

JD-2 Installation Information

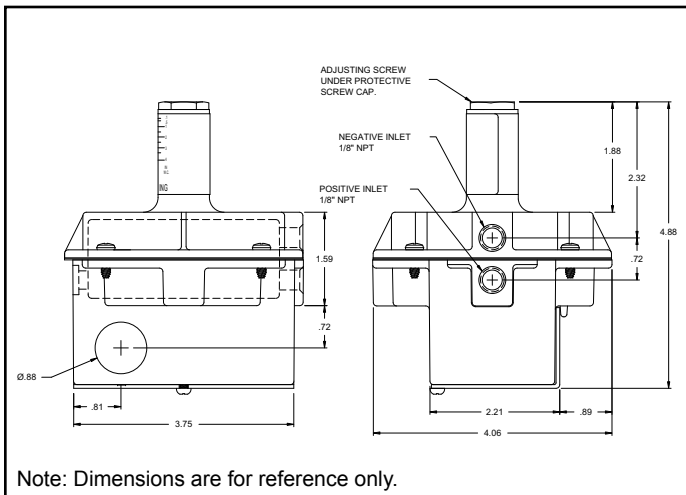
⚠ IMPORTANT ⚠

Please read these instructions carefully to assure correct installation. This equipment must be installed only by a licensed electrician who is experienced with combustion safeguard control systems and understands the functions of interlocking switches, such as gas pressure switches. Prior to being put into operation in conjunction with the combustion safeguard systems, all switches should be tested for proper range setting and proper wiring. Check piping connections and switch house for leaks with a soap bubble test. All exhaust fans and blowers should be inspected and checked for proper rotation prior to starting up.

JD-2 Switches

You are installing one of the finest switches of its type on the market. Design of this switch is based on the same principles of sensitivity, accuracy, and dependability that have made Crossroads Industrial Services Air Flow Switches so successful. These switches are fully approved. They are UL listed and recognized for the U.S. and Canada, and approved by FM.

Dimensions



Range Adjustment

The JD-2 switch is adjustable within its range, as shown on the range scale located on the top of the unit.

Specifications

Blue Spring: .07" to 1.7" W.C. (2 mm to 43 mm)

Grey Spring: 0.1" to 4" W.C. (3 mm to 102 mm)

Purple Spring: 0.1" to 10" W.C. (3mm to 250 mm)

Red Spring: 0.1" to 24" W.C. (3 mm to 600 mm)

Orange Spring: 5" to 35" W.C. (125 mm to 875 mm)

Electrical: 10 A, 1/8 HP, 125 VAC; 5 A, 1/4 HP, 250 VAC; Pilot Duty, 125 VA @ 125-250 VAC.

Field wiring by others must be rated at 194°F (90°C) for industrial use.

Max. Operating Pressure: 35" W.C.

Max. Surge Pressure: 3 PSIG

Max. Ambient Operating Temperature: 140°F (60°C)

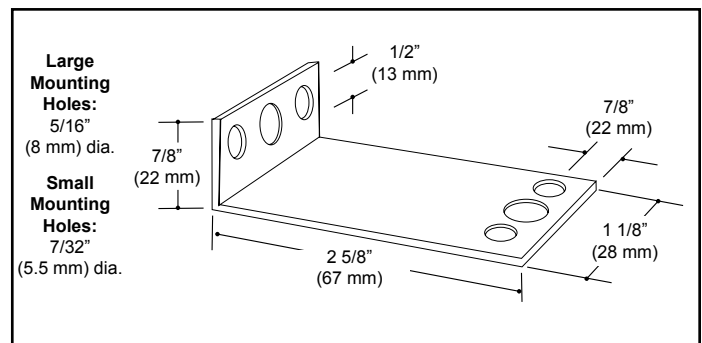
Min. Ambient Operating Temperature: -20°F (-28°C)

Shipping Weight: 1 lbs. (.45 kg)

Switches manufactured by Crossroads Industrial Services are tested, listed, and approved by Underwriters Laboratories File # MH8009-504, Factory Mutual Serial #18221, Canadian Standards Association File #25144.

Mounting

The JD-2 is always mounted with the stem up. An optional mounting bracket can be fastened to the bottom section of the switch housing with a 5/16-18 x 1/2" bolt (supplied with the bracket).



JD-2 Installation Information

Air Connections

Tubing recommended as minimums: 1/4" copper or aluminum tubing, or 1/8" pipe. All tubing and pipe must be clean and free from oil, dirt, and chips. If piping runs over five feet long, use a larger size tubing or pipe, and reduce size at switch.

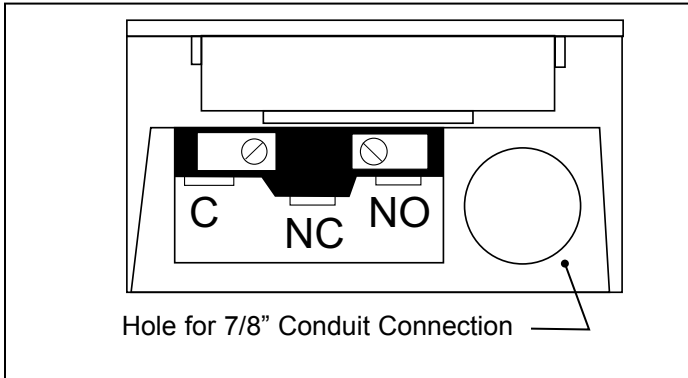
Air Supply

The switch is equipped with two 1/8" NPT connection ports. Connect air supply as shown below. When used for vacuum or pressure applications, the JD-2 must always be vented as shown. No venting is required for differential applications.

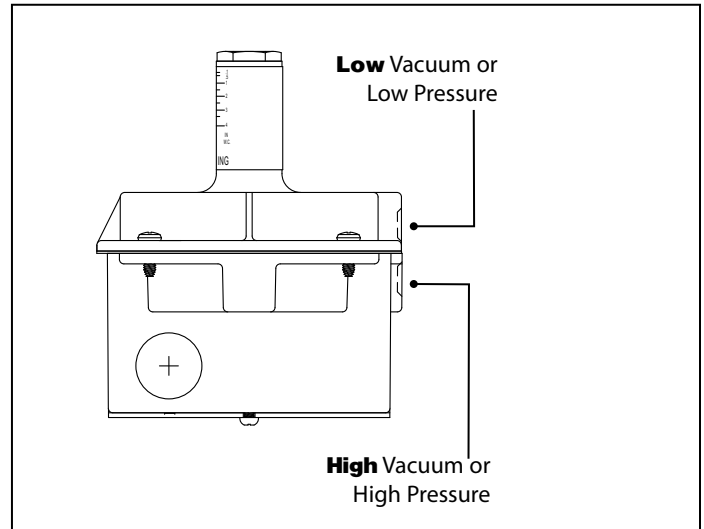
Terminal Connections

| Indicator Position | Terminal |
|--------------------|----------------------------------|
| Off | C and NO open C and NC closed |
| On | C and NO closed C and NC open |

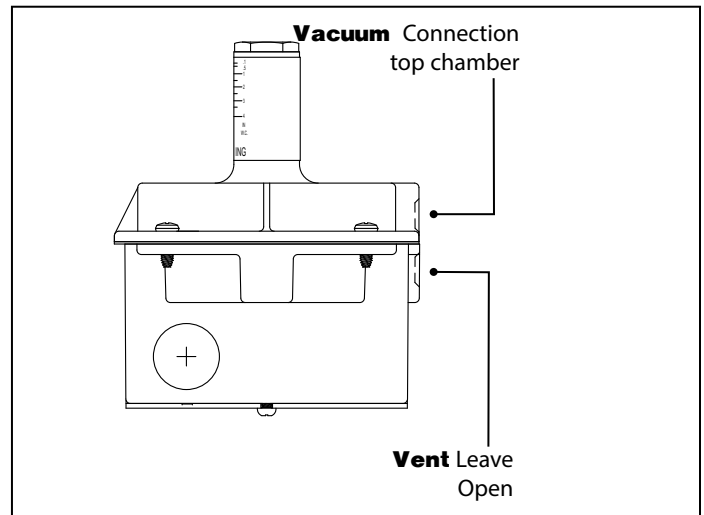
Conduit Connection



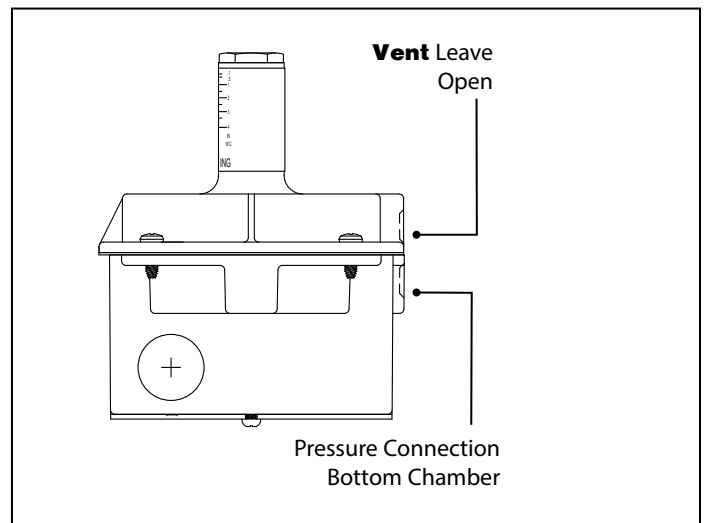
Differential Inlet Connection



Vacuum Only Inlet Connection



Pressure Only Inlet Connection



JD-2 Installation Information

Warranty

1. Crossroads Industrial Services products are guaranteed to be free from mechanical and electrical defects for a period of one year from date of shipment under normal use and service provided installation is made in accordance with manufacturers' recommendations.
2. Parts deemed defective shall be repaired or replaced at manufacturers option and at manufacturers expense but shall not include foreign or federal excise taxes, state or municipal sale or use taxes, all such taxes not limited to the foregoing being responsibility of the purchaser.
3. No charge for travel and/or mileage will be allowed to purchaser.
4. Crossroads Industrial Services reserves the right to make changes in design or make any improvements on any products. The right is always reserved to modify our equipment because of new technology, underwriter's requirements and/or government regulations.
5. The following are not covered under warranty:
 - a. Failure from neglect, abuse, careless handling and mis-application of unit.
 - b. Failure to observe guidelines for installation or improper voltage hook-up.
 - c. Failure caused by improper maintenance.
 - d. Unless specifically allowed by Crossroads Industrial Services, no other charges may be included under warranty.

Limitation of Liability: If it is understood and agreed that seller's liability whether in contract, in tort, under any warranty, in negligence or otherwise, shall not exceed the return of the amount of the purchase price paid by purchaser and under no circumstances shall seller be liable for special, indirect or consequential damages. The price stated for the equipment is a consideration in limiting seller's liability. No action, regardless of form, arising out of the transactions may be brought by purchaser more than one year after the cause of action has accrued.



a division of Crossroads Industrial Services
8302 East 33rd Street, Indianapolis, IN 46226
p/ 317.899.7392 • w/ crossroadsindustrialservices.com
e/ customersupport@crossroadsindustrialservices.com