



KombiSIGN 50 – combine the diversity!

Configurator



Audible element **849**



Permanent light **846**
LED permanent,
or blinking light **848**

(max. 4 signal elements
can be combined)



Terminal element for surface,
tube, single hole and bracket
mounting

Order no.
845 000 00



Bracket for
wall mounting

Order no.
975 845 02



Base for surface
mounting, incl.
rubber seal

Order no.
975 845 01



Adapter
for single hole
mounting

Order no.
975 845 03

Tube Ø 25 mm, all anodized
Order no.
100 mm long **975 845 10**
250 mm long **975 840 25**
400 mm long **975 840 40**
600 mm long **975 840 60**
800 mm long **975 840 80**
1000 mm long **975 840 03**



Base for Tube, plastic
Order no.
975 840 90

Base for Tube, metal
Order no.
975 840 91



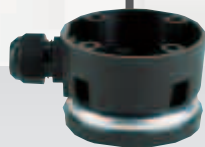
Foldaway
Base

Order no.
960 000 30



Contact box for cable exit
at side

Order no.
975 840 01



Contact box with magnetic
base and cable exit at side

Order no.
975 840 04



Bracket for base mounting with
concealed cable entry

Order no.
960 000 14



Bracket for
tube mounting

Order no.
960 000 01



Base with tube (accessory)



Bracket (accessory)



Base mounting (accessory)

- Signal tower system 50 mm Ø with modular construction
- 360° visibility
- Choice of optical and audible elements
- Order of optical elements interchangeable as required
- Tool-free change of elements and bulbs

i TECHNICAL SPECIFICATIONS:

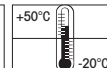
Dimensions (Diameter x Height):	Terminal element: 52 mm x 16 mm Light element: 52 mm x 65 mm Audible element: 52 mm x 72 mm
Housing:	Terminal element: PA fibreglass, high-impact Cap: PC
Dome:	PC, transparent Audible and ASI: PC/ABS-Blend
Fixing:	Base mounting Tube mounting, for tube Ø 25 mm Single hole mounting Bracket mounting
Socket:	Bayonet, B 15 d, for bulb max. 5 W
Connection:	Screwable connection max. 2.5 mm ² Contact protection according to VDE
Cable entry:	Cable diameter max. 10.5 mm
Protection rating:	Light elements: IP 54 Audible elements: IP 54
Number of modules possible:	max. 4
Permanent light element	12 - 240 V _~ Bulb not included in assembly
LED Permanent light element	24 V _~ 115 V _~ 230 V _~ Current consumption: 45 mA 25 mA 25 mA Starting current: < 0.5 A at 24 V
LED Blinking light element	24 V _~ 115 V _~ 230 V _~ Current consumption: 25 mA 25 mA 25 mA Starting current: < 0.5 A at 24 V Blink frequency: c. 1 Hz c. 1 Hz c. 1 Hz

🏠 ACCESSORIES:

see page 73

📐 TECHNICAL DIAGRAMS:

see page 292





Permanent light element



Life duration
up to 100,000 hrs

LED element



Buzzer element

Terminal element
with cap

ORDER SPECIFICATIONS OPTICAL ELEMENTS:

Permanent light	12-240 V		
red	846 100 00		
green	846 200 00		
yellow	846 300 00		
clear	846 400 00		
blue	846 500 00		
LED Permanent light	24 V \approx	115 V \sim	230 V \sim
red	848 100 55	848 100 67	848 100 68
green	848 200 55	848 200 67	848 200 68
yellow	848 300 55	848 300 67	848 300 68
clear	848 400 55	848 400 67	848 400 68
blue	848 500 55	848 500 67	848 500 68
LED Blinking light	24 V \approx	115 V \sim	230 V \sim
red	848 110 75	848 110 67	848 110 68
green	848 210 75	848 210 67	848 210 68
yellow	848 310 75	848 310 67	848 310 68
clear	848 410 75	848 410 67	848 410 68
blue	848 510 75	848 510 67	848 510 68



ORDER SPECIFICATIONS AUDIBLE ELEMENTS:

Buzzer element	24 V \approx	115 V \approx	230 V \sim
80 dB, max. 25 mA, IP 54, continuous or pulse tone, selectable	849 000 75	849 000 77	849 000 68



ORDER SPECIFICATIONS TERMINAL ELEMENTS:

Terminal element	845 000 00
for base mounting, tube mounting, single hole and bracket mounting, including cap	



TECHNICAL DIAGRAMS:

see page 292





ORDER SPECIFICATIONS ACCESSORIES:

Contact box for cable exit at side, with mounting material	975 840 01
Contact box with magnetic base and cable exit at side	975 840 04
Bracket for tube mounting incl. cable gland	960 000 01
Bracket for base mounting with concealed cable entry, incl. rubber seals	960 000 14
Bracket for wall mounting	975 845 02
Tube Ø 25 mm, all anodized aluminium	
100 mm long	975 845 10
250 mm long	975 840 25
400 mm long	975 840 40
600 mm long	975 840 60
800 mm long	975 840 80
1000 mm long	975 840 03
NEW Foldaway Base incl. rubber seals, suitable for tube, Ø 25 mm, all anodized aluminium (Technical specifications see page 48)	960 000 30
Base for tube mounting Ø 25 mm, plastic, incl. rubber seal	975 840 90
Base for tube mounting Ø 25 mm, metal, incl. rubber seal	975 840 91
Base for surface mounting, incl. rubber seal	975 845 01
Adapter for single hole mounting M 18	975 845 03



TECHNICAL DIAGRAMS:

see page 292





ORDER SPECIFICATIONS:

Indication Board

- Indication Board for one to five modules
- Simple mounting onto signal tower tube
- Ample space for written information
- Simply break off unwanted segments

Dimensions of indication board (W x H): 153 x 345 mm

Surface area per section (W x H): c. 140 x 50 mm

Material: PMMA

Assembly: Indication board (5 sections)
incl. mounting material

Mounting: Fixing only possible on 25 mm diameter tube

Indication board **960 000 05**LED bulb BA 15d,
Total length max. 42 mm

Voltage	24 V ≈	115 V ~	230 V ~
Current consumpt.	< 45 mA	< 15 mA	< 15 mA
red	956 100 75	956 100 67	956 100 68
green	956 200 75	956 200 67	956 200 68
yellow	956 300 75	956 300 67	956 300 68
white	956 400 75	956 400 67	956 400 68
blue	956 500 75	956 500 67	956 500 68

Bulb BA 15d,
Total length max. 42 mm

12 V, 5 Watt	955 840 34
24 V, 5 Watt	955 840 35
30 V, 5 Watt	955 840 32
115 V, 5 Watt	955 840 57
230 V, 5 Watt	955 840 38



ADDITIONAL INFORMATION:

You will find an overview of the entire range of accessories for KombiSIGN Signal Towers on pages 76 and 77.



TECHNICAL DIAGRAMS:

see page 292 + 294



Cable not included in assembly



The KombiSIGN 50 Signal Tower with AS-Interface Element is capable of total communication: Through simple integration of an AS-Interface Element the actuators are connected to the networking system Actuator-Sensor-Interface – this considerably reduces complex wiring. This element is mounted as the first tier of the individual signal tower directly on top of the terminal element. (Further Information see page 11).

i TECHNICAL SPECIFICATIONS:

	AS-Interface Element with additional external voltage
Number of signal elements	max. 4
Type of signal elements	Permanent light elements LED elements Buzzer elements
IO-Code	8
ID-Code	F
Power supply	via bus conduction
Operating voltage	25 V ... 31.6 V
Current consumption I _{max}	50 mA
Polarity reversal protection	integrated
Watchdog	integrated
Outputs	4, relays
On-load voltage	additional external voltage: 10 V...30 V ⁼⁼ 10 V...230 V [~]
Current carrying cap. Σ I _{max}	1.5 A
Short circuit/overload pro.	fuse M 1.6 A



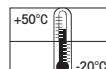
ORDER SPECIFICATIONS AS-INTERFACE-ELEMENT KOMBISIGN 50:

AS-Interface-Element with add. external voltage	845 800 68
--	-------------------



TECHNICAL DIAGRAMS:

see page 292

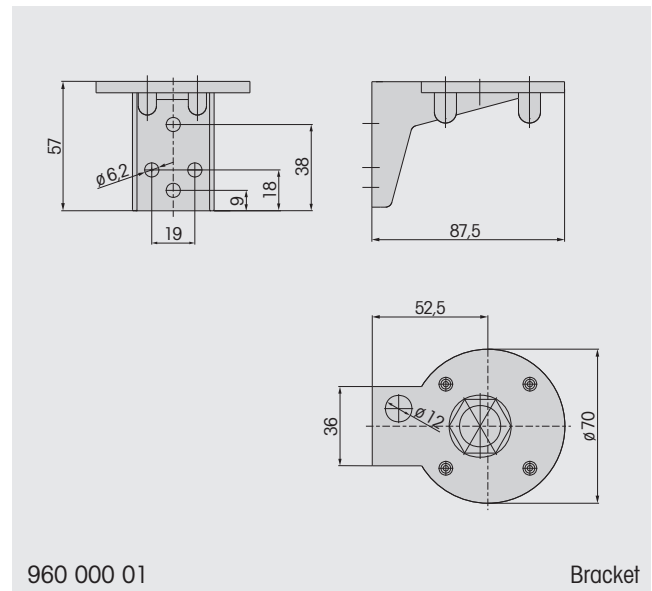
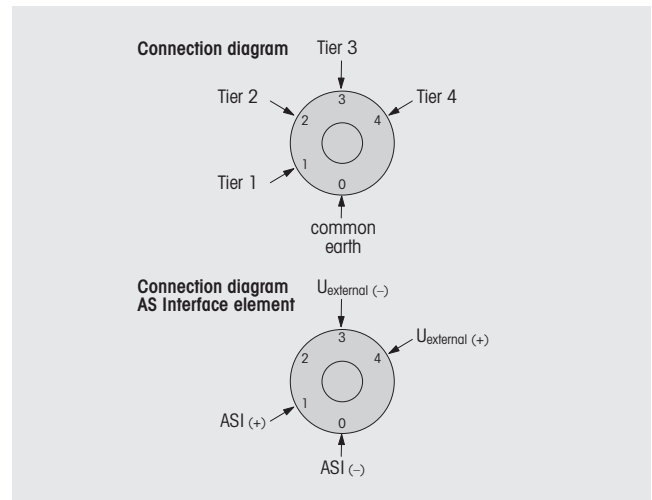
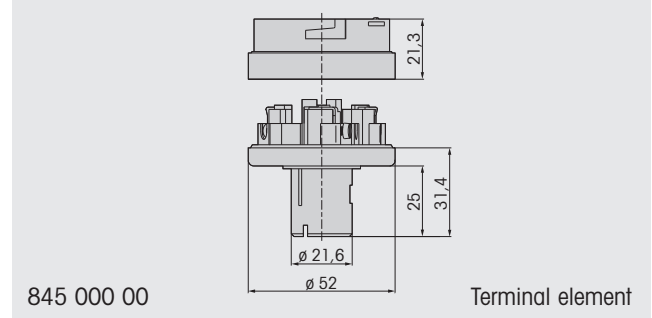
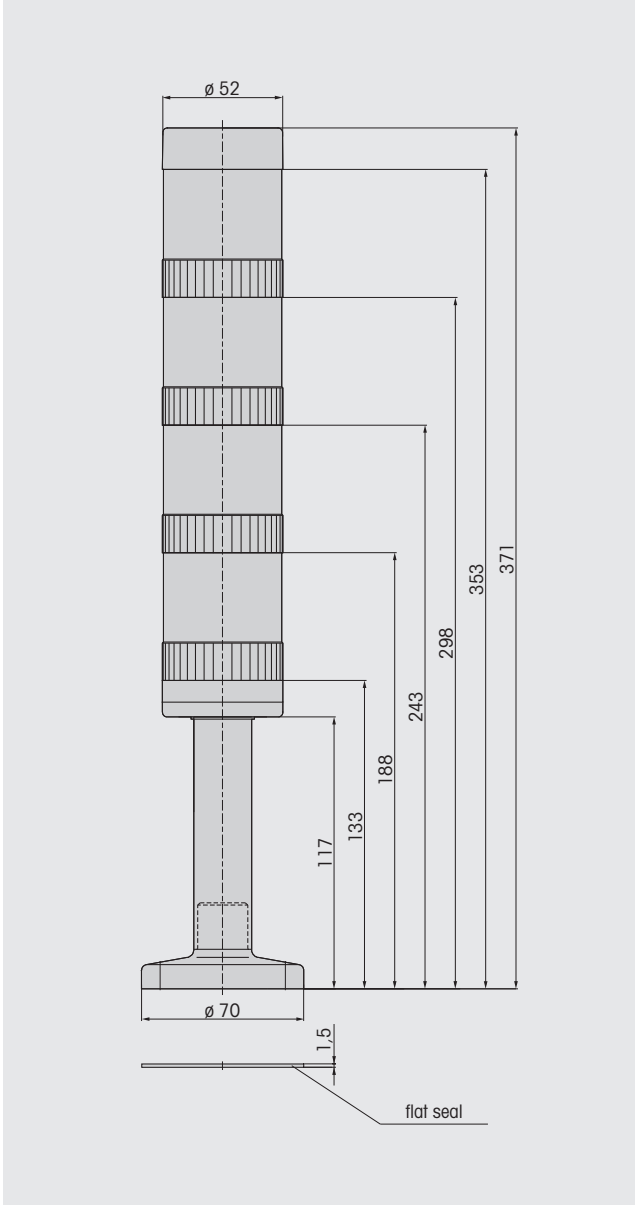


Technical Diagrams

845

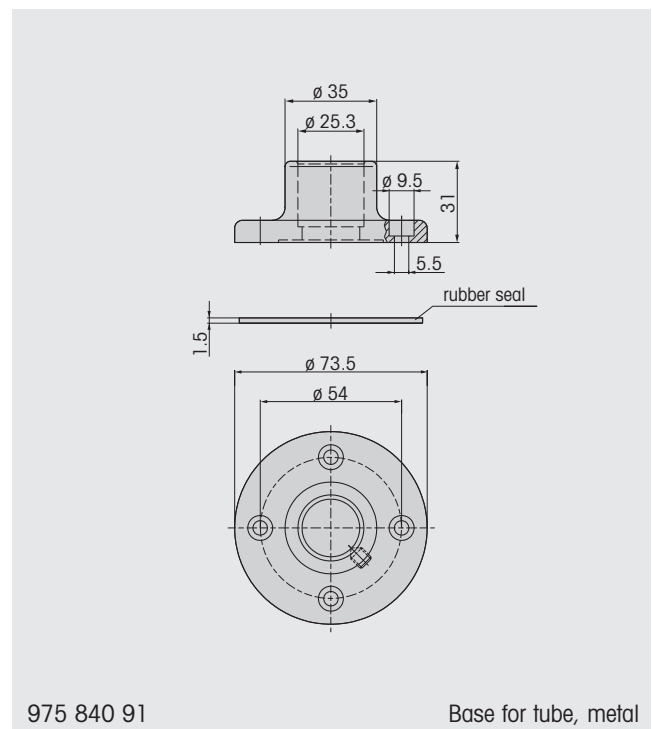
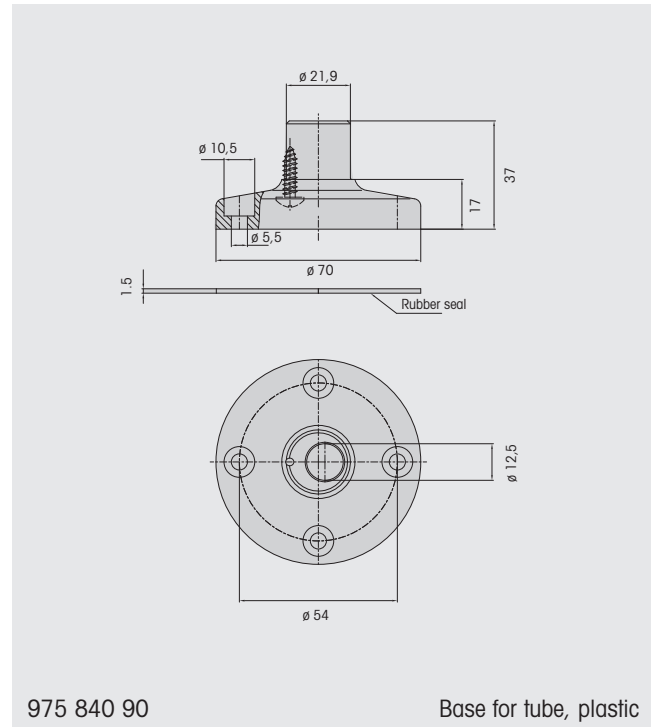
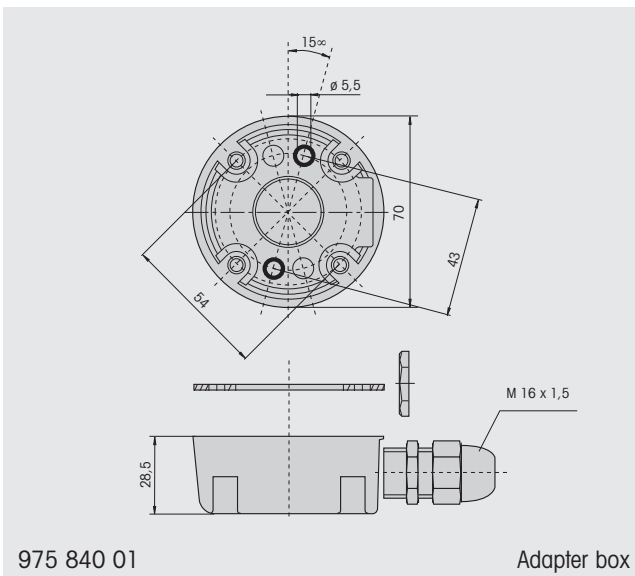
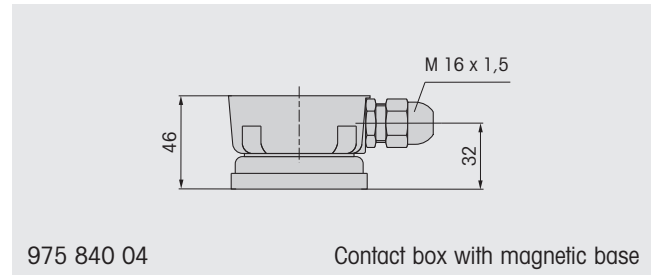
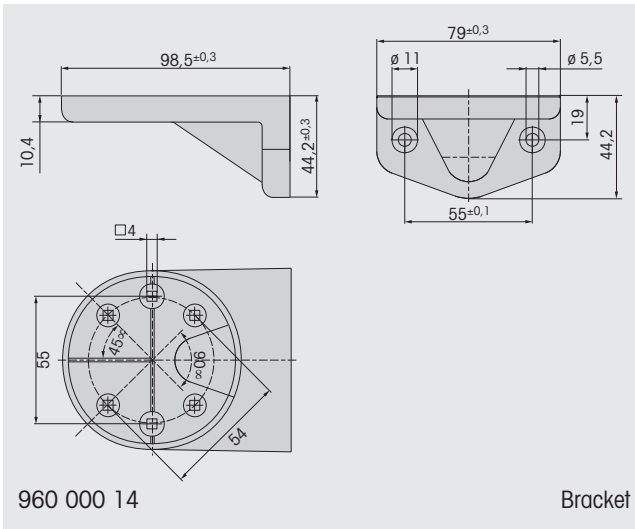
KombiSIGN 50

845 Accessories



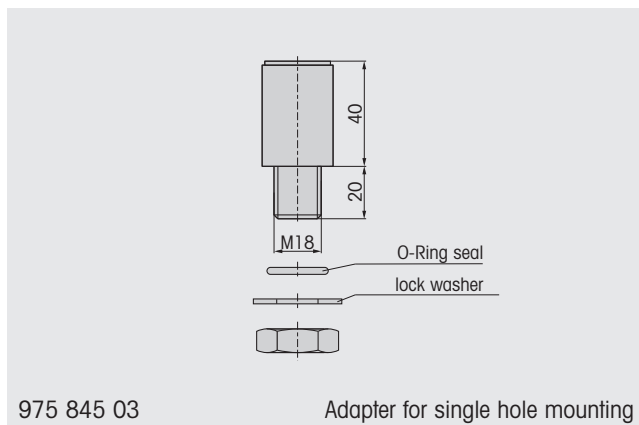
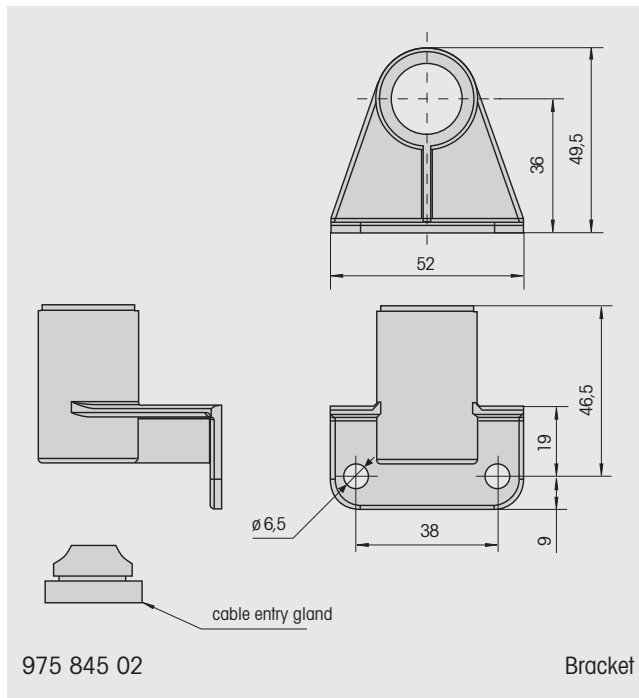
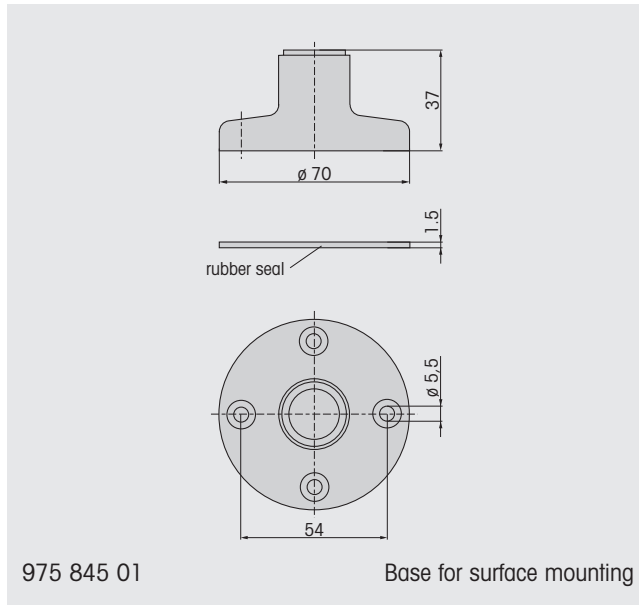
Technical Diagrams

845 Accessories



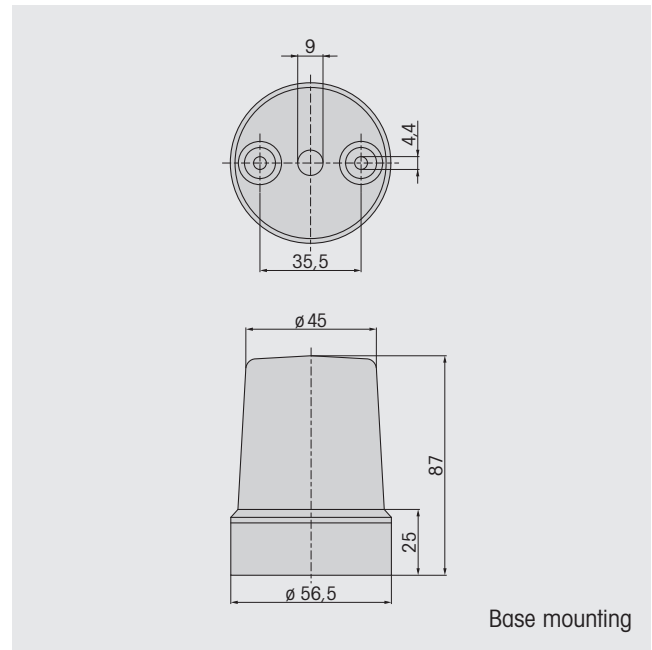
Technical Diagrams

845 Accessories



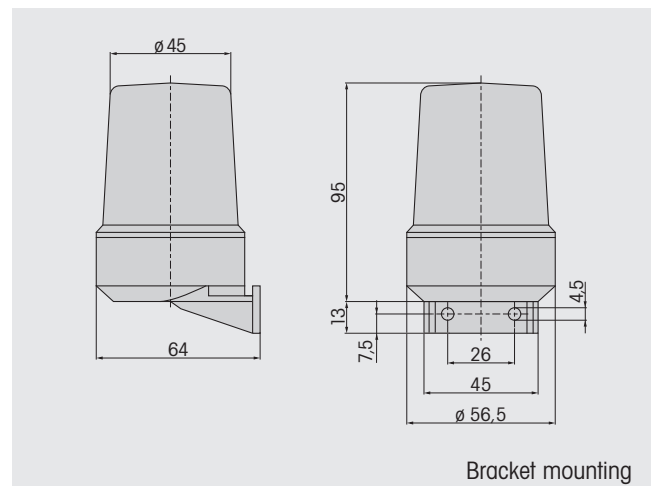
850

Permanent Beacon



851

Permanent Beacon



852

Permanent Beacon

