

Mini / Multicolour

MC55 RGB Blinking Buzzer Cable 10-30VDC

Part No.: 240.130.50



| MECHANICAL DATA | |
|-----------------------------|---------------------|
| Height | 71 mm |
| Diameter | 55 mm |
| Materials | PC PC/ABS |
| Dome colour | Clear |
| Housing colour | Black |
| Protection category | IP65 |
| Connection | Cable |
| Cable length | 1450 mm |
| Tension relief | Pull-out protection |
| Type of fixing | Built-in mounting |
| Working temperature minimum | -20°C |
| Working temperature maximum | +50°C |
| Weight with packaging | 120 g |
| Product weight | 120 g |

| ELECTRICAL DATA | |
|-----------------------------|--------------------------------|
| Operating voltage | 10-30V |
| Operating voltage type | DC |
| Operating voltage tolerance | +/- 0% |
| Rated operational voltage | 24 VDC |
| Rated operational current | 80 mA |
| Rated inrush current | <700mA |
| Protection class | Protection class 2 |
| Pollution degree | 3 In the connection area: 2 |

| OPTICAL DATA | |
|----------------------|--------------------|
| Light source | LED |
| Light colour | MC 7 colours |
| Optical signal image | Blink Permanent |
| Blink frequency (Hz) | 1 Hz |
| Service life optical | 50,000 h maximum |

| ACUSTICAL DATA | |
|-------------------------------|-------------|
| Volume/dB(max) at 1m distance | 85,0 dB (A) |
| Acoustic signal image | Pulse tone |
| Number of tones | 1 tone |
| Audio frequency | 3400 Hz |



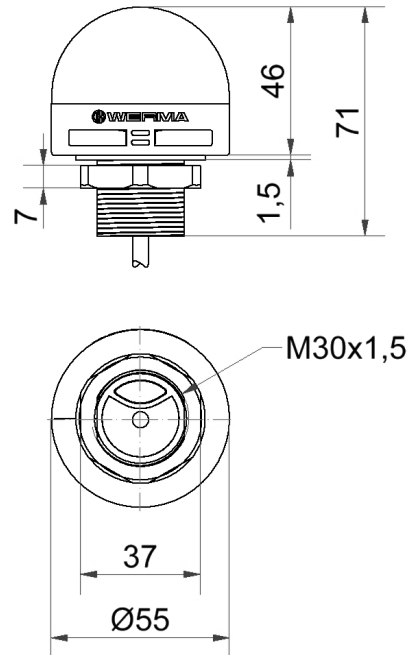
For additional installation and mounting information, refer to the appropriate user guide at www.werma.com. This printed copy is for information only and is subject to alteration.

Mini / Multicolour

MC55 RGB Blinking Buzzer Cable 10-30VDC

| | |
|-----------------------|-----------------|
| Acoustic service life | 5,000 h minimum |
|-----------------------|-----------------|

DRAWING



For additional installation and mounting information, refer to the appropriate user guide at www.werma.com. This printed copy is for information only and is subject to alteration.