

Design multi-tone sounder / Multi-t.sounder 140

Multi-t.sounder WM 32 tne 9-28VDC RD

Part No.: 140.150.50

**MECHANICAL DATA**

Height	110 mm
Diameter	100 mm
Materials	PC/ABS
Housing colour	Red
Protection category	IP65
Connection	Screw terminals
cross-sectional area maximum	2,50mm ² / 14AWG
Cable entry	Through hole
Type of fixing	Wall mounting
Acoustic service life	5,000 h minimum
Working temperature minimum	-40°C
Working temperature maximum	+70°C
Weight with packaging	315 g
Product weight	272 g

ELECTRICAL DATA

Operating voltage	9-28V
Operating voltage type	DC
Operating voltage tolerance	+/- 0%
Rated operational voltage	24 VDC
Rated operational current	120 mA
Rated inrush current	1.400 mA
Protection class	Protection class 2
Pollution degree	3

ACUSTICAL DATA

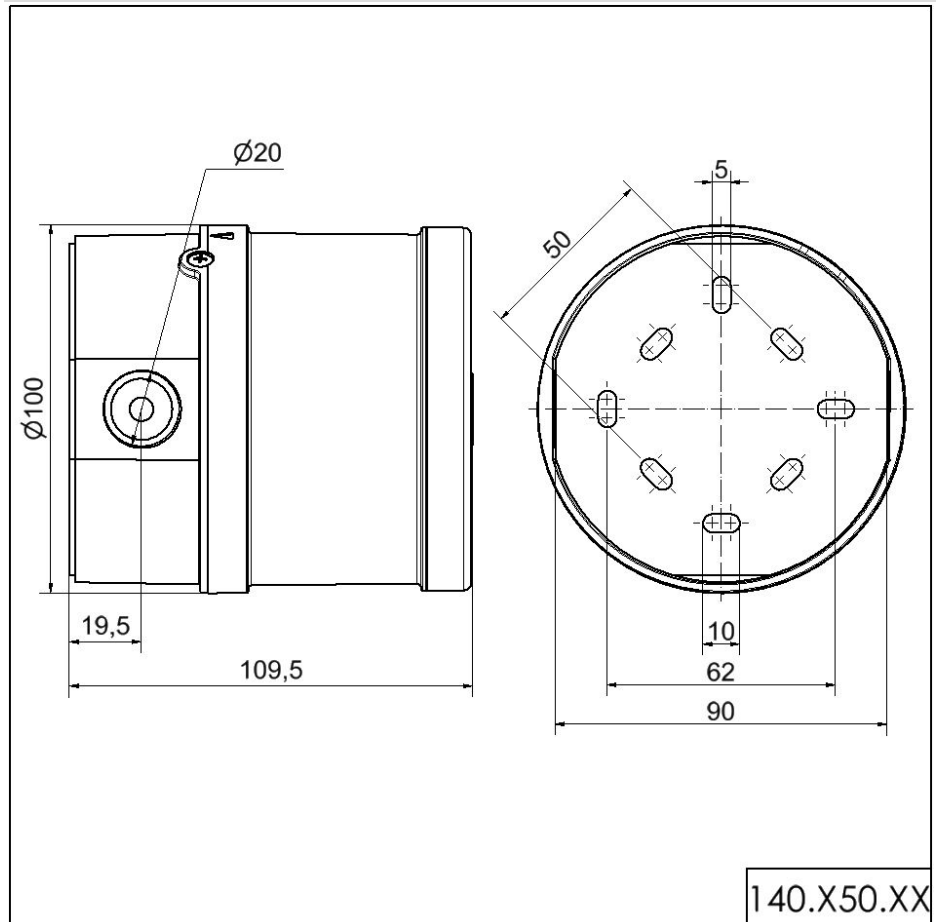
Volume/dB(max) at 1m distance	115,0 dB (A)
Acoustic signal image	Multi-tone
Number of tones	32 tone



For additional installation and mounting information, refer to the appropriate user guide at www.werma.com. This printed copy is for information only and is subject to alteration.

Design multi-tone sounder / Multi-t.sounder 140
Multi-t.sounder WM 32 tne 9-28VDC RD

DRAWING



140.X50.XX

! For additional installation and mounting information, refer to the appropriate user guide at www.werma.com. This printed copy is for information only and is subject to alteration.