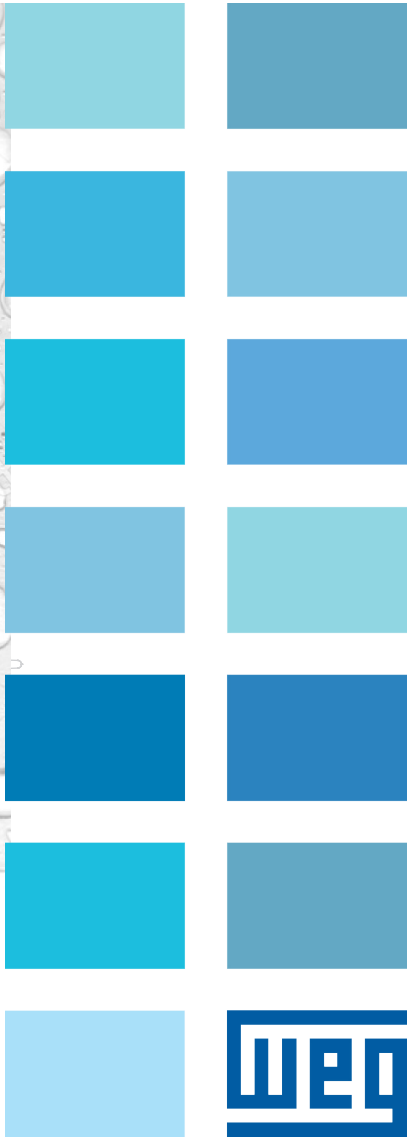


Washdown Motors & Drives

Optimal Match for the Toughest Washdown Applications



Four Choices to Reduce Your Washdown Motor Replacement Costs

We offer four motor choices to provide you with the performance, durability and economy you need for specific washdown applications. This offers you more choices to lower your motor replacement costs and increase your return-on-investment.

Encapsulated Washdown Motors

Encapsulated winding and a patented sealing system to ensure they will “standup” in the most severe applications.

Hydroduty™



The Ultimate Washdown Motor

- This is the ultimate stainless steel waterproof motor. It has been proven to provide 75% more cycles than other brands through extreme environment testing.
- Significantly reduces motor replacement and downtime costs
- Meets NEMA MG1 Part 31 for Invert Duty operation; 10:1 CT; 10:1 VT



Performance Specifications

- 1/2 to 5 hp, 860, 1140, 1725 or 3450 RPM
- TENV or TEFC enclosures
- NEMA Frames 56C, 143TC, 145TC and 182TC
- Metric Frame 80-B5 and 100L
- Meets IP69K enclosure protection

PickerPlus™



Severe Duty Feather Picker Motor

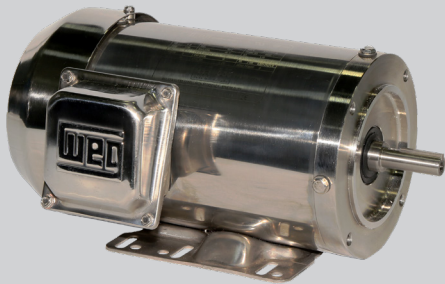
- Withstands frequent sanitizing with high pressure sprays and caustic fluids.
- Designed to withstand extreme side loading requirements

Performance Specifications

- 3 hp, 1725 RPM
- TEFC enclosure
- 145TC NEMA or 100L Metric Frames
- Footless or Base Mounted
- C-Face
- Meets IP69K enclosure protection

General Purpose Washdown Motors

Shark™



Stainless Steel Washdown Motor

- For use in food processing, pharmaceutical and other applications requiring extreme cleanliness
- Class F epoxy insulation
- Meets NEMA MG1 Part 31 for Invert Duty operation; 6:1 CT; 10:1 VT

Performance Specifications

- 1-10 hp NEMA Premium
- 1800 and 3600 RPM
- TEFC enclosures
- Frames 143TC to 215TC
- Base Mounted
- Meets IP55 enclosure protection

HydroWash™



White Painted Washdown Motor

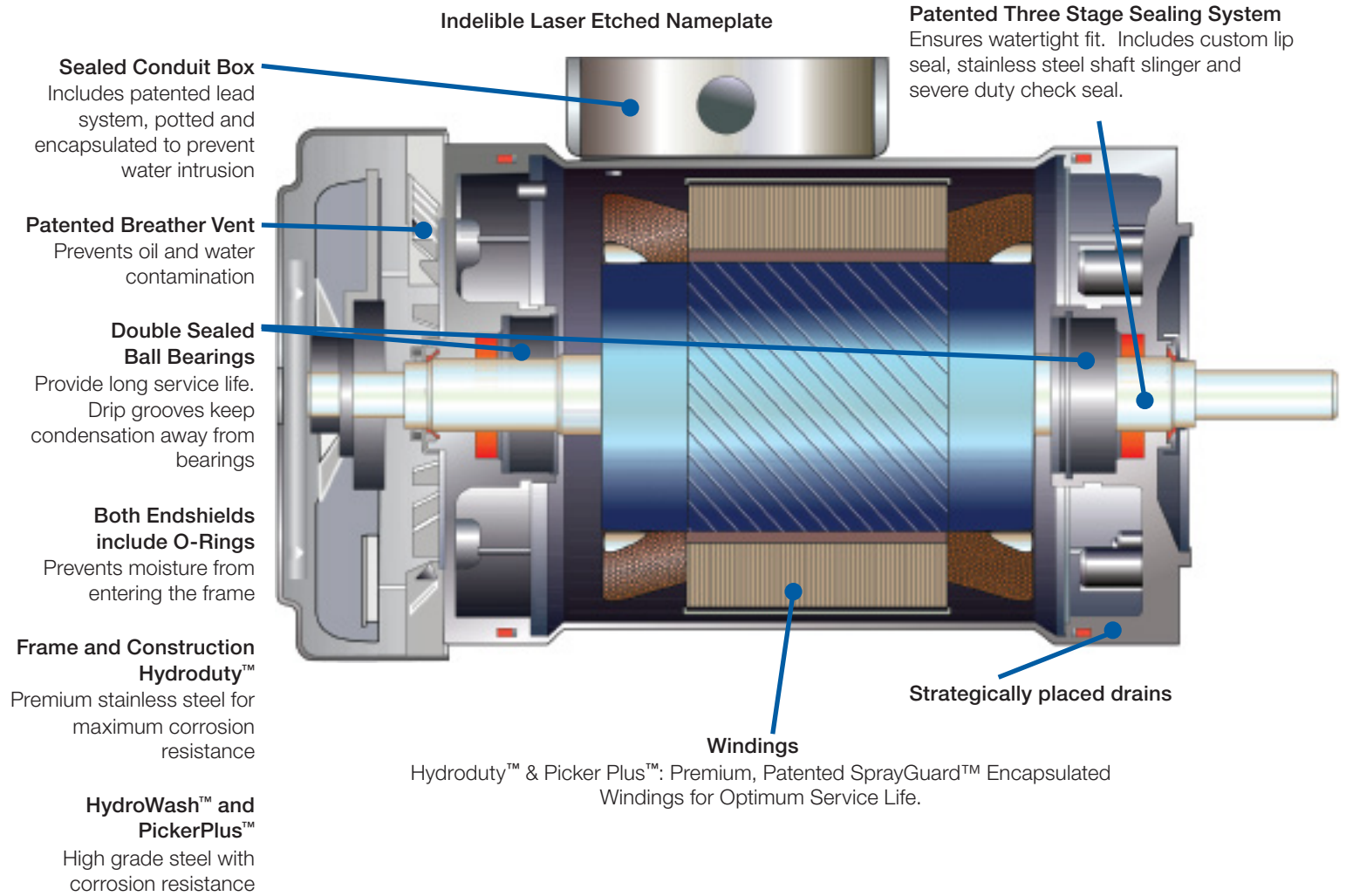
- Designed for long service life in general purpose washdown applications
- It provides extended service life that can reduce your downtime costs for motor replacement
- Meets NEMA MG1 Part 31 for Invert Duty operation; 6:1 CT; 10:1 VT

Performance Specifications

- 1/2 to 2 hp, 1725 RPM
- Ratings up to 20 HP available soon
- TENV or TEFC enclosures
- NEMA Frames 56C or 145TC
- Footless or Base Mounted
- Meets IP56 enclosure protection

Severe Duty Washdown Motors

Designed and Built to Last Longer



Trust WEG for the Toughest - Longest Lasting Motors for Washdown Applications

- **Built Durable** Withstands frequent sanitizing with high pressure sprays and extreme side loading requirements especially designed for severe duty washdown applications.
- **Economical** Long lasting design that outperforms any other motor on the market. Extended service life that can save you thousands of dollars in downtime costs.
- **Best Warranty** We stand by our motors with the best warranties in the business; 12 months from date of the first installation or 24 months from date on motor nameplate. Specific to HydroDuty motors this warranty will also cover all water-related motor failures resulting from typical sanitary washdown procedures for the aforementioned period of time.





Find the **Optimal Match** for your **HydroDuty™** Motor on page 6



C-Face - Foot Mount

HP	RPM	Frame	Standard Model ¹	EZ Connect Model	List Price	Multi.	Enclosure	HZ	SF	FL Amps @ High	C Dim Standard/EZ Model	KVA Code	Appr. Ship Wt (lbs.)
0.5	3450/2875	56C	1323007112		\$1,416	S3	TENV	60	1.15	0.80	11.4	N	46
	1725/1425	56C	1321007115	1321087115	\$1,439	S3	TENV	60	1.00	0.90	11.40/12.87	M	45
	1140/950	56C	1311017133	1311087133	\$1,694	S3	TEFC	60	1.15	1.10	13.99/13.88	K	52
0.75	3450/2875	56C	1323007110	1323087110	\$1,460	S3	TENV	60	1.15	1.10	12.15/12.87	N	52
	1725/1425	56C	1321007113	1321087113	\$1,483	S3	TENV	60	1.00	1.20	12.15/12.87	M	50
	1725/1425	56C	1311017121	1311087121	\$1,544	S3	TEFC	60	1.15	1.30	13.24/13.88	M	46
	860	56C	1311017159	1311087159	\$1,794	S3	TEFC	60	1.00	2.70	15.42/15.63	N	61
1	3450/2875	56C	1313017156	1313087156	\$1,601	S3	TEFC	60	1.15	1.50	13.24/13.88	M	48
	1725/1425	56C	1321007112	1321087112	\$1,591	S3	TENV	60	1.00	1.60	13.15/13.62	M	58
	1725/1425	56C	1311017115	1311087115	\$1,619	S3	TEFC	60	1.15	1.60	14.49/14.63	L	53
	1725/1425	56C	1321007139**	1321087139**	\$1,696	S3	TENV	60	1.00	1.60	13.15/13.62	M	58
	1725/1425	56C	1321007119	1321087119	\$1,615	S3	TENV	60	1.00	1.60	13.22/13.68	M	58
	1725/1425	143TC	1311017124	1311087124	\$1,642	S3	TEFC	60	1.15	1.60	14.60/14.69	L	53
	1140/950	56C	1311017138	1311087138	\$1,875	S3	TEFC	60	1.15	1.90	15.49/15.63	J	62
	1140/950	145TC	1311017130	1311087130	\$1,886	S3	TEFC	60	1.15	1.90	15.56/15.69	J	62
1.5	3450/2875	56C	1313017154	1313087154	\$1,658	S3	TEFC	60	1.15	2.30	13.24/13.88	M	49
	1725/1425	56C	1311017110	1311087110	\$1,683	S3	TEFC	60	1.15	2.20	15.49/15.63	K	55
	1725/1425	145TC	1311017111	1311087111	\$1,706	S3	TEFC	60	1.15	2.20	15.56/15.69	K	55
2	3450/2875	56C	1313017152	1313087152	\$1,958	S3	TEFC	60	1.15	2.90	13.99/14.63	M	54
	3450/2875	145TC	1313017153	1313087153	\$1,976	S3	TEFC	60	1.15	2.90	14.06/14.69	M	54
	1725/1425	56C	1311017114	1311087114	\$1,981	S3	TEFC	60	1.15	2.80	15.49/15.63	K	62
	1725/1425	145TC	1311017113	1311087113	\$2,005	S3	TEFC	60	1.15	2.80	15.56/15.69	K	62
3	1725	184TC	H311007111		\$4,210	S3	TEFC	60	1.15	4.30	19.09	N	113
5	1725	184TC	H311007110		\$4,953	S3	TEFC	60	1.00	6.70	19.09	J	121

**Low temperature ratings

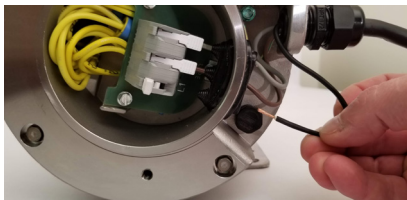
All ratings are 208-230/460; 40° C ambient; Class F insulation

56 and 145 Frame models also rated 230/460, 50HZ, 1.0SF

¹ Standard model available until inventory is depleted.



1. Insert the incoming power leads thru the waterproof Seal.



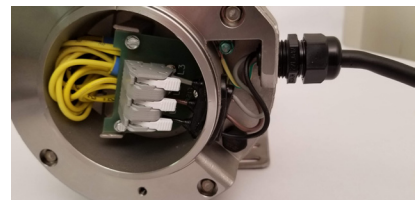
1

2. Grommets automatically align the leads to the correct slot.



2

3. Push the levers closed.



3



Find the **Optimal Match** for your **HydroDuty™** Motor on page 7



C-Face - Footless

HP	RPM	Frame	Standard Model ¹	EZ Connect Model	List Price	Multi.	Enclosure	HZ	SF	FL Amps @ High	C Dim Standard/EZ Model	KVA Code	Appr. Ship Wt (lbs.)
.5	1725/1425	56C	1321007121	1321087121	\$1,421	S3	TENV	60	1.00	0.85	11.400/12.8	M	44
	3450/2875	56C	1323007114	1323087114	\$1,443	S3	TENV	60	1.15	1.10	12.150/12.8	N	51
0.75	1725/1425	56C	1321007117	1321087117	\$1,465	S3	TENV	60	1.00	1.20	12.150/12.8	M	49
	1725/1425	56C	1311017122	1311087122	\$1,526	S3	TEFC	60	1.15	1.30	13.240/13.88	M	45
1	3450/2875	56C	1313017161	1313087161	\$1,581	S3	TEFC	60	1.15	1.50	13.240/13.88	M	47
	1725/1425	56C	1321007125	1321087125	\$1,572	S3	TENV	60	1.00	1.60	13.150/13.62	M	57
	1725/1425	56C	1321007140**	1321087140**	\$1,676	S3	TENV	60	1.00	1.60	13.150/13.62	M	58
	1725/1425	56C	1311017123	1311087123	\$1,601	S3	TEFC	60	1.15	1.60	13.990/14.63	L	52
	1725/1425	143TC	1321007124	1321087124	\$1,595	S3	TENV	60	1.00	1.60	13.220/13.62	M	57
	1725/1425	143TC	1311017125	1311087125	\$1,626	S3	TEFC	60	1.15	1.60	14.060/14.69	L	52
	1725	100L	1321007158	1321087158	\$1,891	S3	TENV	60	1.00	1.60	13.440/13.91	M	52
	1725/1425	80-B5	1311017152	1311087152	\$1,879	S3	TEFC	60	1.15	1.60	14.800/15.47	L	58
1.5	1725/1425	56C	1311017117	1311087117	\$1,663	S3	TEFC	60	1.15	2.20	14.490/15.63	K	54
	1725/1425	145TC	1311017118	1311087118	\$1,688	S3	TEFC	60	1.15	2.20	14.560/15.56	K	54
2	1725/1425	56C	1311017119	1311087119	\$1,962	S3	TEFC	60	1.15	2.80	15.490/15.63	K	61
	1725/1425	145TC	1311017120	1311087120	\$1,985	S3	TEFC	60	1.15	2.80	15.560	K	61
3	1725	148TC	H311007113		\$4,155	S3	TEFC	60	1.15	4.30	19.09	N	112
5	1725	184TC	H311007112		\$4,924	S3	TEFC	60	1.00	6.70	19.09	L	120

**Low temperature ratings

All ratings are 208-230/460; 40° C ambient; Class F insulation

56 and 145 Frame models also rated 230/460, 50HZ, 1.0SF

¹ Standard model available until inventory is depleted.

Encapsulated Washdown Motors Hydroduty™ Motor and CFW08 Washdown Drive Quick Selection Guide

Optimal Match



C-Face Foot Mount

HP	RPM	Volts	Standard Model	EZ Connect Model	Motor List Price	FL Amps @ high	230V Drive	Drive List Price	460V Drive	Drive List Price
0.5	3600	230/460	1323007112		\$1,416	0.80	CFW080073BDN4A1Z	\$929	CFW080027TGN4A1Z	\$894
	1800	230/460	1321007115	1321087115	\$1,439	0.85	CFW080073BDN4A1Z	\$929	CFW080027TGN4A1Z	\$894
	1200	230/460	1311017133	1311087133	\$1,694	1.10	CFW080073BDN4A1Z	\$929	CFW080027TGN4A1Z	\$894
0.75	3600	230/460	1323007110	1323087110	\$1,460	1.10	CFW080073BDN4A1Z	\$929	CFW080027TGN4A1Z	\$894
	1800	230/460	1321007113	1321087113	\$1,483	1.20	CFW080073BDN4A1Z	\$929	CFW080027TGN4A1Z	\$894
	1800	230/460	1311017121	1311087121	\$1,544	1.30	CFW080073BDN4A1Z	\$929	CFW080027TGN4A1Z	\$894
	900	460	1311017159	1311087159	\$1,794	2.70			CFW080027TGN4A1Z	\$894
1	3600	230/460	1313017156	1313087156	\$1,601	1.50	CFW080073BDN4A1Z	\$929	CFW080027TGN4A1Z	\$894
	1800	230/460	1321007112	1321087112	\$1,591	1.60	CFW080073BDN4A1Z	\$929	CFW080027TGN4A1Z	\$894
	1800	230/460	1311017115	1311087115	\$1,619	1.60	CFW080073BDN4A1Z	\$929	CFW080027TGN4A1Z	\$894
	1800	230/460	1321007139	1321087139	\$1,696	1.60	CFW080073BDN4A1Z	\$929	CFW080027TGN4A1Z	\$894
	1800	230/460	1321007119	1321087119	\$1,615	1.60	CFW080073BDN4A1Z	\$929	CFW080027TGN4A1Z	\$894
	1800	230/460	1311017124	1311087124	\$1,642	1.60	CFW080073BDN4A1Z	\$929	CFW080027TGN4A1Z	\$894
	1200	230/460	1311017138	1311087138	\$1,875	1.90	CFW080073BDN4A1Z	\$929	CFW080027TGN4A1Z	\$894
	1200	230/460	1311017130	1311087130	\$1,886	1.90	CFW080073BDN4A1Z	\$929	CFW080027TGN4A1Z	\$894
1.5	3600	230/460	1313017154	1313087154	\$1,658	2.30	CFW080073BDN4A1Z	\$929	CFW080027TGN4A1Z	\$894
	1800	230/460	1311017110	1311087110	\$1,683	2.20	CFW080073BDN4A1Z	\$929	CFW080027TGN4A1Z	\$894
	1800	230/460	1311017111	1311087111	\$1,706	2.20	CFW080073BDN4A1Z	\$929	CFW080027TGN4A1Z	\$894
2	3600	230/460	1313017152	1313087152	\$1,958	2.90	CFW080073BDN4A1Z	\$929	CFW080043TGN4A1Z	\$1,118
	3600	230/460	1313017153	1313087153	\$1,976	2.90	CFW080073BDN4A1Z	\$929	CFW080043TGN4A1Z	\$1,118
	1800	230/460	1311017114	1311087114	\$1,981	2.80	CFW080073BDN4A1Z	\$929	CFW080043TGN4A1Z	\$1,118
	1800	230/460	1311017113	1311087113	\$2,005	2.80	CFW080073BDN4A1Z	\$929	CFW080043TGN4A1Z	\$1,118
3	1800	230/460	H311007111		\$4,210	4.30	CFW080100BDN4A1Z	\$1,039	CFW080065TGN4A1Z	\$1,331
5	1800	230/460	H311007110		\$4,953	6.70	CFW080160TDN4A1Z	\$1,228	CFW080100TGN4A1Z	\$1,516

Optimal Match



Encapsulated Washdown Motors Hydroduty™ Motor and CFW08 Washdown Drive Quick Selection Guide

C-Face Footless

HP	RPM	Volts	Standard Model	EZ Connect Model	Motor List Price	460V Amps	230V Drive	Drive List Price	460V Drive	Drive List Price
0.50	1800	230/460	1321007121	1321087121	\$1,421	0.90	CFW080073BDN4A1Z	\$929	CFW080027TGN4A1Z	\$894
0.75	3600	230/460	1323007114	1323087114	\$1,443	1.10	CFW080073BDN4A1Z	\$929	CFW080027TGN4A1Z	\$894
	1800	230/460	1321007117	1321087117	\$1,465	1.20	CFW080073BDN4A1Z	\$929	CFW080027TGN4A1Z	\$894
		230/460	1311017122	1311087122	\$1,526	1.30	CFW080073BDN4A1Z	\$929	CFW080027TGN4A1Z	\$894
1	3600	230/460	1313017161	1313087161	\$1,581	1.50	CFW080073BDN4A1Z	\$929	CFW080027TGN4A1Z	\$894
		230/460	1321007125	1321087125	\$1,572	1.60	CFW080073BDN4A1Z	\$929	CFW080027TGN4A1Z	\$894
	1800	230/460	1321007140	1321087140	\$1,676	1.60	CFW080073BDN4A1Z	\$929	CFW080027TGN4A1Z	\$894
		230/460	1311017123	1311087123	\$1,601	1.60	CFW080073BDN4A1Z	\$929	CFW080027TGN4A1Z	\$894
		230/460	1321007124	1321087124	\$1,595	1.60	CFW080073BDN4A1Z	\$929	CFW080027TGN4A1Z	\$894
		230/460	1311017125	1311087125	\$1,626	1.60	CFW080073BDN4A1Z	\$929	CFW080027TGN4A1Z	\$894
		230/460	1321007158	1321087158	\$1,891	1.60	CFW080073BDN4A1Z	\$929	CFW080027TGN4A1Z	\$894
		230/460	1311017152	1311087152	\$1,879	1.60	CFW080073BDN4A1Z	\$929	CFW080027TGN4A1Z	\$894
1.5	1800	230/460	1311017117	1311087117	\$1,663	2.20	CFW080073BDN4A1Z	\$929	CFW080027TGN4A1Z	\$894
		230/460	1311017118	1311087118	\$1,688	2.20	CFW080073BDN4A1Z	\$929	CFW080027TGN4A1Z	\$894
2	1800	230/460	1311017119	1311087119	\$1,962	2.80	CFW080073BDN4A1Z	\$929	CFW080043TGN4A1Z	\$1,118
		230/460	1311017120	1311087120	\$1,985	2.80	CFW080073BDN4A1Z	\$929	CFW080043TGN4A1Z	\$1,118
3	1800	230/460	H311007113		\$4155	4.30	CFW080100BDN4A1Z	\$1,039	CFW080065TGN4A1Z	\$1,331
5	1800	230/460	H311007112		\$4294	6.70	CFW080160TDN4A1Z	\$1,228	CFW080100TGN4A1Z	\$1,516

PickerPlus™



C-Face - Foot Mount

HP	RPM	Frame	Catalog Number	List Price	Multi.	Base	Enclosure	HZ	SF	FL Amps	C Dim	KVA Code	Appr. Ship Wt (lbs.)
3	1725	145TC	1311017192	\$1,736	S3	Y	TEFC	60	1.00	8.80/4.40	15.560	J	68
	1725	100L-B14	1311017196	\$1,852	S3	Y	TEFC	60	1.00	8.80/4.40	15.780	J	68

C-Face - Footless

HP	RPM	Frame	Catalog Number	List Price	Multi.	Base	Enclosure	HZ	SF	FL Amps	C Dim	KVA Code	Appr. Ship Wt (lbs.)
3	1725	100L-B14	1311017195	\$1,803	S3	N	TEFC	60	1.00	8.80/4.40	15.780	J	66
	1725	100L-B5	1311017191	\$1,820	S3	N	TEFC	60	1.00	8.80/4.40	16.180	J	71

Shark™



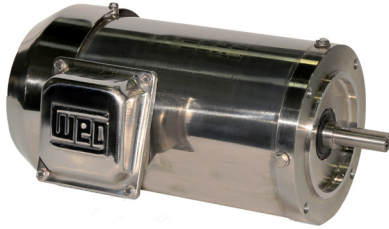
Find the **Optimal Match** for your **Shark™** Motor on page 11



C-Face - Foot Mount

HP	kW	RPM	Frame Size	Catalog Number	List Price	Mult. Symbol	Enclosure	Approx. Shipping Weight (lbs)	Service Factor	FL Amps @ 460V	FL. Eff (%)	"C" Dimension (in)	Voltage (V)
0.33	0.25	1800	56C	.3318EP3ESS56C	\$550	S1	TENV	29	1.15	0.53	79.8	11.250	230/460
		3600	56C	.5036EP3ESS56C	\$569	S1	TENV	30	1.15	0.65	78.3	11.250	230/460
0.5	0.37	1800	56C	.5018EP3ESS56C	\$575	S1	TENV	33	1.15	0.73	81.2	11.250	230/460
		1200	56C	.5012EP3ESS56C	\$682	S1	TENV	34	1.15	0.86	79.1	11.670	230/460
0.75	0.55	3600	56C	.7536EP3ESS56C	\$590	S1	TENV	30	1.15	1.02	81.9	11.250	230/460
		1800	56C	.7518EP3ESS56C	\$616	S1	TENV	34	1.15	1.06	81.3	11.250	230/460
		1200	56HC	.7512EP3ESS56C	\$723	S1	TENV	41	1.15	1.22	82.9	11.670	230/460
1	0.75	3600	56HC	00136ET3ESS56C	\$701	S1	TEFC	38	1.15	1.45	77.0	14.000	230/460
		3600		00136NT3ESS56C	\$713	S1	TENV	39	1.15	1.45	77.0	11.940	230/460
		1800	56HC	00118ET3ESS56C	\$723	S1	TEFC	38	1.15	1.46	85.5	14.000	230/460
		1800	56HC	00118NT3ESS56C	\$735	S1	TENV	38	1.15	1.46	85.5	11.940	230/460
		1800	143TC	00118ET3ESS143TC	\$857	S1	TEFC	38	1.15	1.40	85.5	12.600	230/460
		1800	143TC	00118NT3ESS143TC	\$889	S1	TENV	38	1.15	1.46	85.5	11.210	230/460
1.5	1.1	3600	56HC	00156ET3ESS56C	\$825	S1	TEFC	41	1.15	1.99	84.0	14.000	230/460
		1800	56HC	00158ET3ESS56C	\$846	S1	TEFC	44	1.15	2.06	86.5	14.000	230/460
		1800	145TC	00158ET3ESS145TC	\$872	S1	TEFC	44	1.15	2.08	86.5	13.600	230/460
2	1.5	3600	56HC	00236ET3ESS56C	\$989	S1	TEFC	47	1.15	2.55	85.5	14.000	230/460
		3600	145TC	00236ET3ESS145TC	\$1,113	S1	TEFC	47	1.15	2.58	85.5	13.600	230/460
		1800	56HC	00218ET3ESS56C	\$1,001	S1	TEFC	51	1.15	2.71	86.5	14.000	230/460
		1800	145TC	00218ET3ESS145TC	\$1,219	S1	TEFC	52	1.15	2.78	86.5	13.600	230/460
3	2.2	3600	182TC	00336ET3ESS182TC	\$1,564	S1	TEFC	103	1.15	3.71	86.5	16.000	230/460
		1800	182TC	00318ET3ESS182TC	\$1,453	S1	TEFC	113	1.15	3.65	89.5	16.000	230/460
5	3.7	3600	184TC	00536ET3ESS184TC	\$1,779	S1	TEFC	111	1.15	6.01	88.5	17.000	230/460
		1800	184TC	00518ET3ESS184TC	\$1,607	S1	TEFC	120	1.15	6.08	89.5	17.000	230/460
7.5	5.5	3600	213TC	00736ET3ESS213TC	\$2,208	S1	TEFC	156	1.15	8.90	89.7	22.000	230/460
		1800	213TC	00718ET3ESS213TC	\$2,201	S1	TEFC	142	1.15	9.01	91.7	22.000	230/460
10	7.5	3600	215TC	01036ET3ESS215TC	\$2,713	S1	TEFC	176	1.15	11.8	90.2	22.000	230/460
		1800	215TC	01018ET3ESS215TC	\$2,452	S1	TEFC	172	1.15	12.0	91.7	22.000	230/460

continued on next page



Find the **Optimal Match** for your **Shark™** Motor on page 12



C-Face - Footless

HP	kW	RPM	Frame Size	Catalog Number	List Price	Mult. Symbol	Enclosure	Approx. Shipping Weight (lbs)	Service Factor	FL Amps @ 460V	FL. Eff (%)	"C" Dimension (in)	Voltage (V)
0.33	0.25	1800	56C	.3318EP3ESS56CFL	\$550	S1	TENV	28	1.15	0.53	79.8	11.250	230/460
0.5	0.37	3600	56C	.5036EP3ESS56CFL	\$569	S1	TENV	29	1.15	0.65	78.3	11.250	230/460
		1800	56C	.5018EP3ESS56CFL	\$575	S1	TENV	32	1.15	0.73	81.2	11.250	230/460
0.75	0.55	1200	56C	.5012EP3ESS56CFL	\$682	S1	TENV	33	1.15	0.86	79.1	11.670	230/460
		3600	56C	.7536EP3ESS56CFL	\$590	S1	TENV	29	1.15	1.02	81.9	11.250	230/460
		1800	56C	.7518EP3ESS56CFL	\$616	S1	TENV	33	1.15	1.06	81.3	11.250	230/460
1	0.75	1200	56C	.7512EP3ESS56CFL	\$723	S1	TENV	40	1.15	1.22	82.9	11.670	230/460
		3600	56HC	00136ET3ESS56CFL	\$701	S1	TEFC	37	1.15	1.45	77.0	14.000	230/460
		1800	56HC	00118ET3ESS56CFL	\$723	S1	TEFC	37	1.15	1.46	85.5	14.000	230/460
1.5	1.1	1800	143TC	00118ET3ESS143TCFL	\$857	S1	TEFC	38	1.15	1.46	85.5	13.400	230/460
		3600	56HC	00156ET3ESS56CFL	\$825	S1	TEFC	40	1.15	1.99	84.0	14.000	230/460
		3600	143TC	00156ET3ESS143TCFL	\$858	S1	TEFC	41	1.15	1.99	84.0	13.400	230/460
		1800	56HC	00158ET3ESS56CFL	\$846	S1	TEFC	43	1.15	2.06	86.5	14.000	230/460
2	1.5	1800	145TC	00158ET3ESS145TCFL	\$872	S1	TEFC	43	1.15	2.06	86.5	14.200	230/460
		3600	56HC	00236ET3ESS56CFL	\$989	S1	TEFC	45	1.15	2.55	85.5	14.000	230/460
		3600	145TC	00236ET3ESS145TCFL	\$1,113	S1	TEFC	45	1.15	2.55	85.5	14.200	230/460
		1800	56HC	00218ET3ESS56CFL	\$1,001	S1	TEFC	49	1.15	2.71	86.5	14.000	230/460
3	2.2	1800	145TC	00218ET3ESS145TCFL	\$1,219	S1	TEFC	52	1.15	2.78	86.5	13.600	230/460
		3600	182TC	00336ET3ESS182TCFL	\$1,564	S1	TEFC	98	1.15	3.73	86.5	17.300	230/460
		3600	145TC	00336ET3ESS145TCFL	\$1,564	S1	TEFC	59	1.15	3.78	86.5	16.200	230/460
5	3.7	1800	182TC	00318ET3ESS182TCFL	\$1,453	S1	TEFC	111	1.15	3.92	89.5	17.100	230/460
		3600	184TC	00536ET3ESS184TCFL	\$1,779	S1	TEFC	109	1.15	6.01	88.5	17.900	230/460
7.5	5.5	1800	184TC	00518ET3ESS184TCFL	\$1,607	S1	TEFC	118	1.15	6.54	89.5	17.900	230/460
		3600	213TC	00736ET3ESS213TCFL	\$2,208	S1	TEFC	155	1.15	8.82	89.5	20.500	230/460
10	7.5	1800	213TC	00718ET3ESS213TCFL	\$2,201	S1	TEFC	170	1.15	9.12	91.7	20.500	230/460
		3600	215TC	01036ET3ESS215TCFL	\$2,713	S1	TEFC	174	1.15	11.5	90.2	22.000	230/460
		1800	215TC	01018ET3ESS215TCFL	\$2,452	S1	TEFC	205	1.15	12.2	91.7	22.000	230/460

Shark™ Motor and CFW08 Washdown Drive Quick Selection Guide



Shark™ - Stainless Steel - TENV - C-Face - Foot Mount

HP	RPM	Volts	Catalog Number	Motor List Price	460V Amps	230V Drive	Drive List Price	460V Drive	Drive List Price
0.33	1800	230/460	.3318EP3ESS56C	\$550	0.53	CFW080073BDN4A1Z	\$929	CFW080027TGN4A1Z	\$894
	3600	230/460	.5036EP3ESS56C	\$569	0.65	CFW080073BDN4A1Z	\$929	CFW080027TGN4A1Z	\$894
0.5	1800	230/460	.5018EP3ESS56C	\$575	0.73	CFW080073BDN4A1Z	\$929	CFW080027TGN4A1Z	\$894
	1200	230/460	.5012EP3ESS56C	\$682	0.86	CFW080073BDN4A1Z	\$929	CFW080027TGN4A1Z	\$894
0.75	3600	230/460	.7536EP3ESS56C	\$590	1.02	CFW080073BDN4A1Z	\$929	CFW080027TGN4A1Z	\$894
	1800	230/460	.7518EP3ESS56C	\$616	1.06	CFW080073BDN4A1Z	\$929	CFW080027TGN4A1Z	\$894
1	1200	230/460	.7512EP3ESS56C	\$723	0.22	CFW080073BDN4A1Z	\$929	CFW080027TGN4A1Z	\$894
	3600	230/460	00136NT3ESS56C	\$713	1.45	CFW080073BDN4A1Z	\$929	CFW080027TGN4A1Z	\$894
1	1800	230/460	00118NT3ESS56C	\$735	1.46	CFW080073BDN4A1Z	\$929	CFW080027TGN4A1Z	\$894
	1800	230/460	00118NT3ESS143TC	\$889	1.46	CFW080073BDN4A1Z	\$929	CFW080027TGN4A1Z	\$894

Shark™ - Stainless Steel - TEFC - C-Face - Foot Mount

HP	RPM	Volts	Catalog Number	Motor List Price	460V Amps	230V Drive	Drive List Price	460V Drive	Drive List Price
1	3600	230/460	00136ET3ESS56C	\$701	1.45	CFW080073BDN4A1Z	\$929	CFW080027TGN4A1Z	\$894
	1800	230/460	00118ET3ESS56C	\$723	1.46	CFW080073BDN4A1Z	\$929	CFW080027TGN4A1Z	\$894
	1800	230/460	00118ET3ESS143TC	\$857	1.46	CFW080073BDN4A1Z	\$929	CFW080027TGN4A1Z	\$894
1.5	3600	230/460	00156ET3ESS56C	\$825	1.99	CFW080073BDN4A1Z	\$929	CFW080027TGN4A1Z	\$894
	1800	230/460	00158ET3ESS56C	\$846	2.06	CFW080073BDN4A1Z	\$929	CFW080027TGN4A1Z	\$894
	1800	230/460	00158ET3ESS145TC	\$872	2.06	CFW080073BDN4A1Z	\$929	CFW080027TGN4A1Z	\$894
2	3600	230/460	00236ET3ESS56C	\$989	2.55	CFW080073BDN4A1Z	\$929	CFW080043TGN4A1Z	\$1,118
	3600	230/460	00236ET3ESS145TC	\$1,113	2.55	CFW080073BDN4A1Z	\$929	CFW080043TGN4A1Z	\$1,118
	1800	230/460	00218ET3ESS56C	\$1,001	2.71	CFW080073BDN4A1Z	\$929	CFW080043TGN4A1Z	\$1,118
	1800	230/460	00218ET3ESS145TC	\$1,219	2.78	CFW080073BDN4A1Z	\$929	CFW080043TGN4A1Z	\$1,118
3	3600	230/460	00336ET3ESS182TC	\$1,564	3.73	CFW080100BDN4A1Z	\$1,039	CFW080043TGN4A1Z	\$1,118
	1800	230/460	00318ET3ESS182TC	\$1,453	3.92	CFW080100BDN4A1Z	\$1,039	CFW080065TGN4A1Z	\$1,331
5	3600	230/460	00536ET3ESS184TC	\$1,779	6.01	CFW080160TDN4A1Z	\$1,228	CFW080100TGN4A1Z	\$1,516
	1800	230/460	00518ET3ESS184TC	\$1,607	6.54	CFW080160TDN4A1Z	\$1,228	CFW080100TGN4A1Z	\$1,516
7.5	3600	230/460	00736ET3ESS213TC	\$2,208	8.82	CFW080220TDN4A1Z	\$1,769	CFW080130TGN4A1Z	\$1,856
	1800	230/460	00718ET3ESS213TC	\$2,201	9.12	CFW080220TDN4A1Z	\$1,769	CFW080130TGN4A1Z	\$1,856
10	3600	230/460	01036ET3ESS215TC	\$2,713	11.50	CFW080280TDN4A1Z	\$2,266	CFW080160TGN4A1Z	\$2,144
	1800	230/460	01018ET3ESS215TC	\$2,452	12.20	CFW080280TDN4A1Z	\$2,266	CFW080160TGN4A1Z	\$2,144

Shark™ Motor and CFW08 Washdown Drive Quick Selection Guide

Optimal Match



Shark™ - Stainless Steel - TENV - C-Face - Footless

HP	RPM	Volts	Catalog Number	Motor List Price	460V Amps	230V Drive	Drive List Price	460V Drive	List Price
0.33	1800	230/460	.3318EP3ESS56CFL	\$550	0.53	CFW080073BDN4A1Z	\$929	CFW080027TGN4A1Z	\$894
0.5	3600	230/460	.5036EP3ESS56CFL	\$569	0.65	CFW080073BDN4A1Z	\$929	CFW080027TGN4A1Z	\$894
	1800	230/460	.5018EP3ESS56CFL	\$575	0.73	CFW080073BDN4A1Z	\$929	CFW080027TGN4A1Z	\$894
0.75	1200	230/460	.5012EP3ESS56CFL	\$682	0.86	CFW080073BDN4A1Z	\$929	CFW080027TGN4A1Z	\$894
	3600	230/460	.7536EP3ESS56CFL	\$590	1.02	CFW080073BDN4A1Z	\$929	CFW080027TGN4A1Z	\$894
	1800	230/460	.7518EP3ESS56CFL	\$616	1.06	CFW080073BDN4A1Z	\$929	CFW080027TGN4A1Z	\$894
1	1200	230/460	.7512EP3ESS56CFL	\$723	0.22	CFW080073BDN4A1Z	\$929	CFW080027TGN4A1Z	\$894
	3600	230/460	00136NT3ESS56CFL	\$713	1.45	CFW080073BDN4A1Z	\$929	CFW080027TGN4A1Z	\$894
	1800	230/460	00118NT3ESS56CFL	\$735	1.46	CFW080073BDN4A1Z	\$929	CFW080027TGN4A1Z	\$894
	1800	230/460	00118NT3ESS143TCFL	\$889	1.46	CFW080073BDN4A1Z	\$929	CFW080027TGN4A1Z	\$894

Shark™ - Stainless Steel - TEFC - C-Face - Footless

HP	RPM	Volts	Catalog Number	Motor List Price	460V Amps	230V Drive	List Price	460V Drive	List Price
1	3600	230/460	00136ET3ESS56CFL	\$701	1.45	CFW080073BDN4A1Z	\$929	CFW080027TGN4A1Z	\$894
	1800	230/460	00118ET3ESS56CFL	\$723	1.46	CFW080073BDN4A1Z	\$929	CFW080027TGN4A1Z	\$894
	1800	230/460	00118ET3ESS143TCFL	\$857	1.46	CFW080073BDN4A1Z	\$929	CFW080027TGN4A1Z	\$894
1.5	3600	230/460	00156ET3ESS56CFL	\$825	1.99	CFW080073BDN4A1Z	\$929	CFW080027TGN4A1Z	\$894
	3600	230/460	00156ET3ESS143TCFL	\$858	1.99	CFW080073BDN4A1Z	\$929	CFW080027TGN4A1Z	\$894
	1800	230/460	00158ET3ESS56CFL	\$846	2.06	CFW080073BDN4A1Z	\$929	CFW080027TGN4A1Z	\$894
	1800	230/460	00158ET3ESS145TCFL	\$872	2.06	CFW080073BDN4A1Z	\$929	CFW080027TGN4A1Z	\$894
2	3600	230/460	00236ET3ESS56CFL	\$989	2.55	CFW080073BDN4A1Z	\$929	CFW080043TGN4A1Z	\$1,118
	3600	230/460	00236ET3ESS145TCFL	\$1,113	2.55	CFW080073BDN4A1Z	\$929	CFW080043TGN4A1Z	\$1,118
	1800	230/460	00218ET3ESS56CFL	\$1,001	2.71	CFW080073BDN4A1Z	\$929	CFW080043TGN4A1Z	\$1,118
	1800	230/460	00218ET3ESS145TCFL	\$1,219	2.78	CFW080073BDN4A1Z	\$929	CFW080043TGN4A1Z	\$1,118
3	3600	230/460	00336ET3ESS145TCFL	\$1,564	3.78	CFW080100BDN4A1Z	\$1,039	CFW080065TGN4A1Z	\$1,331
	3600	230/460	00336ET3ESS182TCFL	\$1,564	3.73	CFW080100BDN4A1Z	\$1,039	CFW080043TGN4A1Z	\$1,118
	1800	230/460	00318ET3ESS182TCFL	\$1,453	3.92	CFW080100BDN4A1Z	\$1,039	CFW080065TGN4A1Z	\$1,331
5	3600	230/460	00536ET3ESS184TCFL	\$1,779	6.01	CFW080160TDN4A1Z	\$1,228	CFW080100TGN4A1Z	\$1,516
	1800	230/460	00518ET3ESS184TCFL	\$1,607	6.54	CFW080160TDN4A1Z	\$1,228	CFW080100TGN4A1Z	\$1,516
7.5	3600	230/460	00736ET3ESS213TCFL	\$2,208	8.82	CFW080220TDN4A1Z	\$1,769	CFW080130TGN4A1Z	\$1,856
	1800	230/460	00718ET3ESS213TCFL	\$2,201	9.12	CFW080220TDN4A1Z	\$1,769	CFW080130TGN4A1Z	\$1,856
10	3600	230/460	01036ET3ESS215TCFL	\$2,713	11.50	CFW080280TDN4A1Z	\$2,266	CFW080160TGN4A1Z	\$2,144
	1800	230/460	01018ET3ESS215TCFL	\$2,452	12.20	CFW080280TDN4A1Z	\$2,266	CFW080160TGN4A1Z	\$2,144



Find the **Optimal Match** for your **HydroWash™** Motor on page 14



Foot Mount

HP	RPM	Frame	Catalog Number	List Price	Multi.	Enclosure	HZ	SF	FL Amps @ high	C Dim	kVA Code	Appr. Ship. Wt (lbs)
0.5	1725	56	1321007145	\$516	S2	TENV	60	1.15	0.80	10.230	L	27
0.75	1725	56C	1321007146	\$566	S2	TENV	60	1.15	1.20	10.990	M	33
1	1725	56	1321007143	\$605	S2	TENV	60	1.15	1.50	11.980	K	40
	1725	145TC	1321007148	\$642	S2	TENV	60	1.15	1.50	12.040	K	40
1.5	1725	56C	1311017163	\$668	S2	TEFC	60	1.15	2.20	14.460	K	42
	1725	145TC	1311017155	\$683	S2	TEFC	60	1.15	2.20	14.570	K	42
2	1725	56C	1311017161	\$728	S2	TEFC	60	1.15	2.80	14.550	K	49
	1725	145TC	1311017154	\$728	S2	TEFC	60	1.15	2.80	14.550	K	49



Footless

HP	RPM	Frame	Catalog Number	List Price	Multi.	Enclosure	HZ	SF	FL Amps @ High	C Dim	kVA Code	Appr. Ship. Wt (lbs)
0.5	1725	56	1321007144	\$510	S2	TENV	60	1.15	0.80	10.230	L	27
0.75	1725	56C	1321007147	\$553	S2	TENV	60	1.15	1.11	10.990	L	33
1	1725	56C	1321007142	\$599	S2	TENV	60	1.15	1.50	11.980	K	40
	1725	145TC	1321007149	\$628	S2	TENV	60	1.15	1.50	12.040	K	40
1.5	1725	56C	1311017164	\$683	S2	TEFC	60	1.15	2.20	14.460	K	42
	1725	145TC	1311017156	\$668	S2	TEFC	60	1.15	2.20	14.530	K	42
2	1725	56C	1311017162	\$672	S2	TEFC	60	1.15	2.80	14.550	K	49
	1725	145TC	1311017157	\$672	S2	TEFC	60	1.15	2.80	14.550	K	49

HydroWash™ Motor and CFW08 Washdown Drive Quick Selection Guide



HydroWash™ - White Epoxy - TEFC - C-Face - Foot Mount

HP	RPM	Volts	Catalog Number	Motor List Price	FL Amps @ high	230V Drive	Drive List Price	460V Drive	Drive List Price
1.5	1800	230/460	1311017163	\$668	2.20	CFW080073BDN4A1Z	\$929	CFW080027TGN4A1Z	\$894
		230/460	1311017155	\$683	2.20	CFW080073BDN4A1Z	\$929	CFW080027TGN4A1Z	\$894
2	1800	230/460	1311017161	\$728	2.80	CFW080073BDN4A1Z	\$929	CFW080043TGN4A1Z	\$1,118
		230/460	1311017154	\$728	2.80	CFW080073BDN4A1Z	\$929	CFW080043TGN4A1Z	\$1,118

HydroWash™ - White Epoxy - TENV - C-Face - Foot Mount

HP	RPM	Volts	Catalog Number	Motor List Price	460V Amps	230V Drive	Drive List Price	460V Drive	Drive List Price
0.5	1800	230/460	1321007145	\$516	0.80	CFW080073BDN4A1Z	\$929	CFW080027TGN4A1Z	\$894
0.75	1800	230/460	1321007146	\$566	1.20	CFW080073BDN4A1Z	\$929	CFW080027TGN4A1Z	\$894
1	1800	230/460	1321007143	\$605	1.50	CFW080073BDN4A1Z	\$929	CFW080027TGN4A1Z	\$894
		230/460	1321007148	\$642	1.50	CFW080073BDN4A1Z	\$929	CFW080027TGN4A1Z	\$894

HydroWash™ - White Epoxy - TEFC - C-Face - Footless

HP	RPM	Volts	Catalog Number	Motor List Price	460V Amps	230V Drive	Drive List Price	460V Drive	Drive List Price
1.5	1800	230/460	1311017164	\$683	2.20	CFW080073BDN4A1Z	\$929	CFW080027TGN4A1Z	\$894
		230/460	1311017156	\$668	2.20	CFW080073BDN4A1Z	\$929	CFW080027TGN4A1Z	\$894
2	1800	230/460	1311017162	\$672	2.80	CFW080073BDN4A1Z	\$929	CFW080043TGN4A1Z	\$1,118
		230/460	1311017157	\$672	2.80	CFW080073BDN4A1Z	\$929	CFW080043TGN4A1Z	\$1,118

HydroWash™ - White Epoxy - TENV - C-Face - Footless

HP	RPM	Volts	Catalog Number	Motor List Price	460V Amps	230V Drive	Drive List Price	460V Drive	Drive List Price
0.5	1800	230/460	1321007144	\$510	0.80	CFW080073BDN4A1Z	\$929	CFW080027TGN4A1Z	\$894
0.75	1800	230/460	1321007147	\$553	1.20	CFW080073BDN4A1Z	\$929	CFW080027TGN4A1Z	\$894
1	1800	230/460	1321007142	\$599	1.50	CFW080073BDN4A1Z	\$929	CFW080027TGN4A1Z	\$894
		230/460	1321007149	\$628	1.50	CFW080073BDN4A1Z	\$929	CFW080027TGN4A1Z	\$894

Variable Frequency Drive - CFW08 WASH

The WEG CFW08 WASH Series is a redesign of our successful uline VFDs. Engineering improvements have produced one of the most compact and full featured microdrives in the marketplace.

Outstanding features and options in a NEMA 4 enclosure allow the CFW08 WASH to be successfully used in a large variety of washdown applications.



Standard Features

- Same programming as other WEG VFD's
- V/Hz and Sensorless Vector Control
- NEMA 4X(IP56) Enclosure
- Single and Three-phase input voltage
- 200-240V, 380-480V or 500-600 input voltage
- 150% current overload capacity
- 16 bit DSP controlled PWM output
- 2.5 / 5 / 10 / 15 kHz adjustable switching frequency
- Four isolated programmable digital inputs
- Two programmable relay outputs (1NO, 1NC, 240vac 0.5A)
- Two isolated programmable analog inputs (0-10V, 0/4-20mA)
- Protective features: Over current, motor overload, drive over temperature, output phase-to-phase and phase-to-ground short circuit, DC bus over and under voltage and external fault
- Control features: Linear and "S" ramp acceleration and deceleration, local/remote control, DC braking, torque boost, motor slip compensation, electronic pot, preset speeds, adjustable V/Hz profile, maximum and minimum adjustable frequency limits, two skip frequencies, adjustable output current limit, JOG, ride-thru, flying start and PID regulator.
- Display readings: Motor speed, frequency, voltage, current, last fault, heatsink temperature and drive status
- Ambient: 32°F (0°C) to 104°F (40°C), 3300ft (1000m) altitude, 90% humidity, non-condensing
- SuperDrive (G1) compatible

Applications NEMA 4X

- Pumps
- Fans
- Blowers
- Conveyors
- Rollout tables
- Agitators
- Mixers
- Any washdown applications

Optional Features

- Dynamic Braking Resistors available
 - Remote Keypad with Copy Function
 - RS-232 or RS-485 Serial Interface
 - Modbus Communication*
 - DIN rail mounting through 2HP
- *Requires optional RS-232 or RS-485 Interface



Variable Frequency Drive - CFW08 WASH

Wash Down - NEMA 4X Enclosure

Motor Voltage	Motor HP ¹	Drive Amps ²	Catalog Number	Braking Transistor	Frame Size	Dimensions (in.) HxWxD	Approx. Weight (lbs.)	List Price	Multiplier	
230 Vac	Input Power Supply: Single or Three-Phase 200-240 Vac									
	2	7.3	CFW080073BDN4A1Z	Yes	A	10.4 x 6.5 x 8.5	5	\$929	V1	
	3	10.0	CFW080100BDN4A1Z	Yes	A	10.4 x 6.5 x 8.5	5	\$1,039	V1	
	Input Power Supply: Three-Phase 230 Vac									
	5	16	CFW080160TDN4A1Z	Yes	A	10.4 x 6.5 x 8.5	5	\$1,228	V1	
	7 1/2	22	CFW080220TDN4A1Z	Yes	B	13.4 x 8.5 x 8.5	18	\$1,769	V1	
10	28	CFW080280TDN4A1Z	Yes	B	13.4 x 8.5 x 8.5	18	\$2,266	V1		
460 Vac	Input Power Supply: Three-Phase 380-480 Vac									
	1	2.7	CFW080027TGN4A1Z	Yes	A	10.4 x 6.5 x 8.5	5	\$894	V1	
	2	4.3	CFW080043TGN4A1Z	Yes	A	10.4 x 6.5 x 8.5	5	\$1,118	V1	
	3	6.5	CFW080065TGN4A1Z	Yes	A	10.4 x 6.5 x 8.5	5	\$1,331	V1	
	5	10	CFW080100TGN4A1Z	Yes	A	10.4 x 6.5 x 8.5	5	\$1,516	V1	
	7 1/2	13	CFW080130TGN4A1Z	Yes	B	13.4 x 8.5 x 8.5	18	\$1,856	V1	
	10	16	CFW080160TGN4A1Z	Yes	B	13.4 x 8.5 x 8.5	18	\$2,144	V1	
	15	24	CFW080240TGN4A1Z	Yes	B	13.4 x 8.5 x 8.5	18	\$2,876	V1	
20	30	CFW080300TGN4A1Z	Yes	B	13.4 x 8.5 x 8.5	18	\$3,474	V1		
575 Vac ³	Input Power Supply: Three-Phase 500-600 Vac									
	1	1.7	CFW080017THN4A1Z	Yes	B	13.4 x 8.5 x 8.5	18	\$1,259	V1	
	2	3.0	CFW080030THN4A1Z	Yes	B	13.4 x 8.5 x 8.5	18	\$1,421	V1	
	3	4.3	CFW080043THN4A1Z	Yes	B	13.4 x 8.5 x 8.5	18	\$1,485	V1	
	5	7.0	CFW080070THN4A1Z	Yes	B	13.4 x 8.5 x 8.5	18	\$1,767	V1	
	7 1/2	10	CFW080100THN4A1Z	Yes	B	13.4 x 8.5 x 8.5	18	\$2,077	V1	
10	12	CFW080120THN4A1Z	Yes	B	13.4 x 8.5 x 8.5	18	\$2,388	V1		

Notes:

- 1) "HP" rating based on "average FLA values". Use as a guide only.
 - 2) Motor FLA may vary with speed and manufacturer. ALWAYS compare motor FLA to Nominal AMPS of drive.
 - 3) All 575V drives are non-stocked items. Consult WEG for availability.
- For other technical data please refer to WEG product manual.

CFW08 WASH Catalog Number Sequence

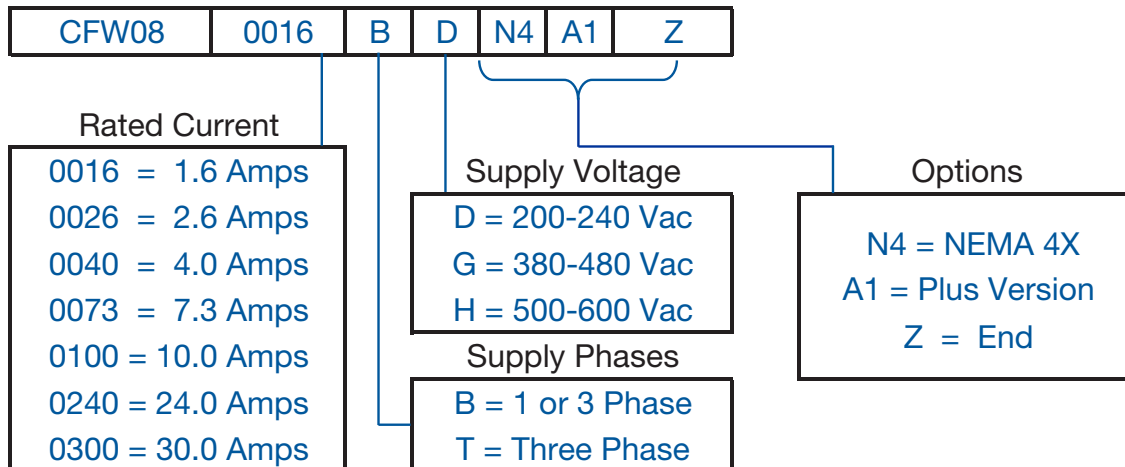


Table intended as reference only and not to create part numbers.



Variable Frequency Drive - CFW08 WASH

Options and Accessories

Type	Catalog Number	Description	List Price	Multiplier
Keypad	HMI-CFW08-RS	NEMA12 Remote Keypad (requires MIS-CFW08-RS & cable)	\$135	V1
	MIS-CFW08-RS	Remote Keypad Interface	\$64	V1
	TCL-CFW08	Keypad Cover	\$13	V1
	CAB-RS-1	3.3 ft (1m) Remote Keypad Cable	\$23	V1
	CAB-RS-2	6.6 ft (2m) Remote Keypad Cable	\$31	V1
	CAB-RS-3	9.9 ft (3m) Remote Keypad Cable	\$41	V1
	CAB-RS-5	16 ft (3m) Remote Keypad Cable	\$51	V1
	CAB-RS-7.5	25 ft (7.5m) Remote Keypad Cable	\$62	V1
	CAB-RS-10	33 ft (10m) Remote Keypad Cable	\$72	V1
I/O	KAC-120-CFW08	120VAC Digital Input Adaptor Board (4 inputs)	\$145	V1
Communication	KCS-CFW08	RS-232 Serial Comm. Module (mounted in place of keypad)	\$97	V1
	MIW-02	RS-232/485 Converter (mounted externally)	\$221	V1
	KSD-CFW08	PC Communication Kit	\$124	V1
	KRS-485-CFW08	Interface for RS-485 Communication	\$186	V1
DC Power Supply	KDC-24V-CFW08	24VDC power supply with standard CFW08 HMI integrated	\$177	V1
	KDC-24VR-CFW08	24VDC power supply with interface for remote keypad	\$211	V1
Remote Oper. Station	CSW-SP3PBS	Remote Operator Station-includes 22mm Start PB, Stop PB, 1-NC and 1-NO contact block, 5k-ohm Potentiometer and legends (replaces CFW-REM)	\$460	Z5
	CSW30-SP3PBS	Remote Operator Station-includes 30mm Start PB, Stop PB, 1-NC and 1-NO contact block, 5k-ohm Potentiometer and legends (replaces CFW-REM)	\$535	Z5



Variable Frequency Drive - CFW08 WASH



Dynamic Braking Resistors for CFW08 WASH

NON-STOCK (call for lead time)

10% Duty Cycle

Motor Voltage	Motor HP ¹	CFW08 Catalog Number	WEG DB Resistor Catalog Number ²	Ohms	Watts	List Price	Multiplier
230 Vac	Input Power Supply: Single or Three-Phase 200-240 Vac						
	2	CFW080073BDN4A1Z	CFDB39-224	39	224	\$183	V1
	3	CFW080100BDN4A1Z	CFDB27-298	27	298	\$183	V1
	5	CFW080160TDN4A1Z	CFDB22-373	22	373	\$183	V1
	7 1/2	CFW080220TDN4A1Z	CFDB15-560	15	560	\$319	V1
	10	CFW080280TDN4A1Z	CFDB10-746	10	746	\$319	V1
460 Vac	Input Power Supply: Three-Phase 380-480 Vac						
	1	CFW080027TGN1A1Z	CFDB120-298	120	298	\$183	V1
	2	CFW080043TGN1A1Z	CFDB120-298	120	298	\$183	V1
	3	CFW080065TGN1A1Z	CFDB100-224	100	224	\$183	V1
	5	CFW080100TGN1A1Z	CFDB47-746	47	746	\$319	V1
	7 1/2	CFW080130TGN1A1Z	CFDB33-746	33	746	\$319	V1
	10	CFW080160TGN1A1Z	CFDB33-746	33	746	\$319	V1
	15	CFW080240TGN1A1Z	CFDB22-1119	22	1119	\$481	V1
20	CFW080300TGN1A1Z	CFDB18-1492	18	1492	\$638	V1	

Notes:

- 1) "HP" rating based on "average FLA values". Use as a guide only.
- 2) Dynamic Braking Resistors are non-stock items. Consult WEG for availability

Variable Frequency Drive - CFW08 WASH



Technical Data

Power Supply	Voltage	Single Phase or Three Phase	200-240V (+10%, -15%)
		Three phase	380-480V (+10%, -15%)
	Frequency	50 / 60Hz +/- 2Hz	
	Displacement Power Factor (Cos)	Greater than 0.98	
Enclosure	Degree of Protection	NEMA 4	
Control	Control Modes	Volts per Hertz (Scalar)	
		Sensorless Voltage Vector VVV	
	Power Output	Sinusoidal PWM (Space Vector Modulation)	
		IGBT Transistors	
	Switching Frequency	2.5, 5, 10 or 15kHz	
	Frequency Range	0-300 Hz	
	Overload Capacity	150% for 60 seconds, repeatable every 10 min.	
Control Inputs	4 programmable isolated digital inputs, NPN or 24Vdc logic (PNP)		
	2 programmable differential analog inputs; programmable for current or voltage Can be set as DI or as PTC input (0-10V, 4-20mA or 0-20mA)		
Control Outputs	2 programmable relay outputs: One NO (Form A) and one NC (Form B): 240 V / 0.5 A		
	1 Output with independent NO and NC at a same common		
	1 Analog Output; programmable for voltage (0-10V) or current (0-20 mA or 4-20 mA) and with 0.25% linearity error		
Communication	Serial	Optional RS-232 serial interface, RS-485 with external RS-232/485 converter	
	Field Bus	Modbus RTU with external RS-232/485 converter	
Safety	Protections	Motor over current	DC link over voltage
		Motor overload	DC link under voltage
		Output phase-to-phase short circuit	Drive over temperature
		Output phase-to-ground short circuit	External fault
		Programming error	
Ambient	Temperature	32° - 104°F (40°C), up to 122°F (50°C) with 2% / 1.8°F (1°C) output current derating	
	Humidity	5-90% Non Condensing	
	Altitude	0-3300 ft (1000m), up to 13,200 ft (4000m) with 1% output current derating per 330ft (100m) above 3300 ft (1000m).	
Regulatory Conformance	EMC Directive 89 / 336 / EEC	Electromagnetic compatibility – Industrial Environment EMC Emission and Immunity with optional filter	
	EN61800-3		
	LVD 73/23/EEC	Low Voltage Directive	
	UL 508 C	Power Conversion Equipment	
Special Functions	Linear and “S” ramp accel and decel, local/remote control, FWD/REV selection, DC braking, manual and auto torque boost, motor slip compensation, electronic pot, two skip frequencies, maximum and minimum adjustable frequency limits, adjustable output current, PID Controller		
Keypad	4 digit display, 2 indicator LEDs and 8 keys		
	Readouts for: output frequency (Hz), output current (A), output voltage (V), motor torque (%) in vector mode, DC bus voltage (V), value proportional to frequency (Ex.: RPM), heatsink temperature, fault and status messages		
Mounting	Surface mounting with screws.		



WEG Electric Corp.

6655 Sugarloaf Pkwy.

Duluth, GA 30097

(800) ASK-4WEG

www.weg.net