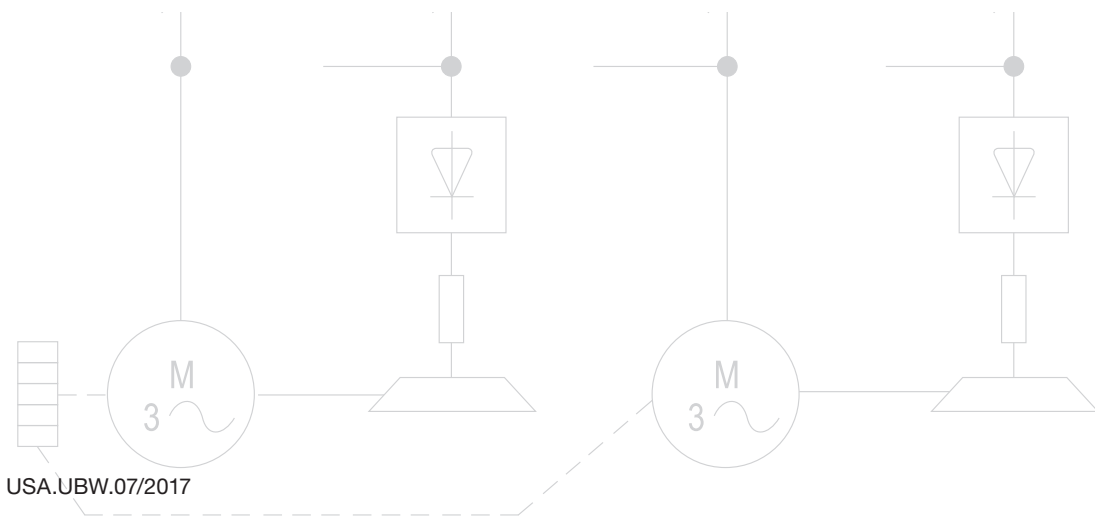
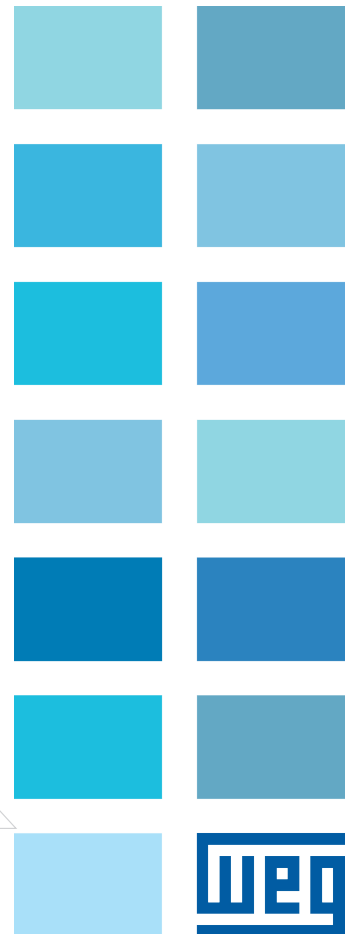
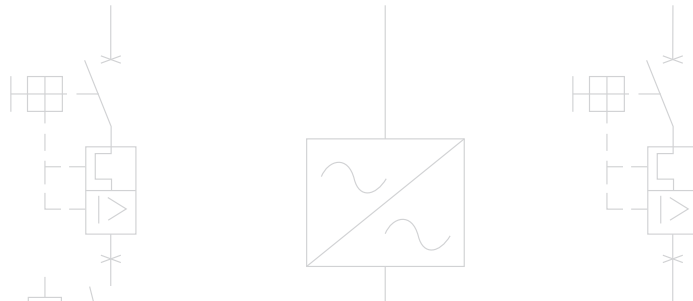


UBW

Molded-Case Circuit Breaker UL 489 Listed



UBW

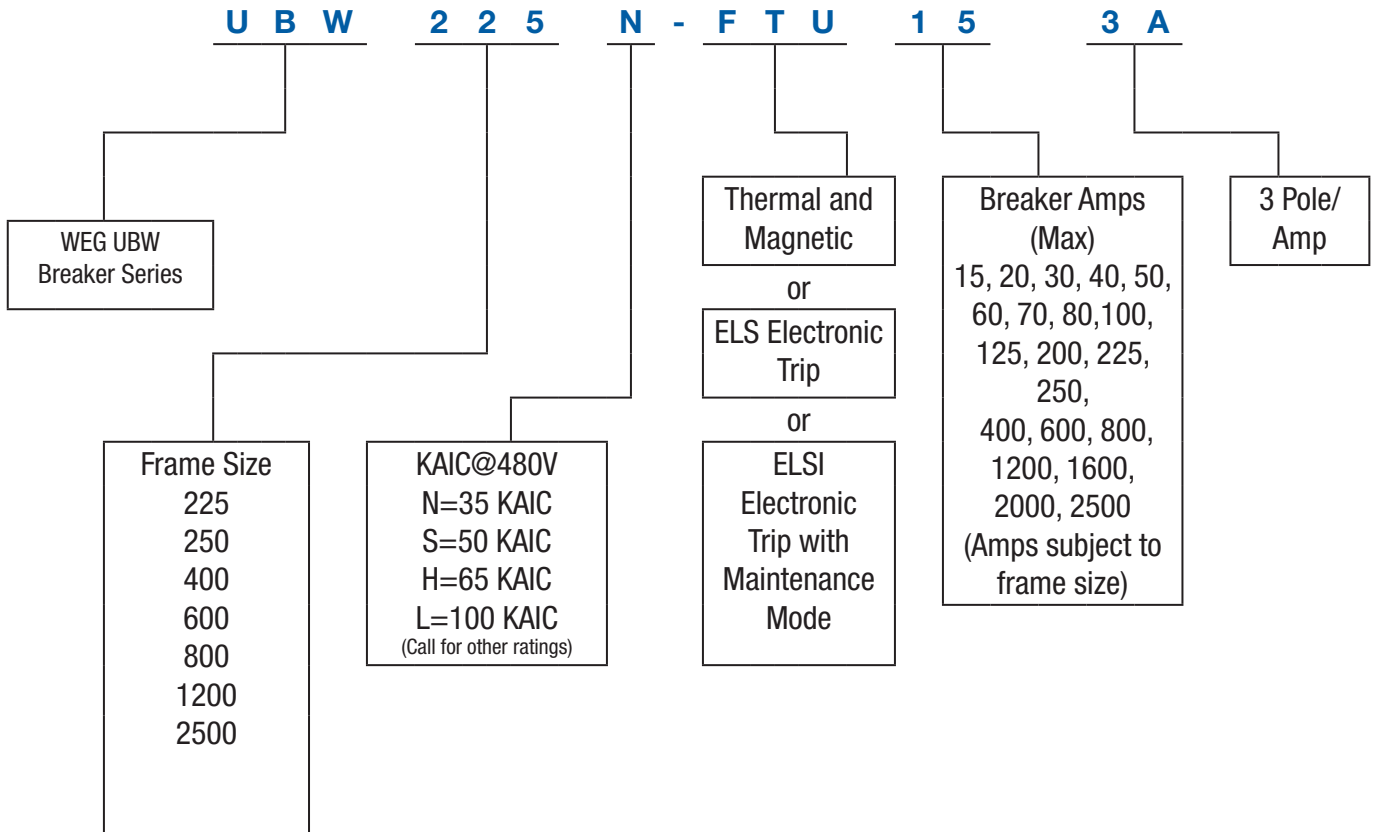
Molded-Case Circuit Breaker UL 489 Listed



The WEG UBW Series of Molded Case Circuit Breakers are designed to provide short circuit and thermal protection for industrial electrical equipment. Increased frame sizes and amperages cover more applications and when combined with our complete line of Automation/Control products, provide customers a one stop shop for all their panel needs. The UBW product line ranges from 15A to 2500A and seer ratings for 35-100 FAIC to meet more of your application requirements.

Standard Features:

- Higher Maximum Amperages
- Multiple KIAC Ratings
- Short Lead Times
- Field Installable Options
- Multiple Handle Styles



**If ordering with factory installed options replace 3A with alpha numeric option code sequence*



UBW225 Frame - Line and load side lugs included

Thermal Setting	Short Circuit Interrupting Capacity		Catalog Number	List Price	Multiplier
(A)	480VAC	600VAC			
15	35kA	18kA	UBW225N-FTU15-3A	\$665	Z10
20			UBW225N-FTU20-3A	\$665	Z10
30			UBW225N-FTU30-3A	\$665	Z10
40			UBW225N-FTU40-3A	\$665	Z10
50			UBW225N-FTU50-3A	\$665	Z10
60			UBW225N-FTU60-3A	\$665	Z10
70			UBW225N-FTU70-3A	\$665	Z10
80			UBW225N-FTU80-3A	\$728	Z10
100			UBW225N-FTU100-3A	\$728	Z10
125			UBW225N-FTU125-3A	\$1,100	Z10
150			UBW225N-FTU150-3A	\$1,550	Z10
200			UBW225N-FTU200-3A	\$1,550	Z10
225			UBW225N-FTU225-3A	\$1,550	Z10
15			65kA	25kA	UBW225H-FTU15-3A
20	UBW225H-FTU20-3A	\$965			Z10
30	UBW225H-FTU30-3A	\$965			Z10
40	UBW225H-FTU40-3A	\$965			Z10
50	UBW225H-FTU50-3A	\$965			Z10
60	UBW225H-FTU60-3A	\$965			Z10
70	UBW225H-FTU70-3A	\$965			Z10
80	UBW225H-FTU80-3A	\$1,055			Z10
100	UBW225H-FTU100-3A	\$1,055			Z10
125	UBW225H-FTU125-3A	\$1,450			Z10
150	UBW225H-FTU150-3A	\$2,050			Z10
200	UBW225H-FTU200-3A	\$2,050			Z10
225	UBW225H-FTU225-3A	\$2,050			Z10
15	100kA	35kA			UBW225L-FTU15-3A
20			UBW225L-FTU20-3A	\$1,200	Z10
30			UBW225L-FTU30-3A	\$1,200	Z10
40			UBW225L-FTU40-3A	\$1,200	Z10
50			UBW225L-FTU50-3A	\$1,200	Z10
60			UBW225L-FTU60-3A	\$1,200	Z10
70			UBW225L-FTU70-3A	\$1,200	Z10
80			UBW225L-FTU80-3A	\$1,200	Z10
100			UBW225L-FTU100-3A	\$1,350	Z10
125			UBW225L-FTU125-3A	\$1,350	Z10
150			UBW225L-FTU150-3A	\$2,800	Z10
200			UBW225L-FTU200-3A	\$2,400	Z10
225			UBW225L-FTU225-3A	\$2,400	Z10

UBW

UBW 250 400 600 800 Frame- - Line and load side lugs included



Frame 250

Thermal Setting	KA Rating at 480VAC	Catalog Number	List Price	Multiplier
250	35	UBW250N-FTU250-3A	\$1,550	Z10
250	65	UBW250H-FTU250-3A	\$2,050	Z10
250	100	UBW250L-FTU250-3A	\$2,400	Z10

Frame 400

300	35	UBW400N-FTU300-3A	\$3,000	Z10
400	35	UBW400N-FTU400-3A	\$3,000	Z10
300	65	UBW400H-FTU300-3A	\$3,700	Z10
400	65	UBW400H-FTU400-3A	\$3,700	Z10
300	100	UBW400L-FTU300-3A	\$4,700	Z10
400	100	UBW400L-FTU400-3A	\$4,700	Z10

Frame 600

500	35	UBW600N-FTU500-3A	\$5,000	Z10
600	35	UBW600N-FTU600-3A	\$5,000	Z10
500	65	UBW600H-FTU500-3A	\$7,000	Z10
600	65	UBW600H-FTU600-3A	\$7,000	Z10
500	100	UBW600L-FTU500-3A	\$8,300	Z10
600	100	UBW600L-FTU600-3A	\$8,300	Z10

Frame 800

800	50	UBW800S-FTU800-3A	\$6,000	Z10
800	65	UBW800H-FTU800-3A	\$8,000	Z10

Frame 1200 with Electronic Trip - Not supplied with lugs

800	50	UBW1200S-ELS800-3A	\$14,000.00	Z10
800	65	UBW1200H-ELS800-3A	\$17,950.00	Z10
800	100	UBW1200L-ELS800-3A	\$21,950.00	Z10
1200	50	UBW1200S-ELS1200-3A	\$21,300.00	Z10
1200	65	UBW1200H-ELS1200-3A	\$22,200.00	Z10
1200	100	UBW1200L-ELS1200-3A	\$23,500.00	Z10

Frame 1200 with Electronic Trip and Maintenance Mode - Not supplied with lugs

800	50	UBW1200S-ELSI800-3A	\$21,950.00	Z10
800	65	UBW1200H-ELSI800-3A	\$21,950.00	Z10
800	100	UBW1200L-ELSI800-3A	\$24,600.00	Z10
1200	50	UBW1200S-ELSI1200-3A	\$22,000.00	Z10
1200	65	UBW1200H-ELSI1200-3A	\$24,500.00	Z10
1200	100	UBW1200L-ELSI1200-3A	\$25,800.00	Z10

UBW 2500 Frame



Frame 2500 with Electronic Trip - not supplied with lugs

Thermal Setting	KA Raing 480vac	Catalog Number	List	Multiplier
1600	65	UBW2500H-ELSI1600-3A	\$29,600	Z10
1600	100	UBW2500L-ELSI1600-3A	\$32,200	Z10
2000	65	UBW2500H-ELSI2000-3A	\$30,700	Z10
2000	100	UBW2500L-ELSI2000-3A	\$33,300	Z10
2500	65	UBW2500H-ELSI2500-3A	\$32,400	Z10
2500	100	UBW2500L-ELSI2500-3A	\$35,200	Z10

Frame 2500 with Electronic Trip and Maintenance Mode

Thermal Setting	KA Raing 480vac	Catalog Number	List	Multiplier
1600	65	UBW2500H-ELSI1600-3A	\$32,300	Z10
1600	100	UBW2500L-ELSI1600-3A	\$34,900	Z10
2000	65	UBW2500H-ELSI2000-3A	\$33,300	Z10
2000	100	UBW2500L-ELSI2000-3A	\$36,000	Z10
2500	65	UBW2500H-ELSI2500-3A	\$35,000	Z10
2500	100	UBW2500L-ELSI2500-3A	\$37,900	Z10

Auxiliary Mounting positions for Frames 250 to 2500

225 Frame Factory Installed only

WEG Catalog Number	Description	List	Factory Installed Option Code	List Adder
AX UBW225	AUXILIARY SWITCH	\$349.05	A1	\$150.00
AL UBW225	ALARM SWITCH	\$349.05	A2	\$150.00
AXAL UBW225	AUX/ALARM SWITCH	\$432.00	A3	\$150.00
SHT UBW225 E59	SHUNT TRIP 12-24AC/DC	\$437.14	S	\$150.00
SHT UBW225 E58	SHUNT TRIP 48-120AC/48-60DC	\$437.14	SS	\$150.00
SHT UBW225 E62	SHUNT TRIP 208-380AC/110-127DC	\$437.14	S0	\$150.00
UVT UBW225 C03	UNDERVOLTAGE RELEASE 24DC	\$437.14	11	\$150.00
UVT UBW225 D60	UNDERVOLTAGE RELEASE 110-125AC	\$437.14	12	\$150.00
UVT UBW225 D96	UNDERVOLTAGE RELEASE 208-240AC	\$437.14	13	\$150.00
AX UBW250	AUXILIARY SWITCH	\$445.71	A1	\$150.00
AL UBW250	ALARM SWITCH	\$445.71	A2	\$150.00
AXAL UBW250	AUX/ALARM SWITCH	\$527.14	A3	\$150.00
SHT UBW250 E59	SHUNT TRIP 12-24AC/DC	\$587.14	S1	\$150.00
SHT UBW250 E61	SHUNT TRIP 100-240AC/110-125DC	\$587.14	S2	\$150.00
UVT UBW250 C03	UNDERVOLTAGE RELEASE 24DC	\$587.14	21	\$150.00
UVT UBW250 D60	UNDERVOLTAGE RELEASE 110-125AC	\$587.14	22	\$150.00
UVT UBW250 D96	UNDERVOLTAGE RELEASE 208-240AC	\$587.14	23	\$150.00
AX UBW400	AUXILIARY SWITCH	\$557.41	A1	\$150.00
AL UBW400	ALARM SWITCH	\$557.41	A2	\$150.00
AXAL UBW400	AUX/ALARM SWITCH	\$628.29	A3	\$150.00
SHT UBW400 E59	SHUNT TRIP 12-24AC/DC	\$627.43	S3	\$150.00
SHT UBW400 E61	SHUNT TRIP 100-240AC/110-125DC	\$627.43	S4	\$150.00
UVT UBW400 C03	UNDERVOLTAGE RELEASE 24DC	\$627.43	31	\$150.00
UVT UBW400 D60	UNDERVOLTAGE RELEASE 110-125AC	\$627.43	32	\$150.00
UVT UBW400 D96	UNDERVOLTAGE RELEASE 208-240AC	\$627.43	33	\$150.00
AX UBW800^	AUXILIARY SWITCH	\$698.67	A1	\$150.00
AL UBW800^	ALARM SWITCH	\$698.67	A2	\$150.00
AXAL UBW800^	AUX/ALARM SWITCH	\$772.29	A3	\$150.00
SHT UBW800 E60^	SHUNT TRIP 9-24AC/12-24DC	\$873.24	S5	\$150.00
SHT UBW8000 D95^	SHUNT TRIP 100-240AC	\$873.24	S6	\$150.00
UVT UBW800 C03^	UNDERVOLTAGE RELEASE 24DC	\$873.24	41	\$150.00
UVT UBW80 D60^	UNDERVOLTAGE RELEASE 110-127AC	\$873.24	42	\$150.00
UVT UBW800 D96^	UNDERVOLTAGE RELEASE 208-240AC	\$873.24	43	\$150.00
AX UBW1200	AUXILIARY SWITCH	\$771.43	A1	\$150.00
AL UBW1200	ALARM SWITCH	\$771.43	A2	\$150.00
AXAL UBW1200	AUX/ALARM SWITCH	\$865.71	A3	\$150.00
SHT UBW1200 E60	SHUNT TRIP 9-24AC/12-24DC	\$964.29	S7	\$150.00
SHT UBW1200 D95	SHUNT TRIP 100-240AC	\$964.29	S8	\$150.00
UVT UBW1200 C03	UNDERVOLTAGE RELEASE 24DC	\$964.29	51	\$150.00
UVT UBW1200 D60	UNDERVOLTAGE RELEASE 110-127AC	\$964.29	52	\$150.00
UVT UBW1200 D96	UNDERVOLTAGE RELEASE 208-240AC	\$964.29	53	\$150.00
AX UBW2500	AUXILIARY SWITCH	\$1,034.19	A1	\$150.00
AL UBW2500	ALARM SWITCH	\$1,034.19	A2	\$150.00
SHT UBW2500 E26	SHUNT TRIP 24AC/DC	\$1,157.14	S9	\$150.00
SHT UBW1200 D95	SHUNT TRIP 100-240AC	\$1,157.14	S10	\$150.00
UVT UBW2500 C03	UNDERVOLTAGE RELEASE 24DC	\$1,157.14	61	\$150.00
UVT UBW2500 D60	UNDERVOLTAGE RELEASE 110-127AC	\$1,157.14	62	\$150.00
UVT UBW2500 D96	UNDERVOLTAGE RELEASE 208-240AC	\$1,157.14	63	\$150.00

^ For Frames 600@800
For Option Positions see page 33

Lugs

All WEG UBW Circuit Breaker supplied with Line/Load Lugs


Standard Lugs

Frame	Part Number	Conductor Count	Wire Size/Range	Lugs Count	List	Multiplier
225	LT3-UBW225	1	14-4/0 AWG	3	\$274.29	Z10
250	LT1-UBW255	1	4-350	1	\$73.09	Z10
400	LT3-UBW400	2	3/0-250	3	\$196.57	Z10
400	LT1-UBW400	1	250-500	1	\$65.52	Z10
400	LT3D-UBW400	1	400-500	3	\$252.95	Z10
600	LT3-UBW600	2	4/0-600	3	\$310.86	Z10

Multi-Wire Lugs (Load Side Only)

Frame	Part Number	Conductor Count	Wire Size/Range	Lugs Count	List	Multiplier
225	WT3-UBW225	3	14-2	1	\$212.10	Z10
225	WT6-UBW225	6	14-6	1	\$212.10	Z10
250	WT3-UBW250	3	14-2	1	\$370.76	Z10
250	WT6-UBW250	6	14-6	1	\$370.76	Z10
400	WT3-UBW400	3	12-2/0	1	\$382.29	Z10
400	WT6-UBW400	6	14-3	1	\$382.29	Z10
600	LT1D-UBW450	2	4-4/0	1	\$156.95	Z10
800	LT1A2-UBW800	3	3/0-400	1	\$172.19	Z10
800	LT1A1-UBW700	2	1-500	1	\$126.48	Z10
800	LT1A-UBW800	2	500-750 KCMIL	1	\$219.63	Z10
1200	LT1B2-UBW700	2	1-500	1	\$121.50	Z10
1200	LT1B3-UBW1000	3	3/0-400	1	\$163.79	Z10
1200	LT1B4-UBW1200	4	4/0-500	1	\$230.14	Z10
2500	LT1B3-UBW1200	2	1-500	1	\$243.00	Z10
2500	LT1A-UBW1600	4	500-1000	1	\$333.71	Z10
2500	LT1C-UBW1600	4	1-600	1	\$530.29	Z10
2500	LT3-UBW2000	6	2-600	1	\$3,771.43	Z10
2500	RT1-UBW2000	4	1-600	1	\$299.57	Z10
2500	RT1-UBW2500	6	2-600	1	\$641.14	Z10

** Metric Mounting Hardware

UBW



Handle/Mechanism/Shafts NEMA 1/3R/12

Part Number	Description	List	Multiplier
EHC6-UBW225	Handle + Mechanism + Shaft 6"	\$372.86	Z10
EHC12-UBW225	Handle + Mechanism + Shaft 12"	\$384.29	Z10
EHC16-UBW225	Handle + Mechanism + Shaft 16"	\$410.00	Z10
EHC24-UBW225	Handle + Mechanism + Shaft 24"	\$437.33	Z10
EHC6-UBW250	Handle + Mechanism + Shaft 6"	\$285.71	Z10
EHC12-UBW250	Handle + Mechanism + Shaft 12"	\$397.24	Z10
EHC16-UBW250	Handle + Mechanism + Shaft 16"	\$497.90	Z10
EHC24-UBW250	Handle + Mechanism + Shaft 24"	\$517.43	Z10
EHC6-UBW400	Handle + Mechanism + Shaft 6"	\$393.33	Z10
EHC12-UBW400	Handle + Mechanism + Shaft 12"	\$407.71	Z10
EHC16-UBW400	Handle + Mechanism + Shaft 16"	\$482.29	Z10
EHC24-UBW400	Handle + Mechanism + Shaft 24"	\$530.95	Z10
EHC6-UBW800^	Handle + Mechanism + Shaft 6"	\$544.76	Z10
EHC12-UBW800^	Handle + Mechanism + Shaft 12"	\$557.05	Z10
EHC16-UBW800^	Handle + Mechanism + Shaft 16"	\$650.19	Z10
EHC24-UBW800^	Handle + Mechanism + Shaft 24"	\$679.43	Z10
EHC6-UBW1200	Handle + Mechanism + Shaft 6"	\$656.33	Z10
EHC12-UBW1200	Handle + Mechanism + Shaft 12"	\$573.05	Z10
EHC16-UBW1200	Handle + Mechanism + Shaft 16"	\$679.43	Z10
EHC24-UBW1200	Handle + Mechanism + Shaft 24"	\$709.76	Z10

[^] Handle for Frames 600 and 800

Note: UBW 2500 utilizes flange mount mechanism only. Rotary handle is not available.

Handle/Mechanism/Shafts NEMA 4/4X

Part Number	Description	List	Multiplier
EHC6X-UBW225	Handle + Mechanism + Shaft 6"	\$468.57	Z10
EHC12X-UBW225	Handle + Mechanism + Shaft 12"	\$482.29	Z10
EHC16X-UBW225	Handle + Mechanism + Shaft 16"	\$536.95	Z10
EHC24X-UBW225	Handle + Mechanism + Shaft 24"	\$548.67	Z10
EHC6X-UBW250	Handle + Mechanism + Shaft 6"	\$548.67	Z10
EHC12X-UBW250	Handle + Mechanism + Shaft 12"	\$577.90	Z10
EHC16X-UBW250	Handle + Mechanism + Shaft 16"	\$613.05	Z10
EHC24X-UBW250	Handle + Mechanism + Shaft 24"	\$634.57	Z10
EHC6X-UBW400	Handle + Mechanism + Shaft 6"	\$549.67	Z10
EHC12X-UBW400	Handle + Mechanism + Shaft 12"	\$587.43	Z10
EHC16X-UBW400	Handle + Mechanism + Shaft 16"	\$622.57	Z10
EHC24X-UBW400	Handle + Mechanism + Shaft 24"	\$644.10	Z10
EHC6X-UBW800^	Handle + Mechanism + Shaft 6"	\$736.10	Z10
EHC12X-UBW800^	Handle + Mechanism + Shaft 12"	\$765.33	Z10
EHC16X-UBW800^	Handle + Mechanism + Shaft 16"	\$804.38	Z10
EHC24X-UBW800^	Handle + Mechanism + Shaft 24"	\$804.38	Z10
EHC6X-UBW1200	Handle + Mechanism + Shaft 6"	\$765.33	Z10
EHC12X-UBW1200	Handle + Mechanism + Shaft 12"	\$784.86	Z10
EHC16X-UBW1200	Handle + Mechanism + Shaft 16"	\$833.71	Z10
EHC24X-UBW1200	Handle + Mechanism + Shaft 24"	\$833.71	Z10

Note: UBW 2500 utilizes flange mount mechanism only. Rotary handle is not available.



Flange Handle 1/3R/12

Part Number	Description	List	Multiplier
FHP3-UBW225	Flexible Shaft 3' Cable	\$871.11	Z10
FHP5-UBW225	Flexible Shaft 5' Cable	\$906.67	Z10
FHP6-UBW225	Flexible Shaft 6' Cable	\$933.33	Z10
FHP3-UBW250	Flexible Shaft 3' Cable	\$1,022.22	Z10
FHP5-UBW250	Flexible Shaft 5' Cable	\$1,056.00	Z10
FHP6-UBW250	Flexible Shaft 6' Cable	\$1,073.60	Z10
FHP3-UBW400	Flexible Shaft 3' Cable	\$1,102.22	Z10
FHP5-UBW400	Flexible Shaft 5' Cable	\$1,144.00	Z10
FHP6-UBW400	Flexible Shaft 6' Cable	\$1,160.44	Z10
FHP6-UBW800	Flexible Shaft 6' Cable	\$1,442.04	Z10
FHP5-UBW800	Flexible Shaft 5' Cable	\$1,379.92	Z10
FHP6-UBW1200	Flexible Shaft 6' Cable	\$1,591.11	Z10
FHP5-UBW1200	Flexible Shaft 5' Cable	\$1,426.76	Z10
FHP6-UBW2500	Flexible Shaft 6' Cable	\$1,648.71	Z10
FHP5-UBW2500	Flexible Shaft 5' Cable	\$1,608.62	Z10

Flange Handle 4/4X

Part Number	Description	List	Multiplier
FHP3X-UBW225	Flexible Shaft 3' Cable	\$945.78	Z10
FHP5X-UBW225	Flexible Shaft 5' Cable	\$1,057.76	Z10
FHP6X-UBW225	Flexible Shaft 6' Cable	\$1,070.22	Z10
FHP3X-UBW250	Flexible Shaft 3' Cable	\$1,141.07	Z10
FHP5X-UBW250	Flexible Shaft 5' Cable	\$1,186.04	Z10
FHP6X-UBW250	Flexible Shaft 6' Cable	\$1,191.47	Z10
FHP3X-UBW400	Flexible Shaft 3' Cable	\$1,228.71	Z10
FHP5X-UBW400	Flexible Shaft 5' Cable	\$1,259.28	Z10
FHP6X-UBW400	Flexible Shaft 6' Cable	\$1,264.89	Z10
FHP6X-UBW800	Flexible Shaft 6' Cable	\$1,536.44	Z10
FHP5X-UBW800	Flexible Shaft 5' Cable	\$1,508.00	Z10
FHP6X-UBW1200	Flexible Shaft 6' Cable	\$1,626.22	Z10
FHP5X-UBW1200	Flexible Shaft 5' Cable	\$1,608.71	Z10
FHP6X-UBW2500	Flexible Shaft 6' Cable	\$1,763.11	Z10
FHP5X-UBW2500	Flexible Shaft 5' Cable	\$1,720.44	Z10

WEG – On/Off Locking Mechanisms

Frame	Part Number	Padlock Style	List
225	HL-UBW225	HASP	\$106.76
250/400	HL-UBW400	HASP	\$118.19
600	PL-UBW600	HASP	\$173.24
800	PL-UBW800	HASP	\$188.43
1200	HL-UBW1200	HASP	\$229.00
2500	PL-UBW2500	HASP	\$314.10



WEG Padlock - PL and HL

Direct Mount Handle

Frame	Part Number	List
225	DHI-UBW225	\$321.43
400	DHI-UBW400	\$347.14
600 (500/600AMP)	DHI-UBW600	\$330.00
800/800AMP	DHI-UBW600	\$330.00
800/800AMP	EDHI-UBW800	\$53.81
1200	EDHI-1200	\$78.10
2500	EDHI-2500	\$104.10



EDHI Style



DHI Style

UBW

Frame Size	225	250	400	600	800	1200	2500
Rated Current - In 40° C	15,20,30,40,50,60,70,80,100,125,200,225	250	300,400	500,600	800	800,1200	1600,2000,2500
No.Of Poles	3	3	3	3	3	3	3
Rated operational Voltage-Ue	600	600	600	600	600	600	600
Max Options	2*	2**	2**	2**	2**	2**	3***
Reference standard	UL489	UL489	UL489	UL489	UL489	UL489	UL489

*Factory Installed Only ** 1 Option-Right, 1 Option Left *** All Options Right Side Only

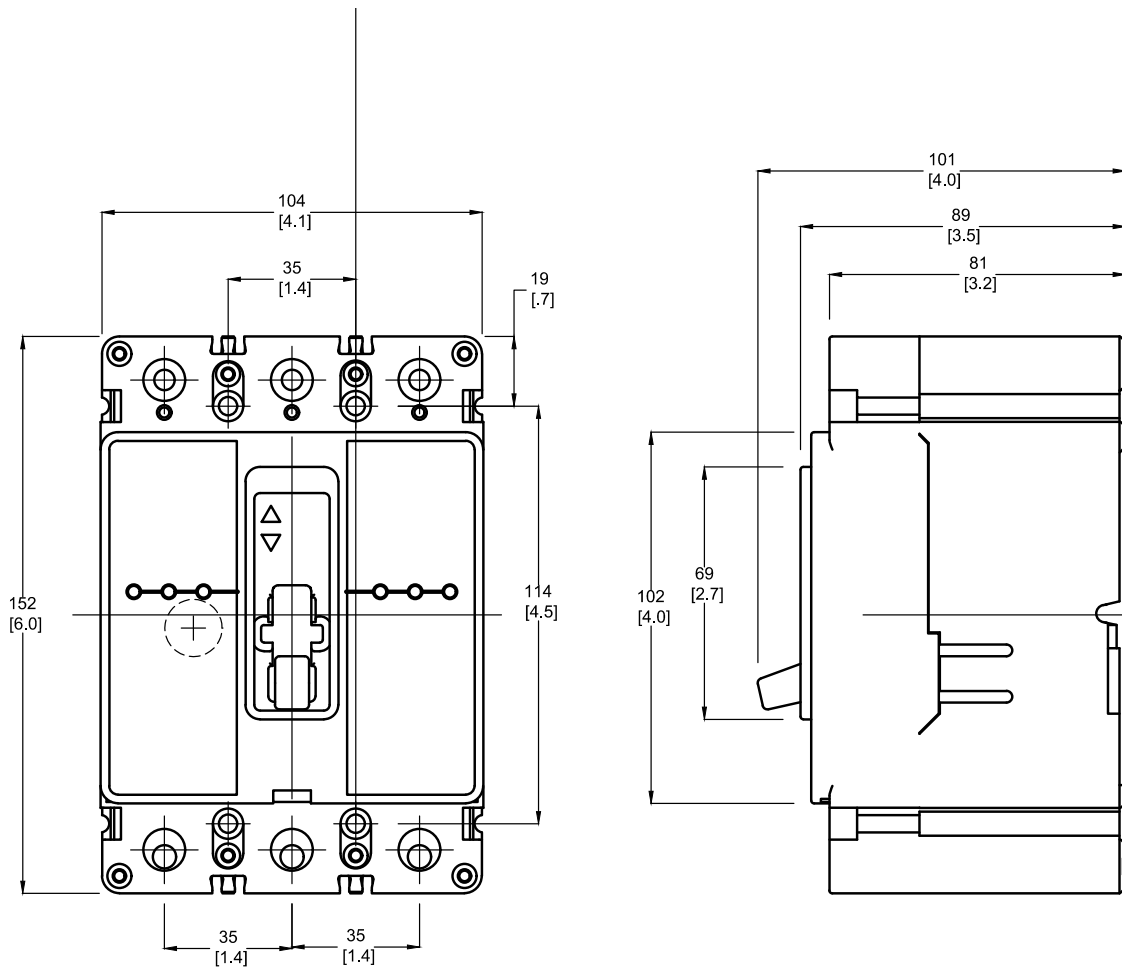
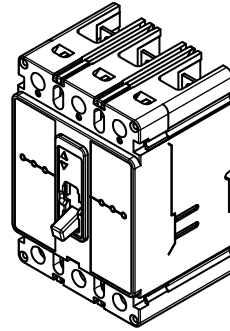
UL interrupting rating- Icu		N	H	L
Frame 225	120VAC	65kA	100kA	200kA
	240VAC	65kA	100kA	200kA
	480VAC	35kA	65kA	100kA
	600VAC	18kA	25kA	35kA
Frame 250	120VAC	65kA	100kA	200kA
	240VAC	65kA	100kA	200kA
	480VAC	35kA	65kA	100kA
	600VAC	18kA	25kA	35kA
Frame 400	120VAC	65kA	100kA	200kA
	240VAC	65kA	100kA	200kA
	480VAC	35kA	65kA	100kA
	600VAC	25kA	35kA	65kA
Frame 600	120VAC	65kA	100kA	200kA
	240VAC	65kA	100kA	200kA
	480VAC	35kA	65kA	100kA
	600VAC	25kA	35kA	50kA
Frame 800		S	H	
	120VAC	65kA	100kA	
	240VAC	65kA	100kA	
	480VAC	50kA	65kA	
	600VAC	25kA	35kA	
Frame 1200		S	H	L
	120VAC	85kA	100kA	200kA
	240VAC	85kA	100kA	200kA
	480VAC	50kA	65kA	100kA
	600VAC	25kA	35kA	45kA
Frame 2500		N/A	H	L
	120VAC	N/A	125kA	200kA
	240VAC	N/A	125kA	200kA
	480VAC	N/A	65kA	100kA
	600VAC	N/A	50kA	65kA

Options available for all

Frame Sizes:
Auxiliary Contacts*
Alarm Contacts*
Shunt Trip Units *
Undervoltage Trip Units*

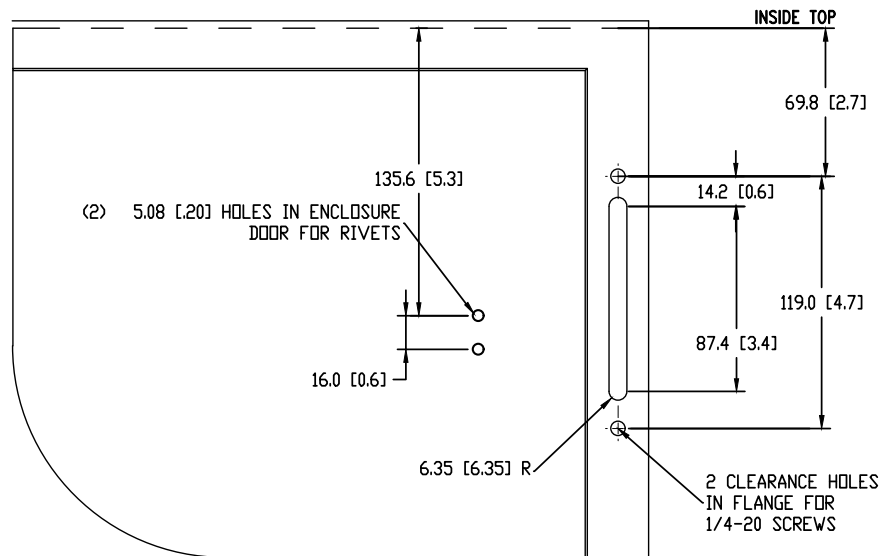
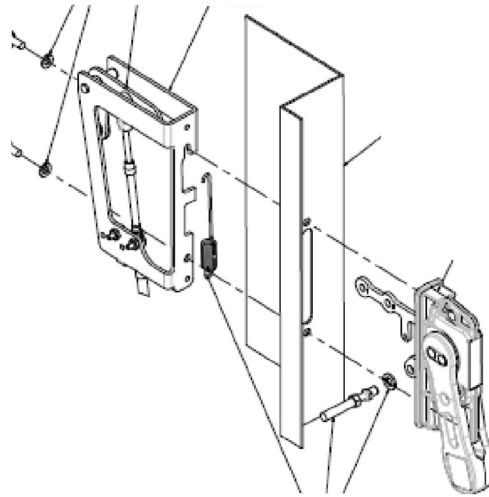
* 225 Frame must be Factory Installed

Dimensions Frame 225

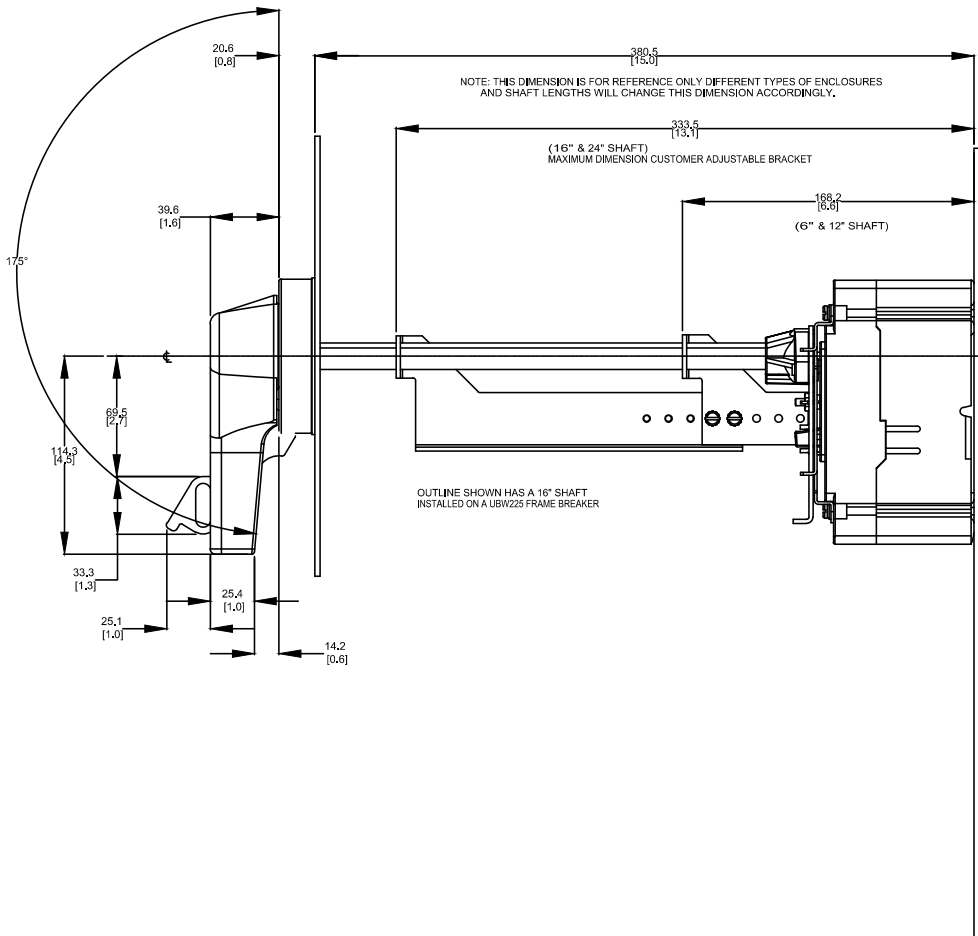
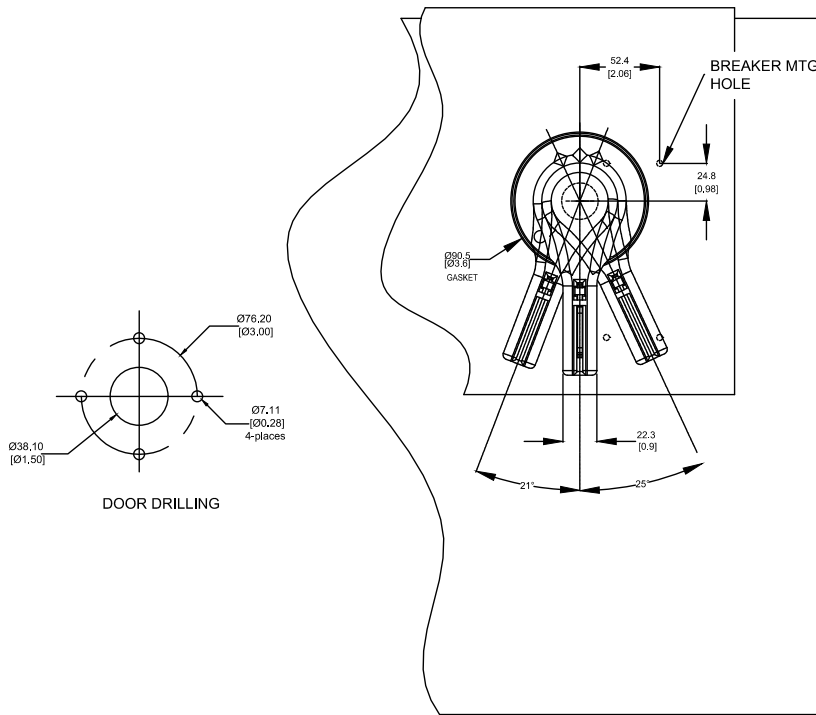


UBW

Dimensions Frame 225 - Flange Handle

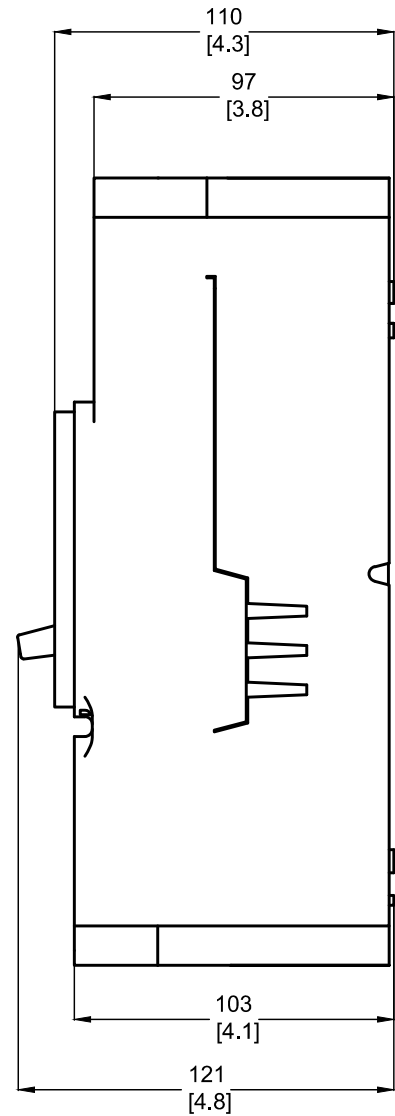
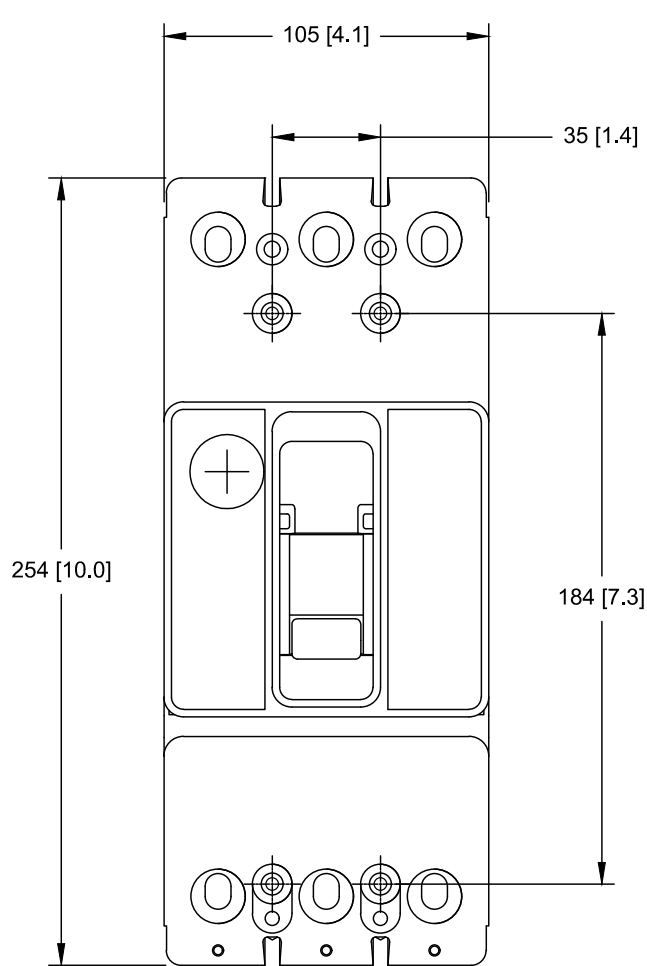
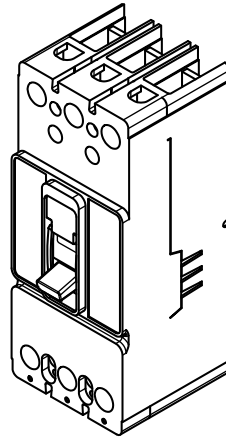


Dimensions Frame 225 - Rotary Handle

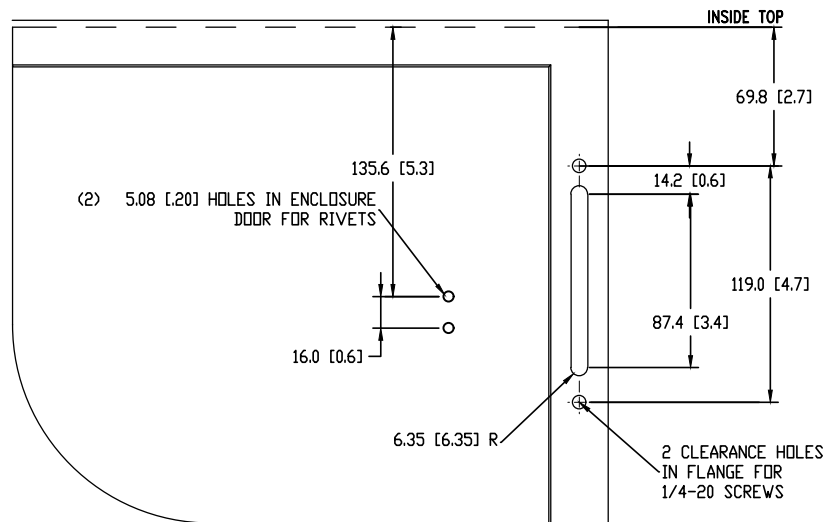
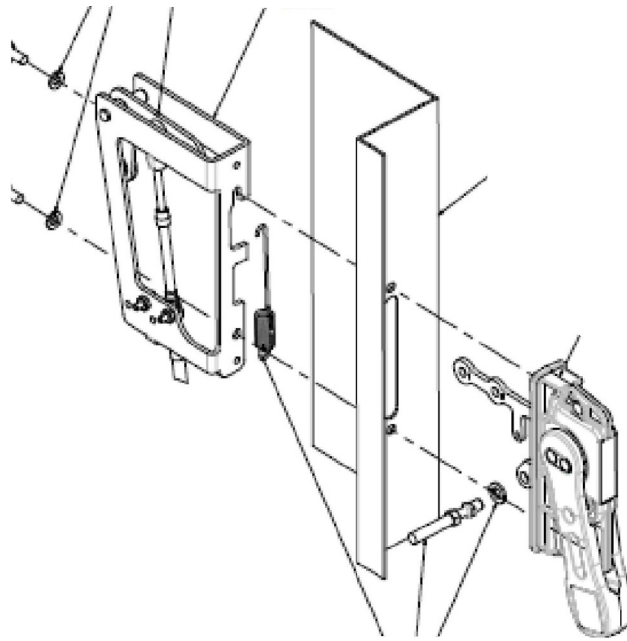


UBW

Dimensions Frame 250

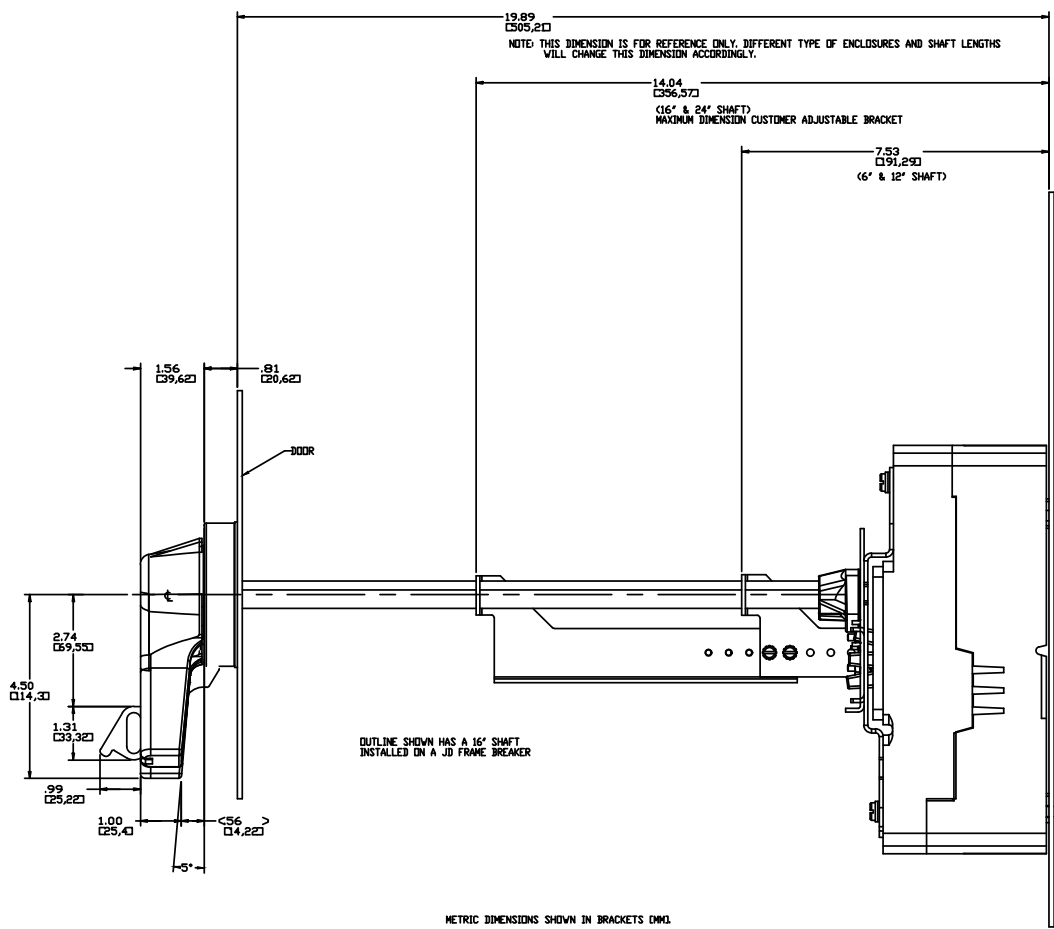
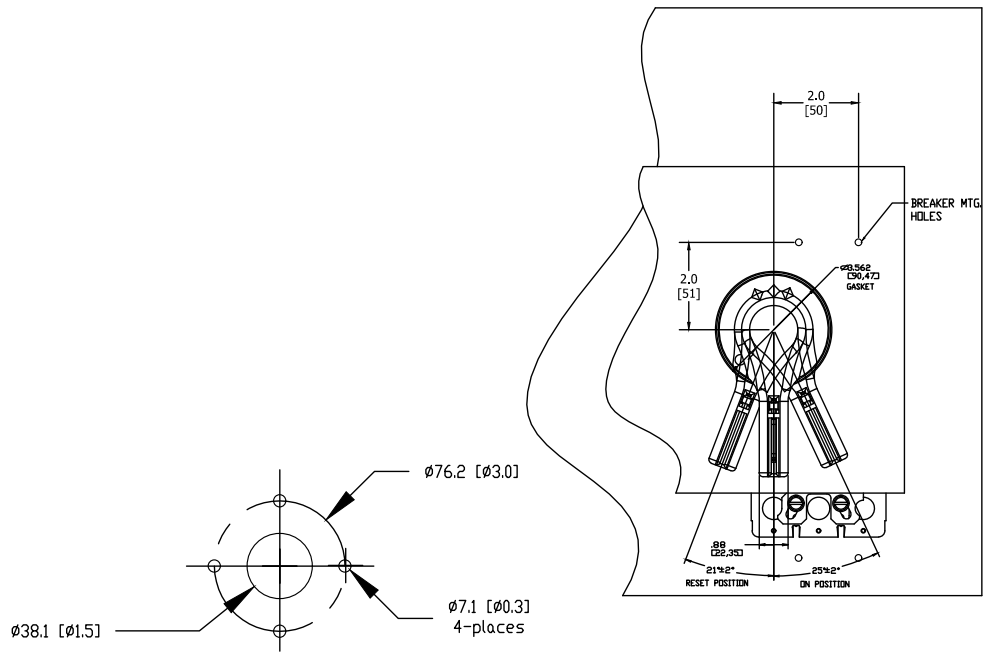


Dimensions Frame 250 - Flange Handle

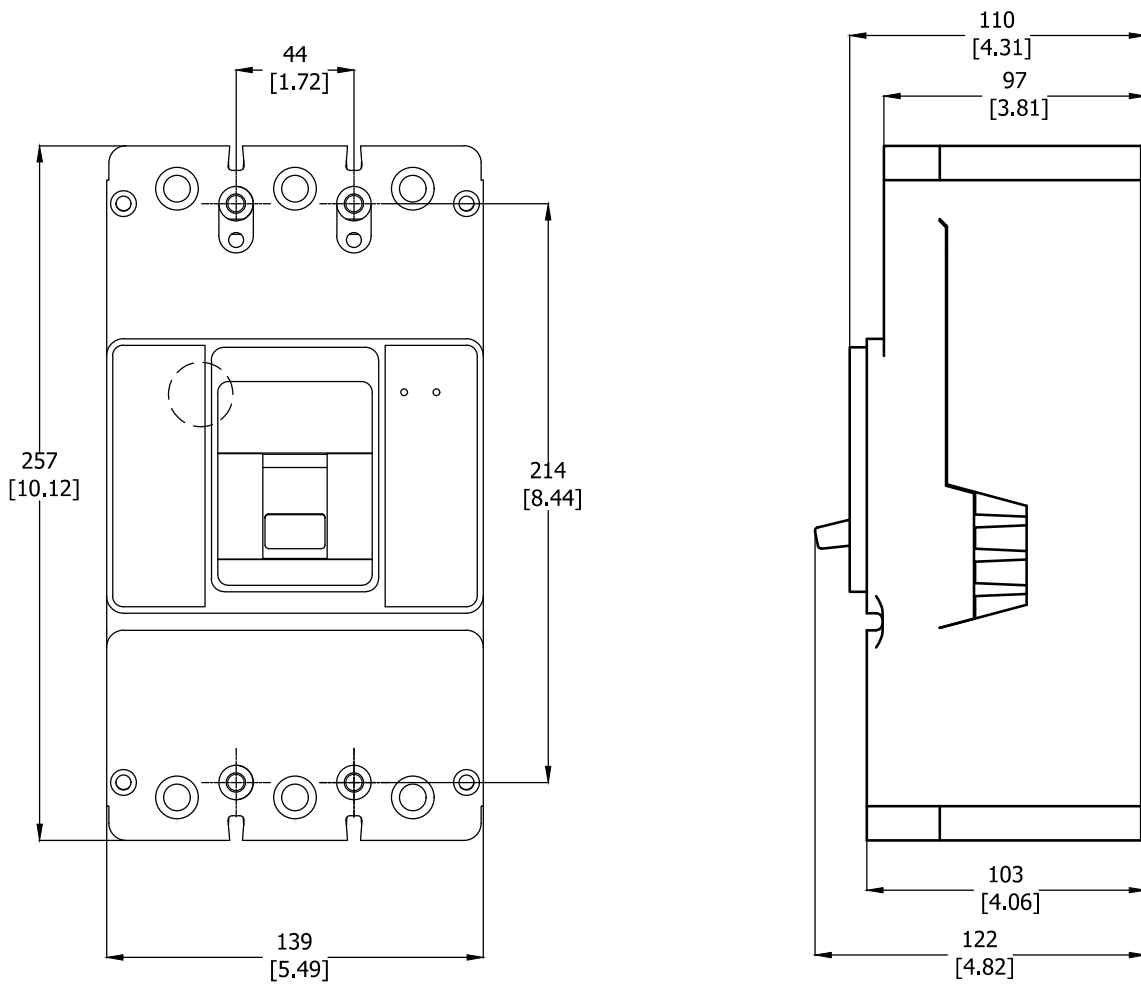
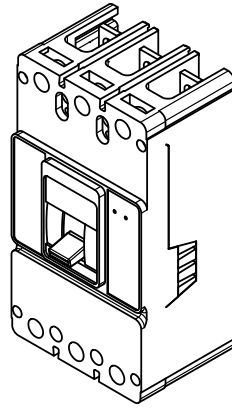


UBW

Dimensions Frame 250 - Rotary Handle

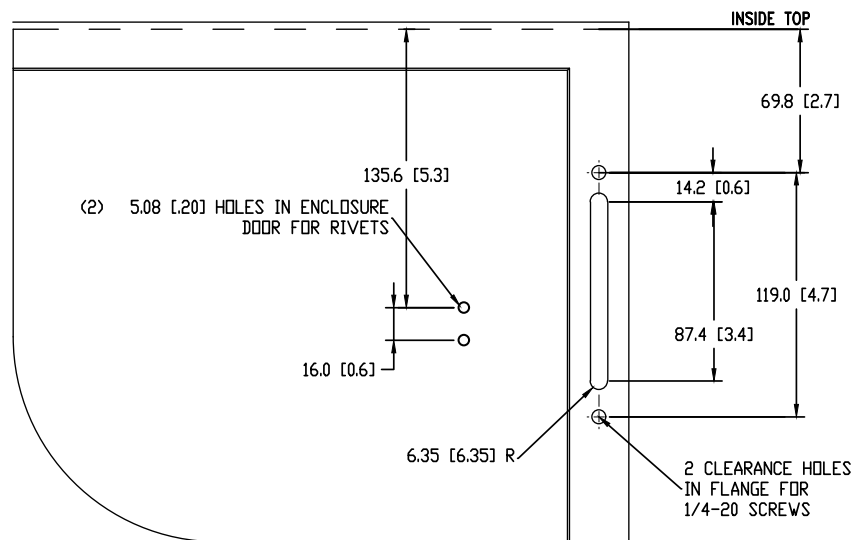
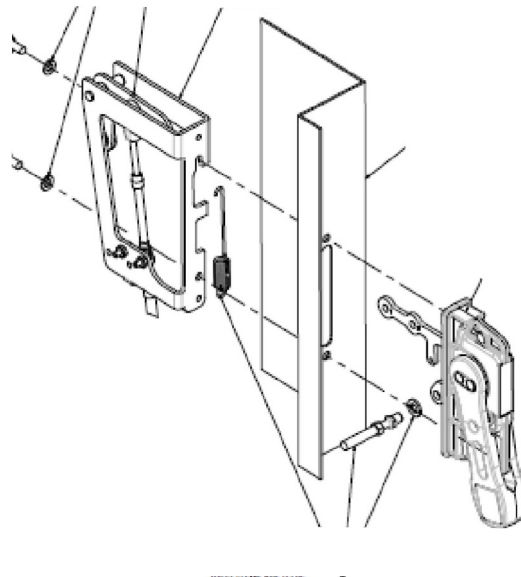


Dimensions Frame 400

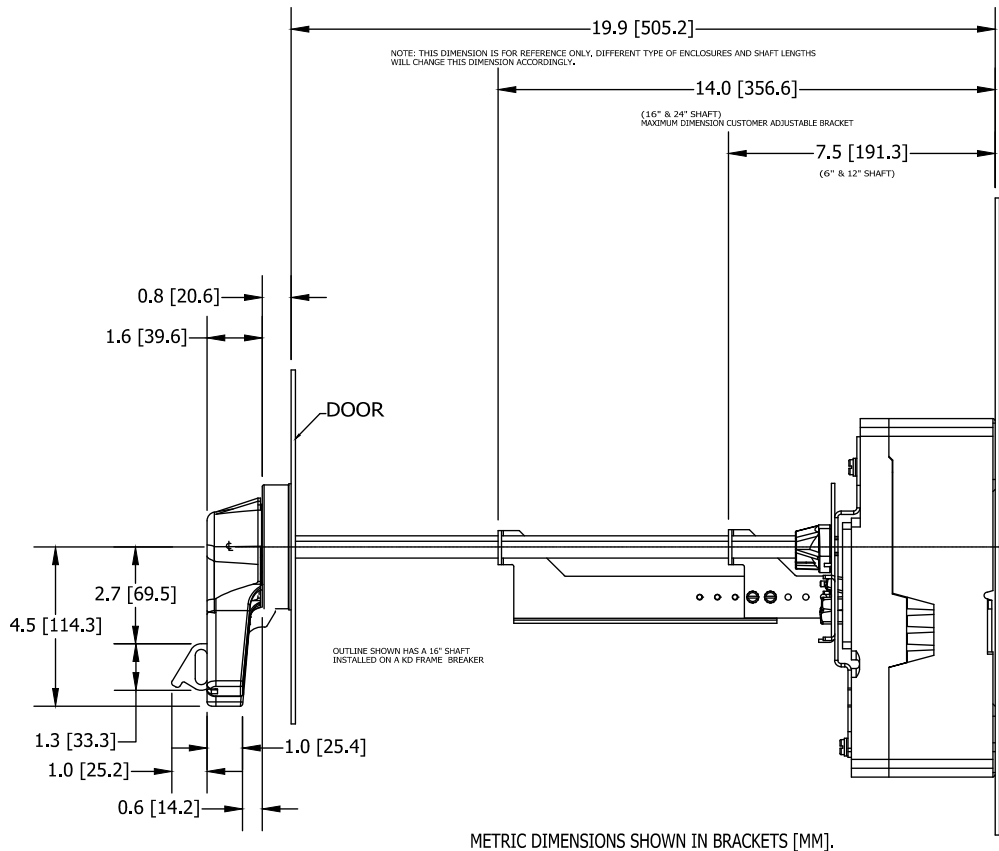
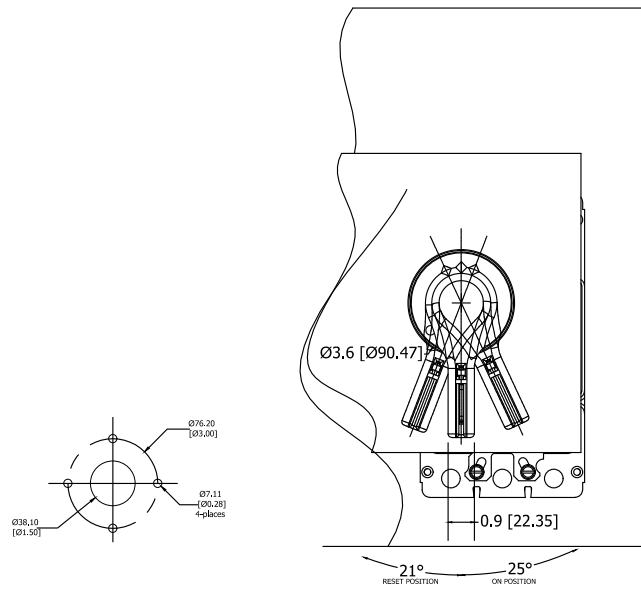


UBW

Dimensions Frame 400 - Flange Handle

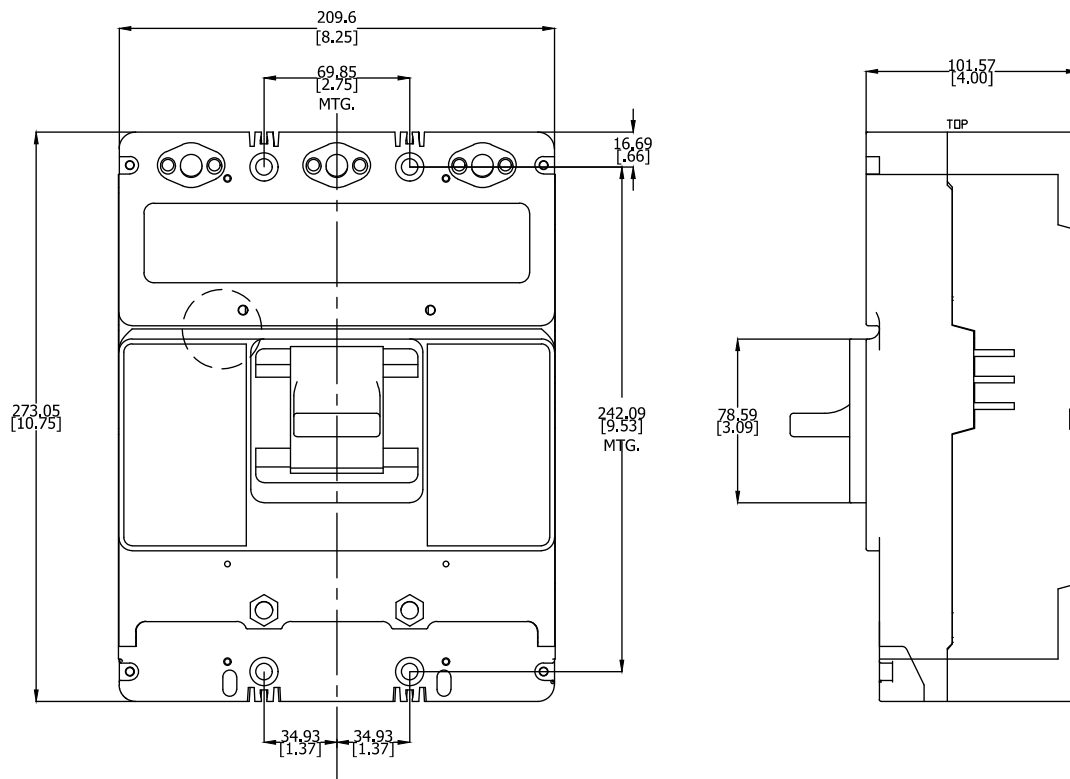
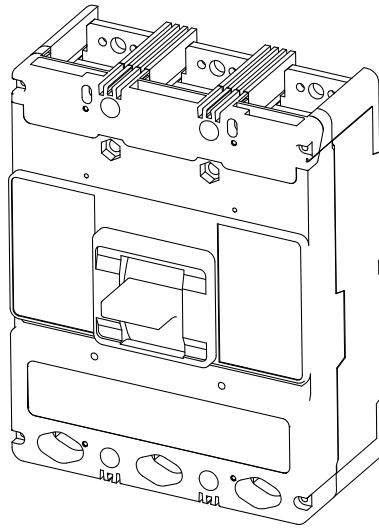


Dimensions Frame 400 - Rotary Handle

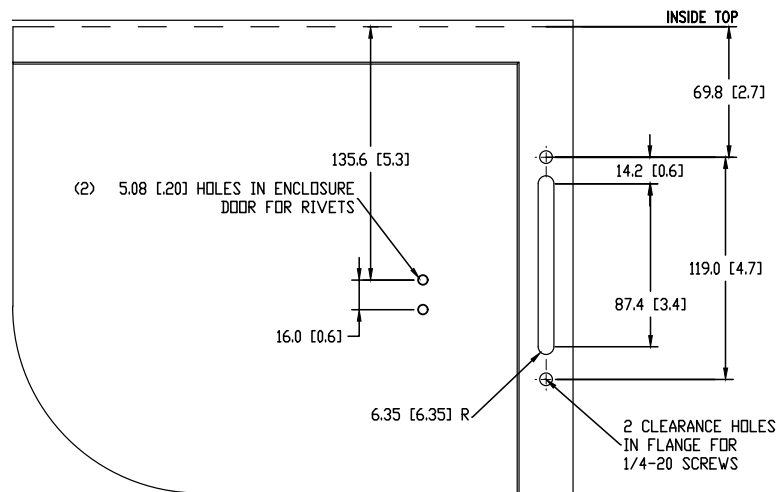
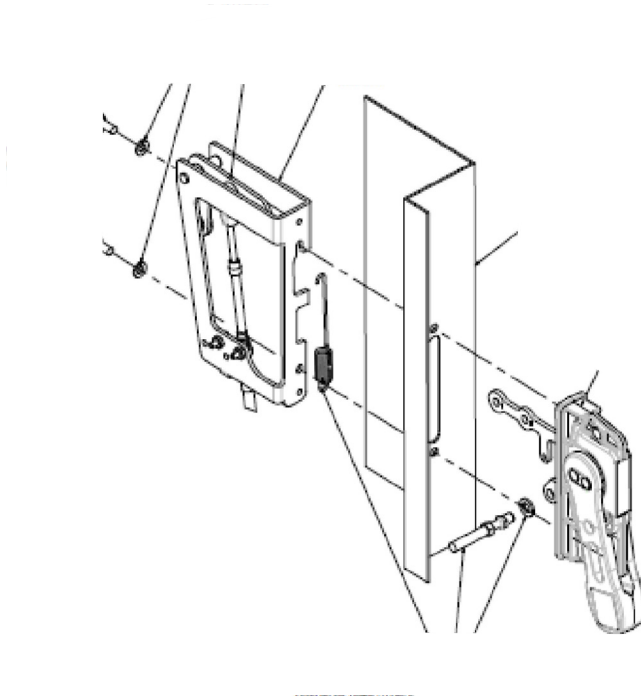


UBW

Dimensions Frame 600

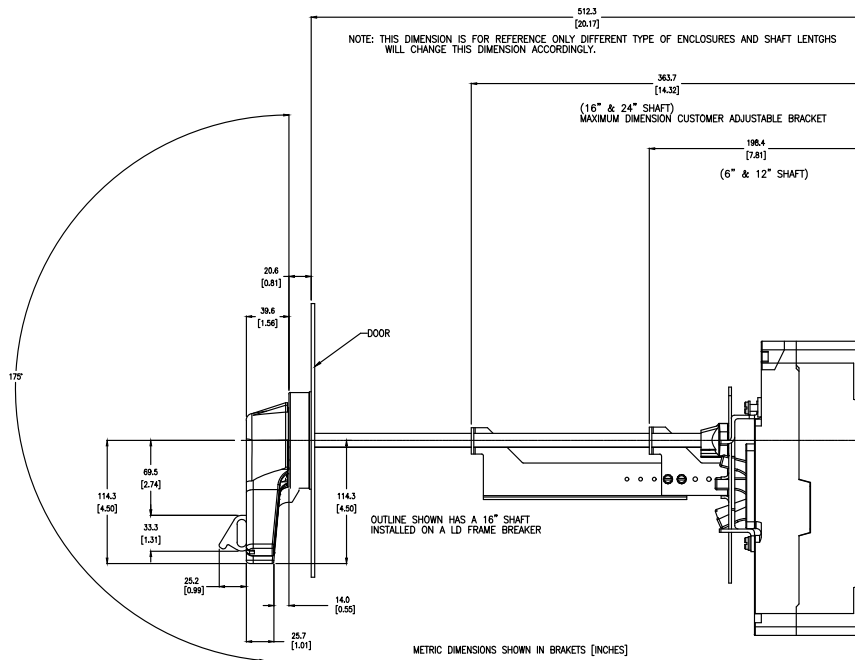
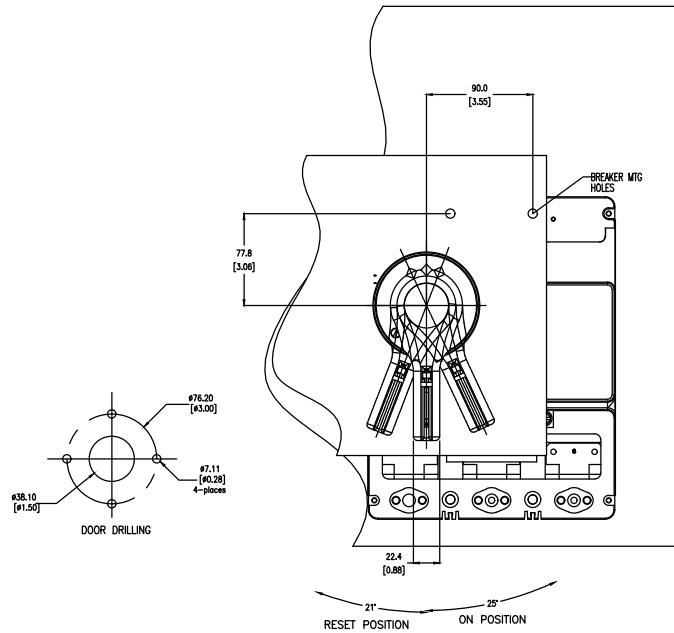


Dimensions Frame 600 - Flange Handle

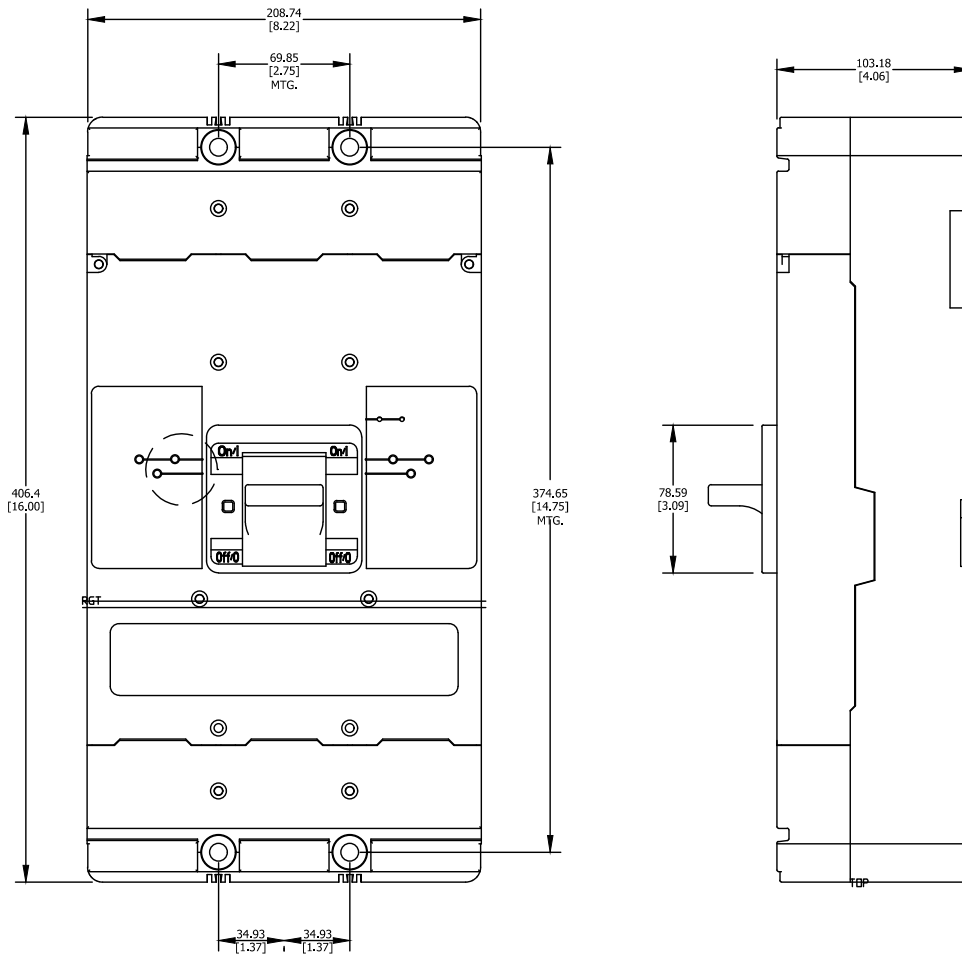
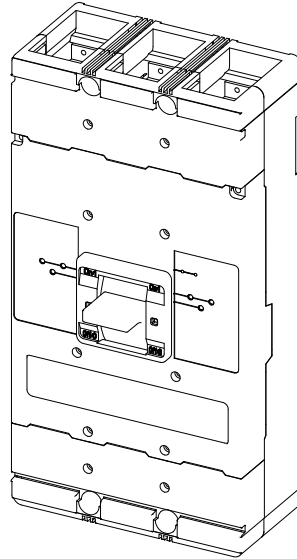


UBW

Dimensions Frame 600 - Rotary Handle

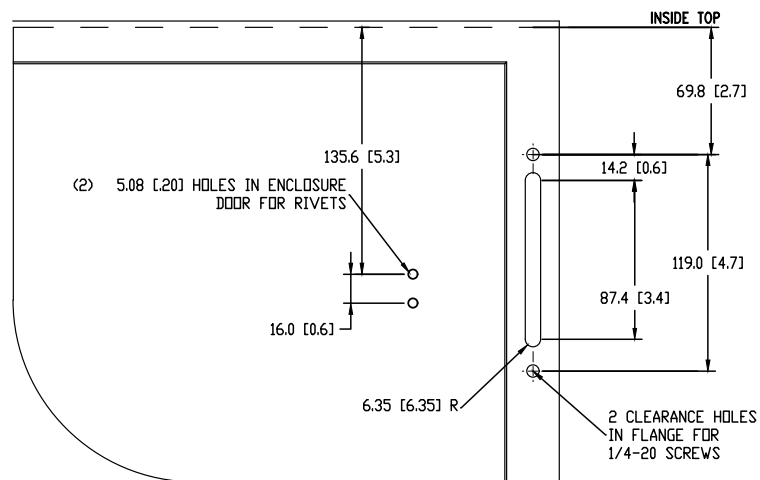
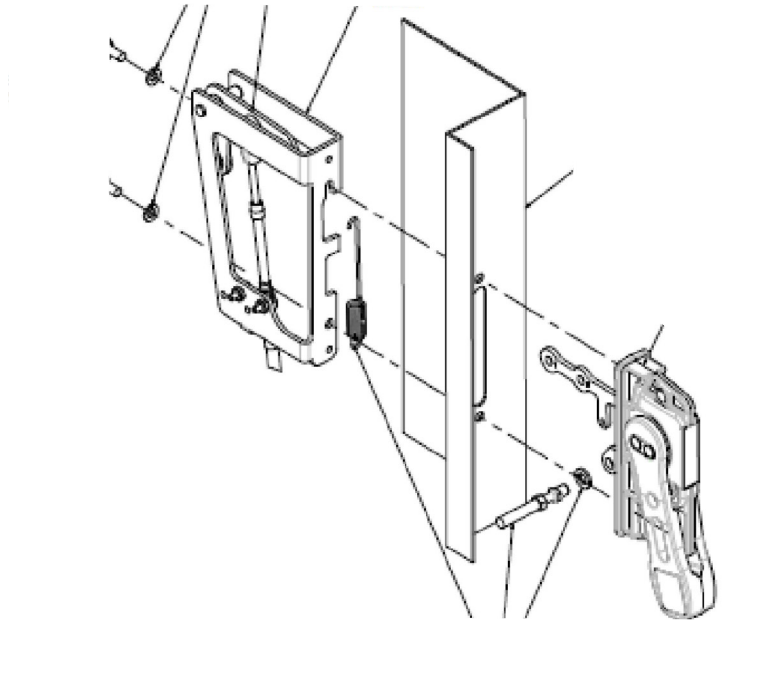


Dimensions Frame 800

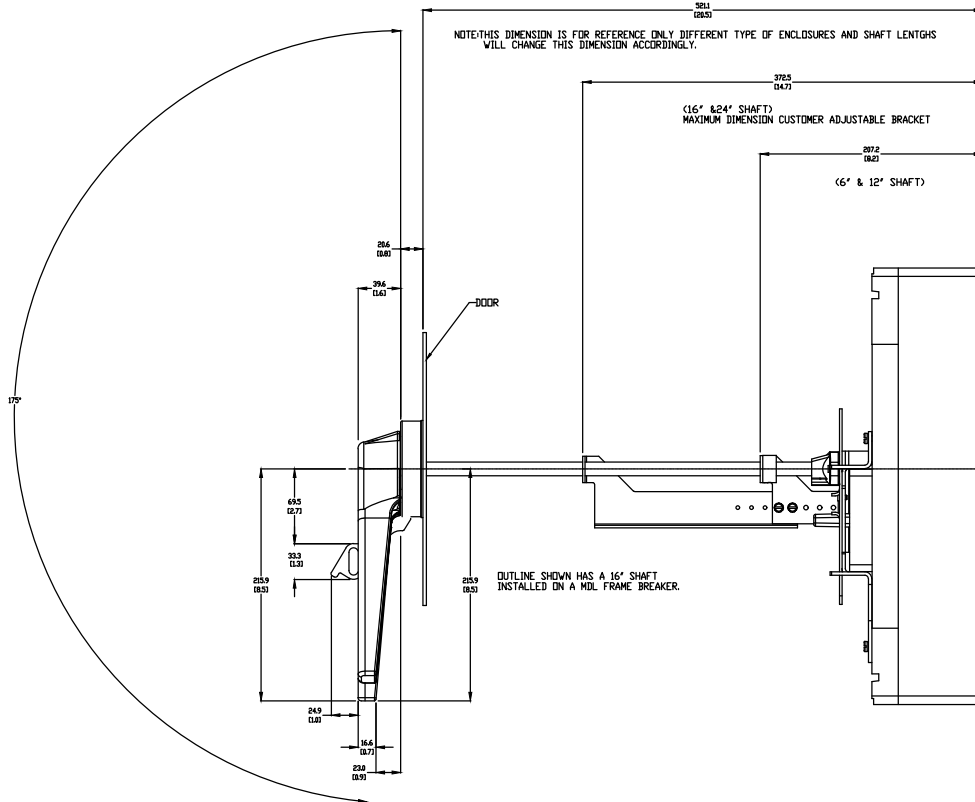
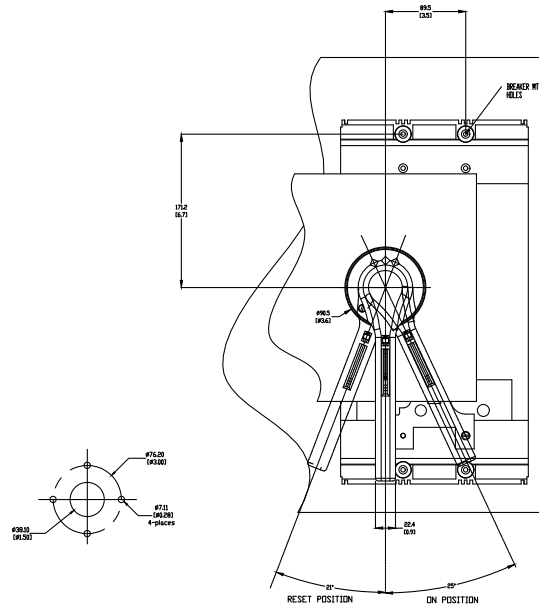


UBW

Dimensions Frame 800 - Flange Handle

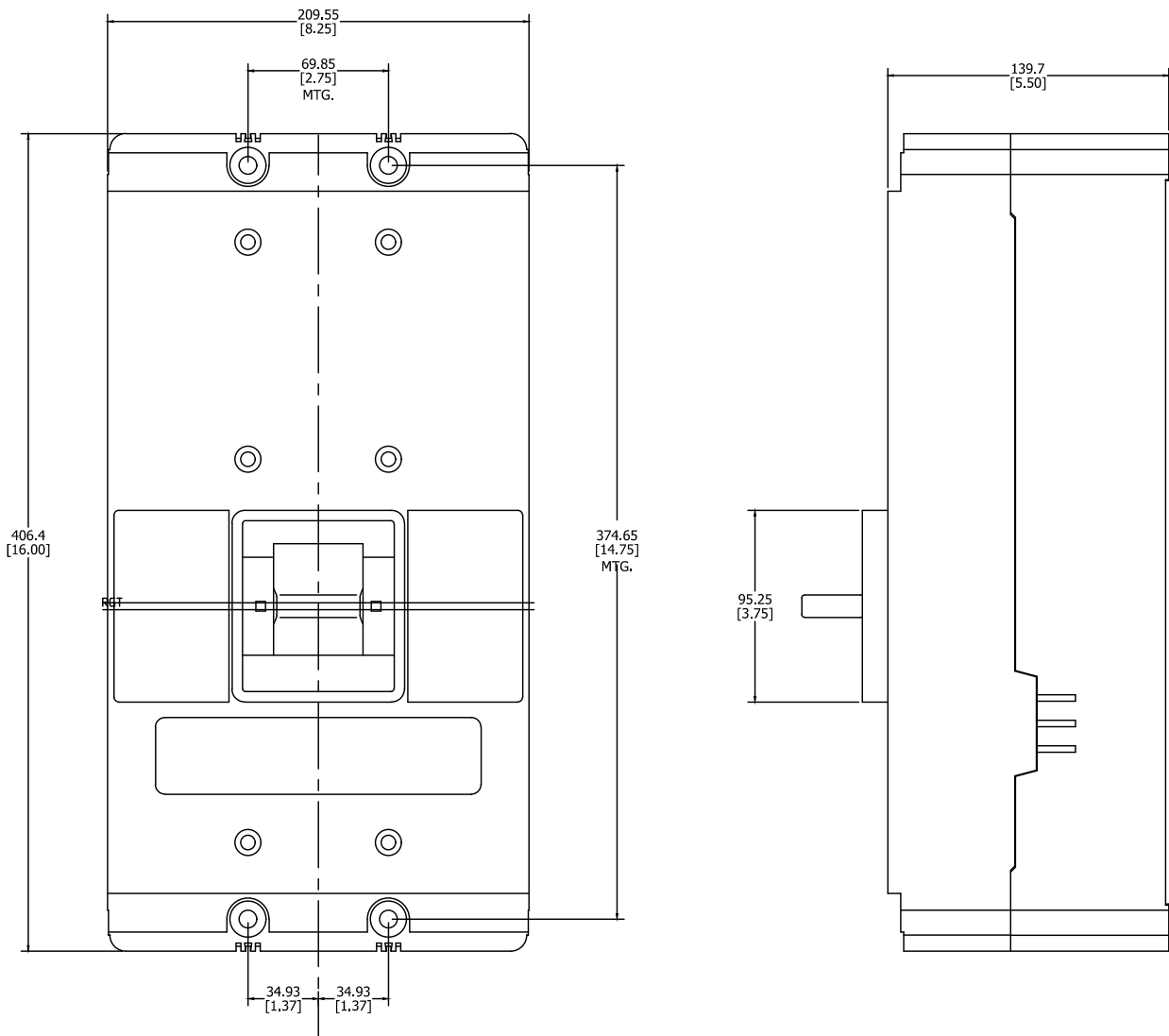
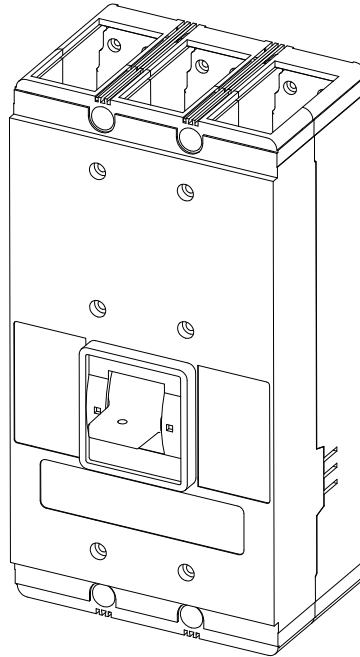


Dimensions Frame 800 - Rotary Handle

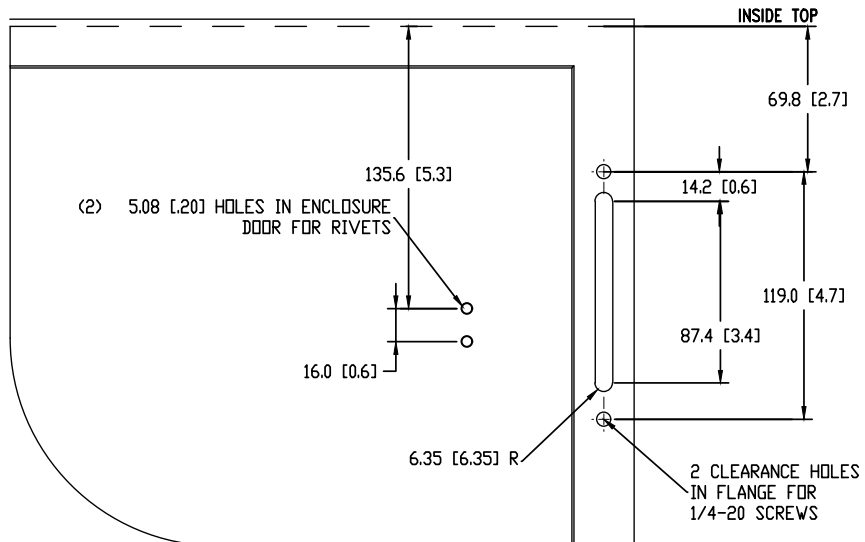
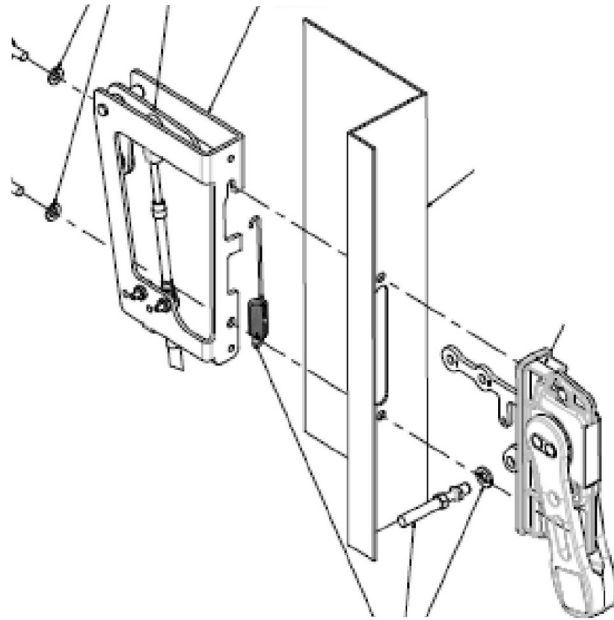


METRIC DIMENSIONS SHOWN IN BRACKETS (MM).

UBW Dimensions Frame 1200

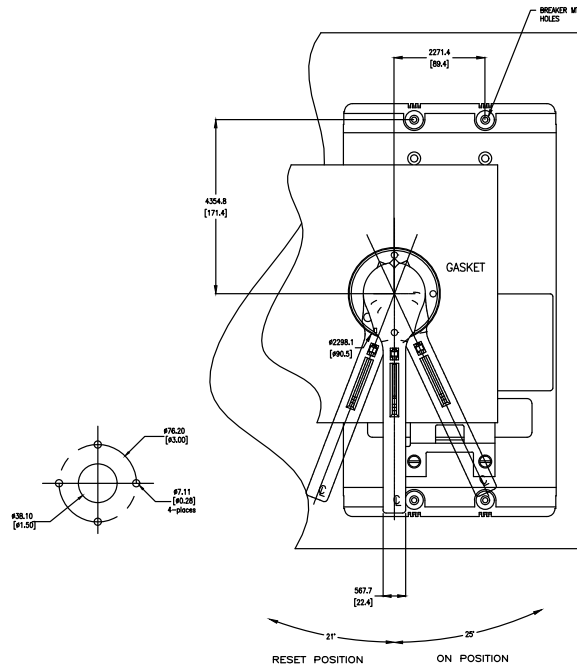


Dimensions Frame 1200 - Flange Handle

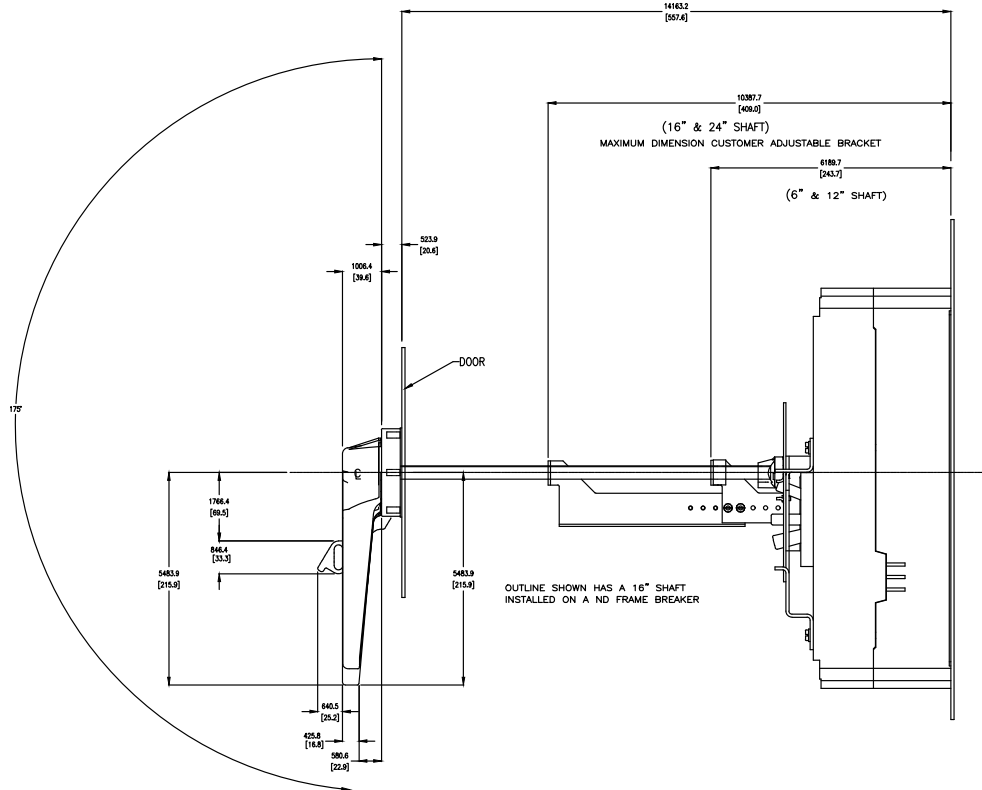


UBW

Dimensions Frame 1200 - Rotary Handle

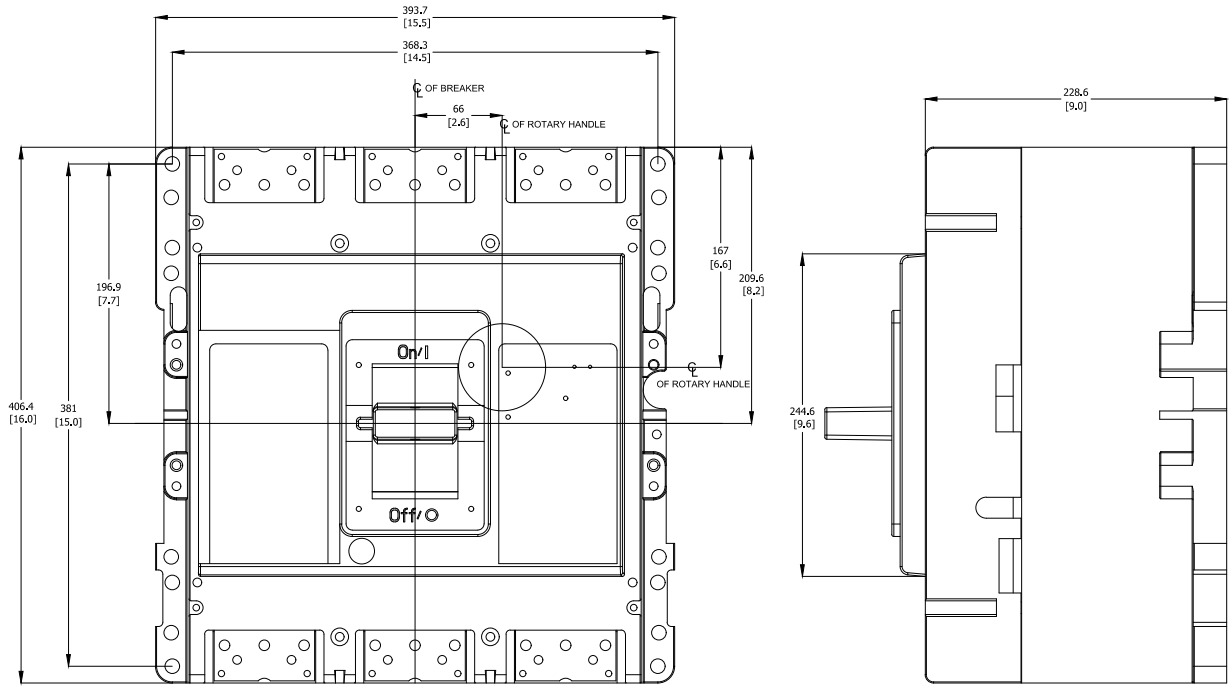


NOTE: THIS DIMENSION IS FOR REFERENCE ONLY DIFFERENT TYPE OF ENCLOSURES AND SHAFT LENGTHS WILL CHANGE THIS DIMENSION ACCORDINGLY.

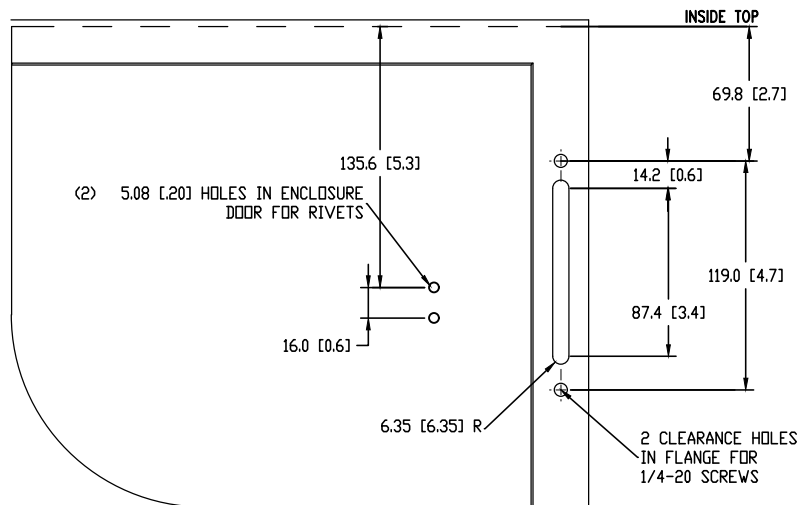
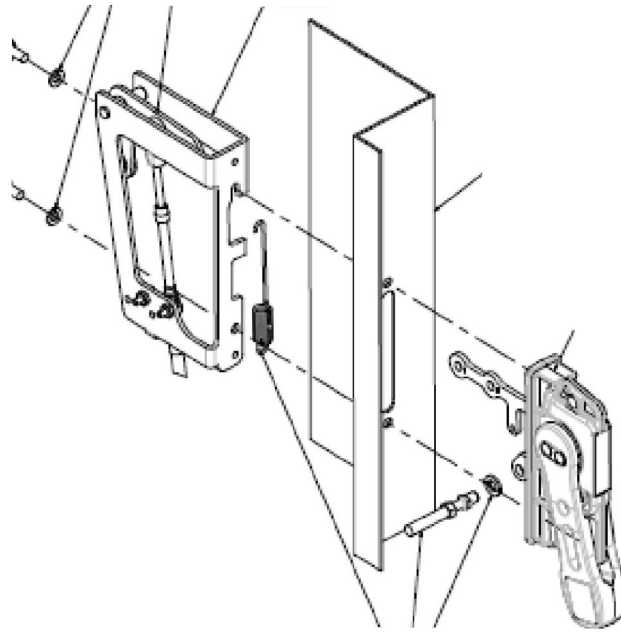


INCHES DIMENSIONS SHOWN IN BRACKET

Dimensions Frame 2500



UBW Dimensions Frame 2500 - Flange Handle



Internal Locations for Breaker Options

Frame 225			
	Left	Center	Right
Auxiliary	■		■
Alarm	●		●
Auxiliary/Alarm	●		●
Shunt Trip	■		■
Undervoltage Release	■		■
■	Applicable in indicated pole position		
●	Maybe mounted left or right (Not Both)		

Frame 250			
	Left	Center	Right
Auxiliary	■		■
Alarm	●		●
Auxiliary/Alarm	●		●
Shunt Trip	■		■
Undervoltage Release	■		■
■	Applicable in indicated pole position		
●	Maybe mounted left or right (Not Both)		

Frame 400			
	Left	Center	Right
Auxiliary	■		■
Alarm	●		●
Auxiliary/Alarm	●		●
Shunt Trip	■		■
Undervoltage Release	■		■
■	Applicable in indicated pole position		
●	Maybe mounted left or right (Not Both)		

Frame 600			
	Left	Center	Right
Auxiliary	■		■
Alarm	■		■
Auxiliary/Alarm	■		■
Shunt Trip	■		■
Undervoltage Release	■		■
■	Applicable in indicated pole position		
●	Maybe mounted left or right (Not Both)		

Frame 800			
	Left	Center	Right
Auxiliary	■		■
Alarm	■		■
Auxiliary/Alarm	■		■
Shunt Trip	■		■
Undervoltage Release	■		■
■	Applicable in indicated pole position		
●	Maybe mounted left or right (Not Both)		

Frame 1200			
	Left	Center	Right
Auxiliary	■		■
Alarm	■		■
Auxiliary/Alarm	■		■
Shunt Trip	■		
Undervoltage Release	■		
■	Applicable in indicated pole position		
●	Maybe mounted left or right (Not Both)		

Frame 2500			
	Left	Center	Right
Auxiliary			■
Alarm			■
Auxiliary/Alarm	N/A	N/A	N/A
Shunt Trip			■
Undervoltage Release			■
■	Applicable in indicated pole position		
●	Maybe mounted left or right (Not Both)		

UBW

ACW to UBW Cross Reference

ACW Breakers Part Number	Description	New UBW Part Number	Comments
ACW125P-FTU15-3	3 Pole 35ka@480vac 15amp	UBW225N-FTU15-3A	Fixed Thermal and Fixed Magnetic
ACW125P-FTU20-3	3 Pole 35ka@480vac 20amp	UBW225N-FTU20-3A	Fixed Thermal and Fixed Magnetic
ACW125P-FTU30-3	3 Pole 35ka@480vac 30amp	UBW225N-FTU30-3A	Fixed Thermal and Fixed Magnetic
ACW125P-FTU40-3	3 Pole 35ka@480vac 40amp	UBW225N-FTU40-3A	Fixed Thermal and Fixed Magnetic
ACW125P-FTU50-3	3 Pole 35ka@480vac 50amp	UBW225N-FTU50-3A	Fixed Thermal and Fixed Magnetic
ACW125P-FTU60-3	3 Pole 35ka@480vac 60amp	UBW225N-FTU60-3A	Fixed Thermal and Fixed Magnetic
ACW125P-FTU80-3	3 Pole 35ka@480vac 80amp	UBW225N-FTU80-3A	Fixed Thermal and Fixed Magnetic
ACW125P-FTU100-3	3 Pole 35ka@480vac 100amp	UBW225N-FTU100-3A	Fixed Thermal and Fixed Magnetic
ACW125P-FTU125-3	3 Pole 35ka@480vac 115amp	UBW225N-FTU125-3A	Fixed Thermal and Fixed Magnetic
ACW250P-FTU160-3	3 Pole 35ka@480vac 160amp	UBW225N-FTU150-3A	New UBW 150 Amp
ACW250P-FTU200-3	3 Pole 35ka@480vac 200amp	UBW225N-FTU200-3A	Adjustable Thermal and Fixed Magnetic
ACW250P-FTU250-3	3 Pole 35ka@480vac 250amp	UBW250N-FTU250-3A	Adjustable Thermal and Fixed Magnetic
ACW400P-FTU300-3	3 Pole 35ka@480vac 300amp	UBW400N-FTU300-3A	Adjustable Thermal and Fixed Magnetic
ACW400P-FTU400-3	3 Pole 35ka@480vac 400amp	UBW400N-FTU400-3A	Adjustable Thermal and Fixed Magnetic
ACW800P-FTU500-3	3 Pole 35ka@480vac 500amp	UBW600N-FTU500-3A	Adjustable Thermal and Fixed Magnetic
ACW800P-FTU600-3	3 Pole 35ka@480vac 600amp	UBW600N-FTU600-3A	Adjustable Thermal and Fixed Magnetic
ACW800P-FTU800-3	3 Pole 35ka@480vac 800amp	UBW800S-FTU800-3A	New UBW 50KA
ACW125W-FTU15-3	3 Pole 65ka@480vac 15amp	UBW225H-FTU15-3A	Fixed Thermal and Fixed Magnetic
ACW125W-FTU20-3	3 Pole 65ka@480vac 20amp	UBW225H-FTU20-3A	Fixed Thermal and Fixed Magnetic
ACW125W-FTU30-3	3 Pole 65ka@480vac 30amp	UBW225H-FTU30-3A	Fixed Thermal and Fixed Magnetic
ACW125W-FTU40-3	3 Pole 65ka@480vac 40amp	UBW225H-FTU40-3A	Fixed Thermal and Fixed Magnetic
ACW125W-FTU50-3	3 Pole 65ka@480vac 50amp	UBW225H-FTU50-3A	Fixed Thermal and Fixed Magnetic
ACW125W-FTU60-3	3 Pole 65ka@480vac 60amp	UBW225H-FTU60-3A	Fixed Thermal and Fixed Magnetic
ACW125W-FTU80-3	3 Pole 65ka@480vac 80amp	UBW225H-FTU80-3A	Fixed Thermal and Fixed Magnetic
ACW125W-FTU100-3	3 Pole 65ka@480vac 100amp	UBW225H-FTU100-3A	Fixed Thermal and Fixed Magnetic
ACW125W-FTU125-3	3 Pole 65ka@480vac 115amp	UBW225H-FTU125-3A	Fixed Thermal and Fixed Magnetic
ACW250W-FTU160-3	3 Pole 65ka@480vac 160amp	UBW225H-FTU150-3A	New UBW 150 Amp
ACW250W-FTU200-3	3 Pole 65ka@480vac 200amp	UBW225H-FTU200-3A	Adjustable Thermal and Fixed Magnetic
ACW250W-FTU250-3	3 Pole 65ka@480vac 250amp	UBW250H-FTU250-3A	Adjustable Thermal and Fixed Magnetic
ACW400W-FTU300-3	3 Pole 65ka@480vac 300amp	UBW400H-FTU300-3A	Adjustable Thermal and Fixed Magnetic
ACW400W-FTU400-3	3 Pole 65ka@480vac 400amp	UBW400H-FTU400-3A	Adjustable Thermal and Fixed Magnetic
ACW800W-FTU500-3	3 Pole 65ka@480vac 500amp	UBW600H-FTU500-3A	Adjustable Thermal and Fixed Magnetic
ACW800W-FTU600-3	3 Pole 65ka@480vac 600amp	UBW600H-FTU600-3A	Adjustable Thermal and Fixed Magnetic
ACW800W-FTU800-3	3 Pole 65ka@480vac 800amp	UBW800S-FTU800-3A	New UBW 50KA



WEG Electric Corp. offers the following products, and more! With a full range of IEC/NEMA Global Certifications and a full line of products, WEG can supply the right solution for your needs anywhere in the world. To learn more about WEG's products and solutions or to locate a Distributor near you, please call **1-800-ASK-4WEG** or visit **www.weg.net**.

Low Voltage Motors,

Single and 3-Phase, 1/8 – 700HP

- General Purpose Motors
- Explosion Proof Motors
- Crusher Duty Motors
- IEC Tru-Metric Motors
- Pump Motors including JP/JM
- P-Base Pump Motors
- Oil Well Pumping Motors
- Pool & Spa Motors
- Brake Motors
- Compressor Duty Motors
- Farm Duty Motors
- Poultry Fan Motors
- Auger Drive Motors
- IEEE 841 Motors
- Stainless Steel Wash Down Motors
- Saw Arbor Motors
- Cooling Tower Motors
- Commercial HVAC Motors
- Pad Mounted Motors
- Vector Duty Motors

Large Electric Motors

- Low Voltage 3-phase motors up to 2,500HP
- Motors up to 70,000HP and 13,200V
- Wound Rotor Systems (including starters) up to 70,000HP and 13,200V
- Synchronous Motors up to 70,000HP and 13,200V
- Explosion proof motors (Ex-d) up to 1,500kW and 11kV
- Ex-n, Ex-e, Ex-p motors

Variable Frequency Drives

- Low Voltage 1/4 to 2500HP, 230V – 480V
- Medium Voltage 500-8000HP
- Multi-pump systems
- NEMA 4X
- Dynamic braking resistors
- Line and load reactors
- Plug and play technology
- Network communications: Profibus-DP, DeviceNet, Modbus-RTU
- PLC functions integrated
- Complete line of options and accessories

Soft Starters

- 3-1500HP
- Oriented start-up
- Built-in bypass contactor
- Universal source voltage (230-575V, 50/60Hz)
- Network communications: Profibus-DP, DeviceNet, Modbus-RTU
- Complete Line of options and accessories
- MV Soft-starter 3.3kV, 41.6kV: up to 3500HP, Withdrawable Power Stacks, & 8x PT100 Temperature monitoring

Controls

- Mini – Contactors
- IEC Contactors
- Thermal Overload Relays
- Manual Motor Protectors
- Molded Case Circuit Breakers
- Smart Relays
- Enclosed Starters: combination & non-combination,
- Pushbuttons & Pilot Lights
- Timing & Motor Protection Relays
- Terminal Blocks

Custom Panels

- Custom configured to your specification.
- NEMA 1, 12, 3R, 4 and 4X cabinets
- Quick delivery of preconfigured drives and soft starters
- UL 508 certified
- Low Voltage (230-460)
- Made in the U.S.A.

Generators

- Brushless Synchronous Generators for diesel gen-sets up to 4,200kVA
- Hydro-generators up to 25,000kVA
- Turbo-generators up to 62,500kVA

Power Transformers

- Built and engineered in North America
- Voltages < 500kV
- Ratings 5-300MVA
- Station class, oil filled, round core, copper windings
- Special configurations and designs available!
- Ask your WEG Sales Representative for details.
- Designed, built, and engineered to ANSI standards.

Custom Solution Package Sales

- WEG can package any of its products for ease of sale! Enjoy a single point of contact for the entire package of products and assistance from quote through after-sales support. Ask your WEG Sales Representative for details.

Please contact your authorized distributor:



WEG Electric Corp.
6655 Sugarloaf Parkway
Duluth, GA 30097
Phone: 1-800-ASK-4WEG
www.weg.net

