

(for full line of products see WEG's Automation Catalogs)

CFW300 Variable Frequency Drive.	A-295
CFW500 Variable Frequency Drive.	A-300
CFW700 Variable Frequency Drive.	A-307
CFW08 Wash - Washdown Duty VFD.	A-317
EDP11 - Enclosed VFD Panel.	A-323
EDP11 - Enclosed VFD Panel - Dimensions	A-331
GPH2 - Combination Soft Starter	A-335
GPH2 - Combination Soft Starter - Dimensions	A-339
ESW Non-Combination Across the Line Starters - Enclosure Type 1	A-345
ESWS Starters and Field Mod Kits	A-346
ESW Wiring Diagram and Dimensions	A-347
PESW Non-Combination Across the Line Starters - Enclosure Type 4X.	A-348
PESW Wiring Diagram and Dimensions	A-350
ESWC Combination Type-C Across the Line Starter without CPT	A-353
ESWC Combination Type-C Across the Line Starter with CPT.	A-354
ESWE Combination Type-E Across the Line Starter Enclosure Type 4X - without CPT.	A-355
ESWE Combination Type-E Across the Line Starter Enclosure Type 4X - with CPT	A-355
ESWF Combination Type-F Across the Line Starter Enclosure Type 4/12 - without CPT	A-356
ESWF Combination Type-F Across the Line Starter Enclosure Type 4/12 - with CPT.	A-357
Dimensional Data	A-358
ESWX-M16 Series Explosion Proof Manual Motor Starters.	A-361
ESWX-M25 Series Explosion Proof Manual Motor Starters.	A-362
ESWX-M65 Series Explosion Proof Manual Motor Starters.	A-362
ESWX-M100 Series Explosion Proof Manual Motor Starters.	A-362
Accessories	A-363
ESWX NEMA 7/9 Series Explosion Proof Manual Motor Starters.	A-364
ESWX Dimensional Data	A-365
Custom Control Panels Data Worksheet and Request for Quote	A-368
Medium Voltage Starters	
SSW7000 - 2300V and 4160V	A-371
SSW7000 Options.	A-372
SSW7000 Dimensions	A-372
SSW7000 Technical Data	A-374

Variable
Frequency
Drives and
Enclosed Motor
Controls

The CFW300 variable frequency drive is a high-performance VFD for three-phase induction motors. It is ideal for applications on machines or equipment that require precise control with easy setup and operation.

The CFW300 features a compact size with contactor-style electrical connections (top in / bottom out). The VFD's performance can be scaled to match the application by selecting WEG vector control (VVW) or scalar control (V/F). The CFW300 includes built-in operator interface (HMI) and SoftPLC with free WPS programming software for custom tailored control schemes. A variety of plug-in option modules for additional I/O and communications protocols may be added to provide extended capabilities, making the CFW300 a flexible and cost effective solution for your variable speed requirements.



Standard Features

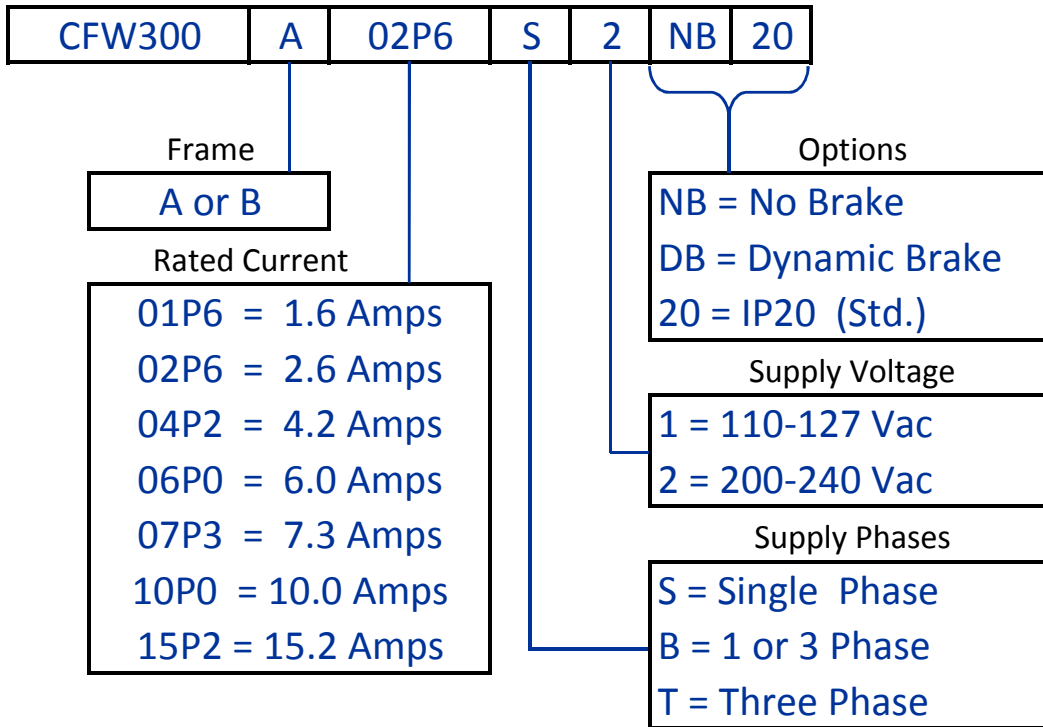
- Single and three-phase voltage supply
- Din rail or surface mounting with screws
- Voltage range: • 110-127 Vac and 200-240 Vac for single-phase models
- 200-240 Vac for three-phase models
- Current / Power range: up to 15.2 Amps / 3.7 kW (5 HP)
- Control mode: Scalar (V/Hz) or Voltage Vector (VVW)
- Switching frequency: 2.5, 5, 10 or 15kHz
- Overload capacity: 150% for 60 sec. every 10min, 200% for 3 sec. every 10min.
- Degree of protection: IP20
- Operating temperature: 14 • 122°F (50°C); up to 140°F (60°C) with current derating (2% per 1°C above 50°C)
- Altitude: 0 • 3300 ft. (1000m); up to 13,200 ft. (4000m) with current derating (1% per 100m above 1000m)
- Humidity: 5 to 95% non-condensing
- Integrated brake chopper for frame size B (not available for size A)
- Local keypad supplied as standard

Variable
Frequency
Drives and
Enclosed Motor
Controls

Applications

- Centrifugal pumps
- Fans / Blowers
- Blenders / Mixers
- Centrifuges
- Compressors
- Conveyors
- Roller Tables
- Granulators
- Commercial Dryers
- Rotary Filters

CFW300 Catalog Number Sequence



IP20 Enclosure

Motor Voltage	Motor HP ¹	Drive Output Amps ²	Catalog Number	Braking Transistor	Frame Size	Dimensions (in.) HxWxD	Approx. Weight Lbs. (kg)	List Price	Multiplier Symbol	
230 Vac / 3 Phase	Input Power Supply: Single-Phase 110-127 Vac									
	1/4 or 1/3	1.6	CFW300A01P6S1NB20	No	A	6.3 x 2.8 x 5.9	2.0 (0.9)	\$361	V1	
	3/4	2.6	CFW300A02P6S1NB20	No	A	6.3 x 2.8 x 5.9	2.0 (0.9)	\$394	V1	
	1	4.2	CFW300A04P2S1NB20	No	A	6.3 x 2.8 x 5.9	2.0 (0.9)	\$420	V1	
	2	6.0	CFW300A06P0S1NB20	No	A	6.3 x 2.8 x 5.9	2.0 (0.9)	\$507	V1	
	Input Power Supply: Single-Phase 200-240 Vac									
	1/4 or 1/3	1.6	CFW300A01P6S2NB20	No	A	6.3 x 2.8 x 5.9	2.0 (0.9)	\$323	V1	
	3/4	2.6	CFW300A02P6S2NB20	No	A	6.3 x 2.8 x 5.9	2.0 (0.9)	\$348	V1	
	1	4.2	CFW300A04P2S2NB20	No	A	6.3 x 2.8 x 5.9	2.0 (0.9)	\$371	V1	
	2	6.0	CFW300A06P0S2NB20	No	A	6.3 x 2.8 x 5.9	2.0 (0.9)	\$461	V1	
	2	7.3	CFW300A07P3S2NB20	No	A	6.3 x 2.8 x 5.9	2.0 (0.9)	\$543	V1	
	3	10.0	CFW300B10P0B2DB20 ³	Yes	B	8.1 x 2.8 x 6.3	3.0 (1.4)	\$648	V1	
	Input Power Supply: Three-Phase 200-240 Vac									
	1/4 or 1/3	1.6	CFW300A01P6T2NB20	No	A	6.3 x 2.8 x 5.9	2.0 (0.9)	\$343	V1	
	3/4	2.6	CFW300A02P6T2NB20	No	A	6.3 x 2.8 x 5.9	2.0 (0.9)	\$376	V1	
	1	4.2	CFW300A04P2T2NB20	No	A	6.3 x 2.8 x 5.9	2.0 (0.9)	\$399	V1	
	2	6.0	CFW300A06P0T2NB20	No	A	6.3 x 2.8 x 5.9	2.0 (0.9)	\$484	V1	
	2	7.3	CFW300A07P3T2NB20	No	A	6.3 x 2.8 x 5.9	2.0 (0.9)	\$571	V1	
	3	10.0	CFW300B10P0B2DB20 ³	Yes	B	8.1 x 2.8 x 6.3	3.0 (1.4)	\$648	V1	
	5	15.2	CFW300B15P2T2DB20	Yes	B	8.1 x 2.8 x 6.3	3.0 (1.4)	\$792	V1	

Notes:

- 1) "HP" rating based on "average FLA values". Use as a guide only.
- 2) Motor FLA may vary with speed and manufacturer. ALWAYS compare motor FLA to Nominal AMPS of drive.
- 3) CFW300B10P0B2DB20 is capable of Single-Phase input without derating. For other technical data please refer to WEG product manual.

Options and Accessories¹

Type	CATALOG NUMBER	Description	Approx. Wt. (lbs.)	List Price	Multiplier Symbol
I/O ²	CFW300-IOAR	I/O Expansion Module; 1 AI, 1 AO, 3 DOR, +10vdc	0.2	\$141	V1
I/O ²	CFW300-IODR	I/O Expansion Module; 4 DI, 3 DOR	0.2	\$108	V1
I/O ²	CFW300-IOAENC	I/O and Encoder Module; 1 AI, 2 AO, +10vdc, 1 Incremental Encoder Input, +5vdc	0.2	\$143	V1
I/O ²	CFW300-IOADR	I/O Expansion Module; 1 NTC Sensor Input, 3 DOR	0.2	\$207	V1
RS485 Card	CFW300-CRS485	RS-485 Module; 1 RS-485 Input (Modbus-RTU), 1 Mini USB for Remote Keypad	0.2	\$82	V1
USB Card	CFW300-CUSB	USB Communication Module w/ 2-meter Cable; 1 Mini USB	0.2	\$87	V1
RS232 Card	CFW300-CRS232	RS-232 Communication Module (Modbus-RTU); 1 RS232	0.2	\$82	V1
CANopen Card	CFW300-CCAN	CANopen/DeviceNet Comm. Module; 1 CAN/DeviceNet, External 24vdc Power	0.2	\$100	V1
Profibus DP Card	CFW300-CPDP	Profibus DP Communication Module; 1 Profibus DP 9-Pin Connector	0.2	\$294	V1
Remote Keypad	CFW300-KHMIR	Remote Keypad; Includes CFW300-CRS485 and 3-meter Cable	0.4	\$256	V1
Flash Memory Module	CFW300-MMF	Flash Memory Module for saving program and parameters to/from drive.	0.2	\$210	V1
RFI Filter Kit – Fr. A	CFW300-KFA	CFW300 RFI Filter Kit – Frame Size A - SINGLE PHASE INPUT MODELS ONLY	0.3	\$90	V1
RFI Filter Kit – Fr. B	CFW300-KFB	CFW300 RFI Filter Kit – Frame Size B - SINGLE PHASE INPUT MODELS ONLY	0.3	\$105	V1

Notes:

- 1) Up to Qty. (1) I/O Expansion Module plus Qty. (1) Communication Module can be added to the CFW300 VFD.
- 2) Option card I/O is in addition the standard CFW300 I/O which includes: 4 DI, 1 AI, 1 DOR.

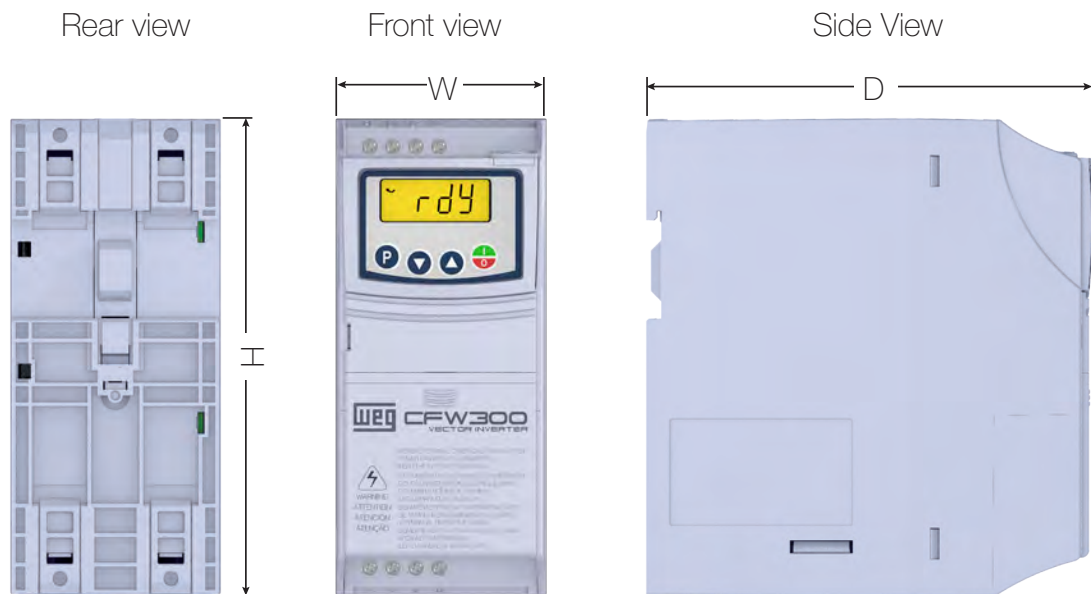
CFW300

Option Card and I/O Table

CFW 300 Option Modules	DI ¹	AI	AO	DOR	Encoder	Infrared	RS485	RS232	USB	CANopen	Profibus-DP
CFW300-IOAR	4	1	1	3							
CFW300-IODR	4 + 4			3							
CFW300-IOAENC	4	1	2		1						
CFW300-IOADR	4	1		3		1					
CFW300-CRS485	4						1				
CFW300-CRS232	4							1			
CFW300-CUSB	4								1		
CFW300-CCAN	4									1	
CFW300-CPDP											1

Notes: 1) CFW300 Drive includes 4DI as standard. Option Modules provide suplimental I/O as shown in this table.

Dimensions



Frame Size IP20	Height in. (mm)	Width in. (mm)	Depth in. (mm)	Weight Lbs. (kg)
A (w/o RFI)	6.3 (157.9)	2.8 (70.0)	5.9 (148.4)	2.0 (0.9)
A (w/RFI)	7.8 (196.0)	2.8 (70.0)	7.5 (190.1)	2.9 (1.3)
B (w/o RFI)	8.1 (198.9)	2.8 (70.0)	6.3 (158.4)	3.0 (1.4)
B (w/ RFI)	9.4 (237.0)	2.8 (70.0)	7.9 (200.1)	4.0 (1.8)

Technical Data

Power Supply	Voltage	Single Phase	110-127 Vac (+10%, -15%)
		Single Phase or Three Phase	200-240 Vac (+10%, -15%)
	Frequency	50 / 60Hz +/- 2Hz	
Output	Voltage	0-230 Vac Three Phase	
	Frequency	0-400 Hz, 0.1Hz Resolution	
Control	Control Modes	Volts per Hertz (Scalar)	
		Sensorless Voltage Vector	
		Sinusoidal PWM (Space Vector Modulation)	
	Switching Frequency	2.5, 5, 10 or 15kHz	
	Frequency Range	0-400 Hz	
	Overload Capacity	150% for 60 seconds, repeatable every 10 min.	
Control Inputs	4 programmable isolated digital inputs, NPN or 24Vdc logic (PNP)		
	1 programmable differential analog input; programmable for current or voltage		
Control Outputs	1 programmable relay output: One NO/NC (Form C) 250 Vac / 0.5 A		
Communication	Field Bus	Optional modules for RS-485, RS-232, CANopen, DeviceNet, Profibus-DP, USB	
Safety	Protections	Motor over current	DC link over voltage
		Motor overload	DC link under voltage
		Output phase-to-phase short circuit	Drive over temperature
		Output phase-to-ground short circuit	External fault
		Programming error	
Enclosure	Degree of Protection	IP20	
	Mounting	Surface mounting with screws or DIN rail mounting	
Ambient	Temperature	14 - 122°F (50°C), up to 140°F (60°C) with 2% / 1.8°F (1°C) output current derating	
	Humidity	5-95% Non Condensing	
	Altitude	0-3300 ft (1000m) Up to 13,200 ft (4000m) with 1% / 330ft (100m) output current derating	
Regulatory Conformance	EMC Directive 89 / 336 / EEC	Electromagnetic compatibility – Industrial Environment EMC Emission and Immunity with optional filter	
	ENC61800-2, 3, 5-1 ENC61800-4-2, 3, 4, 5, 6		
	LVD 73/23/EEC	Low Voltage Directive	
	UL 508C, UL 840, UL 50	Electrical Equipment standards	
Special Functions	Linear and “S” ramp accel and decel, local/remote control, FWD/REV selection, DC braking, manual and auto torque boost, motor slip compensation, electronic pot, two skip frequencies, maximum and minimum adjustable frequency limits, adjustable output current		
Keypad	4 digit LCD display and 4 keys		
	Readouts for: output frequency (Hz), output current (A), output voltage (V), motor torque (%) in vector mode, DC bus voltage (V), value proportional to frequency (Ex.: RPM), fault and status messages		

Variable Frequency Drives and Enclosed Motor Controls

CFW500

Developed for fast commissioning, the CFW500 VFD is perfect for machines. Extremely compact and cost-effective, it meets the needs of machine manufacturers, system integrators, panel installers and users. The CFW500 has advanced technology plug and play options, developed for fast commissioning, providing great flexibility and competitive advantage while offering excellent performance and reliability. Designed for exclusively industrial or professional use, perfect for OEM, system integrators, panel installers and End Users providing great benefit from the added value.

Standard Features

- Compatible - wide range of accessories
- Single and Three phase input voltage
- 200 - 240v, 380 - 480v or 500 - 600v in put range
- v/hz and sensorless vector control
- Flexible - application functions
- Robust - 150% overload for one minute
- Efficient - provides optimal speed for production
- Reliable - 100% are tested with rated load at the factory
- Integrable - Fieldbus networks



IP20

NEMA1



Applications

- Centrifugal pumps
- Compressors
- Process dosing pumps
- Fans/ventilators
- Mixers/blenders
- Commercial dryers
- Extruders
- Conveyor belts
- Elevators
- General machinery

CFW500 Catalog Number Sequence

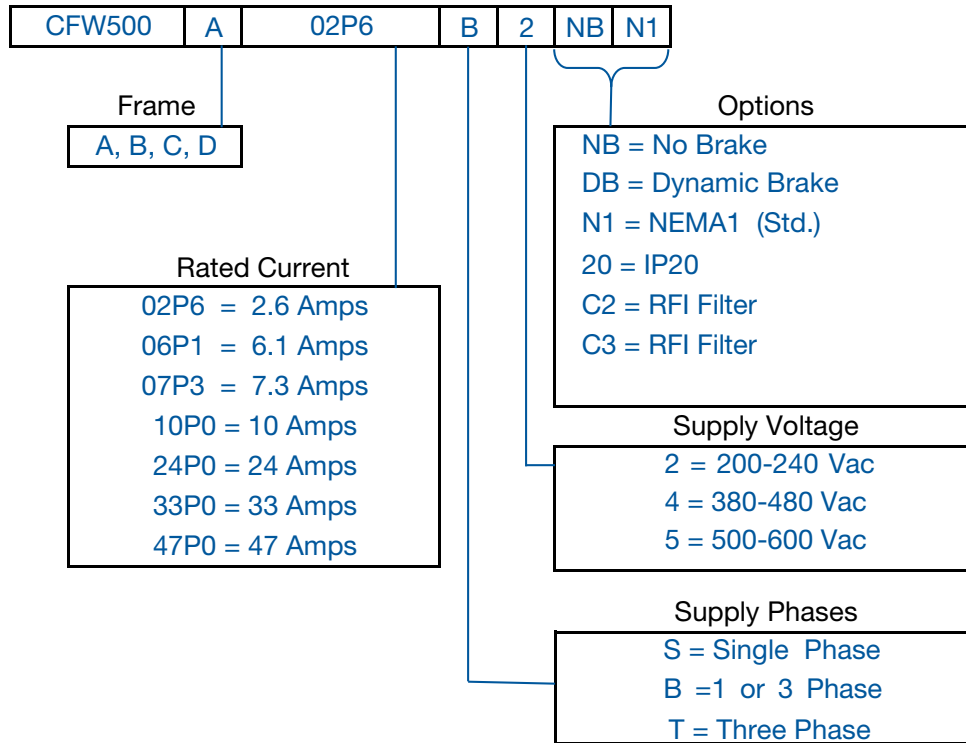


Table intended as reference and not to create part numbers.

CFW500

IP20 Finger Safe Enclosure

Motor Voltage	Motor HP ¹	Drive Amps ²	Catalog Number	Braking Transistor	Frame Size	Dimensions (in.) HxWxD	Approx. Weight (lbs.)	List Price	Multiplier	
230 Vac/3 Phase	Input Power Supply: Single-Phase 200-240 Vac									
	1/3	1.6	CFW500A01P6S2NB20	No	A	7.5 x 3.0 x 5.9	1.8	\$451	V1	
	3/4	2.6	CFW500A02P6S2NB20	No	A	7.5 x 3.0 x 5.9	1.8	\$463	V1	
	1 1/2	4.3	CFW500A04P3S2NB20	No	A	7.5 x 3.0 x 5.9	1.8	\$499	V1	
	2	7.3	CFW500A07P0S2NB20	No	A	7.5 x 3.0 x 5.9	1.8	\$633	V1	
	Input Power Supply: Single or Three-Phase 200-240 Vac									
	1/3	1.6	CFW500A01P6B2NB20	No	A	7.5 x 3.0 x 5.9	1.8	\$456	V1	
	3/4	2.6	CFW500A02P6B2NB20	No	A	7.5 x 3.0 x 5.9	1.8	\$467	V1	
	1 1/2	4.3	CFW500A04P3B2NB20	No	A	7.5 x 3.0 x 5.9	1.8	\$506	V1	
	2	7.3	CFW500B07P3B2DB20	Yes	B	7.9 x 4.0 x 6.3	2.6	\$678	V1	
	3	10.0	CFW500B10P0B2DB20	Yes	B	7.9 x 4.0 x 6.3	2.6	\$789	V1	
	Input Power Supply: Three-Phase 200-240 Vac									
	2	7.0	CFW500A07P0T2NB20	No	A	7.5 x 3.0 x 5.9	1.8	\$628	V1	
	3	9.6	CFW500A09P6T2NB20	No	A	7.5 x 3.0 x 5.9	1.8	\$773	V1	
	5	16	CFW500B16P0T2DB20	Yes	B	7.9 x 4.0 x 6.3	2.6	\$842	V1	
	7 1/2	24	CFW500C24P0T2DB20	Yes	C	8.3 x 5.3 x 6.5	4.4	\$1,427	V1	
	10	28	CFW500D28P0T2DB20	Yes	D	12.1 x 7.1 x 6.6	9.5	\$1,777	V1	
	10	33	CFW500D33P0T2DB20	Yes	D	12.1 x 7.1 x 6.6	9.5	\$2,146	V1	
	15	47	CFW500D47P0T2DB20	Yes	D	12.1 x 7.1 x 6.6	9.5	\$2,910	V1	
	20	56	CFW500E56P0T2DB20	Yes	E	13.8 x 8.7 x 7.6	22.1	\$3,380	V1	
460 Vac/3 Phase	Input Power Supply: Three-Phase 380-480 Vac									
	1/2	1.0	CFW500A01P0T4NB20	No	A	7.5 x 3.0 x 5.9	1.8	\$582	V1	
	1	1.6	CFW500A01P6T4NB20	No	A	7.5 x 3.0 x 5.9	1.8	\$604	V1	
	2	2.6	CFW500A02P6T4NB20	No	A	7.5 x 3.0 x 5.9	1.8	\$649	V1	
	3	4.3	CFW500A04P3T4NB20	No	A	7.5 x 3.0 x 5.9	1.8	\$799	V1	
	3	6.1	CFW500A06P1T4NB20	No	A	7.5 x 3.0 x 5.9	1.8	\$982	V1	
	2	2.6	CFW500B02P6T4DB20	Yes	B	7.9 x 4.0 x 6.3	2.6	\$708	V1	
	3	4.3	CFW500B04P3T4DB20	Yes	B	7.9 x 4.0 x 6.3	2.6	\$892	V1	
	5	6.5	CFW500B06P5T4DB20	Yes	B	7.9 x 4.0 x 6.3	2.6	\$1,067	V1	
	7 1/2	10	CFW500B10P0T4DB20	Yes	B	7.9 x 4.0 x 6.3	2.6	\$1,207	V1	
	10	14	CFW500C14P0T4DB20	Yes	C	8.3 x 5.3 x 6.5	4.4	\$1,495	V1	
	10	16	CFW500C16P0T4DB20	Yes	C	8.3 x 5.3 x 6.5	4.4	\$1,684	V1	
	15	24	CFW500D24P0T4DB20	Yes	D	12.1 x 7.1 x 6.6	9.5	\$2,229	V1	
	25	31	CFW500D31P0T4DB20	Yes	D	12.1 x 7.1 x 6.6	9.5	\$2,783	V1	
	30	39	CFW500E39P0T4DB20	Yes	E	13.8 x 8.7 x 7.6	22.1	\$3,346	V1	
	40	49	CFW500E49P0T4DB20	Yes	E	13.8 x 8.7 x 7.6	22.1	\$4,214	V1	
	575 Vac ³ /3 Phase	Input Power Supply: Three-Phase 500-600 Vac								
1 1/2		1.7	CFW500C01P7T5DB20	Yes	C	8.3 x 5.3 x 6.5	4.4	\$910	V1	
3		3.0	CFW500C03P0T5DB20	Yes	C	8.3 x 5.3 x 6.5	4.4	\$954	V1	
3		4.3	CFW500C04P3T5DB20	Yes	C	8.3 x 5.3 x 6.5	4.4	\$1,073	V1	
7 1/2		7.0	CFW500C07P0T5DB20	Yes	C	8.3 x 5.3 x 6.5	4.4	\$1,276	V1	
10		10.0	CFW500C10P0T5DB20	Yes	C	8.3 x 5.3 x 6.5	4.4	\$1,621	V1	
10	12.0	CFW500C12P0T5DB20	Yes	C	8.3 x 5.3 x 6.5	4.4	\$1,813	V1		

Notes:

- 1) "HP" rating based on "average FLA values". Use as a guide only.
- 2) Motor FLA may vary with speed and manufacturer. ALWAYS compare motor FLA to Nominal AMPS of drive.
- 3) All 575V drives are non-stocked items. Consult WEG for availability. For other technical data please refer to WEG product manual.

Variable Frequency Drives and Enclosed Motor Controls



NEMA 1 Enclosure

Motor Voltage	Motor HP ¹	Drive Amps ²	Catalog Number	Braking Transistor	Frame Size	Dimensions (in.) HxWxD	Approx. Weight (lbs.)	List Price	Multiplier	
230 Vac/3 Phase	Input Power Supply: Single-Phase 200-240 Vac									
	1/3	1.6	CFW500A01P6S2NBN1	No	A	8.8 x 3.0 x 5.9	2.4	\$451	V1	
	3/4	2.6	CFW500A02P6S2NBN1	No	A	8.8 x 3.0 x 5.9	2.4	\$463	V1	
	1 1/2	4.3	CFW500A04P3S2NBN1	No	A	8.8 x 3.0 x 5.9	2.4	\$499	V1	
	2	7.0	CFW500A07P0S2NBN1	No	A	8.8 x 3.0 x 5.9	2.4	\$633	V1	
	Input Power Supply: Single or Three-Phase 200-240 Vac									
	1/3	1.6	CFW500A01P6B2NBN1	No	A	8.8 x 3.0 x 5.9	2.4	\$456	V1	
	3/4	2.6	CFW500A02P6B2NBN1	No	A	8.8 x 3.0 x 5.9	2.4	\$467	V1	
	1 1/2	4.3	CFW500A04P3B2NBN1	No	A	8.8 x 3.0 x 5.9	2.4	\$506	V1	
	2	7.3	CFW500B07P3B2DBN1	Yes	B	9.6 x 3.9 x 6.3	3.3	\$678	V1	
	3	10.0	CFW500B10P0B2DBN1	Yes	B	9.6 x 3.9 x 6.3	3.3	\$789	V1	
	Input Power Supply: Three-Phase 200-240 Vac									
	2	7.0	CFW500A07P0T2NBN1	No	A	8.8 x 3.0 x 5.9	2.4	\$628	V1	
	3	9.6	CFW500A09P6T2NBN1	No	A	8.8 x 3.0 x 5.9	2.4	\$773	V1	
	5	16	CFW500B16P0T2DBN1	Yes	B	9.6 x 3.9 x 6.3	3.3	\$842	V1	
	7 1/2	24	CFW500C24P0T2DBN1	Yes	C	10.0 x 5.3 x 6.5	5.3	\$1,427	V1	
	10	28	CFW500D28P0T2DBN1	Yes	D	14.3 x 7.1 x 6.6	10.2	\$1,777	V1	
	10	33	CFW500D33P0T2DBN1	Yes	D	14.3 x 7.1 x 6.6	10.2	\$2,146	V1	
	15	47	CFW500D47P0T2DBN1	Yes	D	14.3 x 7.1 x 6.6	10.2	\$2,910	V1	
20	56	CFW500E56P0T2DBN1	Yes	E	13.8 x 8.7 x 7.6	22.1	\$3,380	V1		
460 Vac/3 Phase	Input Power Supply: Three-Phase 380-480 Vac									
	1/2	1.0	CFW500A01P0T4NBN1	No	A	8.8 x 3.0 x 5.9	2.4	\$582	V1	
	1	1.6	CFW500A01P6T4NBN1	No	A	8.8 x 3.0 x 5.9	2.4	\$604	V1	
	2	2.6	CFW500A02P6T4NBN1	No	A	8.8 x 3.0 x 5.9	2.4	\$649	V1	
	3	4.3	CFW500A04P3T4NBN1	No	A	8.8 x 3.0 x 5.9	2.4	\$799	V1	
	3	6.1	CFW500A06P1T4NBN1	No	A	8.8 x 3.0 x 5.9	2.4	\$982	V1	
	2	2.6	CFW500B02P6T4DBN1	Yes	B	9.6 x 3.9 x 6.3	3.3	\$708	V1	
	3	4.3	CFW500B04P3T4DBN1	Yes	B	9.6 x 3.9 x 6.3	3.3	\$892	V1	
	5	6.5	CFW500B06P5T4DBN1	Yes	B	9.6 x 3.9 x 6.3	3.3	\$1,067	V1	
	7 1/2	10	CFW500B10P0T4DBN1	Yes	B	9.6 x 3.9 x 6.3	3.3	\$1,207	V1	
	10	14	CFW500C14P0T4DBN1	Yes	C	10.0 x 5.3 x 6.5	5.3	\$1,495	V1	
	10	16	CFW500C16P0T4DBN1	Yes	C	10.0 x 5.3 x 6.5	5.3	\$1,684	V1	
	15	24	CFW500D24P0T4DBN1	Yes	D	14.3 x 7.1 x 6.6	10.2	\$2,229	V1	
	25	31	CFW500D31P0T4DBN1	Yes	D	14.3 x 7.1 x 6.6	10.2	\$2,783	V1	
	30	39	CFW500E39P0T4DBN1	Yes	E	13.8 x 8.7 x 7.6	22.1	\$3,346	V1	
	40	49	CFW500E49P0T4DBN1	Yes	E	13.8 x 8.7 x 7.6	22.1	\$4,214	V1	
575 Vac ³ /3 Phase	Input Power Supply: Three-Phase 500-600 Vac									
	1 1/2	1.7	CFW500C01P7T5DBN1	Yes	C	10.0 x 5.3 x 6.5	5.3	\$910	V1	
	3	3.0	CFW500C03P0T5DBN1	Yes	C	10.0 x 5.3 x 6.5	5.3	\$954	V1	
	3	4.3	CFW500C04P3T5DBN1	Yes	C	10.0 x 5.3 x 6.5	5.3	\$1,073	V1	
	7 1/2	7.0	CFW500C07P0T5DBN1	Yes	C	10.0 x 5.3 x 6.5	5.3	\$1,276	V1	
	10	10.0	CFW500C10P0T5DBN1	Yes	C	10.0 x 5.3 x 6.5	5.3	\$1,621	V1	
10	12.0	CFW500C12P0T5DBN1	Yes	C	10.0 x 5.3 x 6.5	5.3	\$1,813	V1		

Variable Frequency Drives and Enclosed Motor Controls

Notes:

- 1) "HP" rating based on "average FLA values". Use as a guide only.
 - 2) Motor FLA may vary with speed and manufacturer. ALWAYS compare motor FLA to Nominal AMPS of drive.
 - 3) All 575V drives are non-stocked items. Consult WEG for availability.
- For other technical data please refer to WEG product manual.

CFW500

Options and Accessories

Type	CATALOG NUMBER	Description	Apprx. Shpg. Wt. (lbs.)	List Price	Multiplier Symbol
I/O	CFW500-IOS¹	CFW500 I/O Module; 4 DI, 1 AI, 1 AO, 1 DOR, 1 DOT, 1 RS485, 10vdc, 24vdc	0.2	\$110	V1
I/O	CFW500-IOD	CFW500 I/O Module; 8 DI, 1 AI, 1 AO, 1 DOR, 4 DOT, 1 RS485, 10vdc, 24vdc	0.2	\$141	V1
I/O	CFW500-IOAD	CFW500 I/O Module; 6 DI, 3 AI, 2 AO, 1 DOR, 3 DOT, 1 RS485, 10vdc, 24vdc	0.2	\$182	V1
I/O	CFW500-IOR	CFW500 I/O Module; 5 DI, 1 AI, 1 AO, 4 DOR, 1 DOT, 1 RS485, 10vdc, 24vdc	0.2	\$125	V1
Encoder Input	CFW500-ENC	CFW500 Encoder Module; Quad Input A & B, 1 RS485, 5 DI, 1 AI, 1 AO, 3 DOR, 1 DOT, 24vdc	0.2	\$210	V1
USB Card	CFW500-CUSB	CFW500 Comm. Module; 1 USB, 1 RS485, 4 DI, 1 AI, 1 AO, 1 DOR, 1 DOT, 10vdc, 24vdc	0.2	\$210	V1
RS232 Card	CFW500-CRS232	CFW500 Comm. Module; 1 RS232, 1 RS485, 4 DI, 1 AI, 1 AO, 1 DOR, 1 DOT, 24vdc	0.2	\$138	V1
RS485 Card	CFW500-CRS485	CFW500 Comm. Module; 2 RS485, 4 DI, 2 AI, 1 AO, 2 DOR, 1 DOT, 10vdc, 24vdc	0.2	\$143	V1
CANopen Card	CFW500-CCAN	CFW500 Comm. Module; 1 CAN/DeviceNet, 1 RS485, 2 DI, 1 AI, 1 AO, 1 DOR, 1 DOT, 10vdc, 24vdc	0.2	\$138	V1
Profibus DP Card	CFW500-CPDP	CFW500 Comm. Module; 2 DI, 1 AI, 1 AO, 1 DOR, 1 DOT, 1 Profibus DP, 1 RS485, 24vdc	0.2	\$405	V1
Profibus DP & DP-V1 Module	CFW500-CPDP2	CFW500 Comm. Module; 1-Profibus DP & DP-V1 100BASE TX RJ-45 Port, 1-RS485, 2-DI, 1-AI, 1-AO, 1-DOR, 1-DOT, 24vdc	0.2	\$445	V1
Modbus TCP Comm. Module	CFW500-CEMB-TCP	CFW500 Comm. Module; 1-Modbus TCP 100BASE TX RJ-45 Port, 1-RS485, 2-DI, 1-AI, 1-AO, 1-DOR, 1-DOT, 24vdc	0.2	\$499	V1
ProfiNet I/O Comm. Module	CFW500-CEPN-IO	CFW500 Comm. Module; 1-ProfiNet I/O 100BASE TX RJ-45 Port, 1-RS485, 2-DI, 1-AI, 1-AO, 1-DOR, 1-DOT, 24vdc	0.2	\$499	V1
EtherNet IP Comm. Module	CFW500-CETH-IP	CFW500 Comm. Module; 2-DI, 1-AI, 1-AO, 1-DOR, 1-DOT, 1-RS485, 1-EtherNet IP 100BASE TX RJ-45 Port, 24vdc	0.2	\$499	V1
Flash Memory Module	CFW500-MMF	CFW500 Flash Memory Module for saving and reloading program and parameters to / from the drive	0.2	\$189	V1
Remote Keypad	CFW500-HMIR 2	CFW500 Remote Keypad for mounting through enclosure door	0.6	\$169	V1
Remote Oper. Station	CSW-SP3PBS	Remote Operator Station-includes 22mm Start PB, Stop PB, 1-NC and 1-NO contact block, 5k-ohm Potentiometer and legends (replaces CFW-REM)	5.0	\$460	Z5
Remote Oper. Station	CSW30-SP3PBS	Remote Operator Station-includes 30mm Start PB, Stop PB, 1-NC and 1-NO contact block, 5k-ohm Potentiometer and legends (replaces CFW-REM)	5.0	\$535	Z5
HMI Cable 1M	CFW500-CCHMIR01M	3.3 ft (1 meter) Remote Keypad Cable	0.5	\$23	V1
HMI Cable 2M	CFW500-CCHMIR02M	6.6 ft (2 meter) Remote Keypad Cable	0.7	\$31	V1
HMI Cable 3M	CFW500-CCHMIR03M	9.9 ft (3 meter) Remote Keypad Cable	1.0	\$41	V1
HMI Cable 5M	CFW500-CCHMIR05M	16 ft (5 meter) Remote Keypad Cable	1.2	\$51	V1
HMI Cable 7.5M	CFW500-CCHMIR075M	25 ft (7.5 meter) Remote Keypad Cable	1.5	\$61	V1
HMI Cable 10M	CFW500-CCHMIR010M	33 ft (10 meter) Remote Keypad Cable	2.0	\$72	V1
USB Comm. Cable 2M	CFW500-USB02M	USB Communication Cable, 6.6 ft (2 meter) length	0.7	\$50	V1
NEMA1 Conduit Kit	CFW500-KN1A	NEMA 1 kit – Frame Size A		\$28	V1
NEMA1 Conduit Kit	CFW500-KN1B	NEMA 1 kit – Frame Size B		\$33	V1
NEMA1 Conduit Kit	CFW500-KN1C	NEMA 1 kit – Frame Size C		\$44	V1
NEMA1 Conduit Kit	CFW500-KN1D	NEMA 1 kit – Frame Size D		\$59	V1
NEMA1 Conduit Kit	CFW500-KN1E	NEMA 1 kit – Frame Size E		\$64	V1
Cable Sheild Clamp Kit	CFW500-KPCSA	Cable Sheild Clamp Kit for Frame A	1.0	\$41	V1
Cable Sheild Clamp Kit	CFW500-KPCSB	Cable Sheild Clamp Kit for Frame B	1.0	\$44	V1
Cable Sheild Clamp Kit	CFW500-KPCSC	Cable Sheild Clamp Kit for Frame C	1.1	\$46	V1
Cable Sheild Clamp Kit	CFW500-KPCSD	Cable Sheild Clamp Kit for Frame D	1.1	\$51	V1

Notes:

- 1) CFW500-IOS Card is included as standard with CFW500 Drives
- 2) CFW500-HMIR Remote Keypad requires Qty. (1) CFW500-CCHIROxM cable. ("x" represents the cable length in meters)

Option Card I/O Table

CFW500 Option Module	DI ¹	AI	AO	DOR	DOT	Infrared	Encoder	USB	RS232	RS485	CANopen / DeviceNet	Profibus-DP / DP V1	Modbus TCP	ProfiNet I/O	EtherNet I/P
CFW500-IOS 1	4	1	1	1	1					1					
CFW500-IOD	8	1	1	1	4					1					
CFW500-IOAD	6	3	2	1	3					1					
CFW500-IOR	5	1	1	4	1	1				1					
CFW500-ENC	5	1	1	3	1		1			1					
CFW500-CUSB	4	1	1	1	1			1		1					
CFW500-CRS232	4	1	1	1	1				1	1					
CFW500-CRS485	4	2	1	2	1					2					
CFW500-CCAN	2	1	1	1	1					1	1				
CFW500-CPDP	2	1	1	1	1							1			
CFW500-CPDP2	2	1	1	1	1							1 & 1			
CFW500-CEMB-TCP	2	1	1	1	1								1		
CFW500-CEPN-IO	2	1	1	1	1									1	
CFW500-CETH-IP	2	1	1	1	1										1

Notes:

1) CFW500 Drive includes 4DI as standard. Option Modules provide suplimental I/O as shown in this table.

CFW500

Technical Data

Power Supply	Voltage	Single phase or Three Phase	200-240V (+10%, -15%)
		Three phase	380-480V (+10%, -15%)
	Frequency	50 / 60Hz +/- 2Hz	
	Displacement Power Factor (Cos)	Greater than 0.98	
Enclosure	Degree of Protection	NEMA 1	
	Mounting	Surface mounting with screws or DIN rail mounting	
Control	Control Modes	Volts per Hertz (Scalar)	
		Sensorless Voltage Vector	
	Power Output	Sinusoidal PWM (Space Vector Modulation)	
		IGBT Transistors	
	Switching Frequency	2.5, 5, 10 or 15kHz	
	Frequency Range	0-300 Hz	
	Overload Capacity	150% for 60 seconds, repeatable every 10 min.	
Control Inputs	4 programmable isolated digital inputs, NPN or 24Vdc logic (PNP)		
	2 programmable differential analog inputs; programmable for current or voltage Can be set as DI or as PTC input (0-10V, 4-20mA or 0-20mA)		
Control Outputs	2 programmable relay outputs: One NO (Form A) and one NC (Form B): 240 V / 0.5 A		
	1 Analog Output; programmable for voltage (0-10V) or current (0-20 mA or 4-20 mA) and with 0.25% linearity error		
Communication	Serial	Optional RS-232 serial interface, RS-485 with external RS-232/485 converter	
	Field Bus	Modbus RTU with external RS-232/485 converter	
Safety	Protections	Motor over current	DC link over voltage
		Motor overload	DC link under voltage
		Output phase-to-phase short circuit	Drive over temperature
		Output phase-to-ground short circuit	External fault
		Programming error	
Ambient	Temperature	14 - 122°F (50°C), up to 140°F (60°C) with 2% / 1.8°F (1°C) output current derating	
	Humidity	5-90% Non Condensing	
	Altitude	0-3300 ft (1000m), up to 13,200 ft (4000m) with 10% / 3300ft (1000m) output current derating	
Regulatory Conformance	EMC Directive 89 / 336 / EEC	Electromagnetic compatibility – Industrial Environment EMC Emission and Immunity with optional filter	
	ENC61800-3		
	LVD 73/23/EEC	Low Voltage Directive	
	UL 508 C	Power Conversion Equipment	
Special Functions	Linear and “S” ramp accel and decel, local/remote control, FWD/REV selection, DC braking, manual and auto torque boost, motor slip compensation, electronic pot, two skip frequencies, maximum and minimum adjustable frequency limits, adjustable output current, PID Controller		
Keypad	4 digit display, 2 indicator LEDs and 8 keys		
	Readouts for: output frequency (Hz), output current (A), output voltage (V), motor torque (%) in vector mode, DC bus voltage (V), value proportional to frequency (Ex.: RPM), heatsink temperature, fault and status messages		

Variable Frequency Drives and Enclosed Motor Controls

CFW700

The WEG CFW700 Series was designed to exceed industry expectations. Based on the robust CFW11 platform the CFW700 is designed and optimized for variable torque applications such as pumps and fans.

The CFW700 is the optimal drive for pump and fan control. The drive includes features such as built in PID controllers that can be programmed in engineering units for ease of understanding and set up. The drive also features an integrated power supply to be used with external transducers to measure flow or pressure.

These features combined with the drive's keypad based start up guide, make installation and parameter set up fast and easy.

Standard Features

- Simplicity – same programming as all other WEG drives
- Dual DC Bus chokes for longer VFD lifetime (6% equivalent), reduces harmonics eliminating the need for external line reactors
- Plenum Rated - Meets UL94 Requirements
- 24VDC Power Supply for process transducers - Standard
- Soft-PLC with free programming software
- Encoder Input - Standard
- RS-485 Modbus RTU - Standard
- Conformal Coated boards for harsh industrial environments
- Rated 50 °C (122 °F) – up to 60 °C (140 °F) with derating
- Self-tuning function automatically matches VFD with motor
- UL, cUL, CE, C-Tick, GOST, IRAM approved
- SuperDrive G2 compatible



Applications

- | | |
|------------------------|------------------|
| • Pumps | • Fans/Blowers |
| • Conveyers | • Compressors |
| • Agitators and Mixers | • Extruders |
| • Grizzly Feeders | • Centrifuges |
| • Cranes and Hoists | • Rollout Tables |
| • Presses | • Saws |

Variable
Frequency
Drives and
Enclosed Motor
Controls



CFW700 Catalog Number Sequence

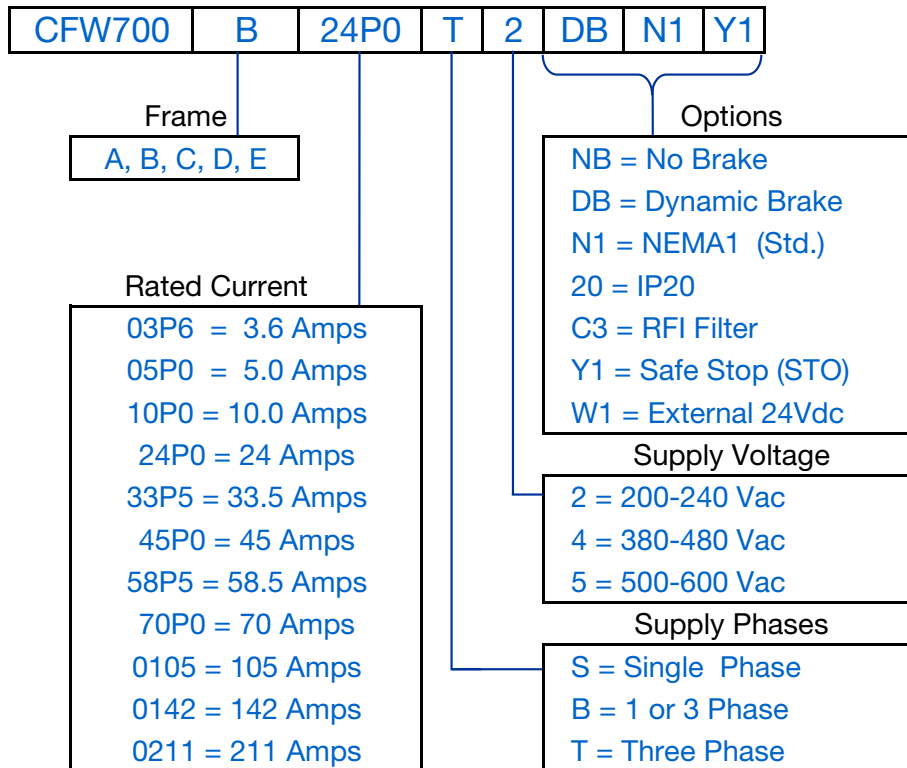


Table intended as reference only and not to create part numbers.

NEMA 1 Enclosure

Motor Voltage	ND / VT ¹		HD / CT ¹		Catalog Number	Braking Transistor	Frame Size	Dimensions (in.) HxWxD ⁶	Approx. Weight (lbs.) ⁶	List Price	Multiplier
	Motor HP ²	Drive Amps ³	Motor HP ²	Drive Amps ³							
230 Vac	Input Power Supply: Single or Three-Phase 200-240 Vac with Dynamic Braking Transistor										
	1 1/2	6.0	1 1/2	5.0	CFW700A06P0B2DBN1	Yes	A	12.1 x 5.8 x 9.0	13.9	\$1,370	V1
	2	7.0	2	7.0	CFW700A07P0B2DBN1	Yes	A	12.1 x 5.8 x 9.0	13.9	\$1,430	V1
	Input Power Supply: Single-Phase 200-240 Vac with Dynamic Braking Transistor										
	3	10	3	10	CFW700A10P0S2DBN1	Yes	A	12.1 x 5.8 x 9.0	13.9	\$1,510	V1
	Input Power Supply: Three-Phase 200-240 Vac with Dynamic Braking Transistor										
	2	7.0	1 1/2	5.5	CFW700A07P0T2DBN1	Yes	A	12.1 x 5.8 x 9.0	13.9	\$1,350	V1
	3	10	2	8.0	CFW700A10P0T2DBN1	Yes	A	12.1 x 5.8 x 9.0	13.9	\$1,410	V1
	5	13	3	11	CFW700A13P0T2DBN1	Yes	A	12.1 x 5.8 x 9.0	13.9	\$1,440	V1
	5	16	5	13	CFW700A16P0T2DBN1	Yes	A	12.1 x 5.8 x 9.0	13.9	\$1,542	V1
	7 1/2	24	7 1/2	20	CFW700B24P0T2DBN1	Yes	B	13.9 x 7.5 x 9.0	24.1	\$2,020	V1
	10	28	10	24	CFW700B28P0T2DBN1	Yes	B	13.9 x 7.5 x 9.0	24.1	\$2,201	V1
	10	33.5	10	28	CFW700B33P5T2DBN1	Yes	B	13.9 x 7.5 x 9.0	24.1	\$2,600	V1
	15	45	15	36	CFW700C45P0T2DBN1	Yes	C	17.7 x 8.7 x 11.5	44.6	\$2,900	V1
	20	54	20	45	CFW700C54P0T2DBN1	Yes	C	17.7 x 8.7 x 11.5	44.6	\$3,700	V1
	25	70	20	56	CFW700C70P0T2DBN1	Yes	C	17.7 x 8.7 x 11.5	44.6	\$4,880	V1
	30	86	25	70	CFW700D86P0T2DBN1	Yes	D	19.9 x 11.9 x 12.0	120.2	\$6,101	V1
	40	105	30	86	CFW700D0105T2DBN1	Yes	D	19.9 x 11.9 x 12.0	120.2	\$8,100	V1
	50	142	40	115	CFW700E142T2DBN1C3	Yes	E ⁵	26.6 x 13.2 x 14.1	143	\$11,500	V1
	60	180	50	142	CFW700E180T2DBN1C3	Yes	E ⁵	26.6 x 13.2 x 14.1	143	\$15,500	V1
75	211	60	180	CFW700E211T2DBN1C3	Yes	E ⁵	26.6 x 13.2 x 14.1	143	\$21,222	V1	
Input Power Supply: Three-Phase 200-240 Vac without Dynamic Braking Transistor											
50	142	40	115	CFW700E142T2NBN1C3	No	E ⁵	26.6 x 13.2 x 14.1	143	\$10,101	V1	
60	180	50	142	CFW700E180T2NBN1C3	No	E ⁵	26.6 x 13.2 x 14.1	143	\$12,999	V1	
75	211	60	180	CFW700E211T2NBN1C3	No	E ⁵	26.6 x 13.2 x 14.1	143	\$18,555	V1	

Notes:

- 1) CT = Constant Torque, 150% overload / 60 sec.; VT = Variable Torque (Quadratic Load), 110% overload / 60 sec.
- 2) "HP" rating based on "average FLA values". Use as a guide only.
- 3) Motor FLA may vary with speed and manufacturer. ALWAYS compare motor FLA to Nominal AMPS of drive.
- 4) All 575V drives are non-stocked items. Consult WEG for availability.
- 5) Maximum 45°C ambient temperature without derating.
- 6) Dimensions and weights are provided for estimating purposes only.
For other technical data please refer to WEG product manual.

CFW700

NEMA 1 Enclosure

Motor Voltage	ND / VT ¹		HD / CT ¹		Catalog Number	Braking Transistor	Frame Size	Dimensions (in.) HxWxD ⁶	Approx. Weight (lbs.) ⁶	List Price	Multiplier
	Motor HP ²	Drive Amps ³	Motor HP ²	Drive Amps ³							
460 Vac	Input Power Supply: Three-Phase 380-480 Vac with Dynamic Braking Transistor										
	2	3.6	2	3.6	CFW700A03P6T4DBN1	Yes	A	12.1 x 5.8 x 9.0	13.9	\$1,350	V1
	3	5.0	3	5.0	CFW700A05P0T4DBN1	Yes	A	12.1 x 5.8 x 9.0	13.9	\$1,444	V1
	5	7.0	3	5.5	CFW700A07P0T4DBN1	Yes	A	12.1 x 5.8 x 9.0	13.9	\$1,510	V1
	7 1/2	10	5	10	CFW700A10P0T4DBN1	Yes	A	12.1 x 5.8 x 9.0	13.9	\$1,600	V1
	10	13.5	7 1/2	11	CFW700A13P5T4DBN1	Yes	A	12.1 x 5.8 x 9.0	13.9	\$1,711	V1
	10	17	10	13.5	CFW700B17P0T4DBN1	Yes	B	13.9 x 7.5 x 9.0	24.1	\$2,055	V1
	15	24	10	19	CFW700B24P0T4DBN1	Yes	B	13.9 x 7.5 x 9.0	24.1	\$2,455	V1
	20	31	15	25	CFW700B31P0T4DBN1	Yes	B	13.9 x 7.5 x 9.0	24.1	\$3,450	V1
	25	38	20	33	CFW700C38P0T4DBN1	Yes	C	17.7 x 8.7 x 11.5	44.6	\$3,888	V1
	30	45	25	38	CFW700C45P0T4DBN1	Yes	C	17.7 x 8.7 x 11.5	44.6	\$5,000	V1
	40	58.5	30	47	CFW700C58P5T4DBN1	Yes	C	17.7 x 8.7 x 11.5	44.6	\$5,800	V1
	50/60	70.5	40	61	CFW700D70P5T4DBN1	Yes	D	19.9 x 11.9 x 12.0	120.2	\$6,888	V1
	60/75	88	50	73	CFW700D88P0T4DBN1	Yes	D	19.9 x 11.9 x 12.0	120.2	\$8,100	V1
	75	105	75	88	CFW700E105T4DBN1C3	Yes	E ⁵	26.6 x 13.2 x 14.1	143	\$11,989	V1
	100/125	142	75	115	CFW700E142T4DBN1C3	Yes	E ⁵	26.6 x 13.2 x 14.1	143	\$14,989	V1
	150	180	100	142	CFW700E180T4DBN1C3	Yes	E ⁵	26.6 x 13.2 x 14.1	143	\$20,989	V1
	175	211	150	180	CFW700E211T4DBN1C3	Yes	E ⁵	26.6 x 13.2 x 14.1	143	\$25,989	V1
	Input Power Supply: Three-Phase 380-480 Vac without Dynamic Braking Transistor										
	75	105	75	88	CFW700E105T4NBN1C3	No	E ⁵	26.6 x 13.2 x 14.1	143	\$9,999	V1
100/125	142	75	115	CFW700E142T4NBN1C3	No	E ⁵	26.6 x 13.2 x 14.1	143	\$12,000	V1	
150	180	100	142	CFW700E180T4NBN1C3	No	E ⁵	26.6 x 13.2 x 14.1	143	\$15,400	V1	
175	211	150	180	CFW700E0211T4NBN1C3	No	E ⁵	26.6 x 13.2 x 14.1	143	\$18,787	V1	

Notes:

- 1) CT = Constant Torque, 150% overload / 60 sec.; VT = Variable Torque (Quadratic Load), 110% overload / 60 sec.
- 2) "HP" rating based on "average FLA values". Use as a guide only.
- 3) Motor FLA may vary with speed and manufacturer. ALWAYS compare motor FLA to Nominal AMPS of drive.
- 4) All 575V drives are non-stocked items. Consult WEG for availability.
- 5) Maximum 45°C ambient temperature without derating
- 6) Dimensions and weights are provided for estimating purposes only.
For other technical data please refer to WEG product manual.

Variable Frequency Drives and Enclosed Motor Controls

NEMA 1 Enclosure

Motor Voltage	ND / VT ¹		HD / CT ¹		Catalog Number	Braking Transistor	Frame Size	Dimensions (in.) HxWxD ⁶	Approx. Weight (lbs.) ⁶	List Price	Multiplier
	Motor HP ²	Drive Amps ³	Motor HP ²	Drive Amps ³							
575 Vac ⁴	Input Power Supply: Three-Phase 500-600 Vac with Dynamic Braking Transistor										
	2	2.9	2	2.7	CFW700B02P9T5DBN1	Yes	B	13.9 x 7.5 x 9.0	24.1	\$1,689	V1
	3	4.2	3	3.8	CFW700B04P2T5DBN1	Yes	B	13.9 x 7.5 x 9.0	24.1	\$1,759	V1
	7 1/2	7.0	5	6.5	CFW700B07P0T5DBN1	Yes	B	13.9 x 7.5 x 9.0	24.1	\$1,874	V1
	10	10	7 1/2	9.0	CFW700B10P0T5DBN1	Yes	B	13.9 x 7.5 x 9.0	24.1	\$2,048	V1
	10	12	10	10	CFW700B12P0T5DBN1	Yes	B	13.9 x 7.5 x 9.0	24.1	\$2,171	V1
	15	17	15	17	CFW700B17P0T5DBN1	Yes	B	13.9 x 7.5 x 9.0	24.1	\$2,552	V1
	20	22	20	19	CFW700D22P0T5DBN1	Yes	D	19.9 x 11.9 x 12.0	120.2	\$4,235	V1
	25	27	20	22	CFW700D27P0T5DBN1	Yes	D	19.9 x 11.9 x 12.0	120.2	\$4,506	V1
	30	32	25	27	CFW700D32P0T5DBN1	Yes	D	19.9 x 11.9 x 12.0	120.2	\$6,486	V1
	40	44	30	36	CFW700D44P0T5DBN1	Yes	D	19.9 x 11.9 x 12.0	120.2	\$7,309	V1
	50	53	40	44	CFW700E53P0T5DBN1C3	Yes	E ⁵	26.6 x 13.2 x 14.1	143	\$9,118	V1
	60	63	50	53	CFW700E63P0T5DBN1C3	Yes	E ⁵	26.6 x 13.2 x 14.1	143	\$11,580	V1
	75	80	75	66	CFW700E80P0T5DBN1C3	Yes	E ⁵	26.6 x 13.2 x 14.1	143	\$12,091	V1
	100	107	100	90	CFW700E107T5DBN1C3	Yes	E ⁵	26.6 x 13.2 x 14.1	143	\$16,240	V1
	125	125	100	107	CFW700E125T5DBN1C3	Yes	E ⁵	26.6 x 13.2 x 14.1	143	\$16,910	V1
	150	150	125	122	CFW700E150T5DBN1C3	Yes	E ⁵	26.6 x 13.2 x 14.1	143	\$23,456	V1
	Input Power Supply: Three-Phase 500-600 Vac without Dynamic Braking Transistor										
	20	22	20	19	CFW700D22P0T5NBN1	No	D	26.6 x 13.2 x 14.1	120.2	\$3,921	V1
	25	27	20	22	CFW700D27P0T5NBN1	No	D	26.6 x 13.2 x 14.1	120.2	\$4,450	V1
	30	32	25	27	CFW700D32P0T5NBN1	No	D	26.6 x 13.2 x 14.1	120.2	\$5,763	V1
40	44	30	36	CFW700D44P0T5NBN1	No	D	26.6 x 13.2 x 14.1	120.2	\$6,768	V1	
50	53	40	44	CFW700E53P0T5NBN1C3	No	E ⁵	26.6 x 13.2 x 14.1	143	\$8,446	V1	
60	63	50	53	CFW700E63P0T5NBN1C3	No	E ⁵	26.6 x 13.2 x 14.1	143	\$10,728	V1	
75	80	75	66	CFW700E80P0T5NBN1C3	No	E ⁵	26.6 x 13.2 x 14.1	143	\$11,200	V1	
100	107	100	90	CFW700E107T5NBN1C3	No	E ⁵	26.6 x 13.2 x 14.1	143	\$15,042	V1	
125	125	100	107	CFW700E125T5NBN1C3	No	E ⁵	26.6 x 13.2 x 14.1	143	\$15,662	V1	
150	150	125	122	CFW700E150T5NBN1C3	No	E ⁵	26.6 x 13.2 x 14.1	143	\$21,723	V1	

Notes:

- 1) CT = Constant Torque, 150% overload / 60 sec.; VT = Variable Torque (Quadratic Load), 110% overload / 60 sec.
- 2) "HP" rating based on "average FLA values". Use as a guide only.
- 3) Motor FLA may vary with speed and manufacturer. ALWAYS compare motor FLA to Nominal AMPS of drive.
- 4) All 575V drives are non-stocked items. Consult WEG for availability.
- 5) Maximum 45°C ambient temperature without derating
- 6) Dimensions and weights are provided for estimating purposes only.
For other technical data please refer to WEG product manual.

Variable Frequency Drives and Enclosed Motor Controls

CFW700

Options and Accessories

Type	Catalog Number	Description	List Price	Multiplier
Communication	CAN-01	CAN interface module (CANopen/DeviceNet) (CFW11 & CFW700)	\$410	V1
	PROFIBUS DP-01	Profibus DP-V1 interface module (CFW11 & CFW700)	\$520	V1
I/O	CCK-01	Relay Output Module for CFW700 and CFW701, 2 Form C Relay Outputs	\$105	V1
Flash Memory	MMF-02	Flash Memory Module for CFW700 and CFW701	\$71	V1
Keypad and Accessories	HMI-02	CFW700 Standard Keypad with USB	\$320	V1
	RHMIF-02	CFW700 Remote Keypad Frame Kit	\$69	V1
	HMI-03	CFW701 Standard Keypad with USB	\$320	V1
	RHMIF-03	CFW701 Remote Keypad Frame Kit	\$69	V1
	HMID-01	Blank Keypad Cover for Keypad Slot (CFW11, CFW700 & CFW701)	\$54	V1
Remote Keypad Cable	IHM-CAB-RS-1M	3.3 ft (1 meter) Remote Keypad Cable (CFW11 & CFW700)	\$54	V1
	IHM-CAB-RS-2M	6.6 ft (2 meter) Remote Keypad Cable (CFW11 & CFW700)	\$60	V1
	IHM-CAB-RS-3M	9.9 ft (3 meter) Remote Keypad Cable (CFW11 & CFW700)	\$66	V1
	IHM-CAB-RS-5M	16 ft (5 meter) Remote Keypad Cable (CFW11 & CFW700)	\$75	V1
	IHM-CAB-RS-7.5M	25 ft (7.5 meter) Remote Keypad Cable (CFW11 & CFW700)	\$90	V1
	IHM-CAB-RS-10M	33 ft (10 meter) Remote Keypad Cable (CFW11 & CFW700)	\$102	V1
Remote Oper. Station	CSW-SP3PBS	Remote Operator Station-includes 22mm Start PB, Stop PB, 1-NC and 1-NO contact block, 5k-ohm Potentiometer and legends (replaces CFW-REM)	\$460	Z5
	CSW30-SP3PBS	Remote Operator Station-includes 30mm Start PB, Stop PB, 1-NC and 1-NO contact block, 5k-ohm Potentiometer and legends (replaces CFW-REM)	\$535	Z5
Conduit Kit	KN1A-02	Conduit Kit for frame size A with power cables shielding	\$125	V1
	KN1B-02	Conduit Kit for frame size B with power cables shielding	\$125	V1
	KN1C-02	Conduit Kit for frame size C with power cables shielding	\$142	V1
	KN1E-01	Top cover kit for frame size E (105 & 142A)	\$78	V1
	KN1E-02	Top cover kit plus Conduit kit for frame size E (180 & 211A)	\$213	V1
	KIP21D-01	IP21 Kit for Frame size D (top cover) (CFW11 & CFW700)	\$120	V1
Cable Shield Kit	PCSA-01	Power Cables Shielding Kit for frame size A (CFW11 & CFW700)	\$48	V1
	PCSB-01	Power Cables Shielding Kit for frame size B (CFW11 & CFW700)	\$51	V1
	PCSC-01	Power Cables Shielding Kit for frame size C (CFW11 & CFW700)	\$54	V1
	PCSD-01	Power Cables Shielding Kit for frame size D (CFW11 & CFW700)	\$56	V1
	PCSE-01	Power Cables Shielding Kit for frame size E (CFW11 & CFW700)	\$76	V1

Variable Frequency Drives and Enclosed Motor Controls

Technical Data

Power Supply	Voltage	Single Phase or Three Phase	200-240V (+10%, -15%)
		Three phase	380-480V (+10%, -15%)
	Frequency	50 / 60Hz +/- 2Hz	
	Displacement Power Factor (Cos)	Greater than 0.98	
Enclosure	Degree of Protection	NEMA 1	
Control	Control Modes	Volts per Hertz (Scalar)	Voltage Vector (VVW)
		Sensorless Vector	Vector with encoder
	Power Output	Sinusoidal PWM (Space Vector Modulation)	
		IGBT Transistors	
	Switching Frequency	1.25, 2.0, 2.5, 5.0 or 10.0 kHz	
	Frequency Range	0-300 Hz in Scalar Mode; 120 Hz in Vector Mode	
	Overload Capacity	CT = Constant Torque, 150% overload / 60 sec. VT = Variable Torque (Quadratic Load), 110% overload / 60 sec.	
Control Inputs	8 programmable isolated digital inputs, 24Vdc logic		
	2 isolated programmable differential analog inputs 11 bit; programmable for current or voltage (0-10V, 4-20mA or 0-20mA)		
	Motor thermistor - PTC/PT100/KTY84		
	Incremental encoder input – 5 to 12V		
Control Outputs	1 programmable relay output; NO/NC (Form C); 240Vac, 30Vdc / 0.75 A		
	4 programmable isolated open collector digital outputs; 24Vdc, 80mA max.		
	2 non-isolated programmable analog outputs 10 bit; programmable for current or voltage (0-10V, 4-20mA or 0-20mA)		
Communication	Serial	Optional RS-232 serial interface, RS-485 with external RS-232/485 converter	
	Field Bus	Isolated RS-485 / Modbus RTU (standard)	
		CAN interface module (CANopen/DeviceNet)	
Safety	Protections	Motor over current	DC link over voltage
		Motor overload	DC link under voltage
		Output phase-to-phase short circuit	Drive over temperature
		Output phase-to-ground short circuit	External fault
		Programming error	
Ambient	Temperature	14 - 122°F (50°C), up to 140°F (60°C) with 2% / 1.8°F (1°C) output current derating	
	Humidity	5-90% Non Condensing	
	Altitude	0-3300 ft (1000m), up to 13,200 ft (4000m) with 1% output current derating per 330ft (100m) above 3300 ft (1000m).	
Regulatory / Safety Conformance	IEC 60146	Semiconductor convertors	
	UL 508 C	Power Conversion Equipment	
	UL 840	Insulation coordination including clearances and creepage distances for electrical equipment.	
	UL 94	Plenum Rated - Meets UL94 Standard for Tests for Flammability	
	EN 50178	Electronic equipment for use in power installations	
	EN 61800-2	General requirements adjustable speed electrical power drive systems	
	EN 61800-3	EMC product standard including specific test methods adjustable speed electrical power drive systems	
	EN 61800-5-1	Safety requirements adjustable speed electrical power drive systems	
	EN 60204-1	Safety of machinery. Electrical equipment of machines. Part 1: General requirements.	
	RoHS and WEEE Guidelines		
Approvals	UL, cUL, CE, C-Tick, GOST, IRAM		
Special Functions	Linear and "S" ramp accel and decel, local/remote control, FWD/REV selection, DC braking, manual and auto torque boost, motor slip compensation, electronic pot, two skip frequencies, max. and min. adjustable frequency limits, adjustable output current, PID Controller		
Keypad	Backlit LCD display with 9 operator keys, remote mounting option available		
	Readouts for: output frequency (Hz), output current (A), output voltage (V), motor torque (%) in vector mode, DC bus voltage (V), value proportional to frequency (Ex.: RPM), heatsink temperature, fault and status messages		

Variable Frequency Drives and Enclosed Motor Controls

CFW700

100% Braking Torque at 20% Duty Cycle (12 Seconds Max. Braking Time) NEMA 1 Enclosure

Motor Voltage	Motor HP ¹	CFW11 Catalog Number	Braking Resistor Catalog Number ²	Rated Ohms	Rated Watts	Dimensions (in.) HxWxD ³	List Price	Multiplier
230 Vac	1 1/2	CFW700A06P0B2DBN1	CFDB5-125-224	125	224	5 x 12 x 5	\$520	V1
	2	CFW700A07P0B2DBN1	CFDB5-95-298	95	298	5 x 12 x 7	\$749	V1
	2	CFW700A07P0T2DBN1	CFDB5-95-298	95	298	5 x 12 x 7	\$749	V1
	3	CFW700A10P0S2DBN1	CFDB5-63-448	63	448	5 x 12 x 7	\$749	V1
	3	CFW700A10P0T2DBN1	CFDB5-63-448	63	448	5 x 12 x 7	\$749	V1
	5	CFW700A13P0T2DBN1	CFDB5-38-746	38	746	5 x 12 x 10	\$941	V1
	5	CFW700A16P0T2DBN1	CFDB5-38-746	38	746	5 x 12 x 10	\$941	V1
	7 1/2	CFW700B24P0T2DBN1	CFDB5-26-1119	26	1,119	5 x 12 x 13	\$1,130	V1
	10	CFW700B28P0T2DBN1	CFDB5-19-1492	19	1,492	5 x 12 x 16	\$1,322	V1
	10	CFW700B33P5T2DBN1	CFDB5-19-1492	19	1,492	5 x 12 x 16	\$1,322	V1
	15	CFW700C45P0T2DBN1	CFDB5-13-2238	12.6	2,238	5 x 19 x 10	\$1,644	V1
	20	CFW700C54P0T2DBN1	CFDB5-10-2984	9.6	2,984	5 x 19 x 10	\$1,644	V1
	25	CFW700C70P0T2DBN1	CFDB5-8-3730	7.5	3,730	5 x 19 x 13	\$1,997	V1
	30	CFW700D86P0T2DBN1	CFDB5-7-4476	6.3	4,476	5 x 26.5 x 13	\$2,588	V1
	40	CFW700D0105T2DBN1	CFDB5-5-5968	4.9	5,968	5 x 26.5 x 16	\$3,269	V1
	50	CFW700E142T2DBN1C3	CFDB5-4-7460	3.9	7,460	10 x 28 x 10	\$3,820	V1
	60	CFW700E180T2DBN1C3	CFDB5-4-8952	3.3	8,952	10 x 28 x 10	\$3,820	V1
	75	CFW700E211T2DBN1C3	CFDB5-3-11190	2.7	11,190	10 x 28 x 13	\$5,622	V1
460 Vac	2	CFW700A03P6T4DBN1	CFDB5-375-298	375	298	5 x 12 x 7	\$749	V1
	3	CFW700A05P0T4DBN1	CFDB5-250-448	250	448	5 x 12 x 7	\$749	V1
	5	CFW700A07P0T4DBN1	CFDB5-150-746	150	746	5 x 12 x 10	\$941	V1
	7 1/2	CFW700A10P0T4DBN1	CFDB5-100-1119	100	1,119	5 x 12 x 13	\$1,130	V1
	10	CFW700A13P5T4DBN1	CFDB5-75-1492	75	1,492	5 x 12 x 16	\$1,322	V1
	10	CFW700B17P0T4DBN1	CFDB5-75-1492	75	1,492	5 x 12 x 16	\$1,322	V1
	15	CFW700B24P0T4DBN1	CFDB5-50-2238	50	2,238	5 x 19 x 13	\$1,820	V1
	20	CFW700B31P0T4DBN1	CFDB5-38-2984	38	2,984	5 x 19 x 16	\$2,201	V1
	25	CFW700C38P0T4DBN1	CFDB5-30-3730	30	3,730	5 x 26.5 x 13	\$2,511	V1
	30	CFW700C45P0T4DBN1	CFDB5-25-4476	25	4,476	5 x 26.5 x 13	\$2,511	V1
	40	CFW700C58P5T4DBN1	CFDB5-19-5968	19	5,968	5 x 26.5 x 16	\$2,938	V1
	50/60	CFW700D70P5T4DBN1	CFDB2-15-8952	15	8,952	10 x 28 x 13	\$4,328	V1
	60/75	CFW700D88P0T4DBN1	CFDB5-10-11190	10	11,190	10 x 28 x 16	\$5,659	V1
	75	CFW700E105T4DBN1C3	CFDB5-10-11190	10	11,190	10 x 28 x 16	\$5,659	V1
	100/125	CFW700E142T4DBN1C3	CFDB5-8-18650	8	18,650	24 x 30 x 18	\$9,560	V1
	150	CFW700E180T4DBN1C3	CFDB5-5-22380	5	22,380	24 x 30 x 18	\$11,854	V1
	175	CFW700E211T4DBN1C3	CFDB5-5-29840	5	29,840	24 x 30 x 18	\$11,854	V1

Notes:

1) Dimensions are provided for estimating purposes only.

Variable Frequency Drives and Enclosed Motor Controls



100% Braking Torque at 50% Duty Cycle (30 Seconds Max. Braking Time)
NEMA 1 Enclosure

Motor Voltage	Motor HP ¹	CFW700 Catalog Number	Braking Resistor Catalog Number ²	Rated Ohms	Rated Watts	Dimensions (in.) HxWxD ³	List Price	Multiplier
230 Vac	1 1/2	CFW700A06P0B2DBN1	CFDB5-125-560	125	560	5 x 12 x 10	\$941	V1
	2	CFW700A07P0B2DBN1	CFDB5-95-746	95	746	5 x 12 x 10	\$941	V1
	2	CFW700A07P0T2DBN1	CFDB5-95-746	95	746	5 x 12 x 10	\$941	V1
	3	CFW700A10P0S2DBN1	CFDB5-63-1119	63	1,119	5 x 12 x 10	\$1,130	V1
	3	CFW700A10P0T2DBN1	CFDB5-63-1119	63	1,119	5 x 12 x 10	\$1,130	V1
	5	CFW700A13P0T2DBN1	CFDB5-38-1865	38	1,865	5 x 19 x 13	\$1,820	V1
	5	CFW700A16P0T2DBN1	CFDB5-38-1865	38	1,865	5 x 19 x 13	\$1,820	V1
	7 1/2	CFW700B24P0T2DBN1	CFDB5-26-2798	26	2,798	5 x 26.5 x 13	\$2,511	V1
	10	CFW700B28P0T2DBN1	CFDB5-19-3730	19	3,730	5 x 26.5 x 13	\$2,511	V1
	10	CFW700B33P5T2DBN1	CFDB5-19-3730	19	3,730	5 x 26.5 x 13	\$2,511	V1
	15	CFW700C45P0T2DBN1	CFDB5-13-5595	12.6	5,595	5 x 26.5 x 16	\$2,938	V1
	20	CFW700C54P0T2DBN1	CFDB5-10-7460	9.6	7,460	10 x 28 x 13	\$4,663	V1
	25	CFW700C70P0T2DBN1	CFDB5-8-9325	7.5	9,325	10 x 28 x 13	\$4,663	V1
	30	CFW700D86P0T2DBN1	CFDB5-7-11190	6.3	11,190	10 x 28 x 16	\$5,254	V1
	40	CFW700D0105T2DBN1	CFDB5-5-14920	4.9	14,920	24 x 30 x 18	\$6,762	V1
	50	CFW700E142T2DBN1C3	CFDB5-4-18650	3.9	18,650	24 x 30 x 18	\$10,325	V1
	60	CFW700E180T2DBN1C3	CFDB5-4-22380	3.3	22,380	24 x 30 x 18	\$10,325	V1
75	CFW700E211T2DBN1C3	CFDB5-3-27975	2.7	27,975	32 x 30 x 18	\$10,325	V1	
460 Vac	2	CFW700A03P6T4DBN1	CFDB5-375-746	375	746	5 x 12 x 13	\$1,130	V1
	3	CFW700A05P0T4DBN1	CFDB5-250-1119	250	1,119	5 x 12 x 16	\$1,511	V1
	5	CFW700A07P0T4DBN1	CFDB5-150-1865	150	1,865	5 x 19 x 13	\$1,703	V1
	7 1/2	CFW700A10P0T4DBN1	CFDB5-100-2798	100	2,798	5 x 19 x 16	\$1,892	V1
	10	CFW700A13P5T4DBN1	CFDB5-75-3730	75	3,730	5 x 26.5 x 16	\$2,938	V1
	10	CFW700B17P0T4DBN1	CFDB5-75-3730	75	3,730	5 x 26.5 x 16	\$2,938	V1
	15	CFW700B24P0T4DBN1	CFDB5-50-5595	50	5,595	10 x 28 x 13	\$4,254	V1
	20	CFW700B31P0T4DBN1	CFDB5-38-7460	38	7,460	10 x 28 x 13	\$4,254	V1
	25	CFW700C38P0T4DBN1	CFDB5-30-9325	30	9,325	10 x 28 x 16	\$4,715	V1
	30	CFW700C45P0T4DBN1	CFDB5-25-11190	25	11,190	10 x 28 x 16	\$5,071	V1
	40	CFW700C58P5T4DBN1	CFDB5-19-14920	19	14,920	24 x 30 x 18	\$8,858	V1
	50/60	CFW700D70P5T4DBN1	CFDB2-15-22380	15	22,380	24 x 30 x 18	\$10,176	V1
	75	CFW700D88P0T4DBN1	CFDB5-10-27975	10	27,975	32 x 30 x 18	\$14,625	V1
	75	CFW700E105T4DBN1C3	CFDB5-10-27975	10	27,975	32 x 30 x 18	\$14,625	V1
	100/125	CFW700E142T4DBN1C3	CFDB5-8-46625	8	46,625	32 x 30 x 18	\$16,923	V1
	150	CFW700E180T4DBN1C3	CFDB5-5-55950	5	55,950	48 x 30 x 18	\$18,814	V1
	175	CFW700E211T4DBN1C3	CFDB5-5-74600	5	74,600	72 x 30 x 18	\$31,678	V1

Notes:

- 1) "HP" rating based on "average FLA values". Use as a guide only.
- 2) Dynamic Braking Resistors are non-stock items. Consult WEG for availability.
- 3) Dimensions are provided for estimating purposes only.

Variable Frequency Drives and Enclosed Motor Controls

CFW700

3% Z (Impedance) – NEMA 1 Enclosure

Motor Voltage	Motor HP	Reactor Amps	Catalog Number	Dimensions (in.) ¹ HxWxD	Approx. Weight (lbs.) ¹	List Price	Multiplier
230 Vac	Input Power Supply: Three-Phase 230 Vac						
	3	12	LRW012D3N1	8 x 8 x 6	16	\$436	V1
	5	18	LRW018D3N1	8 x 8 x 6	16	\$512	V1
	7 1/2	25	LRW025D3N1	13 x 13.3 x 13.1	42	\$590	V1
	10	35	LRW035D3N1	13 x 13.3 x 13.1	45	\$634	V1
	15	45	LRW045D3N1	13 x 13.3 x 13.1	54	\$756	V1
	20	55	LRW055D3N1	13 x 13.3 x 13.1	55	\$890	V1
	25 / 30	80	LRW080D3N1	13 x 13.3 x 13.1	74	\$905	V1
	40	100	LRW100D3N1	13 x 13.3 x 13.1	78	\$1,086	V1
	50	130	LRW130D3N1	13 x 13.3 x 13.1	60	\$1,175	V1
	60	160	LRW160D3N1	13 x 13.3 x 13.1	71	\$1,424	V1
75	200	LRW200D3N1	13 x 13.3 x 13.1	79	\$1,488	V1	
460 Vac	Input Power Supply: Three-Phase 460 Vac						
	1 1/2	2	LRW002G3N1	8 x 8 x 6	11	\$387	V1
	2, 3	4	LRW004G3N1	8 x 8 x 6	11	\$394	V1
	5	8	LRW008G3N1	8 x 8 x 6	14	\$415	V1
	7 1/2	12	LRW012G3N1	8 x 8 x 6	16	\$452	V1
	10	18	LRW018G3N1	8 x 8 x 6	16	\$519	V1
	15	25	LRW025G3N1	13 x 13.3 x 13.1	42	\$601	V1
	20 / 25	35	LRW035G3N1	13 x 13.3 x 13.1	45	\$715	V1
	30	45	LRW045G3N1	13 x 13.3 x 13.1	54	\$841	V1
	40	55	LRW055G3N1	13 x 13.3 x 13.1	55	\$987	V1
	50 / 60	80	LRW080G3N1	13 x 13.3 x 13.1	60	\$1,179	V1
	75	100	LRW100G3N1	13 x 13.3 x 13.1	71	\$1,450	V1
	100	130	LRW130G3N1	13 x 13.3 x 13.1	74	\$1,750	V1
	125	160	LRW160G3N1	13 x 13.3 x 13.1	48	\$2,060	V1
	150	200	LRW200G3N1	13 x 13.3 x 13.1	79	\$2,400	V1
	200	250	LRW250G3N1	24 x 18.4 x 16.8	99	\$2,990	V1
	250	320	LRW320G3N1	24 x 18.4 x 16.8	155	\$3,700	V1
	300	400	LRW400G3N1	24 x 18.4 x 16.8	155	\$4,962	V1
	350 / 400	500	LRW500G3N1	47 x 26.5 x 24.9	165	\$6,446	V1
	450 / 500	600	LRW600G3N1	47 x 26.5 x 24.9	205	\$7,950	V1
750 / 800	1000	LRW1000G3N1	Consult Factory			\$9,788	V1

Notes:

1) Dimensions and weights are provided for estimating purposes only.

Variable Frequency Drives and Enclosed Motor Controls

CFW08 WASH

The WEG CFW08 WASH Series is a redesign of our successful uline VFDs. Engineering improvements have produced one of the most compact and full featured microdrives in the marketplace.

Outstanding features and options in a NEMA 4 enclosure allow the CFW08 WASH to be successfully used in a large variety of applications.

Standard Features

- Same programming as other WEG VFD's
- V/Hz and Sensorless Vector Control
- NEMA 4X(IP56) Enclosure
- Single and Three-phase input voltage
- 200-240V, 380-480V or 500-600 input voltage
- 150% current overload capacity
- 16 bit DSP controlled PWM output
- 2.5 / 5 / 10 / 15 kHz adjustable swiching frequency
- Four isolated programmable digital inputs
- Two programmable relay outputs (1NO, 1NC, 240vac 0.5A)
- Two isolated programmable analog inputs (0-10V, 0/4-20mA)
- Protective features: Over current, motor overload, drive over temperature, output phase-to-phase and phase-to-ground short circuit, DC bus over and under voltage and external fault
- Control features: Linear and "S" ramp acceleration and deceleration, local/remote control, DC braking, torque boost, motor slip compensation, electronic pot, preset speeds, adjustable V/Hz profile, maximum and minimum adjustable frequency limits, two skip frequencies, adjustable output current limit, JOG, ride-thru, flying start and PID regulator.
- Display readings: Motor speed, frequency, voltage, current, last fault, heatsink temperature and drive status
- Ambient: 32°F (0°C) to 104°F (40°C), 3300ft (1000m) altitude, 90% humidity, non-condensing
- SuperDrive (G1) compatible



Applications NEMA 4X

- Pumps
- Fans
- Blowers
- Conveyors
- Rollout tables
- Agitators
- Mixers
- Any washdown applications

Variable Frequency Drives and Enclosed Motor Controls

Optional Features

- Dynamic Braking Resistors available
 - Remote Keypad with Copy Function
 - RS-232 or RS-485 Serial Interface
 - Modbus Communication*
 - DIN rail mounting through 2HP
- *Requires optional RS-232 or RS-485 Interface

CFW08 WASH Catalog Number Sequence

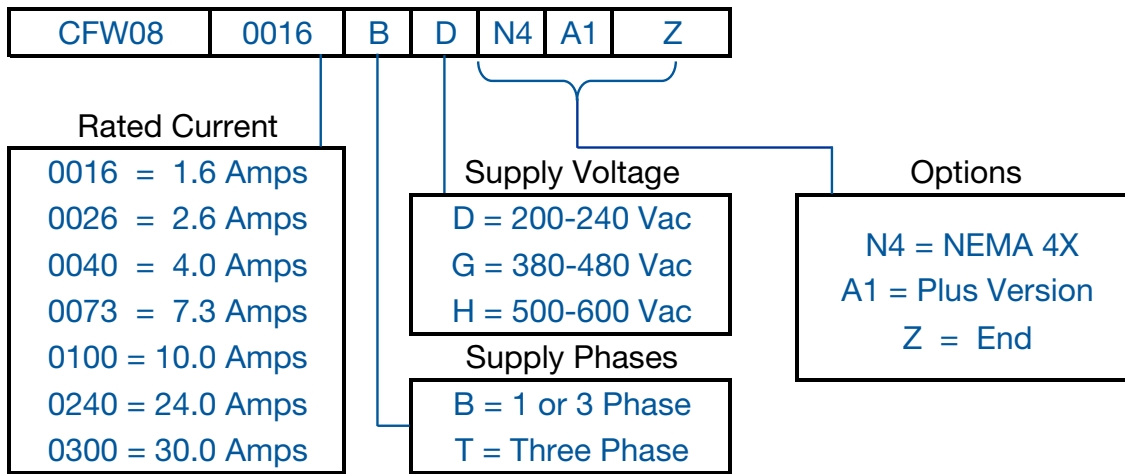


Table intended as reference only and not to create part numbers.



Wash Down - NEMA 4X Enclosure

Motor Voltage	Motor HP ¹	Drive Amps ²	Catalog Number	Braking Transistor	Frame Size	Dimensions (in.) HxWxD	Approx. Weight (lbs.)	List Price	Multiplier
230 Vac	Input Power Supply: Single or Three-Phase 200-240 Vac								
	2	7.3	CFW080073BDN4A1Z	Yes	A	10.4 x 6.5 x 8.5	5	\$929	V1
	3	10.0	CFW080100BDN4A1Z	Yes	A	10.4 x 6.5 x 8.5	5	\$1,039	V1
	Input Power Supply: Three-Phase 230 Vac								
	5	16	CFW080160TDN4A1Z	Yes	A	10.4 x 6.5 x 8.5	5	\$1,228	V1
	7 1/2	22	CFW080220TDN4A1Z	Yes	B	13.4 x 8.5 x 8.5	18	\$1,769	V1
10	28	CFW080280TDN4A1Z	Yes	B	13.4 x 8.5 x 8.5	18	\$2,266	V1	
460 Vac	Input Power Supply: Three-Phase 380-480 Vac								
	1	2.7	CFW080027TGN4A1Z	Yes	A	10.4 x 6.5 x 8.5	5	\$894	V1
	2	4.3	CFW080043TGN4A1Z	Yes	A	10.4 x 6.5 x 8.5	5	\$1,118	V1
	3	6.5	CFW080065TGN4A1Z	Yes	A	10.4 x 6.5 x 8.5	5	\$1,331	V1
	5	10	CFW080100TGN4A1Z	Yes	A	10.4 x 6.5 x 8.5	5	\$1,516	V1
	7 1/2	13	CFW080130TGN4A1Z	Yes	B	13.4 x 8.5 x 8.5	18	\$1,856	V1
	10	16	CFW080160TGN4A1Z	Yes	B	13.4 x 8.5 x 8.5	18	\$2,144	V1
	15	24	CFW080240TGN4A1Z	Yes	B	13.4 x 8.5 x 8.5	18	\$2,876	V1
20	30	CFW080300TGN4A1Z	Yes	B	13.4 x 8.5 x 8.5	18	\$3,474	V1	
575 Vac ³	Input Power Supply: Three-Phase 500-600 Vac								
	1	1.7	CFW080017THN4A1Z	Yes	B	13.4 x 8.5 x 8.5	18	\$1,259	V1
	2	3.0	CFW080030THN4A1Z	Yes	B	13.4 x 8.5 x 8.5	18	\$1,421	V1
	3	4.3	CFW080043THN4A1Z	Yes	B	13.4 x 8.5 x 8.5	18	\$1,485	V1
	5	7.0	CFW080070THN4A1Z	Yes	B	13.4 x 8.5 x 8.5	18	\$1,767	V1
	7 1/2	10	CFW080100THN4A1Z	Yes	B	13.4 x 8.5 x 8.5	18	\$2,077	V1
10	12	CFW080120THN4A1Z	Yes	B	13.4 x 8.5 x 8.5	18	\$2,388	V1	

Notes:

- 1) "HP" rating based on "average FLA values". Use as a guide only.
 - 2) Motor FLA may vary with speed and manufacturer. ALWAYS compare motor FLA to Nominal AMPS of drive.
 - 3) All 575V drives are non-stocked items. Consult WEG for availability.
- For other technical data please refer to WEG product manual.

Variable Frequency Drives and Enclosed Motor Controls

CFW08 WASH

Options and Accessories

Type	Catalog Number	Description	List Price	Multiplier
Keypad	HMI-CFW08-RS	NEMA12 Remote Keypad (requires MIS-CFW08-RS & cable)	\$135	V1
	MIS-CFW08-RS	Remote Keypad Interface	\$64	V1
	TCL-CFW08	Keypad Cover	\$13	V1
	CAB-RS-1	3.3 ft (1m) Remote Keypad Cable	\$23	V1
	CAB-RS-2	6.6 ft (2m) Remote Keypad Cable	\$31	V1
	CAB-RS-3	9.9 ft (3m) Remote Keypad Cable	\$41	V1
	CAB-RS-5	16 ft (3m) Remote Keypad Cable	\$51	V1
	CAB-RS-7.5	25 ft (7.5m) Remote Keypad Cable	\$62	V1
	CAB-RS-10	33 ft (10m) Remote Keypad Cable	\$72	V1
I/O	KAC-120-CFW08	120VAC Digital Input Adaptor Board (4 inputs)	\$145	V1
Communication	KCS-CFW08	RS-232 Serial Comm. Module (mounted in place of keypad)	\$97	V1
	MIW-02	RS-232/485 Converter (mounted externally)	\$221	V1
	KSD-CFW08	PC Communication Kit	\$124	V1
	KRS-485-CFW08	Interface for RS-485 Communication	\$186	V1
DC Power Supply	KDC-24V-CFW08	24VDC power supply with standard CFW08 HMI integrated	\$177	V1
	KDC-24VR-CFW08	24VDC power supply with interface for remote keypad	\$211	V1
Remote Oper. Station	CSW-SP3PBS	Remote Operator Station-includes 22mm Start PB, Stop PB, 1-NC and 1-NO contact block, 5k-ohm Potentiometer and legends (replaces CFW-REM)	\$460	Z5
	CSW30-SP3PBS	Remote Operator Station-includes 30mm Start PB, Stop PB, 1-NC and 1-NO contact block, 5k-ohm Potentiometer and legends (replaces CFW-REM)	\$535	Z5



10% Duty Cycle

Motor Voltage	Motor HP ¹	CFW08 Catalog Number	WEG DB Resistor Catalog Number ²	Ohms	Watts	List Price	Multiplier
230 Vac	Input Power Supply: Single or Three-Phase 200-240 Vac						
	2	CFW080073BDN4A1Z	CFDB39-224	39	224	\$183	V1
	3	CFW080100BDN4A1Z	CFDB27-298	27	298	\$183	V1
	5	CFW080160TDN4A1Z	CFDB22-373	22	373	\$183	V1
	7 1/2	CFW080220TDN4A1Z	CFDB15-560	15	560	\$319	V1
	10	CFW080280TDN4A1Z	CFDB10-746	10	746	\$319	V1
460 Vac	Input Power Supply: Three-Phase 380-480 Vac						
	1	CFW080027TGN1A1Z	CFDB120-298	120	298	\$183	V1
	2	CFW080043TGN1A1Z	CFDB120-298	120	298	\$183	V1
	3	CFW080065TGN1A1Z	CFDB100-224	100	224	\$183	V1
	5	CFW080100TGN1A1Z	CFDB47-746	47	746	\$319	V1
	7 1/2	CFW080130TGN1A1Z	CFDB33-746	33	746	\$319	V1
	10	CFW080160TGN1A1Z	CFDB33-746	33	746	\$319	V1
	15	CFW080240TGN1A1Z	CFDB22-1119	22	1119	\$481	V1
	20	CFW080300TGN1A1Z	CFDB18-1492	18	1492	\$638	V1

Notes:

- 1) "HP" rating based on "average FLA values". Use as a guide only.
- 2) Dynamic Braking Resistors are non-stock items. Consult WEG for availability

CFW08 WASH Technical Data

Power Supply	Voltage	Single Phase or Three Phase	200-240V (+10%, -15%)
		Three phase	380-480V (+10%, -15%)
	Frequency	50 / 60Hz +/- 2Hz	
	Displacement Power Factor (Cos)	Greater than 0.98	
Enclosure	Degree of Protection	NEMA 4	
Control	Control Modes	Volts per Hertz (Scalar)	
		Sensorless Voltage Vector VVV	
	Power Output	Sinusoidal PWM (Space Vector Modulation)	
		IGBT Transistors	
	Switching Frequency	2.5, 5, 10 or 15kHz	
	Frequency Range	0-300 Hz	
Overload Capacity	150% for 60 seconds, repeatable every 10 min.		
Control Inputs	4 programmable isolated digital inputs, NPN or 24Vdc logic (PNP)		
	2 programmable differential analog inputs; programmable for current or voltage Can be set as DI or as PTC input (0-10V, 4-20mA or 0-20mA)		
Control Outputs	2 programmable relay outputs: One NO (Form A) and one NC (Form B): 240 V / 0.5 A		
	1 Output with independent NO and NC at a same common		
	1 Analog Output; programmable for voltage (0-10V) or current (0-20 mA or 4-20 mA) and with 0.25% linearity error		
Communication	Serial	Optional RS-232 serial interface, RS-485 with external RS-232/485 converter	
	Field Bus	Modbus RTU with external RS-232/485 converter	
Safety	Protections	Motor over current	DC link over voltage
		Motor overload	DC link under voltage
		Output phase-to-phase short circuit	Drive over temperature
		Output phase-to-ground short circuit	External fault
		Programming error	
Ambient	Temperature	32° - 104°F (40°C), up to 122°F (50°C) with 2% / 1.8°F (1°C) output current derating	
	Humidity	5-90% Non Condensing	
	Altitude	0-3300 ft (1000m), up to 13,200 ft (4000m) with 1% output current derating per 330ft (100m) above 3300 ft (1000m).	
Regulatory Conformance	EMC Directive 89 / 336 / EEC	Electromagnetic compatibility – Industrial Environment EMC Emission and Immunity with optional filter	
	ENC61800-3		
	LVD 73/23/EEC	Low Voltage Directive	
	UL 508 C	Power Conversion Equipment	
Special Functions	Linear and “S” ramp accel and decel, local/remote control, FWD/REV selection, DC braking, manual and auto torque boost, motor slip compensation, electronic pot, two skip frequencies, maximum and minimum adjustable frequency limits, adjustable output current, PID Controller		
Keypad	4 digit display, 2 indicator LEDs and 8 keys		
	Readouts for: output frequency (Hz), output current (A), output voltage (V), motor torque (%) in vector mode, DC bus voltage (V), value proportional to frequency (Ex.: RPM), heatsink temperature, fault and status messages		
Mounting	Surface mounting with screws.		

EDP11

The Enclosed VFD Panel is an industrial general purpose AC motor control and protection package. It is designed for simple and quick installation and start-up, requiring only input power and output motor connections. There are two enclosure variants available such as NEMA 12 ventilated and NEMA 3R for Outdoor Installations.

The Enclosed VFD Panel is built to complement the ruggedness and reliability of WEG motors, providing a complete, simple, and cost effective AC motor control, monitor and protection solution.

NEMA 12 Features

- CFW11 Drive
- Indoor Rated
- Wall mounted
- Circuit Breaker with through door handle
- CFW11 VFD (Dual DC choke built-in)
- Fused 480V/120V CPT
- Internal Fan
- Heat sink through the back
- Motor Terminal Block
- Door mounted keypad
- Start / Stop Pushbuttons
- Run/Fault Pilot Lights
- Keypad cover - same as GPH2
- Drive and controls mounted in NEMA 4 section of panel; heat sink is external and rated NEMA 12

NEMA 3R Features

- NEMA 12 features plus:
- Outdoor Rated
- ED1-ED4: non-ventilated and wall mounted
- ED5: non-ventilated and floor mounted
- ED6-ED9: ventilated and floor mounted
- Weather kit (rain/sun/snow shield)
- Panel space heater + thermostat
- Lightning arrestor
- Service entrance rated



3-Contactor Bypass Option

- NEMA 12 or NEMA 3R version
- AC3 full rated by-pass contactor
- Drive input and output contactors
- Motor overload relay
- E-Stop Mushroom style pushbutton
- Enclosure size to be determined

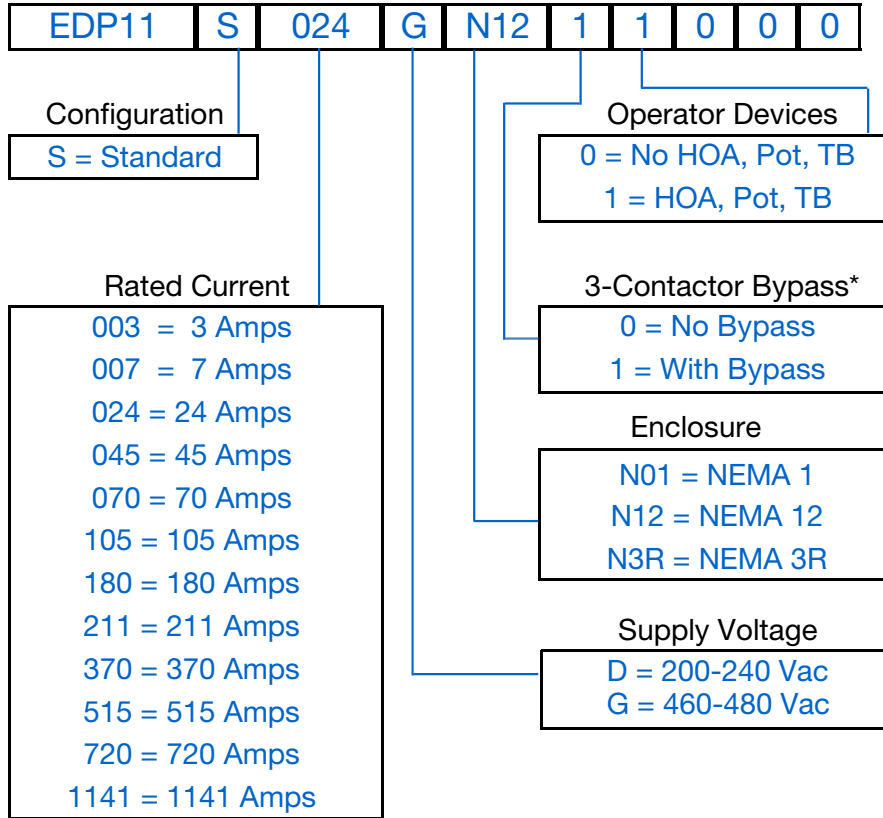
HOA/POT/TB Option

- HOA = Hand-OFF-Auto
- POT = Potentiometer for speed reference of PID setpoint
- TB = Auxiliary control terminal block for remote command

Variable Frequency Drives and Enclosed Motor Controls



EDP11 Catalog Number Sequence





Enclosed VFD Panel - NEMA 12 Enclosure (no By-Pass)

Motor Voltage	ND / VT1		HD / CT1		Catalog Number	Braking Transistor	Drive Frame Size	Enclosure Frame Size ⁴	Dimensions (in.) HxWxD ⁷	Approx. Weight (lbs.) ⁷	List Price	Multiplier
	Motor HP ²	Drive Amps ³	Motor HP ²	Drive Amps ³								
230 Vac	Input Power Supply: Three-Phase 220-240 Vac with Dynamic Braking Transistor											
	2	7.0	1 1/2	5.5	EDP11S007DN12	Yes	A	ED1	24 x 20 x 11.5	36	\$6,690	V1
	3	10	2	8.0	EDP11S010DN12	Yes	A	ED1	24 x 20 x 11.5	36	\$6,756	V1
	5	13	3	11	EDP11S013DN12	Yes	A	ED1	24 x 20 x 11.5	41	\$6,855	V1
	5	16	5	13	EDP11S016DN12	Yes	A	ED1	24 x 20 x 11.5	42	\$7,123	V1
	7 1/2	24	7 1/2	20	EDP11S024DN12	Yes	B	ED1	24 x 20 x 11.5	56	\$7,664	V1
	10	28	10	24	EDP11S028DN12	Yes	B	ED1	24 x 20 x 11.5	56	\$8,408	V1
	10	33.5	10	28	EDP11S033DN12	Yes	B	ED1	24 x 20 x 11.5	56	\$9,108	V1
	15	45	15	36	EDP11S045DN12	Yes	C	ED2	30 x 24 x 14	88	\$10,214	V1
	20	54	20	45	EDP11S054DN12	Yes	C	ED2	30 x 24 x 14	90	\$11,491	V1
	25	70	20	56	EDP11S070DN12	Yes	C	ED2	30 x 24 x 14	100	\$12,162	V1
	30	86	25	70	EDP11S086DN12	Yes	D	ED3	36 x 30 x 14	230	\$14,321	V1
	40	105	30	86	EDP11S105DN12	Yes	D	ED3	36 x 30 x 14	240	\$17,164	V1
	50	142	40	115	EDP11S142DN12	No	E ⁵	ED4	48 x 30 x 17.5	300	\$19,793	V1
	60	180	50	142	EDP11S180DN12	No	E ⁵	ED4	48 x 30 x 17.5	300	\$25,116	V1
75	211	60	180	EDP11S211DN12	No	E ⁵	ED4	48 x 30 x 17.5	300	\$28,326	V1	
460 Vac	Input Power Supply: Three-Phase 460-480 Vac with Dynamic Braking Transistor											
	2	3.6	2	3.6	EDP11S003GN12	Yes	A	ED1	24 x 20 x 11.5	36	\$6,510	V1
	3	5.0	3	5.0	EDP11S005GN12	Yes	A	ED1	24 x 20 x 11.5	36	\$6,626	V1
	5	7.0	3	5.5	EDP11S007GN12	Yes	A	ED1	24 x 20 x 11.5	41	\$6,690	V1
	7 1/2	10	5	10	EDP11S010GN12	Yes	A	ED1	24 x 20 x 11.5	42	\$6,756	V1
	10	13.5	7 1/2	11	EDP11S013GN12	Yes	A	ED1	24 x 20 x 11.5	42	\$6,855	V1
	10	17	10	13.5	EDP11S017GN12	Yes	B	ED1	24 x 20 x 11.5	56	\$7,269	V1
	15	24	10	19	EDP11S024GN12	Yes	B	ED1	24 x 20 x 11.5	56	\$7,821	V1
	20	31	15	25	EDP11S031GN12	Yes	B	ED1	24 x 20 x 11.5	56	\$8,580	V1
	25	38	20	33	EDP11S038GN12	Yes	C	ED2	30 x 24 x 14	90	\$9,293	V1
	30	45	25	38	EDP11S045GN12	Yes	C	ED2	30 x 24 x 14	104	\$10,422	V1
	40	58.5	30	47	EDP11S058GN12	Yes	C	ED2	30 x 24 x 14	110	\$12,026	V1
	50/60	70.5	40	61	EDP11S070GN12	Yes	D	ED3	36 x 30 x 14	240	\$12,729	V1
	75	88	50	73	EDP11S088GN12	Yes	D	ED3	36 x 30 x 14	245	\$14,988	V1
	75	105	75	88	EDP11S105GN12	No	E ⁵	ED4	48 x 30 x 17.5	300	\$17,964	V1
	100/125	142	75	115	EDP11S142GN12	No	E ⁵	ED4	48 x 30 x 17.5	300	\$20,715	V1
	150	180	100	142	EDP11S180GN12	No	E ⁵	ED4	48 x 30 x 17.5	300	\$26,286	V1
	175	211	125	180	EDP11S211GN12	No	E ⁵	ED4	48 x 30 x 17.5	300	\$29,645	V1
	200	242	150	211	EDP11S242GN12	No	F ⁵	ED6	83 x 32 x 37	700	\$40,755	V1
	250	312	200	242	EDP11S312GN12	No	F ⁵	ED6	83 x 32 x 37	720	\$45,114	V1
300	370	250	312	EDP11S370GN12	No	F ⁵	ED6	83 x 32 x 37	750	\$47,743	V1	
400	477	300	370	EDP11S477GN12	No	F ⁵	ED6	83 x 32 x 37	775	\$54,585	V1	
450	515	400	477	EDP11S515GN12	No	G ⁵	ED8	83 x 56 x 37	1100	\$66,023	V1	
500	601	450	515	EDP11S601GN12	No	G ⁵	ED8	83 x 56 x 37	1120	\$71,875	V1	
600	720	500	560	EDP11S720GN12	No	G ⁶	ED8	83 x 56 x 37	1150	\$88,556	V1	

Notes:

- 1) CT = Constant Torque, 150% overload / 60 sec.; VT = Variable Torque (Quadratic Load), 110% overload / 60 sec.
- 2) "HP" rating based on "average FLA values". Use as a guide only.
- 3) Motor FLA may vary with speed and manufacturer. ALWAYS compare motor FLA to Nominal AMPS of drive.
- 4) ED1 - ED5 enclosures are non-ventilated and wall-mounted; ED6 - ED9 enclosures are ventilated and floor mounted.
- 5) Maximum 45°C ambient temperature without derating
- 6) Maximum 40°C ambient temperature without derating
- 7) Dimensions and weights are for estimating purposes only. Only use "AS BUILT" drawings for construction. For other technical data please refer to WEG product manual.

EDP11 - ENGINEERED DRIVE PANEL

Enclosed VFD Panel - NEMA 12 Enclosure with By-Pass

Motor Voltage	ND / VT1		HD / CT1		Catalog Number	Braking Transistor	Drive Frame Size	Enclosure Frame Size ⁴	Dimensions (in.) HxWxD ⁷	Approx. Weight (lbs.) ⁷	List Price	Multiplier
	Motor HP ²	Drive Amps ³	Motor HP ²	Drive Amps ³								
230 Vac	Input Power Supply: Three-Phase 220-240 Vac with Dynamic Braking Transistor											
	2	7.0	1 1/2	5.5	EDP11S007DN1210000	Yes	A	ED2	30 x 24 x 14	36	\$8,200	V1
	3	10	2	8.0	EDP11S010DN1210000	Yes	A	ED2	30 x 24 x 14	36	\$8,276	V1
	5	13	3	11	EDP11S013DN1210000	Yes	A	ED2	30 x 24 x 14	41	\$8,375	V1
	5	16	5	13	EDP11S016DN1210000	Yes	A	ED2	30 x 24 x 14	42	\$8,643	V1
	7 1/2	24	7 1/2	20	EDP11S024DN1210000	Yes	B	ED2	30 x 24 x 14	56	\$9,262	V1
	10	28	10	24	EDP11S028DN1210000	Yes	B	ED2	30 x 24 x 14	56	\$10,200	V1
	10	33.5	10	28	EDP11S033DN1210000	Yes	B	ED2	30 x 24 x 14	56	\$11,011	V1
	15	45	15	36	EDP11S045DN1210000	Yes	C	ED3	36 x 30 x 14	88	\$12,316	V1
	20	54	20	45	EDP11S054DN1210000	Yes	C	ED3	36 x 30 x 14	90	\$13,738	V1
	25	70	20	56	EDP11S070DN1210000	Yes	C	ED3	36 x 30 x 14	100	\$14,857	V1
	30	86	25	70	EDP11S086DN1210000	Yes	D	ED4	48 x 30 x 17.5	230	\$17,016	V1
	40	105	30	86	EDP11S105DN1210000	Yes	D	ED4	48 x 30 x 17.5	240	\$20,052	V1
	50	142	40	115	EDP11S142DN1210000	No	E ⁵	ED5	72 x 36 x 18	300	\$24,778	V1
	60	180	50	142	EDP11S180DN1210000	No	E ⁵	ED5	72 x 36 x 18	300	\$31,111	V1
75	211	60	180	EDP11S211DN1210000	No	E ⁵	ED5	72 x 36 x 18	300	\$35,651	V1	
460 Vac	Input Power Supply: Three-Phase 460-480 Vac with Dynamic Braking Transistor											
	2	3.6	2	3.6	EDP11S003GN1210000	Yes	A	ED2	30 x 24 x 14	36	\$8,020	V1
	3	5.0	3	5.0	EDP11S005GN1210000	Yes	A	ED2	30 x 24 x 14	36	\$8,136	V1
	5	7.0	3	5.5	EDP11S007GN1210000	Yes	A	ED2	30 x 24 x 14	41	\$8,200	V1
	7 1/2	10	5	10	EDP11S010GN1210000	Yes	A	ED2	30 x 24 x 14	42	\$8,276	V1
	10	13.5	7 1/2	11	EDP11S013GN1210000	Yes	A	ED2	30 x 24 x 14	42	\$8,375	V1
	10	17	10	13.5	EDP11S017GN1210000	Yes	B	ED2	30 x 24 x 14	56	\$8,867	V1
	15	24	10	19	EDP11S024GN1210000	Yes	B	ED2	30 x 24 x 14	56	\$9,613	V1
	20	31	15	25	EDP11S031GN1210000	Yes	B	ED2	30 x 24 x 14	56	\$10,483	V1
	25	38	20	33	EDP11S038GN1210000	Yes	C	ED3	36 x 30 x 14	90	\$11,395	V1
	30	45	25	38	EDP11S045GN1210000	Yes	C	ED3	36 x 30 x 14	104	\$12,669	V1
	40	58.5	30	47	EDP11S058GN1210000	Yes	C	ED3	36 x 30 x 14	110	\$14,721	V1
	50/60	70.5	40	61	EDP11S070GN1210000	Yes	D	ED4	48 x 30 x 17.5	240	\$15,424	V1
	75	88	50	73	EDP11S088GN1210000	Yes	D	ED4	48 x 30 x 17.5	245	\$17,876	V1
	75	105	75	88	EDP11S105GN1210000	No	E ⁵	ED5	72 x 36 x 18	300	\$21,308	V1
	100/125	142	75	115	EDP11S142GN1210000	No	E ⁵	ED5	72 x 36 x 18	300	\$25,700	V1
	150	180	100	142	EDP11S180GN1210000	No	E ⁵	ED5	72 x 36 x 18	300	\$32,281	V1
	175	211	125	180	EDP11S211GN1210000	No	E ⁵	ED5	72 x 36 x 18	300	\$36,970	V1
	200	242	150	211	EDP11S242GN1210000	No	F ⁵	ED7	83 x 64 x 37	700	\$53,334	V1
	250	312	200	242	EDP11S312GN1210000	No	F ⁵	ED7	83 x 64 x 37	720	\$59,257	V1
	300	370	250	312	EDP11S370GN1210000	No	F ⁵	ED7	83 x 64 x 37	750	\$62,146	V1
400	477	300	370	EDP11S477GN1210000	No	F ⁵	ED7	83 x 64 x 37	775	\$76,618	V1	
450	515	400	477	EDP11S515GN1210000	No	G ⁵	ED9	83 x 95 x 37	1100	\$88,056	V1	
500	601	450	515	EDP11S601GN1210000	No	G ⁵	ED9	83 x 95 x 37	1120	\$99,447	V1	
600	720	500	560	EDP11S720GN1210000	No	G ⁶	ED9	83 x 95 x 37	1150	\$119,944	V1	

Notes:

- 1) CT = Constant Torque, 150% overload / 60 sec.; VT = Variable Torque (Quadratic Load), 110% overload / 60 sec.
 - 2) "HP" rating based on "average FLA values". Use as a guide only.
 - 3) Motor FLA may vary with speed and manufacturer. ALWAYS compare motor FLA to Nominal AMPS of drive.
 - 4) ED1 - ED5 enclosures are non-ventilated and wall-mounted; ED6 - ED9 enclosures are ventilated and floor mounted.
 - 5) Maximum 45°C ambient temperature without derating
 - 6) Maximum 40°C ambient temperature without derating
 - 7) Dimensions and weights are for estimating purposes only. Only use "AS BUILT" drawings for construction.
- For other technical data please refer to WEG product manual.

Variable Frequency Drives and Enclosed Motor Controls



Enclosed VFD Panel - NEMA 12 Enclosure (no By-Pass) with HOA / Pot / TB

Motor Voltage	ND / VT1		HD / CT1		Catalog Number	Braking Transistor	Drive Frame Size	Enclosure Frame Size ⁴	Dimensions (in.) HxWxD ⁷	Approx. Weight (lbs.) ⁷	List Price	Multiplier
	Motor HP ²	Drive Amps ³	Motor HP ²	Drive Amps ³								
230 Vac	Input Power Supply: Three-Phase 220-240 Vac with Dynamic Braking Transistor											
	2	7.0	1 1/2	5.5	EDP11S007DN1201000	Yes	A	ED1	30 x 24 x 14	36	\$7,453	V1
	3	10	2	8.0	EDP11S010DN1201000	Yes	A	ED1	30 x 24 x 14	36	\$7,519	V1
	5	13	3	11	EDP11S013DN1201000	Yes	A	ED1	30 x 24 x 14	41	\$7,618	V1
	5	16	5	13	EDP11S016DN1201000	Yes	A	ED1	30 x 24 x 14	42	\$7,886	V1
	7 1/2	24	7 1/2	20	EDP11S024DN1201000	Yes	B	ED1	30 x 24 x 14	56	\$8,427	V1
	10	28	10	24	EDP11S028DN1201000	Yes	B	ED1	30 x 24 x 14	56	\$9,171	V1
	10	33.5	10	28	EDP11S033DN1201000	Yes	B	ED1	30 x 24 x 14	56	\$9,871	V1
	15	45	15	36	EDP11S045DN1201000	Yes	C	ED2	36 x 30 x 14	88	\$10,977	V1
	20	54	20	45	EDP11S054DN1201000	Yes	C	ED2	36 x 30 x 14	90	\$12,254	V1
	25	70	20	56	EDP11S070DN1201000	Yes	C	ED2	36 x 30 x 14	100	\$12,925	V1
	30	86	25	70	EDP11S086DN1201000	Yes	D	ED3	48 x 30 x 17.5	230	\$15,084	V1
	40	105	30	86	EDP11S105DN1201000	Yes	D	ED3	48 x 30 x 17.5	240	\$17,927	V1
	50	142	40	115	EDP11S142DN1201000	No	E ⁵	ED4	72 x 36 x 18	300	\$20,556	V1
	60	180	50	142	EDP11S180DN1201000	No	E ⁵	ED4	72 x 36 x 18	300	\$25,879	V1
75	211	60	180	EDP11S211DN1201000	No	E ⁵	ED4	72 x 36 x 18	300	\$29,089	V1	
460 Vac	Input Power Supply: Three-Phase 460-480 Vac with Dynamic Braking Transistor											
	2	3.6	2	3.6	EDP11S003GN1201000	Yes	A	ED1	30 x 24 x 14	36	\$7,273	V1
	3	5.0	3	5.0	EDP11S005GN1201000	Yes	A	ED1	30 x 24 x 14	36	\$7,389	V1
	5	7.0	3	5.5	EDP11S007GN1201000	Yes	A	ED1	30 x 24 x 14	41	\$7,453	V1
	7 1/2	10	5	10	EDP11S010GN1201000	Yes	A	ED1	30 x 24 x 14	42	\$7,519	V1
	10	13.5	7 1/2	11	EDP11S013GN1201000	Yes	A	ED1	30 x 24 x 14	42	\$7,618	V1
	10	17	10	13.5	EDP11S017GN1201000	Yes	B	ED1	30 x 24 x 14	56	\$8,032	V1
	15	24	10	19	EDP11S024GN1201000	Yes	B	ED1	30 x 24 x 14	56	\$8,584	V1
	20	31	15	25	EDP11S031GN1201000	Yes	B	ED1	30 x 24 x 14	56	\$9,343	V1
	25	38	20	33	EDP11S038GN1201000	Yes	C	ED2	36 x 30 x 14	90	\$10,056	V1
	30	45	25	38	EDP11S045GN1201000	Yes	C	ED2	36 x 30 x 14	104	\$11,185	V1
	40	58.5	30	47	EDP11S058GN1201000	Yes	C	ED2	36 x 30 x 14	110	\$12,789	V1
	50/60	70.5	40	61	EDP11S070GN1201000	Yes	D	ED3	48 x 30 x 17.5	240	\$13,492	V1
	75	88	50	73	EDP11S088GN1201000	Yes	D	ED3	48 x 30 x 17.5	245	\$15,751	V1
	75	105	75	88	EDP11S105GN1201000	No	E ⁵	ED4	48 x 30 x 17.5	300	\$18,727	V1
	100/125	142	75	115	EDP11S142GN1201000	No	E ⁵	ED4	48 x 30 x 17.5	300	\$21,478	V1
	150	180	100	142	EDP11S180GN1201000	No	E ⁵	ED4	48 x 30 x 17.5	300	\$27,049	V1
	175	211	125	180	EDP11S211GN1201000	No	E ⁵	ED4	48 x 30 x 17.5	300	\$30,408	V1
	200	242	150	211	EDP11S242GN1201000	No	F ⁵	ED6	83 x 64 x 37	700	\$41,613	V1
	250	312	200	242	EDP11S312GN1201000	No	F ⁵	ED6	83 x 64 x 37	720	\$45,972	V1
300	370	250	312	EDP11S370GN1201000	No	F ⁵	ED6	83 x 64 x 37	750	\$48,601	V1	
400	477	300	370	EDP11S477GN1201000	No	F ⁵	ED6	83 x 64 x 37	775	\$55,443	V1	
450	515	400	477	EDP11S515GN1201000	No	G ⁵	ED8	83 x 95 x 37	1100	\$66,881	V1	
500	601	450	515	EDP11S601GN1201000	No	G ⁵	ED8	83 x 95 x 37	1120	\$72,733	V1	
600	720	500	560	EDP11S720GN1201000	No	G ⁶	ED8	83 x 95 x 37	1150	\$89,414	V1	

Notes:

- 1) CT = Constant Torque, 150% overload / 60 sec.; VT = Variable Torque (Quadratic Load), 110% overload / 60 sec.
- 2) "HP" rating based on "average FLA values". Use as a guide only.
- 3) Motor FLA may vary with speed and manufacturer. ALWAYS compare motor FLA to Nominal AMPS of drive.
- 4) ED1 - ED5 enclosures are non-ventilated and wall-mounted; ED6 - ED9 enclosures are ventilated and floor mounted.
- 5) Maximum 45°C ambient temperature without derating
- 6) Maximum 40°C ambient temperature without derating
- 7) Dimensions and weights are for estimating purposes only. Only use "AS BUILT" drawings for construction. For other technical data please refer to WEG product manual.

EDP11 - Enclosed VFD Panel

Enclosed VFD Panel - NEMA 12 Enclosure with By-Pass and HOA / Pot / TB

Motor Voltage	ND / VT1		HD / CT1		Catalog Number	Braking Transistor	Drive Frame Size	Enclosure Frame Size ⁴	Dimensions (in.) HxWxD ⁷	Approx. Weight (lbs.) ⁷	List Price	Multiplier
	Motor HP ²	Drive Amps ³	Motor HP ²	Drive Amps ³								
230 Vac	Input Power Supply: Three-Phase 220-240 Vac with Dynamic Braking Transistor											
	2	7.0	1 1/2	5.5	EDP11S007DN1211000	Yes	A	ED2	30 x 24 x 14	36	\$8,963	V1
	3	10	2	8.0	EDP11S010DN1211000	Yes	A	ED2	30 x 24 x 14	36	\$9,039	V1
	5	13	3	11	EDP11S013DN1211000	Yes	A	ED2	30 x 24 x 14	41	\$9,138	V1
	5	16	5	13	EDP11S016DN1211000	Yes	A	ED2	30 x 24 x 14	42	\$9,406	V1
	7 1/2	24	7 1/2	20	EDP11S024DN1211000	Yes	B	ED2	30 x 24 x 14	56	\$10,025	V1
	10	28	10	24	EDP11S028DN1211000	Yes	B	ED2	30 x 24 x 14	56	\$10,963	V1
	10	33.5	10	28	EDP11S033DN1211000	Yes	B	ED2	30 x 24 x 14	56	\$11,774	V1
	15	45	15	36	EDP11S045DN1211000	Yes	C	ED3	36 x 30 x 14	88	\$13,079	V1
	20	54	20	45	EDP11S054DN1211000	Yes	C	ED3	36 x 30 x 14	90	\$14,501	V1
	25	70	20	56	EDP11S070DN1211000	Yes	C	ED3	36 x 30 x 14	100	\$15,620	V1
	30	86	25	70	EDP11S086DN1211000	Yes	D	ED4	48 x 30 x 17.5	230	\$17,779	V1
	40	105	30	86	EDP11S105DN1211000	Yes	D	ED4	48 x 30 x 17.5	240	\$20,815	V1
	50	142	40	115	EDP11S142DN1211000	No	E ⁵	ED5	72 x 36 x 18	300	\$25,541	V1
	60	180	50	142	EDP11S180DN1211000	No	E ⁵	ED5	72 x 36 x 18	300	\$31,874	V1
75	211	60	180	EDP11S211DN1211000	No	E ⁵	ED5	72 x 36 x 18	300	\$36,414	V1	
460 Vac	Input Power Supply: Three-Phase 460-480 Vac with Dynamic Braking Transistor											
	2	3.6	2	3.6	EDP11S003GN1211000	Yes	A	ED2	30 x 24 x 14	36	\$8,783	V1
	3	5.0	3	5.0	EDP11S005GN1211000	Yes	A	ED2	30 x 24 x 14	36	\$8,899	V1
	5	7.0	3	5.5	EDP11S007GN1211000	Yes	A	ED2	30 x 24 x 14	41	\$8,963	V1
	7 1/2	10	5	10	EDP11S010GN1211000	Yes	A	ED2	30 x 24 x 14	42	\$9,039	V1
	10	13.5	7 1/2	11	EDP11S013GN1211000	Yes	A	ED2	30 x 24 x 14	42	\$9,138	V1
	10	17	10	13.5	EDP11S017GN1211000	Yes	B	ED2	30 x 24 x 14	56	\$9,630	V1
	15	24	10	19	EDP11S024GN1211000	Yes	B	ED2	30 x 24 x 14	56	\$10,376	V1
	20	31	15	25	EDP11S031GN1211000	Yes	B	ED2	30 x 24 x 14	56	\$11,246	V1
	25	38	20	33	EDP11S038GN1211000	Yes	C	ED3	36 x 30 x 14	90	\$12,158	V1
	30	45	25	38	EDP11S045GN1211000	Yes	C	ED3	36 x 30 x 14	104	\$13,432	V1
	40	58.5	30	47	EDP11S058GN1211000	Yes	C	ED3	36 x 30 x 14	110	\$15,484	V1
	50/60	70.5	40	61	EDP11S070GN1211000	Yes	D	ED4	48 x 30 x 17.5	240	\$16,187	V1
	75	88	50	73	EDP11S088GN1211000	Yes	D	ED4	48 x 30 x 17.5	245	\$18,639	V1
	75	105	75	88	EDP11S105GN1211000	No	E ⁵	ED5	72 x 36 x 18	300	\$22,071	V1
	100/125	142	75	115	EDP11S142GN1211000	No	E ⁵	ED5	72 x 36 x 18	300	\$26,463	V1
	150	180	100	142	EDP11S180GN1211000	No	E ⁵	ED5	72 x 36 x 18	300	\$33,044	V1
	175	211	125	180	EDP11S211GN1211000	No	E ⁵	ED5	72 x 36 x 18	300	\$37,733	V1
	200	242	150	211	EDP11S242GN1211000	No	F ⁵	ED7	83 x 64 x 37	700	\$54,097	V1
	250	312	200	242	EDP11S312GN1211000	No	F ⁵	ED7	83 x 64 x 37	720	\$60,115	V1
	300	370	250	312	EDP11S370GN1211000	No	F ⁵	ED7	83 x 64 x 37	750	\$63,004	V1
400	477	300	370	EDP11S477GN1211000	No	F ⁵	ED7	83 x 64 x 37	775	\$77,476	V1	
450	515	400	477	EDP11S515GN1211000	No	G ⁵	ED9	83 x 95 x 37	1100	\$88,914	V1	
500	601	450	515	EDP11S601GN1211000	No	G ⁵	ED9	83 x 95 x 37	1120	\$100,305	V1	
600	720	500	560	EDP11S720GN1211000	No	G ⁶	ED9	83 x 95 x 37	1150	\$120,802	V1	

Notes:
 1) CT = Constant Torque, 150% overload / 60 sec.; VT = Variable Torque (Quadratic Load), 110% overload / 60 sec.
 2) "HP" rating based on "average FLA values". Use as a guide only.
 3) Motor FLA may vary with speed and manufacturer. ALWAYS compare motor FLA to Nominal AMPS of drive.

4) ED1 - ED5 enclosures are non-ventilated and wall-mounted; ED6 - ED9 enclosures are ventilated and floor mounted.
 5) Maximum 45°C ambient temperature without derating
 6) Maximum 40°C ambient temperature without derating
 7) Dimensions and weights are for estimating purposes only. Only use "AS BUILT" drawings for construction. For other technical data please refer to WEG product manual.



Enclosed VFD Panel - NEMA 3R Enclosure (no By-Pass)

Motor Voltage	ND / VT1		HD / CT1		Catalog Number	Braking Transistor	Drive Frame Size	Enclosure Frame Size ⁴	Dimensions (in.) HxWxD ⁷	Approx. Weight (lbs.) ⁷	List Price	Multiplier
	Motor HP ²	Drive Amps ³	Motor HP ²	Drive Amps ³								
230 Vac	Input Power Supply: Three-Phase 220-240 Vac with Dynamic Braking Transistor											
	2	7.0	1 1/2	5.5	EDP11S007DN3R	Yes	A ⁵	ED1	26.5 x 20 x 11.5	36	\$8,521	V1
	3	10	2	8.0	EDP11S010DN3R	Yes	A ⁵	ED1	26.5 x 20 x 11.5	36	\$8,587	V1
	5	13	3	11	EDP11S013DN3R	Yes	A ⁵	ED1	26.5 x 20 x 11.5	41	\$8,686	V1
	5	16	5	13	EDP11S016DN3R	Yes	A ⁵	ED1	26.5 x 20 x 11.5	42	\$8,918	V1
	7 1/2	24	7 1/2	20	EDP11S024DN3R	Yes	B ⁵	ED1	26.5 x 20 x 11.5	56	\$9,459	V1
	10	28	10	24	EDP11S028DN3R	Yes	B ⁵	ED1	26.5 x 20 x 11.5	56	\$10,202	V1
	10	33.5	10	28	EDP11S033DN3R	Yes	B ⁵	ED1	26.5 x 20 x 11.5	56	\$10,902	V1
	15	45	15	36	EDP11S045DN3R	Yes	C ⁵	ED2	32.5 x 24 x 14	88	\$12,122	V1
	20	54	20	45	EDP11S054DN3R	Yes	C ⁵	ED2	32.5 x 24 x 14	90	\$13,400	V1
	25	70	20	56	EDP11S070DN3R	Yes	C ⁵	ED2	32.5 x 24 x 14	100	\$14,162	V1
	30	86	25	70	EDP11S086DN3R	Yes	D ⁵	ED3	38.5 x 30 x 14	230	\$16,320	V1
	40	105	30	86	EDP11S105DN3R	Yes	D ⁵	ED3	38.5 x 30 x 14	240	\$19,338	V1
	50	142	40	115	EDP11S142DN3R	No	E ⁶	ED4	50.5 x 30 x 17.5	300	\$21,967	V1
60	180	50	142	EDP11S180DN3R	No	E ⁶	ED4	50.5 x 30 x 17.5	300	\$27,290	V1	
75	211	60	180	EDP11S211DN3R	No	E ⁶	ED4	50.5 x 30 x 17.5	300	\$30,499	V1	
460 Vac	Input Power Supply: Three-Phase 460-480 Vac with Dynamic Braking Transistor											
	2	3.6	2	3.6	EDP11S003GN3R	Yes	A ⁵	ED1	26.5 x 20 x 11.5	36	\$8,341	V1
	3	5.0	3	5.0	EDP11S005GN3R	Yes	A ⁵	ED1	26.5 x 20 x 11.5	36	\$8,457	V1
	5	7.0	3	5.5	EDP11S007GN3R	Yes	A ⁵	ED1	26.5 x 20 x 11.5	41	\$8,521	V1
	7 1/2	10	5	10	EDP11S010GN3R	Yes	A ⁵	ED1	26.5 x 20 x 11.5	42	\$8,587	V1
	10	13.5	7 1/2	11	EDP11S013GN3R	Yes	A ⁵	ED1	26.5 x 20 x 11.5	42	\$8,686	V1
	10	17	10	13.5	EDP11S017GN3R	Yes	B ⁵	ED1	26.5 x 20 x 11.5	56	\$9,100	V1
	15	24	10	19	EDP11S024GN3R	Yes	B ⁵	ED1	26.5 x 20 x 11.5	56	\$9,652	V1
	20	31	15	25	EDP11S031GN3R	Yes	B ⁵	ED1	26.5 x 20 x 11.5	56	\$10,411	V1
	25	38	20	33	EDP11S038GN3R	Yes	C ⁵	ED2	32.5 x 24 x 14	90	\$11,125	V1
	30	45	25	38	EDP11S045GN3R	Yes	C ⁵	ED2	32.5 x 24 x 14	104	\$12,369	V1
	40	58.5	30	47	EDP11S058GN3R	Yes	C ⁵	ED2	32.5 x 24 x 14	110	\$13,673	V1
	50/60	70.5	40	61	EDP11S070GN3R	Yes	D ⁵	ED3	38.5 x 30 x 14	240	\$14,451	V1
	75	88	50	73	EDP11S088GN3R	Yes	D ⁵	ED3	38.5 x 30 x 14	245	\$16,653	V1
	75	105	75	88	EDP11S105GN3R	No	E ⁶	ED4	50.5 x 30 x 17.5	300	\$19,733	V1
	100/125	142	75	115	EDP11S142GN3R	No	E ⁶	ED4	50.5 x 30 x 17.5	300	\$22,415	V1
	150	180	100	142	EDP11S180GN3R	No	E ⁶	ED4	50.5 x 30 x 17.5	300	\$27,847	V1
	175	211	125	180	EDP11S211GN3R	No	E ⁶	ED4	50.5 x 30 x 17.5	300	\$31,122	V1
	200	242	150	211	EDP11S242GN3R	No	F ⁶	ED6	83 x 32 x 41	700	\$45,693	V1
	250	312	200	242	EDP11S312GN3R	No	F ⁶	ED6	83 x 32 x 41	720	\$50,053	V1
300	370	250	312	EDP11S370GN3R	No	F ⁶	ED6	83 x 32 x 41	750	\$52,682	V1	
400	477	300	370	EDP11S477GN3R	No	F ⁶	ED6	83 x 32 x 41	775	\$59,523	V1	
450	515	400	477	EDP11S515GN3R	No	G ⁶	ED8	83 x 56 x 37	1100	\$71,976	V1	
500	601	450	515	EDP11S601GN3R	No	G ⁶	ED8	83 x 56 x 37	1120	\$77,828	V1	
600	720	500	560	EDP11S720GN3R	No	G ⁷	ED8	83 x 56 x 37	1150	\$94,509	V1	

Variable Frequency Drives and Enclosed Motor Controls

Notes:
 1) CT = Constant Torque, 150% overload / 60 sec.; VT = Variable Torque (Quadratic Load), 110% overload / 60 sec.
 2) "HP" rating based on "average FLA values". Use as a guide only.
 3) Motor FLA may vary with speed and manufacturer. ALWAYS compare motor FLA to Nominal AMPS of drive.
 4) ED1 - ED4 enclosures are non-ventilated and wall-mounted; ED6 - ED9 enclosures are ventilated and floor mounted.
 5) Maximum 45°C ambient temperature without derating
 6) Maximum 40°C ambient temperature without derating
 7) Maximum 38°C ambient temperature without derating
 8) Dimensions and weights are for estimating purposes only. Only use "AS BUILT" drawings for construction.
 For other technical data please refer to WEG product manual.

EDP11 - ENGINEERED DRIVE PANEL

Enclosed VFD Panel - NEMA 3R Enclosure with By-Pass

Motor Voltage	ND / VT1		HD / CT1		Catalog Number	Braking Transistor	Drive Frame Size	Enclosure Frame Size 4	Dimensions (in.) HxWxD 7	Approx. Weight (lbs.) 7	List Price	Multiplier
	Motor HP 2	Drive Amps 3	Motor HP 2	Drive Amps 3								
230 Vac	Input Power Supply: Three-Phase 220-240 Vac with Dynamic Braking Transistor											
	2	7.0	1 1/2	5.5	EDP11S007DN3R10000	Yes	A 5	ED2	26.5 x 20 x 11.5	36	\$10,031	V1
	3	10	2	8.0	EDP11S010DN3R10000	Yes	A 5	ED2	26.5 x 20 x 11.5	36	\$10,107	V1
	5	13	3	11	EDP11S013DN3R10000	Yes	A 5	ED2	26.5 x 20 x 11.5	41	\$10,206	V1
	5	16	5	13	EDP11S016DN3R10000	Yes	A 5	ED2	26.5 x 20 x 11.5	42	\$10,438	V1
	7 1/2	24	7 1/2	20	EDP11S024DN3R10000	Yes	B 5	ED2	26.5 x 20 x 11.5	56	\$11,057	V1
	10	28	10	24	EDP11S028DN3R10000	Yes	B 5	ED2	26.5 x 20 x 11.5	56	\$11,994	V1
	10	33.5	10	28	EDP11S033DN3R10000	Yes	B 5	ED2	26.5 x 20 x 11.5	56	\$12,805	V1
	15	45	15	36	EDP11S045DN3R10000	Yes	C 5	ED3	32.5 x 24 x 14	88	\$14,224	V1
	20	54	20	45	EDP11S054DN3R10000	Yes	C 5	ED3	32.5 x 24 x 14	90	\$15,647	V1
	25	70	20	56	EDP11S070DN3R10000	Yes	C 5	ED3	32.5 x 24 x 14	100	\$16,857	V1
	30	86	25	70	EDP11S086DN3R10000	Yes	D 5	ED4	38.5 x 30 x 14	230	\$19,015	V1
	40	105	30	86	EDP11S105DN3R10000	Yes	D 5	ED4	38.5 x 30 x 14	240	\$22,226	V1
	50	142	40	115	EDP11S142DN3R10000	No	E 6	ED5	50.5 x 30 x 17.5	300	\$26,952	V1
	60	180	50	142	EDP11S180DN3R10000	No	E 6	ED5	50.5 x 30 x 17.5	300	\$33,285	V1
75	211	60	180	EDP11S211DN3R10000	No	E 6	ED5	50.5 x 30 x 17.5	300	\$37,824	V1	
460 Vac	Input Power Supply: Three-Phase 460-480 Vac with Dynamic Braking Transistor											
	2	3.6	2	3.6	EDP11S003GN3R10000	Yes	A 5	ED2	26.5 x 20 x 11.5	36	\$9,851	V1
	3	5.0	3	5.0	EDP11S005GN3R10000	Yes	A 5	ED2	26.5 x 20 x 11.5	36	\$9,967	V1
	5	7.0	3	5.5	EDP11S007GN3R10000	Yes	A 5	ED2	26.5 x 20 x 11.5	41	\$10,031	V1
	7 1/2	10	5	10	EDP11S010GN3R10000	Yes	A 5	ED2	26.5 x 20 x 11.5	42	\$10,107	V1
	10	13.5	7 1/2	11	EDP11S013GN3R10000	Yes	A 5	ED2	26.5 x 20 x 11.5	42	\$10,206	V1
	10	17	10	13.5	EDP11S017GN3R10000	Yes	B 5	ED2	26.5 x 20 x 11.5	56	\$10,698	V1
	15	24	10	19	EDP11S024GN3R10000	Yes	B 5	ED2	26.5 x 20 x 11.5	56	\$11,444	V1
	20	31	15	25	EDP11S031GN3R10000	Yes	B 5	ED2	26.5 x 20 x 11.5	56	\$12,314	V1
	25	38	20	33	EDP11S038GN3R10000	Yes	C 5	ED3	32.5 x 24 x 14	90	\$13,227	V1
	30	45	25	38	EDP11S045GN3R10000	Yes	C 5	ED3	32.5 x 24 x 14	104	\$14,616	V1
	40	58.5	30	47	EDP11S058GN3R10000	Yes	C 5	ED3	32.5 x 24 x 14	110	\$16,368	V1
	50/60	70.5	40	61	EDP11S070GN3R10000	Yes	D 5	ED4	38.5 x 30 x 14	240	\$17,146	V1
	75	88	50	73	EDP11S088GN3R10000	Yes	D 5	ED4	38.5 x 30 x 14	245	\$19,541	V1
	75	105	75	88	EDP11S105GN3R10000	No	E 6	ED5	50.5 x 30 x 17.5	300	\$23,077	V1
	100/125	142	75	115	EDP11S142GN3R10000	No	E 6	ED5	50.5 x 30 x 17.5	300	\$27,400	V1
	150	180	100	142	EDP11S180GN3R10000	No	E 6	ED5	50.5 x 30 x 17.5	300	\$33,842	V1
	175	211	125	180	EDP11S211GN3R10000	No	E 6	ED5	50.5 x 30 x 17.5	300	\$38,447	V1
	200	242	150	211	EDP11S242GN3R10000	No	F 6	ED7	83 x 32 x 41	700	\$58,272	V1
	250	312	200	242	EDP11S312GN3R10000	No	F 6	ED7	83 x 32 x 41	720	\$64,196	V1
	300	370	250	312	EDP11S370GN3R10000	No	F 6	ED7	83 x 32 x 41	750	\$67,085	V1
400	477	300	370	EDP11S477GN3R10000	No	F 6	ED7	83 x 32 x 41	775	\$81,556	V1	
450	515	400	477	EDP11S515GN3R10000	No	G 6	ED9	83 x 56 x 37	1100	\$94,009	V1	
500	601	450	515	EDP11S601GN3R10000	No	G 6	ED9	83 x 56 x 37	1120	\$105,400	V1	
600	720	500	560	EDP11S720GN3R10000	No	G 7	ED9	83 x 56 x 37	1150	\$125,897	V1	

Notes:

- 1) CT = Constant Torque, 150% overload / 60 sec.; VT = Variable Torque (Quadratic Load), 110% overload / 60 sec.
- 2) "HP" rating based on "average FLA values". Use as a guide only.
- 3) Motor FLA may vary with speed and manufacturer. ALWAYS compare motor FLA to Nominal AMPS of drive.
- 4) ED1 - ED4 enclosures are non-ventilated and wall-mounted; ED6 - ED9 enclosures are ventilated and floor mounted.
- 5) Maximum 45°C ambient temperature without derating
- 6) Maximum 40°C ambient temperature without derating
- 7) Maximum 38°C ambient temperature without derating
- 8) Dimensions and weights are for estimating purposes only. Only use "AS BUILT" drawings for construction. For other technical data please refer to WEG product manual.

Variable Frequency Drives and Enclosed Motor Controls



Enclosed VFD Panel - NEMA 3R Enclosure (no By-Pass) with HOA / Pot / TB

Motor Voltage	ND / VT1		HD / CT1		Catalog Number	Braking Transistor	Drive Frame Size	Enclosure Frame Size ⁴	Dimensions (in.) HxWxD ⁷	Approx. Weight (lbs.) ⁷	List Price	Multiplier
	Motor HP ²	Drive Amps ³	Motor HP ²	Drive Amps ³								
230 Vac	Input Power Supply: Three-Phase 220-240 Vac with Dynamic Braking Transistor											
	2	7.0	1 1/2	5.5	EDP11S007DN3R01000	Yes	A ⁵	ED1	26.5 x 20 x 11.5	36	\$9,284	V1
	3	10	2	8.0	EDP11S010DN3R01000	Yes	A ⁵	ED1	26.5 x 20 x 11.5	36	\$9,350	V1
	5	13	3	11	EDP11S013DN3R01000	Yes	A ⁵	ED1	26.5 x 20 x 11.5	41	\$9,449	V1
	5	16	5	13	EDP11S016DN3R01000	Yes	A ⁵	ED1	26.5 x 20 x 11.5	42	\$9,681	V1
	7 1/2	24	7 1/2	20	EDP11S024DN3R01000	Yes	B ⁵	ED1	26.5 x 20 x 11.5	56	\$10,222	V1
	10	28	10	24	EDP11S028DN3R01000	Yes	B ⁵	ED1	26.5 x 20 x 11.5	56	\$10,965	V1
	10	33.5	10	28	EDP11S033DN3R01000	Yes	B ⁵	ED1	26.5 x 20 x 11.5	56	\$11,665	V1
	15	45	15	36	EDP11S045DN3R01000	Yes	C ⁵	ED2	32.5 x 24 x 14	88	\$12,885	V1
	20	54	20	45	EDP11S054DN3R01000	Yes	C ⁵	ED2	32.5 x 24 x 14	90	\$14,163	V1
	25	70	20	56	EDP11S070DN3R01000	Yes	C ⁵	ED2	32.5 x 24 x 14	100	\$14,925	V1
	30	86	25	70	EDP11S086DN3R01000	Yes	D ⁵	ED3	38.5 x 30 x 14	230	\$17,083	V1
	40	105	30	86	EDP11S105DN3R01000	Yes	D ⁵	ED3	38.5 x 30 x 14	240	\$20,101	V1
	50	142	40	115	EDP11S142DN3R01000	No	E ⁶	ED4	50.5 x 30 x 17.5	300	\$22,730	V1
	60	180	50	142	EDP11S180DN3R01000	No	E ⁶	ED4	50.5 x 30 x 17.5	300	\$28,053	V1
75	211	60	180	EDP11S211DN3R01000	No	E ⁶	ED4	50.5 x 30 x 17.5	300	\$31,262	V1	
460 Vac	Input Power Supply: Three-Phase 460-480 Vac with Dynamic Braking Transistor											
	2	3.6	2	3.6	EDP11S003GN3R01000	Yes	A ⁵	ED1	26.5 x 20 x 11.5	36	\$9,104	V1
	3	5.0	3	5.0	EDP11S005GN3R01000	Yes	A ⁵	ED1	26.5 x 20 x 11.5	36	\$9,220	V1
	5	7.0	3	5.5	EDP11S007GN3R01000	Yes	A ⁵	ED1	26.5 x 20 x 11.5	41	\$9,284	V1
	7 1/2	10	5	10	EDP11S010GN3R01000	Yes	A ⁵	ED1	26.5 x 20 x 11.5	42	\$9,350	V1
	10	13.5	7 1/2	11	EDP11S013GN3R01000	Yes	A ⁵	ED1	26.5 x 20 x 11.5	42	\$9,449	V1
	10	17	10	13.5	EDP11S017GN3R01000	Yes	B ⁵	ED1	26.5 x 20 x 11.5	56	\$9,863	V1
	15	24	10	19	EDP11S024GN3R01000	Yes	B ⁵	ED1	26.5 x 20 x 11.5	56	\$10,415	V1
	20	31	15	25	EDP11S031GN3R01000	Yes	B ⁵	ED1	26.5 x 20 x 11.5	56	\$11,174	V1
	25	38	20	33	EDP11S038GN3R01000	Yes	C ⁵	ED2	32.5 x 24 x 14	90	\$11,888	V1
	30	45	25	38	EDP11S045GN3R01000	Yes	C ⁵	ED2	32.5 x 24 x 14	104	\$13,132	V1
	40	58.5	30	47	EDP11S058GN3R01000	Yes	C ⁵	ED2	32.5 x 24 x 14	110	\$14,436	V1
	50/60	70.5	40	61	EDP11S070GN3R01000	Yes	D ⁵	ED3	38.5 x 30 x 14	240	\$15,214	V1
	75	88	50	73	EDP11S088GN3R01000	Yes	D ⁵	ED3	38.5 x 30 x 14	245	\$17,416	V1
	75	105	75	88	EDP11S105GN3R01000	No	E ⁶	ED4	50.5 x 30 x 17.5	300	\$20,496	V1
	100/125	142	75	115	EDP11S142GN3R01000	No	E ⁶	ED4	50.5 x 30 x 17.5	300	\$23,178	V1
	150	180	100	142	EDP11S180GN3R01000	No	E ⁶	ED4	50.5 x 30 x 17.5	300	\$28,610	V1
	175	211	125	180	EDP11S211GN3R01000	No	E ⁶	ED4	50.5 x 30 x 17.5	300	\$31,885	V1
	200	242	150	211	EDP11S242GN3R01000	No	F ⁶	ED6	83 x 32 x 41	700	\$46,456	V1
	250	312	200	242	EDP11S312GN3R01000	No	F ⁶	ED6	83 x 32 x 41	720	\$50,911	V1
	300	370	250	312	EDP11S370GN3R01000	No	F ⁶	ED6	83 x 32 x 41	750	\$53,540	V1
	400	477	300	370	EDP11S477GN3R01000	No	F ⁶	ED6	83 x 32 x 41	775	\$60,381	V1
450	515	400	477	EDP11S515GN3R01000	No	G ⁶	ED8	83 x 56 x 37	1100	\$72,834	V1	
500	601	450	515	EDP11S601GN3R01000	No	G ⁶	ED8	83 x 56 x 37	1120	\$78,686	V1	
600	720	500	560	EDP11S720GN3R01000	No	G ⁷	ED8	83 x 56 x 37	1150	\$95,367	V1	

Notes:

- 1) CT = Constant Torque, 150% overload / 60 sec.; VT = Variable Torque (Quadratic Load), 110% overload / 60 sec.
- 2) "HP" rating based on "average FLA values". Use as a guide only.
- 3) Motor FLA may vary with speed and manufacturer. ALWAYS compare motor FLA to Nominal AMPS of drive.
- 4) ED1 - ED4 enclosures are non-ventilated and wall-mounted; ED6 - ED9 enclosures are ventilated and floor mounted.
- 5) Maximum 45°C ambient temperature without derating
- 6) Maximum 40°C ambient temperature without derating
- 7) Maximum 38°C ambient temperature without derating
- 8) Dimensions and weights are for estimating purposes only. Only use "AS BUILT" drawings for construction. For other technical data please refer to WEG product manual.

EDP11 - ENGINEERED DRIVE PANEL

Enclosed VFD Panel - NEMA 3R Enclosure with By-Pass and HOA / Pot / TB

Motor Voltage	ND / VT ¹		HD / CT ¹		Catalog Number	Braking Transistor	Drive Frame Size	Enclosure Frame Size ⁴	Dimensions (in.) HxWxD ⁷	Approx. Weight (lbs.) ⁷	List Price	Multiplier
	Motor HP ²	Drive Amps ³	Motor HP ²	Drive Amps ³								
Input Power Supply: Three-Phase 220-240 Vac with Dynamic Braking Transistor												
230 Vac	2	7.0	1 1/2	5.5	EDP11S007DN3R11000	Yes	A ⁵	ED2	26.5 x 20 x 11.5	36	\$10,794	V1
	3	10	2	8.0	EDP11S010DN3R11000	Yes	A ⁵	ED2	26.5 x 20 x 11.5	36	\$10,870	V1
	5	13	3	11	EDP11S013DN3R11000	Yes	A ⁵	ED2	26.5 x 20 x 11.5	41	\$10,969	V1
	5	16	5	13	EDP11S016DN3R11000	Yes	A ⁵	ED2	26.5 x 20 x 11.5	42	\$11,201	V1
	7 1/2	24	7 1/2	20	EDP11S024DN3R11000	Yes	B ⁵	ED2	26.5 x 20 x 11.5	56	\$11,820	V1
	10	28	10	24	EDP11S028DN3R11000	Yes	B ⁵	ED2	26.5 x 20 x 11.5	56	\$12,757	V1
	10	33.5	10	28	EDP11S033DN3R11000	Yes	B ⁵	ED2	26.5 x 20 x 11.5	56	\$13,568	V1
	15	45	15	36	EDP11S045DN3R11000	Yes	C ⁵	ED3	32.5 x 24 x 14	88	\$14,987	V1
	20	54	20	45	EDP11S054DN3R11000	Yes	C ⁵	ED3	32.5 x 24 x 14	90	\$16,410	V1
	25	70	20	56	EDP11S070DN3R11000	Yes	C ⁵	ED3	32.5 x 24 x 14	100	\$17,620	V1
	30	86	25	70	EDP11S086DN3R11000	Yes	D ⁵	ED4	38.5 x 30 x 14	230	\$19,778	V1
	40	105	30	86	EDP11S105DN3R11000	Yes	D ⁵	ED4	38.5 x 30 x 14	240	\$22,989	V1
	50	142	40	115	EDP11S142DN3R11000	No	E ⁶	ED5	50.5 x 30 x 17.5	300	\$27,715	V1
	60	180	50	142	EDP11S180DN3R11000	No	E ⁶	ED5	50.5 x 30 x 17.5	300	\$34,048	V1
75	211	60	180	EDP11S211DN3R11000	No	E ⁶	ED5	50.5 x 30 x 17.5	300	\$38,587	V1	
Input Power Supply: Three-Phase 460-480 Vac with Dynamic Braking Transistor												
460 Vac	2	3.6	2	3.6	EDP11S003GN3R11000	Yes	A ⁵	ED2	26.5 x 20 x 11.5	36	\$10,614	V1
	3	5.0	3	5.0	EDP11S005GN3R11000	Yes	A ⁵	ED2	26.5 x 20 x 11.5	36	\$10,730	V1
	5	7.0	3	5.5	EDP11S007GN3R11000	Yes	A ⁵	ED2	26.5 x 20 x 11.5	41	\$10,794	V1
	7 1/2	10	5	10	EDP11S010GN3R11000	Yes	A ⁵	ED2	26.5 x 20 x 11.5	42	\$10,870	V1
	10	13.5	7 1/2	11	EDP11S013GN3R11000	Yes	A ⁵	ED2	26.5 x 20 x 11.5	42	\$10,969	V1
	10	17	10	13.5	EDP11S017GN3R11000	Yes	B ⁵	ED2	26.5 x 20 x 11.5	56	\$11,461	V1
	15	24	10	19	EDP11S024GN3R11000	Yes	B ⁵	ED2	26.5 x 20 x 11.5	56	\$12,207	V1
	20	31	15	25	EDP11S031GN3R11000	Yes	B ⁵	ED2	26.5 x 20 x 11.5	56	\$13,077	V1
	25	38	20	33	EDP11S038GN3R11000	Yes	C ⁵	ED3	32.5 x 24 x 14	90	\$13,873	V1
	30	45	25	38	EDP11S045GN3R11000	Yes	C ⁵	ED3	32.5 x 24 x 14	104	\$15,233	V1
	40	58.5	30	47	EDP11S058GN3R11000	Yes	C ⁵	ED3	32.5 x 24 x 14	110	\$16,683	V1
	50/60	70.5	40	61	EDP11S070GN3R11000	Yes	D ⁵	ED4	38.5 x 30 x 14	240	\$17,909	V1
	75	88	50	73	EDP11S088GN3R11000	Yes	D ⁵	ED4	38.5 x 30 x 14	245	\$20,304	V1
	75	105	75	88	EDP11S105GN3R11000	No	E ⁶	ED5	50.5 x 30 x 17.5	300	\$23,840	V1
	100/125	142	75	115	EDP11S142GN3R11000	No	E ⁶	ED5	50.5 x 30 x 17.5	300	\$28,163	V1
	150	180	100	142	EDP11S180GN3R11000	No	E ⁶	ED5	50.5 x 30 x 17.5	300	\$34,605	V1
	175	211	125	180	EDP11S211GN3R11000	No	E ⁶	ED5	50.5 x 30 x 17.5	300	\$39,210	V1
	200	242	150	211	EDP11S242GN3R11000	No	F ⁶	ED7	83 x 32 x 41	700	\$59,035	V1
	250	312	200	242	EDP11S312GN3R11000	No	F ⁶	ED7	83 x 32 x 41	720	\$65,054	V1
	300	370	250	312	EDP11S370GN3R11000	No	F ⁶	ED7	83 x 32 x 41	750	\$67,943	V1
400	477	300	370	EDP11S477GN3R11000	No	F ⁶	ED7	83 x 32 x 41	775	\$82,414	V1	
450	515	400	477	EDP11S515GN3R11000	No	G ⁶	ED9	83 x 56 x 37	1100	\$94,867	V1	
500	601	450	515	EDP11S601GN3R11000	No	G ⁶	ED9	83 x 56 x 37	1120	\$106,258	V1	
600	720	500	560	EDP11S720GN3R11000	No	G ⁷	ED9	83 x 56 x 37	1150	\$126,755	V1	

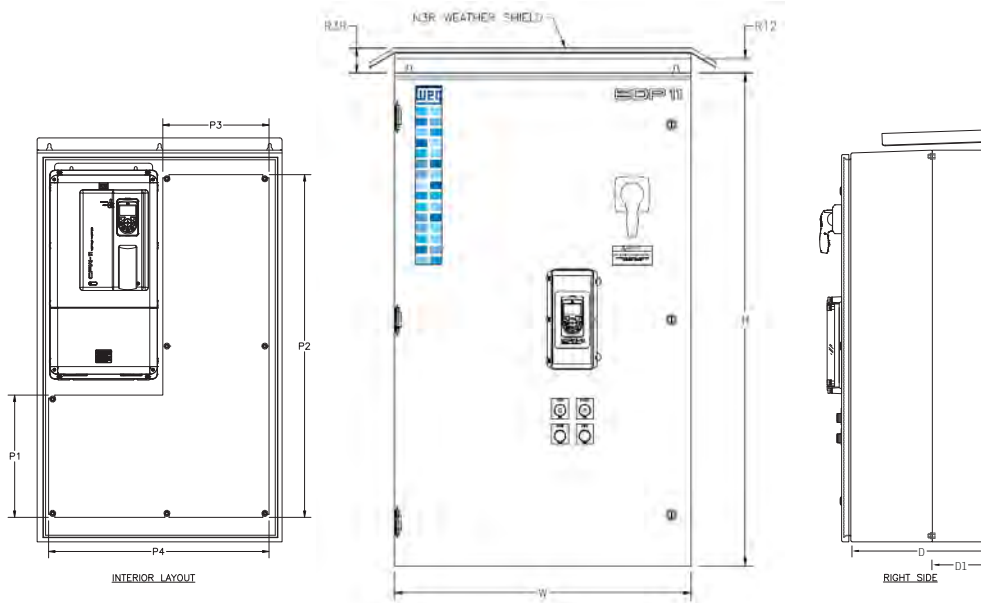
Notes:

- 1) CT = Constant Torque, 150% overload / 60 sec.; VT = Variable Torque (Quadratic Load), 110% overload / 60 sec.
 - 2) "HP" rating based on "average FLA values". Use as a guide only.
 - 3) Motor FLA may vary with speed and manufacturer. ALWAYS compare motor FLA to Nominal AMPS of drive.
 - 4) ED1 - ED4 enclosures are non-ventilated and wall-mounted; ED5 - ED9 enclosures are ventilated and floor mounted.
 - 5) Maximum 45°C ambient temperature without derating
 - 6) Maximum 40°C ambient temperature without derating
 - 7) Maximum 38°C ambient temperature without derating
 - 8) Dimensions and weights are for estimating purposes only. Only use "AS BUILT" drawings for construction.
- For other technical data please refer to WEG product manual.

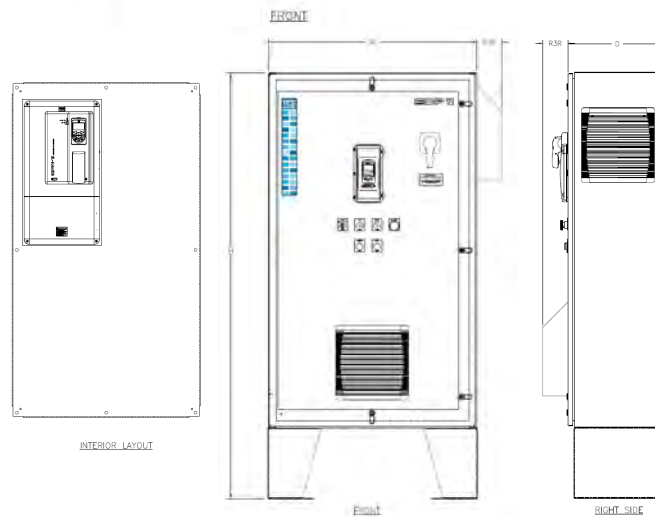
Variable Frequency Drives and Enclosed Motor Controls

Enclosure Frame Size

ED 1, 2, 3, 4



ED 5



Dimensions ⁵

Frame	H	W	D	D1	R3R ¹	R12 ²
ED1 ⁴	24	20	11.5	2.8	2.5	1.5
ED2 ⁴	30	24	14	5.4	2.5	1.5
ED3 ⁴	36	30	14	5.5	2.5	1.5
ED4 ⁴	48	30	17.5	6.8	2.5	1.5
ED5 ³	72	36	16	N/A	4	N/A

NOTE:

1) For NEMA 3R cabinet

2) For NEMA 12 Cabinet

3) ED5 "H" Dimension includes 12" for legs

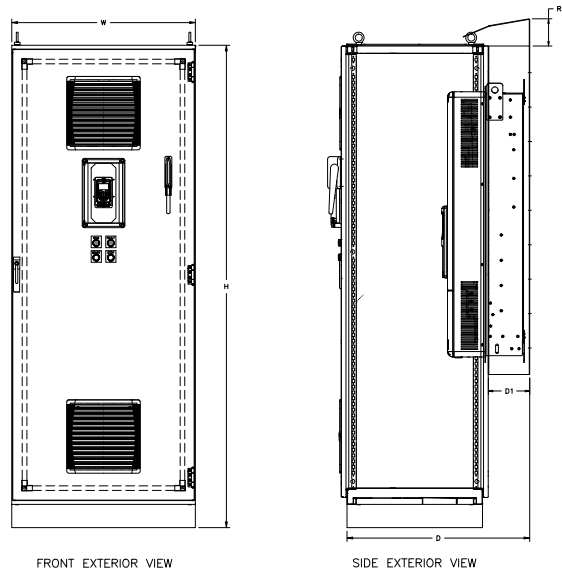
4) ED1 - ED4 enclosures are non-ventilated and wall-mounted; ED5 enclosures are non-ventilated and floor mounted.

5) Dimensions are provided for estimating purposes only.

*For NEMA 3R cabinet **For NEMA 12 cabinet

Variable Frequency Drives and Enclosed Motor Controls

ED 6

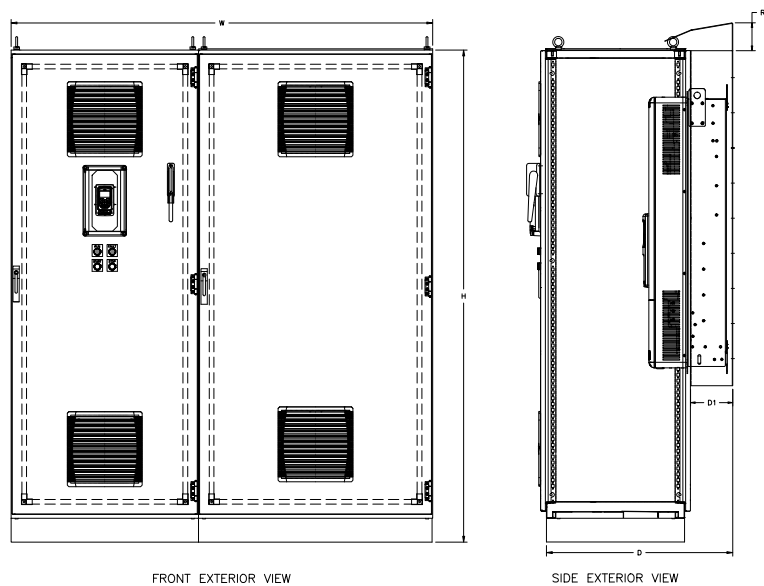


Dimensions

Frame	H	W	D(N12)	D(N3R)	D1(N12)	D1(N3R)	R3R	N12
ED6	83	32	31.4	41	6.2	11.4	2.5	1.5
ED7	83	63	31.4	41	6.2	11.4	2.5	1.5
ED8	83	56	31.9	41	7.5	11.4	2.5	1.5
ED9	83	95	31.9	41	7.5	11.4	2.5	1.5

NOTE: ED5 - ED9 enclosures are ventilated and floor-mounted

ED 7, 8, 9



Variable Frequency Drives and Enclosed Motor Controls

GPH2

The Combination Soft Starter is a NEMA 4/12 Enclosed industrial general purpose AC motor soft starter package. It is designed for simple and quick installation and start-up, requiring only input power and output motor connections.

The Combination Soft Starter is built to complement the ruggedness and reliability of WEG motors, providing a complete, simple, and cost effective AC motor starting and protection solution.

Standard Features

- Rated for 300% for 30 seconds
- Rated for 450% with derating
- 5 – 175HP at 230V
- 10 – 350HP at 460V
- Wall mounted enclosures for up to 125HP @ 230V; 250HP@460V
- Floor Mounted enclosure for up to 150 – 175HP @ 230V, and 300 – 350HP @ 460V
- Soft Starter
- SSW07 from 17 to 412Amps (all models with integrated AC1 by-pass)
- Circuit Breaker with Through Door Disconnect
- Control Power Transformer
- Start/Stop Pushbuttons
- Run/Fault Pilot Lights
- SuperDrive G2 Compatible

*Note:
SSW07 models do not include keypad*

Applications

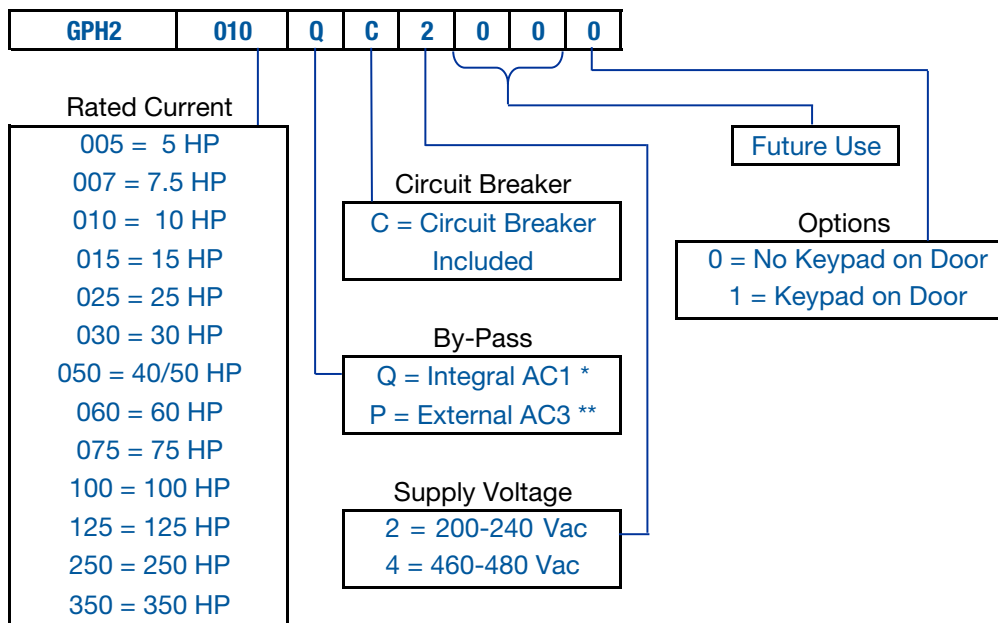
- Centrifugal Pumps
- Screw Compressors
- Centrifugal Fans
- Wood Chipper
- Veneer Lathe
- Saw
- Conveyor

Optional Features

- AC3 by-pass contactor and DOL Selector Switch
- Door mounted keypad
- 575V



GPH2 Catalog Number Sequence



* Bypass Contactor is 'Run Rated' and is integral to the soft starter

** Bypass Contactor is 'Full Rated' and mounted adjacent the soft starter inside the panel.

Table intended as reference only and not to create part numbers.



NEMA 4 / 12 Enclosure (Standard Version - with Circuit Breaker, Integral AC1 By-Pass and no Keypad on Door)

Motor Voltage	Motor HP ¹	Starter Amps ²	Catalog Number	Frame Size	Approx. Weight ⁴ (lbs.)	List Price	Multiplier
230 Vac	Input Power Supply: Three-Phase 200-240 Vac						
	5	17	GPH2005QC2000	1	140	\$3,650	E1
	7.5	24	GPH2007QC2000	1	140	\$3,750	E1
	10	30	GPH2010QC2000	1	140	\$3,900	E1
	15	45	GPH2015QC2000	2	150	\$4,300	E1
	25	61	GPH2025QC2000	2	150	\$4,800	E1
	30	85	GPH2030QC2000	2	150	\$5,800	E1
	50	130	GPH2050QC2000	3	280	\$6,990	E1
	60	171	GPH2060QC2000	3	280	\$7,500	E1
	75	200	GPH2075QC2000	3	280	\$8,450	E1
	100	255	GPH2100QC2000	4	415	\$10,700	E1
	125	312	GPH2125QC2000	4	415	\$11,880	E1
	150	365	GPH2150QC2000	5	610	\$12,700	E1
	175	412	GPH2175QC2000	5	610	\$14,500	E1
460 Vac	Input Power Supply: Three-Phase 460-480 Vac						
	10	17	GPH2010QC4000	1	140	\$3,650	E1
	15	24	GPH2015QC4000	1	140	\$3,750	E1
	20	30	GPH2020QC4000	1	140	\$3,900	E1
	30	45	GPH2030QC4000	2	150	\$4,300	E1
	40 / 50	61	GPH2050QC4000	2	150	\$4,800	E1
	75	85	GPH2075QC4000	2	150	\$5,800	E1
	100	130	GPH2100QC4000	3	280	\$6,990	E1
	125	171	GPH2125QC4000	3	280	\$7,500	E1
	150	200	GPH2150QC4000	3	280	\$8,450	E1
	200	255	GPH2200QC4000	4	415	\$10,700	E1
	250	312	GPH2250QC4000	4	415	\$11,880	E1
	300	365	GPH2300QC4000	5	610	\$12,700	E1
	350	412	GPH2350QC4000	5	610	\$14,500	E1

Notes:

- 1) "HP" rating based on FLA values from WEG W22, 2 and 4 pole, NEMA Premium® motors.
- 2) Motor FLA may vary with speed and manufacturer. ALWAYS compare motor FLA to Nominal AMPS of the starter.
- 3) For other technical data please refer to WEG product manual.
- 4) Dimensions and weights are for estimating purposes only. Only use "AS BUILT" drawings for construction.

Variable
Frequency
Drives and
Enclosed Motor
Controls

GHP2 - COMBINATION SOFT STARTER

NEMA 4 / 12 Enclosure (with Circuit Breaker, Integral AC1 By-Pass and Keypad on Door)

Motor Voltage	Motor HP ¹	Starter Amps ²	Catalog Number	Frame Size	Approx. Weight ⁴ (lbs.)	List Price	Multiplier
230 Vac	Input Power Supply: Three-Phase 200-240 Vac						
	5	17	GPH2005QC2001	1	140	\$4,145	E1
	7.5	24	GPH2007QC2001	1	140	\$4,245	E1
	10	30	GPH2010QC2001	1	140	\$4,395	E1
	15	45	GPH2015QC2001	2	150	\$4,795	E1
	25	61	GPH2025QC2001	2	150	\$5,295	E1
	30	85	GPH2030QC2001	2	150	\$6,295	E1
	50	130	GPH2050QC2001	3	280	\$7,485	E1
	60	171	GPH2060QC2001	3	280	\$7,995	E1
	75	200	GPH2075QC2001	3	280	\$8,945	E1
	100	255	GPH2100QC2001	4	415	\$11,195	E1
	125	312	GPH2125QC2001	4	415	\$12,375	E1
	150	365	GPH2150QC2001	5	610	\$13,195	E1
175	412	GPH2175QC2001	5	610	\$14,995	E1	
460 Vac	Input Power Supply: Three-Phase 460-480 Vac						
	10	17	GPH2010QC4001	1	140	\$4,145	E1
	15	24	GPH2015QC4001	1	140	\$4,245	E1
	20	30	GPH2020QC4001	1	140	\$4,395	E1
	30	45	GPH2030QC4001	2	150	\$4,795	E1
	40 / 50	61	GPH2050QC4001	2	150	\$5,295	E1
	75	85	GPH2075QC4001	2	150	\$6,295	E1
	100	130	GPH2100QC4001	3	280	\$7,485	E1
	125	171	GPH2125QC4001	3	280	\$7,995	E1
	150	200	GPH2150QC4001	3	280	\$8,945	E1
	200	255	GPH2200QC4001	4	415	\$11,195	E1
	250	312	GPH2250QC4001	4	415	\$12,375	E1
	300	365	GPH2300QC4001	5	610	\$13,195	E1
350	412	GPH2350QC4001	5	610	\$14,995	E1	

Notes:

- 1) "HP" rating based on FLA values from WEG W22, 2 and 4 pole, NEMA Premium® motors.
- 2) Motor FLA may vary with speed and manufacturer. ALWAYS compare motor FLA to Nominal AMPS of the starter.
- 3) For other technical data please refer to WEG product manual.
- 4) Dimensions and weights are for estimating purposes only. Only use "AS BUILT" drawings for construction.

Variable Frequency Drives and Enclosed Motor Controls



NEMA 4 / 12 Enclosure (with Circuit Breaker, External AC3 By-Pass and no Keypad on Door)

Motor Voltage	Motor HP 1	Starter Amps 2	Catalog Number	Frame Size	Approx. Weight 4 (lbs.)	List Price	Multiplier
230 Vac	Input Power Supply: Three-Phase 200-240 Vac						
	5	17	GPH2005PC2000	1	140	\$3,900	E1
	7.5	24	GPH2007PC2000	1	140	\$4,032	E1
	10	30	GPH2010PC2000	1	140	\$4,243	E1
	15	45	GPH2015PC2000	2	150	\$4,865	E1
	25	61	GPH2025PC2000	2	150	\$5,412	E1
	30	85	GPH2030PC2000	2	150	\$6,585	E1
	50	130	GPH2050PC2000	3	280	\$8,260	E1
	60	171	GPH2060PC2000	3	280	\$9,013	E1
	75	200	GPH2075PC2000	3	280	\$10,350	E1
	100	255	GPH2100PC2000	4	415	\$12,965	E1
	125	312	GPH2125PC2000	4	415	\$14,847	E1
	150	365	GPH2150PC2000	5	610	\$15,706	E1
	175	412	GPH2175PC2000	5	610	\$21,075	E1
460 Vac	Input Power Supply: Three-Phase 460-480 Vac						
	10	17	GPH2010PC4000	1	140	\$3,900	E1
	15	24	GPH2015PC4000	1	140	\$4,032	E1
	20	30	GPH2020PC4000	1	140	\$4,243	E1
	30	45	GPH2030PC4000	2	150	\$4,865	E1
	40 / 50	61	GPH2050PC4000	2	150	\$5,412	E1
	75	85	GPH2075PC4000	2	150	\$6,585	E1
	100	130	GPH2100PC4000	3	280	\$8,260	E1
	125	171	GPH2125PC4000	3	280	\$9,013	E1
	150	200	GPH2150PC4000	3	280	\$10,350	E1
	200	255	GPH2200PC4000	4	415	\$12,965	E1
	250	312	GPH2250PC4000	4	415	\$14,847	E1
	300	365	GPH2300PC4000	5	610	\$15,706	E1
	350	412	GPH2350PC4000	5	610	\$21,075	E1

Notes:

- 1) "HP" rating based on FLA values from WEG W22, 2 and 4 pole, NEMA Premium® motors.
- 2) Motor FLA may vary with speed and manufacturer. ALWAYS compare motor FLA to Nominal AMPS of the starter.
- 3) For other technical data please refer to WEG product manual.
- 4) Dimensions and weights are for estimating purposes only. Only use "AS BUILT" drawings for construction.

Variable
Frequency
Drives and
Enclosed Motor
Controls

GHP2 - COMBINATION SOFT STARTER

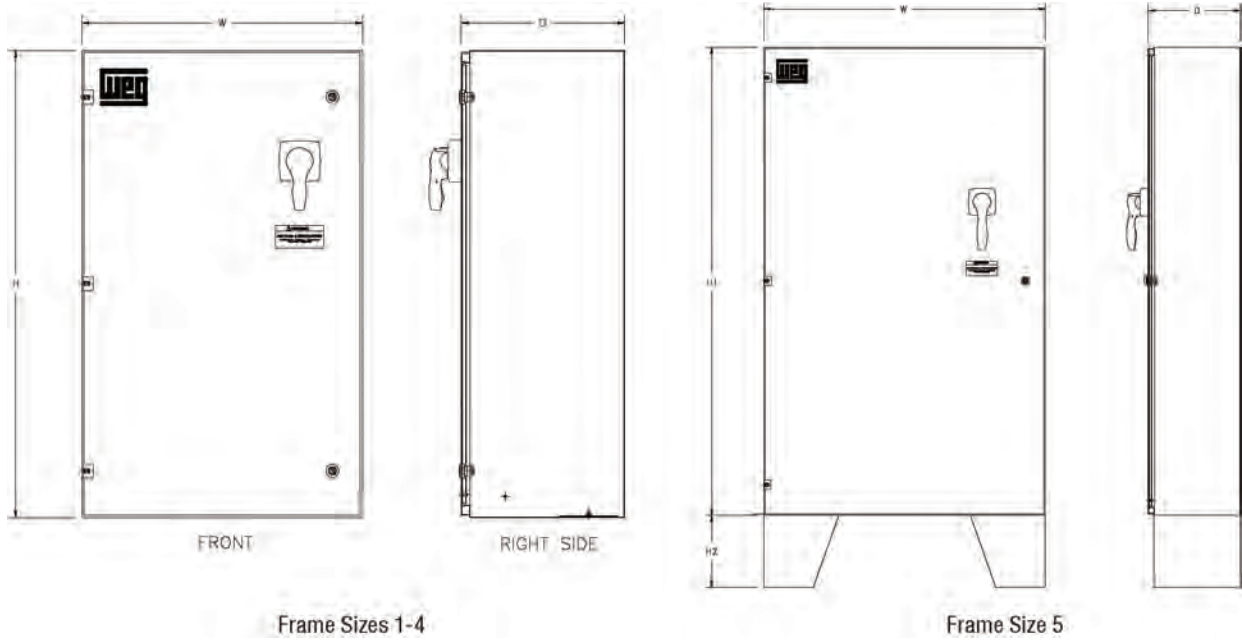
NEMA 4 / 12 Enclosure (with Circuit Breaker, External AC3 By-Pass and Keypad on Door)

Motor Voltage	Motor HP ¹	Starter Amps ²	Catalog Number	Frame Size	Approx. Weight ⁴ (lbs.)	List Price	Multiplier Symbol
230 Vac	Input Power Supply: Three-Phase 200-240 Vac						
	5	17	GPH2005PC2001	1	140	\$4,395	E1
	7.5	24	GPH2007PC2001	1	140	\$4,527	E1
	10	30	GPH2010PC2001	1	140	\$4,738	E1
	15	45	GPH2015PC2001	2	150	\$5,360	E1
	25	61	GPH2025PC2001	2	150	\$5,907	E1
	30	85	GPH2030PC2001	2	150	\$7,080	E1
	50	130	GPH2050PC2001	3	280	\$8,755	E1
	60	171	GPH2060PC2001	3	280	\$9,508	E1
	75	200	GPH2075PC2001	3	280	\$10,845	E1
	100	255	GPH2100PC2001	4	415	\$13,460	E1
	125	312	GPH2125PC2001	4	415	\$15,342	E1
	150	365	GPH2150PC2001	5	610	\$16,201	E1
	175	412	GPH2175PC2001	5	610	\$21,570	E1
460 Vac	Input Power Supply: Three-Phase 460-480 Vac						
	10	17	GPH2010PC4001	1	140	\$4,395	E1
	15	24	GPH2015PC4001	1	140	\$4,527	E1
	20	30	GPH2020PC4001	1	140	\$4,738	E1
	30	45	GPH2030PC4001	2	150	\$5,360	E1
	40 / 50	61	GPH2050PC4001	2	150	\$5,907	E1
	75	85	GPH2075PC4001	2	150	\$7,080	E1
	100	130	GPH2100PC4001	3	280	\$8,755	E1
	125	171	GPH2125PC4001	3	280	\$9,508	E1
	150	200	GPH2150PC4001	3	280	\$10,845	E1
	200	255	GPH2200PC4001	4	415	\$13,460	E1
	250	312	GPH2250PC4001	4	415	\$15,342	E1
	300	365	GPH2300PC4001	5	610	\$16,201	E1
	350	412	GPH2350PC4001	5	610	\$21,570	E1

Notes:

- 1) "HP" rating based on FLA values from WEG W22, 2 and 4 pole, NEMA Premium® motors.
- 2) Motor FLA may vary with speed and manufacturer. ALWAYS compare motor FLA to Nominal AMPS of the starter.
- 3) For other technical data please refer to WEG product manual.
- 4) Dimensions and weights are for estimating purposes only. Only use "AS BUILT" drawings for construction.

Variable Frequency Drives and Enclosed Motor Controls



GPH Dimensions

Frame	W	D	H1	H2	Approx. Weight (lbs)
1	16	8	24	N/A	140
2	24	12	32	N/A	150
3	24	14	40	N/A	280
4	32	12	48	N/A	415
5	36	16	60	12	610

Notes: H1 + H2 = overall height

Enclosed Starters

Operation and Protection of Motors up to 600Hp at 460Vac (800A)

WEG enclosed starters series were designed to meet the requirements and flexibility frequently demanded in industrial applications. Featuring components that meet IEC design standards and UL horsepower ratings, WEG enclosed starters are UL508A approved and cULus certified. This means your panels will fulfill the rigorous requirements of UL508A and will have the quality and performance as for all WEG products



Standard or Custom

By having most of the processes in WEG facilities we can manufacture not only the enclosed starters listed on this catalog, but also any other custom panel your application may require. Our Engineers will work together with you to provide the perfect solution for your application.

Perfect Solution

WEG offers options for both: Full Voltage Non-Reversing Non-Combination Starters and Full Voltage Non-Reversing Combination Starters up to 250Hp at 460Vac.

WEG's UL508A panel shops can manufacture any configuration of Non-Combination or Combination Starters for any low voltage horsepower ratings. Some examples are listed below:

- Enclosed Contactors
- Full Voltage Reversing Starters
- Reduced Voltage Magnetic Starters
(Part-Winding, Wye-Delta)
- Reduced Voltage Solid-State Starters
- Multi-Speed Starters
- Explosion Proof Starters

Whenever you need a reliable product to control & protect your application, WEG field specialists can help you find the best solution.










New Concepts

Smaller size components allow selection of smaller enclosures which translates to cost savings. A wide range of ratings and frames allow the components to be more closely matched to your application. Our overload relays provide phase loss sensitivity, ambient temperature compensated for -4F to +140F (eliminating the need for additional heaters), and automatic reset for remote applications.

A wide range of industrial applications are covered: Pumps, Industrial Washing Machines, Compressors, Blowers, Cutting Machines, Conveyors, Lumber Processing and many others.

Product Line Overview

NON-COMBINATION STARTERS

Type		ESW	PESW	ESWX-M	ESWX-M	ESWX
						
Maximum Horsepower Rating at 460Vac 60Hz	[Hp]	75	75	10	75	75
Maximum Rated Current I _{max} (Iu)	[A]	105	105	16	105	105
Rated Operational Voltage	[V]	600	600	600	600	600
Enclosure Type		Metallic Type 1	Non-Metallic Type 4X	Cast Aluminum NEMA 7/9 NEMA 4X	Cast Aluminum Type 7/9	Cast Aluminum Type 7/9
Protections provided						
Motor Disconnect				✓	✓	
Motor Branch Short Circuit				✓	✓	
Motor Controller		✓	✓	✓	✓	✓
Motor Overload		✓	✓	✓	✓	✓
Accessories						
Pushbuttons		N/A	N/A	N/A	N/A	
Pilot light		N/A	N/A	N/A	N/A	
Emergency Stop		N/A	N/A	N/A	N/A	
Selector Switch		N/A	N/A	N/A	N/A	
Control Transformer		N/A	N/A	N/A	N/A	(available as an option)
Timing Relays (RTW Series)		N/A	N/A	N/A	N/A	(available as an option)
Protector Relay (RPW Series)		N/A	N/A	N/A	N/A	(available as an option)
Level Relay (RNW Series)		N/A	N/A	N/A	N/A	(available as an option)

Variable Frequency Drives and Enclosed Motor Controls

Combination Starters

Product Line Overview

COMBINATION STARTERS

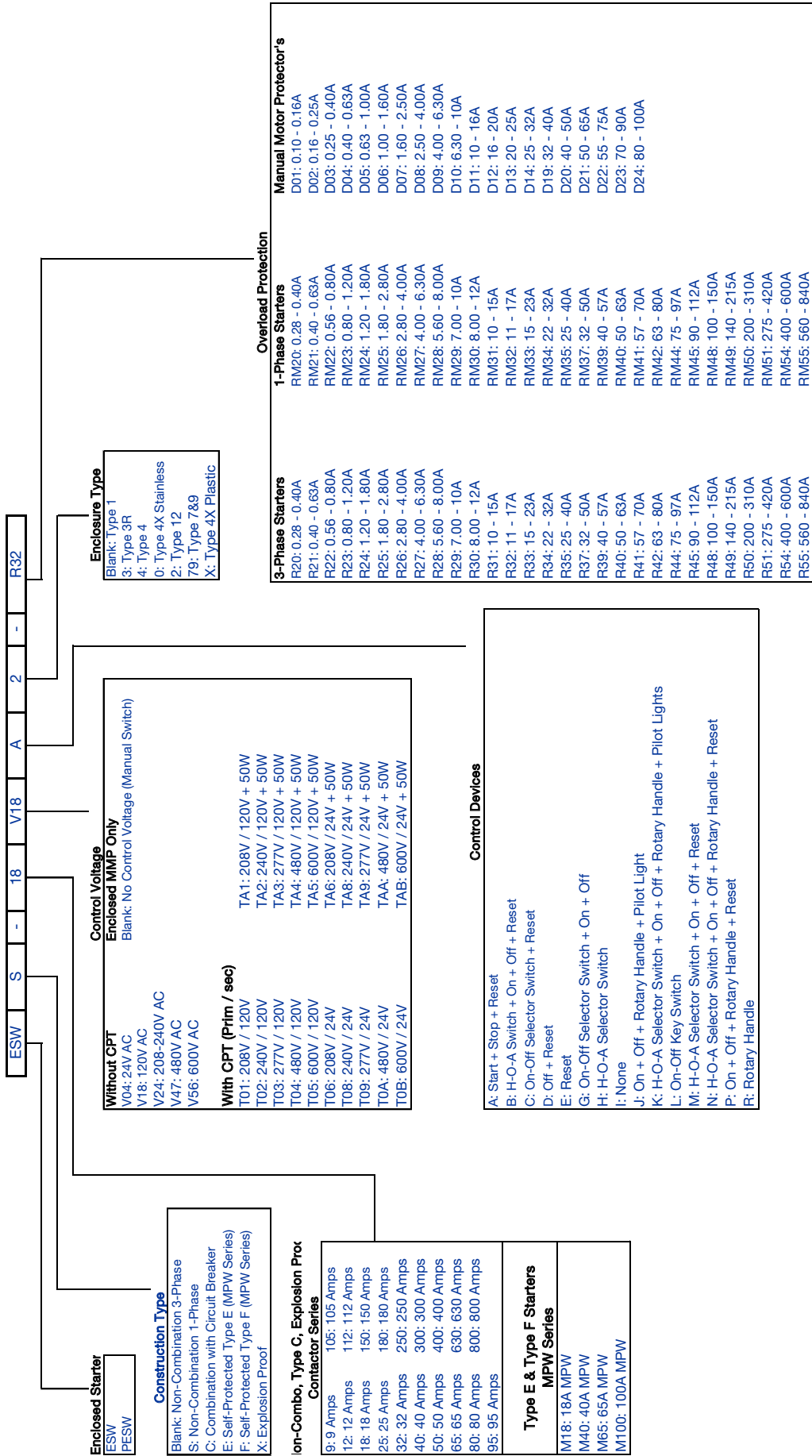
Type	ESWC	ESWE	ESWF
Maximum Horsepower Rating at 460Vac 60Hz [Hp]	250	20	75
Maximum Rated Current I_{max} (I _n) [A]	300	32	105
Rated Operational Voltage [V]	600	600	600
Enclosure Type	Metallic Type 1 Type 3R Type 4 / 12 Non-Metallic Type 4X	Non-Metallic Type 4X	Metallic Type 1 Type 3R Type 4 / 12 Non-Metallic Type 4X
Protections provided			
Motor Disconnect	✓	✓	✓
Motor Branch Short Circuit	✓	✓	✓
Motor Controller	✓	✓	✓
Motor Overload	✓	✓	✓

Accessories

Pushbuttons		
Pilot light		
Emergency Stop		
Selector Switch		
Control Transformer	(available as an option)	(available as an option)
Timing Relays (RTW Series)	(available as an option)	
Protector Relay (RPW Series)	(available as an option)	
Level Relay (RNW Series)	(available as an option)	

Variable
Frequency
Drives and
Enclosed Motor
Controls

Enclosed Starter Series Catalog Numbers



Variable
Frequency
Drives and
Enclosed Motor
Controls

Data subject to change without notice.

Non-Combination Starters

ESW/PESW



WEG offers non-reversing and non-combination magnetic starters up to 75HP at 460Vac (105A). Featuring components that meet IEC design standards and UL horsepower ratings, incorporating WEG contactors and overload relays, the magnetic starters are ideal to protect and operate motors, ensuring smooth operation year-after year.

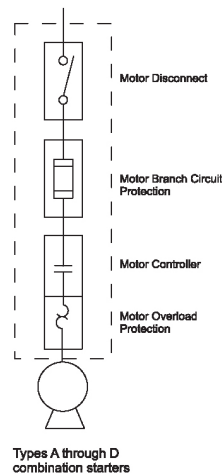
Three series are available:

- Metallic Type 1 – ESW Series
- Non-Metallic Type 4X – PESW Series
- Metallic Type NEMA 7/9 - ESWX Series

WEG ESW and PESW starters are pre-wired from the factory and recommended for all single and three phase applications where magnetic starters can be applied.

Standard Features

- High horsepower ratings in four compact sizes
- Fast acceleration and high initial torque
- Bimetallic Overload Relays – class 10
- Adjustable trip current
- Ambient temperature compensated
- Phase-loss sensitivity protection
- Selectable Manual or Automatic RESET
- Electrically isolated NO-NC auxiliary contacts
- Easy to install and setup



Variable
Frequency
Drives and
Enclosed Motor
Controls

NEMA 1 Enclosure – Three Phase



ESW Series - Non-combination Across The Line Starter Three -Phase - Enclosure Type-1

Max. UL Horsepower				Box	Setting Range	Coil Voltage	RESET only		START/STOP + RESET		Multiplier
200V	230V	460V	575V				Catalog Number	List Price	Catalog Number	List Price	
-	1/3	1/2	-	M04	0.8 - 1.2	120	ESW-9V18E-R23	\$157	ESW-9V18A-R23	\$210	Z3
						208-240	ESW-9V24E-R23		ESW-9V24A-R23		
						480	ESW-9V47E-R23		ESW-9V47A-R23		
-	-	1	1	M04	1.2 - 1.8	120	ESW-9V18E-R24	\$157	ESW-9V18A-R24	\$210	
						208-240	ESW-9V24E-R24		ESW-9V24A-R24		
						480	ESW-9V47E-R24		ESW-9V47A-R24		
1/2	3/4	1-1/2	2	M04	1.8 - 2.8	120	ESW-9V18E-R25	\$157	ESW-9V18A-R25	\$210	
						208-240	ESW-9V24E-R25		ESW-9V24A-R25		
						480	ESW-9V47E-R25		ESW-9V47A-R25		
1	1	2	3	M04	2.8 - 4.0	120	ESW-9V18E-R26	\$157	ESW-9V18A-R26	\$210	
						208-240	ESW-9V24E-R26		ESW-9V24A-R26		
						480	ESW-9V47E-R26		ESW-9V47A-R26		
1-1/2	1-1/2	3	5	M04	4.0 - 6.3	120	ESW-9V18E-R27	\$157	ESW-9V18A-R27	\$210	
						208-240	ESW-9V24E-R27		ESW-9V24A-R27		
						480	ESW-9V47E-R27		ESW-9V47A-R27		
2	2	5	-	M04	5.6 - 8.0	120	ESW-9V18E-R28	\$157	ESW-9V18A-R28	\$210	
						208-240	ESW-9V24E-R28		ESW-9V24A-R28		
						480	ESW-9V47E-R28		ESW-9V47A-R28		
3	3	-	7-1/2	M04	7.0 - 10	120	ESW-9V18E-R29	\$157	ESW-9V18A-R29	\$210	
						208-240	ESW-9V24E-R29		ESW-9V24A-R29		
						480	ESW-9V47E-R29		ESW-9V47A-R29		
-	-	7-1/2	10	M04	8.0 - 12.5	120	ESW-12V18E-R30	\$174	ESW-12V18A-R30	\$227	
						208-240	ESW-12V24E-R30		ESW-12V24A-R30		
						480	ESW-12V47E-R30		ESW-12V47A-R30		
5	5	10	15	M04	11 - 17	120	ESW-18V18E-R32	\$188	ESW-18V18A-R32	\$241	
						208-240	ESW-18V24E-R32		ESW-18V24A-R32		
						480	ESW-18V47E-R32		ESW-18V47A-R32		
7-1/2	7-1/2	15	-	M04	15 - 23	120	ESW-25V18E-R33	\$223	ESW-25V18A-R33	\$276	
						208-240	ESW-25V24E-R33		ESW-25V24A-R33		
						480	ESW-25V47E-R33		ESW-25V47A-R33		
10	10	20	25	M04	22 - 32	120	ESW-32V18E-R34	\$245	ESW-32V18A-R34	\$298	
						208-240	ESW-32V24E-R34		ESW-32V24A-R34		
						480	ESW-32V47E-R34		ESW-32V47A-R34		
10	15	30	-	M06	25 - 40	120	ESW-40V18E-R35	\$292	ESW-40V18A-R35	\$345	
						208-240	ESW-40V24E-R35		ESW-40V24A-R35		
						480	ESW-40V47E-R35		ESW-40V47A-R35		
15	15	30	40	M06	32 - 50	120	ESW-50V18E-R38	\$350	ESW-50V18A-R38	\$403	
						208-240	ESW-50V24E-R38		ESW-50V24A-R38		
						480	ESW-50V47E-R38		ESW-50V47A-R38		
20	20	40	50	M06	40 - 57	120	ESW-65V18E-R39	\$375	ESW-65V18A-R39	\$428	
						208-240	ESW-65V24E-R39		ESW-65V24A-R39		
						480	ESW-65V47E-R39		ESW-65V47A-R39		
-	25	50	60	M06	57 - 70	120	ESW-80V18E-R41	\$421	ESW-80V18A-R41	\$474	
						208-240	ESW-80V24E-R41		ESW-80V24A-R41		
						480	ESW-80V47E-R41		ESW-80V47A-R41		
25	30	60	75	M08	63 - 80	120	ESW-95V18E-R43	\$876	ESW-95V18A-R43	\$929	
						208-240	ESW-95V24E-R43		ESW-95V24A-R43		
						480	ESW-95V47E-R43		ESW-95V47A-R43		
30	-	75	-	M08	75 - 97	120	ESW-105V18E-R44	\$975	ESW-105V18A-R44	\$1,028	
						208-240	ESW-105V24E-R44		ESW-105V24A-R44		
						480	ESW-105V47E-R44		ESW-105V47A-R44		
-	40	-	-	M08	90 - 112	120	ESW-105V18E-R45	\$975	ESW-105V18A-R45	\$1,028	
						208-240	ESW-105V24E-R45		ESW-105V24A-R45		
						480	ESW-105V47E-R45		ESW-105V47A-R45		

Notes:

- 1) Please contact your local WEG representative for starters with other control voltage.
- 2) 3-phase starters can be wired for single-phase applications (see page 238 for single phase conversion diagram)

Variable Frequency Drives and Enclosed Motor Controls

Enclosed Starters - ESWS

NEMA 1 Enclosure – Single Phase



ESW Series - Non-combination Across The Line Starter - Non Reversing Single Phase - Enclosure Type-1

Max. UL Horsepower		Box	Setting Range	Coil Voltage	RESET only		Multiplier
115V	230V				Catalog Number	List Price	
-	1/2	M04	2.8 - 4.0	208-240	ESWS-9V24E-RM26	\$135	Z3
-	3/4	M04	4.0 - 6.3	208-240	ESWS-9V24E-RM27	\$135	
1/3	1	M04	5.6 - 8.0	120	ESWS-9V18E-RM28	\$135	
				208-240	ESWS-9V24E-RM28		
1/2	-	M04	7.0 - 10	120	ESWS-9V18E-RM29	\$135	
-	1-1/2	M04	8.0 - 12.5	208-240	ESWS-9V24E-RM30	\$135	
3/4	2	M04	10 - 15	120	ESWS-12V18E-RM31	\$161	
				208-240	ESWS-12V24E-RM31		
1	3	M04	11 - 17	120	ESWS-18V18E-RM32	\$170	
				208-240	ESWS-18V24E-RM32		
1-1/2	5	M04	15 - 23	120	ESWS-25V18E-RM33	\$180	
				208-240	ESWS-25V24E-RM33		
2	5	M04	22 - 32	120	ESWS-25V18E-RM34	\$180	
				208-240	ESWS-25V24E-RM34		
3	-	M06	25 - 40	120	ESWS-40V18E-RM35	\$274	
-	7-1/2	M06	25 - 40	208-240	ESWS-50V24E-RM36	\$330	
-	7-1/2	M06	32 - 50	208-240	ESWS-50V24E-RM38	\$330	
-	10	M06	32 - 50	208-240	ESWS-65V24E-RM38	\$350	

Notes: 1) OLR must be set at 115% of motor FLA

ESWS - Single-phase version - assembled with 2 pole contactor and 2 pole overload relays

Field Mod Kits for ESW/ESWS Series

Description	Accessories		Field Kit Modifications		
	Structure		Catalog Number	List Price	Multiplier
	Top	Bottom			
No Pilot Device Metal Brackets - 2 x 22mm holes w/ plugs	PLUG	PLUG	KESWPP	\$25	Z3
Start / Stop Pushbutton	PLUG	START - STOP	KESWPS	\$80	
Hand-Off-Auto Selector Switch	HAND - OFF - AUTO	PLUG	KESWHP	\$80	
Off-On Selector Switch	OFF - ON	PLUG	KESWFP	\$80	
Hand-Off-Auto Selector Switch and Start / Stop Pushbuttons	HAND - OFF - AUTO	START - STOP	KESWHS	\$130	
E-stop	PLUG	E-STOP	KESWPE	\$80	



KESWPP



KESWPS



KESWHP



KESWFP

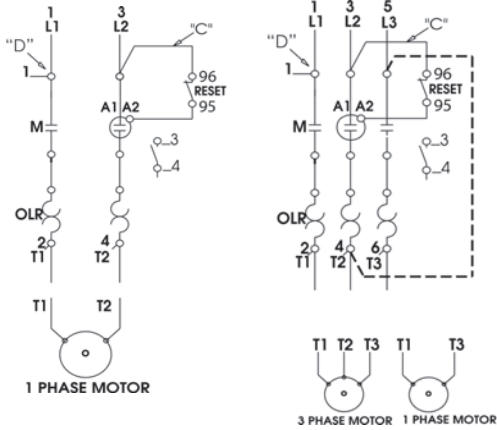


KESWHS

Variable Frequency Drives and Enclosed Motor Controls

WIRING DIAGRAM

Single-phase Starter Three-phase Starter



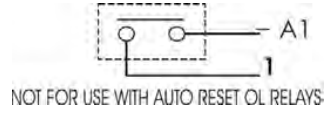
Conversion to single-phase, add jumper wire from L3 to T2 (follow dotted line connection above)

Separate Control

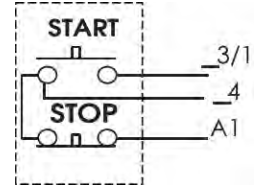
FOR SEPARATE CONTROL, REMOVE WIRES "C" AND "D" IF SUPPLIED AND CONNECT SEPARATE CONTROL LINES TO TERMINAL N° 96 ON THE OVERLOAD RELAY AND TO TERMINAL N° _3 ON THE AUX. CONTACT BLOCK (FOR 3 WIRE CONTROL) OR TO THE CONTACTOR COIL N° A1 (FOR 2 WIRE CONTROL).

Pilot Devices

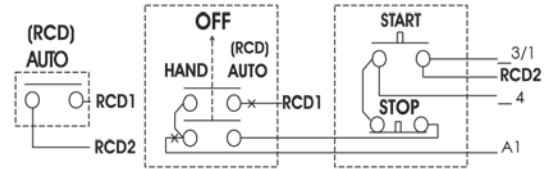
2 Wire Control



3 Wire Control



Hand-Off Auto Wire Control (For ESW Series Only)



DIMENSIONS

Provision for cable gland fitting	Standard			
	Top	Bottom	Side	Back
Box M04	2x (½" or ¾")	2x (½" or ¾")	4x (½" or ¾")	2x (½" or ¾")
	1x (¾" or 1")	1x (¾" or 1")	-	-
Box M06	1x (½" or ¾")	1x (½" or ¾")	3x (½" or ¾")	-
	2x (1" or 1-1/4")	2x (1" or 1-1/4")	4x (1" or 1-1/4")	-
Box M08	1x (1")	1x (1")	1x (1")	1x (1")
	1x (1-1/2")	1x (1-1/2")	4x (¾")	-

Dimensions (approx. inches)

Enclosed Starters	Enclosure Size			
	BOX	H	W	D
ESW(S) 9, 12, 18, 25, 32	M04	9.5	5.5	5.0
ESW(S) 40, 50, 65, 80	M06	13.0	7.5	5.6
ESW 95, 105	M08	17.8	9.5	6.7



Variable Frequency Drives and Enclosed Motor Controls

Enclosed Motor Controls



PESW

PESW Series - Non-combination Across the line starter
Three-Phase Enclosure Type - 4X



Max. UL Horsepower				Box	Setting Range	Coil Voltage	RESET only ⁵		START/STOP + RESET		Multiplier
200V	230V	460V	575V				Catalog Number	List Price	Catalog Number	List Price	
-	1/3	1/2	-	04	0.8 - 1.2	120	PESW-9V18EX-R23	\$157	PESW-9V18AX-R23	\$210	
						208-240	PESW-9V24EX-R23		PESW-9V24AX-R23		
						480	PESW-9V47EX-R23		PESW-9V47AX-R23		
-	-	1	1	04	1.2 - 1.8	120	PESW-9V18EX-R24	\$157	PESW-9V18AX-R24	\$210	
						480	PESW-9V47EX-R24		PESW-9V47AX-R24		
1/2	3/4	1-1/2	2	04	1.8 - 2.8	120	PESW-9V18EX-R25	\$157	PESW-9V18AX-R25	\$210	
						208-240	PESW-9V24EX-R25		PESW-9V24AX-R25		
						480	PESW-9V47EX-R25		PESW-9V47AX-R25		
1	1	2	3	04	2.8 - 4.0	120	PESW-9V18EX-R26	\$157	PESW-9V18AX-R26	\$210	
						208-240	PESW-9V24EX-R26		PESW-9V24AX-R26		
						480	PESW-9V47EX-R26		PESW-9V47AX-R26		
1-1/2	1-1/2	3	5	04	4.0 - 6.3	120	PESW-9V18EX-R27	\$157	PESW-9V18AX-R27	\$210	
						208-240	PESW-9V24EX-R27		PESW-9V24AX-R27		
						480	PESW-9V47EX-R27		PESW-9V47AX-R27		
2	2	5	-	04	5.6 - 8.0	120	PESW-9V18EX-R28	\$157	PESW-9V18AX-R28	\$210	
						208-240	PESW-9V24EX-R28		PESW-9V24AX-R28		
						480	PESW-9V47EX-R28		PESW-9V47AX-R28		
3	3	-	7-1/2	04	7.0 - 10	120	PESW-9V18EX-R29	\$157	PESW-9V18AX-R29	\$210	
						208-240	PESW-9V24EX-R29		PESW-9V24AX-R29		
-	-	7-1/2	10	04	8.0 - 12.5	120	PESW-12V18EX-R30	\$174	PESW-12V18AX-R30	\$227	
						480	PESW-12V47EX-R30		PESW-12V47AX-R30		
						120	PESW-18V18EX-R32		PESW-18V18AX-R32		
5	5	10	15	04	11 - 17	208-240	PESW-18V24EX-R32	\$188	PESW-18V24AX-R32	\$241	
						480	PESW-18V47EX-R32		PESW-18V47AX-R32		
						120	PESW-25V18EX-R33		PESW-25V18AX-R33		
7-1/2	7-1/2	15	-	04	15 - 23	208-240	PESW-25V24EX-R33	\$223	PESW-25V24AX-R33	\$276	
						480	PESW-25V47EX-R33		PESW-25V47AX-R33		
						120	PESW-32V18EX-R34		PESW-32V18AX-R34		
10	10	20	25	06	22 - 32	208-240	PESW-32V24EX-R34	\$262	PESW-32V24AX-R34	\$298	
						480	PESW-32V47EX-R34		PESW-32V47AX-R34		
						120	PESW-40V18EX-R35		PESW-40V18AX-R35		
10	15	30	-	06	25 - 40	208-240	PESW-40V24EX-R35	\$321	PESW-40V24AX-R35	\$345	
						480	PESW-40V47EX-R35		PESW-40V47AX-R35		
						120	PESW-50V18EX-R38		PESW-50V18AX-R38		
15	15	30	40	08	32 - 50	208-240	PESW-50V24EX-R38	\$564	PESW-50V24AX-R38	\$579	
						480	PESW-50V47EX-R38		PESW-50V47AX-R38		
						120	PESW-65V18EX-R39		PESW-65V18AX-R39		
20	20	40	50	08	40 - 57	208-240	PESW-65V24EX-R39	\$589	PESW-65V24AX-R39	\$604	
						480	PESW-65V47EX-R39		PESW-65V47AX-R39		
						120	PESW-80V18EX-R41		PESW-80V18AX-R41		
-	25	50	60	08	57 - 70	208-240	PESW-80V24EX-R41	\$635	PESW-80V24AX-R41	\$650	
						480	PESW-80V47EX-R41		PESW-80V47AX-R41		
						120	PESW-95V18EX-R43		PESW-95V18AX-R43		
25	30	60	75	10	63 - 80	208-240	PESW-95V24EX-R43	\$1,085	PESW-95V24AX-R43	\$1,100	
						480	PESW-95V47EX-R43		PESW-95V47AX-R43		
						120	PESW-105V18EX-R44		PESW-105V18AX-R44		
30	-	75	-	10	75 - 97	480	PESW-105V47EX-R44	\$1,184	PESW-105V47AX-R44	\$1,199	
						120	PESW-105V18EX-R45		PESW-105V18AX-R45		
-	40	-	-	10	90 - 112	208-240	PESW-105V24EX-R45	\$1,184	PESW-105V24AX-R45	\$1,199	

Z3

Notes:

- 1) OLR must be set @115% of FLA
- 2) 3-phase starters with 120V coil are wired for separate control
- 3) 3-phase starters can be wired for single-phase applications (see diagram)

Variable Frequency Drives and Enclosed Motor Controls



PESW Series - Non-combination Across the line starter

Single Phase- Enclosure Type-4X

Max. UL Horsepower		Box	Setting Range	Coil Voltage	RESET only ⁴		START/STOP + RESET		Multiplier
115V	230V				Catalog Number	List Price	Catalog Number	List Price	
-	1/2	04	2.8 - 4.0	208-240	PESWS-9V24EX-RM26	\$140	PESWS-9V24AX-RM26	\$155	Z3
-	3/4	04	4.0 - 6.3	208-240	PESWS-9V24EX-RM27	\$140	PESWS-9V24AX-RM27	\$155	
1/3	1	04	5.6 - 8.0	120	PESWS-9V18EX-RM28	\$140	PESWS-9V18AX-RM28	\$155	
				208-240	PESWS-9V24EX-RM28		PESWS-9V24AX-RM28		
1/2	-	04	7.0 - 10	120	PESWS-9V18EX-RM29	\$140	PESWS-9V18AX-RM29	\$155	
-	1-1/2	04	8.0 - 12.5	208-240	PESWS-9V24EX-RM30	\$140	PESWS-9V24AX-RM30	\$155	
3/4	2	04	10 - 15	120	PESWS-12V18EX-RM31	\$161	PESWS-12V18AX-RM31	\$170	
				208-240	PESWS-12V24EX-RM31		PESWS-12V24AX-RM31		
1	3	04	11 - 17	120	PESWS-18V18EX-RM32	\$170	PESWS-18V18AX-RM32	\$182	
				208-240	PESWS-18V24EX-RM32		PESWS-18V24AX-RM32		
1-1/2	5	04	15 - 23	120	PESWS-25V18EX-RM33	\$180	PESWS-25V18AX-RM33	\$195	
				208-240	PESWS-25V24EX-RM33		PESWS-25V24AX-RM33		
2	5	04	22 - 32	120	PESWS-25V18EX-RM34	\$180	PESWS-25V18AX-RM34	\$195	
				208-240	PESWS-25V24EX-RM34		PESWS-25V24AX-RM34		
3	-	06	25 - 40	120	PESWS-40V18EX-RM35	\$274	PESWS-40V18AX-RM35	\$300	
-	7-1/2	08	25 - 40	208-240	PESWS-50V24EX-RM36	\$430	PESWS-50V24AX-RM36	\$440	
-	7-1/2	08	32 - 50	208-240	PESWS-50V24EX-RM38	\$430	PESWS-50V24AX-RM38	\$440	
-	10	08	32 - 50	208-240	PESWS-65V24EX-RM38	\$460	PESWS-65V24AX-RM38	\$480	

Notes:

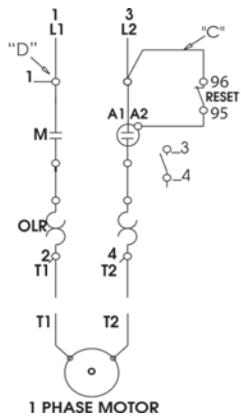
- 1) OLR must be set at 115% of motor FLA
- 2) Single-phase starters are assembled with special 2-pole contactors and 2 pole OL relays
- 3) Starters are pre-wired for common control, ie coil voltage matched power voltage
- 4) Items not stocked. Availability under request.

Variable Frequency Drives and Enclosed Motor Controls

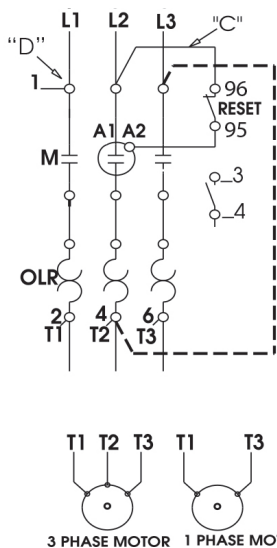
PESW

WIRING DIAGRAM

Single-phase Starter



Three-phase Starter

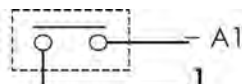


Separate Control

FOR SEPARATE CONTROL, REMOVE WIRES "C" AND "D" IF SUPPLIED AND CONNECT SEPARATE CONTROL LINES TO TERMINAL N° 96 ON THE OVERLOAD RELAY AND TO TERMINAL N° _3 ON THE AUX. CONTACT BLOCK (FOR 3 WIRE CONTROL) OR TO THE CONTACTOR COIL N° A1 (FOR 2 WIRE CONTROL).

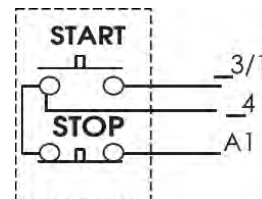
Pilot Devices

2 Wire Control



NOT FOR USE WITH AUTO RESET OL RELAYS

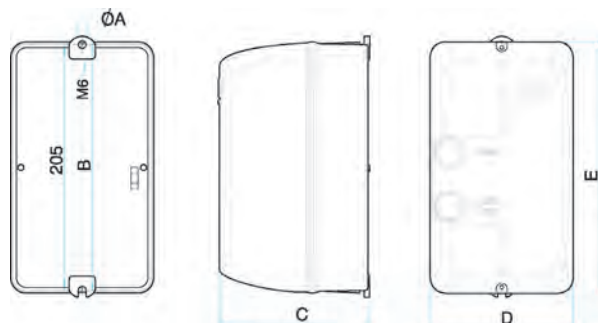
3 Wire Control



DIMENSIONS

SIZE 04 mm(in)	SIZE 06 mm (in)	SIZE 08 mm (in)	SIZE 10 mm (in)
øA = 4.5 (0.2)	øA = 6.5 (0.3)	øA = 6.0 (0.2)	øA = 7.0 (0.3)
B = 180 (7.1)	B = 205 (8.1)	B = 275 (10.8)	B = 355 (14.0)
C = 111 (4.4)	C = 126 (5.0)	C = 143 (5.6)	C = 167 (6.6)
D = 105 (4.1)	D = 120 (4.7)	D = 180 (7.1)	D = 250 (9.9)
E = 185 (7.3)	E = 210 (8.3)	E = 280 (11.0)	E = 360 (14.2)

Provision for cable gland fitting	Standard		
	Top	Bottom	Back
Size 04	2 x 1/2"	2 x 1/2"	ø18mm (0.7in)
Size 06	2 x 1/2" and 3/4"	2 x 1/2" and 3/4"	ø22mm (0.9in)
Size 08	2 x 3/4" and 1"	2 x 3/4" and 1"	-
Size 10	2 x 3/4" and 1"	2 x 3/4" and 1"	-
	1 x 1" and 1 1/4"	1 x 1" and 1 1/4"	-



For wall mounting on starters size 08 and 10, four screws with the following characteristics should be used:

- Pan, dome or rounded shaped head;
- Starter size 08:
 - * Screws size 1/4 (or M6 – ISO Standard);
 - * Dimensions: diameter thread shall be maximum 1/4 in and diameter head shall be maximum 15/64 in.
- Starter size 10:
 - * Screws size 1/2 (or M5 – ISO Standard);
 - * Dimensions: diameter thread shall be maximum 0.236 in and diameter head shall be maximum 0.394 in.

Part Number Composition

Overload Selection Table

Bimetallic Overload Relay								Manual Motor Protector			
Single-Phase		Setting Range (A)		Three-Phase		Setting Range (A)		Three-Phase		Setting Range (A)	
Code	Product	Min.	Max.	Code	Product	Min.	Max.	Code	Product	Min.	Max.
RM01 ¹	RW17-1D2-D004	0.28	0.40	R01 ¹	RW17-1D3-D004	0.28	0.40	D01	MPW25-3-C016	0.10	0.16
RM02 ¹	RW17-1D2-C063	0.40	0.63	R02 ¹	RW17-1D3-C063	0.40	0.63	D02	MPW25-3-C025	0.16	0.25
RM03 ¹	RW17-1D2-D008	0.56	0.80	R03 ¹	RW17-1D3-D008	0.56	0.80	D03	MPW25-3-C040	0.25	0.40
RM04 ¹	RW17-1D2-D012	0.80	1.20	R04 ¹	RW17-1D3-D012	0.80	1.20	D04	MPW25-3-C063	0.40	0.63
RM05 ¹	RW17-1D2-D018	1.20	1.80	R05 ¹	RW17-1D3-D018	1.20	1.80	D05	MPW25-3-U001	0.63	1.00
RM06 ¹	RW17-1D2-D028	1.80	2.80	R06 ¹	RW17-1D3-D028	1.80	2.80	D06	MPW25-3-D016	1.00	1.60
RM07 ¹	RW17-1D2-U004	2.80	4.00	R07 ¹	RW17-1D3-U004	2.80	4.00	D07	MPW25-3-D025	1.60	25.0
RM08 ¹	RW17-1D2-D063	4.00	6.30	R08 ¹	RW17-1D3-D063	4.00	6.00	D08	MPW25-3-U004	2.50	4.00
RM09 ¹	RW17-1D2-U008	5.60	8.00	R09 ¹	RW17-1D3-U008	5.60	8.00	D09	MPW25-3-D063	4.00	6.30
RM10 ¹	RW17-1D2-U010	7.00	10	R10 ¹	RW17-1D3-U010	7.00	10	D10	MPW25-3-U010	6.30	10
RM11 ¹	RW17-1D2-D125	8.00	12	R11 ¹	RW17-1D3-D125	8.00	12	D11	MPW25-3-U016	10	16
RM12 ¹	RW17-1D2-U015	10.0	15	R12 ¹	RW17-1D3-U015	10	15	D12	MPW25-3-U020	16	20
RM13 ¹	RW17-1D2-U017	11.0	17	R13 ¹	RW17-1D3-U017	11	17	D13	MPW25-3-U025	20	25
RM14 ¹	RW17-2D2-U010	7.00	10	R14 ¹	RW17-2D3-U010	7.00	10	D14	MPW25-3-U032	25	32
RM15 ¹	RW17-2D2-D125	8.00	12	R15 ¹	RW17-2D3-D125	8.00	12	D15	MPW65-3-U016	10	16
RM16 ¹	RW17-2D2-U015	10	15	R16 ¹	RW17-2D3-U015	10	15	D16	MPW65-3-U020	16	20
RM17 ¹	RW17-2D2-U017	11	17	R17 ¹	RW17-2D3-U017	11	17	D17	MPW65-3-U025	20	25
RM18 ¹	RW17-2D2-U023	15	23	R18 ¹	RW17-2D3-U023	15	23	D18	MPW65-3-U032	25	32
RM19 ¹	RW17-2D2-U032	22	32	R19 ¹	RW17-2D3-U032	22	32	D19	MPW65-3-U040	32	40
RM20	RW27-1D2-D004	0.28	0.40	R20	RW27-1D3-D004	0.28	0.40	D20	MPW65-3-U050	40	50
RM21	RW27-1D2-C063	0.40	0.63	R21	RW27-1D3-C063	0.40	0.63	D21	MPW65-3-U065	50	65
RM22	RW27-1D2-D008	0.56	0.80	R22	RW27-1D3-D008	0.56	0.80	D22	MPW100-3-U075	55	75
RM23	RW27-1D2-D012	0.80	1.20	R23	RW27-1D3-D012	0.80	1.20	D23	MPW100-3-U090	70	90
RM24	RW27-1D2-D018	1.20	1.80	R24	RW27-1D3-D018	1.20	1.80	D24	MPW100-3-U100	80	100
RM25	RW27-1D2-D028	1.80	2.80	R25	RW27-1D3-D028	1.80	2.80				
RM26	RW27-1D2-U004	2.80	4.00	R26	RW27-1D3-U004	2.80	4.00				
RM27	RW27-1D2-D063	4.00	6.30	R27	RW27-1D3-D063	4.00	6.30				
RM28	RW27-1D2-U008	5.60	8.00	R28	RW27-1D3-U008	5.60	8.00				
RM29	RW27-1D2-U010	7.00	10	R29	RW27-1D3-U010	7.00	10				
RM30	RW27-1D2-D125	8.00	12	R30	RW27-1D3-D125	8.00	12				
RM31	RW27-1D2-U015	10	15	R31	RW27-1D3-U015	10	15				
RM32	RW27-1D2-U017	11	17	R32	RW27-1D3-U017	11	17				
RM33	RW27-1D2-U023	15	23	R33	RW27-1D3-U023	15	23				
RM34	RW27-1D2-U032	22	32	R34	RW27-1D3-U032	22	32				
RM35	RW67-1D2-U040	25	40	R35	RW67-1D3-U040	25	40				
RM36	RW67-2D2-U040	25	40	R37	RW67-1D3-U050	32	50				
RM38	RW67-2D2-U050	32	50	R38	RW67-2D3-U050	32	50				
RM39	RW67-2D2-U057	40	57	R39	RW67-2D3-U057	40	57				
RM40	RW67-2D2-U063	50	63	R40	RW67-2D3-U063	50	63				
RM41	RW67-2D2-U070	57	70	R41	RW67-2D3-U070	57	70				
RM42	RW67-2D2-U080	63	80	R42	RW67-2D3-U080	63	80				
				R43	RW117-1D3-U080	63	80				
				R44	RW117-1D3-U097	75	97				
				R45	RW117-1D3-U112	90	112				
				R46	RW117-2D3-U097	75	97				
				R47	RW117-2D3-U112	90	112				
				R48	RW317-1D3-U150	100	150				
				R49	RW317-1D3-U215	140	215				
				R50	RW317-1D3-U310	200	310				
				R51	RW317-1D3-U420	275	420				
				R54	RW407-1D3-U600	400	600				
				R55	RW407-1D3-U840	560	840				

Notes: 1) Non-stocked item

Variable Frequency Drives and Enclosed Motor Controls

COMBINATION STARTERS



WEG's full voltage non-reversing combination starters represent a competitive alternative to the traditional NEMA starters by offering:

- Reduced overall dimensions, yet providing reasonable internal wiring space
- Rotary through-the-door disconnect instead of the traditional flange operator
- UL/CSA approved performance in more compact components.

Two series are available off the shelf:

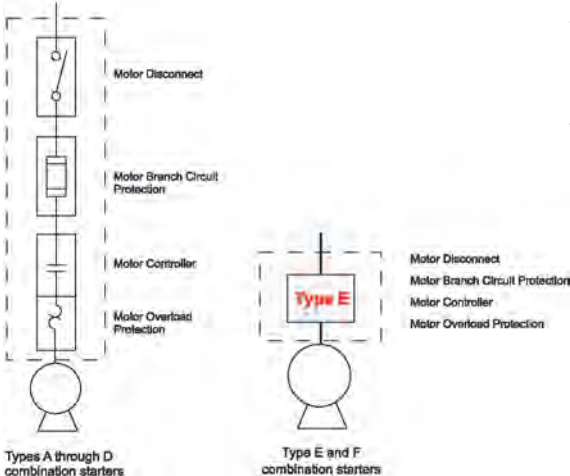
- MCCB disconnect – ESWC Series
- Motor protector – ESWE & ESWF Series

Combination Starter Basics

Combination starters are the most common type of packaged motor controllers. They are called combination because of their construction and combined functions required by the US National Electric Code (NEC): Motor Disconnect, Motor Branch Circuit Protection, Motor Controller and Motor Overload Protection. UL & CSA currently recognizes six different constructions of combination starters that meet the requirements of a motor branch circuit.

Constructions Types A through D are traditional starters that use either a listed disconnect switch and fuses or a listed circuit breaker as the disconnect means and for short circuit protection. Each type uses a separate UL508 listed motor controller and overload relay. Recently revisions on UL508 introduced the Type E and Type F starters.

UL Combination Starter Type	Device Used for Component Function			
	Disconnected	Branch Circuit Protection	Motor Controller	Motor OL Relay
A	UL 98 Manual Disconnect	UL 248 Fuses	UL 508 Magnetic or Solid State Controller	UL 508 Motor Overload Relay
B		UL 508 Motor Short Circuit Protector		
C	UL 489 Inverse Time Circuit Breaker			
D	UL 489 Instantaneous Trip Circuit Breaker			
E	UL 508 Self-Protected Combination Controller			
F	UL 508 Manual Self-Protected Combination Controller	UL 508 Magnetic or Solid State Controller	UL 508 Magnetic or Solid State Controller	UL 508 Manual Self-Protected Combination Controller



Type E starter is a self-protected combination motor controller that combines in a single device all the required functions of a combination starter eliminating any additional requirements for upstream fuses or circuit breaker. Type F starter consists of a listed manual Type E combined with a UL508 listed contactor.

Variable Frequency Drives and Enclosed Motor Controls

Combination Type-C Across The Line Starter

THREE-PHASE without Control Power Transformer

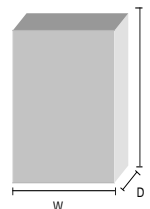
- Branch Disconnect: Rotary through-the-door Handle
- Short-Circuit Protection: Molded Case Circuit Breaker
- Motor Control: Magnetic Contactor
- Overload Protection: Thermal Overload Relay
- Control Devices: Hand-Off-Auto switch, Start- Stop and reset pushbutton
- Other enclosure options available on request

ESWC Series - Combination Type-C Across The Line Starter with no CPT

Max. 3-ph Hp Motors				Overload Setting Range (A)	Control Voltage (1) (Vac)	Metallic Enclosure Type 4/12			Multiplier
200V	230V	460V	575V			Catalog Number	List Price	Box Size	
1-1/2	1 1/2	3	5	4 - 6.3	120	ESWC-25V18N4-R27	\$1,635	C-1	Z3
					208-240	ESWC-25V24N4-R27			
					480	ESWC-25V47N4-R27			
2	2	5	5	5.6 - 8	120	ESWC-25V18N4-R28	\$1,635	C-1	
					208-240	ESWC-25V24N4-R28			
					480	ESWC-25V47N4-R28			
3	3	7 1/2	7.5	8 - 12.5	120	ESWC-25V18N4-R30	\$1,635	C-1	
					208-240	ESWC-25V24N4-R30			
					480	ESWC-25V47N4-R30			
5	5	10	10	11 - 17	120	ESWC-25V18N4-R32	\$1,680	C-1	
					208-240	ESWC-25V24N4-R32			
					480	ESWC-25V47N4-R32			
7 1/2	7 1/2	15	15	15 - 23	120	ESWC-25V18N4-R33	\$1,680	C-1	
					208-240	ESWC-25V24N4-R33			
					480	ESWC-25V47N4-R33			
10	10	20	25	22 - 32	120	ESWC-40V18N4-R34	\$1,765	C-1	
					208-240	ESWC-40V24N4-R34			
					480	ESWC-40V47N4-R34			
10	15	25	25	25 - 40	120	ESWC-40V18N4-R35	\$1,850	C-1	
					208-240	ESWC-40V24N4-R35			
					480	ESWC-40V47N4-R35			
10	15	30	-	32 - 50	120	ESWC-40V18N4-R37	\$1,980	C-1	
					208-240	ESWC-40V24N4-R37			
					480	ESWC-40V47N4-R37			
20	20	40	50	40 - 57	120	ESWC-65V18N4-R39	\$2,070	C-1	
					208-240	ESWC-65V24N4-R39			
					480	ESWC-65V47N4-R39			
20	20	50	-	57 - 70	120	ESWC-65V18N4-R41	\$2,160	C-1	
					208-240	ESWC-65V24N4-R41			
					480	ESWC-65V47N4-R41			
25	30	60	60	63 - 80	120	ESWC-105V18N4-R43	\$2,765	C-1	
					208-240	ESWC-105V24N4-R43			
					480	ESWC-105V47N4-R43			
30	40	75	75	75 - 97	120	ESWC-105V18N4-R44	\$2,800	C-1	
					208-240	ESWC-105V24N4-R44			
					480	ESWC-105V47N4-R44			
40	60	100	125	100 - 150	120	ESWC-150V18N4-R48	\$5,210	C-2	
					208-240	ESWC-150V24N4-R48			
					480	ESWC-150V47N4-R48			
50	60	125	150	140 - 215	120	ESWC-150V18N4-R49	\$5,290	C-2	
					208-240	ESWC-150V24N4-R49			
					480	ESWC-150V47N4-R49			
60	75	150	200	140 - 215	120	ESWC-180V18N4-R49	\$5,530	C-2	
					208-240	ESWC-180V24N4-R49			
					480	ESWC-180V47N4-R49			
75	100	200	250	200 - 310	120	ESWC-300V18N4-R50	\$8,670	C-3	
					208-240	ESWC-300V24N4-R50			
					480	ESWC-300V47N4-R50			
100	125	250	300	275 - 420	120	ESWC-300V18N4-R51	\$9,250	C-3	
					208-240	ESWC-300V24N4-R51			
					480	ESWC-300V47N4-R51			

Notes:

- (1) Please contact your local WEG representative for starters with 575V control voltage.
- (2) 3-phase starters with 120V coil are pre-wired for separate control
- (3) 3-phase starters can be wired for single-phase applications



Box Size	Enclosure Size		
	H	W	D
C-1	24	16	8
C-2	32	24	12
C-3	40	32	12

Variable Frequency Drives and Enclosed Motor Controls

ESWC

ESWC Series - Combination Type-C Across The Line Starter

THREE-PHASE with Control Power Transformer

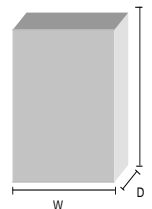
- Branch Disconnect: Rotary through-the-door Handle
- Short-Circuit Protection: Molded Case Circuit Breaker
- Motor Control: Magnetic Contactor
- Overload Protection: Thermal Overload Relay
- Control Devices: Hand-Off-Auto switch, Start-Stop and reset pushbutton
- Other enclosure options available on request

ESWC Series - Combination Type-C Across The Line Starter with CPT

Max. 3-ph Hp Motors				Overload Setting Range (A)	Control Voltage (prim. / sec.) (Vac)	Metallic Enclosure Type 4/12			Multiplier
200V	230V	460V	575V			Catalog Number	List Price	Box Size	
1-1/2	1 1/2	3	5	4 - 6.3	240 / 120	ESWC-25T02N4-R27	\$1,835	C-1	Z3
					480 / 120	ESWC-25T04N4-R27			
					575 / 120	ESWC-25T05N4-R27			
2	2	5	5	5.6 - 8	240 / 120	ESWC-25T02N4-R28	\$1,835	C-1	
					480 / 120	ESWC-25T04N4-R28			
					575 / 120	ESWC-25T05N4-R28			
3	3	7 1/2	7.5	8 - 12.5	240 / 120	ESWC-25T02N4-R30	\$1,835	C-1	
					480 / 120	ESWC-25T04N4-R30			
					575 / 120	ESWC-25T05N4-R30			
5	5	10	10	11 - 17	240 / 120	ESWC-25T02N4-R32	\$1,880	C-1	
					480 / 120	ESWC-25T04N4-R32			
					575 / 120	ESWC-25T05N4-R32			
7 1/2	7 1/2	15	15	15 - 23	240 / 120	ESWC-25T02N4-R33	\$1,880	C-1	
					480 / 120	ESWC-25T04N4-R33			
					575 / 120	ESWC-25T05N4-R33			
10	10	20	25	22 - 32	240 / 120	ESWC-40T02N4-R34	\$1,965	C-1	
					480 / 120	ESWC-40T04N4-R34			
					575 / 120	ESWC-40T05N4-R34			
10	15	25	25	25 - 40	240 / 120	ESWC-40T02N4-R35	\$2,050	C-1	
					480 / 120	ESWC-40T04N4-R35			
					575 / 120	ESWC-40T05N4-R35			
10	15	30	-	32 - 50	240 / 120	ESWC-40T02N4-R37	\$2,180	C-1	
					480 / 120	ESWC-40T04N4-R37			
					575 / 120	ESWC-40T05N4-R37			
20	20	40	50	40 - 57	240 / 120	ESWC-65T02N4-R39	\$2,320	C-1	
					480 / 120	ESWC-65T04N4-R39			
					575 / 120	ESWC-65T05N4-R39			
20	20	50	-	57 - 70	240 / 120	ESWC-65T02N4-R41	\$2,410	C-1	
					480 / 120	ESWC-65T04N4-R41			
					575 / 120	ESWC-65T05N4-R41			
25	30	60	60	63 - 80	240 / 120	ESWC-105T02N4-R43	\$3,015	C-1	
					480 / 120	ESWC-105T04N4-R43			
					575 / 120	ESWC-105T05N4-R43			
30	-	75	75	75 - 97	240 / 120	ESWC-105T02N4-R44	\$3,050	C-1	
					480 / 120	ESWC-105T04N4-R44			
					575 / 120	ESWC-105T05N4-R44			
40	60	100	125	100 - 150	240 / 120	ESWC-150T02N4-R48	\$5,610	C-2	
					480 / 120	ESWC-150T04N4-R48			
					575 / 120	ESWC-150T05N4-R48			
50	60	125	150	140 - 215	240 / 120	ESWC-150T02N4-R49	\$5,690	C-2	
					480 / 120	ESWC-150T04N4-R49			
					575 / 120	ESWC-150T05N4-R49			
60	75	150	200	140 - 215	240 / 120	ESWC-180T02N4-R49	\$5,930	C-2	
					480 / 120	ESWC-180T04N4-R49			
					575 / 120	ESWC-180T05N4-R49			
75	100	200	250	200 - 310	240 / 120	ESWC-300T02N4-R50	\$9,070	C-3	
					480 / 120	ESWC-300T04N4-R50			
					575 / 120	ESWC-300T05N4-R50			
100	125	250	300	275 - 420	240 / 120	ESWC-300T02N4-R51	\$9,650	C-3	
					480 / 120	ESWC-300T04N4-R51			
					575 / 120	ESWC-300T05N4-R51			

Notes:

- (1) Please contact your local WEG representative for starters with other control voltage.
- (2) 3-phase starters can be wired for single-phase applications



Dimensions (inches)			
Box Size	Enclosure Size		
	H	W	D
C-1	24	16	8
C-2	32	24	12
C-3	40	32	12

Variable Frequency Drives and Enclosed Motor Controls

Combination Type-E Across The Line Starter

- Branch Disconnect: Rotary through-the-door Handle
- Short-Circuit Protection: Manual Motor Protection
- Motor Control: Magnetic Contactor
- Overload Protection: Manual Motor Protection
- Control Devices: Hand-Off-Auto switch, Start-Stop pushbutton, pilot lights
- Other enclosure options available upon request

Three-Phase without CPT - Enclosure Type-4X

Combination Type-E Across The Line Starter

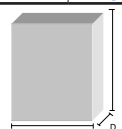
Max. 3-ph Hp Motors				Overload Setting Range (A)	Control Voltage (1) (Vac)	Non-Metallic Enclosure Type 4X			Multiplier
200V	230V	460V	575V			Catalog Number	List Price	Box Size	
-	-	1/2	1/2	0.63 - 1.0	120	ESWE-9V18KX-D05	\$855	E-1	Z3
					480	ESWE-9V47KX-D05			
1/4	1/3	3/4	1	1.0 - 1.6	120	ESWE-9V18KX-D06	\$855	E-1	
					208-240	ESWE-9V24KX-D06			
					480	ESWE-9V47KX-D06			
					120	ESWE-9V18KX-D07			
1/2	1/2	1-1/2	1-1/2	1.6 - 2.5	208-240	ESWE-9V24KX-D07	\$855	E-1	
					480	ESWE-9V47KX-D07			
					120	ESWE-9V18KX-D08			
					208-240	ESWE-9V24KX-D08			
3/4	1	2	3	2.5 - 4.0	480	ESWE-9V47KX-D08	\$855	E-1	
					120	ESWE-9V18KX-D09			
1-1/2	1-1/2	3	5	4.0 - 6.3	208-240	ESWE-9V24KX-D09	\$855	E-1	
					480	ESWE-9V47KX-D09			
					120	ESWE-9V18KX-D10			
					208-240	ESWE-9V24KX-D10			
3	3	5	7-1/2	6.3 - 10	480	ESWE-9V47KX-D10	\$865	E-1	
					120	ESWE-18V18KX-D11			
5	5	10	15	10 - 16	208-240	ESWE-18V24KX-D11	\$875	E-1	
					480	ESWE-18V47KX-D11			
7-1/2	7-1/2	15	15	16 - 20	120	ESWE-25V18KX-D12	\$900	E-1	
					208-240	ESWE-25V24KX-D12			
					480	ESWE-25V47KX-D12			
					120	ESWE-40V18KX-D14			
10	10	20	25	25 - 32	208-240	ESWE-40V24KX-D14	\$990	E-1	
					480	ESWE-40V47KX-D14			

Three-Phase with CPT - Enclosure Type-4X

Max. 3-ph Hp Motors				Overload Setting Range (A)	Control Voltage (prim. / sec.) (Vac)	Non-Metallic Enclosure Type 4X			Multiplier
200V	230V	460V	575V			Catalog Number	List Price	Box Size	
-	-	1/2	1/2	0.63 - 1.0	480 / 120	ESWE-9T04KX-D05	\$1,140	E-1	Z3
					575 / 120	ESWE-9T05KX-D05			
1/4	1/3	3/4	1	1.0 - 1.6	240 / 120	ESWE-9T02KX-D06	\$1,140	E-1	
					480 / 120	ESWE-9T04KX-D06			
					575 / 120	ESWE-9T05KX-D06			
					240 / 120	ESWE-9T02KX-D07			
1/2	1/2	1-1/2	1-1/2	1.6 - 2.5	480 / 120	ESWE-9T04KX-D07	\$1,140	E-1	
					575 / 120	ESWE-9T05KX-D07			
					240 / 120	ESWE-9T02KX-D08			
					480 / 120	ESWE-9T04KX-D08			
3/4	1	2	3	2.5 - 4.0	575 / 120	ESWE-9T05KX-D08	\$1,140	E-1	
					240 / 120	ESWE-9T02KX-D09			
1-1/2	1-1/2	3	5	4.0 - 6.3	480 / 120	ESWE-9T04KX-D09	\$1,140	E-1	
					575 / 120	ESWE-9T05KX-D09			
					240 / 120	ESWE-9T02KX-D10			
					480 / 120	ESWE-9T04KX-D10			
3	3	5	7-1/2	6.3 - 10	575 / 120	ESWE-9T05KX-D10	\$1,140	E-1	
					240 / 120	ESWE-18T02KX-D11			
5	5	10	15	10 - 16	480 / 120	ESWE-18T04KX-D11	\$1,155	E-1	
					575 / 120	ESWE-18T05KX-D11			
7-1/2	7-1/2	15	15	16 - 20	240 / 120	ESWE-25T02KX-D12	\$1,175	E-1	
					480 / 120	ESWE-25T04KX-D12			
					575 / 120	ESWE-25T05KX-D12			
					240 / 120	ESWE-40T02KX-D14			
10	10	20	25	25 - 32	480 / 120	ESWE-40T04KX-D14	\$1,260	E-1	
					575 / 120	ESWE-40T05KX-D14			

Notes:

- (1) Please contact your local WEG representative for starters with 575V control voltage.
- (2) 3-phase starters with 120V coil are pre-wired for separate control
- (3) 3-phase starters can be wired for single-phase applications



Dimensions (inches)			
Box Size	Enclosure Size		
	H	W	D
E-1	14.2	9.9	6.6

Variable Frequency Drives and Enclosed Motor Controls

ESWF

Combination Type-F Across The Line Starter

THREE-PHASE without Control Power Transformer

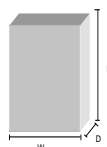
- Branch Disconnect: Rotary through-the-door Handle
- Short-Circuit Protection: Manual Motor Protection
- Motor Control: Magnetic Contactor
- Overload Protection: Manual Motor Protection
- Control Devices: Hand-Off-Auto switch, Start-Stop pushbutton
- Other enclosure options available upon request

Combination Type-F Across The Line Starter with no CPT

Max. 3-ph Hp Motors				Overload Setting Range (A)	Control Voltage (1) (Vac)	Metallic Enclosure Type 4/12			Multiplier
200V	230V	460V	575V			Catalog Number	List Price	Box Size	
-	-	1/2	1/2	0.63 - 1.0	120	ESWF-9V18N4-D05	\$1,225	F-1	Z3
					480	ESWF-9V47N4-D05			
1/4	1/3	3/4	1	1.0 - 1.6	120	ESWF-9V18N4-D06	\$1,225	F-1	
					208-240	ESWF-9V24N4-D06			
					480	ESWF-9V47N4-D06			
1/2	1/2	1-1/2	1-1/2	1.6 - 2.5	120	ESWF-9V18N4-D07	\$1,225	F-1	
					208-240	ESWF-9V24N4-D07			
					480	ESWF-9V47N4-D07			
3/4	1	2	3	2.5 - 4.0	120	ESWF-9V18N4-D08	\$1,225	F-1	
					208-240	ESWF-9V24N4-D08			
					480	ESWF-9V47N4-D08			
1-1/2	1-1/2	3	5	4.0 - 6.3	120	ESWF-9V18N4-D09	\$1,225	F-1	
					208-240	ESWF-9V24N4-D09			
					480	ESWF-9V47N4-D09			
3	3	5	7 1/2	6.3 - 10	120	ESWF-9V18N4-D10	\$1,225	F-1	
					208-240	ESWF-9V24N4-D10			
					480	ESWF-9V47N4-D10			
5	5	10	15	10 - 16	120	ESWF-18V18N4-D11	\$1,300	F-1	
					208-240	ESWF-18V24N4-D11			
					480	ESWF-18V47N4-D11			
7-1/2	7-1/2	15	15	16 - 20	120	ESWF-25V18N4-D12	\$1,390	F-2	
					208-240	ESWF-25V24N4-D12			
					480	ESWF-25V47N4-D12			
10	10	20	25	25 - 32	120	ESWF-40V18N4-D14	\$1,470	F-2	
					208-240	ESWF-40V24N4-D14			
					480	ESWF-40V47N4-D14			
-	15	25	30	32 - 40	120	ESWF-50V18N4-D19	\$1,840	F-3	
					208-240	ESWF-50V24N4-D19			
					480	ESWF-50V47N4-D19			
15	15	30	40	40 - 50	120	ESWF-65V18N4-D20	\$1,920	F-3	
					208-240	ESWF-65V24N4-D20			
					480	ESWF-65V47N4-D20			
20	20	40	60	50 - 65	120	ESWF-80V18N4-D21	\$2,010	F-4	
					208-240	ESWF-80V24N4-D21			
					480	ESWF-80V47N4-D21			
20	25	50	60	55 - 75	120	ESWF-95V18N4-D22	\$2,150	F-4	
					208-240	ESWF-95V24N4-D22			
					480	ESWF-95V47N4-D22			
25	30	60	75	70 - 90	120	ESWF-95V18N4-D23	\$2,265	F-4	
					208-240	ESWF-95V24N4-D23			
					480	ESWF-95V47N4-D23			
30	30	75	100	80 - 100	120	ESWF-105V18N4-D24	\$2,435	F-4	
					208-240	ESWF-105V24N4-D24			
					480	ESWF-105V47N4-D24			

Notes:

- (1) Please contact your local WEG representative for starters with 575V control voltage.
- (2) 3-phase starters with 120V coil are pre-wired for separate control
- (3) 3-phase starters can be wired for single-phase applications



Dimensions (inches)			
Box Size	Enclosure Size		
	H	W	D
F-1	12	12	8
F-2	14	12	8
F-3	16	12	8
F-4	20	16	8

Variable
Frequency
Drives and
Enclosed Motor
Controls

Combination Type-F Across The Line Starter

THREE-PHASE with Control Power Transformer

- Branch Disconnect: Rotary through-the-door Handle
- Short-Circuit Protection: Manual Motor Protection
- Motor Control: Magnetic Contactor
- Overload Protection: Manual Motor Protection
- Control Devices: Hand-Off-Auto switch, Start-Stop pushbutton, control transformer
- Other enclosure options available upon request

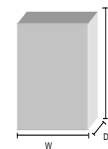
ESWF Series - Combination Type-F Across The Line Starter with CPT

Max. 3-ph Hp Motors				Overload Setting Range (A)	Control Voltage (Vac)	Metallic Enclosure Type 4/12			Multiplier
200V	230V	460V	575V			Catalog Number	List Price	Box Size	
-	-	1/2	1/2	0.63 - 1.0	480 / 120	ESWF-9T04N4-D05	\$1,325	F-1	Z3
					575 / 120	ESWF-9T05N4-D05			
1/4	1/3	3/4	1	1.0 - 1.6	240 / 120	ESWF-9T02N4-D06	\$1,325	F-1	
					480 / 120	ESWF-9T04N4-D06			
1/2	1/2	1-1/2	1-1/2	1.6 - 2.5	575 / 120	ESWF-9T05N4-D06	\$1,325	F-1	
					240 / 120	ESWF-9T02N4-D07			
1/2	1/2	1-1/2	1-1/2	1.6 - 2.5	480 / 120	ESWF-9T04N4-D07	\$1,325	F-1	
					575 / 120	ESWF-9T05N4-D07			
3/4	1	2	3	2.5 - 4.0	240 / 120	ESWF-9T02N4-D08	\$1,325	F-1	
					480 / 120	ESWF-9T04N4-D08			
3/4	1	2	3	2.5 - 4.0	575 / 120	ESWF-9T05N4-D08	\$1,325	F-1	
					240 / 120	ESWF-9T02N4-D09			
1	1	3	5	4.0 - 6.3	480 / 120	ESWF-9T04N4-D09	\$1,325	F-1	
					575 / 120	ESWF-9T05N4-D09			
1	1/2	3	5	4.0 - 6.3	240 / 120	ESWF-9T02N4-D10	\$1,325	F-1	
					480 / 120	ESWF-9T04N4-D10			
3	3	5	7 1/2	6.3 - 10	575 / 120	ESWF-9T05N4-D10	\$1,325	F-1	
					240 / 120	ESWF-9T02N4-D11			
5	5	10	15	10 - 16	480 / 120	ESWF-18T04N4-D11	\$1,400	F-1	
					575 / 120	ESWF-18T05N4-D11			
7-1/2	7 1/2	15	15	16 - 20	240 / 120	ESWF-25T02N4-D12	\$1,490	F-2	
					480 / 120	ESWF-25T04N4-D12			
7-1/2	7 1/2	15	15	16 - 20	575 / 120	ESWF-25T05N4-D12	\$1,490	F-2	
					240 / 120	ESWF-40T02N4-D14			
10	10	20	25	25 - 32	480 / 120	ESWF-40T04N4-D14	\$1,620	F-2	
					575 / 120	ESWF-40T05N4-D14			
-	15	25	30	32 - 40	240 / 120	ESWF-50T02N4-D14	\$1,990	F-3	
					480 / 120	ESWF-50T04N4-D19			
-	15	25	30	32 - 40	575 / 120	ESWF-50T05N4-D19	\$1,990	F-3	
					240 / 120	ESWF-65T02N4-D20			
15	15	30	40	40 - 50	480 / 120	ESWF-65T04N4-D20	\$2,120	F-3	
					575 / 120	ESWF-65T05N4-D20			
20	20	40	60	50 - 65	240 / 120	ESWF-80T02N4-D21	\$2,210	F-4	
					480 / 120	ESWF-80T04N4-D21			
20	20	40	60	50 - 65	575 / 120	ESWF-80T05N4-D21	\$2,210	F-4	
					240 / 120	ESWF-95T02N4-D22			
20	25	50	60	55 - 75	480 / 120	ESWF-95T04N4-D22	\$2,350	F-4	
					575 / 120	ESWF-95T05N4-D22			
20	25	50	60	55 - 75	240 / 120	ESWF-95T02N4-D23	\$2,465	F-4	
					480 / 120	ESWF-95T04N4-D23			
25	30	60	75	70 - 90	575 / 120	ESWF-95T05N4-D23	\$2,465	F-4	
					240 / 120	ESWF-105T02N4-D24			
25	30	60	75	70 - 90	480 / 120	ESWF-95T04N4-D23	\$2,465	F-4	
					575 / 120	ESWF-95T05N4-D23			
30	30	75	100	80 - 100	240 / 120	ESWF-105T02N4-D24	\$2,635	F-4	
					480 / 120	ESWF-105T04N4-D24			
30	30	75	100	80 - 100	575 / 120	ESWF-105T05N4-D24	\$2,635	F-4	

Notes:

- (1) Please contact your local WEG representative for starters with other control voltage.
- (2) 3-phase starters can be wired for single-phase applications

Dimensions (inches)			
Box Size	Enclosure Size		
	H	W	D
F-1	12	12	8
F-2	14	12	8
F-3	16	12	8
F-4	20	16	8



Variable Frequency Drives and Enclosed Motor Controls

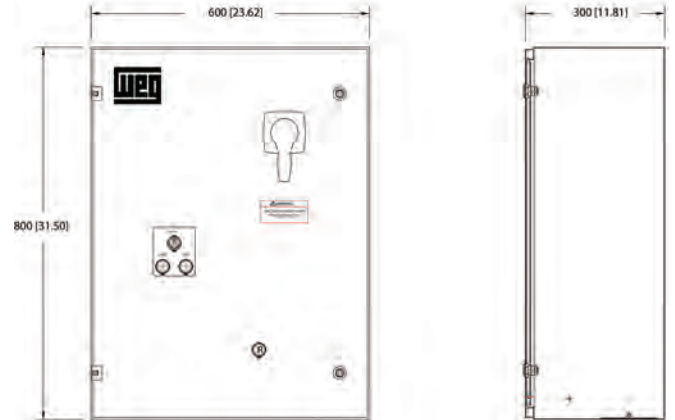
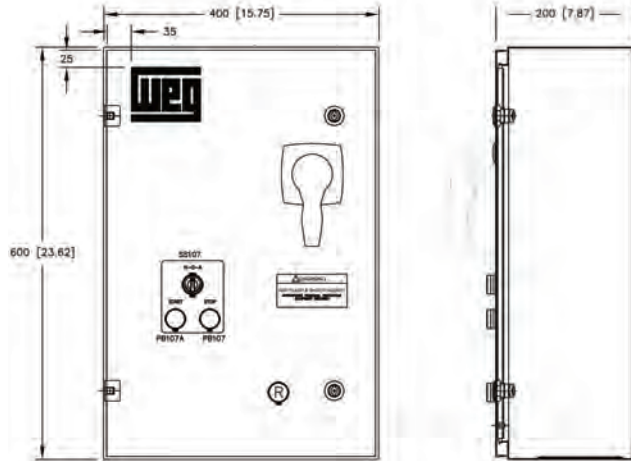
ESWC

Dimensions (in) - ESWC Series
Type 4 / 12 - Metallic Enclosure

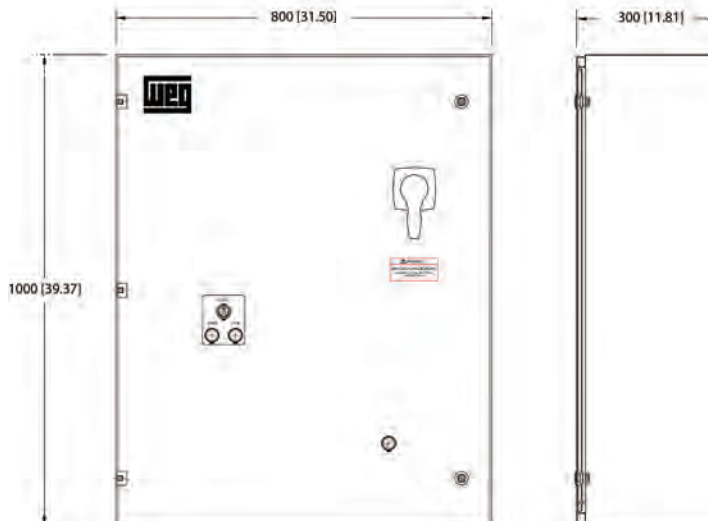
Size C-1



Size C-2



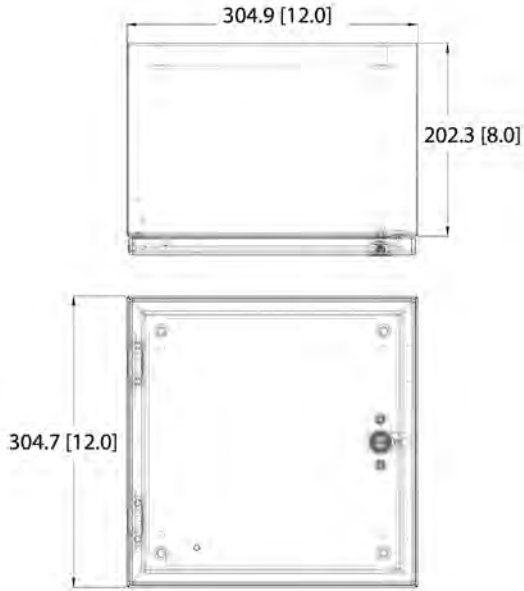
Size C-3



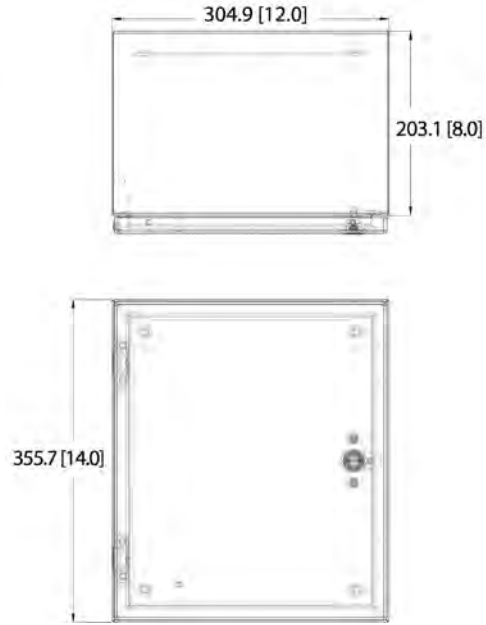
Variable
Frequency
Drives and
Enclosed Motor
Controls

Dimensions (in) – ESWF SERIES Type 4 / 12 – Metallic Enclosure

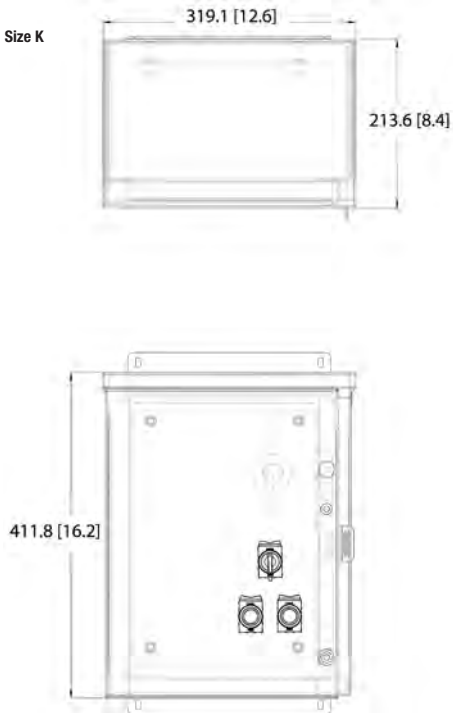
Size GX



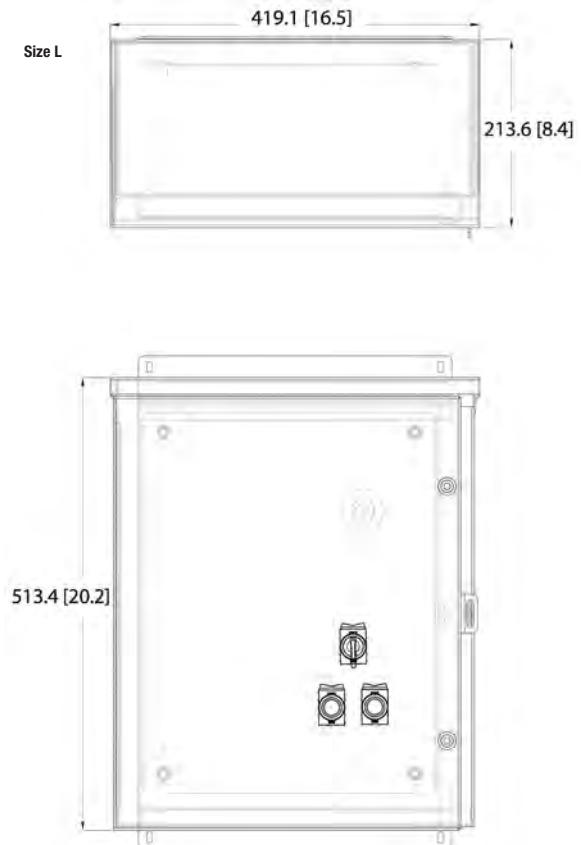
Size I



Size K



Size L



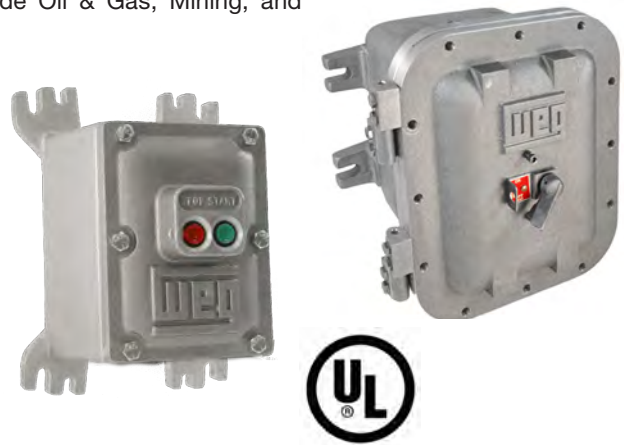
ESWX

Motor Control for Hazardous Areas: Class I, Groups C & D - Class II, Groups E, F, G

WEG Explosion Proof Motors Starters are the perfect compliment for motor control in Hazardous and Industrial environments. Applications include Oil & Gas, Mining, and Chemical Processing industries.

ESWX-M Series - Enclosed Manual Motor Starters

- High short-circuit interrupting rating – up to 50kA @ 480V
- Thermal overload protection Class 10
- Phase loss sensitivity protection
- Ambient temperature compensation -4°F +140°F (-20°C +60°C)
- Lockable rotary handle mechanism for disconnect
- Snap-in accessories
- Finger safe protected terminals
- Test trip feature
- Manual Motor Starters
- Suitable for motor disconnect applications
- UL Type-E self protected combination starter (available on request)



ESWX Series - Enclosed Starters

- Copper free aluminum alloy body
- Bolted flange design
- Durable cast on lugs
- Watertight 'O' Rings for NEMA 4 applications
- Hinged door for easier access
- NEMA 7 / 9 housing
- Class I, Groups C & D - Class II, Groups E, F, G
- Starter includes contactor plus overload relay
- Start Stop Reset buttons (Standard)
- HOA or Pilot Light (optional)
- Available up to 75 hp @ 460 Vac – 100 amps
- NEMA rated starters available from size 00 to size 3 on request



Custom units also available on request.

Variable
Frequency
Drives and
Enclosed Motor
Controls

Motor Control for Hazardous Areas: Class I, Groups C & D - Class II, Groups E, F, G

WEG Explosion Proof Motors Starters are the perfect compliment for motor control in Hazardous and Industrial environments. Applications include Oil & Gas, Mining, and Chemical Processing industries.

Enclosure Specifications

- Versatile mounting format
- Corrosion resistant, copper free aluminum alloy body
- Bolted flange design
- Durable cast on lugs
- Watertight 'O' Rings for NEMA 4X applications
- Lockout device on cover
- Rotary Handle units include hinged door for easier access
- NEMA 4X / 7 / 9 housing
- ON/OFF - Rotary Handle or Start/Stop - Push buttons
- Rotary Lockable handle
- Available up to 75 hp @ 460 Vac – 100 amps



Explosion Proof Manual Motor Starters ESWX-M16 Series

- Versatile mounting
- NEMA 4X / 7 / 9 housing
- Start & Stop /Reset pushbuttons
- Lockable in OFF position
- Available up to 10 hp @ 460 Vac – 16 amps



ESWX-M16 - PRODUCT SELECTION

Max 3 Phase UL HP			Thermal Setting	Short-Circuit interruption capacity		Catalog Number	List Price	Multiplier
Three Phase				[A]	480 Vac			
230V	460V	575V						
-	1/2	1/2	0.63 - 1.0	50kA	10kA	ESWX-M16A79-U001	\$1,505	Z33
-	3/4	3/4	1.0 - 1.6	50kA	10kA	ESWX-M16A79-D016	\$1,505	
1/2	1	1 1/2	1.6 - 2.5	50kA	10kA	ESWX-M16A79-D025	\$1,505	
3/4	2	3	2.5 - 4.0	50kA	10kA	ESWX-M16A79-U004	\$1,505	
1 1/2	3	5	4.0 - 6.3	50kA	10kA	ESWX-M16A79-D063	\$1,505	
3	5	7 1/2	6.3 - 10	50kA	5kA	ESWX-M16A79-U010	\$1,505	
5	10	10	10 - 16	30kA	5kA	ESWX-M16A79-U016	\$1,505	

Variable Frequency Drives and Enclosed Motor Controls

ESWX M25 Series

- NEMA 4X / 7 / 9 housing
- Hinged Cover for easy access
- ON / OFF – Rotary Handle
- Lockable in OFF position
- Available up to 20 hp @ 460 Vac– 32 amps



ESWX-M25 - PRODUCT SELECTION

Max 3 Phase UL HP			Thermal Setting [A]	Short-Circuit interruption capacity		Catalog Number	List Price	Multiplier
Three Phase				480 Vac	600 Vac			
230V	460V	575V						
-	1/2	1/2	0.63 - 1.0	50kA	25kA	ESWX-M25R79-U001	\$2,200	Z33
-	3/4	3/4	1.0 - 1.6	50kA	25kA	ESWX-M25R79-D016	\$2,200	
1/2	1	1 1/2	1.6 - 2.5	50kA	25kA	ESWX-M25R79-D025	\$2,200	
3/4	2	3	2.5 - 4.0	50kA	25kA	ESWX-M25R79-U004	\$2,200	
1 1/2	3	5	4.0 - 6.3	50kA	25kA	ESWX-M25R79-D063	\$2,200	
3	5	7 1/2	6.3 - 10	50kA	25kA	ESWX-M25R79-U010	\$2,200	
5	10	15	10 - 16	50kA	25kA	ESWX-M25R79-U016	\$2,200	
7 1/2	15	15	16 - 20	50kA	25kA	ESWX-M25R79-U020	\$2,200	
7 1/2	15	20	20 - 25	50kA	25kA	ESWX-M25R79-U025	\$2,200	
10	20	25	25 - 32	42kA	25kA	ESWX-M25R79-U032	\$2,200	

ESWX-M65 Series

- NEMA 4X / 7 / 9 housing
- Hinged Cover for easy access
- ON / OFF – Rotary Handle
- Lockable in OFF position
- Available up to 50 hp @ 460 Vac – 65 amps

ESWX-M65 - PRODUCT SELECTION

Max 3 Phase UL HP			Thermal Setting [A]	Short-Circuit interruption capacity		Catalog Number	List Price	Multiplier
Three Phase				480 Vac	600 Vac			
230V	460V	575V						
15	25	30	32 - 40	35kA	10kA	ESWX-M65R79-U040	\$2,600	Z33
15	30	40	40 - 50	35kA	10kA	ESWX-M65R79-U050	\$2,600	
20	50	60	50 - 65	35kA	10kA	ESWX-M65R79-U065	\$2,600	

ESWX-M100 Series

- NEMA 4X / 7 / 9 housing
- Hinged Cover for easy access
- ON / OFF – Rotary Handle
- Lockable in OFF position
- Available up to 75 hp @ 460 Vac – 100 amps

ESWX-M100 - PRODUCT SELECTION

Max 3 Phase UL HP			Thermal Setting [A]	Short-Circuit interruption capacity		Catalog Number	List Price	Multiplier
Three Phase				480 Vac	600 Vac			
230V	460V	575V						
25	50	60	55 - 75	50kA	10kA	ESWX-M100R79-U075	\$3,350	Z33
30	60	75	70 - 90	50kA	10kA	ESWX-M100R79-U090	\$3,350	
30	75	100	80 - 100	50kA	10kA	ESWX-M100R79-U100	\$3,350	

Variable
Frequency
Drives and
Enclosed Motor
Controls

ACCESSORIES FOR MPW18 / 40 / 65 - Summary

Description	Catalog Number	List Price	Multiplier
Auxiliary Contact Blocks			
1NO&1NC auxiliary contact block front mounting - 250Vmax.	ACBF-11	\$20	Z4
1NO&1NC auxiliary contact block left side mounting - 600Vmax.	ACBS-11	\$22	
2NO Auxiliary contact block left side mounting - 600Vmax.	ACBS-20	\$22	
2NC Auxiliary contact block left side mounting - 600Vmax.	ACBS-02	\$22	
Under Voltage and Shunt Block Releases			
Shunt release block right side mounting - 20-24V 50/60Hz	SRMP D51	\$56	Z4
Shunt release block right side mounting - 100-127V 50/60Hz	SRMP D59	\$56	
Shunt release block right side mounting - 200-240V 50/60Hz	SRMP D65	\$56	
Under voltage release block right side mounting - 24V 60Hz	URMP D02	\$56	
Under voltage release block right side mounting - 120V 60Hz	URMP V18	\$56	
Under voltage release block right side mounting - 208V 60Hz	URMP V23	\$56	
Under voltage release block right side mounting - 240V 60Hz	URMP V30	\$56	
Under voltage release block right side mounting - 480V 60Hz	URMP V47	\$56	

ACCESSORIES FOR MPW100 - Summary

Description	Catalog Number	List Price	Multiplier
Auxiliary Contact Blocks			
1NO&1NC auxiliary contact block front mounting - 250Vmax.	ACBF-11 MPW100	\$35	Z4
1NO&1NC auxiliary contact block left side mounting - 600Vmax.	ACBS-11 MPW100	\$27	
2NO Auxiliary contact block left side mounting - 600Vmax.	ACBS-20 MPW100	\$27	
2NC Auxiliary contact block left side mounting - 600Vmax.	ACBS-02 MPW100	\$27	
Under Voltage and Shunt Block Releases			
Shunt release block right side mounting - 120V 50/60Hz	SRMP V18 MPW100	\$56	Z4
Shunt release block right side mounting - 240-260V 60Hz	SRMP V33 MPW100	\$56	
Under voltage release block right side mounting - 120V 60Hz	URMP V18 MPW100	\$56	
Under voltage release block right side mounting - 240V 60Hz	URMP V33 MPW100	\$56	
Under voltage release block right side mounting - 460V 60Hz	URMP V43 MPW100	\$56	

ESWX

NEMA 7/9 Enclosure – Three Phase

- Motor Control: Magnetic Contactor
- Overload Protection: Thermal Overload Relay
- Control Devices: START STOP RESET Pusbuttons
 - H.O.A. and Pilot Lights available on request
- Cast Aluminum NEMA 7/9 housing with NEMA 4 gasket
 - Breather & Drain available on request



ESWX Series - Non-combination Across The Line Starter for use in Hazardous Areas
ENCLOSURE TYPE NEMA 7/9

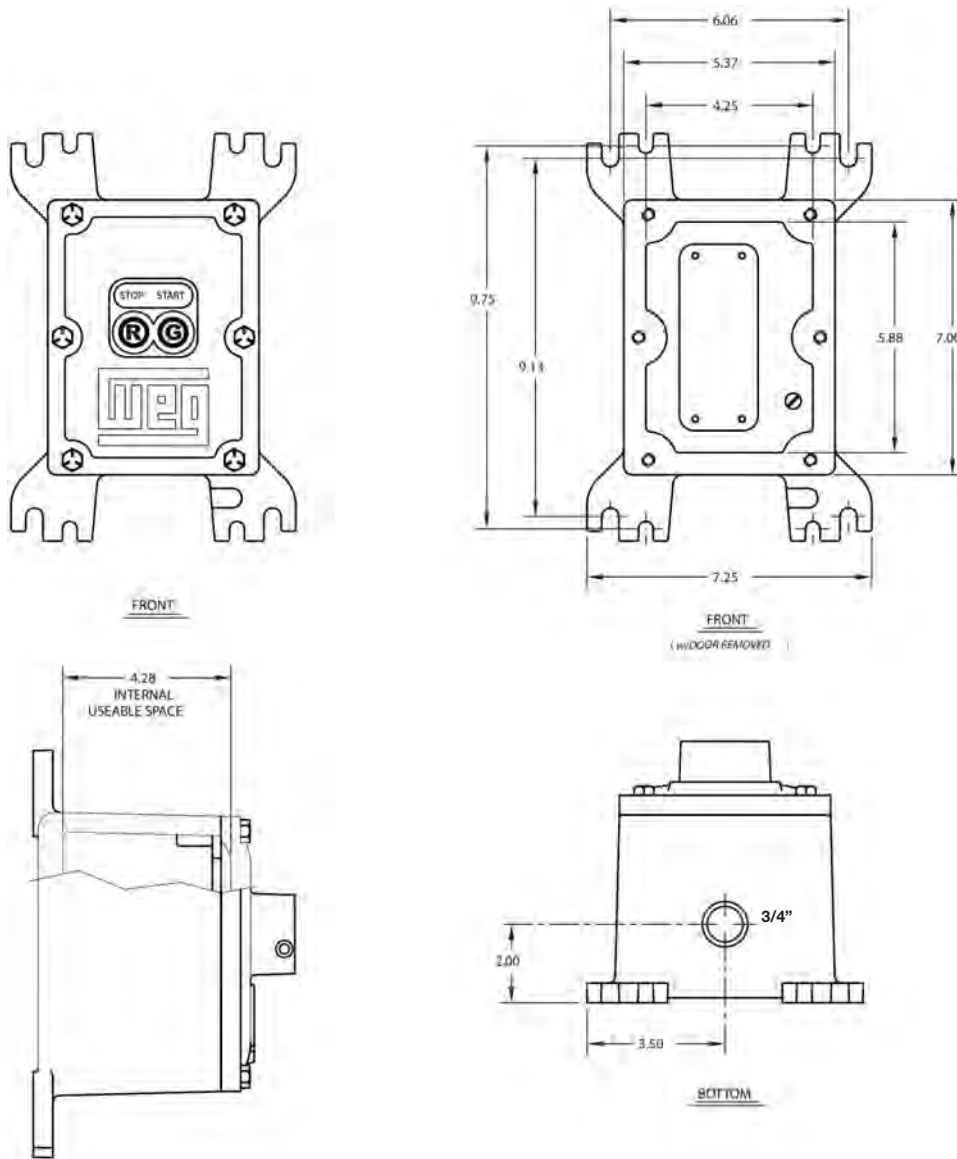
Max. UL 3 Phase Horsepower				Box	Setting Range	Coil Voltage	RESET only		START + STOP + RESET		Multiplier
200V	230V	460V	575V				Catalog Number	List Price	Catalog Number	List Price	
-	1/3	1/2	-	X04	0.8 - 1.2	120	ESWX-25V18E79-R23	\$3,250	ESWX-25V18A79-R23	\$3,850	Z33
						208-240	ESWX-25V24E79-R23		ESWX-25V24A79-R23		
						480	ESWX-25V47E79-R23		ESWX-25V47A79-R23		
-	-	1	1	X04	1.2 - 1.8	120	ESWX-25V18E79-R24	\$3,250	ESWX-25V18A79-R24	\$3,850	
						208-240	ESWX-25V24E79-R24		ESWX-25V24A79-R24		
						480	ESWX-25V47E79-R24		ESWX-25V47A79-R24		
1/2	3/4	1-1/2	2	X04	1.8 - 2.8	120	ESWX-25V18E79-R25	\$3,250	ESWX-25V18A79-R25	\$3,850	
						208-240	ESWX-25V24E79-R25		ESWX-25V24A79-R25		
						480	ESWX-25V47E79-R25		ESWX-25V47A79-R25		
1	1	2	3	X04	2.8 - 4.0	120	ESWX-25V18E79-R26	\$3,250	ESWX-25V18A79-R26	\$3,850	
						208-240	ESWX-25V24E79-R26		ESWX-25V24A79-R26		
						480	ESWX-25V47E79-R26		ESWX-25V47A79-R26		
1-1/2	1-1/2	3	5	X04	4.0 - 6.3	120	ESWX-25V18E79-R27	\$3,250	ESWX-25V18A79-R27	\$3,850	
						208-240	ESWX-25V24E79-R27		ESWX-25V24A79-R27		
						480	ESWX-25V47E79-R27		ESWX-25V47A79-R27		
2	2	5	-	X04	5.6 - 8.0	120	ESWX-25V18E79-R28	\$3,250	ESWX-25V18A79-R28	\$3,850	
						208-240	ESWX-25V24E79-R28		ESWX-25V24A79-R28		
						480	ESWX-25V47E79-R28		ESWX-25V47A79-R28		
3	3	-	7-1/2	X04	7.0 - 10	120	ESWX-25V18E79-R29	\$3,250	ESWX-25V18A79-R29	\$3,850	
						208-240	ESWX-25V24E79-R29		ESWX-25V24A79-R29		
						480	ESWX-25V47E79-R29		ESWX-25V47A79-R29		
-	-	7-1/2	10	X04	8.0 - 12.5	120	ESWX-25V18E79-R30	\$3,250	ESWX-25V18A79-R30	\$3,850	
						208-240	ESWX-25V24E79-R30		ESWX-25V24A79-R30		
						480	ESWX-25V47E79-R30		ESWX-25V47A79-R30		
5	5	10	15	X04	11 - 17	120	ESWX-25V18E79-R32	\$3,250	ESWX-25V18A79-R32	\$3,850	
						208-240	ESWX-25V24E79-R32		ESWX-25V24A79-R32		
						480	ESWX-25V47E79-R32		ESWX-25V47A79-R32		
7-1/2	7-1/2	15	-	X04	15 - 23	120	ESWX-25V18E79-R33	\$3,250	ESWX-25V18A79-R33	\$3,850	
						208-240	ESWX-25V24E79-R33		ESWX-25V24A79-R33		
						480	ESWX-25V47E79-R33		ESWX-25V47A79-R33		
10	10	20	25	X04	22 - 32	120	ESWX-40V18E79-R34	\$3,300	ESWX-40V18A79-R34	\$3,950	
						208-240	ESWX-40V24E79-R34		ESWX-40V24A79-R34		
						480	ESWX-40V47E79-R34		ESWX-40V47A79-R34		
10	15	30	-	X04	25 - 40	120	ESWX-40V18E79-R35	\$3,300	ESWX-40V18A79-R35	\$3,950	
						208-240	ESWX-40V24E79-R35		ESWX-40V24A79-R35		
						480	ESWX-40V47E79-R35		ESWX-40V47A79-R35		
15	15	30	40	X04	32 - 50	120	ESWX-80V18E79-R38	\$3,400	ESWX-80V18A79-R38	\$4,050	
						208-240	ESWX-80V24E79-R38		ESWX-80V24A79-R38		
						480	ESWX-80V47E79-R38		ESWX-80V47A79-R38		
20	20	40	50	X04	40 - 57	120	ESWX-80V18E79-R39	\$3,400	ESWX-80V18A79-R39	\$4,050	
						208-240	ESWX-80V24E79-R39		ESWX-80V24A79-R39		
						480	ESWX-80V47E79-R39		ESWX-80V47A79-R39		
-	25	50	60	X04	57 - 70	120	ESWX-80V18E79-R41	\$3,420	ESWX-80V18A79-R41	\$4,050	
						208-240	ESWX-80V24E79-R41		ESWX-80V24A79-R41		
						480	ESWX-80V47E79-R41		ESWX-80V47A79-R41		
25	30	60	75	X04	63 - 80	120	ESWX-105V18E79-R43	\$3,870	ESWX-105V18A79-R43	\$4,600	
						208-240	ESWX-105V24E79-R43		ESWX-105V24A79-R43		
						480	ESWX-105V47E79-R43		ESWX-105V47A79-R43		
30	-	75	-	X04	75 - 97	120	ESWX-105V18E79-R44	\$3,870	ESWX-105V18A79-R44	\$4,600	
						208-240	ESWX-105V24E79-R44		ESWX-105V24A79-R44		
						480	ESWX-105V47E79-R44		ESWX-105V47A79-R44		
-	40	-	-	X04	90 - 112	120	ESWX-105V18E79-R45	\$3,870	ESWX-105V18A79-R45	\$4,600	
						208-240	ESWX-105V24E79-R45		ESWX-105V24A79-R45		
						480	ESWX-105V47E79-R45		ESWX-105V47A79-R45		

Notes:

- 1) Overload Relay dial must be set with FLA of the motor
- 2) 3-phase starters with 120V coil are pre-wired for separate control
- 3) 3-phase starters can be wired for single-phase applications

Variable Frequency Drives and Enclosed Motor Controls

Explosion Proof Manual Starters Dimensions (in) ESWX-M18



Certifications
 Class I, Groups C & D
 Class II, Groups E, F, & aG
 UL Standard 1203 (Classified)
 NEMA 7 (C&D), 9 (E, F, & G)

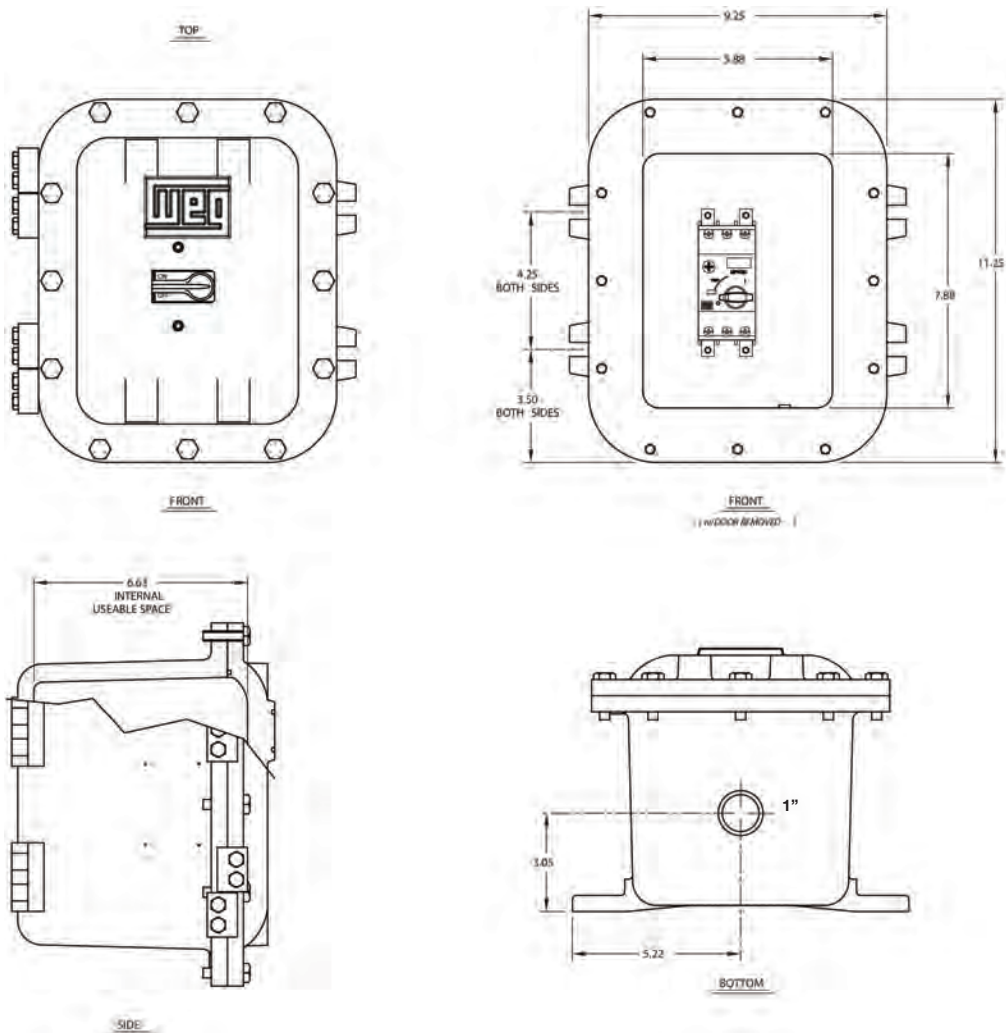


Variable
 Frequency
 Drives and
 Enclosed Motor
 Controls

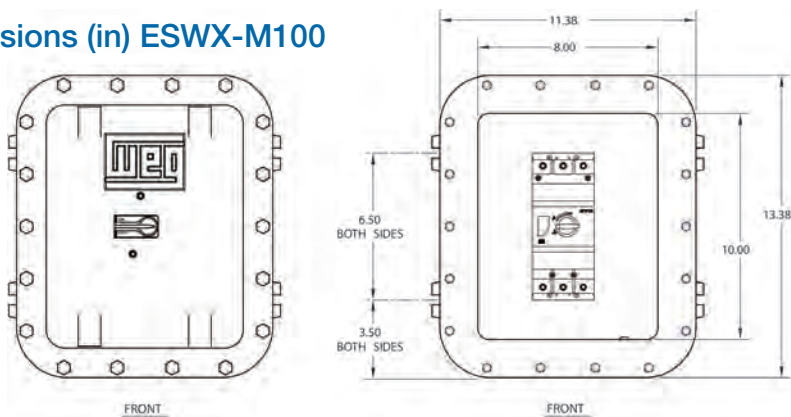
ESWX

Explosion Proof Manual Starters

Dimensions (in) ESWX-M40 and ESWX-M65



Dimensions (in) ESWX-M100

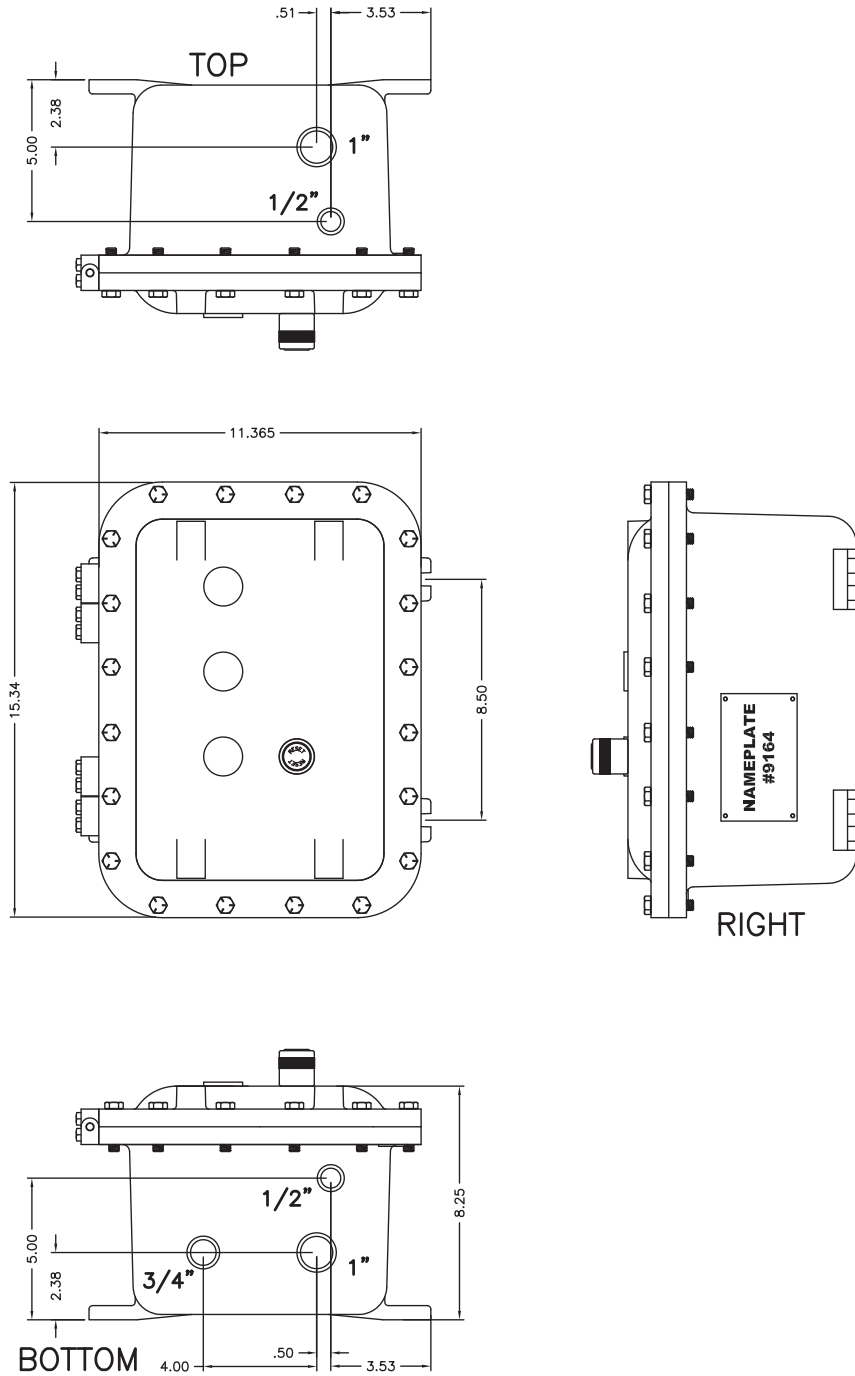


Certifications

Class I, Groups C & D
 Class II, Groups E, F, & aG
 UL Standard 1203 (Classified)
 NEMA 7 (C&D), 9 (E, F, & G)

Variable
Frequency
Drives and
Enclosed Motor
Controls

Explosion Proof Non-Combination Starters Dimensions (in) ESWX SERIES Type-NEMA 7/9 - Cast Aluminum Enclosure



Variable
Frequency
Drives and
Enclosed Motor
Controls

CUSTOM CONTROL PANELS DATA WORKSHEET AND REQUEST FOR QUOTE

REP*		ASE*		NEED QUOTE BY*	
TAM*		TSS*		REQUESTED SHIP DATE*	

1. CUSTOMER INFO:

1.1 COMPANY NAME		1.3 CUSTOMER PHONE	
1.2 CONTACT NAME		1.4 END USER NAME	

2. SUPPORTING PRODUCT INFO:

2.1 PRODUCT INFO*	
2.1.A ENTER P/N	

3. LOAD DATA:

3.1 MOTOR HP*		3.2 MOTOR FLA*		3.3 SERVICE FACTOR	
3.4 OTHER LOAD DATA					

4. POWER AND WIRING:

4.1 PHASE*		4.2 INCOMING VOLTAGE (V)*	
4.3 FREQUENCY*		4.4 PORTABLE GENERATOR POWER?*	

5. APPLICATION & ENVIRONMENT:

5.1 STARTING METHOD*		5.1.A OTHER STARTING METHOD?*	
5.2 ENCLOSURE TYPE* (METALIC TYPE 1, 12, ETC)		5.3 SPECIFY AMBIENT TEMPERATURE IF UNIT INSTALLED OUTDOORS	
5.4 SPECIFY ALTITUDE IF UNIT INSTALLED ABOVE 6,5000 FT			
5.5 REPLACING STANDARD NEMA SIZE?*		5.6 MAXIMUM NUMBER OF STARTS PER HOUR*	
5.7 OTHER INFORMATION			

6. CIRCUIT PROTECTION:

6.1 PROTECTIVE DEVICE*		7.1 COMMON CONTROL (SAME AS VOLTAGE TO MOTOR?)*		7.2 CPT REQUIRED?*	
6.1.A OTHER PROTECTIVE DEVICE		7.3 TRANSFORMER WITH EXTRA VA CAPACITY?*			

7. CONTROL CIRCUIT:

8. COVER MOUNTED 22mm DEVICES: (IF YES, ENTER QUANTITIES)

22MM RESET PBS ARE CONSIDERED BASED ON PANEL CONFIGURATION. IF RESET PBS ARE NOT NEEDED, PLEASE SPECIFY.

8.1 START/STOP PUSH BUTTONG		8.2 H-0-A SELECTOR SWITCH		8.3 OFF-ON SELECTOR SWITCH		8.4 RUN LIGHT		8.5 POWER ON LIGHT		8.6 E-STOP PUSH BUTTON	
8.7 OTHER (SPECIFY)											

9. OTHER SPECIFICATIONS:

*REQUIRED FIELDS

WHEN COMPLETED, PLEASE CONTACT YOUR REGIONAL WEG SALES SPECIALIST AT 1-900-ASK-4WEG (275-4934) FOR DIRECTIONS ON SUBMITTAL FOR QUTATION. WEG CAN HELP YOU COMPLETE ANY FURTHER PERTINENT INFORMATION TO QUOTE.



The SSW7000C uses state-of-the-art technology to provide start / stop control and protection for three-phase induction and synchronous motors. Developed to ensure excellent performance, it prevents mechanical shocks to the drivetrain, protects the motor against related burnouts or current surges in the power supply and thus offers a complete solution for various applications.

Applications

- Blowers
- Compressors
- Conveyors
- Chippers
- Fans
- Exhausters
- Pumps

Industries

- Chemical, Petrochemical, Oil and Gas
- Cement and Mining
- Steel and Metallurgy
- Sugar and Chemical
- Pulp and Paper
- Water and Waste Water Management

Variable
Frequency
Drives and
Enclosed Motor
Controls



SSW7000C

Standard Features:

- Motor voltage: 2.3kV, 4.16kV
- Power: 400 hp to 3500 hp
- Protection Degree : NEMA12, IP 41
- Operating interface (HMI) with graphic LCD
- Real time clock
- Main and bypass vacuum contactors
- Medium voltage fuses
- Power and control insulated by fiber optics
- Soft PLC Function
- License Free programming software SuperDrive and WLP
- Motor thermal protection - PT100 (accessory), 8 Channels
- Ground Fault Protection - standard
- 5 start modes
- Network communication boards (accessories): DeviceNet, Profibus-DP, Ethernet and Modbus, RS-232 or RS-485
- Flash Memory Module (accessory)

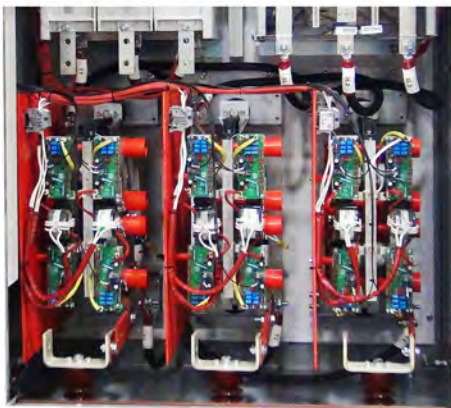
Advantages:

- Flexible Torque control
- Overload capacity of 400% for 20 s. (2x / hour duty cycle)
- Management of Demand restrictions by the electric company
- Bumpless starting
- Motor protection
- Mechanical wear reduction
- Handles lower inrush current limitations of power supply

Special Features:

- Clean Assembly with easy accessibility to all components
- Flexible Torque Control (FTC), by employing torque estimation using vector control principle and measurement of input voltage, output voltage and output current. This provides more accurate torque set-points, compared to estimating torque values only via current measurement.
- Active Protection offers complete motor protection in DOL START and RUN mode. This eliminates need for any expensive motor protection relays for backup protection.
- Optimized heat-sink design for balanced, compact cooling
- Power stacks are light weight, independent phase modules for ease of handling
- Ground Fault protection is standard
- Flexible Thermal Class Curve setup & selection that eliminates need for third party expensive protection relays
- Soft PLC function with license-free software
- Nickel plated bus bars and bus-stub connections provide corrosion resistance and ensure proper electrical connection
- Power connection terminals for TOP or BOTTOM motor connection
- Operator Interface (keypad, parameter setup) is identical to that of WEG's low voltage starter product line

Variable Frequency Drives and Enclosed Motor Controls

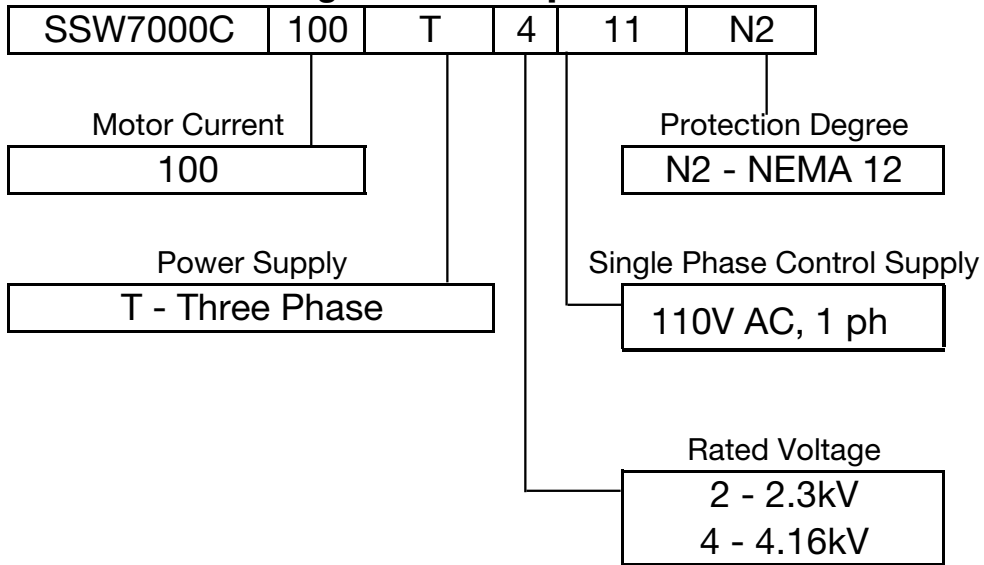


Certifications



Product Code

SSW7000C Catalog Number Sequence



Rating

Power Supply	Catalog Number	Control Voltage	Motor Power		List Price	Multiplier
			HP*	kW		
2300V, 3PH, 60HZ	SSW7000C100T211N2	110V, 1Ph	400	300	\$58,322	E3
	SSW7000C120T211N2	110V, 1Ph	500	373	\$58,684	
	SSW7000C150T211N2	110V, 1Ph	600	450	\$60,294	
	SSW7000C180T211N2	110V, 1Ph	750	560	\$61,749	
	SSW7000C210T211N2	110 V, 1Ph	950	700	\$62,570	
	SSW7000C240T211N2	110V, 1Ph	1100	800	\$63,851	
	SSW7000C300T211N2	110 V, 1Ph	1350	1000	\$69,396	
	SSW7000C370T211N2	110V, 1Ph	1650	1200	\$70,960	
	SSW7000C430T211N2	110V, 1Ph	1900	1400	\$73,789	
4160V, 3PH, 60HZ	SSW7000C100T411N2	110V, 1Ph	750	560	\$65,721	
	SSW7000C120T411N2	110V, 1Ph	1000	750	\$67,347	
	SSW7000C150T411N2	110V, 1Ph	1250	925	\$68,901	
	SSW7000C180T411N2	110V, 1Ph	1500	1100	\$70,728	
	SSW7000C210T411N2	110 V, 1Ph	1750	1300	\$71,560	
	SSW7000C240T411N2	110V, 1Ph	2000	1500	\$73,235	
	SSW7000C300T411N2	110 V, 1Ph	2500	1850	\$80,861	
	SSW7000C370T411N2	110V, 1Ph	3000	2250	\$82,080	
	SSW7000C430T411N2	110V, 1Ph	3500	2600	\$86,656	

Note: (*) The motor power ratings given above are based on WEG 4-pole motors, 4.16kV, 60-Hz, PF=0.87, Eff=0.97, SF=1.
 For applications with high overloads or special starting conditions, contact WEG's sales force.
 Current Rating of SSW7000C must be calculated based on the information on load type, load speed/torque curve and required number of starts per hour.
 All models are available in 220V, 1Ph control voltage.

Variable Frequency Drives and Enclosed Motor Controls

MEDIUM VOLTAGE STARTERS

Options

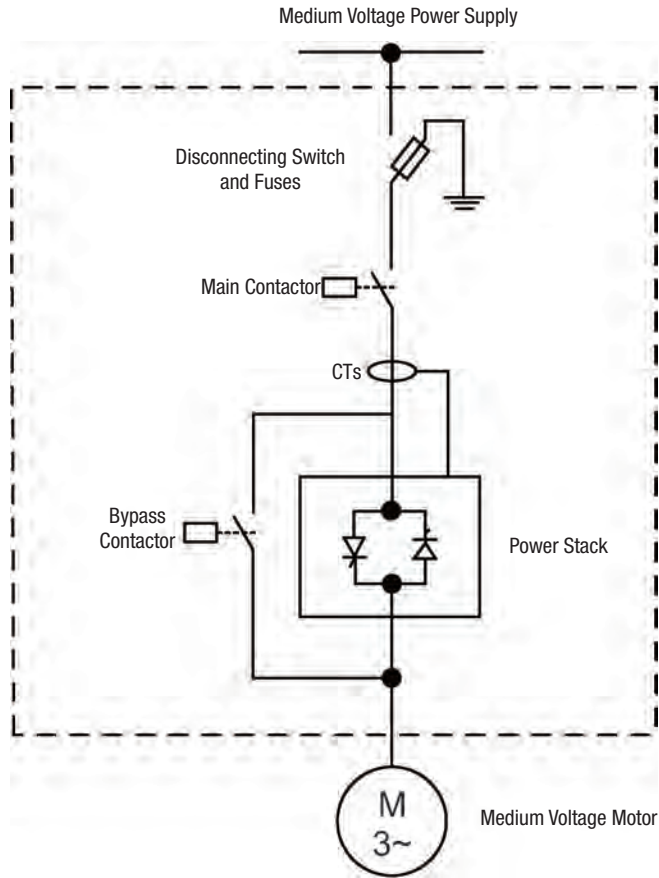
Reference	Description	Slot	List Price	Multiplier
Control accessories to install in Slots 1, 2 and 3				
IOE-04	Module for 8 temperature sensors PT100	1 and 2	\$2795	E3
RS485-01	RS-485 serial communication module (Modbus)	3	\$240	
RS232-01	RS-232C serial communication module (Modbus)		\$180	
RS232-02	RS-232C serial communication module with switch to program the microcontroller FLASH memory		\$180	
Anybus-CA Accessories to install in Slots 4				
PROFDP-05	ProfibusDP interface module	4	\$1100	E3
DEVICENET-05	Devicenet interface module			
ETHERNET/IP-05	EtherNet/IP interface module			
RS232-05	RS-232 interface module (passive) (Modbus)		\$290	
RS485-05	RS485 interface module (passive) (Modbus)		\$360	
Flash Memory Module to install in Slot 5 - Included in Standard Models				
MMF-01	FLASH memory module	5	\$71	V1
Other Accessories				
HMI-01	Man Machine Interface – MMI (sold separately) ⁽¹⁾	-	\$320	V1
RHMIF-01	Frame kit for MMI (protection rate IP56)		\$69	

Dimensions



Variable
Frequency
Drives and
Enclosed Motor
Controls

Block Diagram



Standards

ANSI/IEEE C37.2	Function/Protection Feature	Standard Option	
		<input checked="" type="checkbox"/>	<input type="checkbox"/>
19	Reduced Voltage Starting and Bypass	<input checked="" type="checkbox"/>	<input type="checkbox"/>
27	Undervoltage protection	<input checked="" type="checkbox"/>	<input type="checkbox"/>
37	Undercurrent protection	<input checked="" type="checkbox"/>	<input type="checkbox"/>
46	Phase-Balance Current protection	<input checked="" type="checkbox"/>	<input type="checkbox"/>
47	Phase Sequence	<input checked="" type="checkbox"/>	<input type="checkbox"/>
48	Incomplete Sequence	<input checked="" type="checkbox"/>	<input type="checkbox"/>
50	Instantaneous Overcurrent trip	<input checked="" type="checkbox"/>	<input type="checkbox"/>
51	Overcurrent trip	<input checked="" type="checkbox"/>	<input type="checkbox"/>
55	Power Factor check	<input checked="" type="checkbox"/>	<input type="checkbox"/>
59	Overvoltage	<input checked="" type="checkbox"/>	<input type="checkbox"/>
81	Frequency check	<input checked="" type="checkbox"/>	<input type="checkbox"/>
86	Lockout Relay - electronic	<input checked="" type="checkbox"/>	<input type="checkbox"/>
50N/51G	Ground fault detection instantaneous and fault-current	<input checked="" type="checkbox"/>	<input type="checkbox"/>
49 & 38	Winding Temperature and Bearing Temperature	<input type="checkbox"/>	<input type="checkbox"/>

Variable Frequency Drives and Enclosed Motor Controls

MEDIUM VOLTAGE STARTERS

Technical specifications

Power Supply	Power Voltage (R/1 L1, S/3L2, T/5L3)	Low voltage test: 500Vac: (-60% to +10%) or (200 to 550Vca) Models: 2300Vac: (-60% to +10%) or (920 to 2530Vca) 4160Vac: (-60% to +10%) or (2760 to 4576Vca)
	Frequency	(50 to 60Hz): (±10%) or (45 to 66Hz)
Capacity	Maximum number of starts	5 starts in 2 hours (One start every 30 minutes)
	Start cycle	AC-53a; 4.5-30:50-2
Thyristors	Medium voltage SCR per power arm	2300Vac: 2 thyristors per per power stack 4160Vac: 2 coupled pairs of thyristors
	Reverse voltage peak on the arm	2300Vac: 6.5kV 4160Vac: 13kV
Protections	Protection by Hardware	dv/dt filter Active overvoltage protection on the thyristors
	Control voltage	As per code of the SSW7000: 110Vac: (-15% to 10%) or (93.5 to 121Vac) 230Vac: (-15% to 10%) or (195.6 to 253Vac)
Control Supply	Frequency	(50 to 60Hz): (±10%) or (45 to 66Hz)
	Consumption	Continuous: 900 mA Peak: 9.5 A (during the closing of the vacuum contactors)
Control	Method	Voltage ramp. Current limitation. Pump control. Torque control. Current ramp.
Inputs	Digital	6 insulated digital inputs, 24 Vdc, programmable functions
	Analog	2 differential inputs insulated by differential amplifier; AI1 resolution: 12 bits, AI2 resolution: 11bits + signal, (0 to 10) V, (0 to 20) mA or (4 to 20) mA, Impedance: 400kΩ for (0 to 10V), 500Ω for (0 to 20mA) or (4 to 20mA), programmable functions
Outputs	Digital	3 NO/NC contact relays, 240 Vac, 1A, programmable functions.
	Analog	2 insulated outputs, (0 to 10V) RL ± 10kΩ (maximum load), 0 to 20mA or 4 to 20mA RL<500Q, 11-bit resolution, programmable functions
Man Machine Interface	Standard	9 keys: Turn/Stop, Increase, Decrease, Rotation Direction, Jog, Local/Remote, right Soft key and left Soft key. Graphic LCD. It enables access to/change of all parameters.
Safety	Main protections	Under and Overcurrent and current unbalance. Under and Overvoltage and voltage unbalance. Under and Overtorque and Active overpower Phase loss. Reverse phase sequence Overtemperature in the power racks. Motor overload. Motor overtemperature (optional). External defect. Ground fault by voltage or current. Fault in the power racks. Fault in the power contactors. Faults in the control boards. Communication faults of MMI and between controls. Faults in the communication networks. Programming errors. For further details and more protections implemented, refer to the programming manual.
Protection degree	IP41	Standard panel
PC connection for programming	USB Connector	USB standard Rev. 2.0 (basic speed). USB plug type B "device". Interconnecting Cable: standard host/device shielded USB cable
Environmental Conditions	Temperature	-10° a 40°C
	Altitude	Up to 1000 m above sea level. For higher altitudes, contact our sales force.
	Humidity	Air relative humidity of 5 % to 90 % non-condensing.
Standards	NBR IEC 62271-200	High voltage controlgear and switchgear - part 200: High voltage controlgear and switchgear in metal enclosure for voltages over 1 kV up to and including 52 kV
	IEC 62271-1	High-voltage switchgear and controlgear - Part 1: Common specifications
	IEC 60060-1	High-voltage test techniques. Part 1: General definitions and test requirements
	CISPR 11	Industrial, scientific and medical (ISM) radio-frequency equipment - electromagnetic disturbance characteristics - limits and methods of measurement
	IEC 61000-4-4	Electromagnetic compatibility (EMC) - Part 4: testing and measurement techniques - section 4: electrical fast transient/burst immunity test. Basic EMB publication
	IEC 61000-4-18	Electromagnetic compatibility (EMC) - Part 4-18: testing and measurement techniques - damped oscillatory wave immunity test
	NBR IEC 60529	Protection rates for electric equipment enclosures (ip code)
	UL 347	Medium Voltage AC Contactors, Controllers and Control Centers
UL 347B	Medium Voltage Motor Controllers	

Variable Frequency Drives and Enclosed Motor Controls

- Models in blue text are NEMA Premium Efficiency

- Models in green text are NEMA Super Premium Efficiency

Catalog Notes

1	1.0 Service Factor	31	Rating is suitable for 1.0SF @ 50Hz. Also suitable for next lower HP @ 1.15SF 50Hz
2	Aluminum Frame with Removable Feet	32	Suitable for 1.15SF @ 50°C ambient
3	Automatic Reset Thermal Overload Protector	33	Suitable for 380V 60Hz when wired as YY (double WYE)
4	Manual Reset Thermal Overload Protector	34	AEGIS® Inside
5	CCW Rotation Viewed from Shaft End - Non Reversible	35	AEGIS® ring installation reduces the available "N-W" length
6	Compressor Duty	36	Super Premium
7	F2 Mount	37	Design A
8	F3 Mount	38	TEAO - Totally Enclosed Air Over
9	Rolled Steel Frame - Cannot be modified with T Box on opposite side	39	Cannot be modified with T Box on opposite side
10	Not Thermally Protected	40	NDE shaft with 3/8" drive socket
11	Metal fan - Not suitable for division 2	41	Also rated 230/460V 50Hz 1.0 SF
12	Reduced Frame	42	Rated 50°C ambient
13	Resilient Base	43	With insulated non drive end housing
14	Roller Bearing	44	With air deflector. Flange MOD not available
15	Round Body - Drip Cover Included	45	Also rated 380V 50Hz
16	Split-Phase Motor	46	56J shaft end with dual opposed threads (7/16-20 UNF-2A R.H and 3/8-16 UNF-2A L.H)
17	TENV - Totally Enclosed Non Ventilated	47	Motor designed with copper bar rotor
18	Z-Frame; Bigger Shaft Diameter and Bearings	48	Motor suitable for safe area only
19	105K Tempature Rise		
20	Round Body - Drip Cover NOT Included		
21	Stainless Steel Body		
22	Two Speed - Double Windings		
23	Two Speed - Single Winding		
24	Modified item. Usually ships in two weeks		
25	Brake rectifier suitable for 230VAC		
26	Brake rectifier suitable for 460VAC		
27	For Export Only (not to be used in the USA) due to Certification and/or Efficiency requirements.		
28	ODP Fan Cooled		
29	Standard Efficiency		
30	High Efficiency (EPACT)		