



Main Features

| | |
|----------------|--------------------|
| Reference | : SSW900C0171T6E2B |
| Product code | : 15939747 |
| Product family | : SSW900 |

Basic data

| | |
|-------------------------------|----------------|
| Power | |
| - Rated current | : 171 A |
| - Power supply | : 400-690 V |
| - Power supply type | : TT / TN / IT |
| - Frequency | : 50/60Hz |
| - Number of controlled phases | : 3 phases |
| - Integrated bypass | : Yes |

Motor power - standard connection (cv/kW)

| | |
|------------|-------------|
| - 220/230V | : No |
| - 380/400V | : 125 / 90 |
| - 440/460V | : 125 / 90 |
| - 575V | : 175 / 132 |
| - 690V | : 220 / 165 |

Motor power - delta inside connection (cv/kW)

| | |
|------------|-------------|
| - 220/230V | : No |
| - 380/400V | : 200 / 150 |
| - 440/460V | : 200 / 150 |
| - 575V | : 300 / 225 |

Electronic and fan

| | |
|--------------------------|------------|
| Supply voltage (control) | : 110-240V |
| Supply voltage (cooler) | : 110-240V |

Connection to the motor

| | |
|--------------------------|-------|
| - Standard (3 leads) | : Yes |
| - Inside delta (6 leads) | : Yes |

Duty cycle

| | |
|----------------------------|--------------------|
| - Estándar [1] | : AC-53b 3-30:1170 |
| - With ventilation kit [2] | : AC-53b 3-30:330 |

Digital inputs

| | |
|-----------------------------|------------------|
| - Quantity (standard) | : 6 |
| - Type | : DC NPN / PNP |
| - Voltage | : 24 Vdc |
| - Minimum high level | : 18 Vdc |
| - Maximum low level | : 3 Vdc |
| - Maximum voltage | : 30 Vdc |
| - Input current | : 11 mA @ 24 Vdc |
| - Function | : Programmable |
| - Reading via communication | : Yes |

Input for motor thermistor

| | |
|-----------------------|------------|
| - Quantity (standard) | : 1 |
| - Activation | : 3k9 Ohms |
| - Deactivation | : 1k6 Ohms |
| - Minimum resistance | : 100 Ohms |

Analog outputs

| | |
|---------------------------|------------------------------|
| - Quantity (standard) | : 1 |
| - Level | : 0 to 10 Vdc and 0 to 20 mA |
| - Resolution | : 10 bits |
| - Function | : Programmable |
| - Write via communication | : Yes |

Digital outputs

| | |
|---------------------------|-------------------------------|
| - Quantity | : 3 |
| - Type | : 2 x NO relay, 1 NO/NC relay |
| - Maximum voltage | : 250 Vac |
| - Maximum current | : 1 A |
| - Function | : Programmable |
| - Write via communication | : Yes |

Functions and Features

Control type start and stop

| | |
|----------------------------------|-------|
| - Voltage ramp | : Yes |
| - Voltage ramp and current limit | : Yes |
| - Current limit | : Yes |

DATASHEET

Soft-Starter



- Current limitation ramp : Yes
- Pump control : Yes
- Torque control : Yes
- Direct on line start : Yes

Functions/Features

Specials functions

- Torque pulse at start (kick start) : Yes
- Jog : Yes
- DC braking (with contactor) : Yes
- Optimal Braking (without contactor) : Yes
- Reverse braking : Yes
- Changing of the rotation direction : Yes
- Multimotor application : No
- Emergency start (Fire Mode) : Yes

Diagnosis

- Latest faults : Yes, LOG
- Starting and cycle diagnosis : Yes
- Last previous faults : Yes
- Last previous alarms : Yes
- Last previous events : Yes

Others

- Set-up of the programmable fan : Yes
- Copy of the parameters via keypad : Yes
- User 1 and user 2 : Yes
- Oriented Start-up : Yes
- Protections actuation in errors and alarms : Yes
- Fault auto reset : Yes
- Real time clock (RTC) : Yes
- SoftPLC (ladder programming) : Yes, 4K bytes

Slots (para accessories options)

- Quantity : 2
- Digital inputs and outputs expansion : No
- PTC inputs : No
- Pt-100 inputs : No
- Current sensor (by extern bypass) : No

Communications (see Communication)

Protections

Voltage

- Power supply phase loss : Yes
- Overvoltage and undervoltage : Yes
- Voltage imbalance : Yes
- Electronic undervoltage (control) : Yes

Current

- Overcurrent and undercurrent : Yes
- Current imbalance : Yes

Torque

- Overtorque e undertorque : Yes

Potencia

- Overpower and underpower : Yes

Temperature

- Thyristor overheating : Yes
- PTC thermistor motor overheating : Yes
- PT100 thermocouple motor overheating : No

Overload

- Motor overload (thermal class) : Yes
- Thyristor overload : Yes
- Inverted phase sequence : Yes
- External fault : Yes
- Not connected motor : Yes
- Wrong motor connection : Yes
- Frequency out of range : Yes

Ground fault

- Ground fault : No

Bypass

- Bypass not opened : Yes
- Bypass not closed : Yes
- Overcurrent before closing the bypass : Yes
- Undercurrent before closing the bypass : Yes

Time

- Time before starting : Yes
- Time after starting : Yes
- Time between starting : Yes
- Locked rotor at start : Yes

Communications

DATASHEET

Soft-Starter



| | |
|---|---------------------------------|
| - Programming error | : Yes |
| - Communication faults | : Yes |
| Potencia | |
| - Power short circuit with motor switched off | : Yes |
| - Thyristor fault | : Yes |
| - Hardware self-diagnosis | : Programmable via optional |
| Parameterization | |
| - Parameterization via trim pots and dip switches | : No |
| - Parameterization via keypad | : Yes |
| - Parameterization via software | : WPS |
| Local HMI | |
| - Type | : Yes, removable |
| Remote HMI | |
| - Type | : Local removable |
| - Frame for HMI | : Optional |
| - HMI degree of protection | : IP56 |
| - Maximum cable length | : 20 m / 65.6 ft |
| Local or remote HMI data | |
| - Display | : LCD graphic |
| - Keys | : 12 keys |
| - Password | : Yes |
| - Language | : Yes |
| - Help | : Yes |
| - Copy function | : Yes |
| - Status graphic (read) | : Yes |
| - HMI USB | : Yes |
| Communication | |
| - Modbus-RTU RS-232 | : No |
| - Modbus-RTU RS-485 | : Available with optional |
| - Modbus-RTU USB | : Yes |
| - WEG Bus | : No |
| - Modbus-TCP | : Available with optional |
| - Profibus-DP | : Available with optional |
| - Profibus-DPV1 | : Available with optional |
| - Profinet | : Available with optional |
| - DeviceNet | : Available with optional |
| - EtherNet/IP | : No |
| - EtherNet/IP 2P | : Available with optional |
| - Profinet IO 2P | : Available with optional |
| - CANopen | : Available with optional |
| Ambient conditions | |
| - Enclosure | : IP00 |
| - Pollution degree (UL 508) | : 2 |
| Temperature | |
| - Minimum | : -10 °C / 14 °F |
| - Rated | : 55 °C / 131 °F |
| - Current reduction factor above nominal [3] | : 2% for each degree |
| Relative humidity (non-condensing) | |
| - Minimum | : 5 % |
| - Maximum | : 90 % |
| Altitude | |
| - Under rated operating conditions | : 1000 m (3281 ft) |
| - Maximum allowed with reduction factor [4] | : 4000 m (13123 ft) |
| - Current reduction factor above 1000 m [5] | : 1 % for each 100 m (328 ft) |
| - Voltage reduction factor above 2000 m [6] | : 1.1 % for each 100 m (328 ft) |
| Dimensions | |
| - Frame | : C |
| - Height | : 276 mm / 10.9 in |
| - Width | : 223 mm / 8.8 in |
| - Depth | : 261 mm / 10.3 in |
| - Weight | : 6.55 kg / 14.44 lb |
| Sustainability Directives | |
| - RoHS | : Yes |
| - Conformal coating | : 3C2 |
| Standards Compliance | |
| - Safety | : UL 508 |
| - Low voltage | : EN 60947-4-2 |
| - Overvoltage category | : III (UL508 / EN61010) |
| - EMC | : Directive 89/336/EEC |
| Certifications | |
| - Product certification | : UL, CE |

Notes

1) Starting duty cycle AC-53b 3-30:1170:

DATASHEET

Soft-Starter



- 3 x Rated current of the SSW900 during 30 s;
 - 3 starts per hour;
 - 100% of the time with rated current;
 - With bypass;
 - from 0 to 55 °C without current derating
- 3) For temperature over the rated value;
 - 4) With reduction factor;
 - 5) For altitude above 1000 m (3281 ft);
 - 6) For altitude above 2000 m (6562 ft);
 - 7) Image merely illustrative;
 - 8) For further information consult the product manuals SSW900.

1

2

3

4

5

6

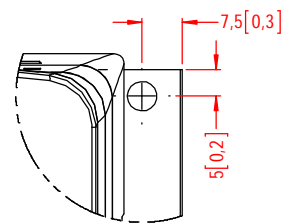
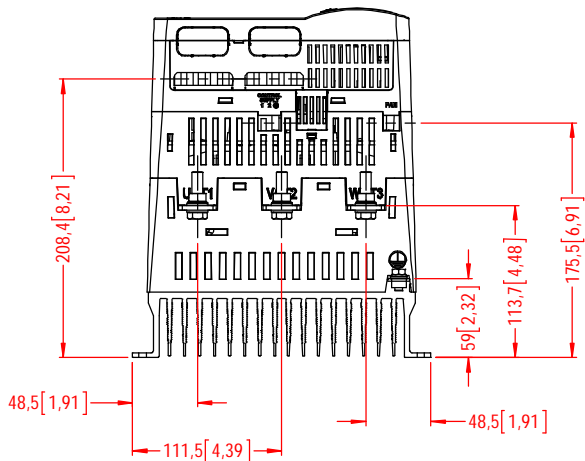
A

B

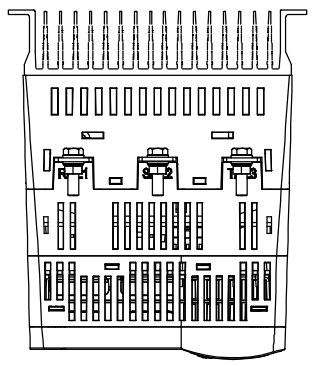
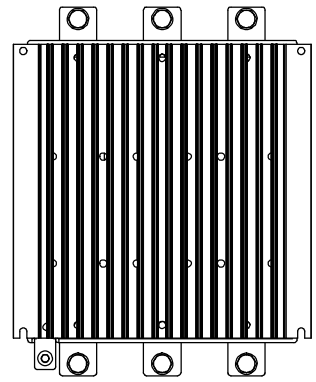
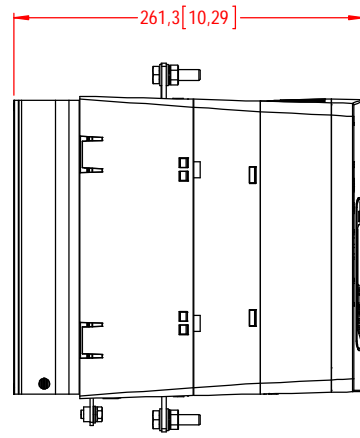
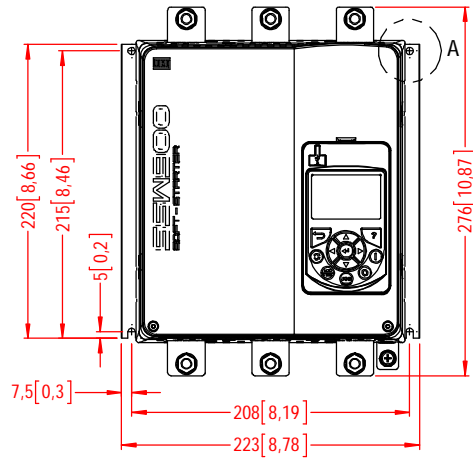
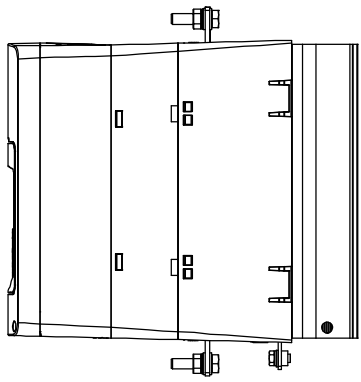
C



D

E



DETALHE A
ESCALA 1 : 1



| | | | | | | | | | | |
|--------------------------|-----|---|--------------------------|--|----|-----------------------|-----------------------|----------------------|---|-----|
| MASSA BRUTA/GROSS WEIGHT | | kg | MASSA LÍQUIDA/NET WEIGHT | | kg | ESCALA/SCALE | | | | |
| ECM | LOC | RESUMO DE MODIFICAÇÕES SUMMARY OF MODIFICATIONS | | | | EXECUTADO EXECUTED | VERIFICADO CHECKED | LIBERADO RELEASED | DATA DATE | VER |
| EXEC | |  SSW900 MEC C | | | | 10003942027 | | |  | |
| VERIF/CHECKED | | | | | | | | | | |
| LIBER/RELEASED | | | | | | | | | | |
| DT LIBER/REL DT | | | | | | FOL/SHEET 1 / 1 | | | | |