

# DATA SHEET



## Single Phase Induction Motor - Squirrel Cage

Customer :

Product line : Rolled Steel Single-Phase      Product code : 13256033  
 Catalog # : 00156AS1RAF56Z-S

Frame	: 56	Locked rotor time	: 12s (cold) 7s (hot)
Output	: 1.5 HP (1.1 kW)	Temperature rise	: 80 K
Poles	: 2	Duty cycle	: Cont.(S1)
Frequency	: 60 Hz	Ambient temperature	: -20°C to +40°C
Rated voltage	: 115/208-230 V	Altitude	: 1000 m.a.s.l.
Rated current	: 13.2/7.30-6.60 A	Protection degree	: IP55
L. R. Amperes	: 106/58.4-52.8 A	Cooling method	: IC410 - TEAO
LRC	: 8.0x(Code K)	Mounting	: F-1
No load current	: 4.00/0.000-2.00 A	Rotation <sup>1</sup>	: Both (CW and CCW)
Rated speed	: 3500 rpm	Starting method	: Direct On Line
Slip	: 2.78 %		
Rated torque	: 2.22 ft.lb		
Locked rotor torque	: 240 %		
Breakdown torque	: 250 %		
Insulation class	: F		
Service factor	: 1.15		
Moment of inertia (J)	: L		
Design			

Output	25%	50%	75%	100%
Efficiency (%)	64.0	66.0	73.0	75.0
Power Factor	0.65	0.92	0.95	0.97

Notes

This revision replaces and cancel the previous one, which must be eliminated.  
 (1) Looking the motor from the shaft end.  
 (2) Measured at 1m and with tolerance of +3dB(A).  
 (4) At 100% of full load.

These are average values based on tests with sinusoidal power supply, subject to the tolerances stipulated in NEMA MG-1.

Rev.	Changes Summary	Performed	Checked	Date
Performed by		Page		Revision
Checked by		1 / 2		
Date	30/03/2018			

# LOAD PERFORMANCE CURVE

Single Phase Induction Motor - Squirrel Cage



Customer :

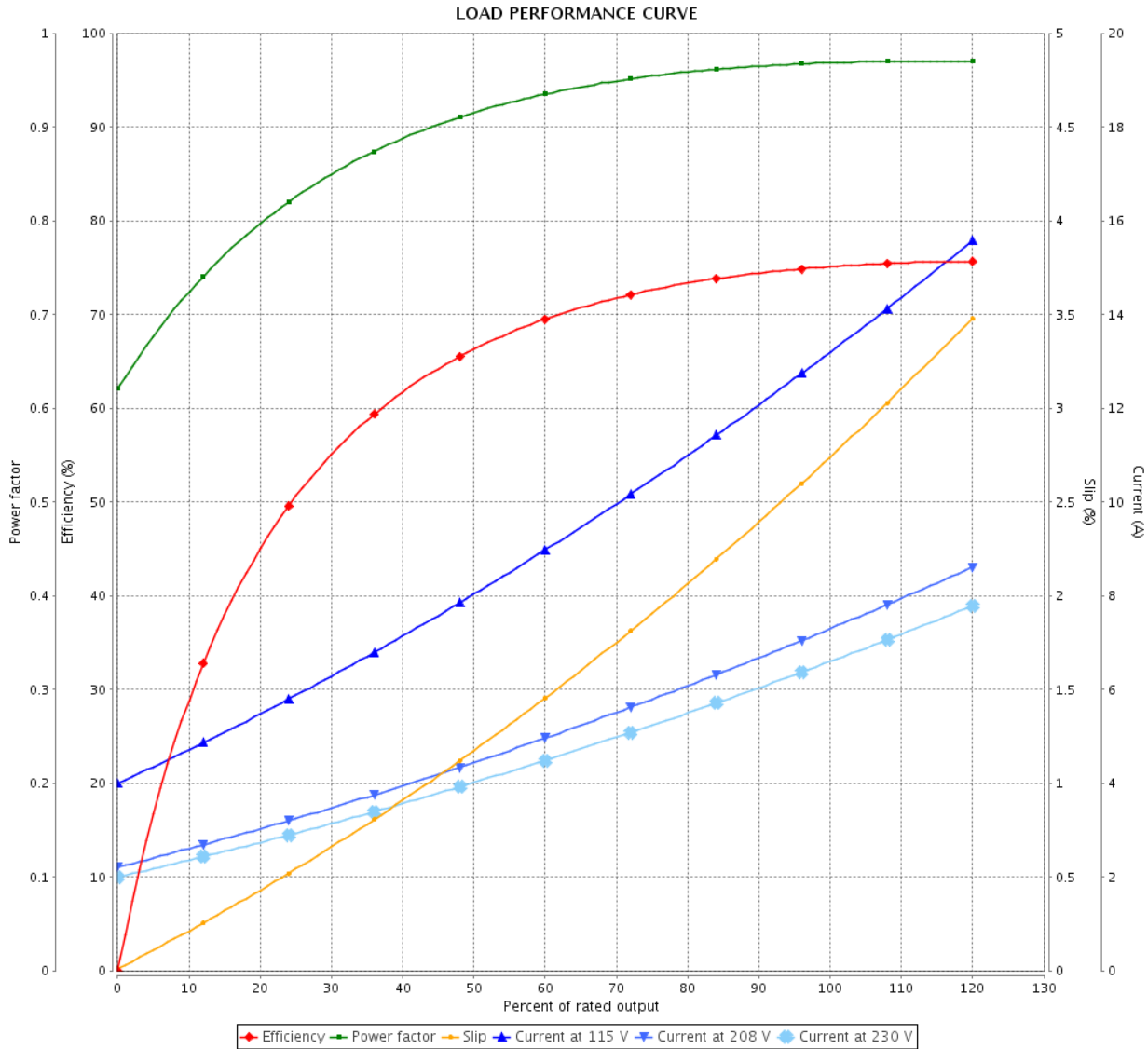
Product line : Rolled Steel Single-Phase

Product code :

13256033

Catalog # :

00156AS1RAF56Z-S



Performance : 115/208-230 V 60 Hz 2P

Rated current : 13.2/7.30-6.60 A  
 LRC : 8.0  
 Rated torque : 2.22 ft.lb  
 Locked rotor torque : 240 %  
 Breakdown torque : 250 %  
 Rated speed : 3500 rpm

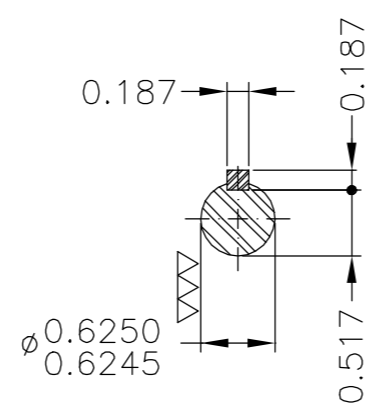
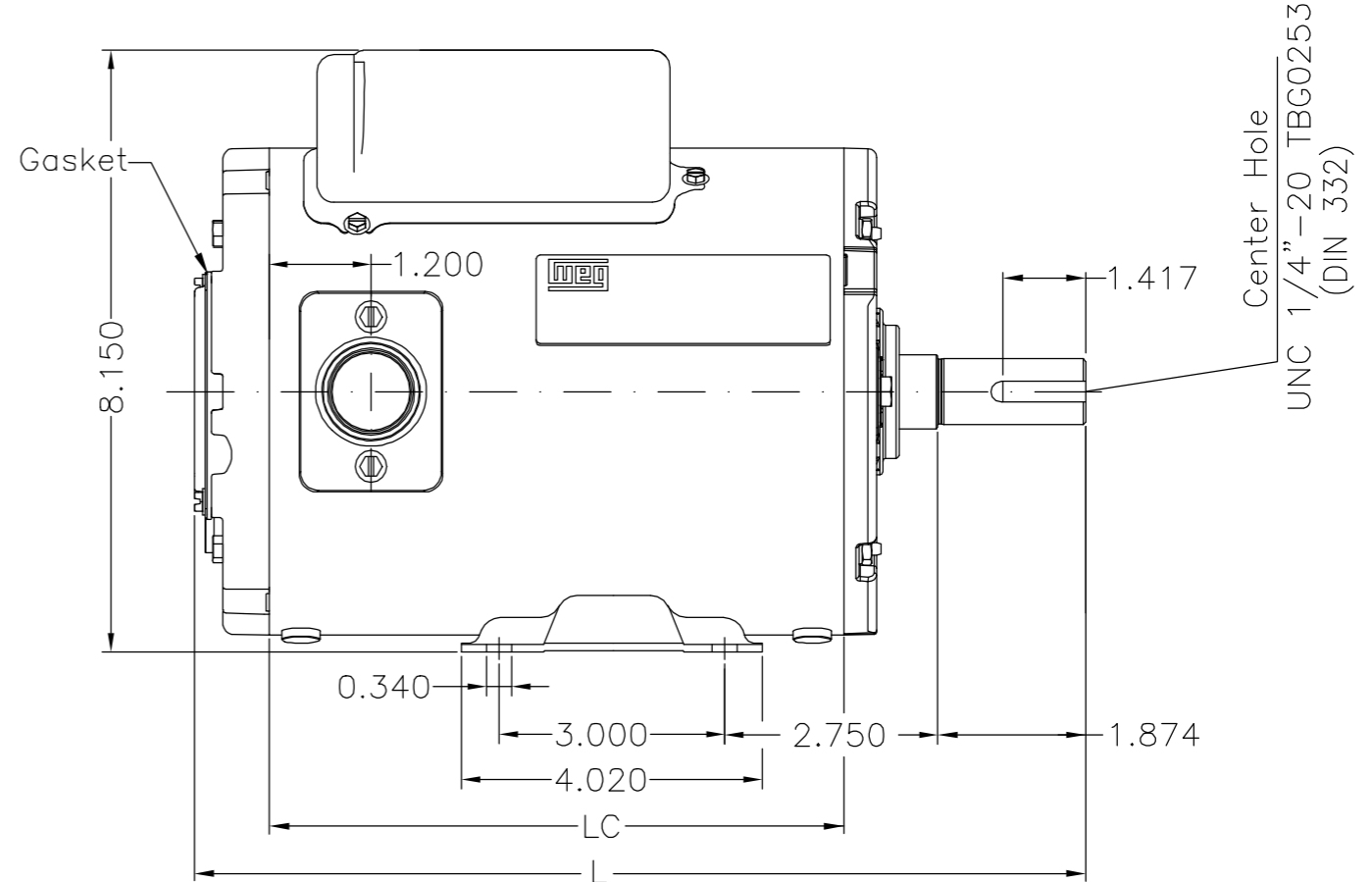
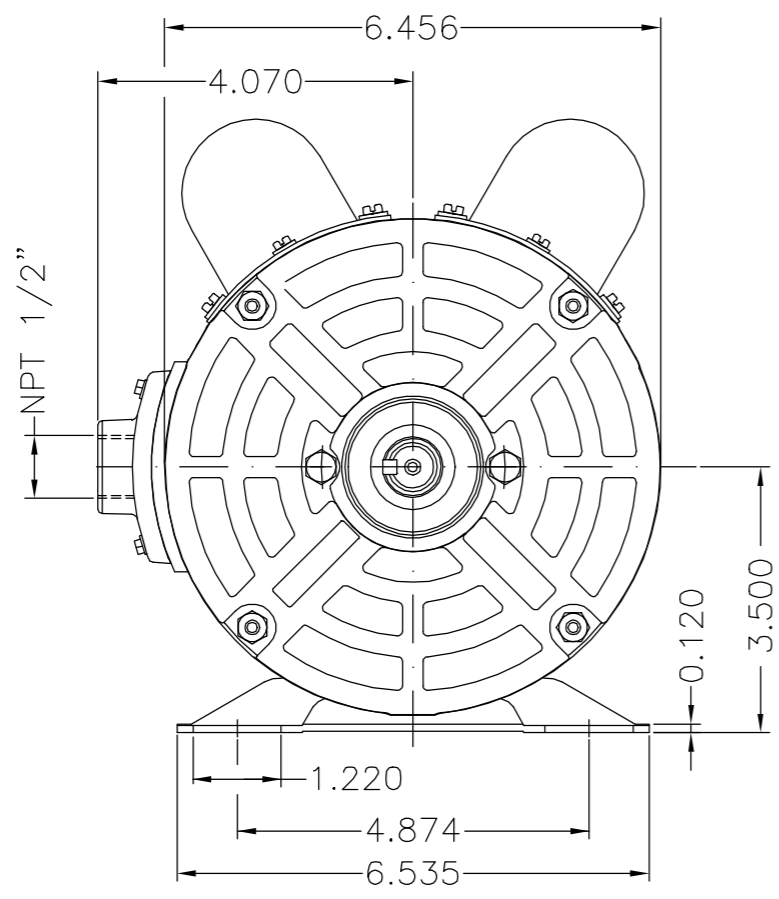
Moment of inertia (J)  
 Duty cycle : Cont.(S1)  
 Insulation class : F  
 Service factor : 1.15  
 Temperature rise : 80 K  
 Design : L

Rev.	Changes Summary	Performed	Checked	Date
Performed by			Page 2 / 2	Revision
Checked by				
Date	30/03/2018			

EIXO/SHAFT	
PADRÃO/STANDARD	X
OPCIONAL/OPTIONAL	
ESPECIAL/SPECIAL	

THIS IS AN UPDATED REVISION, THE PREVIOUS ONE MUST BE DISREGARDED.

A  
B  
C  
D  
E



DE Shaft End

Protetor térmico automático - Fenólico / Automatic overload protector - Phenolic  
 Anel de fixação do rolamento / Bearing cap  
 Vedação - V'ring / Sealing - V ring  
 Plano de pintura 207N / Painting plan 207N  
 Forma construtiva B3D / Mounting B3R(D)

**WEG ELECTRIC CORP.**

500001414303	Alterado conforme ZZ414943448	DEYKSON	LUISS	LUISS	09.02.2018	08		
500001132041	Adicionado cota saída de cabos	RUBENFSM	PATRICKL	PATRICKL	20.01.2016	07		
ECM	LOC	SUMMARY OF MODIFICATIONS		EXECUTED	CHECKED	RELEASED	DATE	VER
EXECUTED	PATRICKL	SINGLE PHASE MOTOR TEAO ROLLED STEEL		10003347978				
CHECKED		FRAME 56 IP55		000   08				
RELEASED	JTOGNERI							
REL DT	10.02.2015	WMO	LINHARES	ENGENHARIA DE PRODUTO	SHEET	1 / 1		

				LC	L	
1.5 HP	02 Poles	60Hz	413733247	7.874	11.988	C
1 HP	02 Poles	60Hz	413730548/414943363	7.480	11.594	B
0.75 HP	02 Poles	60Hz	413730547	7.087	11.201	A

UNCONTROLLED COPY  
RELEASED  
ZME A3