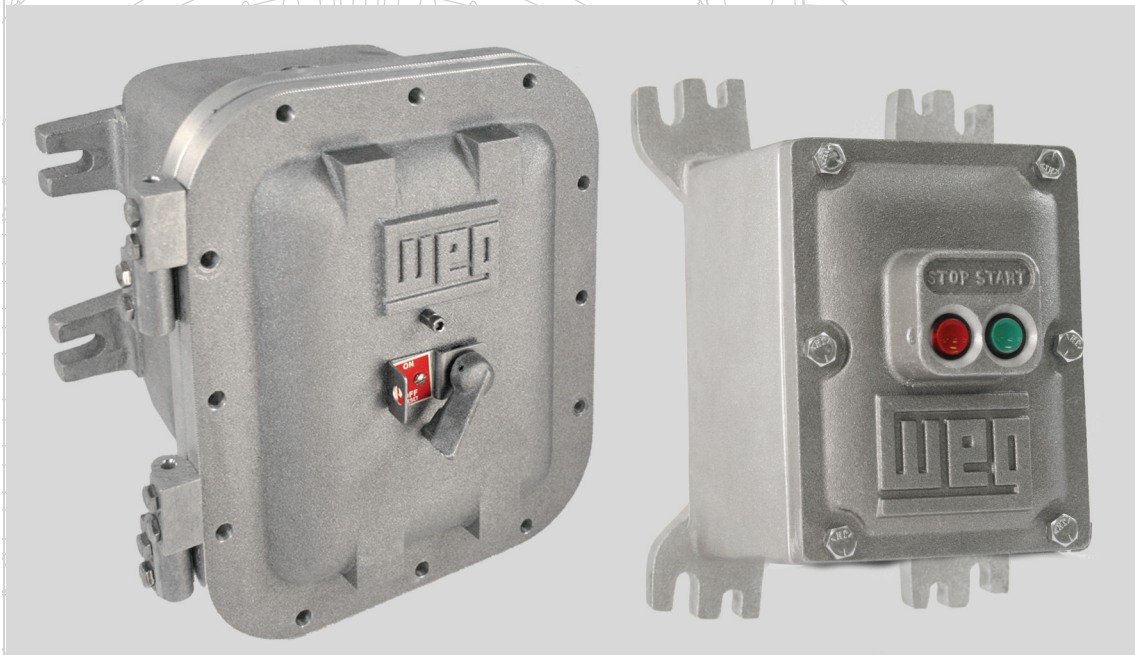
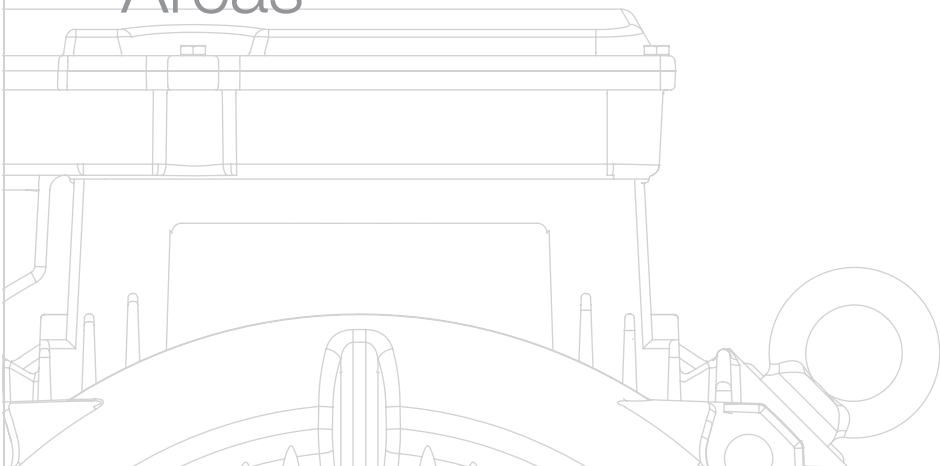


Explosion Proof Manual Motor Starters

Motor Control for Hazardous Areas

- Fast & easy installation
- NEMA 4X applications
- Corrosion resistant body
- Circuit disconnect & short circuit protection





Explosion Proof Manual Motor Starters

Motor Control for Hazardous Areas: Class I, Groups C & D - Class II, Groups E, F, G

WEG Explosion Proof Motors Starters are the perfect compliment for motor control in Hazardous and Industrial environments. Applications include Oil & Gas, Mining, and Chemical Processing industries.

ESWX Series

- High short-circuit interrupting rating – up to 50kA @ 480V
- Thermal overload protection Class 10
- Phase loss sensitivity protection
- Ambient temperature compensation -4°F +140°F (-20°C +60°C)
- Lockable rotary handle mechanism for disconnect
- Snap-in accessories
- Finger safe protected terminals
- Test trip feature
- Manual Motor Starters
- Suitable for motor disconnect applications
- UL Type-E self protected combination starter (available on request)



“Customs units also available on request.”

ESWX Series – Product Selection & Part Number Index

	Part #	ESWX	-	-	-	-
Manual Motor Protector	(M16 = MPW16)					
	(M25 = MPW25)					
	(M65 = MPW65)					
	(M100 = MPW100)					
Control Devices	(A = Start & Stop / Reset Pushbuttons)					
	(R = Rotary Handle – ON / OFF)					
Enclosure Type	(79 = NEMA 7 / 9)					
Overload Range (Amps)	(choose range from selection tables below)					



Explosion Proof Manual Motor Starters

Motor Control for Hazardous Areas: Class I, Groups C & D - Class II, Groups E, F, G

Enclosure Specifications

- Versatile mounting format
- Corrosion resistant, copper free aluminum alloy body
- Bolted flange design
- Durable cast on lugs
- Watertight 'O' Rings for NEMA 4X applications
- Lockout device on cover
- Rotary Handle units include hinged door for easier access
- Nema 4X / 7 / 9 housing
- ON/OFF - Rotary Handle or Start/Stop - Push buttons
- Rotary Lockable handle
- Available up to 75 hp @ 460 Vac – 100 amps



Explosion Proof Manual Motor Starters ESWX-M16 Series

- Versatile mounting
- Nema 4X / 7 / 9 housing
- Start & Stop /Reset pushbuttons
- Lockable in OFF position
- Available up to 10 hp @ 460 Vac – 16 amps



ESWX-M16 - PRODUCT SELECTION

Max 3 Phase UL HP			Thermal Setting	Short-Circuit interruption capacity		Catalog Number	List Price	Multiplier Symbol
Three Phase				[A]	480 Vac			
230V	460V	575V						
-	1/2	1/2	0.63 - 1.0	50kA	10kA	ESWX-M16A79-U001	\$1,595.00	Z33
-	3/4	3/4	1.0 - 1.6	50kA	10kA	ESWX-M16A79-D016	\$1,595.00	Z33
1/2	1	1 1/2	1.6 - 2.5	50kA	10kA	ESWX-M16A79-D025	\$1,595.00	Z33
3/4	2	3	2.5 - 4.0	50kA	10kA	ESWX-M16A79-U004	\$1,595.00	Z33
1 1/2	3	5	4.0 - 6.3	50kA	10kA	ESWX-M16A79-D063	\$1,595.00	Z33
3	5	7 1/2	6.3 - 10	50kA	5kA	ESWX-M16A79-U010	\$1,595.00	Z33
5	10	10	10 - 16	30kA	5kA	ESWX-M16A79-U016	\$1,595.00	Z33



Explosion Proof Manual Motor Starters ESWX-M25 Series

- Nema 4X / 7 / 9 housing
- Hinged Cover for easy access
- ON / OFF – Rotary Handle
- Lockable in OFF position
- Available up to 20 hp @ 460 Vac– 32 amps



ESWX-M25 - PRODUCT SELECTION

Max 3 Phase UL HP			Thermal Setting	Short-Circuit interruption capacity		Catalog Number	List Price	Multiplier Symbol
Three Phase				[A]	480 Vac			
230V	460V	575V						
-	1/2	1/2	0.63 - 1.0	50kA	25kA	ESWX-M25R79-U001	\$2,200.00	Z33
-	3/4	3/4	1.0 - 1.6	50kA	25kA	ESWX-M25R79-D016	\$2,200.00	Z33
1/2	1	1 1/2	1.6 - 2.5	50kA	25kA	ESWX-M25R79-D025	\$2,200.00	Z33
3/4	2	3	2.5 - 4.0	50kA	25kA	ESWX-M25R79-U004	\$2,200.00	Z33
1 1/2	3	5	4.0 - 6.3	50kA	25kA	ESWX-M25R79-D063	\$2,200.00	Z33
3	5	7 1/2	6.3 - 10	50kA	25kA	ESWX-M25R79-U010	\$2,200.00	Z33
5	10	15	10 - 16	50kA	25kA	ESWX-M25R79-U016	\$2,200.00	Z33
7 1/2	15	15	16 - 20	50kA	25kA	ESWX-M25R79-U020	\$2,200.00	Z33
7 1/2	15	20	20 - 25	50kA	25kA	ESWX-M25R79-U025	\$2,200.00	Z33
10	20	25	25 - 32	42kA	25kA	ESWX-M25R79-U032	\$2,200.00	Z33

Explosion Proof Manual Motor Starters ESWX-M65 Series

- Nema 4X / 7 / 9 housing
- Hinged Cover for easy access
- ON / OFF – Rotary Handle
- Lockable in OFF position
- Available up to 50 hp @ 460 Vac – 65 amps

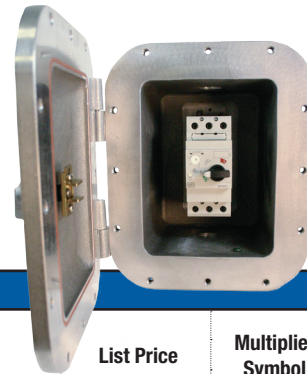


ESWX-M65 - PRODUCT SELECTION

Max 3 Phase UL HP			Thermal Setting	Short-Circuit interruption capacity		Catalog Number	List Price	Multiplier Symbol
Three Phase				[A]	480 Vac			
230V	460V	575V						
15	25	30	32 - 40	35kA	10kA	ESWX-M65R79-U040	\$2,600.00	Z33
15	30	40	40 - 50	35kA	10kA	ESWX-M65R79-U050	\$2,600.00	Z33
20	50	60	50 - 65	35kA	10kA	ESWX-M65R79-U065	\$2,600.00	Z33

Explosion Proof Manual Motor Starters ESWX-M100 Series

- Nema 4X / 7 / 9 housing
- Hinged Cover for easy access
- ON / OFF – Rotary Handle
- Lockable in OFF position
- Available up to 75 hp @ 460 Vac – 100 amps



ESWX-M100 - PRODUCT SELECTION

Max 3 Phase UL HP			Thermal Setting	Short-Circuit interruption capacity		Catalog Number	List Price	Multiplier Symbol
Three Phase				[A]	480 Vac			
230V	460V	575V						
25	50	60	55 - 75	50kA	10kA	ESWX-M100R79-U075	\$3,350.00	Z33
30	60	75	70 - 90	50kA	10kA	ESWX-M100R79-U090	\$3,350.00	Z33
30	75	100	80 - 100	50kA	10kA	ESWX-M100R79-U100	\$3,350.00	Z33

Explosion Proof Manual Motor Starters Accessories

ACCESSORIES FOR MPW16 / 25 / 65 - Summary

Description	Catalog Number	List Price	Multiplier Symbol
Auxiliary Contact Blocks			
1NO&1NC auxiliary contact block front mounting - 250Vmax.	ACBF-11	\$20	Z4
1NO&1NC auxiliary contact block left side mounting - 600Vmax.	ACBS-11	\$22	Z4
2NO Auxiliary contact block left side mounting - 600Vmax.	ACBS-20	\$22	Z4
2NC Auxiliary contact block left side mounting - 600Vmax.	ACBS-02	\$22	Z4
Under Voltage and Shunt Block Releases			
Shunt release block right side mounting - 20-24V 50/60Hz	SRMP D51	\$56	Z4
Shunt release block right side mounting - 100-127V 50/60Hz	SRMP D59	\$56	Z4
Shunt release block right side mounting - 200-240V 50/60Hz	SRMP D65	\$56	Z4
Under voltage release block right side mounting - 24V 60Hz	URMP V05	\$56	Z4
Under voltage release block right side mounting - 120V 60Hz	URMP V18	\$56	Z4
Under voltage release block right side mounting - 208V 60Hz	URMP V23	\$56	Z4
Under voltage release block right side mounting - 240V 60Hz	URMP V30	\$56	Z4
Under voltage release block right side mounting - 480V 60Hz	URMP V47	\$56	Z4

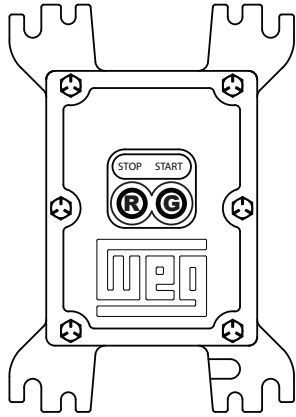
ACCESSORIES FOR MPW100 - Summary

Description	Catalog Number	List Price	Multiplier Symbol
Auxiliary Contact Blocks			
1NO&1NC auxiliary contact block front mounting - 250Vmax.	ACBF-11 MPW100	\$20	Z4
1NO&1NC auxiliary contact block left side mounting - 600Vmax.	ACBS-11 MPW100	\$22	Z4
2NO Auxiliary contact block left side mounting - 600Vmax.	ACBS-20 MPW100	\$22	Z4
2NC Auxiliary contact block left side mounting - 600Vmax.	ACBS-02 MPW100	\$22	Z4
Under Voltage and Shunt Block Releases			
Shunt release block right side mounting - 120V 50/60Hz	SRMP V18 MPW100	\$56	Z4
Shunt release block right side mounting - 240-260V 60Hz	SRMP V33 MPW100	\$56	Z4
Under voltage release block right side mounting - 120V 60Hz	URMP V18 MPW100	\$56	Z4
Under voltage release block right side mounting - 240V 60Hz	URMP V33 MPW100	\$56	Z4
Under voltage release block right side mounting - 460V 60Hz	URMP V43 MPW100	\$56	Z4

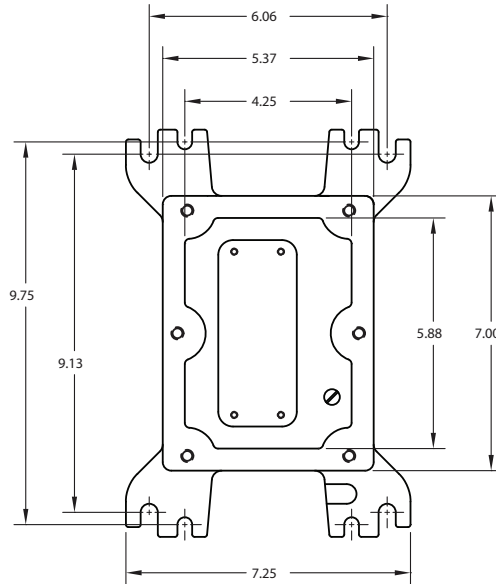


Dimensions (in)

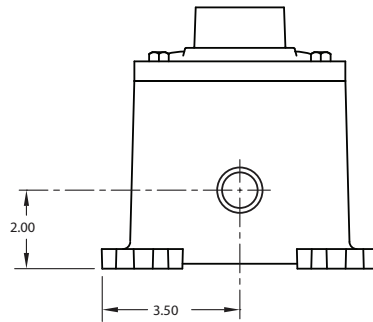
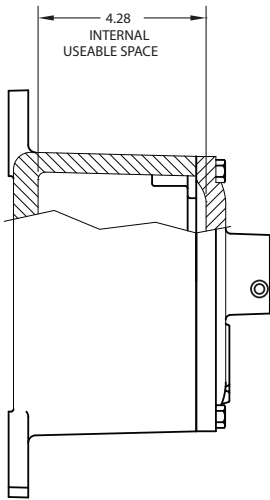
ESWX-M16



FRONT



FRONT
(w/DOOR REMOVED)



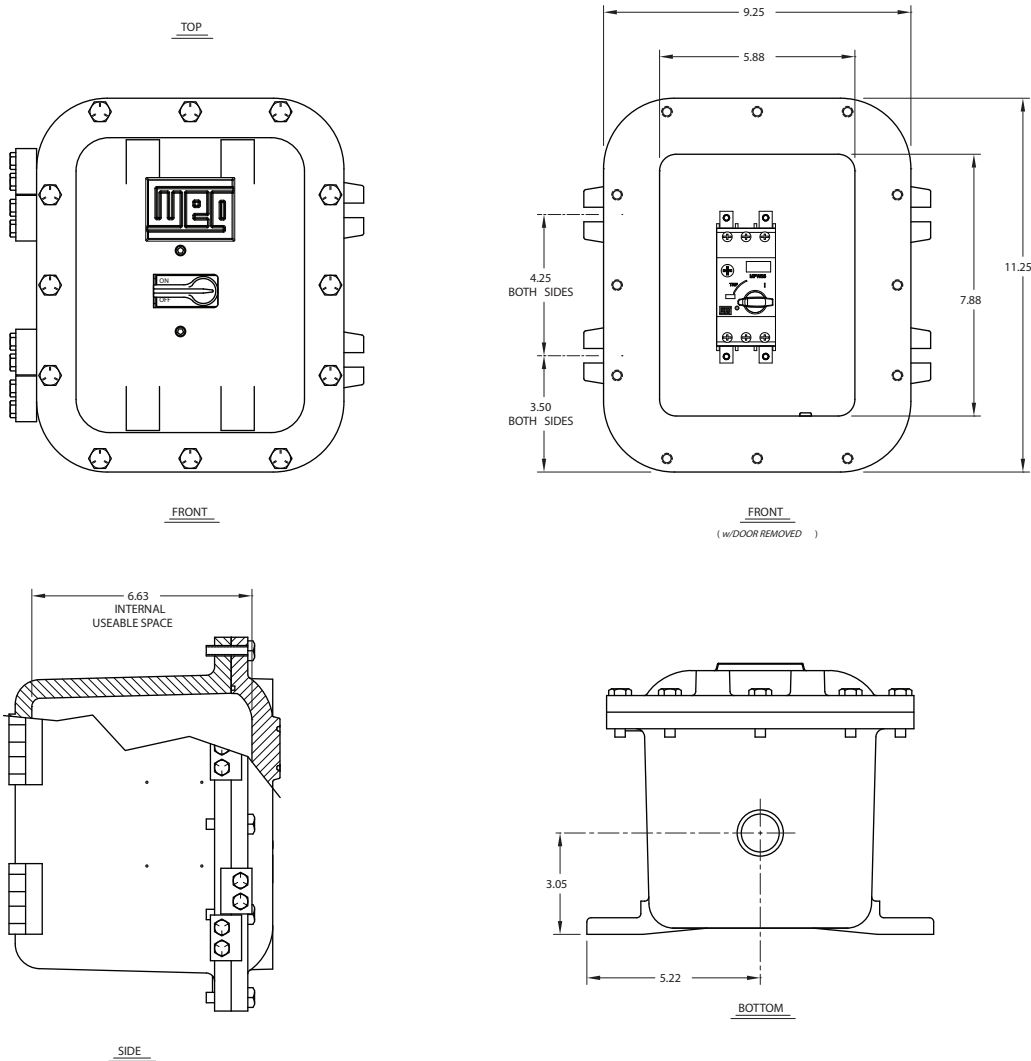
BOTTOM

Certifications

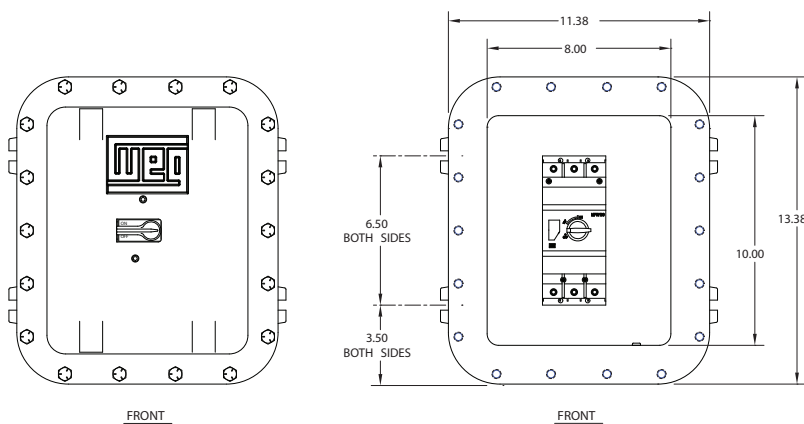
Class I, Groups C & D
Class II, Groups E, F, & aG
UL Standard 1203 (Classified)
NEMA 7 (C&D), 9 (E, F, & G)



Dimensions (in) ESWX-M25 and ESWX-M65



Dimensions (in) ESWX-M100



Certifications

Class I, Groups C & D
 Class II, Groups E, F, & aG
 UL Standard 1203 (Classified)
 NEMA 7 (C&D), 9 (E, F, & G)





WEG Electric Corp. offers the following products, and more! With a full range of IEC/NEMA Global Certifications and a full line of products, WEG can supply the right solution for your needs anywhere in the world. To learn more about WEG's products and solutions or to locate a Distributor near you, please call **1-800-ASK-4WEG** or visit **www.weg.net/us**.

**Low Voltage Motors,
Single and 3-Phase, 1/8 – 700HP**

- General Purpose Motors
- Explosion Proof Motors
- Crusher Duty Motors
- IEC Tru-Metric Motors
- Pump Motors including JP/JM
- P-Base Pump Motors
- Oil Well Pumping Motors
- Pool & Spa Motors
- Brake Motors
- Compressor Duty Motors
- Farm Duty Motors
- Poultry Fan Motors
- Auger Drive Motors
- IEEE 841 Motors
- Stainless Steel Wash Down Motors
- Saw Arbor Motors
- Cooling Tower Motors
- Commercial HVAC Motors
- Pad Mounted Motors
- Vector Duty Motors

Large Electric Motors

- Low Voltage 3-phase motors up to 2,500HP
- Motors up to 70,000HP and 13,200V
- Wound Rotor Systems (including starters) up to 70,000HP and 13,200V
- Synchronous Motors up to 70,000HP and 13,200V
- Explosion proof motors (Ex-d) up to 1,500kW and 11kV
- Ex-n, Ex-e, Ex-p motors

Variable Frequency Drives

- Low Voltage 1/4 to 2500HP, 230V – 480V
- Medium Voltage 500-8000HP
- Multi-pump systems
- NEMA 4X
- Dynamic braking resistors
- Line and load reactors
- Plug and play technology
- Network communications: Profibus-DP, DeviceNet, Modbus-RTU
- PLC functions integrated
- Complete line of options and accessories

Soft Starters

- 3-1500HP
- Oriented start-up
- Built-in bypass contactor
- Universal source voltage (230-575V, 50/60Hz)
- Network communications: Profibus-DP, DeviceNet, Modbus-RTU
- Complete Line of options and accessories
- MV Soft-starter 3.3kV, 4.16kV: up to 3500HP, Withdrawable Power Stacks, & 8x PT100 Temperature monitoring

Controls

- Mini – Contactors
- IEC Contactors
- Thermal Overload Relays
- Manual Motor Protectors
- Molded Case Circuit Breakers
- Smart Relays
- Enclosed Starters: combination & non-combination,
- Pushbuttons & Pilot Lights
- Timing & Motor Protection Relays
- Terminal Blocks

Custom Panels

- Custom configured to your specification.
- NEMA 1, 12, 3R, 4 and 4X cabinets
- Quick delivery of preconfigured drives and soft starters
- UL 508 certified
- Low Voltage (230-460)
- Made in the U.S.A.

Generators

- Brushless Synchronous Generators for diesel gen-sets up to 4,200kVA
- Hydro-generators up to 25,000kVA
- Turbo-generators up to 62,500kVA

Power Transformers

- Built and engineered in North America
- Voltages < 500kV
- Ratings 5-300MVA
- Station class, oil filled, round core, copper windings
- Special configurations and designs available!
- Ask your WEG Sales Representative for details.
- Designed, built, and engineered to ANSI standards.

Custom Solution Package Sales

- WEG can package any of its products for ease of sale! Enjoy a single point of contact for the entire package of products and assistance from quote through after-sales support. Ask your WEG Sales Representative for details.



WEG Electric Corp.
6655 Sugarloaf Parkway
Duluth, GA 30097
Phone: 1-800-ASK-4WEG
web: www.weg.net

