

Enclosed Starters

ESWE

ESWE Series Combination Starters Type E with/without CPT

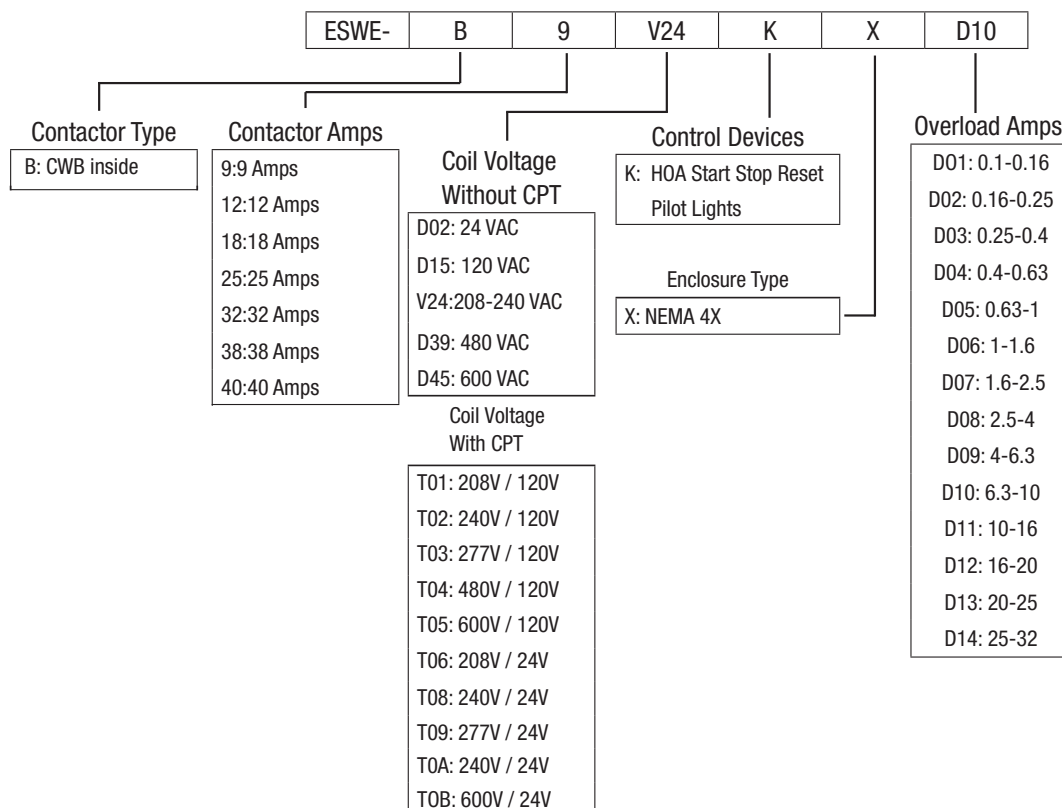
High performance and optimized solutions for motor starting and control. WEG offers full voltage non-reversing combination starters, ESWE series, up to 20 HP at 460VAC (40A) with or without control power transformers for three-phase applications.



Standard Features

- Standard Enclosure Type: non-metallic 4X
- Control Power Transformer: with or without
 - *CPT primary 575V – secondary 120V
 - *CPT primary 480V/240V – secondary 120V
- Branch Disconnect: rotary through-the-door handle
- Short-Circuit Protection: manual motor protection
- Motor Control: magnetic IEC contactor
- Overload Protection: manual motor protection
- Standard Control Devices: HAND-OFF-AUTO switch, START and STOP pushbuttons, pilot lights
- Custom enclosure and control options available upon request

ESWE Part Number Breakdown



Combination Type-E Across The Line Starter

- Branch Disconnect: Rotary through-the-door Handle
- Short-Circuit Protection: Manual Motor Protection
- Motor Control: Magnetic Contactor
- Overload Protection: Manual Motor Protection
- Control Devices: Hand-Off-Auto switch, Start-Stop pushbutton, pilot lights
- Other enclosure options available upon request

Three-Phase without CPT - Enclosure Type-4X

Combination Type-E Across The Line Starter

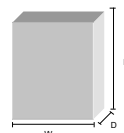
Max. 3-ph Hp Motors				Overload Setting Range (A)	Coil Voltage ¹⁾ (Vac)	Non-Metallic Enclosure Type 4X			Multiplier New(Old)
200V	230V	460V	575V			Catalog Number	List Price	Box Size	
-	-	1/2	1/2	0.63 - 1.0	120	ESWE-B9D15KX-D05	\$855	E-1	Z3C (Z3)
					480				
1/4	1/3	3/4	1	1.0 - 1.6	120	ESWE-B9D15KX-D06	\$855	E-1	
					208-240				
1/2	1/2	1-1/2	1-1/2	1.6 - 2.5	480	ESWE-B9D39KX-D06	\$855	E-1	
					120				
3/4	1	2	3	2.5 - 4.0	208-240	ESWE-B9V24KX-D07	\$855	E-1	
					480				
1-1/2	1-1/2	3	5	4.0 - 6.3	120	ESWE-B9D15KX-D08	\$855	E-1	
					208-240				
3	3	5	7-1/2	6.3 - 10	480	ESWE-B9D39KX-D08	\$865	E-1	
					120				
5	5	10	15	10 - 16	208-240	ESWE-B9V24KX-D09	\$875	E-1	
					480				ESWE-B9D39KX-D09
7-1/2	7-1/2	15	15	16 - 20	120	ESWE-B9D15KX-D10	\$900	E-1	
					208-240				ESWE-B9V24KX-D10
10	10	20	25	25 - 32	480	ESWE-B9D39KX-D10	\$990	E-1	
					120				ESWE-B18D15KX-D11
					208-240	ESWE-B18V24KX-D11			
					480	ESWE-B18D39KX-D11			
					120	ESWE-B25D15KX-D12			
					208-240	ESWE-B25V24KX-D12			
					480	ESWE-B25D39KX-D12			
					120	ESWE-B40D15KX-D14			
					208-240	ESWE-B40V24KX-D14			
					480	ESWE-B40D39KX-D14			

Three-Phase with CPT - Enclosure Type-4X

Max. 3-ph Hp Motors				Overload Setting Range (A)	Coil Voltage (prim. / sec.) (Vac)	Non-Metallic Enclosure Type 4X			Multiplier New(Old)	
200V	230V	460V	575V			Catalog Number	List Price	Box Size		
-	-	1/2	1/2	0.63 - 1.0	480 / 120	ESWE-B9T04KX-D05	\$1,140	E-1	Z3C (Z3)	
					575 / 120					ESWE-B9T05KX-D05
					240 / 120					ESWE-B9T02KX-D06
1/4	1/3	3/4	1	1.0 - 1.6	480 / 120	ESWE-B9T04KX-D06	\$1,140	E-1		
					575 / 120					ESWE-B9T05KX-D06
1/2	1/2	1-1/2	1-1/2	1.6 - 2.5	240 / 120	ESWE-B9T02KX-D07	\$1,140	E-1		
					480 / 120					ESWE-B9T04KX-D07
3/4	1	2	3	2.5 - 4.0	575 / 120	ESWE-B9T05KX-D07	\$1,140	E-1		
					240 / 120					ESWE-B9T02KX-D08
1-1/2	1-1/2	3	5	4.0 - 6.3	480 / 120	ESWE-B9T04KX-D08	\$1,140	E-1		
					575 / 120					ESWE-B9T05KX-D08
3	3	5	7-1/2	6.3 - 10	240 / 120	ESWE-B9T02KX-D09	\$1,140	E-1		
					480 / 120				ESWE-B9T04KX-D09	
5	5	10	15	10 - 16	575 / 120	ESWE-B9T05KX-D09	\$1,155	E-1		
					240 / 120				ESWE-B9T02KX-D10	
7-1/2	7-1/2	15	15	16 - 20	480 / 120	ESWE-B9T04KX-D10	\$1,175	E-1		
					575 / 120				ESWE-B9T05KX-D10	
10	10	20	25	25 - 32	240 / 120	ESWE-B18T02KX-D11	\$1,260	E-1		
					480 / 120				ESWE-B18T04KX-D11	
					575 / 120	ESWE-B18T05KX-D11				
					240 / 120	ESWE-B25T02KX-D12				
					480 / 120	ESWE-B25T04KX-D12				
					575 / 120	ESWE-B25T05KX-D12				
					240 / 120	ESWE-B40T02KX-D14				
					480 / 120	ESWE-B40T04KX-D14				
					575 / 120	ESWE-B40T05KX-D14				

Notes:

- 1) Please contact your local WEG representative for starters with 575V coil voltage.
- 3-phase starters with 120V coil are pre-wired for separate control
- 3-phase starters can be wired for single-phase applications

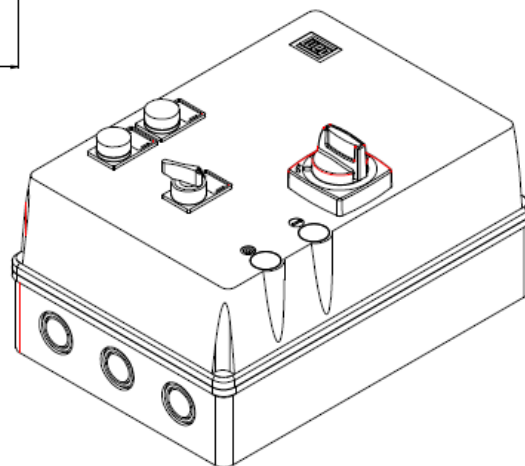
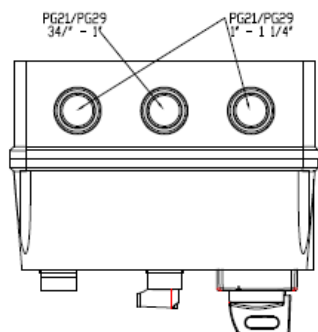
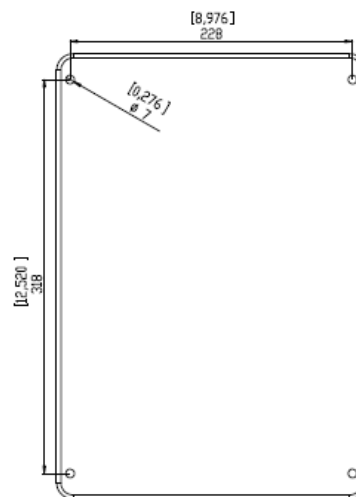
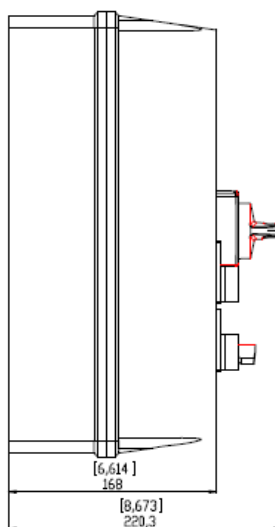
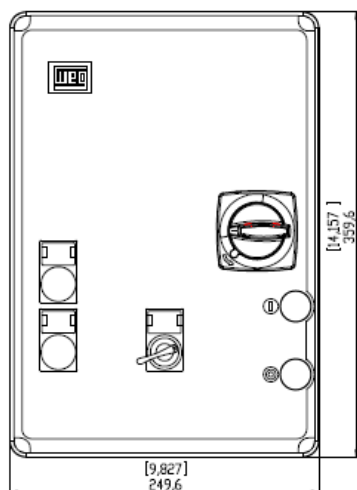
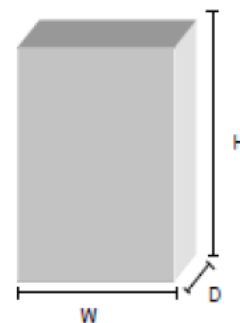


Dimensions (inches)			
Box Size	Enclosure Size		
	H	W	D
E-1	14.2	9.9	6.6

ESWE

Dimensions (in) - ESWE Series

Enclosure Size	Dimensions (in)		
	H	W	D
E-1	14.2	9.9	6.6



General Information

Circuit Protection

Disconnect Switches

Motor Protectors

Contactors

Overloads

Enclosed Starters

Electronic Relays

Pushbuttons and Pilot Lights

Terminal Blocks

Power Factor Correction

Appendix A

Appendix B

Appendix C