

# WEG Automation Catalog

Power and Control Products

Enclosed Starters



# Table of Contents

Index – Industrial Controls



## Enclosed Starters

Standard Features .....	258
ESW Product Selection .....	264
PESW Product Selection.....	268
ESWC Product Selection .....	273
ESWE Product Selection.....	276
ESWF Product Selection.....	279
ESWX Product Selection.....	283
Data Worksheet and Request for Quote .....	290

Enclosed  
Starters

# Enclosed Starters

## Operation and Protection of Motors up to 600Hp at 460Vac (800A)

WEG enclosed starters series were designed to meet the requirements and flexibility frequently demanded in industrial applications. Featuring components that meet IEC design standards and UL horsepower ratings, WEG enclosed starters are UL508A approved and cULus certified. This means your panels will fulfill the rigorous requirements of UL508A and will have the quality and performance as for all WEG products

### Standard or Custom

By having most of the processes in WEG facilities we can manufacture not only the enclosed starters listed on this catalog, but also any other custom panel your application may require. Our Engineers will work together with you to provide the perfect solution for your application.



### Perfect Solution

WEG offers options for both: Full Voltage Non-Reversing Non-Combination Starters and Full Voltage Non-Reversing Combination Starters up to 250Hp at 460Vac.

WEG's UL508A panel shops can manufacture any configuration of Non-Combination or Combination Starters for any low voltage horsepower ratings. Some examples are listed below:

- Enclosed Contactors
- Full Voltage Reversing Starters
- Reduced Voltage Magnetic Starters  
(Part-Winding, Wye-Delta)
- Reduced Voltage Solid-State Starters
- Multi-Speed Starters
- Explosion Proof Starters

Whenever you need a reliable product to control & protect your application, WEG field specialists can help you find the best solution.










### New Concepts

Smaller size components allow selection of smaller enclosures which translates to cost savings. A wide range of ratings and frames allow the components to be more closely matched to your application. Our overload relays provide phase loss sensitivity, ambient temperature compensated for -4F to +140F (eliminating the need for additional heaters), and automatic reset for remote applications.

A wide range of industrial applications are covered: Pumps, Industrial Washing Machines, Compressors, Blowers, Cutting Machines, Conveyors, Lumber Processing and many others.

### Product Line Overview

#### NON-COMBINATION STARTERS

Type		ESW	PESW	ESWX-M	ESWX-M	ESWX
						
Maximum Horsepower Rating at 460Vac 60Hz	[Hp]	75	75	10	75	75
Maximum Rated Current I <sub>max</sub> (Iu)	[A]	105	105	16	105	105
Rated Operational Voltage	[V]	600	600	600	600	600
Enclosure Type		Metallic Type 1	Non-Metallic Type 4X	Cast Aluminum NEMA 7/9 NEMA 4X	Cast Aluminum Type 7/9	Cast Aluminum Type 7/9
Protections provided						
Motor Disconnect				✓	✓	
Motor Branch Short Circuit				✓	✓	
Motor Controller		✓	✓	✓	✓	✓
Motor Overload		✓	✓	✓	✓	✓
Accessories						
Pushbuttons		N/A	N/A	N/A	N/A	
Pilot light		N/A	N/A	N/A	N/A	
Emergency Stop		N/A	N/A	N/A	N/A	
Selector Switch		N/A	N/A	N/A	N/A	
Control Transformer		N/A	N/A	N/A	N/A	(available as an option)
Timing Relays (RTW Series)		N/A	N/A	N/A	N/A	(available as an option)
Protector Relay (RPW Series)		N/A	N/A	N/A	N/A	(available as an option)
Level Relay (RNW Series)		N/A	N/A	N/A	N/A	(available as an option)

General Information

Circuit Protection

Disconnect Switches

Motor Protectors

Contactors

Overloads

Enclosed Starters

Relays

Pushbuttons and Pilot Lights

Terminal Blocks

Power Factor Correction

Appendix A

Appendix B






# Enclosed Starters

Combination Starters  
Rotary Breaker Disconnect  
5 - 250HP @ 480vac

## Product Line Overview

### COMBINATION STARTERS

Type	ESWC	ESWE	ESWF
			
Maximum Horsepower Rating at 460Vac 60Hz [Hp]	250	20	75
Maximum Rated Current $I_{max}$ ( $I_u$ ) [A]	300	32	105
Rated Operational Voltage [V]	600	600	600
Enclosure Type	Metallic Type 1 Type 3R Type 4 / 12 Non-Metallic Type 4X	Non-Metallic Type 4X	Metallic Type 1 Type 3R Type 4 / 12 Non-Metallic Type 4X
<b>Protections provided</b>			
Motor Disconnect	✓	✓	✓
Motor Branch Short Circuit	✓	✓	✓
Motor Controller	✓	✓	✓
Motor Overload	✓	✓	✓

### Accessories

Pushbuttons		
Pilot light		
Emergency Stop		
Selector Switch		
Control Transformer	(available as an option)	(available as an option)
Timing Relays (RTW Series)	(available as an option)	
Protector Relay (RPW Series)	(available as an option)	
Level Relay (RNW Series)	(available as an option)	

# ESW/PESW



UL File No. E202315

WEG offers non-reversing and non-combination magnetic starters up to 75HP at 460Vac (105A). Featuring components that meet IEC design standards and UL horsepower ratings, incorporating WEG contactors and overload relays, the magnetic starters are ideal to protect and operate motors, ensuring smooth operation year-after year.

Three series are available:

- Metallic Type 1 – ESW Series
- Non-Metallic Type 4X – PESW Series
- Metallic Type NEMA 7/9 - ESWX Series

WEG ESW and PESW starters are pre-wired from the factory and recommended for all single and three phase applications where magnetic starters can be applied.

### Standard Features

- High horsepower ratings in four compact sizes
- Fast acceleration and high initial torque
- Bimetallic Overload Relays – class 10
- Adjustable trip current
- Ambient temperature compensated
- Phase-loss sensitivity protection
- Selectable Manual or Automatic RESET
- Electrically isolated NO-NC auxiliary contacts
- Easy to install and setup

General Information

Circuit Protection

Disconnect Switches

Motor Protectors

Contactors

Overloads

Enclosed Starters

Relays

Pushbuttons and Pilot Lights

Terminal Blocks

Power Factor Correction

Appendix A

Appendix B



### ESW Part Number Breakdown

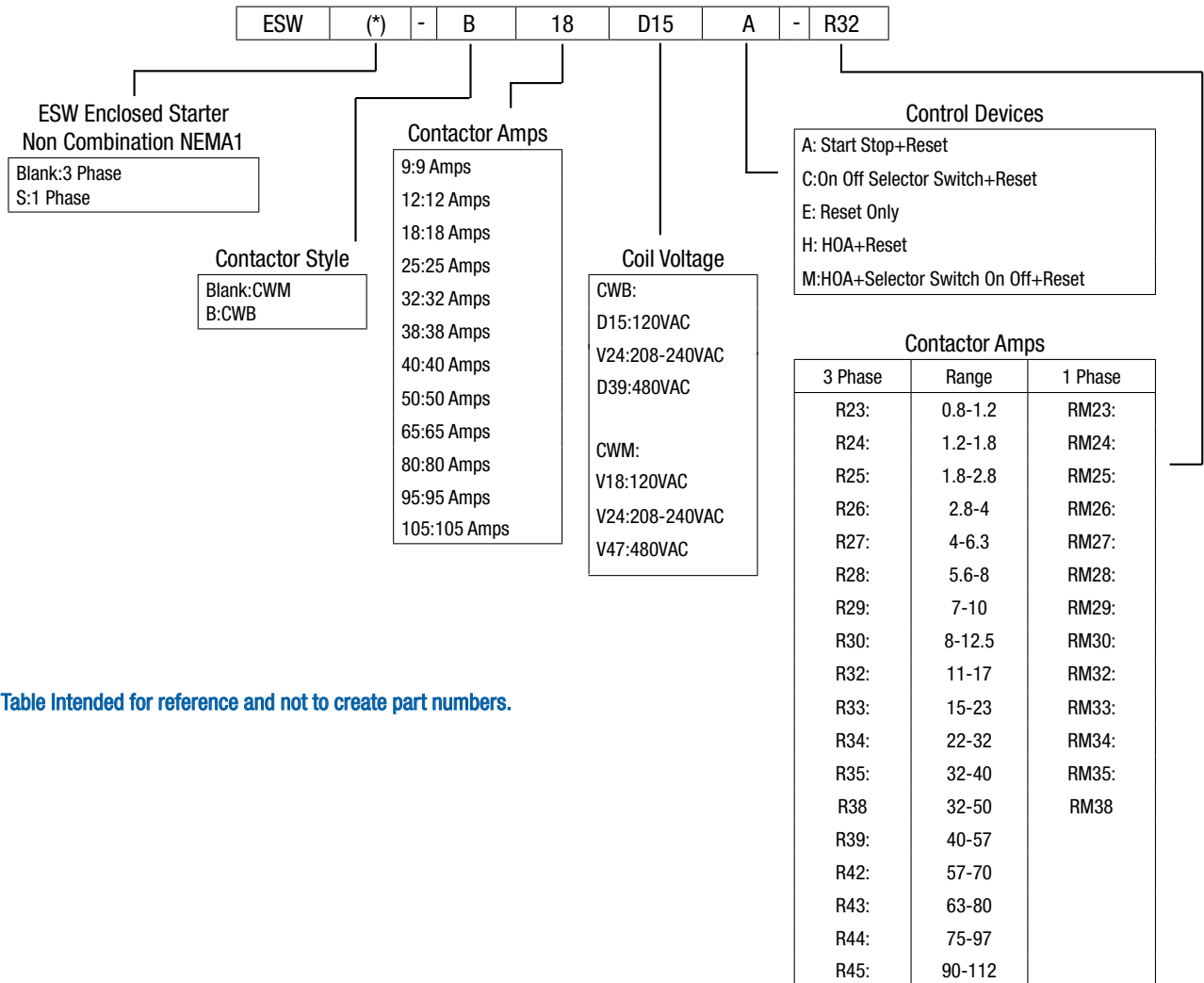


Table Intended for reference and not to create part numbers.

- General Information
- Circuit Protection
- Disconnect Switches
- Motor Protectors
- Contactors
- Overloads
- Enclosed Starters
- Relays
- Pushbuttons and Pilot Lights
- Terminal Blocks
- Power Factor Correction
- Appendix A
- Appendix B

## PESW Part Number Breakdown

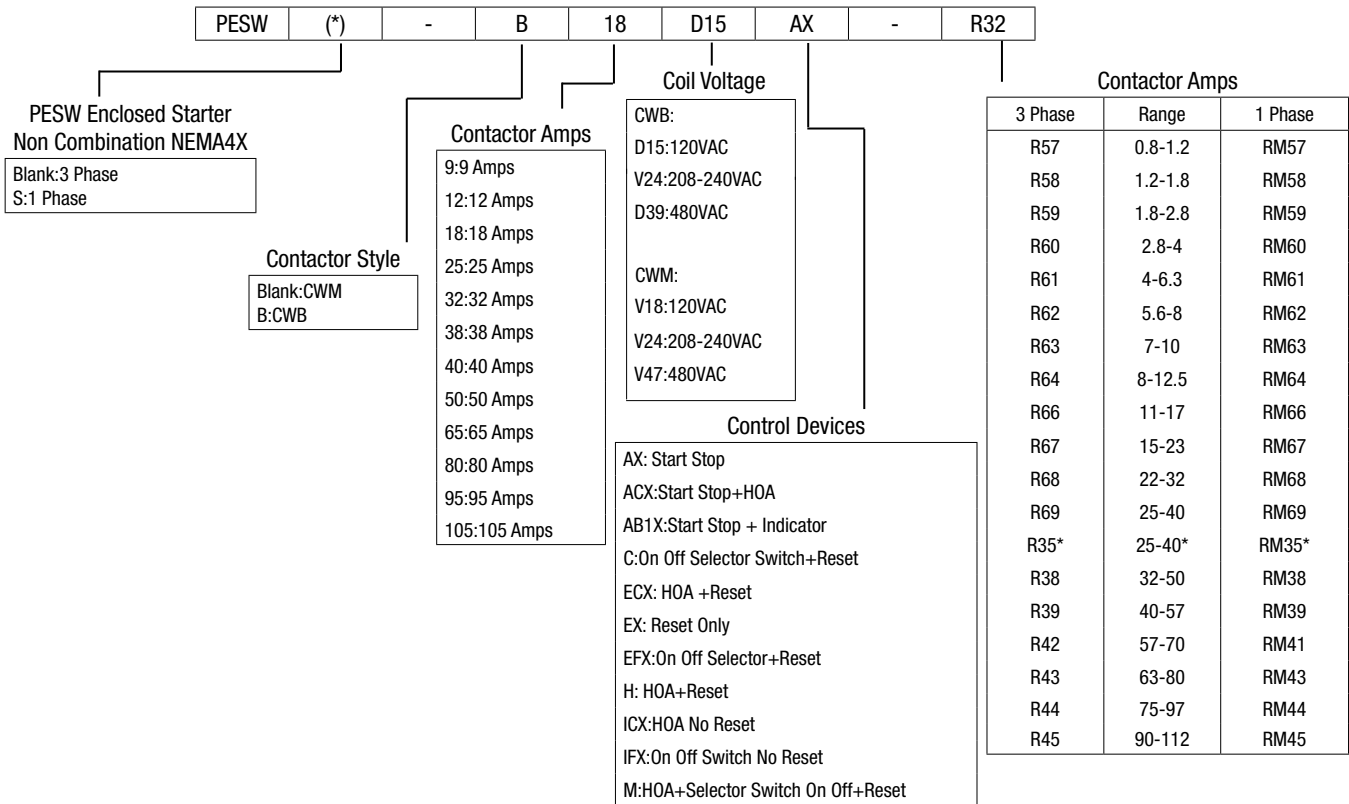


Table Intended for reference and not to create part numbers.

- General Information
- Circuit Protection
- Disconnect Switches
- Motor Protectors
- Contactor
- Overloads
- Enclosed Starters
- Relays
- Pushbuttons and Pilot Lights
- Terminal Blocks
- Power Factor Correction
- Appendix A
- Appendix B



# Enclosed Starters



ESW

NEMA 1 Enclosure - Three Phase



## ESW Series - Non-combination Across The Line Starter Three -Phase - Enclosure Type-1

	Max. UL Horsepower				Box	Setting Range	Coil Voltage	RESET only		START/STOP + RESET		Multiplier
	200V	230V	460V	575V				Catalog Number	List Price	Catalog Number	List Price	
Switches	-	-	1/2	1/2	M04	0.8 - 1.2	120	ESW-B9D15E-R23	\$157	ESW-B9D15A-R23	\$210	Z3
							208-240	ESW-B9V24E-R23		ESW-B9V24A-R23		
							480	ESW-B9D39E-R23		ESW-B9D39A-R23		
Protectors	-	-	3/4	1	M04	1.2 - 1.8	120	ESW-B9D15E-R24	\$157	ESW-B9D15A-R24	\$210	
							208-240	ESW-B9V24E-R24		ESW-B9V24A-R24		
							480	ESW-B9D39E-R24		ESW-B9D39A-R24		
Contactors	1/2	1/2	1	2	M04	1.8 - 2.8	120	ESW-B9D15E-R25	\$157	ESW-B9D15A-R25	\$210	
							208-240	ESW-B9V24E-R25		ESW-B9V24A-R25		
							480	ESW-B9D39E-R25		ESW-B9D39A-R25		
Overloads	3/4	3/4	2	3	M04	2.8 - 4.0	120	ESW-B9D15E-R26	\$157	ESW-B9D15A-R26	\$210	
							208-240	ESW-B9V24E-R26		ESW-B9V24A-R26		
							480	ESW-B9D39E-R26		ESW-B9D39A-R26		
Starters	1	1-1/2	3	5	M04	4.0 - 6.3	120	ESW-B9D15E-R27	\$157	ESW-B9D15A-R27	\$210	
							208-240	ESW-B9V24E-R27		ESW-B9V24A-R27		
							480	ESW-B9D39E-R27		ESW-B9D39A-R27		
Relays	2	2	5	5	M04	5.6 - 8.0	120	ESW-B9D15E-R28	\$157	ESW-B9D15A-R28	\$210	
							208-240	ESW-B9V24E-R28		ESW-B9V24A-R28		
							480	ESW-B9D39E-R28		ESW-B9D39A-R28		
Pushbuttons and Pilot Lights	2	3	5	7-1/2	M04	7.0 - 10	120	ESW-B9D15E-R29	\$157	ESW-B9D15A-R29	\$210	
							208-240	ESW-B9V24E-R29		ESW-B9V24A-R29		
							480	ESW-B9D39E-R29		ESW-B9D39A-R29		
Terminal Blocks	3	3	7-1/2	10	M04	8.0 - 12.5	120	ESW-B12D15E-R30	\$174	ESW-B12D15A-R30	\$227	
							208-240	ESW-B12V24E-R30		ESW-B12V24A-R30		
							480	ESW-B12D39E-R30		ESW-B12D39A-R30		
Power Factor Correction	3	5	10	15	M04	11 - 17	120	ESW-B18D15E-R32	\$188	ESW-B18D15A-R32	\$241	
							208-240	ESW-B18V24E-R32		ESW-B18V24A-R32		
							480	ESW-B18D39E-R32		ESW-B18D39A-R32		
Appendix A	5	7-1/2	15	15	M04	15 - 23	120	ESW-B25D15E-R33	\$223	ESW-B25D15A-R33	\$276	
							208-240	ESW-B25V24E-R33		ESW-B25V24A-R33		
							480	ESW-B25D39E-R33		ESW-B25D39A-R33		
Appendix B	10	10	20	25	M04	22 - 32	120	ESW-B32D15E-R34	\$245	ESW-B32D15A-R34	\$298	
							208-240	ESW-B32V24E-R34		ESW-B32V24A-R34		
							480	ESW-B32D39E-R34		ESW-B32D39A-R34		
Appendix A	10	--	25	--	M04	32-40	120	ESW-B38D15E-R35	\$292	ESW-B38D15A-R35	\$345	
							208-240	ESW-B38V24E-R35		ESW-B38V24A-R35		
							480	ESW-B38D39E-R35		ESW-B38D39A-R35		
Appendix B	10	10	30	25	M06	25-40	120	ESW-40V18E-R35	\$292	ESW-40V18A-R35	\$345	
							208-240	ESW-40V24E-R35		ESW-40V24A-R35		
							480	ESW-40V47E-R35		ESW-40V47A-R35		
Appendix A	15	15	30	40	M06	32 - 50	120	ESW-50V18E-R38	\$350	ESW-50V18A-R38	\$403	
							208-240	ESW-50V24E-R38		ESW-50V24A-R38		
							480	ESW-50V47E-R38		ESW-50V47A-R38		
Appendix B	15	20	40	50	M06	40 - 57	120	ESW-65V18E-R39	\$375	ESW-65V18A-R39	\$428	
							208-240	ESW-65V24E-R39		ESW-65V24A-R39		
							480	ESW-65V47E-R39		ESW-65V47A-R39		
Appendix A	20	25	50	60	M06	57 - 70	120	ESW-80V18E-R41	\$421	ESW-80V18A-R41	\$474	
							208-240	ESW-80V24E-R41		ESW-80V24A-R41		
							480	ESW-80V47E-R41		ESW-80V47A-R41		
Appendix B	25	30	60	75	M08	63 - 80	120	ESW-95V18E-R43	\$876	ESW-95V18A-R43	\$929	
							208-240	ESW-95V24E-R43		ESW-95V24A-R43		
							480	ESW-95V47E-R43		ESW-95V47A-R43		
Appendix A	30	30	75	75	M08	75 - 97	120	ESW-105V18E-R44	\$975	ESW-105V18A-R44	\$1,028	
							208-240	ESW-105V24E-R44		ESW-105V24A-R44		
							480	ESW-105V47E-R44		ESW-105V47A-R44		
Appendix B	30	40	75	-	M08	90 - 112	120	ESW-105V18E-R45	\$975	ESW-105V18A-R45	\$1,028	
							208-240	ESW-105V24E-R45		ESW-105V24A-R45		
							480	ESW-105V47E-R45		ESW-105V47A-R45		

Notes:

- 1) Please contact your local WEG representative for starters with other control voltage.
- 2) 3-phase starters can be wired for single-phase applications (see page 267 for single phase conversion diagram)



### NEMA 1 Enclosure – Single Phase

### ESW Series - Non-combination Across The Line Starter - Non Reversing Single Phase - Enclosure Type-1

Max. UL Horsepower		Box	Setting Range	Coil Voltage	RESET only		Start Stop Reset		Multiplier All Models
115V	230V				Catalog Number	List Price	Catalog Number	List Price	
-	-	M04	0.8-1.2	120	ESWS-B9D15E-RM23	\$135	ESWS-B9D15A-RM23	\$188	23
				208-240	ESWS-B9V24E-RM23		ESWS-B9V24A-RM23		
-	1/10	M04	1.2-1.8	120	ESWS-B9D15E-RM24	\$135	ESWS-B9D15A-RM24	\$188	
				208-240	ESWS-B9V24E-RM24		ESWS-B9V24A-RM24		
-	1/6	M04	1.8-2.8	120	ESWS-B9D15E-RM25	\$135	ESWS-B9D15A-RM25	\$188	
				208-240	ESWS-B9V24E-RM25		ESWS-B9V24A-RM25		
1/8	1/3	M04	2.8 - 4.0	120	ESWS-B9D15E-RM26	\$135	ESWS-B9D15A-RM26	\$188	
				208-240	ESWS-B9V24E-RM26		ESWS-B9V24A-RM26		
1/4	1/2	M04	4.0 - 6.3	120	ESWS-B9D15E-RM27	\$135	ESWS-B9D15A-RM27	\$188	
				208-240	ESWS-B9V24E-RM27		ESWS-B9V24A-RM27		
1/3	1	M04	5.6 - 8.0	120	ESWS-B9D15E-RM28	\$135	ESWS-B9D15A-RM28	\$188	
				208-240	ESWS-B9V24E-RM28		ESWS-B9V24A-RM28		
1/2	1-1/2	M04	7.0 - 10	120	ESWS-B9D15E-RM29	\$135	ESWS-B9D15A-RM29	\$188	
				208-240	ESWS-B9V24E-RM29		ESWS-B9V24A-RM29		
1/2	2	M04	8.0 - 12.5	120	ESWS-B12D15E-RM30	\$135	ESWS-B12D15A-RM30	\$227	
				208-240	ESWS-B12V24E-RM30		ESWS-B12V24A-RM30		
3/4	2	M04	10-15	120	ESWS-B18D15E-RM31	\$161	ESWS-B18D15A-RM31	\$241	
				208-240	ESWS-B18V24E-RM31		ESWS-B18V24A-RM31		
1	3	M04	11 - 17	120	ESWS-B18D15E-RM32	\$170	ESWS-B18D15A-RM32	\$241	
				208-240	ESWS-B18V24E-RM32		ESWS-B18V24A-RM32		
1-1/2	3	M04	15 -23	120	ESWS-B25D15E-RM33	\$180	ESWS-B25D15A-RM33	\$276	
				208-240	ESWS-B25V24E-RM33		ESWS-B25V24A-RM33		
2	5	M04	22 -32	120	ESWS-B32D15E-RM34	\$230	ESWS-B32D15A-RM34	\$276	
				208-240	ESWS-B32V24E-RM34		ESWS-B32V24A-RM34		
3	7-1/2	M04	32-40	120	ESWS-B38D15E-RM35	\$274	ESWS-B38D15A-RM35	\$327	
				208-240	ESWS-B38V24E-RM35		ESWS-B38V24A-RM35		
3	7-1/2	M06	25 - 40	120	ESWS-40V18E-RM35	\$274	ESWS-40V18A-RM35	\$351	
				208-240	ESWS-40V24E-RM35		ESWS-40V24A-RM35		
3	10	M06	32 - 50	120	ESWS-50V18E-RM38	\$330	ESWS-50V18A-RM38	\$423	
				208-240	ESWS-50V24E-RM38		ESWS-50V24A-RM38		

Notes: 1) OLR must be set at 115% of motor FLA  
ESWS - Single-phase version - assembled with 2 pole contactor and 2 pole overload relays

General Information

Circuit Protection

Disconnect Switches

Motor Protectors

Contactors

Overloads

Enclosed Starters

Relays

Pushbuttons and Pilot Lights

Terminal Blocks

Power Factor Correction

Appendix A

Appendix B

## ESWS

### Field Mod Kits for ESW/ESWS Series

Description	Accessories		Field Kit Modifications		
	Structure		Catalog Number	List Price	Multiplier
	Top	Bottom			
No Pilot Device Metal Brackets - 2 x 22mm holes w/ plugs	PLUG	PLUG	<b>KESWPP</b>	<b>\$25</b>	Z3
Start / Stop Pushbutton	PLUG	START - STOP	<b>KESWPS</b>	<b>\$74.50</b>	
Hand-Off-Auto Selector Switch	HAND - OFF - AUTO	PLUG	<b>KESWHP</b>	<b>\$74.50</b>	
Off-On Selector Switch	OFF - ON	PLUG	<b>KESWFP</b>	<b>\$74.50</b>	
E-stop	PLUG	E-STOP	<b>KESWPE</b>	<b>\$74.50</b>	



KESWPP



KESWPS



KESWHP



KESWFP

General Information

Circuit Protection

Disconnect Switches

Motor Protectors

Contactors

Overloads

Enclosed Starters

Relays

Pushbuttons and Pilot Lights

Terminal Blocks

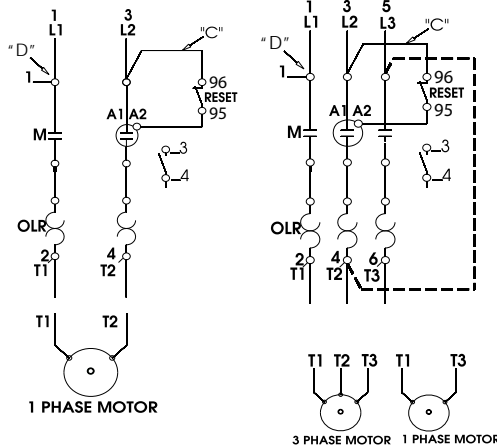
Power Factor Correction

Appendix A

Appendix B

## WIRING DIAGRAM

### Single-phase Starter    Three-phase Starter



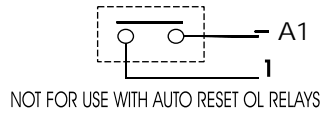
Conversion to single-phase, add jumper wire from L3 to T2 (follow dotted line connection above)

## Separate Control

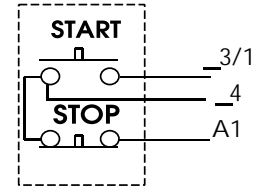
FOR SEPARATE CONTROL, REMOVE WIRES "C" AND "D" IF SUPPLIED AND CONNECT SEPARATE CONTROL LINES TO TERMINAL N° 96 ON THE OVERLOAD RELAY AND TO TERMINAL N° \_3 ON THE AUX. CONTACT BLOCK (FOR 3 WIRE CONTROL) OR TO THE CONTACTOR COIL N° A1 (FOR 2 WIRE CONTROL).

## Pilot Devices

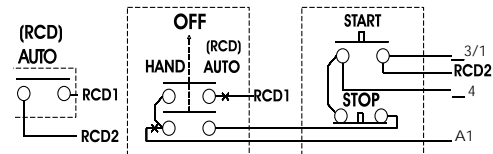
### 2 Wire Control



### 3 Wire Control



## Hand-Off Auto Wire Control (For ESW Series Only)



## DIMENSIONS

Provision for cable gland fitting	Standard			
	Top	Bottom	Side	Back
Box M04	2x (½" or ¾")	2x (½" or ¾")	4x (½" or ¾")	2x (½" or ¾")
	1x (¾" or 1")	1x (¾" or 1")	-	-
Box M06	1x (½" or ¾")	1x (½" or ¾")	3x (½" or ¾")	-
	2x (1" or 1-1/4")	2x (1" or 1-1/4")	4x (1" or 1-1/4")	-
Box M08	1x (1")	1x (1")	1x (1")	1x (1")
	1x (1-1/2")	1x (1-1/2")	4x (¾")	-

### Dimensions (approx. inches)

Enclosed Starters	Enclosure Size			
	BOX	H	W	D
ESW(S) 9, 12, 18, 25, 32, 38	M04	9.5	5.5	5.0
ESW(S) 40, 50, 65, 80	M06	13.0	7.5	5.6
ESW 95, 105	M08	17.8	9.5	6.7



General Information

Circuit Protection

Disconnect Switches

Motor Protectors

Contactors

Overloads

Enclosed Starters

Relays

Pushbuttons and Pilot Lights

Terminal Blocks

Power Factor Correction

Appendix A

Appendix B

# Enclosed Starters



PESW

**PESW Series - Non-combination Across the line starter**  
**Three-Phase Enclosure Type - 4X**



	Max. UL Horsepower				Box	Setting Range	Coil Voltage	RESET only		START/STOP + RESET		Multiplier
	200V	230V	460V	575V				Catalog Number	List Price	Catalog Number	List Price	
Disconnect Switches	-	-	1/2	1/2	05	0.8 - 1.2	120	PESW-B9D15EX-R57	\$157	PESW-B9D15AX-R57	\$210	Z3
							208-240	PESW-B9V24EX-R57		PESW-B9V24AX-R57		
							480	PESW-B9D39EX-R57		PESW-B9D39AX-R57		
Motor Protectors	-	-	3/4	1	05	1.2 - 1.8	120	PESW-B9D15EX-R58	\$157	PESW-B9D15AX-R58	\$210	
							208-240	PESW-B9V24EX-R58		PESW-B9V24AX-R58		
							480	PESW-B9D39EX-R58		PESW-B9D39AX-R58		
Contactors	1/2	1/2	1	2	05	1.8 - 2.8	120	PESW-B9D15EX-R59	\$157	PESW-B9D15AX-R59	\$210	
							208-240	PESW-B9V24EX-R59		PESW-B9V24AX-R59		
	3/4	3/4	2	3	05	2.8 - 4.0	120	PESW-B9D15EX-R60	\$157	PESW-B9D15AX-R60	\$210	
							208-240	PESW-B9V24EX-R60		PESW-B9V24AX-R60		
	1	1-1/2	3	5	05	4.0 - 6.3	120	PESW-B9D15EX-R61	\$157	PESW-B9D15AX-R61	\$210	
							208-240	PESW-B9V24EX-R61		PESW-B9V24AX-R61		
	2	2	5	5	05	5.6 - 8.0	120	PESW-B9D15EX-R62	\$157	PESW-B9D15AX-R62	\$210	
							208-240	PESW-B9V24EX-R62		PESW-B9V24AX-R62		
	2	3	5	7-1/2	05	7.0 - 10	120	PESW-B9D15EX-R63	\$157	PESW-B9D15AX-R63	\$210	
							208-240	PESW-B9V24EX-R63		PESW-B9V24AX-R63		
	3	3	7-1/2	10	05	8.0 - 12.5	120	PESW-B12D15EX-R64	\$174	PESW-B12D15AX-R64	\$227	
							208-240	PESW-B12V24EX-R64		PESW-B12V24AX-R64		
	3	5	10	15	05	11 - 17	120	PESW-B18D15EX-R66	\$188	PESW-B18D15AX-R66	\$241	
							208-240	PESW-B18V24EX-R66		PESW-B18V24AX-R66		
	5	7-1/2	15	15	05	15 - 23	120	PESW-B25D15EX-R67	\$223	PESW-B25D15AX-R67	\$276	
							208-240	PESW-B25V24EX-R67		PESW-B25V24AX-R67		
	10	10	20	25	05	22 - 32	120	PESW-B32D15EX-R68	\$262	PESW-B32D15AX-R68	\$298	
							208-240	PESW-B32V24EX-R68		PESW-B32V24AX-R68		
	10	--	25	--	05	32-40	120	PESW-B38D15EX-R69	\$321	PESW-B38D15AX-R69	\$345	
							208-240	PESW-B38V24EX-R69		PESW-B38V24AX-R69		
							480	PESW-B38D39EX-R69		PESW-B38D39AX-R69		

continued on next page

Appendix A  
Appendix B

**PESW Series - Non-combination Across the line starter - continued**  
**Three-Phase Enclosure Type - 4X**

Max. UL Horsepower				Box	Setting Range	Coil Voltage	RESET only		START/STOP + RESET		Multiplier
200V	230V	460V	575V				Catalog Number	List Price	Catalog Number	List Price	
10	10	25	20	06	25 - 40	120	PESW-40V18EX-R35	\$321	PESW-40V18AX-R35	\$345	Z3
						208-240	PESW-40V24EX-R35		PESW-40V24AX-R35		
						480	PESW-40V47EX-R35		PESW-40V47AX-R35		
15	15	30	40	08	32 - 50	120	PESW-50V18EX-R38	\$564	PESW-50V18AX-R38	\$579	
						208-240	PESW-50V24EX-R38		PESW-50V24AX-R38		
						480	PESW-50V47EX-R38		PESW-50V47AX-R38		
15	20	40	50	08	40 - 57	120	PESW-65V18EX-R39	\$589	PESW-65V18AX-R39	\$604	
						208-240	PESW-65V24EX-R39		PESW-65V24AX-R39		
						480	PESW-65V47EX-R39		PESW-65V47AX-R39		
20	25	50	60	08	57 - 70	120	PESW-80V18EX-R41	\$635	PESW-80V18AX-R41	\$650	
						208-240	PESW-80V24EX-R41		PESW-80V24AX-R41		
						480	PESW-80V47EX-R41		PESW-80V47AX-R41		
25	30	60	75	10	63 - 80	120	PESW-95V18EX-R43	\$1,085	PESW-95V18AX-R43	\$1,100	
						208-240	PESW-95V24EX-R43		PESW-95V24AX-R43		
						480	PESW-95V47EX-R43		PESW-95V47AX-R43		
30	30	75	75	10	75 - 97	120	PESW-105V18EX-R44	\$1,184	PESW-105V18AX-R44	\$1,199	
						208-240	PESW-105V24EX-R44		PESW-105V24AX-R44		
						480	PESW-105V47EX-R44		PESW-105V47AX-R44		
30	40	75	-	10	90 -112	120	PESW-105V18EX-R45	\$1,184	PESW-105V18AX-R45	\$1,199	
						208-240	PESW-105V24EX-R45		PESW-105V24AX-R45		
						480	PESW-105V47EX-R45		PESW-105V47AX-R45		

**Notes:**

- 1) OLR must be set @115% of FLA
- 2) 3-phase starters with 120V coil are wired for separate control
- 3) 3-phase starters can be wired for single-phase applications (see diagram) on page 271

## PESW

PESW Series - Non-combination Across the line starter  
Single Phase- Enclosure Type-4X




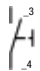
Max. UL Horsepower	Box	Setting Range	Coil Voltage	RESET only		START/STOP + RESET		Multiplier	
				Catalog Number	List Price	Catalog Number	List Price		
115V	230V								
1/8	1/3	05	2.8 - 4.0	120 208-240	PESWS-B9D15EX-RM60 PESWS-B9V24EX-RM60	\$140	PESWS-B9D15AX-RM60 PESWS-B9V24AX-RM60	\$155	Z3
1/4	1/2	05	4.0 - 6.3	120 208-240	PESWS-B9D15EX-RM61 PESWS-B9V24EX-RM61	\$140	PESWS-B9D15AX-RM61 PESWS-B9V24AX-RM61	\$155	
1/3	1	05	5.6 - 8.0	120 208-240	PESWS-B9D15EX-RM62 PESWS-B9V24EX-RM62	\$140	PESWS-B9D15AX-RM62 PESWS-B9V24AX-RM62	\$155	
1/2	1-1/2	05	7.0 - 10	120 208-240	PESWS-B9D15EX-RM63 PESWS-B9V24EX-RM63	\$140	PESWS-B9D15AX-RM63 PESWS-B9V24AX-RM63	\$155	
1/2	2	05	8.0 - 12.5	120 208-240	PESWS-B12D15EX-RM64 PESWS-B12V24EX-RM64	\$140	PESWS-B12D15AX-RM64 PESWS-B12V24AX-RM64	\$155	
3/4	2	05	10 - 15	120 208-240	PESWS-B18D15EX-RM65 PESWS-B18V24EX-RM65	\$161	PESWS-B18D15AX-RM65 PESWS-B18V24AX-RM65	\$170	
1	3	05	11 - 17	120 208-240	PESWS-B18D15EX-RM66 PESWS-B18V24EX-RM66	\$170	PESWS-B18D15AX-RM66 PESWS-B18V24AX-RM66	\$182	
1-1/2	3	05	15 - 23	120 208-240	PESWS-B25D15EX-RM67 PESWS-B25V24EX-RM67	\$180	PESWS-B25D15AX-RM67 PESWS-B25V24AX-RM67	\$195	
2	5	05	22 - 32	120 208-240	PESWS-B32D15EX-RM68 PESWS-B32V24EX-RM68	\$180	PESWS-B32D15AX-RM68 PESWS-B32V24AX-RM68	\$195	
3	7-1/2	05	32-40	120 208-240	PESWS-B38D15EX-RM69 PESWS-B38V24EX-RM69	\$274	PESWS-B38D15AX-RM69 PESWS-B38V24AX-RM69	\$300	
3	7-1/2	06	25 - 40	120 208-240	PESWS-40V18EX-RM35 PESWS-40V24EX-RM35	\$274	PESWS-40V18AX-RM35 PESWS-40V24AX-RM35	\$300	
3	10	08	32 - 50	120 208-240	PESWS-50V18EX-RM38 PESWS-50V24EX-RM38	\$430	PESWS-50V18AX-RM38 PESWS-50V24AX-RM38	\$440	

Note: OLR must be set at 115% of motor FLA

## Accessories - Mounting in Control Stations

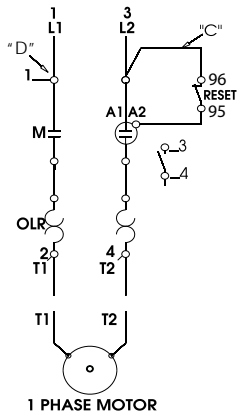
### Contact Block<sup>1</sup>

Replacement Base Mount Contact Blocks for PESWS(B) 9-38

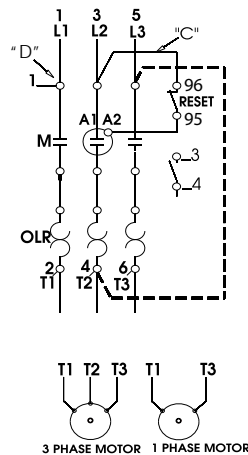
Description	Contacts	Diagram	Standard packing	Catalog Number	Price	Multiplier
 0.015 kg <sup>2)</sup>	1NO		1 piece	BC10B-CSW	\$5.00	Z5

## WIRING DIAGRAM

### Single-phase Starter



### Three-phase Starter



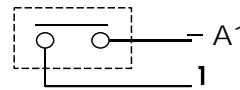
Conversion to single-phase, add jumper wire from L3 to T2 (follow dotted line connection above)

### Separate Control

FOR SEPARATE CONTROL, REMOVE WIRES "C" AND "D" IF SUPPLIED AND CONNECT SEPARATE CONTROL LINES TO TERMINAL N° 96 ON THE OVERLOAD RELAY AND TO TERMINAL N° \_3 ON THE AUX. CONTACT BLOCK (FOR 3 WIRE CONTROL) OR TO THE CONTACTOR COIL N° A1 (FOR 2 WIRE CONTROL).

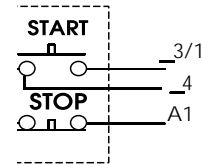
### Pilot Devices

#### 2 Wire Control



NOT FOR USE WITH AUTO RESET OL RELAYS.

#### 3 Wire Control

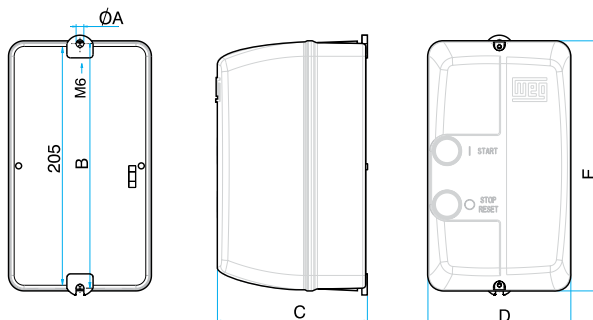


## DIMENSIONS

	SIZE 05 mm(in)	SIZE 06 mm (in)	SIZE 08 mm (in)	SIZE 10 mm (in)
$\phi A = 5.5$ (0.2165)	$\phi A = 6.5$ (0.3)	$\phi A = 6.0$ (0.2)	$\phi A = 7.0$ (0.3)	
B = 219.0 (8.622)	B = 205 (8.1)	B = 275 (10.8)	B = 355 (14.0)	
C = 112 (4.4331)	C = 126 (5.0)	C = 143 (5.6)	C = 167 (6.6)	
D = 114.0 (4.4882)	D = 120 (4.7)	D = 180 (7.1)	D = 250 (9.9)	
E = 217 ( 8.5433)	E = 210 (8.3)	E = 280 (11.0)	E = 360 (14.2)	

Provision for cable gland fitting	Standard		
	Top	Bottom	Back
Size 05	2 x 1/2" - 3/4" PG13.5	2 x 1/2" - 3/4" PG13.5	4 X 1/2" PG13.5
Size 06	2 x 1/2" - 3/4"	2 x 1/2" - 3/4"	$\phi 22\text{mm}$ (0.9in)
Size 08	2 x 3/4" and 1"	2 x 3/4" and 1"	-
Size 10	2 x 3/4" and 1"	2 x 3/4" and 1"	-
	1 x 1" and 1 1/4"	1 x 1" and 1 1/4"	-



For wall mounting on starters size 08 and 10, four screws with the following characteristics should be used:

- Pan, dome or rounded shaped head;
- Starter size 08:
  - Screws size 1/4 (or M6 – ISO Standard);
  - Dimensions: diameter thread shall be maximum 1/4 in and diameter head shall be maximum 15/64 in.
- Starter size 10:
  - Screws size 1/2 (or M5 – ISO Standard);
  - Dimensions: diameter thread shall be maximum 0.236 in and diameter head shall be maximum 0.394 in.



# Enclosed Starters

Combination Starters  
 Rotary Breaker Disconnect  
 5 - 250HP @ 480vac

General Information

Circuit Protection

Disconnect Switches

Motor Protectors

Contactors

Overloads

Enclosed Starters

Relays

Pushbuttons and Pilot Lights

Terminal Blocks

Power Factor Correction

Appendix A

Appendix B

## ESWC Series Combination Starters

High performance and optimized solutions for motor starting and control. WEG offers full voltage non-reversing combination starters, ESWC series, up to 250 HP at 460VAC (300A) with control power transformers for three-phase applications.

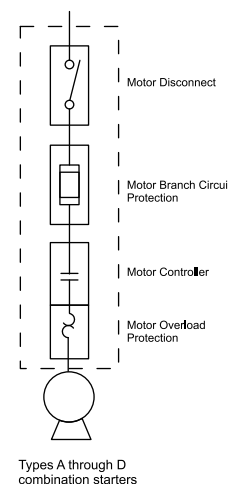


### Standard Features

- Multi-Rated Enclosure Type: 1/3R/4/12
- Multi-Voltage Transformer: primary 208V/230V/460V – secondary 120V
- Branch Disconnect: rotary through-the-door handle
- Short-Circuit Protection: molded case circuit breaker
- Motor Control: magnetic IEC contactor
- Overload Protection: solid-state overload relay
  - \*Selectable trip class 10, 20, 30
  - \*(5:1) ratio adjustable current setting
- Standard Control Devices: START, STOP and RESET pushbuttons
- Custom control options available upon request

### ESWC PART NUMBER CODE STRING MATRIX

Product Code	Contactor Size	Control Power Transformer (Pri/Sec) <sup>1</sup>	Control Options	Enclosure Type	Electronic Overload Range
ESWC	9 = 9 Amp	TM1 = 208/230/460V-120V <sup>1</sup>	A = RESET, START, STOP	9 = 1/3R/4/12	RE1 = 0.4 - 2.0 Amps
	12 = 12 Amp	T5 = 600V-120V	B = RESET, START, STOP, HOA	0 = 4X SS	RE2 = 1.6 - 8.0 Amps
	18 = 18 Amp		C = RESET, START/STOP SELECTOR		RE3 = 5.0 - 25 Amps
	25 = 25 Amp		D = RESET, STOP		RE4 = 8.0 - 40 Amps
	38 = 38 Amp		E = RESET		RE5 = 14 - 56 Amps
	65 = 65 Amp		I = NONE		RE6 = 28 - 112 Amps
	105 = 105 Amp		J = RESET, START, STOP, RUN LIGHT		RE7 = 50 - 250 Amps
	112 = 112 Amp		K = RESET, START, STOP, HOA, RUN LIGHT		RE8 = 85 - 420 Amps
	150 = 150 Amp		S = RESET, START, HOA		RE9 = 170 - 840 Amps



<sup>1</sup>Wired for 480V primary from the factory. Instructions and fuses provided for 208V - 230V field conversion

### ESWC Series – Full Voltage Non-Reversing Combination Starter

THREE-PHASE

- Branch Disconnect with Rotary Handle
- Start Stop Reset Control – Other Control Devices available as Options
- Magnetic Contactor and Solid State Overload
- Transformer 208,240 and 480vac Primary with 120vac Secondary, 600vac version also available

#### ESWC Series – Full Voltage Non-Reversing Combination Starter

FEEDER VOLTAGE	Motor HP Range (HP)	Overload Range (A)	Metallic Enclosure Type 1/3R/4/12			Multiplier
			Catalog Number	List Price	Box Size	
208VAC	0.5 - 1.5	1.6-8.0	ESWC-9TM1A9-RE2	\$2,020	B-1	23
240VAC	0.5 - 2					
480VAC	0.75 - 5					
600VAC	1 - 5		ESWC-9T5A9-RE2			
208VAC	1.5 - 3	5.0-25.0	ESWC-12TM1A9-RE3	\$2,020	B-1	
240VAC	1.5 - 3					
480VAC	5 - 7.5					
600VAC	5 - 10		ESWC-12T5A9-RE3			
208VAC	3 - 5	5.0-25.0	ESWC-18TM1A9-RE3	\$2,070	B-1	
240VAC	3 - 5					
480VAC	7.5 - 10					
600VAC	10 - 15		ESWC-18T5A9-RE3			
208VAC	5 - 7.5	8.0-40.0	ESWC-25TM1A9-RE4	\$2,070	B-1	
240VAC	5 - 7.5					
480VAC	7.5 - 15					
600VAC	15 - 20		ESWC-25T5A9-RE4			
208VAC	7.5 - 10	8.0-40.0	ESWC-38TM1A9-RE4	\$2,255	B-1	
240VAC	7.5 - 10					
480VAC	15 - 25					
600VAC	20 - 30		ESWC-38T5A9-RE4			
208VAC	10 - 20	28-112	ESWC-65TM1A9-RE6	\$2,552	B-1	
240VAC	10 - 20					
480VAC	25 - 40					
600VAC	30 - 60		ESWC-65T5A9-RE6			
208VAC	20 - 30	28-112	ESWC-105TM1A9-RE6	\$3,355	B-2	
240VAC	20 - 30					
480VAC	40 - 75					
600VAC	50 - 100		ESWC-105T5A9-RE6			
208VAC	30 - 50	50-250	ESWC-150TM1A9-RE7	\$5,400	B-3	
240VAC	30 - 50					
480VAC	75 - 125					
600VAC	75 - 150		ESWC-150T5A9-RE7			
208VAC	50 - 60	50-250	ESWC-180TM1A9-RE7	\$6,440	B-3	
240VAC	50 - 60					
480VAC	100 - 150					
600VAC	125 - 175		ESWC-180T5A9-RE7			
208VAC	60 - 100	85-420	ESWC-300TM1A9-RE8	\$7,500	B-3	
240VAC	60 - 125					
480VAC	150 - 250					
600VAC	175 - 300		ESWC-300T5A9-RE8			

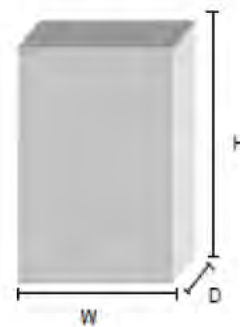
\*Note: Alternate Control options are available. See catalog number breakdown on previous page

\*Note: Wired for 480V primary from the factory. Instructions and fuses provided for 208V - 230V field conversion

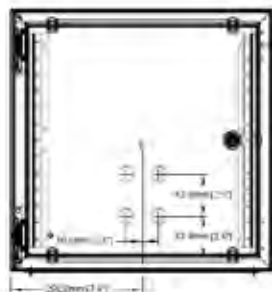
## ESWC

### Dimensions (in) - ESWC Series

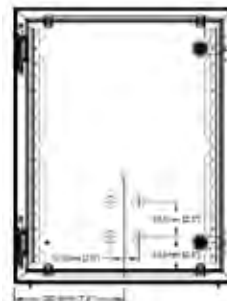
Enclosure Size	Dimensions (in/mm)		
	H	W	D
B1	15.75"/400mm	15.75"/400mm	7.87"/200mm
B2	19.69"/500mm	15.75"/400mm	7.87"/200mm
B3	31.5"/800mm	23.6"/600mm	11.8"/300mm



### B1 Enclosure



### B2 Enclosure



### B3 Enclosure



General Information

Circuit Protection

Disconnect Switches

Motor Protectors

Contactors

Overloads

Enclosed Starters

Relays

Pushbuttons and Pilot Lights

Terminal Blocks

Power Factor Correction

Appendix A

Appendix B

## ESWE Series Combination Starters Type E with/without CPT

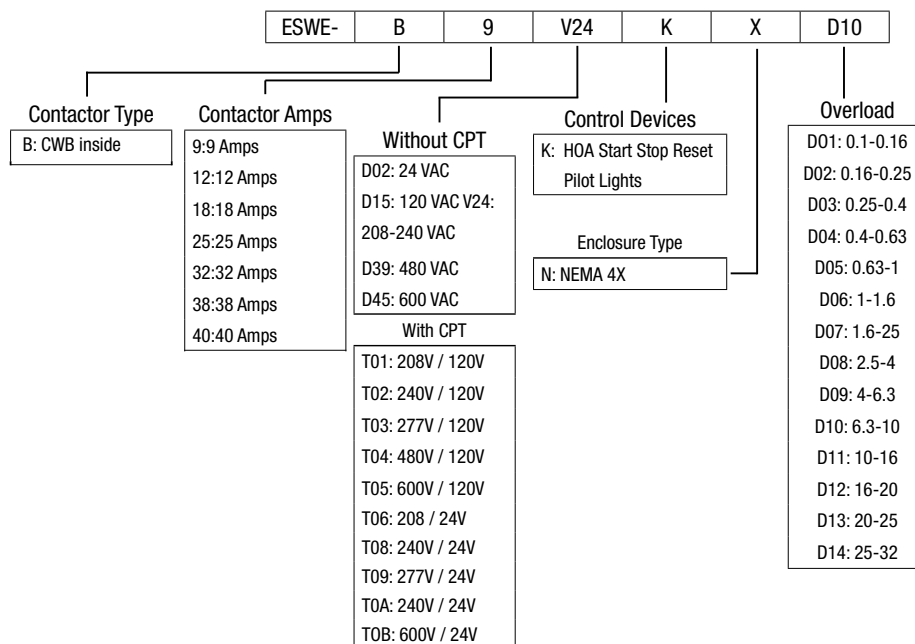
High performance and optimized solutions for motor starting and control. WEG offers full voltage non-reversing combination starters, ESWE series, up to 20 HP at 460VAC (40A) with or without control power transformers for three-phase applications.

### Standard Features

- Standard Enclosure Type: non-metallic 4X
- Control Power Transformer: with or without
  - \*CPT primary 575V – secondary 120V
  - \*CPT primary 480V/240V – secondary 120V
- Branch Disconnect: rotary through-the-door handle
- Short-Circuit Protection: manual motor protection
- Motor Control: magnetic IEC contactor
- Overload Protection: manual motor protection
- Standard Control Devices: HAND-OFF-AUTO switch, START and STOP pushbuttons, pilot lights
- Custom enclosure and control options available upon request



### ESWE Part Number Breakdown



- General Information
- Circuit Protection
- Disconnect Switches
- Motor Protectors
- Contactors
- Overloads
- Enclosed Starters
- Relays
- Pushbuttons and Pilot Lights
- Terminal Blocks
- Power Factor Correction
- Appendix A
- Appendix B

# Enclosed Starters



## ESWE

### Combination Type-E Across The Line Starter

- Branch Disconnect: Rotary through-the-door Handle
- Short-Circuit Protection: Manual Motor Protection
- Motor Control: Magnetic Contactor
- Overload Protection: Manual Motor Protection
- Control Devices: Hand-Off-Auto switch, Start-Stop pushbutton, pilot lights
- Other enclosure options available upon request

### Three-Phase without CPT - Enclosure Type-4X

#### Combination Type-E Across The Line Starter

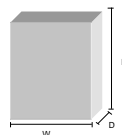
	Max. 3-ph Hp Motors				Overload Setting Range (A)	Control Voltage (1) (Vac)	Non-Metallic Enclosure Type 4X			Multiplier
	200V	230V	460V	575V			Catalog Number	List Price	Box Size	
Motor Protectors	-	-	1/2	1/2	0.63 - 1.0	120	ESWE-B9D15KX-D05	\$855	E-1	Z3
						480	ESWE-B9D39KX-D05			
Contactors	1/4	1/3	3/4	1	1.0 - 1.6	120	ESWE-B9D15KX-D06	\$855	E-1	
						208-240	ESWE-B9V24KX-D06			
Overloads	1/2	1/2	1-1/2	1-1/2	1.6 - 2.5	120	ESWE-B9D15KX-D07	\$855	E-1	
						480	ESWE-B9D39KX-D07			
Enclosed Starters	3/4	1	2	3	2.5 - 4.0	120	ESWE-B9D15KX-D08	\$855	E-1	
						208-240	ESWE-B9V24KX-D08			
Relays	1-1/2	1-1/2	3	5	4.0 - 6.3	120	ESWE-B9D15KX-D09	\$855	E-1	
						480	ESWE-B9D39KX-D09			
Pushbuttons and Pilot Lights	3	3	5	7-1/2	6.3 - 10	120	ESWE-B9D15KX-D10	\$865	E-1	
						208-240	ESWE-B9V24KX-D10			
Terminal Blocks	5	5	10	15	10 - 16	120	ESWE-B18D15KX-D11	\$875	E-1	
						208-240	ESWE-B18V24KX-D11			
Power Factor Correction	7-1/2	7-1/2	15	15	16 - 20	120	ESWE-B18D39KX-D11	\$900	E-1	
						480	ESWE-B25D15KX-D12			
Appendix A	10	10	20	25	25 - 32	120	ESWE-B25V24KX-D12	\$990	E-1	
						480	ESWE-B25D39KX-D12			
Appendix B						120	ESWE-B40D15KX-D14	\$990	E-1	
						208-240	ESWE-B40V24KX-D14			
						480	ESWE-B40D39KX-D14			

### Three-Phase with CPT - Enclosure Type-4X

	Max. 3-ph Hp Motors				Overload Setting Range (A)	Control Voltage (prim. / sec.) (Vac)	Non-Metallic Enclosure Type 4X			Multiplier
	200V	230V	460V	575V			Catalog Number	List Price	Box Size	
Terminal Blocks	-	-	1/2	1/2	0.63 - 1.0	480 / 120	ESWE-B9T04KX-D05	\$1,140	E-1	Z3
						575 / 120	ESWE-B9T05KX-D05			
Power Factor Correction	1/4	1/3	3/4	1	1.0 - 1.6	240 / 120	ESWE-B9T02KX-D06	\$1,140	E-1	
						480 / 120	ESWE-B9T04KX-D06			
Pushbuttons and Pilot Lights	1/2	1/2	1-1/2	1-1/2	1.6 - 2.5	575 / 120	ESWE-B9T05KX-D06	\$1,140	E-1	
						240 / 120	ESWE-B9T02KX-D07			
Relays	3/4	1	2	3	2.5 - 4.0	480 / 120	ESWE-B9T04KX-D07	\$1,140	E-1	
						575 / 120	ESWE-B9T05KX-D07			
Appendix A	1-1/2	1-1/2	3	5	4.0 - 6.3	240 / 120	ESWE-B9T02KX-D08	\$1,140	E-1	
						480 / 120	ESWE-B9T04KX-D08			
Appendix B	3	3	5	7-1/2	6.3 - 10	575 / 120	ESWE-B9T05KX-D08	\$1,140	E-1	
						240 / 120	ESWE-B9T02KX-D09			
Terminal Blocks	5	5	10	15	10 - 16	480 / 120	ESWE-B9T04KX-D09	\$1,155	E-1	
						575 / 120	ESWE-B9T05KX-D09			
Power Factor Correction	7-1/2	7-1/2	15	15	16 - 20	240 / 120	ESWE-B18T02KX-D11	\$1,175	E-1	
						480 / 120	ESWE-B18T04KX-D11			
Appendix A	10	10	20	25	25 - 32	575 / 120	ESWE-B18T05KX-D11	\$1,260	E-1	
						240 / 120	ESWE-B25T02KX-D12			
Appendix B						480 / 120	ESWE-B25T04KX-D12	\$1,260	E-1	
						575 / 120	ESWE-B25T05KX-D12			
						240 / 120	ESWE-B40T02KX-D14			
						480 / 120	ESWE-B40T04KX-D14			
						575 / 120	ESWE-B40T05KX-D14			

**Notes:**

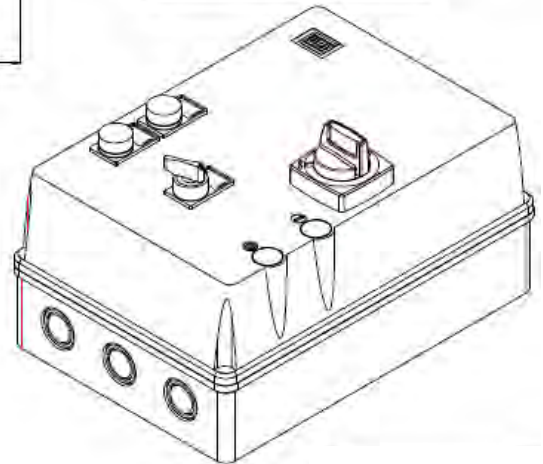
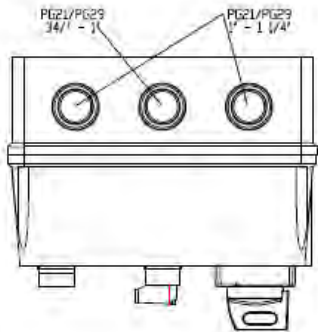
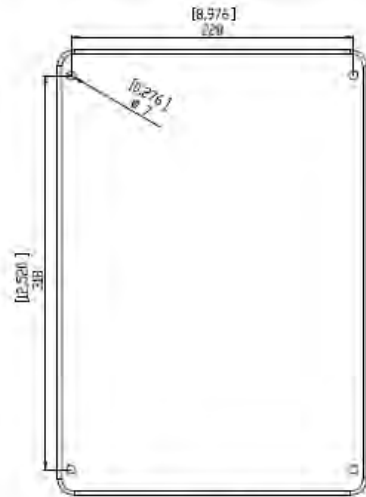
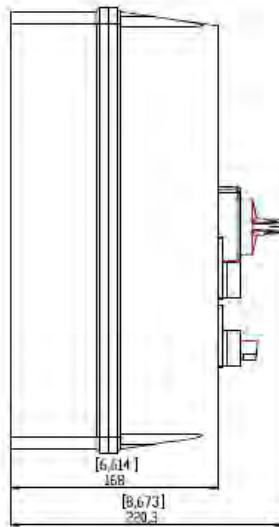
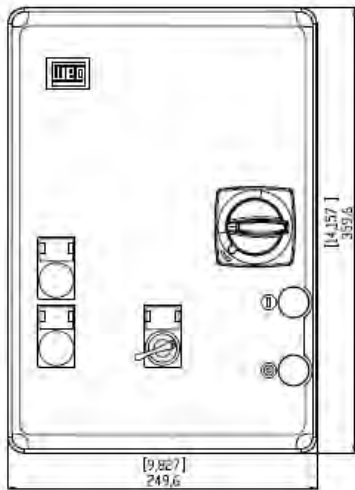
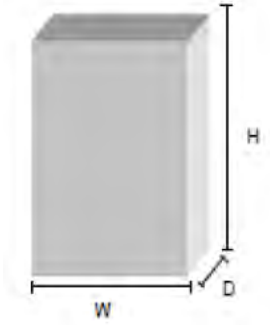
- (1) Please contact your local WEG representative for starters with 575V control voltage.
- (2) 3-phase starters with 120V coil are pre-wired for separate control
- (3) 3-phase starters can be wired for single-phase applications



Dimensions (inches)			
Box Size	Enclosure Size		
	H	W	D
E-1	14.2	9.9	6.6

### Dimensions (in) - ESWE Series

Enclosure Size	Dimensions (in/mm)		
	H	W	D
E-1	14.2	9.9	6.6



- General Information
- Circuit Protection
- Disconnect Switches
- Motor Protectors
- Contactors
- Overloads
- Enclosed Starters
- Relays
- Pushbuttons and Pilot Lights
- Terminal Blocks
- Power Factor Correction
- Appendix A
- Appendix B

# Enclosed Starters

ESWF

## ESWF Series Combination Starters Type F with/without CPT

High performance and optimized solutions for motor starting and control. WEG offers full voltage non-reversing combination starters, ESWF series, up to 75 HP at 460VAC (105A) with or without control power transformers for three-phase applications.



### Standard Features

- Standard Enclosure Type: metallic type 4/12
- Control Power Transformer: with or without
  - \*CPT primary 575V – secondary 120V
  - \*CPT primary 480V/240V – secondary 120V
- Branch Disconnect: rotary through-the-door handle
- Short-Circuit Protection: manual motor protection
- Motor Control: magnetic IEC contactor
- Overload Protection: manual motor protection
- Standard Control Devices: HAND-OFF-AUTO switch, START and STOP pushbuttons
- Custom enclosure and control options available upon request

### ESWF Part Number Breakdown

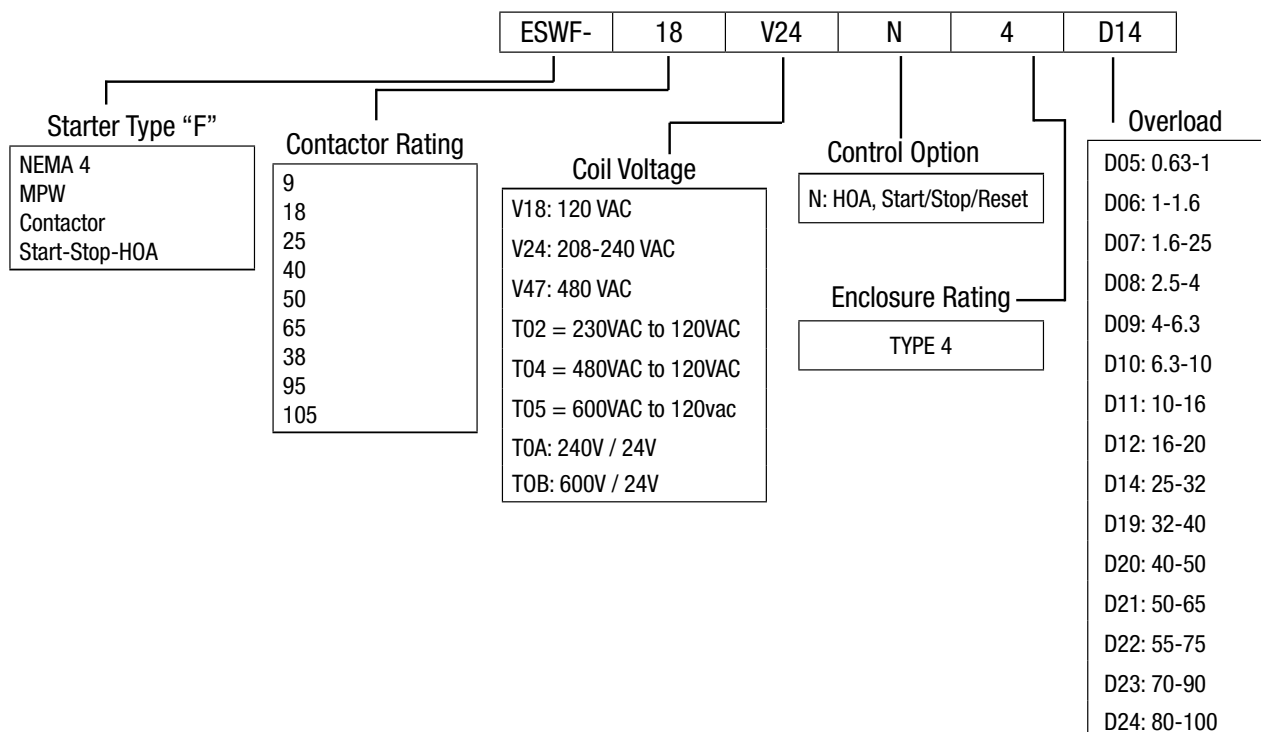


Table Intended for reference and not to create part numbers.

### Combination Type-F Across The Line Starter

#### THREE-PHASE without Control Power Transformer

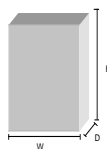
- Branch Disconnect: Rotary through-the-door Handle
- Short-Circuit Protection: Manual Motor Protection
- Motor Control: Magnetic Contactor
- Overload Protection: Manual Motor Protection
- Control Devices: Hand-Off-Auto switch, Start-Stop pushbutton
- Other enclosure options available upon request

### Combination Type-F Across The Line Starter with no CPT

Max. 3-ph Hp Motors				Overload Setting Range (A)	Control Voltage (1) (Vac)	Metallic Enclosure Type 4/12			Multiplier
200V	230V	460V	575V			Catalog Number	List Price	Box Size	
-	-	1/2	1/2	0.63 - 1.0	120	ESWF-9V18N4-D05	\$1,410	F-1	Z3
					480	ESWF-9V47N4-D05			
1/4	1/3	3/4	1	1.0 - 1.6	120	ESWF-9V18N4-D06	\$1,410	F-1	
					208-240	ESWF-9V24N4-D06			
					480	ESWF-9V47N4-D06			
1/2	1/2	1-1/2	1-1/2	1.6 - 2.5	120	ESWF-9V18N4-D07	\$1,410	F-1	
					208-240	ESWF-9V24N4-D07			
					480	ESWF-9V47N4-D07			
3/4	1	2	3	2.5 - 4.0	120	ESWF-9V18N4-D08	\$1,410	F-1	
					208-240	ESWF-9V24N4-D08			
					480	ESWF-9V47N4-D08			
1-1/2	1-1/2	3	5	4.0 - 6.3	120	ESWF-9V18N4-D09	\$1,410	F-1	
					208-240	ESWF-9V24N4-D09			
					480	ESWF-9V47N4-D09			
3	3	5	7 1/2	6.3 - 10	120	ESWF-9V18N4-D10	\$1,410	F-1	
					208-240	ESWF-9V24N4-D10			
					480	ESWF-9V47N4-D10			
5	5	10	15	10 - 16	120	ESWF-18V18N4-D11	\$1,495	F-1	
					208-240	ESWF-18V24N4-D11			
					480	ESWF-18V47N4-D11			
7-1/2	7-1/2	15	15	16 - 20	120	ESWF-25V18N4-D12	\$1,600	F-1	
					208-240	ESWF-25V24N4-D12			
					480	ESWF-25V47N4-D12			
10	10	20	25	25 - 32	120	ESWF-40V18N4-D14	\$1,690	F-2	
					208-240	ESWF-40V24N4-D14			
					480	ESWF-40V47N4-D14			
10	15	25	30	32 - 40	120	ESWF-50V18N4-D19	\$2,115	F-3	
					208-240	ESWF-50V24N4-D19			
					480	ESWF-50V47N4-D19			
15	15	30	40	40 - 50	120	ESWF-65V18N4-D20	\$2,210	F-3	
					208-240	ESWF-65V24N4-D20			
					480	ESWF-65V47N4-D20			
20	20	40	60	50 - 65	120	ESWF-80V18N4-D21	\$2,310	F-3	
					208-240	ESWF-80V24N4-D21			
					480	ESWF-80V47N4-D21			
20	25	50	60	55 - 75	120	ESWF-95V18N4-D22	\$2,475	F-3	
					208-240	ESWF-95V24N4-D22			
					480	ESWF-95V47N4-D22			
25	30	60	75	70 - 90	120	ESWF-95V18N4-D23	\$2,600	F-3	
					208-240	ESWF-95V24N4-D23			
					480	ESWF-95V47N4-D23			
30	30	75	100	80 - 100	120	ESWF-105V18N4-D24	\$2,800	F-3	
					208-240	ESWF-105V24N4-D24			
					480	ESWF-105V47N4-D24			

**Notes:**

- (1) Please contact your local WEG representative for starters with 575V control voltage.
- (2) 3-phase starters with 120V coil are pre-wired for separate control
- (3) 3-phase starters can be wired for single-phase applications



Dimensions (inches)			
Box Size	Enclosure Size		
	H	W	D
F-1	12	12	8
F-2	16	16	8
F-3	20	20	12



# Enclosed Starters

## ESWF

### Combination Type-F Across The Line Starter

THREE-PHASE with Control Power Transformer

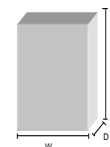
- Branch Disconnect: Rotary through-the-door Handle
- Short-Circuit Protection: Manual Motor Protection
- Motor Control: Magnetic Contactor
- Overload Protection: Manual Motor Protection
- Control Devices: Hand-Off-Auto switch, Start-Stop pushbutton, control transformer
- Other enclosure options available upon request

### ESWF Series - Combination Type-F Across The Line Starter with CPT

	Max. 3-ph Hp Motors				Overload Setting Range (A)	Control Voltage (Vac)	Metallic Enclosure Type 4/12			Multiplier
	200V	230V	460V	575V			Catalog Number	List Price	Box Size	
Motor Protectors	-	-	1/2	1/2	0.63 - 1.0	480 / 120	ESWF-9T04N4-D05	\$1,525	F-1	Z3
						575 / 120				
Contactors	1/4	1/3	3/4	1	1.0 - 1.6	240 / 120	ESWF-9T02N4-D06	\$1,525	F-1	
						480 / 120	ESWF-9T04N4-D06			
						575 / 120	ESWF-9T05N4-D06			
						240 / 120	ESWF-9T02N4-D07			
Overloads	1/2	1/2	1-1/2	1-1/2	1.6 - 2.5	480 / 120	ESWF-9T04N4-D07	\$1,525	F-1	
						575 / 120	ESWF-9T05N4-D07			
						240 / 120	ESWF-9T02N4-D08			
Enclosed Starters	3/4	1	2	3	2.5 - 4.0	480 / 120	ESWF-9T04N4-D08	\$1,525	F-1	
						575 / 120	ESWF-9T05N4-D08			
						240 / 120	ESWF-9T02N4-D09			
Relays	1	1/2	3	5	4.0 - 6.3	480 / 120	ESWF-9T04N4-D09	\$1,525	F-1	
						575 / 120	ESWF-9T05N4-D09			
						240 / 120	ESWF-9T02N4-D10			
Pushbuttons and Pilot Lights	3	3	5	7 1/2	6.3 - 10	480 / 120	ESWF-9T04N4-D10	\$1,525	F-1	
						575 / 120	ESWF-9T05N4-D10			
						240 / 120	ESWF-18T02N4-D11			
Terminal Blocks	5	5	10	15	10 - 16	480 / 120	ESWF-18T04N4-D11	\$1,610	F-1	
						575 / 120	ESWF-18T05N4-D11			
						240 / 120	ESWF-25T02N4-D12			
Power Factor Correction	7 1/2	7 1/2	15	15	16 - 20	480 / 120	ESWF-25T04N4-D12	\$1,715	F-1	
						575 / 120	ESWF-25T05N4-D12			
						240 / 120	ESWF-40T02N4-D14			
Appendix A	10	10	20	25	25 - 32	480 / 120	ESWF-40T04N4-D14	\$1,865	F-2	
						575 / 120	ESWF-40T05N4-D14			
						240 / 120	ESWF-50T02N4-D19			
Appendix B	10	15	25	30	32 - 40	480 / 120	ESWF-50T04N4-D19	\$2,290	F-3	
						575 / 120	ESWF-50T05N4-D19			
						240 / 120	ESWF-65T02N4-D20			
Appendix C	15	15	30	40	40 - 50	480 / 120	ESWF-65T04N4-D20	\$2,440	F-3	
						575 / 120	ESWF-65T05N4-D20			
						240 / 120	ESWF-80T02N4-D21			
Appendix D	20	20	40	60	50 - 65	480 / 120	ESWF-80T04N4-D21	\$2,540	F-3	
						575 / 120	ESWF-80T05N4-D21			
						240 / 120	ESWF-95T02N4-D22			
Appendix E	20	25	50	60	55 - 75	480 / 120	ESWF-95T04N4-D22	\$2,700	F-3	
						575 / 120	ESWF-95T05N4-D22			
						240 / 120	ESWF-95T02N4-D23			
Appendix F	25	30	60	75	70 - 90	480 / 120	ESWF-95T04N4-D23	\$2,840	F-3	
						575 / 120	ESWF-95T05N4-D23			
						240 / 120	ESWF-105T02N4-D24			
Appendix G	30	30	75	100	80 - 100	480 / 120	ESWF-105T04N4-D24	\$3,030	F-3	
						575 / 120	ESWF-105T05N4-D24			

Notes:  
 (1) Please contact your local WEG representative for starters with other control voltage.  
 (2) 3-phase starters can be wired for single-phase applications

Dimensions (inches)			
Box Size	Enclosure Size		
	H	W	D
F-1	12	12	8
F-2	16	16	8
F-3	20	20	12



### Motor Control for Hazardous Areas: Class I, Groups C & D - Class II, Groups E, F, G

WEG Explosion Proof Motors Starters are the perfect compliment for motor control in Hazardous and Industrial environments. Applications include Oil & Gas, Mining, and Chemical Processing industries.

#### ESWX-M Series - Enclosed Manual Motor Starters

- High short-circuit interrupting rating – up to 50kA @ 480V
- Thermal overload protection Class 10
- Phase loss sensitivity protection
- Ambient temperature compensation -4°F +140°F (-20°C +60°C)
- Lockable rotary handle mechanism for disconnect
- Snap-in accessories
- Finger safe protected terminals
- Test trip feature
- Manual Motor Starters
- Suitable for motor disconnect applications
- UL Type-E self protected combination starter (available on request)



#### ESWX Series - Enclosed Starters

- Copper free aluminum alloy body
- Bolted flange design
- Durable cast on lugs
- Watertight 'O' Rings for NEMA 4 applications
- Hinged door for easier access
- NEMA 7 / 9 housing
- Class I, Groups C & D - Class II, Groups E, F, G
- Starter includes contactor plus overload relay
- Start Stop Reset buttons (Standard)
- HOA or Pilot Light (optional)
- Available up to 75 hp @ 460 Vac – 100 amps
- NEMA rated starters available from size 00 to size 3 on request

*Custom units also available on request.*



# Enclosed Starters

General Information

## ESWX

**Motor Control for Hazardous Areas: Class I, Groups C & D - Class II, Groups E, F, G**

Circuit Protection

WEG Explosion Proof Motors Starters are the perfect compliment for motor control in Hazardous and Industrial environments. Applications include Oil & Gas, Mining, and Chemical Processing industries.

Disconnect Switches

### Enclosure Specifications

- Versatile mounting format
- Corrosion resistant, copper free aluminum alloy body
- Bolted flange design
- Durable cast on lugs
- Watertight 'O' Rings for NEMA 4X applications
- Lockout device on cover
- Rotary Handle units include hinged door for easier access
- NEMA 4X / 7 / 9 housing
- ON/OFF - Rotary Handle or Start/Stop - Push buttons
- Rotary Lockable handle
- Available up to 75 hp @ 460 Vac – 100 amps



Motor Protectors

Contactors

### Explosion Proof Manual Motor Starters ESWX-M16 Series

- Versatile mounting
- NEMA 4X / 7 / 9 housing
- Start & Stop /Reset pushbuttons
- Lockable in OFF position
- Available up to 10 hp @ 460 Vac – 16 amps



Overloads

Enclosed Starters

#### ESWX-M16 - PRODUCT SELECTION

Max 3 Phase UL HP			Thermal Setting	Short-Circuit interruption capacity		Catalog Number	List Price	Multiplier
Three Phase				[A]	480 Vac			
230V	460V	575V						
-	1/2	1/2	0.63 - 1.0	50kA	10kA	<a href="#">ESWX-M16A79-U001</a>	\$1,595	Z33
-	3/4	3/4	1.0 - 1.6	50kA	10kA	<a href="#">ESWX-M16A79-D016</a>	\$1,595	
1/2	1	1 1/2	1.6 - 2.5	50kA	10kA	<a href="#">ESWX-M16A79-D025</a>	\$1,595	
3/4	2	3	2.5 - 4.0	50kA	10kA	<a href="#">ESWX-M16A79-U004</a>	\$1,595	
1 1/2	3	5	4.0 - 6.3	50kA	10kA	<a href="#">ESWX-M16A79-D063</a>	\$1,595	
3	5	7 1/2	6.3 - 10	50kA	5kA	<a href="#">ESWX-M16A79-U010</a>	\$1,595	
5	10	10	10 - 16	30kA	5kA	<a href="#">ESWX-M16A79-U016</a>	\$1,595	

Relays

Pushbuttons and Pilot Lights

Terminal Blocks

Power Factor Correction

Appendix A

Appendix B

### M25 Series

- NEMA 4X / 7 / 9 housing
- Hinged Cover for easy access
- ON / OFF – Rotary Handle
- Lockable in OFF position
- Available up to 20 hp @ 460 Vac– 32 amps



#### ESWX-M25 - PRODUCT SELECTION

Max 3 Phase UL HP Three Phase			Thermal Setting [A]	Short-Circuit interruption capacity		Catalog Number	List Price	Multiplier
230V	460V	575V		480 Vac	600 Vac			
-	1/2	1/2	0.63 - 1.0	50kA	25kA	<a href="#">ESWX-M25R79-U001</a>	\$2,200	Z33
-	3/4	3/4	1.0 - 1.6	50kA	25kA	<a href="#">ESWX-M25R79-D016</a>	\$2,200	
1/2	1	1 1/2	1.6 - 2.5	50kA	25kA	<a href="#">ESWX-M25R79-D025</a>	\$2,200	
3/4	2	3	2.5 - 4.0	50kA	25kA	<a href="#">ESWX-M25R79-U004</a>	\$2,200	
1 1/2	3	5	4.0 - 6.3	50kA	25kA	<a href="#">ESWX-M25R79-D063</a>	\$2,200	
3	5	7 1/2	6.3 - 10	50kA	25kA	<a href="#">ESWX-M25R79-U010</a>	\$2,200	
5	10	15	10 - 16	50kA	25kA	<a href="#">ESWX-M25R79-U016</a>	\$2,200	
7 1/2	15	15	16 - 20	50kA	25kA	<a href="#">ESWX-M25R79-U020</a>	\$2,200	
7 1/2	15	20	20 - 25	50kA	25kA	<a href="#">ESWX-M25R79-U025</a>	\$2,200	
10	20	25	25 - 32	42kA	25kA	<a href="#">ESWX-M25R79-U032</a>	\$2,200	

### ESWX-M65 Series

- NEMA 4X / 7 / 9 housing
- Hinged Cover for easy access
- ON / OFF – Rotary Handle
- Lockable in OFF position
- Available up to 50 hp @ 460 Vac – 65 amps

#### ESWX-M65 - PRODUCT SELECTION

Max 3 Phase UL HP Three Phase			Thermal Setting [A]	Short-Circuit interruption capacity		Catalog Number	List Price	Multiplier
230V	460V	575V		480 Vac	600 Vac			
15	25	30	32 - 40	35kA	10kA	<a href="#">ESWX-M65R79-U040</a>	\$2,600	Z33
15	30	40	40 - 50	35kA	10kA	<a href="#">ESWX-M65R79-U050</a>	\$2,600	
20	50	60	50 - 65	35kA	10kA	<a href="#">ESWX-M65R79-U065</a>	\$2,600	

### ESWX-M100 Series

- NEMA 4X / 7 / 9 housing
- Hinged Cover for easy access
- ON / OFF – Rotary Handle
- Lockable in OFF position
- Available up to 75 hp @ 460 Vac – 100 amps

#### ESWX-M100 - PRODUCT SELECTION

Max 3 Phase UL HP Three Phase			Thermal Setting [A]	Short-Circuit interruption capacity		Catalog Number	List Price	Multiplier
230V	460V	575V		480 Vac	600 Vac			
25	50	60	55 - 75	50kA	10kA	<a href="#">ESWX-M100R79-U075</a>	\$3,350	Z33
30	60	75	70 - 90	50kA	10kA	<a href="#">ESWX-M100R79-U090</a>	\$3,350	
30	75	100	80 - 100	50kA	10kA	<a href="#">ESWX-M100R79-U100</a>	\$3,350	

- General Information
- Circuit Protection
- Disconnect Switches
- Motor Protectors
- Contactors
- Overloads
- Enclosed Starters
- Relays
- Pushbuttons and Pilot Lights
- Terminal Blocks
- Power Factor Correction
- Appendix A
- Appendix B

## ESWX

### ACCESSORIES FOR MPW18 / 40 / 80 - Summary

Description	Catalog Number	List Price	Multiplier
<b>Auxiliary Contact Blocks</b>			
1NO&1NC auxiliary contact block front mounting - 250Vmax.	ACBF-11	\$20	Z4
1NO&1NC auxiliary contact block left side mounting - 600Vmax.	ACBS-11	\$22	
2NO Auxiliary contact block left side mounting - 600Vmax.	ACBS-20	\$22	
2NC Auxiliary contact block left side mounting - 600Vmax.	ACBS-02	\$22	
<b>Under Voltage and Shunt Block Releases</b>			
Shunt release block right side mounting - 20-24V 50/60Hz	SRMP D51	\$56	Z4
Shunt release block right side mounting - 100-127V 50/60Hz	SRMP D59	\$56	
Shunt release block right side mounting - 200-240V 50/60Hz	SRMP D65	\$56	
Under voltage release block right side mounting - 24V 60Hz	URMP D02	\$56	
Under voltage release block right side mounting - 120V 60Hz	URMP V18	\$56	
Under voltage release block right side mounting - 208V 60Hz	URMP V23	\$56	
Under voltage release block right side mounting - 240V 60Hz	URMP V30	\$56	
Under voltage release block right side mounting - 480V 60Hz	URMP V47	\$56	

### ACCESSORIES FOR MPW100 - Summary

Description	Catalog Number	List Price	Multiplier
<b>Auxiliary Contact Blocks</b>			
1NO&1NC auxiliary contact block front mounting - 250Vmax.	ACBF-11 MPW100	\$35	Z4
1NO&1NC auxiliary contact block left side mounting - 600Vmax.	ACBS-11 MPW100	\$27	
2NO Auxiliary contact block left side mounting - 600Vmax.	ACBS-20 MPW100	\$27	
2NC Auxiliary contact block left side mounting - 600Vmax.	ACBS-02 MPW100	\$27	
<b>Under Voltage and Shunt Block Releases</b>			
Shunt release block right side mounting - 120V 50/60Hz	SRMP V18 MPW100	\$56	Z4
Shunt release block right side mounting - 240-260V 60Hz	SRMP V33 MPW100	\$56	
Under voltage release block right side mounting - 120V 60Hz	URMP V18 MPW100	\$56	
Under voltage release block right side mounting - 240V 60Hz	URMP V33 MPW100	\$56	
Under voltage release block right side mounting - 460V 60Hz	URMP V43 MPW100	\$56	

General Information

Circuit Protection

Disconnect Switches

Motor Protectors

Contactors

Overloads

Enclosed Starters

Relays

Pushbuttons and Pilot Lights

Terminal Blocks

Power Factor Correction

Appendix A

Appendix B

## NEMA 7/9 Enclosure – Three Phase

- Motor Control: Magnetic Contactor
- Overload Protection: Thermal Overload Relay
- Control Devices: START STOP RESET Pushbuttons
  - One additional Pilot device available as modification; ex. I-HOA or I-Indicator Light
- Cast Aluminum NEMA 7/9 housing with NEMA 4 gasket
  - Breather & Drain available on request



### ESWX Series - Non-combination Across The Line Starter for use in Hazardous Areas ENCLOSURE TYPE NEMA 7/9

Max. UL 3 Phase Horsepower				Box	Setting Range	Coil Voltage	RESET only		START + STOP + RESET		Multiplier
200V	230V	460V	575V				Catalog Number	List Price	Catalog Number	List Price	
-	1/3	1/2	-	X04	0.8 - 1.2	120	ESWX-25V18E79-R23	\$3,250	ESWX-25V18A79-R23	\$3,850	Z33
						208-240	ESWX-25V24E79-R23		ESWX-25V24A79-R23		
						480	ESWX-25V47E79-R23		ESWX-25V47A79-R23		
-	-	1	1	X04	1.2 - 1.8	120	ESWX-25V18E79-R24	\$3,250	ESWX-25V18A79-R24	\$3,850	
						480	ESWX-25V47E79-R24		ESWX-25V47A79-R24		
						120	ESWX-25V18E79-R25		ESWX-25V18A79-R25		
1/2	3/4	1-1/2	2	X04	1.8 - 2.8	208-240	ESWX-25V24E79-R25	\$3,250	ESWX-25V24A79-R25	\$3,850	
						480	ESWX-25V47E79-R25		ESWX-25V47A79-R25		
						120	ESWX-25V18E79-R26		ESWX-25V18A79-R26		
1	1	2	3	X04	2.8 - 4.0	208-240	ESWX-25V24E79-R26	\$3,250	ESWX-25V24A79-R26	\$3,850	
						480	ESWX-25V47E79-R26		ESWX-25V47A79-R26		
						120	ESWX-25V18E79-R27		ESWX-25V18A79-R27		
1-1/2	1-1/2	3	5	X04	4.0 - 6.3	208-240	ESWX-25V24E79-R27	\$3,250	ESWX-25V24A79-R27	\$3,850	
						480	ESWX-25V47E79-R27		ESWX-25V47A79-R27		
						120	ESWX-25V18E79-R28		ESWX-25V18A79-R28		
2	2	5	-	X04	5.6 - 8.0	208-240	ESWX-25V24E79-R28	\$3,250	ESWX-25V24A79-R28	\$3,850	
						480	ESWX-25V47E79-R28		ESWX-25V47A79-R28		
						120	ESWX-25V18E79-R29		ESWX-25V18A79-R29		
3	3	-	7-1/2	X04	7.0 - 10	208-240	ESWX-25V24E79-R29	\$3,250	ESWX-25V24A79-R29	\$3,850	
						480	ESWX-25V47E79-R29		ESWX-25V47A79-R29		
						120	ESWX-25V18E79-R30		ESWX-25V18A79-R30		
-	-	7-1/2	10	X04	8.0 - 12.5	480	ESWX-25V47E79-R30	\$3,250	ESWX-25V47A79-R30	\$3,850	
						120	ESWX-25V18E79-R32		ESWX-25V18A79-R32		
						208-240	ESWX-25V24E79-R32		ESWX-25V24A79-R32		
5	5	10	15	X04	11 - 17	480	ESWX-25V47E79-R32	\$3,250	ESWX-25V47A79-R32	\$3,850	
						120	ESWX-25V18E79-R33		ESWX-25V18A79-R33		
						208-240	ESWX-25V24E79-R33		ESWX-25V24A79-R33		
7-1/2	7-1/2	15	-	X04	15 - 23	480	ESWX-25V47E79-R33	\$3,250	ESWX-25V47A79-R33	\$3,850	
						120	ESWX-40V18E79-R34		ESWX-40V18A79-R34		
						208-240	ESWX-40V24E79-R34		ESWX-40V24A79-R34		
10	10	20	25	X04	22 - 32	480	ESWX-40V47E79-R34	\$3,300	ESWX-40V47A79-R34	\$3,950	
						120	ESWX-40V18E79-R35		ESWX-40V18A79-R35		
						208-240	ESWX-40V24E79-R35		ESWX-40V24A79-R35		
10	15	30	-	X04	25 - 40	480	ESWX-40V47E79-R35	\$3,300	ESWX-40V47A79-R35	\$3,950	
						120	ESWX-80V18E79-R38		ESWX-80V18A79-R38		
						208-240	ESWX-80V24E79-R38		ESWX-80V24A79-R38		
15	15	30	40	X04	32 - 50	480	ESWX-80V47E79-R38	\$3,400	ESWX-80V47A79-R38	\$4,050	
						120	ESWX-80V18E79-R39		ESWX-80V18A79-R39		
						208-240	ESWX-80V24E79-R39		ESWX-80V24A79-R39		
20	20	40	50	X04	40 - 57	480	ESWX-80V47E79-R39	\$3,400	ESWX-80V47A79-R39	\$4,050	
						120	ESWX-80V18E79-R41		ESWX-80V18A79-R41		
						208-240	ESWX-80V24E79-R41		ESWX-80V24A79-R41		
-	25	50	60	X04	57 - 70	480	ESWX-80V47E79-R41	\$3,420	ESWX-80V47A79-R41	\$4,050	
						120	ESWX-105V18E79-R43		ESWX-105V18A79-R43		
						208-240	ESWX-105V24E79-R43		ESWX-105V24A79-R43		
25	30	60	75	X04	63 - 80	480	ESWX-105V47E79-R43	\$3,870	ESWX-105V47A79-R43	\$4,600	
						120	ESWX-105V18E79-R44		ESWX-105V18A79-R44		
						208-240	ESWX-105V24E79-R44		ESWX-105V24A79-R44		
30	-	75	-	X04	75 - 97	480	ESWX-105V47E79-R44	\$3,870	ESWX-105V47A79-R44	\$4,600	
						120	ESWX-105V18E79-R45		ESWX-105V18A79-R45		
						208-240	ESWX-105V24E79-R45		ESWX-105V24A79-R45		

**Notes:**

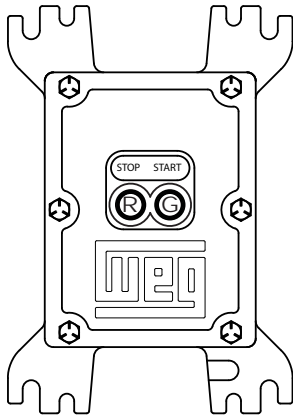
- 1) Overload Relay dial must be set with FLA of the motor
- 2) 3-phase starters with 120V coil are pre-wired for separate control
- 3) 3-phase starters can be wired for single-phase applications

# Enclosed Starters

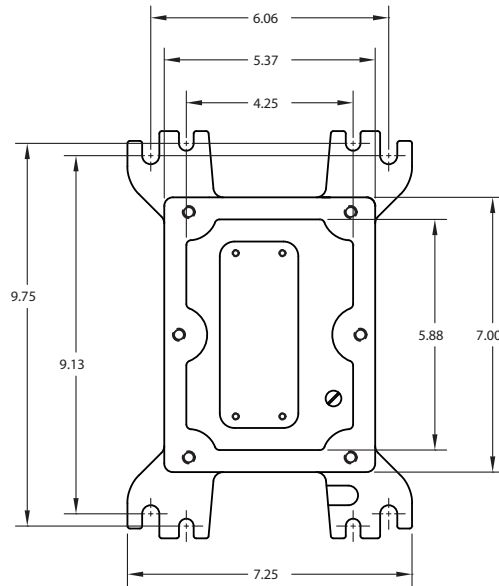
ESWX

## Explosion Proof Manual Starters Dimensions (in) ESWX-M16

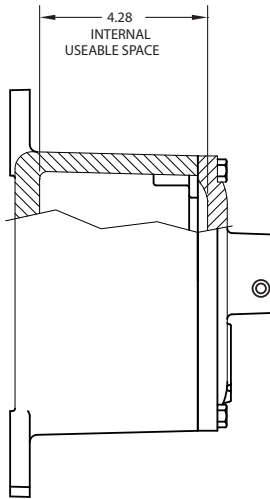
- General Information
- Circuit Protection
- Disconnect Switches
- Motor Protectors
- Contactors
- Overloads
- Enclosed Starters
- Relays
- Pushbuttons and Pilot Lights
- Terminal Blocks
- Power Factor Correction
- Appendix A
- Appendix B



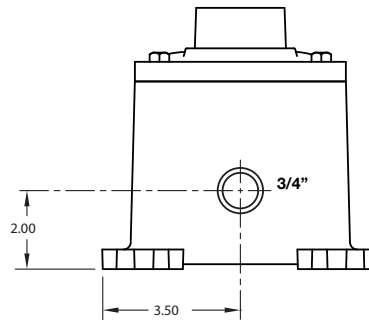
FRONT



FRONT  
(w/DOOR REMOVED)



4.28  
INTERNAL  
USEABLE SPACE

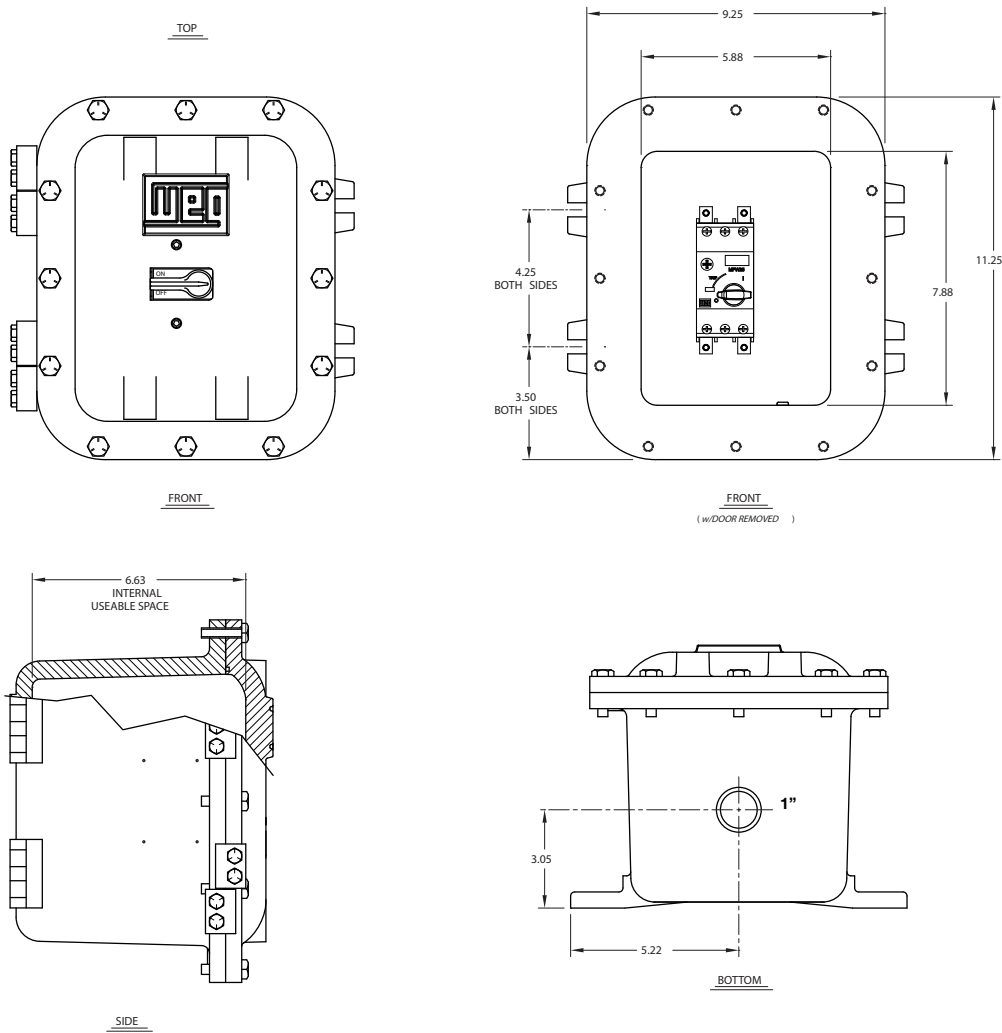


BOTTOM

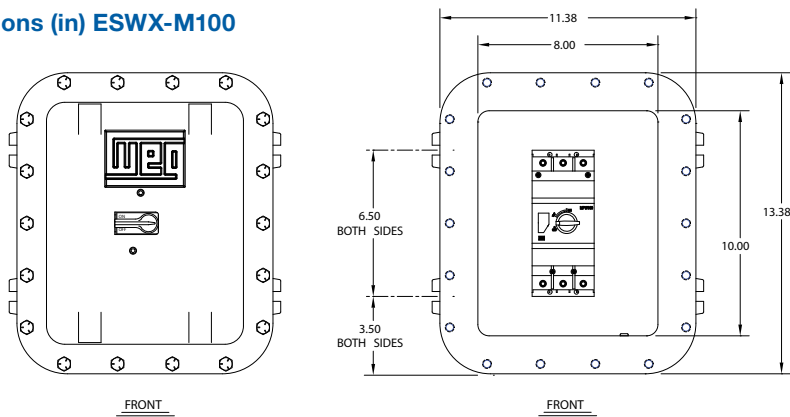
**Certifications**  
Class I, Groups C & D  
Class II, Groups E, F, & aG  
UL Standard 1203 (Classified)  
NEMA 7 (C&D), 9 (E, F, & G)



### Explosion Proof Manual Starters Dimensions (in) ESWX-M25 and ESWX-M65



### Dimensions (in) ESWX-M100



**Certifications**  
 Class I, Groups C & D  
 Class II, Groups E, F, & aG  
 UL Standard 1203 (Classified)  
 NEMA 7 (C&D), 9 (E, F, & G)

General Information

Circuit Protection

Disconnect Switches

Motor Protectors

Contactors

Overloads

Enclosed Starters

Relays

Pushbuttons and Pilot Lights

Terminal Blocks

Power Factor Correction

Appendix A

Appendix B



# Enclosed Starters

ESWX

## Explosion Proof Non-Combination Starters

Dimensions (in) ESWX SERIES

Type-NEMA 7/9 - Cast Aluminum Enclosure

General Information

Circuit Protection

Disconnect Switches

Motor Protectors

Contactors

Overloads

Enclosed Starters

Relays

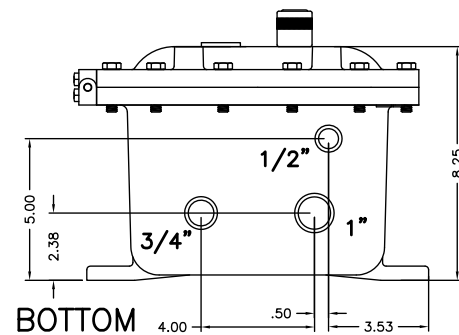
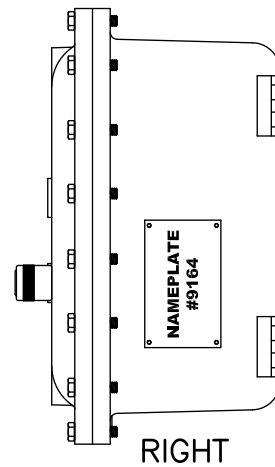
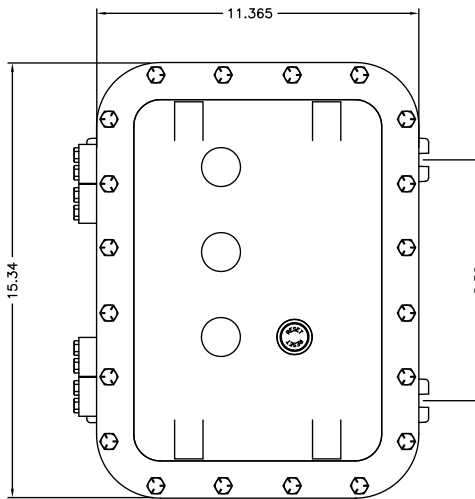
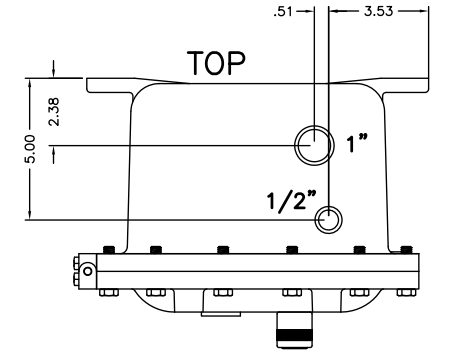
Pushbuttons and Pilot Lights

Terminal Blocks

Power Factor Correction

Appendix A

Appendix B





# Data Worksheet and Request for Quote

## CUSTOM CONTROL PANELS

### DATA WORKSHEET and REQUEST FOR QUOTE

REP \_\_\_\_\_ ASE \_\_\_\_\_ Need Quote By: \_\_\_\_\_

#### CUSTOMER INFO:

Company Name: \_\_\_\_\_ Phone \_\_\_\_\_

Contact Name: \_\_\_\_\_ End User Name \_\_\_\_\_

#### SUPPORTING PRODUCT INFO:

Product Info: \_\_\_\_\_ Part Number \_\_\_\_\_

#### LOAD DATA:

Motor HP \_\_\_\_\_ Motor FLA \_\_\_\_\_ Service Factor \_\_\_\_\_ Other \_\_\_\_\_

#### POWER AND WIRING:

Phase \_\_\_\_\_ Supporting Voltage \_\_\_\_\_ Frequency \_\_\_\_\_ Portable Generator Power? \_\_\_\_\_

#### APPLICATION & ENVIRONMENT:

Starting Method: \_\_\_\_\_ Enclosure type: \_\_\_\_\_ Ambient ° if installed outdoors \_\_\_\_\_

Altitude if installed above 6,500 ft \_\_\_\_\_ Replacing Standard NEMA size? \_\_\_\_\_

Maximum number of starts per hour \_\_\_\_\_ Other Information \_\_\_\_\_

#### CIRCUIT PROTECTION:

Protective Device \_\_\_\_\_ Other Protective Device \_\_\_\_\_

#### CONTROL CIRCUIT:

Common control(same as voltage to motor)? \_\_\_\_\_ CPT required? \_\_\_\_\_

Transformer with extra VA capacity? \_\_\_\_\_

#### COVER MOUNTED 22mm DEVICES: (if yes, enter quantities)

*22MM Reset Pbs are considered based on panel configuration. If Reset Pbs are not needed, please specify.*

Start/Stop Push Buttons \_\_\_\_\_ H-O-A Selector Switch \_\_\_\_\_ Off/On Selector Switch \_\_\_\_\_

Run Light \_\_\_\_\_ Power On Light \_\_\_\_\_ E-Stop Push Button \_\_\_\_\_

Other (specify) \_\_\_\_\_

#### OTHER SPECIFICATIONS:

\_\_\_\_\_  
\_\_\_\_\_  
\_\_\_\_\_  
\_\_\_\_\_

When completed, please contact your regional WEG sales specialist at 1-800-ASK-4WEG (275-4934) for directions on submittal for quotation. WEG can help you complete any further pertinent information to quote.

General Information

Circuit Protection

Disconnect Switches

Motor Protectors

Contactors

Overloads

Enclosed Starters

Relays

Pushbuttons and Pilot Lights

Terminal Blocks

Power Factor Correction

Appendix A

Appendix B

