

CWM Series Contactors



High Performance Switching Contactors

CWM Series Contactors

High performance solutions for circuit switching and control operation. WEG offers IEC CWM series contactors up to 800A for three-phase applications and up to 105A for single-phase applications. NEMA contactors are also available up to 300A (sizes 00-5) along with a variety of AC and DC control voltages. The wide range of accessories allow fast and compact assembly for various industrial applications.



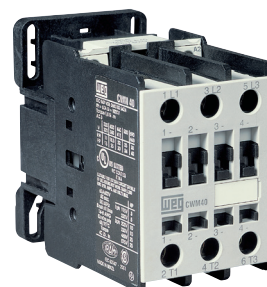
UL File No. E202315

Standard Features

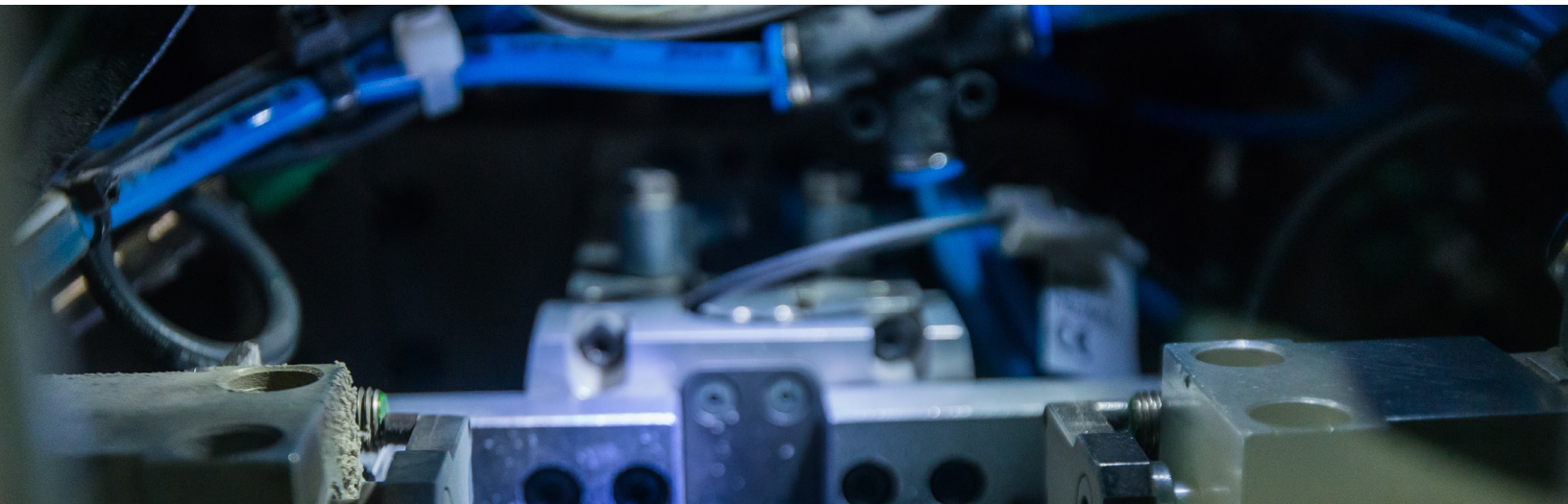
- 2-pole and 3-pole contactors
- Panel mountable on 35mm DIN rails up to CWM105 frame size
- Compact footprint
- Wide range of AC and DC coil voltages
- Electronic modules and coils available for CWM112...800 frame sizes
- Easy-to-use accessories through snap-to-connect function

Complete Line of Snap-on Accessories

- Spare AC/DC coils and electronic modules
- Front and side mounted auxiliary contact blocks
- Bottom and side mounted mechanical interlock blocks
- Surge suppressors
- Terminal covers for CWM150...800 frame sizes
- Lugs for CWM112...800 frame sizes
- Connection busbars for reversing starters



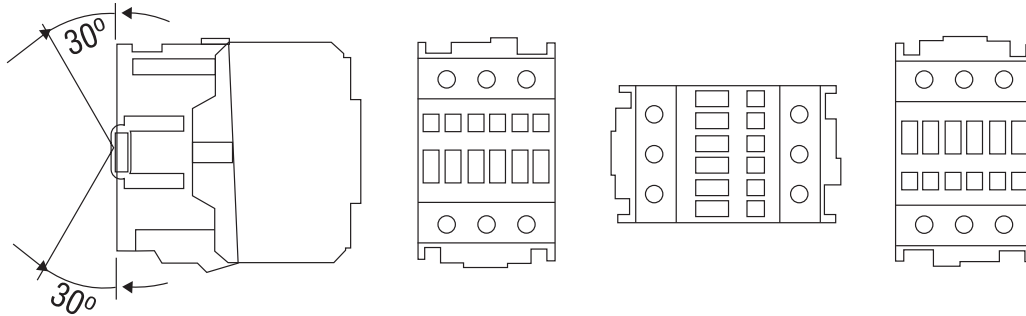
UL File No. E202315



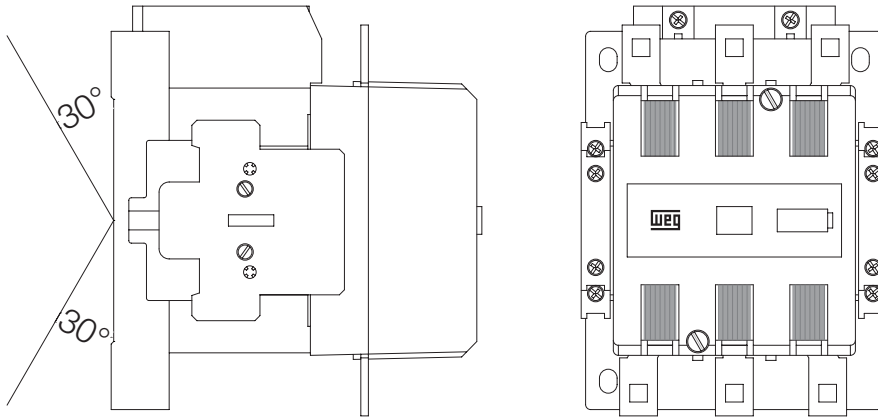
Contactors - CWM Series

Mounting position¹

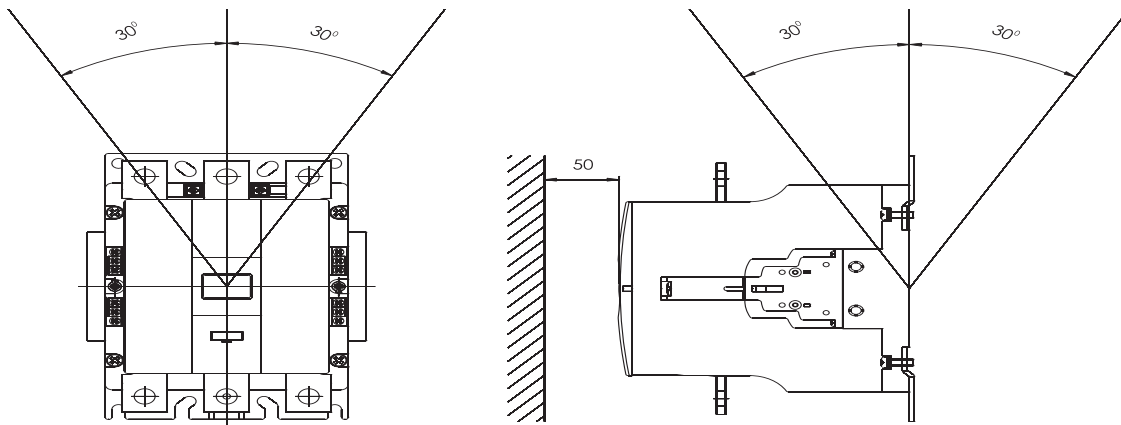
CWM9...105



CWM112...300



CWM400...800



Note: 1) Consult WEG if application requires a different mounting position



WEG Electric Corp.
6655 Sugarloaf Pkwy.
Duluth, GA 30097
Phone: 1-800-ASK-4WEG
www.weg.net

