

DATASHEET

Contactors



Main Features

Reference	: CWB
Product code	: 12542260
Rated current Ie AC-3 (Ue ≤ 440 V)	: 12 A
Main contacts (power)	: 3 NO
Auxiliary contacts	: 1 NO + 1 NC
Control voltage	: 24V DC
Type of terminal	: Screw

Basic data

Rated utilization voltage Ue	
- IEC / UL	: 690 V / 600 V
Isolation voltage Ui (pollution degree 3)	
- IEC / UL	: 690 V / 600 V
Rated impulse withstand voltage Uimp	: 6 kV
- Frequency limits [1]	: 25 Hz ... 400 Hz
- Mechanical lifespan	
AC-operated contactor	: 10 million
DC-operated contactor	: 10 million
Electrical lifespan - Ie AC3	: 2 million
Number of coil terminals (AC Coil)	
AC coil contactors	: 2
- DC coil contactors	: 2
Resistance to vibration (IEC 60068-2-6)	
opened contactor	: 4 g
closed contactor	: 4 g
Resistance to mechanical shock (½ sinusoid = 11ms)	
opened contactor	: 10 g
closed contactor	: 15 g
Installation	: DIN 35 mm (EN 50022)
Degree of protection (IEC 60529)	
Main circuit	: IP10
Control circuit	: IP20

Alternating current - control circuit

Isolation voltage Ui (pollution degree 3)	
- IEC / UL	: 690 V / 600 V
Standard voltages for 50/60 Hz	:
Command circuit operation limits	
- control circuit 60 Hz	- pick up
	- drop out
- control circuit 50 Hz	- pick up
	- drop out
- Average coil consumption	
- operating at 60 Hz	- closed magnetic circuit
	- power factor (cos φ)
	- Thermal power dissipated
	- closing the magnetic circuit
- operating at 50 Hz	- closed magnetic circuit
	- power factor (cos φ)
	- Thermal power dissipated
	- closing the magnetic circuit
Average time of operation	
- closing the NO contacts	:
- opening the NO contacts	:

Direct current - command circuit

- IEC / UL	
Standard voltages	: 12...500 V
Command circuit operation limits	
- pick up	: 0,5...0,8xUs
- drop out	: 0,1...0,4xUs
Average consumption	
- closed magnetic circuit	: 5...7 W
- closing the magnetic circuit	: 5...7 W
Thermal power dissipated	: 5...7 W
Average time of operation	
- closing the NO contacts	: 35...45 ms
- opening the NO contacts	: 8...12 ms

Main contacts (power)

Rated utilization current Ie	
- AC-3 (Ue ≤ 440 V)	: 12 A

DATASHEET

Contactors



- AC-4 (Ue ≤ 440 V)	: 5,8 A
- AC-1 (θ ≤ 55 °C, Ue ≤ 690 V)	: 25 A
Rated utilization voltage Ue	
- IEC / UL	: 690 V / 600 V
Number of main contacts	: 3 NO
Establishment capacity (IEC 60947)	: 250 A
Breaking capacity (IEC/EN 60947)	
- Ue≤400V	: 250 A
- Ue=500V	: 220 A
- Ue=690V	: 150 A
Temporary permissible current (without previously current conduction during 15 min at θ ≤ 40 °C)	
- 1 sec	: 210 A
- 1 sec	: 105 A
- 1 sec	: 105 A
- 1 min	:
- 10 min	: 30 A
Protection against short circuit of the contacts main fuse (gL/gG)	
- @600V - UL/CSA	: 5 kA
- type 1 coordination	: 25 A
- type 2 coordination	: Not available
Average power dissipated per pole	
AC-1 (θ ≤ 55 °C, Ue ≤ 690 V)	: 1,5 W
AC-3 (Ue ≤ 440 V)	: 0,4 W
Utilization category AC-3	
Rated current Ie (θ ≤ 55 °C)	
- Ue ≤ 440V	: 12 A
- Ue ≤ 500V	: 12 A
- Ue ≤ 690V	: 9 A
Maximum percentage (600 ops./h)	: 100 %

Orientative values of power (IEC)-three-phase induction motors (50/60 Hz)-IV poles-1800 rpm		
Voltage	kW	cv or HP
220 / 240 V	3 kW	4 HP
380 / 400 V	5,5 kW	7,5 HP
415 / 440 V	6,5 kW	8,7 HP
500 V	7,5 kW	10 HP
660 / 690 V	7,5 kW	10 HP

Orientative values of power (UL)		
Voltage	1 Phase	3 Phase
120 V	0.75	Not available
200 V	Not applicable	3
208 V	Not available	Not available
240 V	2	3
480 V	Not available	7.5
600 V	Not available	10

Utilization category AC-4

Rated current Ie (θ ≤ 55 °C)	
- Ue ≤ 440V	: 5,8 A
- Ue ≤ 500V	: 5,1 A
- Ue ≤ 690V	: 3,7 A

Orientative values of power (IEC)-three-phase induction motors (50/60 Hz)-IV poles-1800 rpm		
Voltage	kW	cv or HP
220 / 240 V	1,5 kW	2 HP
380 / 400 V	3,7 kW	5 HP
415 / 440 V	3 kW	4 HP
500 V	3 kW	4 HP
660 / 690 V	3 kW	4 HP

Utilization category AC-1 (3 P/NA)

Maximum percentage (600 ops./h)	: 1
---------------------------------	-----

Maximum power operation θ ≤ 55°C (three resistors)	
Voltage	Power
220 / 240 V	9,5 kW
380 / 400 V	16,5 kW
415 / 440 V	19 kW
500 V	21,5 kW
660 / 690 V	28,5 kW

Auxiliary contacts

Standards compliance	: IEC 600947-5-1
Insulation voltage Ui	
- IEC / UL	: 1000 V / 600 V

DATASHEET

Contactors



Rated utilization voltage U_e
 - IEC / UL : 690 V / 690 V
 Conventional thermal current I_{th} ($\theta \leq 55^\circ\text{C}$) : 10 A
 Rated current I_e - IEC 60947-5-1/AC-15
 - 220 / 240 V : 10 A
 - 380 / 440 V : 4 A
 - 500 V : 2,5 A
 - 660 / 690 V : 1,5 A
 Rated current I_e - IEC 60947-5-1/DC-13
 - 24 V : 4 A
 - 48 V : 2 A
 - 110 V : 0,7 A
 - 220 V : 0,3 A
 - 440 V : 0,15 A
 Establishment capacity - (AC-15 and $U_e \leq 690\text{V}$ 50/60Hz) : 10 x I_e
 Interruption capacity - (AC-15 and $U_e \leq 400\text{V}$ 50/60Hz) : 1 x I_e
 Protection against short circuit of the contacts main fuse (gL/gG) : 10 A
 Control circuit reliability : 17/5 V/mA
 Electrical lifespan : 1 Million
 Mechanical lifespan : 10 million
 Non-overlapping time between NO and NC contacts : 1,5 ms
 Impedance per pole : 2,5 m Ω

Connection

Main contacts
 Type of the screw : M4 Flat/Phillips
 Section of the conductors

Type of the conductor	Section (IEC)	Section (UL)
Rigid cable	1 x 1...6 mm ²	1 x
	2 x 1...6 mm ²	2 x
Flexible cable without terminal	1 x 1...6 mm ²	1 x
	2 x 1...6 mm ²	2 x
Flexible cable with terminal	1 x 1...6 mm ²	1 x
	2 x 1...4 mm ²	2 x

Tightening torque (IEC/UL) : 1.7 Nm / 15 lb.in
 Control circuit
 Type of the screw : M3,5 Flat/Phillips
 Section of the conductors

Type of the conductor	Section (IEC)	Section (UL)
Rigid cable	1 x 1...4 mm ²	1 x
	2 x 1...4 mm ²	2 x
Flexible cable without terminal	1 x 1...4 mm ²	1 x
	2 x 1...4 mm ²	2 x
Flexible cable with terminal	1 x 1...4 mm ²	1 x
	2 x 1...2,5 mm ²	2 x

Tightening torque (IEC/UL) : 1 Nm / 8.8 lb.in

Direct current application

Utilization category DC-1 (L/R \leq 1 ms)

Voltage	Rated utilization current (I_e)			
	Pole(s) in series			
	1	2	3	4
$U_e \leq 24\text{V}$	20 A	20 A	20 A	Not available
$U_e \leq 48\text{V}$	20 A	20 A	20 A	Not available
$U_e \leq 60\text{V}$	20 A	20 A	20 A	Not available
$U_e \leq 125\text{V}$	4 A	20 A	20 A	Not available
$U_e \leq 220\text{V}$	1 A	4 A	20 A	Not available
$U_e \leq 440\text{V}$	0,4 A	1 A	4 A	Not available
$U_e \leq 600\text{V}$	Not available	0,4 A	1 A	Not available

Utilization category DC-3 (L/R \leq 2.5 ms)

Voltage	Rated utilization current (I_e)			
	Pole(s) in series			
	1	2	3	4
$U_e \leq 24\text{V}$	18 A	18 A	18 A	Not available
$U_e \leq 48\text{V}$	18 A	18 A	18 A	Not available
$U_e \leq 60\text{V}$	18 A	18 A	18 A	Not available
$U_e \leq 125\text{V}$	2 A	18 A	18 A	Not available
$U_e \leq 220\text{V}$	0,5 A	2 A	18 A	Not available
$U_e \leq 440\text{V}$	Not available	0,3 A	1,5 A	Not available
$U_e \leq 600\text{V}$	Not available	Not available	0,8 A	Not available

DATASHEET

Contactors



Operation category DC-5 (L/R ≤ 15ms)

Voltage	Rated utilization current (Ie)			
	Pole(s) in series			
	1	2	3	4
Ue ≤ 24V	18 A	18 A	18 A	Not available
Ue ≤ 48V	18 A	18 A	18 A	Not available
Ue ≤ 60V	18 A	18 A	18 A	Not available
Ue ≤ 125V	2 A	18 A	18 A	Not available
Ue ≤ 220V	Not available	2 A	18 A	Not available
Ue ≤ 440V	Not available	Not available	1,5 A	Not available
Ue ≤ 600V	Not available	Not available	Not available	Not available

Ambient temperature

Operation : -25 °C ... +55 °C
 Storage : -55 °C ... +80 °C
 Maximum altitude with no change of rated values [2] : 3000 m

Dimensions

Height : 78,4 mm (3.09 in)
 Width : 45 mm (1.77 in)
 Depth : 95,7 mm (3.77 in)
 Weight : 408 g

Standards

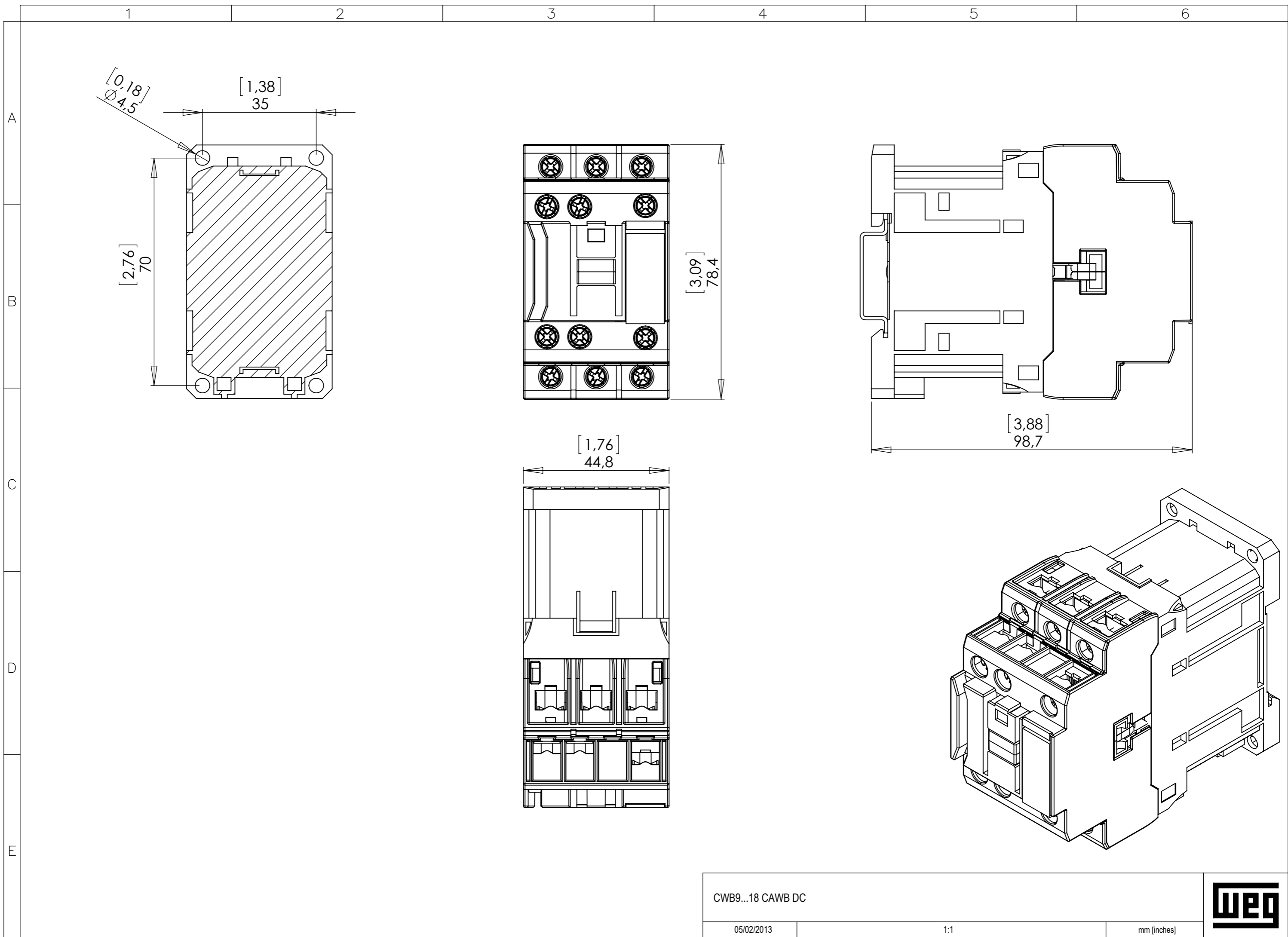
IEC 60947-1
 UL 508

Certifications

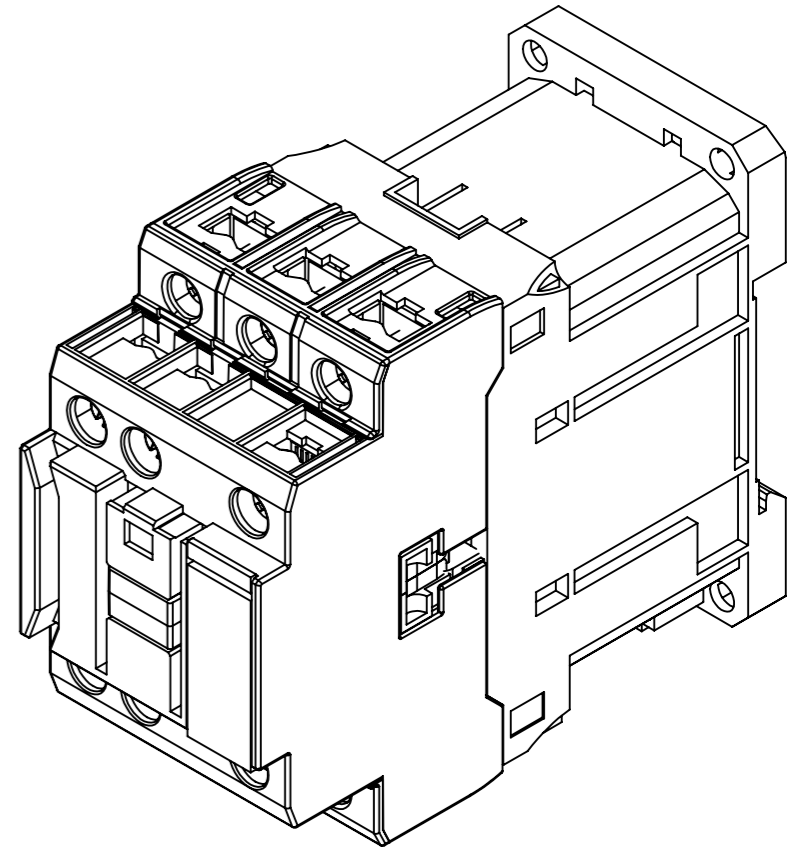
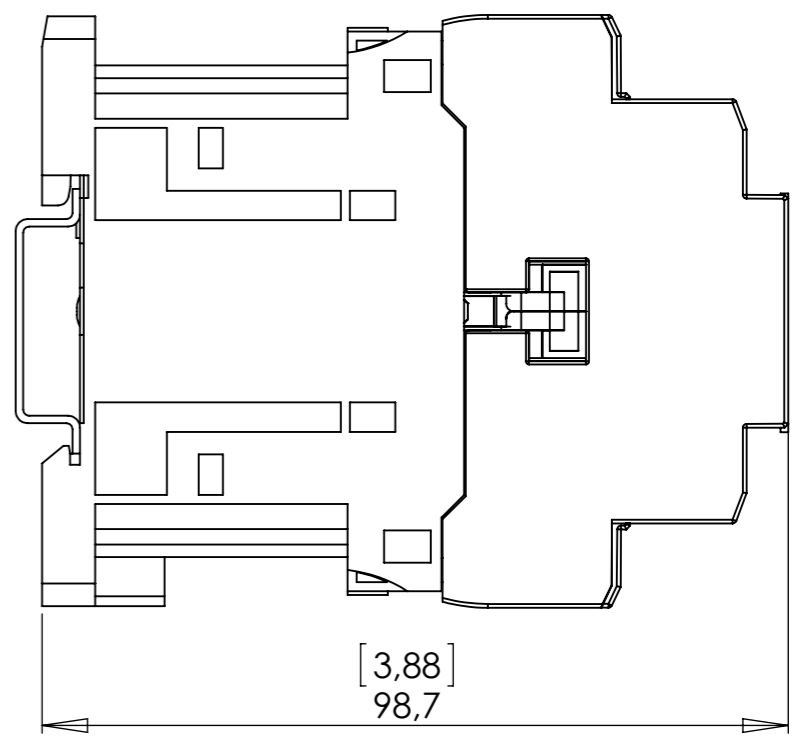
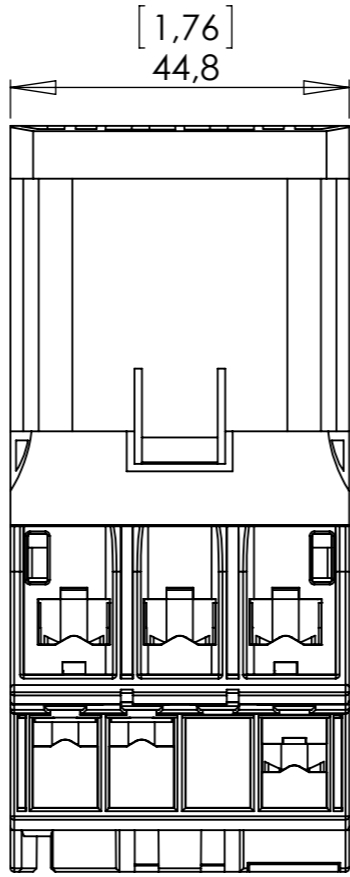
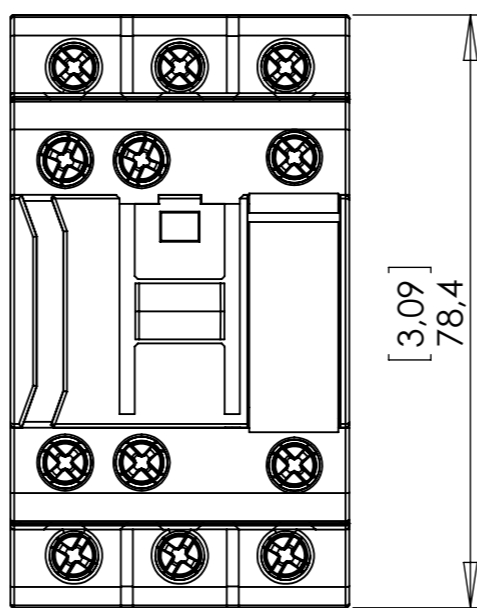
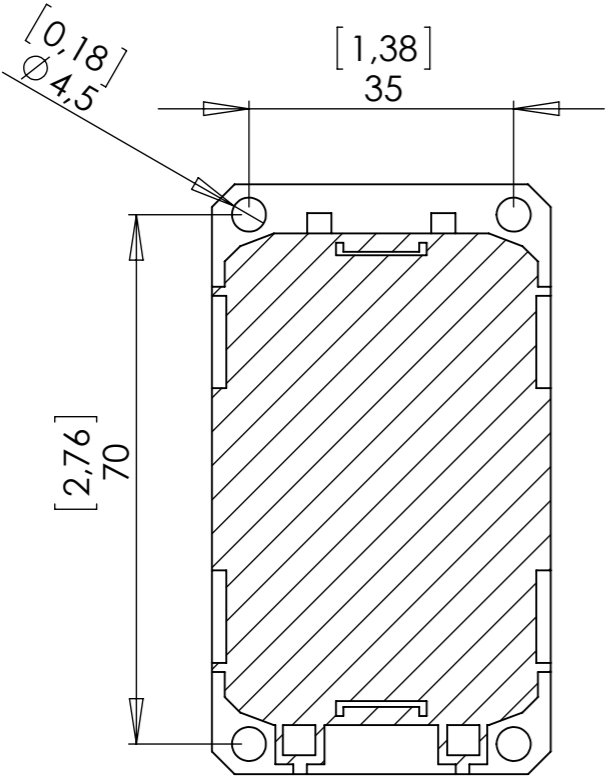
CE, UL, UL-NOM and EAC

Notes

- 1) Values above 60 Hz should have current reduction;
- 2) For altitudes of 3000 to 4000 m (0.90 x 0.80 x Ie and Ui) and from 4000 to 5000 m (0.80 x 0.75 x Ie and Ui).



A
B
C
D
E



A3 Sujeito a alteração sem aviso prévio. As informações contidas são valores de referência. The values shown are subject to change without prior notice. The information is for reference only. Los valores demostrados pueden ser cambiados sin aviso previo. La información es de referencia solamente.