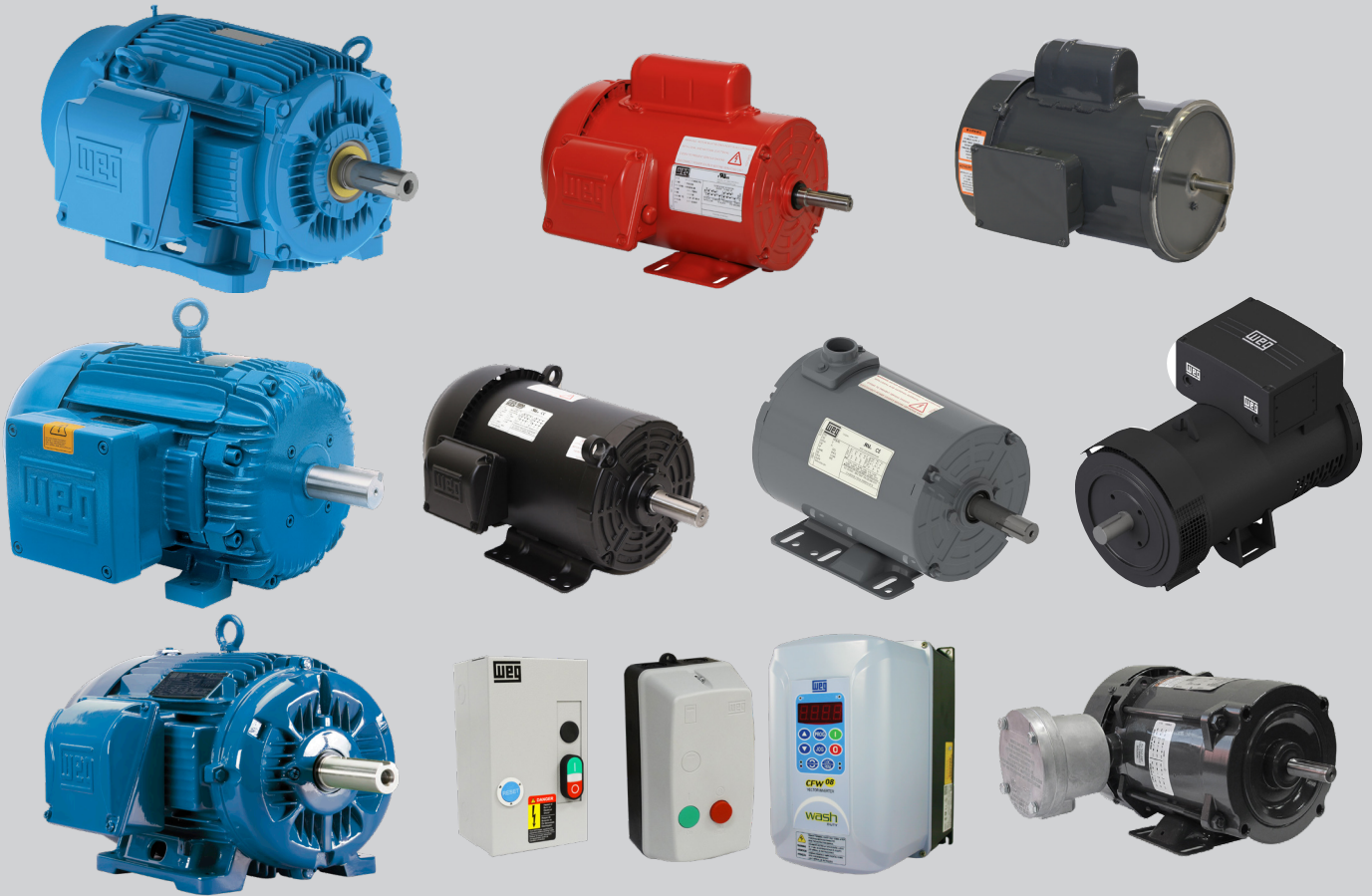


# Solutions for Agriculture

WEG RELIABLE & TOUGH  
For ALL Seasons



# Table of Contents



## General Purpose Three-Phase Motors

Overview W22 .....	A-3
TEFC Foot Mount - W22 Cast Iron .....	A-5
Overview Rolled Steel .....	A-13
TEFC Foot Mount - Rolled Steel .....	A-12
TEFC - C-Face - Foot Mount - Rolled Steel .....	A-13
TEFC - C-Face - Foot Mount - Rolled Steel w/ AEGIS® Ring .....	A-13

## Severe Duty Three-Phase Motors

Overview .....	A-18
IEEE841 - TEFC - Foot Mount .....	A-19
IEEE841 - TEFC - C-Face - Foot Mount .....	A-23

## Explosion Proof Motors

Fractional Explosion Proof Overview .....	A-25
Fractional Explosion Proof - Three-Phase - Foot Mount .....	A-26
Fractional Explosion Proof - Three-Phase - C-Face - Foot Mount .....	A-26
NEMA Premium Explosion Proof Motors - Overview .....	A-27
NEMA Premium Explosion Proof Motors - Foot Mount .....	A-28
NEMA Premium Explosion Proof Motors - C-Face - Foot Mount .....	A-32
NEMA Premium Explosion Proof Motors - C-Face - Footless .....	A-28
NEMA Premium Explosion Proof Motors - JP Foot Mount .....	A-28

## Farm Duty Motors

Single-Phase - TEFC - Foot Mount .....	A-35
Three-Phase - TEFC - Foot Mount .....	A-36
Poultry Fan - Single-Phase - TEAO .....	A-37
Poultry Fan - Single-Phase - TEAO - Resilient Base .....	A-37
PSC Direct Drive Motors - Single Phase - TEAO .....	A-38
Auger Drive - Single-Phase - TEFC - Flange Mount .....	A-38
Grain Dryer/Van Axial Fan - Single and Three-Phase - TEAO .....	A-39
Aeration Fan Motors - Single-Phase - TEAO .....	A-40
Aeration Fan Motors - Three-Phase - TEAO .....	A-40
Irrigation Duty - TEFC - Single-Phase - C-Face - Foot Mount .....	A-41
Irrigation Duty - TEFC - Three-Phase - C-Face - Foot Mount .....	A-41
Irrigation Drive Motors .....	A-42
Jet End Booter Pump .....	A-42

## Enclosed Starters and Variable Frequency Drives

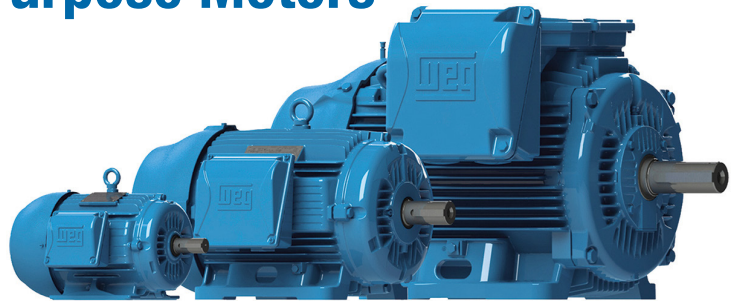
Overview Enclosed Starters .....	A-43
Enclosed Starter ESW - Three-Phase - Enclosure Type 1 .....	A-45
Enclosed Starter ESW - Single-Phase - Enclosure Type 1 .....	A-46
Field Mod Kits for ESW/ESWS Series .....	A-47
Enclosed Starter PESW - Three-Phase - Enclosure Type 4X .....	A-49
Enclosed Starter PESW - Single-Phase - Enclosure Type 4X .....	A-51
Accessories .....	A-51
Variable Frequency Drives - CFW08 WASH Overview .....	A-52
Variable Frequency Drives - CFW08 WASH .....	A-54
Variable Frequency Drives - CFW08 WASH Options and Accessories .....	A-55
Dynamic Braking Resistors for CFW08 WASH .....	A-56
Technical Data - CFW08 WASH .....	A-57

## Synchronous Alternators

GTA and AG10 Overview .....	A-58
GTA .....	A-59
AG10 .....	A-60

# Three Phase General Purpose Motors

W22 - CAST IRON



## Standard Features:

- 50/60 Hz rated (380V on nameplate - 400/415 available)
- Rated 50HZ at same horsepower up to 250HP 1.0 Service Factor for 2,4 & 6 pole motors
- Rated 50Hz at same horsepower up to 125HP 1.0 Service Factor for 8 pole motors
- Class F insulation (impregnation resin and magnet wire are class H)
- F1 mounted (cast iron frames are F2 convertible). Frames 447T and up can easily be F2 converted by simply rotating the terminal box adapter
- Cast iron frames: regreasable ball bearings (frames 254T and up)
- Gasketed conduit box

## Inverter Rated\*

1000:1 for Variable Torque

**NEMA Premium®**

20:1 Constant Torque up to 250HP

6:1 Constant Torque 300HP and up

\* Insulated NDE housing standard on L447/9T and above

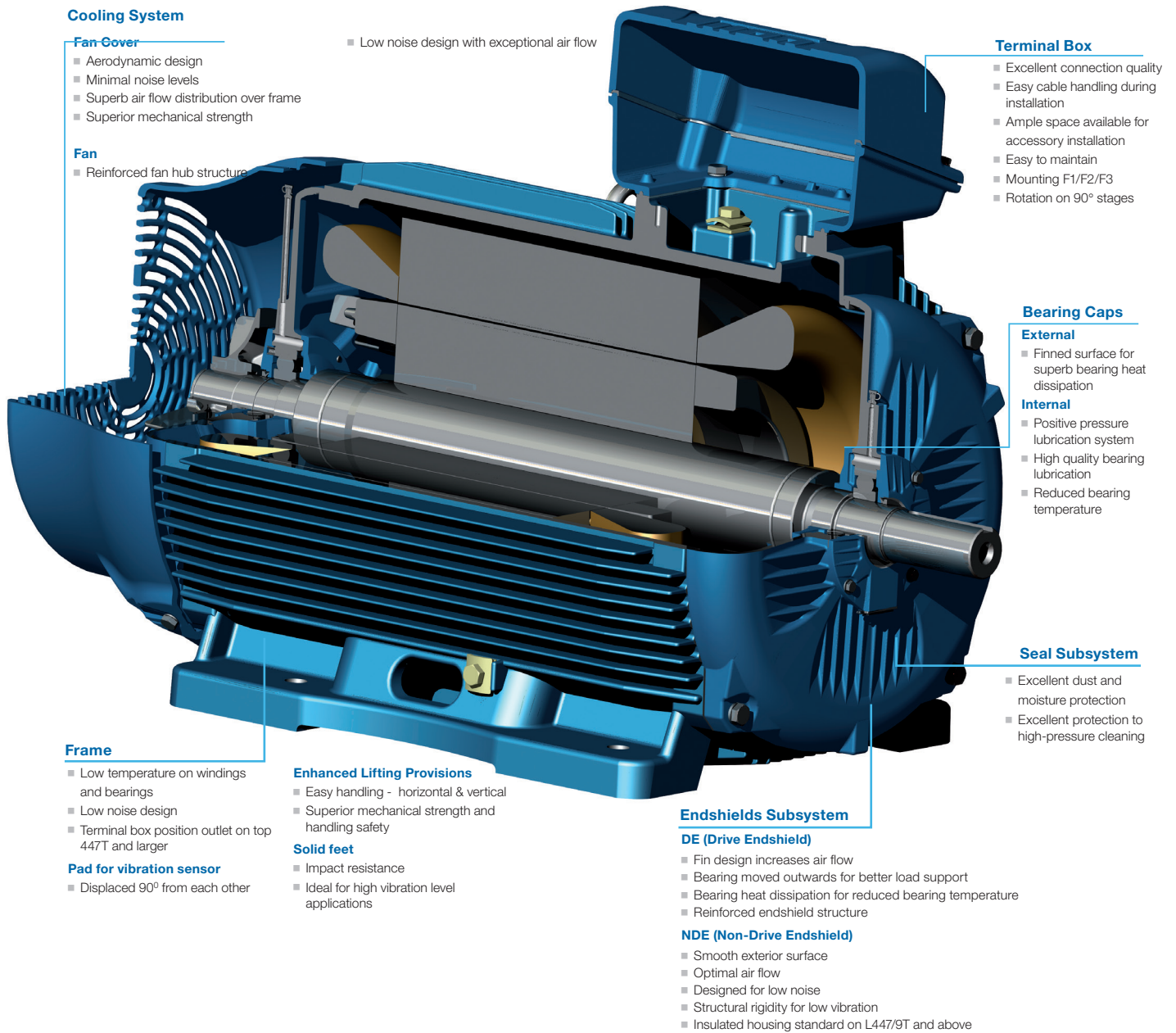
## Features that make a difference:

- All NEMA Premium® ratings have a 1.25 Service Factor (up to 100 HP) resulting in cooler operation and extended life of the motor
- All Cast Iron Construction, including Terminal Box and Fan Cover\*
- Solid feet for reduced vibration levels and impact absorption
- Optimized ventilation system for cooler operation and extended life
- High Grade FC200 cast iron provides superior mechanical strength and heat dissipation
- All WEG W22 motors are Totally Enclosed Fan Cooled with a true IP55 rating against dust and moisture. (IP56, IP65 and IP66 available as options)
- Exclusive W-Seal 364T and larger provides superior bearing protection
- Taconite Labyrinth seal 586 Frame and larger
- Exclusive WEG painting system exceed 200hrs ASTM 117 corrosion test (Exceeds IEEE 841 standard)
- Balanced to 0.08 inches per second vibration limits (Meets IEEE 841 standard)
- Four Bolt Conduit Cover with glued Neoprene Gasket
- Impregnation Resin and magnet wire are insulation class H
- Stainless Steel Nameplate - Laser etched with high contrast background
- Corrosion Proof Drains
- Inverter Duty per NEMA MG1, Part 31
- Certified Class I Div 2, Groups A, B, C & D; Class II, Div 2, Groups F & G
- Suitable for IEEE45 and USCG 259 – Marine Duty

\*Cast iron fan cover available as an option on 143-215T frames



## W22 - TEFC - Cast Iron



### Cooling System

#### Fan-Cover

- Aerodynamic design
- Minimal noise levels
- Superb air flow distribution over frame
- Superior mechanical strength

#### Fan

- Reinforced fan hub structure

- Low noise design with exceptional air flow

### Terminal Box

- Excellent connection quality
- Easy cable handling during installation
- Ample space available for accessory installation
- Easy to maintain
- Mounting F1/F2/F3
- Rotation on 90° stages

### Bearing Caps

#### External

- Finned surface for superb bearing heat dissipation

#### Internal

- Positive pressure lubrication system
- High quality bearing lubrication
- Reduced bearing temperature

### Seal Subsystem

- Excellent dust and moisture protection
- Excellent protection to high-pressure cleaning

### Frame

- Low temperature on windings and bearings
- Low noise design
- Terminal box position outlet on top 447T and larger

#### Pad for vibration sensor

- Displaced 90° from each other

### Enhanced Lifting Provisions

- Easy handling - horizontal & vertical
- Superior mechanical strength and handling safety

#### Solid feet

- Impact resistance
- Ideal for high vibration level applications

### Endshields Subsystem

#### DE (Drive Endshield)

- Fin design increases air flow
- Bearing moved outwards for better load support
- Bearing heat dissipation for reduced bearing temperature
- Reinforced endshield structure

#### NDE (Non-Drive Endshield)

- Smooth exterior surface
- Optimal air flow
- Designed for low noise
- Structural rigidity for low vibration
- Insulated housing standard on L447/9T and above



## TEFC Foot Mount - W22 Cast Iron

HP	kW	RPM	Frame	Catalog Number	List Price	Mult. Symbol	Approx. Shipping Weight (lbs)	Service Factor	FL Amps @ High	FL Eff (%)	"C" Dimension (in)	Voltage (V)	Notes
1	0.75	3600	143/5T	<a href="#">00136ET3E143T-W22</a>	\$538	N1	45	1.25	1.44	81.5	13.358	230/460	
		3600	143/5T	<a href="#">00136ET3H143T-W22</a>	\$538	N1	44	1.25	1.15	81.5	13.358	575	
		1800	143/5T	<a href="#">00118ET3E143T-W22</a>	\$527	N1	48	1.25	1.47	85.5	13.358	230/460	
		1800	143/5T	<a href="#">00118ET3H143T-W22</a>	\$527	N1	48	1.25	1.18	85.5	13.358	575	
		1200	143/5T	<a href="#">00112ET3E145T-W22</a>	\$608	N1	55	1.25	1.73	82.5	13.358	230/460	
		1200	143/5T	<a href="#">00112ET3H145T-W22</a>	\$608	N1	55	1.25	1.38	82.5	13.358	575	
		900	182/4T	<a href="#">00109ET3E182T-W22</a>	\$1,043	N1	88	1.25	2.3	78.5	15.86	230/460	
		900	182/4T	<a href="#">00109ET3H182T-W22</a>	\$1,043	N1	104	1.25	1.84	78.5	15.86	575	
1.5	1.1	3600	143/5T	<a href="#">00156ET3E143T-W22</a>	\$543	N1	49	1.25	1.96	84	13.358	230/460	
		3600	143/5T	<a href="#">00156ET3H143T-W22</a>	\$543	N1	49	1.25	1.57	84	13.358	575	
		1800	143/5T	<a href="#">00158ET3E145T-W22</a>	\$551	N1	53	1.25	2.02	86.5	13.358	230/460	
		1800	143/5T	<a href="#">00158ET3H145T-W22</a>	\$551	N1	53	1.25	1.62	86.5	13.358	575	
		1200	182/4T	<a href="#">00152ET3E182T-W22</a>	\$754	N1	97	1.25	2.54	87.5	15.86	230/460	
		1200	182/4T	<a href="#">00152ET3H182T-W22</a>	\$754	N1	97	1.25	2.03	87.5	15.86	575	
		900	182/4T	<a href="#">00159ET3E184T-W22</a>	\$1,207	N1	102	1.25	2.7	82.5	15.86	230/460	
		900	182/4T	<a href="#">00159ET3H184T-W22</a>	\$1,207	N1	102	1.25	2.16	82.5	15.86	575	
2	1.5	3600	143/5T	<a href="#">00236ET3E145T-W22</a>	\$591	N1	54	1.25	2.56	85.5	13.358	230/460	
		3600	143/5T	<a href="#">00236ET3H145T-W22</a>	\$591	N1	54	1.25	2.05	85.5	13.358	575	
		1800	143/5T	<a href="#">00218ET3E145T-W22</a>	\$612	N1	51	1.25	2.76	86.5	13.358	230/460	
		1800	143/5T	<a href="#">00218ET3H145T-W22</a>	\$612	N1	54	1.25	2.21	86.5	13.358	575	
		1200	182/4T	<a href="#">00212ET3E184T-W22</a>	\$819	N1	108	1.25	3.22	88.5	15.86	230/460	39
		1200	182/4T	<a href="#">00212ET3H184T-W22</a>	\$819	N1	103	1.25	2.58	88.5	15.86	575	39
		900	213/5T	<a href="#">00209ET3E213T-W22</a>	\$1,848	N1	171	1.25	3.39	85.5	19.517	230/460	
		900	213/5T	<a href="#">00209ET3H213T-W22</a>	\$1,848	N1	171	1.25	2.71	85.5	19.517	575	
3	2.2	3600	182/4T	<a href="#">00336ET3E182T-W22</a>	\$763	N1	99	1.25	3.63	86.5	15.86	230/460	
		3600	182/4T	<a href="#">00336ET3H182T-W22</a>	\$763	N1	99	1.25	2.9	86.5	15.86	575	
		1800	182/4T	<a href="#">00318ET3E182T-W22</a>	\$663	N1	92	1.25	3.91	89.5	15.86	230/460	
		1800	182/4T	<a href="#">00318ET3H182T-W22</a>	\$663	N1	94	1.25	3.13	89.5	15.86	575	
		1200	213/5T	<a href="#">00312ET3E213T-W22</a>	\$1,129	N1	160	1.25	4.41	89.5	19.517	230/460	
		1200	213/5T	<a href="#">00312ET3H213T-W22</a>	\$1,129	N1	163	1.25	3.53	89.5	19.517	575	
		900	213/5T	<a href="#">00309ET3E215T-W22</a>	\$2,115	N1	189	1.25	4.55	85.5	19.517	230/460	
		900	213/5T	<a href="#">00309ET3H215T-W22</a>	\$2,115	N1	188	1.25	3.64	85.5	19.517	575	
5	3.7	3600	182/4T	<a href="#">00536ET3E184T-W22</a>	\$873	N1	103	1.25	5.9	88.5	15.86	230/460	
		3600	182/4T	<a href="#">00536ET3H184T-W22</a>	\$873	N1	106	1.25	4.72	88.5	15.86	575	
		1800	182/4T	<a href="#">00518ET3E184T-W22</a>	\$772	N1	101	1.25	6.45	89.5	15.86	230/460	
		1800	182/4T	<a href="#">00518ET3H184T-W22</a>	\$772	N1	104	1.25	5.16	89.5	15.86	575	
		1800	182/4T	<a href="#">00518ET3P184T-W22</a>	\$772	N1	103	1.25	14.8	89.5	15.86	200	
		1200	213/5T	<a href="#">00512ET3E215T-W22</a>	\$1,332	N1	170	1.25	6.83	89.5	19.517	230/460	
		1200	213/5T	<a href="#">00512ET3H215T-W22</a>	\$1,332	N1	180	1.25	5.46	89.5	19.517	575	
		900	254/6T	<a href="#">00509ET3E254T-W22</a>	\$3,301	N1	302	1.25	7.58	87.5	24.945	230/460	
		900	254/6T	<a href="#">00509ET3H254T-W22</a>	\$3,301	N1	321	1.25	6.06	87.5	24.945	575	

continued on next page

# Three-Phase General Purpose Motors



## TEFC Foot Mount - W22 Cast Iron - continued

HP	kW	RPM	Frame	Catalog Number	List Price	Mult. Symbol	Approx. Shipping Weight (lbs)	Service Factor	FL Amps @ High	FL. Eff (%)	"C" Dimension (in)	Voltage (V)	Notes
7.5	5.5	3600	182/4T	<a href="#">00736ET3E184T-W22</a>	\$1,074	N1	106	1.25	8.76	89.5	15.86	230/460	12
		3600	213/5T	<a href="#">00736ET3E213T-W22</a>	\$1,125	N1	149	1.25	8.76	89.5	19.517	230/460	
		3600	213/5T	<a href="#">00736ET3H213T-W22</a>	\$1,125	N1	163	1.25	7.01	89.5	19.517	575	
		1800	213/5T	<a href="#">00718ET3E213T-W22</a>	\$1,089	N1	170	1.25	9.18	91.7	19.517	230/460	
		1800	213/5T	<a href="#">00718ET3H213T-W22</a>	\$1,089	N1	174	1.25	7.34	91.7	19.517	575	
		1800	213/5T	<a href="#">00718ET3P213T-W22</a>	\$1,089	N1	175	1.25	21.1	91.7	19.517	200	
		1200	254/6T	<a href="#">00712ET3E254T-W22</a>	\$2,065	N1	300	1.25	9.48	91	24.945	230/460	
		1200	254/6T	<a href="#">00712ET3H254T-W22</a>	\$2,065	N1	316	1.25	7.58	91	24.945	575	39
		900	254/6T	<a href="#">00709ET3E256T-W22</a>	\$3,658	N1	317	1.25	11.1	87.5	24.945	230/460	
		900	254/6T	<a href="#">00709ET3H256T-W22</a>	\$3,658	N1	373	1.25	8.88	87.5	24.945	575	
10	7.5	3600	213/5T	<a href="#">01036ET3E215T-W22</a>	\$1,332	N1	172	1.25	11.6	90.2	19.517	230/460	
		3600	213/5T	<a href="#">01036ET3H215T-W22</a>	\$1,332	N1	180	1.25	9.28	90.2	19.517	575	
		1800	213/5T	<a href="#">01018ET3E215T-W22</a>	\$1,273	N1	175	1.25	12.4	91.7	19.517	230/460	
		1800	213/5T	<a href="#">01018ET3H215T-W22</a>	\$1,273	N1	188	1.25	9.92	91.7	19.517	575	
		1800	213/5T	<a href="#">01018ET3P215T-W22</a>	\$1,273	N1	189	1.25	28.5	91.7	19.517	200	
		1200	254/6T	<a href="#">01012ET3E256T-W22</a>	\$2,396	N1	318	1.25	12.9	91	24.945	230/460	
		1200	254/6T	<a href="#">01012ET3H256T-W22</a>	\$2,396	N1	325	1.25	10.3	91	24.945	575	
		900	284/6T	<a href="#">01009ET3E284T-W22</a>	\$4,634	N1	373	1.25	13.4	90.2	27.929	230/460	
		900	284/6T	<a href="#">01009ET3H284T-W22</a>	\$4,634	N1	371	1.25	10.7	90.2	27.929	575	
15	11	3600	213/5T	<a href="#">01536ET3E215T-W22</a>	\$1,697	N1	192	1.25	17	91	19.517	230/460	12
		3600	254/6T	<a href="#">01536ET3E254T-W22</a>	\$1,824	N1	293	1.25	17.2	91	24.945	230/460	
		3600	254/6T	<a href="#">01536ET3H254T-W22</a>	\$1,824	N1	298	1.25	13.8	91	24.945	575	
		1800	254/6T	<a href="#">01518ET3E254T-W22</a>	\$1,848	N1	339	1.25	18	92.4	24.945	230/460	
		1800	254/6T	<a href="#">01518ET3H254T-W22</a>	\$1,848	N1	347	1.25	14.4	92.4	24.945	575	
		1800	254/6T	<a href="#">01518ET3P254T-W22</a>	\$1,848	N1	349	1.25	41.4	92.4	24.945	200	
		1200	284/6TS	<a href="#">01512ET3E284TS-W22</a>	\$3,291	N1	420	1.25	17.9	91.7	26.557	230/460	
		1200	284/6TS	<a href="#">01512ET3H284TS-W22</a>	\$3,291	N1	360	1.25	14.3	91.7	26.557	575	
		1200	284/6T	<a href="#">01512ET3E284T-W22</a>	\$3,291	N1	406	1.25	17.9	91.7	27.929	230/460	
		1200	284/6T	<a href="#">01512ET3H284T-W22</a>	\$3,291	N1	420	1.25	14.3	91.7	27.929	575	
		900	284/6T	<a href="#">01509ET3E286T-W22</a>	\$5,368	N1	429	1.25	19.4	90.2	27.929	230/460	
		900	284/6T	<a href="#">01509ET3H286T-W22</a>	\$5,368	N1	428	1.25	15.5	90.2	27.929	575	
		20	15	3600	254/6T	<a href="#">02036ET3E256T-W22</a>	\$2,382	N1	317	1.25	23.2	91	24.945
3600	254/6T			<a href="#">02036ET3H256T-W22</a>	\$2,382	N1	323	1.25	18.6	91	24.945	575	
1800	254/6T			<a href="#">02018ET3E256T-W22</a>	\$2,201	N1	386	1.25	24.1	93	24.945	230/460	
1800	254/6T			<a href="#">02018ET3H256T-W22</a>	\$2,201	N1	396	1.25	19.3	93	24.945	575	
1800	254/6T			<a href="#">02018ET3P256T-W22</a>	\$2,201	N1	397	1.25	55.4	93	24.945	200	
1200	284/6T			<a href="#">02012ET3E286T-W22</a>	\$3,962	N1	432	1.25	24.2	91.7	27.929	230/460	
1200	284/6T			<a href="#">02012ET3H286T-W22</a>	\$3,962	N1	447	1.25	19.4	91.7	27.929	575	
900	284/6T			<a href="#">02009ET3E286T-W22</a>	\$5,854	N1	556	1	28.2	90.2	27.929	230/460	1;12;37
900	324/6T			<a href="#">02009ET3E324T-W22</a>	\$6,339	N1	548	1.25	28.3	91	31.116	230/460	
900	324/6T			<a href="#">02009ET3H324T-W22</a>	\$6,339	N1	546	1.25	22.6	91	31.116	575	

continued on next page



## TEFC Foot Mount - W22 Cast Iron - continued

HP	kW	RPM	Frame	Catalog Number	List Price	Mult. Symbol	Approx. Shipping Weight (lbs)	Service Factor	FL Amps @ High	FL. Eff (%)	"C" Dimension (in)	Voltage (V)	Notes
25	18.5	3600	284/6TS	<a href="#">02536ET3E284TS-W22</a>	\$2,998	N1	391	1.25	28.5	91.7	26.557	230/460	
		3600	284/6TS	<a href="#">02536ET3H284TS-W22</a>	\$2,998	N1	405	1.25	22.8	91.7	26.557	575	
		1800	284/6TS	<a href="#">02518ET3E284TS-W22</a>	\$2,743	N1	438	1.25	29.5	93.6	26.557	230/460	
		1800	284/6T	<a href="#">02518ET3E284T-W22</a>	\$2,743	N1	408	1.25	29.5	93.6	27.929	230/460	
		1800	284/6T	<a href="#">02518ET3H284T-W22</a>	\$2,743	N1	439	1.25	23.6	93.6	27.929	575	
		1200	324/6T	<a href="#">02512ET3E324T-W22</a>	\$4,737	N1	569	1.25	30.4	93	31.116	230/460	
		1200	324/6T	<a href="#">02512ET3H324T-W22</a>	\$4,737	N1	583	1.25	24.3	93	31.116	575	
		900	324/6T	<a href="#">02509ET3E326T-W22</a>	\$7,315	N1	593	1.25	35.9	91	31.116	230/460	
		900	324/6T	<a href="#">02509ET3H326T-W22</a>	\$7,315	N1	593	1.25	28.7	91	31.116	575	
30	22	3600	284/6TS	<a href="#">03036ET3E286TS-W22</a>	\$3,561	N1	408	1.25	33.8	91.7	26.557	230/460	
		3600	284/6TS	<a href="#">03036ET3H286TS-W22</a>	\$3,561	N1	425	1.25	27	91.7	26.557	575	
		1800	284/6TS	<a href="#">03018ET3E286TS-W22</a>	\$3,223	N1	476	1.25	35.1	93.6	26.557	230/460	
		1800	284/6T	<a href="#">03018ET3E286T-W22</a>	\$3,223	N1	461	1.25	35.1	93.6	27.929	230/460	
		1800	284/6T	<a href="#">03018ET3H286T-W22</a>	\$3,223	N1	476	1.25	28.1	93.6	27.929	575	
		1200	324/6T	<a href="#">03012ET3E326T-W22</a>	\$5,273	N1	530	1.25	36.2	93	31.116	230/460	
		1200	324/6T	<a href="#">03012ET3H326T-W22</a>	\$5,273	N1	627	1.25	29	93	31.116	575	
		900	364/5T	<a href="#">03009ET3E364T-W22</a>	\$11,215	N1	899	1.25	37	92.4	34.251	230/460	
		40	30	3600	324/6TS	<a href="#">04036ET3E324TS-W22</a>	\$4,725	N1	546	1.25	45.8	92.4	29.616
3600	324/6TS			<a href="#">04036ET3H324TS-W22</a>	\$4,725	N1	589	1.25	36.6	92.4	29.616	575	
1800	324/6TS			<a href="#">04018ET3E324TS-W22</a>	\$4,178	N1	613	1.25	47.1	94.1	31.116	230/460	
1800	324/6T			<a href="#">04018ET3E324T-W22</a>	\$4,178	N1	591	1.25	47.1	94.1	31.116	230/460	
1800	324/6T			<a href="#">04018ET3H324T-W22</a>	\$4,178	N1	614	1.25	37.7	94.1	31.116	575	
1800	324/6T			<a href="#">04018ET3P324T-W22</a>	\$4,178	N1	625	1.25	108	94.1	31.116	200	
1200	364/5T			<a href="#">04012ET3E364T-W22</a>	\$7,284	N1	964	1.25	46.5	94.1	34.251	230/460	
1200	364/5T			<a href="#">04012ET3H364T-W22</a>	\$7,284	N1	904	1.25	37.2	94.1	34.251	575	
900	364/5T			<a href="#">04009ET3E365T-W22</a>	\$12,194	N1	954	1.25	50.3	92.4	34.251	230/460	
50	37	3600	324/6TS	<a href="#">05036ET3E326TS-W22</a>	\$5,316	N1	587	1.25	56.1	93	29.616	230/460	
		3600	324/6TS	<a href="#">05036ET3H326TS-W22</a>	\$5,316	N1	610	1.25	44.9	93	29.616	575	
		1800	324/6TS	<a href="#">05018ET3E326TS-W22</a>	\$5,100	N1	637	1.25	59.2	94.5	31.116	230/460	
		1800	324/6T	<a href="#">05018ET3E326T-W22</a>	\$5,100	N1	585	1.25	59.2	94.5	31.116	230/460	
		1800	324/6T	<a href="#">05018ET3H326T-W22</a>	\$5,100	N1	634	1.25	47.4	94.5	31.116	575	
		1200	364/5T	<a href="#">05012ET3E365T-W22</a>	\$8,518	N1	914	1.25	57.4	94.1	34.251	230/460	
		1200	364/5T	<a href="#">05012ET3H365T-W22</a>	\$8,518	N1	1026	1.25	45.9	94.1	34.251	575	
		900	404/5T	<a href="#">05009ET3E404T-W22</a>	\$17,648	N1	1214	1.25	60	93	39.73	230/460	
		60	45	3600	364/5TS	<a href="#">06036ET3E364TS-W22</a>	\$7,552	N1	855	1.25	67	93.6	32.338
3600	364/5TS			<a href="#">06036ET3G364TS-W22</a>	\$7,552	N1	961	1.25	67	93.6	32.338	460	
3600	364/5TS			<a href="#">06036ET3H364TS-W22</a>	\$7,552	N1	968	1.25	53.6	93.6	32.338	575	
1800	364/5TS			<a href="#">06018ET3E364TS-W22</a>	\$7,389	N1	1026	1.25	68.3	95	32.338	230/460	
1800	364/5T			<a href="#">06018ET3E364T-W22</a>	\$7,389	N1	946	1.25	68.3	95	34.251	230/460	
1800	364/5T			<a href="#">06018ET3G364T-W22</a>	\$7,389	N1	1025	1.25	68.3	95	34.251	460	
1800	364/5T			<a href="#">06018ET3H364T-W22</a>	\$7,389	N1	1033	1.25	54.6	95	34.251	575	
1200	404/5T			<a href="#">06012ET3E404T-W22</a>	\$10,497	N1	1252	1.25	69.5	94.5	39.73	230/460	
1200	404/5T			<a href="#">06012ET3ERB404T-W22</a>	\$10,497	N1	1262	1.25	69.5	94.5	39.73	230/460	14
1200	404/5T			<a href="#">06012ET3G404T-W22</a>	\$10,497	N1	1213	1.25	69.5	94.5	39.73	460	
1200	404/5T			<a href="#">06012ET3H404T-W22</a>	\$10,497	N1	1255	1.25	55.6	94.5	39.73	575	
900	404/5T			<a href="#">06009ET3E405T-W22</a>	\$20,443	N1	1263	1.25	73	93	39.73	230/460	

continued on next page

# Three-Phase General Purpose Motors



## TEFC Foot Mount - W22 Cast Iron - continued

HP	kW	RPM	Frame	Catalog Number	List Price	Mult. Symbol	Approx. Shipping Weight (lbs)	Service Factor	FL Amps @ High	FL. Eff (%)	"C" Dimension (in)	Voltage (V)	Notes
75	55	3600	364/5TS	<a href="#">07536ET3E365TS-W22</a>	\$9,091	N1	900	1.25	81.9	93.6	32.338	230/460	
		3600	364/5TS	<a href="#">07536ET3G365TS-W22</a>	\$9,091	N1	963	1.25	81.9	93.6	32.338	460	
		3600	364/5TS	<a href="#">07536ET3H365TS-W22</a>	\$9,091	N1	967	1.25	65.5	93.6	32.338	575	
		1800	364/5TS	<a href="#">07518ET3E365TS-W22</a>	\$8,705	N1	988	1.25	84.1	95.4	32.338	230/460	
		1800	364/5T	<a href="#">07518ET3E365T-W22</a>	\$8,705	N1	969	1.25	84.1	95.4	34.251	230/460	
		1800	364/5T	<a href="#">07518ET3G365T-W22</a>	\$8,705	N1	1045	1.25	84.1	95.4	34.251	460	
		1800	364/5T	<a href="#">07518ET3H365T-W22</a>	\$8,705	N1	1050	1.25	67.3	95.4	34.251	575	
		1200	404/5T	<a href="#">07512ET3E405T-W22</a>	\$12,058	N1	1303	1.25	84.9	94.5	39.73	230/460	
		1200	404/5T	<a href="#">07512ET3ERB405T-W22</a>	\$12,058	N1	1262	1.25	84.9	94.5	39.73	230/460	14
		1200	404/5T	<a href="#">07512ET3G405T-W22</a>	\$12,058	N1	1298	1.25	84.9	94.5	39.73	460	
		1200	404/5T	<a href="#">07512ET3GRB405T-W22</a>	\$12,058	N1	1309	1.25	84.9	94.5	39.73	460	14
		1200	404/5T	<a href="#">07512ET3H405T-W22</a>	\$12,058	N1	1303	1.25	67.9	94.5	39.73	575	
		900	444/5T	<a href="#">07509ET3E444T-W22</a>	\$23,334	N1	1665	1.25	93	93.6	45.157	230/460	
100	75	3600	404/5TS	<a href="#">10036ET3E405TS-W22</a>	\$12,002	N1	1024	1.25	110	94.1	36.732	230/460	
		3600	404/5TS	<a href="#">10036ET3G405TS-W22</a>	\$12,002	N1	1176	1.25	110	94.1	36.732	460	
		3600	404/5TS	<a href="#">10036ET3H405TS-W22</a>	\$12,002	N1	1182	1.25	88	94.1	36.732	575	
		1800	404/5TS	<a href="#">10018ET3E405TS-W22</a>	\$11,689	N1	1266	1.25	111	95.4	36.732	230/460	
		1800	404/5T	<a href="#">10018ET3E405T-W22</a>	\$11,689	N1	1190	1.25	111	95.4	39.73	230/460	
		1800	404/5T	<a href="#">10018ET3ERB405T-W22</a>	\$11,689	N1	1239	1.25	111	95.4	39.73	230/460	14
		1800	404/5T	<a href="#">10018ET3G405T-W22</a>	\$11,689	N1	1280	1.25	111	95.4	39.73	460	
		1800	404/5T	<a href="#">10018ET3GRB405T-W22</a>	\$11,689	N1	1199	1.25	111	95.4	39.73	460	14
		1800	404/5T	<a href="#">10018ET3H405T-W22</a>	\$11,689	N1	1283	1.25	88.8	95.4	39.73	575	
		1800	404/5T	<a href="#">10018ET3HRB405T-W22</a>	\$11,689	N1	1294	1.25	88.8	95.4	39.73	575	14
		1200	444/5T	<a href="#">10012ET3E444T-W22</a>	\$15,631	N1	1786	1.25	121	95	45.157	230/460	
		1200	444/5T	<a href="#">10012ET3ERB444T-W22</a>	\$15,631	N1	1859	1.25	121	95	45.157	230/460	14
		1200	444/5T	<a href="#">10012ET3G444T-W22</a>	\$15,631	N1	1840	1.25	121	95	45.157	460	
		1200	444/5T	<a href="#">10012ET3GRB444T-W22</a>	\$15,631	N1	1854	1.25	121	95	45.157	460	14
		1200	444/5T	<a href="#">10012ET3H444T-W22</a>	\$15,631	N1	1837	1.25	96.8	95	45.157	575	
		900	444/5T	<a href="#">10009ET3E445T-W22</a>	\$26,988	N1	1900	1.25	127	94.1	45.157	230/460	
		900	444/5T	<a href="#">10009ET3G445T-W22</a>	\$26,988	N1	1939	1.25	127	94.1	45.157	460	
125	90	3600	444/5TS	<a href="#">12536ET3E444TS-W22</a>	\$15,350	N1	1802	1.15	134	95	41.407	230/460	
		3600	444/5TS	<a href="#">12536ET3G444TS-W22</a>	\$15,350	N1	1798	1.15	134	95	41.407	460	
		3600	444/5TS	<a href="#">12536ET3H444TS-W22</a>	\$15,350	N1	1795	1.15	107	95	41.407	575	
		1800	444/5TS	<a href="#">12518ET3E444TS-W22</a>	\$14,748	N1	1627	1.15	139	95.4	41.407	230/460	
		1800	444/5T	<a href="#">12518ET3E444T-W22</a>	\$14,748	N1	1699	1.15	139	95.4	45.157	230/460	
		1800	444/5T	<a href="#">12518ET3ERB444T-W22</a>	\$14,748	N1	1730	1.15	139	95.4	45.157	230/460	14
		1800	444/5T	<a href="#">12518ET3G444T-W22</a>	\$14,748	N1	1710	1.15	139	95.4	45.157	460	
		1800	444/5T	<a href="#">12518ET3GRB444T-W22</a>	\$14,748	N1	1736	1.15	139	95.4	45.157	460	14
		1800	444/5T	<a href="#">12518ET3H444T-W22</a>	\$14,748	N1	1815	1.15	111	95.4	45.157	575	
		1200	444/5T	<a href="#">12512ET3E445T-W22</a>	\$17,947	N1	1980	1.15	143	95	45.157	230/460	
		1200	444/5T	<a href="#">12512ET3ERB445T-W22</a>	\$17,947	N1	1993	1.15	143	95	45.157	230/460	14
		1200	444/5T	<a href="#">12512ET3G445T-W22</a>	\$17,947	N1	1893	1.15	143	95	45.157	460	
		1200	444/5T	<a href="#">12512ET3GRB445T-W22</a>	\$17,947	N1	1996	1.15	143	95	45.157	460	14
		1200	444/5T	<a href="#">12512ET3H445T-W22</a>	\$17,947	N1	1974	1.15	114	95	45.157	575	
		900	445/7T	<a href="#">12509ET3G447T-W22</a>	\$28,175	N1	2235	1.15	151	94.5	48.701	460	

continued on next page





## TEFC Foot Mount - W22 Cast Iron - continued

HP	kW	RPM	Frame	Catalog Number	List Price	Mult. Symbol	Approx. Shipping Weight (lbs)	Service Factor	FL Amps @ High	FL. Eff (%)	"C" Dimension (in)	Voltage (V)	Notes
150	110	3600	444/5TS	<a href="#">15036ET3E445TS-W22</a>	\$18,882	N1	1899	1.15	161	95	41.407	230/460	
			444/5TS	<a href="#">15036ET3G445TS-W22</a>	\$18,882	N1	1908	1.15	161	95	41.407	460	
			444/5TS	<a href="#">15018ET3G445TS-W22</a>	\$17,420	N1	1869	1.15	170	95.8	41.407	460	
			444/5T	<a href="#">15018ET3E445T-W22</a>	\$17,420	N1	1918	1.15	170	95.8	45.157	230/460	
			444/5T	<a href="#">15018ET3G445T-W22</a>	\$17,420	N1	1905	1.15	170	95.8	45.157	460	
			444/5T	<a href="#">15018ET3GRB445T-W22</a>	\$17,420	N1	1853	1.15	170	95.8	45.157	460	14
			444/5T	<a href="#">15018ET3H445T-W22</a>	\$17,420	N1	1958	1.15	136	95.8	45.157	575	
			444/5T	<a href="#">15018ET3HRB445T-W22</a>	\$17,420	N1	2034	1.15	136	95.8	45.157	575	14
			445/7T	<a href="#">15012ET3E447T-W22</a>	\$20,639	N1	2354	1.15	176	95.8	48.701	230/460	
			445/7T	<a href="#">15012ET3G447T-W22</a>	\$20,639	N1	2472	1.15	176	95.8	48.701	460	
			445/7T	<a href="#">15012ET3GRB447T-W22</a>	\$20,639	N1	2371	1.15	176	95.8	48.701	460	14
			445/7T	<a href="#">15012ET3H447T-W22</a>	\$20,639	N1	2467	1.15	141	95.8	48.701	575	
	447/9T	<a href="#">15009ET3G449T-W22</a>	\$30,677	N1	3079	1.15	185	94.5	56.338	460			
200	150	3600	445/7TS	<a href="#">20036ET3E447TS-W22</a>	\$23,562	N1	2224	1.15	219	95.4	44.951	230/460	
		3600	445/7TS	<a href="#">20036ET3G447TS-W22</a>	\$23,562	N1	2046	1.15	219	95.4	44.951	460	
		3600	504/5S	<a href="#">20036ET3G504S-W22</a>	\$23,562	N1	2373	1.15	222	95.4	48.215	460	
		1800	445/7TS	<a href="#">20018ET3G447TS-W22</a>	\$21,098	N1	2138	1.15	230	96.2	44.951	460	
		1800	445/7T	<a href="#">20018ET3E447T-W22</a>	\$21,098	N1	2349	1.15	230	96.2	48.701	230/460	
		1800	445/7T	<a href="#">20018ET3G447T-W22</a>	\$21,098	N1	2224	1.15	230	96.2	48.701	460	
		1800	445/7T	<a href="#">20018ET3GRB447T-W22</a>	\$21,098	N1	2209	1.15	230	96.2	48.701	460	14
		1800	445/7T	<a href="#">20018ET3H447T-W22</a>	\$21,098	N1	2477	1.15	184	96.2	48.701	575	
		1800	445/7T	<a href="#">20018ET3HRB447T-W22</a>	\$21,098	N1	1850	1.15	184	96.2	48.701	575	14
		1800	504/5	<a href="#">20018ET3G504-W22</a>	\$21,098	N1	2621	1.15	228	96.2	54.095	460	
		1200	445/7T	<a href="#">20012ET3G447T-W22</a>	\$25,133	N1	2406	1.15	237	95.8	48.701	460	
		1200	445/7T	<a href="#">20012ET3GRB447T-W22</a>	\$25,133	N1	2588	1.15	237	95.8	48.701	460	14
		1200	447/9T	<a href="#">20012ET3E449T-W22</a>	\$25,255	N1	2495	1.15	237	95.8	56.338	230/460	
		1200	447/9T	<a href="#">20012ET3G449T-W22</a>	\$25,255	N1	3044	1.15	237	95.8	56.338	460	
		1200	447/9T	<a href="#">20012ET3GRB449T-W22</a>	\$25,255	N1	2940	1.15	237	95.8	56.338	460	14
		1200	447/9T	<a href="#">20012ET3H449T-W22</a>	\$25,255	N1	2933	1.15	190	95.8	56.338	575	
		1200	504/5	<a href="#">20012ET3G505-W22</a>	\$25,255	N1	2467	1.15	237	95.8	54.095	460	
		900	447/9T	<a href="#">20009ET3G449T-W22</a>	\$49,899	N1	3255	1.15	254	95	56.338	460	
250	185	3600	445/7TS	<a href="#">25036ET3G447TS-W22</a>	\$29,846	N1	2535	1.15	266	95.8	44.951	460	
		3600	447/9TS	<a href="#">25036ET3G449TS-W22</a>	\$33,173	N1	2730	1.15	266	95.8	52.588	460	
		1800	445/7TS	<a href="#">25018ET3G447TS-W22</a>	\$27,189	N1	2709	1.15	281	96.2	44.951	460	
		1800	445/7TS	<a href="#">25018ET3H447TS-W22</a>	\$27,189	N1	2896	1.15	225	96.2	44.951	575	
		1800	445/7T	<a href="#">25018ET3G447T-W22</a>	\$26,716	N1	2446	1.15	281	96.2	48.701	460	
		1800	445/7T	<a href="#">25018ET3GRB447T-W22</a>	\$26,716	N1	2554	1.15	281	96.2	48.701	460	14
		1800	445/7T	<a href="#">25018ET3HRB447T-W22</a>	\$26,716	N1	2414	1.15	225	96.2	48.701	575	14
		1800	447/9T	<a href="#">25018ET3G449T-W22</a>	\$26,803	N1	2879	1.15	281	96.2	56.338	460	
		1800	447/9T	<a href="#">25018ET3GRB449T-W22</a>	\$26,803	N1	2815	1.15	281	96.2	56.338	460	14
		1200	447/9T	<a href="#">25012ET3E449T-W22</a>	\$35,555	N1	3217	1.15	292	95.8	56.338	230/460	
		1200	447/9T	<a href="#">25012ET3G449T-W22</a>	\$35,555	N1	3090	1.15	292	95.8	56.338	460	
		1200	447/9T	<a href="#">25012ET3GRB449T-W22</a>	\$35,555	N1	3224	1.15	292	95.8	56.338	460	14
		1200	447/9T	<a href="#">25012ET3H449T-W22</a>	\$35,555	N1	3206	1.15	234	95.8	56.338	575	
		1200	586/7	<a href="#">25012ET3G586/7-W22</a>	\$39,631	N1	3769	1.15	299	95.8	61.902	460	43
		900	L447/9T	<a href="#">25009ET3G449T-W22</a>	\$56,168	N1	3590	1.15	308	95.4	57.181	460	43

continued on next page

## TEFC Foot Mount - W22 Cast Iron - continued

HP	kW	RPM	Frame	Catalog Number	List Price	Mult. Symbol	Approx. Shipping Weight (lbs)	Service Factor	FL Amps @ High	FL Eff (%)	"C" Dimension (in)	Voltage (V)	Notes
300	220	3600	447/9TS	<a href="#">30036ET3G449TS-W22</a>	\$38,269	N1	2987	1.15	320	95.8	52.588	460	
		1800	447/9TS	<a href="#">30018ET3G449TS-W22</a>	\$31,384	N1	2894	1.15	330	96.2	52.588	460	44
		1800	447/9T	<a href="#">30018ET3G449T-W22</a>	\$31,384	N1	2888	1.15	330	96.2	56.338	460	
		1800	447/9T	<a href="#">30018ET3GRB449T-W22</a>	\$31,384	N1	2992	1.15	330	96.2	56.338	460	14
		1200	447/9T	<a href="#">30012ET3G449T-W22</a>	\$38,437	N1	3178	1.15	356	95.8	56.338	460	37
		1200	586/7	<a href="#">30012ET3G586/7-W22</a>	\$44,301	N1	4061	1.15	356	95.8	61.902	460	43
		900	L447/9T	<a href="#">30009ET3G449T-W22</a>	\$58,655	N1	3826	1.15	371	95.4	57.181	460	19;43
350	260	3600	447/9TS	<a href="#">35036ET3G449TS-W22</a>	\$43,805	N1	3120	1.15	377	96.2	52.588	460	
		1800	447/9TS	<a href="#">35018ET3G449TS-W22</a>	\$36,517	N1	3123	1.15	394	96.2	52.588	460	44
		1800	447/9T	<a href="#">35018ET3G449T-W22</a>	\$36,517	N1	3168	1.15	394	96.2	56.338	460	
		1800	447/9T	<a href="#">35018ET3GRB449T-W22</a>	\$36,517	N1	2941	1.15	394	96.2	56.338	460	14
		1200	L447/9T	<a href="#">35012ET3G449T-W22</a>	\$47,633	N1	3781	1.15	415	95.8	57.181	460	37;43
		1200	L447/9T	<a href="#">35012ET3GRB449T-W22</a>	\$47,633	N1	3800	1.15	415	95.8	57.181	460	14;19;37;43
		900	586/7	<a href="#">35009ET3G586/7-W22</a>	\$64,873	N1	5028	1	426	95.8	61.902	460	1;43
400	300	3600	L447/9TS	<a href="#">40036ET3G449TS-W22</a>	\$44,605	N1	3361	1.15	432	95.8	53.431	460	43
		1800	L447/9TS	<a href="#">40018ET3G449TS-W22</a>	\$43,805	N1	3328	1.15	445	96.2	53.431	460	43
		1800	L447/9T	<a href="#">40018ET3G449T-W22</a>	\$43,805	N1	3416	1.15	445	96.2	57.181	460	43
		1800	L447/9T	<a href="#">40018ET3GRB449T-W22</a>	\$43,805	N1	3404	1.15	445	96.2	57.181	460	14;43
		1800	L447/9T	<a href="#">40018ET3H449T-W22</a>	\$43,805	N1	3400	1.15	356	96.2	57.181	575	43
		1200	L447/9T	<a href="#">40012ET3G449T-W22</a>	\$52,307	N1	3720	1.15	477	95.8	57.181	460	19;37;43
		1200	L447/9T	<a href="#">40012ET3GRB449T-W22</a>	\$52,307	N1	3827	1.15	477	95.8	57.181	460	14;19;37;43
		1200	586/7	<a href="#">40012ET3G586/7-W22</a>	\$56,201	N1	4663	1.15	483	96.2	61.902	460	43
		900	588/9	<a href="#">40009ET3G588/9-W22</a>	\$66,123	N1	3308	1	498	95.7	69.381	460	1;43
450	330	3600	L447/9TS	<a href="#">45036ET3G449TS-W22</a>	\$49,610	N1	3537	1	475	95.8	53.431	460	1;43
		1800	L447/9T	<a href="#">45018ET3G449T-W22</a>	\$48,010	N1	3681	1.15	501	96.2	57.181	460	43
		1800	L447/9T	<a href="#">45018ET3GRB449T-W22</a>	\$48,010	N1	3657	1.15	501	96.2	57.181	460	14;43
		1200	586/7	<a href="#">45012ET3G586/7-W22</a>	\$62,251	N1	4957	1	532	96.2	61.902	460	1;43
		1200	586/7	<a href="#">45012ET3GRB586/7-W22</a>	\$62,251	N1	5248	1	532	96.2	61.902	460	1;14;43
		900	588/9	<a href="#">45009ET3G588/9-W22</a>	\$68,715	N1	5915	1	534	95.8	69.381	460	1;43;44
		3600	586/7S	<a href="#">50036ET3G586/7S-W22</a>	\$56,305	N1	4649	1.15	530	96.2	55.027	460	43;44
500	370	1800	L447/9T	<a href="#">50018ET3G449T-W22</a>	\$50,594	N1	3889	1	561	96.2	57.181	460	1;43;44
		1800	L447/9T	<a href="#">50018ET3GRB449T-W22</a>	\$50,594	N1	5424	1	561	96.2	57.181	460	14;19;43
		1200	586/7	<a href="#">50012ET3G586/7-W22</a>	\$62,962	N1	4916	1	603	96.2	61.902	460	1;43;44
		3600	588/9S	<a href="#">60036ET3G588/9S-W22</a>	\$64,635	N1	5142	1	650	96.5	62.506	460	1;43;44
600	450	1800	586/7	<a href="#">60018ET3G586/7-W22</a>	\$60,316	N1	4963	1	665	96.5	61.902	460	1;43;44
		1200	588/9	<a href="#">60012ET3G588/9-W22</a>	\$71,374	N1	6168	1	743	96.2	69.381	460	1;43;44
		3600	588/9S	<a href="#">65036ET3G588/9S-W22</a>	\$66,835	N1	4805	1	685	96.6	62.506	460	1;43;44
650	480	1800	588/9	<a href="#">65018ET3G588/9-W22</a>	\$66,701	N1	5597	1	734	96.6	69.381	460	1;43;44
		3600	588/9S	<a href="#">70036ET3G588/9S-W22</a>	\$71,254	N1	5680	1	736	96.6	62.506	460	1;19;43;44
700	515	1800	588/9	<a href="#">70018ET3G588/9-W22</a>	\$71,185	N1	5940	1	788	96.6	69.381	460	1;43;44
		750	550	1800	588/9	<a href="#">75018ET3G588/9-W22</a>	\$74,025	N1	3308	1	840	96.7	69.381



# Three-Phase General Purpose Motors

## TEFC - C-Face - Foot Mount - W22 Cast Iron

HP	kW	RPM	Frame	Catalog Number	List Price	Mult. Symbol	Approx. Shipping Weight (lbs)	Service Factor	FL Amps @ High	FL. Eff (%)	"C" Dimension (in.)	Voltage (V)	Notes
1	0.75	3600	143/5TC	<a href="#">00136ET3E143TC-W22</a>	\$566	N1	47	1.25	1.44	81.5	13.358	230/460	
		1800	143/5TC	<a href="#">00118ET3E143TC-W22</a>	\$555	N1	50	1.25	1.47	85.5	13.358	230/460	
		1800	143/5TC	<a href="#">00118ET3H143TC-W22</a>	\$555	N1	50	1.25	1.18	85.5	13.358	575	
		1200	143/5TC	<a href="#">00112ET3E145TC-W22</a>	\$636	N1	57	1.25	1.73	82.5	13.358	230/460	
1.5	1.1	3600	143/5TC	<a href="#">00156ET3E143TC-W22</a>	\$571	N1	52	1.25	1.96	84	13.358	230/460	
		3600	143/5TC	<a href="#">00156ET3H143TC-W22</a>	\$571	N1	51	1.25	1.57	84	13.358	575	
		1800	143/5TC	<a href="#">00158ET3E145TC-W22</a>	\$579	N1	56	1.25	2.02	86.5	13.358	230/460	
		1800	143/5TC	<a href="#">00158ET3H145TC-W22</a>	\$579	N1	56	1.25	1.62	86.5	13.358	575	
2	1.5	1200	182/4TC	<a href="#">00152ET3E182TC-W22</a>	\$792	N1	101	1.25	2.54	87.5	15.86	230/460	
		3600	143/5TC	<a href="#">00236ET3E145TC-W22</a>	\$619	N1	56	1.25	2.56	85.5	13.358	230/460	
		3600	143/5TC	<a href="#">00236ET3H145TC-W22</a>	\$619	N1	56	1.25	2.05	85.5	13.358	575	
		1800	143/5TC	<a href="#">00218ET3E145TC-W22</a>	\$640	N1	53	1.25	2.76	86.5	13.358	230/460	
2	1.5	1800	143/5TC	<a href="#">00218ET3H145TC-W22</a>	\$640	N1	57	1.25	2.21	86.5	13.358	575	
		1200	182/4TC	<a href="#">00212ET3E184TC-W22</a>	\$857	N1	112	1.25	3.22	88.5	15.86	230/460	39
		3600	182/4TC	<a href="#">00336ET3E182TC-W22</a>	\$802	N1	103	1.25	3.63	86.5	15.86	230/460	
		3600	182/4TC	<a href="#">00336ET3H182TC-W22</a>	\$802	N1	103	1.25	2.9	86.5	15.86	575	
3	2.2	1800	182/4TC	<a href="#">00318ET3E182TC-W22</a>	\$700	N1	96	1.25	3.91	89.5	15.86	230/460	
		1800	182/4TC	<a href="#">00318ET3H182TC-W22</a>	\$700	N1	98	1.25	3.13	89.5	15.86	575	
		1200	213/5TC	<a href="#">00312ET3E213TC-W22</a>	\$1,180	N1	166	1.25	4.41	89.5	19.517	230/460	
		900	213/5TC	<a href="#">00309ET3E215TC-W22</a>	\$2,166	N1	192	1.25	4.55	85.5	19.517	230/460	
5	3.7	3600	182/4TC	<a href="#">00536ET3E184TC-W22</a>	\$911	N1	110	1.25	5.9	88.5	15.86	230/460	
		3600	182/4TC	<a href="#">00536ET3H184TC-W22</a>	\$911	N1	109	1.25	4.72	88.5	15.86	575	
		1800	182/4TC	<a href="#">00518ET3E184TC-W22</a>	\$810	N1	107	1.25	6.45	89.5	15.86	230/460	
		1800	182/4TC	<a href="#">00518ET3H184TC-W22</a>	\$810	N1	108	1.25	5.16	89.5	15.86	575	
5	3.7	1200	213/5TC	<a href="#">00512ET3E215TC-W22</a>	\$1,384	N1	183	1.25	6.83	89.5	19.517	230/460	
		3600	182/4TC	<a href="#">00736ET3E184TC-W22</a>	\$1,112	N1	110	1.25	8.76	89.5	15.86	230/460	
		3600	182/4TC	<a href="#">00736ET3H184TC-W22</a>	\$1,112	N1	109	1.25	7.01	89.5	15.86	575	
		3600	213/5TC	<a href="#">00736ET3E213TC-W22</a>	\$1,177	N1	166	1.25	8.76	89.5	19.517	230/460	
7.5	5.5	3600	213/5TC	<a href="#">00736ET3H213TC-W22</a>	\$1,177	N1	166	1.25	7.01	89.5	19.517	575	
		1800	213/5TC	<a href="#">00718ET3E213TC-W22</a>	\$1,141	N1	174	1.25	9.18	91.7	19.517	230/460	
		1800	213/5TC	<a href="#">00718ET3H213TC-W22</a>	\$1,141	N1	178	1.25	7.34	91.7	19.517	575	
		1200	254/6TC	<a href="#">00712ET3E254TC-W22</a>	\$2,134	N1	321	1.25	9.48	91	24.945	230/460	
10	7.5	900	254/6TC	<a href="#">00709ET3E256TC-W22</a>	\$3,726	N1	341	1.25	11.1	87.5	24.945	230/460	
		3600	213/5TC	<a href="#">01036ET3E215TC-W22</a>	\$1,383	N1	178	1.25	11.6	90.2	19.517	230/460	
		3600	213/5TC	<a href="#">01036ET3H215TC-W22</a>	\$1,383	N1	183	1.25	9.28	90.2	19.517	575	
		1800	213/5TC	<a href="#">01018ET3E215TC-W22</a>	\$1,325	N1	183	1.25	12.4	91.7	19.517	230/460	
10	7.5	1800	213/5TC	<a href="#">01018ET3H215TC-W22</a>	\$1,325	N1	191	1.25	9.92	91.7	19.517	575	
		1200	254/6TC	<a href="#">01012ET3E256TC-W22</a>	\$2,465	N1	329	1.25	12.9	91	24.945	230/460	
		3600	213/5TC	<a href="#">01536ET3E215TC-W22</a>	\$1,748	N1	187	1.25	17	91	19.517	230/460	
		3600	254/6TC	<a href="#">01536ET3E254TC-W22</a>	\$1,893	N1	295	1.25	17.2	91	24.945	230/460	
15	11	3600	254/6TC	<a href="#">01536ET3H254TC-W22</a>	\$1,893	N1	302	1.25	13.8	91	24.945	575	
		1800	254/6TC	<a href="#">01518ET3E254TC-W22</a>	\$1,917	N1	340	1.25	18	92.4	24.945	230/460	
		1800	254/6TC	<a href="#">01518ET3H254TC-W22</a>	\$1,917	N1	351	1.25	14.4	92.4	24.945	575	
		1200	284/6TC	<a href="#">01512ET3E284TC-W22</a>	\$3,388	N1	430	1.25	17.9	91.7	27.929	230/460	
15	11	1200	284/6TC	<a href="#">01512ET3H284TC-W22</a>	\$3,388	N1	428	1.25	14.3	91.7	27.929	575	

continued on next page



## TEFC - C-Face - Foot Mount - W22 Cast Iron - continued

HP	KW	RPM	Frame	Catalog Number	List Price	Mult. Symbol	Approx. Shipping Weight (lbs)	Service Factor	FL Amps @ High	FL Eff (%)	"C" Dimension (in.)	Voltage (V)	Notes
20	15	3600	254/6TC	<a href="#">02036ET3E256TC-W22</a>	\$2,451	N1	318	1.25	23.2	91	24.945	230/460	
		3600	254/6TC	<a href="#">02036ET3H256TC-W22</a>	\$2,451	N1	327	1.25	18.6	91	24.945	575	
		1800	254/6TC	<a href="#">02018ET3E256TC-W22</a>	\$2,270	N1	389	1.25	24.1	93	24.945	230/460	
		1800	254/6TC	<a href="#">02018ET3H256TC-W22</a>	\$2,270	N1	401	1.25	19.3	93	24.945	575	
		1200	284/6TC	<a href="#">02012ET3E286TC-W22</a>	\$4,060	N1	457	1.25	24.2	91.7	27.929	230/460	
25	18.5	3600	284/6TSC	<a href="#">02536ET3E284TSC-W22</a>	\$3,096	N1	416	1.25	28.5	91.7	26.557	230/460	
		3600	284/6TSC	<a href="#">02536ET3H284TSC-W22</a>	\$3,096	N1	413	1.25	22.8	91.7	26.557	575	
		1800	284/6TC	<a href="#">02518ET3E284TC-W22</a>	\$2,840	N1	418	1.25	29.5	93.6	27.929	230/460	
		1800	284/6TC	<a href="#">02518ET3H284TC-W22</a>	\$2,840	N1	447	1.25	23.6	93.6	27.929	575	
		1200	324/6TC	<a href="#">02512ET3E324TC-W22</a>	\$4,858	N1	601	1.25	30.4	93	31.116	230/460	
30	22	3600	284/6TSC	<a href="#">03036ET3E286TSC-W22</a>	\$3,659	N1	433	1.25	33.8	91.7	26.557	230/460	
		3600	284/6TSC	<a href="#">03036ET3H286TSC-W22</a>	\$3,659	N1	433	1.25	27	91.7	26.557	575	
		1800	284/6TC	<a href="#">03018ET3E286TC-W22</a>	\$3,321	N1	466	1.25	35.1	93.6	27.929	230/460	
		1800	284/6TC	<a href="#">03018ET3H286TC-W22</a>	\$3,321	N1	484	1.25	28.1	93.6	27.929	575	
		1200	324/6TC	<a href="#">03012ET3E326TC-W22</a>	\$5,394	N1	645	1.25	36.2	93	31.116	230/460	
40	30	3600	324/6TSC	<a href="#">04036ET3E324TSC-W22</a>	\$4,845	N1	606	1.25	45.8	92.4	29.616	230/460	
		3600	324/6TSC	<a href="#">04036ET3H324TSC-W22</a>	\$4,845	N1	605	1.25	36.6	92.4	29.616	575	
		1800	324/6TSC	<a href="#">04018ET3E324TSC-W22</a>	\$4,300	N1	629	1.25	47.1	94.1	29.616	230/460	
		1800	324/6TC	<a href="#">04018ET3E324TC-W22</a>	\$4,300	N1	606	1.25	47.1	94.1	31.116	230/460	
		1800	324/6TC	<a href="#">04018ET3H324TC-W22</a>	\$4,300	N1	630	1.25	37.7	94.1	31.116	575	
		1200	364/5TC	<a href="#">04012ET3E364TC-W22</a>	\$7,576	N1	1032	1.25	46.5	94.1	34.251	230/460	
50	37	3600	324/6TSC	<a href="#">05036ET3E326TSC-W22</a>	\$5,437	N1	628	1.25	56.1	93	29.616	230/460	
		1800	324/6TSC	<a href="#">05018ET3E326TSC-W22</a>	\$5,221	N1	614	1.25	59.2	94.5	29.616	230/460	
		1800	324/6TC	<a href="#">05018ET3E326TC-W22</a>	\$5,221	N1	625	1.25	59.2	94.5	31.116	230/460	
		1800	324/6TC	<a href="#">05018ET3H326TC-W22</a>	\$5,221	N1	651	1.25	47.4	94.5	31.116	575	
		1200	364/5TC	<a href="#">05012ET3E365TC-W22</a>	\$8,960	N1	1048	1.25	57.4	94.1	34.251	230/460	
60	45	3600	364/5TSC	<a href="#">06036ET3E364TSC-W22</a>	\$7,994	N1	990	1.25	67	93.6	32.338	230/460	
		3600	364/5TSC	<a href="#">06036ET3H364TSC-W22</a>	\$7,994	N1	992	1.25	53.6	93.6	32.338	575	
		1800	364/5TC	<a href="#">06018ET3E364TC-W22</a>	\$7,831	N1	961	1.25	68.3	95	34.251	230/460	
		1800	364/5TC	<a href="#">06018ET3H364TC-W22</a>	\$7,831	N1	1060	1.25	54.6	95	34.251	575	
		3600	364/5TSC	<a href="#">07536ET3E365TSC-W22</a>	\$9,533	N1	993	1.25	81.9	93.6	32.338	230/460	
75	55	1800	364/5TC	<a href="#">07518ET3E365TC-W22</a>	\$9,148	N1	1024	1.25	84.1	95.4	34.251	230/460	
		1800	364/5TC	<a href="#">07518ET3H365TC-W22</a>	\$9,148	N1	1075	1.25	67.3	95.4	34.251	575	
		1200	404/5TC	<a href="#">07512ET3H405TC-W22</a>	\$12,549	N1	1337	1.25	67.9	94.5	39.73	575	
		1800	404/5TSC	<a href="#">10018ET3E405TSC-W22</a>	\$12,179	N1	1256	1.25	111	95.4	36.732	230/460	
100	75	1800	404/5TC	<a href="#">10018ET3E405TC-W22</a>	\$12,179	N1	1256	1.25	111	95.4	39.73	230/460	
		1800	404/5TC	<a href="#">10018ET3H405TC-W22</a>	\$12,179	N1	1318	1.25	88.8	95.4	39.73	575	
		1800	444/5TSC	<a href="#">12518ET3G444TSC-W22</a>	\$16,218	N1	1759	1.15	139	95.4	41.407	460	
125	90	1800	444/5TC	<a href="#">12518ET3E444TC-W22</a>	\$16,218	N1	1887	1.15	139	95.4	45.157	230/460	
		1800	444/5TC	<a href="#">12518ET3G444TC-W22</a>	\$16,218	N1	1851	1.15	139	95.4	45.157	460	
		1800	444/5TC	<a href="#">12518ET3H444TC-W22</a>	\$16,218	N1	1851	1.15	111	95.4	45.157	575	
		1800	444/5TC	<a href="#">15018ET3E445TC-W22</a>	\$18,025	N1	1919	1.15	170	95.8	45.157	230/460	
150	110	1800	444/5TC	<a href="#">15018ET3G445TC-W22</a>	\$18,025	N1	1997	1.15	170	95.8	45.157	460	
200	150	1800	445/7TC	<a href="#">20018ET3G447TC-W22</a>	\$21,704	N1	2523	1.15	230	96.2	48.701	460	
250	185	1800	445/7TSC	<a href="#">25018ET3G447TSC-W22</a>	\$34,280	N1	2361	1.15	281	96.2	44.951	460	
300	220	1800	447/9TC	<a href="#">30018ET3G449TC-W22</a>	\$31,990	N1	3069	1.15	330	96.2	56.338	460	

# Three-Phase General Purpose Motors

TEFC - ROLLED STEEL



## Standard Features:

- Rated Output: 0.25 to 25 HP
- Number of Poles: 2 to 6
- Class F insulation
- Frame Sizes: NEMA 56 to 254/6T
- Frequency: 60 Hz (dual rated 50 Hz 190-220/380-415V)
- F1 mount as standard
- Foot mount / C-face / Footless availability
- Enclosure: TEFC
- Aluminum endshields
- Cast Iron flanges for improved strength (182/4TC and larger)
- Internal bolts, giving a clean surface to the motor, avoiding trapping materials and allowing easy paint job after assembly to the load if required
- Double shielded ball bearings on frames 56 to 213/5T.
- Versions: General Purpose, Jet Pump, Close-coupled Pump type “JM” and “JP”, and Crop Dryer

## Optional Features:

- IP56 ingress protection
- F2 and F3 mount
- Enclosure: TEAO and TENV
- Regreasable bearings optional on 182/4T and 213/5T
- Double sealed ball bearings and/or bearing cap
- Drip cover
- Internal AEGIS® SGR
- Space heaters and thermal protection (thermostats and thermistors)
- Refer to the mod section for more options

## Features that make a difference:

- New ventilation system for improved thermal performance
- Robust foot design suitable for tougher applications
- New and more robust eyebolts design (frames 182/4T and up) plus a second eyebolt on non-drive end allowing vertical lifting capability (frames 213/5T and 254/6T)
- Oversized diagonally split aluminum terminal box that exceeds IP55 requirements
- Terminal box rotatable in 90 degrees increments for flexibility during installation
- Option for internal AEGIS® SGR
- Color coded leads as standard for easy wiring
- Regreasable ball bearings on 254/6T frame as standard (optional for 182/4T and 213/5T)
- IP55 Ingress Protection as standard, being appropriate for severe environments
- Bearing cap as standard on flanged motors, optional on non flanged
- Suitable for VFD operation as per NEMA MG1 part 31.4.4.2
- Motor frame painting system 500 hours salt spray resistant



# Three-Phase General Purpose Motors



## TEFC - Foot Mount - Rolled Steel

HP	kW	RPM	Frame	Catalog Number	List Price	Mult. Symbol	Approx. Shipping Weight (lbs)	Service Factor	FL Amps @ High	FL Eff (%)	"C" Dimension (in.)	Voltage (V)	Notes
0.25	0.18	3600	56	<a href="#">.2536ES3E56-S</a>	\$237	F1	21	1.15	0.5	57.5	11.142	208-230/460	9
		1800	56	<a href="#">.2518ES3E56-S</a>	\$249	F1	23	1.15	0.5	70	11.142	208-230/460	9
		3600	56	<a href="#">.3336ES3E56-S</a>	\$249	F1	22	1.15	0.6	62	11.142	208-230/460	9
		1800	56	<a href="#">.3318ES3E56-S</a>	\$253	F1	24	1.15	0.6	74	11.535	208-230/460	9
0.5	0.37	3600	56	<a href="#">.5036ES3E56-S</a>	\$258	F1	24	1.15	0.8	68	11.535	208-230/460	9
		1800	56	<a href="#">.5018ES3E56-S</a>	\$287	F1	26	1.15	0.9	77	11.535	208-230/460	9
		1800	56	<a href="#">.5018ES3H56-S</a>	\$288	F1	26	1.15	0.7	77	11.535	575	9
		1200	56	<a href="#">.5012ES3E56-S</a>	\$417	F1	31	1.15	1	72	12.323	208-230/460	9
0.75	0.55	3600	56	<a href="#">.7536ES3E56-S</a>	\$287	F1	25	1.15	1.1	72	11.535	208-230/460	9
		3600	56	<a href="#">.7536ES3H56-S</a>	\$288	F1	25	1.15	0.9	72	11.535	575	9
		1800	56	<a href="#">.7518ES3E56-S</a>	\$311	F1	28	1.15	1.2	78.5	11.929	208-230/460	9
		1200	56H	<a href="#">.7512ES3E56-S</a>	\$427	F1	34	1.15	1.3	75.5	12.716	208-230/460	9
1	0.75	3600	W56	<a href="#">00136ET3EW56-S</a>	\$392	F1	25	1.15	1.5	78.5	11.106	230/460	9
		3600	W56	<a href="#">00136ET3HW56-S</a>	\$392	F1	25	1.15	1.2	78.5	11.106	575	9
		3600	143/5T	<a href="#">00136ET3E143T-S</a>	\$420	RSP	31	1.15	1.4	78.5	13.189	230/460	9
		3600	143/5T	<a href="#">00136ET3H143T-S</a>	\$420	RSP	31	1.15	1.1	78.5	13.189	575	9
		1800	56	<a href="#">00118ET3E56-S</a>	\$379	F1	41	1.15	1.5	85.5	13.504	230/460	9
		1800	56	<a href="#">00118ET3H56-S</a>	\$379	F1	41	1.15	1.2	85.5	13.504	575	9
		1800	143/5T	<a href="#">00118ET3E143T-S</a>	\$459	RSP	42	1.15	1.5	85.5	13.583	230/460	9
		1800	143/5T	<a href="#">00118ET3H143T-S</a>	\$459	RSP	42	1.15	1.2	85.5	13.583	575	9
		1200	56H	<a href="#">00112ET3E56-S</a>	\$497	F1	42	1.15	1.6	82.5	13.504	230/460	9
		1200	143/5T	<a href="#">00112ET3E145T-S</a>	\$529	RSP	43	1.15	1.6	82.5	13.583	230/460	9
1200	143/5T	<a href="#">00112ET3H145T-S</a>	\$529	RSP	43	1.15	1.3	82.5	13.583	575	9		
1.5	1.1	3600	56	<a href="#">00156ET3E56-S</a>	\$433	F1	37	1.15	1.9	84	13.109	230/460	9
		3600	143/5T	<a href="#">00156ET3E143T-S</a>	\$473	RSP	39	1.15	1.9	84	13.189	230/460	9
		3600	143/5T	<a href="#">00156ET3H143T-S</a>	\$473	RSP	39	1.15	1.5	84	13.189	575	9
		1800	56H	<a href="#">00158ET3E56-S</a>	\$435	F1	44	1.15	2	86.5	13.504	230/460	9
		1800	143/5T	<a href="#">00158ET3E145T-S</a>	\$480	RSP	43	1.15	2	86.5	13.583	230/460	9
		1800	143/5T	<a href="#">00158ET3H145T-S</a>	\$480	RSP	43	1.15	1.6	86.5	13.583	575	9
		1200	182/4T	<a href="#">00152ET3E182T-S</a>	\$656	RSP	76	1.15	2.2	87.5	16.339	230/460	9
		1200	182/4T	<a href="#">00152ET3H182T-S</a>	\$656	RSP	76	1.15	1.8	87.5	16.339	575	9
2	1.5	3600	56H	<a href="#">00236ET3E56-S</a>	\$489	F1	44	1.15	2.5	85.5	13.898	230/460	9
		3600	143/5T	<a href="#">00236ET3E145T-S</a>	\$514	RSP	45	1.15	2.5	85.5	13.976	230/460	9
		3600	143/5T	<a href="#">00236ET3H145T-S</a>	\$514	RSP	45	1.15	2	85.5	13.976	575	9
		1800	56H	<a href="#">00218ET3E56-S</a>	\$478	F1	46	1.15	2.7	86.5	13.898	230/460	9
		1800	143/5T	<a href="#">00218ET3E145T-S</a>	\$533	RSP	47	1.15	2.7	86.5	13.976	230/460	9
		1800	143/5T	<a href="#">00218ET3H145T-S</a>	\$533	RSP	47	1.15	2.2	86.5	13.976	575	9
		1200	182/4T	<a href="#">00212ET3E184T-S</a>	\$713	RSP	86	1.15	3	88.5	17.126	230/460	9
		1200	182/4T	<a href="#">00212ET3H184T-S</a>	\$713	RSP	86	1.15	2.4	88.5	17.126	575	9
3	2.2	3600	56H	<a href="#">00336ET3E56-S</a>	\$578	F1	54	1.15	3.5	86.5	15.079	230/460	9
		3600	182/4T	<a href="#">00336ET3E182T-S</a>	\$665	RSP	73	1.15	3.7	86.5	16.339	230/460	9
		3600	182/4T	<a href="#">00336ET3H182T-S</a>	\$665	RSP	73	1.15	3	86.5	16.339	575	9
		1800	182/4T	<a href="#">00318ET3E182T-S</a>	\$577	RSP	100	1.15	3.8	89.5	17.913	230/460	9
		1800	182/4T	<a href="#">00318ET3H182T-S</a>	\$577	RSP	100	1.15	3	89.5	17.913	575	9
		1200	213/5T	<a href="#">00312ET3E213T-S</a>	\$983	RSP	134	1.15	4.2	89.5	19.291	230/460	9
		1200	213/5T	<a href="#">00312ET3H213T-S</a>	\$983	RSP	133	1.15	3.4	89.5	19.291	575	9

continued on next page



## TEFC - Foot Mount - Rolled Steel - continued

HP	kW	RPM	Frame	Catalog Number	List Price	Mult. Symbol	Approx. Shipping Weight (lbs)	Service Factor	FL Amps @ High	FL. Eff (%)	"C" Dimension (in.)	Voltage (V)	Notes
5	3.7	3600	182/4T	<a href="#">00536ET3E184T-S</a>	\$760	RSP	85	1.15	5.9	88.5	17.913	230/460	9
		3600	182/4T	<a href="#">00536ET3H184T-S</a>	\$760	RSP	85	1.15	4.7	88.5	17.913	575	9
		1800	182/4T	<a href="#">00518ET3E184T-S</a>	\$672	RSP	93	1.15	6.5	89.5	17.913	230/460	9
		1800	182/4T	<a href="#">00518ET3H184T-S</a>	\$672	RSP	93	1.15	5.2	89.5	17.913	575	9
		1800	182/4T	<a href="#">00518ET3P184T-S</a>	\$672	RSP	93	1.15	15	89.5	17.913	200	9
		1200	213/5T	<a href="#">00512ET3E215T-S</a>	\$1,160	RSP	153	1.15	6.7	89.5	20.079	230/460	9
		1200	213/5T	<a href="#">00512ET3H215T-S</a>	\$1,160	RSP	152	1.15	5.4	89.5	20.079	575	9
7.5	5.5	3600	213/5T	<a href="#">00736ET3E213T-S</a>	\$980	RSP	143	1.15	8.7	89.5	20.079	230/460	9
		3600	213/5T	<a href="#">00736ET3H213T-S</a>	\$980	RSP	143	1.15	7	89.5	20.079	575	9
		1800	213/5T	<a href="#">00718ET3E213T-S</a>	\$948	RSP	140	1.15	9.1	91.7	18.898	230/460	9
		1800	213/5T	<a href="#">00718ET3H213T-S</a>	\$948	RSP	140	1.15	7.3	91.7	18.898	575	9
		1800	213/5T	<a href="#">00718ET3P213T-S</a>	\$948	RSP	140	1.15	20.9	91.7	18.898	200	9
		1200	254/6T	<a href="#">00712ET3E254T-S</a>	\$1,799	RSP	231	1.15	10	91	22.559	230/460	9
		1200	254/6T	<a href="#">00712ET3H254T-S</a>	\$1,799	RSP	229	1.15	8	91	22.559	575	9
10	7.5	3600	213/5T	<a href="#">01036ET3E215T-S</a>	\$1,160	RSP	178	1.15	11.5	90.2	21.654	230/460	9
		3600	213/5T	<a href="#">01036ET3H215T-S</a>	\$1,160	RSP	178	1.15	9.2	90.2	21.654	575	9
		1800	213/5T	<a href="#">01018ET3E215T-S</a>	\$1,110	RSP	151	1.15	12.2	91.7	19.291	230/460	9
		1800	213/5T	<a href="#">01018ET3H215T-S</a>	\$1,110	RSP	151	1.15	9.8	91.7	19.291	575	9
		1200	254/6T	<a href="#">01012ET3E256T-S</a>	\$2,088	RSP	261	1.15	13.8	91	23.346	230/460	9
		1200	254/6T	<a href="#">01012ET3H256T-S</a>	\$2,088	RSP	259	1.15	11	91	23.346	575	9
15	11	3600	254/6T	<a href="#">01536ET3E254T-S</a>	\$1,589	RSP	216	1.15	17.4	91	22.559	230/460	9
		3600	254/6T	<a href="#">01536ET3H254T-S</a>	\$1,589	RSP	216	1.15	13.9	91	22.559	575	9
		1800	254/6T	<a href="#">01518ET3E254T-S</a>	\$1,610	RSP	248	1.15	18.2	92.4	22.559	230/460	9
		1800	254/6T	<a href="#">01518ET3H254T-S</a>	\$1,610	RSP	248	1.15	14.6	92.4	22.559	575	9
		1800	254/6T	<a href="#">01518ET3P254T-S</a>	\$1,610	RSP	248	1.15	41.9	92.4	22.559	200	9
20	15	3600	254/6T	<a href="#">02036ET3E256T-S</a>	\$2,076	RSP	256	1.15	22.7	91	23.346	230/460	9
		3600	254/6T	<a href="#">02036ET3H256T-S</a>	\$2,076	RSP	256	1.15	18.2	91	23.346	575	9
		1800	254/6T	<a href="#">02018ET3E256T-S</a>	\$1,918	RSP	279	1.15	24.7	92.4	23.346	230/460	9
		1800	254/6T	<a href="#">02018ET3H256T-S</a>	\$1,918	RSP	279	1.15	19.8	93	23.346	575	9
25	18.5	3600	254/6T	<a href="#">02536ET3E256T-S</a>	\$2,487	RSP	252	1.15	28.5	91.7	23.346	230/460	9

# Three-Phase General Purpose Motors



## TEFC - C-Face - Foot Mount - Rolled Steel

HP	kW	RPM	Frame	Catalog Number	List Price	Mult. Symbol	Approx. Shipping Weight (lbs)	Service Factor	FL Amps @ High	FL. Eff (%)	"C" Dimension	Voltage (V)	Notes
0.25	0.18	3600	56C	<a href="#">.2536ES3E56C-S</a>	\$258	F1	21	1.15	0.5	57.5	11.142	208-230/460	9
		1800	56C	<a href="#">.2518ES3E56C-S</a>	\$270	F1	23	1.15	0.5	70	11.142	208-230/460	9
		1800	56C	<a href="#">.2518ES3H56C-S</a>	\$270	F1	23	1.15	0.4	70	11.142	575	9
0.33	0.25	3600	56C	<a href="#">.3336ES3E56C-S</a>	\$270	F1	22	1.15	0.6	62	11.142	208-230/460	9
		3600	56C	<a href="#">.3336ES3H56C-S</a>	\$270	F1	22	1.15	0.5	62	11.142	575	9
		1800	56C	<a href="#">.3318ES3E56C-S</a>	\$274	F1	24	1.15	0.6	74	11.535	208-230/460	9
0.5	0.37	3600	56C	<a href="#">.5036ES3H56C-S</a>	\$281	F1	24	1.15	0.7	68	11.535	575	9
		1800	56C	<a href="#">.5018ES3E56C-S</a>	\$311	F1	26	1.15	0.9	77	11.535	208-230/460	9
		1800	56C	<a href="#">.5018ES3H56C-S</a>	\$263	F1	26	1.15	0.7	77	11.535	575	9
		1200	56C	<a href="#">.5012ES3E56C-S</a>	\$440	F1	31	1.15	1	72	12.323	208-230/460	9
0.75	0.55	3600	56C	<a href="#">.7536ES3E56C-S</a>	\$311	F1	25	1.15	1.1	72	11.535	208-230/460	9
		3600	56C	<a href="#">.7536ES3H56C-S</a>	\$310	F1	25	1.15	0.9	72	11.535	575	9
		1800	56C	<a href="#">.7518ES3E56C-S</a>	\$332	F1	28	1.15	1.2	78.5	11.929	208-230/460	9
		1800	56C	<a href="#">.7518ES3H56C-S</a>	\$333	F1	28	1.15	1	78.5	11.929	575	9
		1200	56HC	<a href="#">.7512ES3E56C-S</a>	\$449	F1	34	1.15	1.3	75.5	12.716	208-230/460	9
1	0.75	3600	W56C	<a href="#">00136ET3EW56C-S</a>	\$420	F1	25	1.15	1.5	78.5	11.106	230/460	9
		3600	W56C	<a href="#">00136ET3HW56C-S</a>	\$420	F1	25	1.15	1.2	78.5	11.106	575	9
		1800	56C	<a href="#">00118ET3E56C-S</a>	\$407	F1	41	1.15	1.5	85.5	13.504	230/460	9
		1800	56C	<a href="#">00118ET3H56C-S</a>	\$407	F1	41	1.15	1.2	85.5	13.504	575	9
		1800	143/5TC	<a href="#">00118ET3E143TC-S</a>	\$484	RSP	42	1.15	1.5	85.5	13.583	230/460	9
		1800	143/5TC	<a href="#">00118ET3H143TC-S</a>	\$484	RSP	42	1.15	1.2	85.5	13.583	575	9
		1200	56HC	<a href="#">00112ET3E56C-S</a>	\$525	F1	42	1.15	1.6	82.5	13.504	230/460	9
		1200	143/5TC	<a href="#">00112ET3E145TC-S</a>	\$554	RSP	43	1.15	1.6	82.5	13.583	230/460	9
1.5	1.1	3600	56C	<a href="#">00156ET3E56C-S</a>	\$461	F1	37	1.15	1.9	84	13.109	230/460	9
		3600	56C	<a href="#">00156ET3H56C-S</a>	\$461	F1	37	1.15	1.5	84	13.109	575	9
		3600	143/5TC	<a href="#">00156ET3E143TC-S</a>	\$497	RSP	39	1.15	1.9	84	13.189	230/460	9
		1800	56HC	<a href="#">00158ET3E56C-S</a>	\$463	F1	44	1.15	2	86.5	13.504	230/460	9
		1800	56HC	<a href="#">00158ET3H56C-S</a>	\$463	F1	44	1.15	1.6	86.5	13.504	575	9
		1800	143/5TC	<a href="#">00158ET3E145TC-S</a>	\$504	RSP	43	1.15	2	86.5	13.583	230/460	9
		1800	143/5TC	<a href="#">00158ET3H145TC-S</a>	\$504	RSP	43	1.15	1.6	86.5	13.583	575	9
		1200	182/4TC	<a href="#">00152ET3E182TC-S</a>	\$690	RSP	85	1.15	2.2	87.5	16.339	230/460	9
2	1.5	3600	56HC	<a href="#">00236ET3E56C-S</a>	\$517	F1	44	1.15	2.5	85.5	13.898	230/460	9
		3600	56HC	<a href="#">00236ET3H56C-S</a>	\$517	F1	44	1.15	2	85.5	13.898	575	9
		3600	143/5TC	<a href="#">00236ET3H145TC-S</a>	\$539	RSP	45	1.15	2	85.5	13.976	575	9
		1800	56HC	<a href="#">00218ET3E56C-S</a>	\$506	F1	46	1.15	2.7	86.5	13.898	230/460	9
		1800	143/5TC	<a href="#">00218ET3E145TC-S</a>	\$558	RSP	47	1.15	2.7	86.5	13.976	230/460	9
		1800	143/5TC	<a href="#">00218ET3H145TC-S</a>	\$558	RSP	47	1.15	2.2	86.5	13.976	575	9
		1200	182/4TC	<a href="#">00212ET3E184TC-S</a>	\$747	RSP	96	1.15	3	88.5	17.126	230/460	9
3	2.2	3600	56HC	<a href="#">00336ET3E56C-S</a>	\$606	F1	54	1.15	3.5	86.5	15.079	230/460	9
		3600	56HC	<a href="#">00336ET3H56C-S</a>	\$606	F1	54	1.15	2.8	86.5	15.079	575	9
		3600	143/5TC	<a href="#">00336ET3E145TC-S</a>	\$674	RSP	54	1.15	3.5	86.5	15.157	230/460	9
		3600	182/4TC	<a href="#">00336ET3E182TC-S</a>	\$698	RSP	73	1.15	3.7	86.5	16.339	230/460	9
		3600	182/4TC	<a href="#">00336ET3H182TC-S</a>	\$698	RSP	73	1.15	3	86.5	16.339	575	9
		1800	182/4TC	<a href="#">00318ET3E182TC-S</a>	\$610	RSP	100	1.15	3.8	89.5	17.913	230/460	9
		1800	182/4TC	<a href="#">00318ET3H182TC-S</a>	\$610	RSP	100	1.15	3	89.5	17.913	575	9

continued on next page



## TEFC - C-Face - Foot Mount - Rolled Steel - continued

HP	kW	RPM	Frame	Catalog Number	List Price	Mult. Symbol	Approx. Shipping Weight (lbs)	Service Factor	FL Amps @ High	FL. Eff (%)	"C" Dimension	Voltage (V)	Notes
5	3.7	3600	182/4TC	<a href="#">00536ET3H184TC-S</a>	<b>\$793</b>	RSP	98	1.15	4.7	88.5	17.913	575	9
		1800	182/4TC	<a href="#">00518ET3E184TC-S</a>	<b>\$876</b>	RSP	81	1.15	6.5	89.5	17.913	230/460	9
		1800	182/4TC	<a href="#">00518ET3H184TC-S</a>	<b>\$706</b>	RSP	93	1.15	5.2	89.5	17.913	575	9
7.5	5.5	3600	182/4TC	<a href="#">00736ET3E184TC-S</a>	<b>\$985</b>	RSP	101	1.15	8.6	89.5	17.126	230/460	9
		3600	213/5TC	<a href="#">00736ET3H213TC-S</a>	<b>\$1,025</b>	RSP	153	1.15	7	89.5	20.079	575	9
10	7.5	3600	213/5TC	<a href="#">01036ET3H215TC-S</a>	<b>\$1,205</b>	RSP	178	1.15	9.2	90.2	21.654	575	9
		1800	213/5TC	<a href="#">01018ET3E215TC-S</a>	<b>\$1,354</b>	RSP	151	1.15	12.2	91.7	19.291	230/460	9
		1800	213/5TC	<a href="#">01018ET3H215TC-S</a>	<b>\$1,154</b>	RSP	151	1.15	9.8	91.7	19.291	575	9
		3600	254/6TC	<a href="#">01536ET3H254TC-S</a>	<b>\$1,649</b>	RSP	216	1.15	13.9	91	22.559	575	9
		1800	254/6TC	<a href="#">01518ET3H254TC-S</a>	<b>\$1,670</b>	RSP	248	1.15	14.6	92.4	22.559	575	9
20	15	3600	254/6TC	<a href="#">02036ET3H256TC-S</a>	<b>\$2,136</b>	RSP	256	1.15	18.2	91	23.346	575	9
		1800	254/6TC	<a href="#">02018ET3H256TC-S</a>	<b>\$1,978</b>	RSP	279	1.15	19.8	93	23.346	575	9



## TEFC - C-Face - Foot Mount w/ AEGIS® Ring

HP	kW	RPM	Frame	Catalog Number	List Price	Mult. Symbol	Approx. Shipping Weight (lbs)	Service Factor	FL Amps @ High	FL. Eff (%)	"C" Dimension (in)	Voltage (V)	Notes
3	2.2	1800	182/4TC	<a href="#">00318ET3E182TC-SG</a>	<b>\$780</b>	RSP	87	1.15	3.80	89.5	17.913	230/460	9;34
5	3.7	3600	182/4TC	<a href="#">00536ET3E184TC-SG</a>	<b>\$963</b>	RSP	98	1.15	5.90	88.5	17.913	230/460	9;34
		1800	182/4TC	<a href="#">00518ET3E184TC-SG</a>	<b>\$876</b>	RSP	81	1.15	6.50	89.5	17.913	230/460	9;34
7.5	5.5	3600	213/5TC	<a href="#">00736ET3E213TC-SG</a>	<b>\$1,225</b>	RSP	145	1.15	8.70	89.5	20.079	230/460	9;34
		1800	213/5TC	<a href="#">00718ET3E213TC-SG</a>	<b>\$1,194</b>	RSP	140	1.15	9.10	91.7	18.898	230/460	9;34
10	7.5	3600	213/5TC	<a href="#">01036ET3E215TC-SG</a>	<b>\$1,405</b>	RSP	178	1.15	11.5	90.2	21.654	230/460	9;34
		1800	213/5TC	<a href="#">01018ET3E215TC-SG</a>	<b>\$1,354</b>	RSP	151	1.15	12.2	91.7	19.291	230/460	9;34
15	11	3600	254/6TC	<a href="#">01536ET3E254TC-SG</a>	<b>\$1,929</b>	RSP	216	1.15	17.4	91.0	22.559	230/460	9;34
		1800	254/6TC	<a href="#">01518ET3E254TC-SG</a>	<b>\$1,950</b>	RSP	248	1.15	18.2	92.4	22.559	230/460	9;34
20	15	3600	254/6TC	<a href="#">02036ET3E256TC-SG</a>	<b>\$2,416</b>	RSP	245	1.15	22.7	91.0	23.346	230/460	9;34
		1800	254/6TC	<a href="#">02018ET3E256TC-SG</a>	<b>\$2,258</b>	RSP	279	1.15	24.7	93.0	23.346	230/460	9;34

# Severe Duty Three-Phase Motors

IEEE 841 - THREE PHASE

## TEFC - NEMA Premium®

WEG's IEEE 841 motors are specially suited for Pulp & Paper mills, Steel mills, Petrochemical Plants and diverse demanding applications requiring severe duty long life motors.

WEG's W22 cast iron platform has a superior cooling system and solid feet for cool operation and lower vibration and noise extending the life of the motor.

### Standard Features:

- Class F insulation (Impregnation Resin and magnet wire are class H)
- F1 Mounted (F2 convertible). Frames 447T and up can easily be F2 converted by simply rotating the terminal box adapter
- Stainless Steel Nameplate - Laser etched with high contrast background
- All frames with regreasable ball bearings
- Class I, Div. 2, Groups A, B, C & D – T3, Class II, Div 2, Groups F & G – T3C

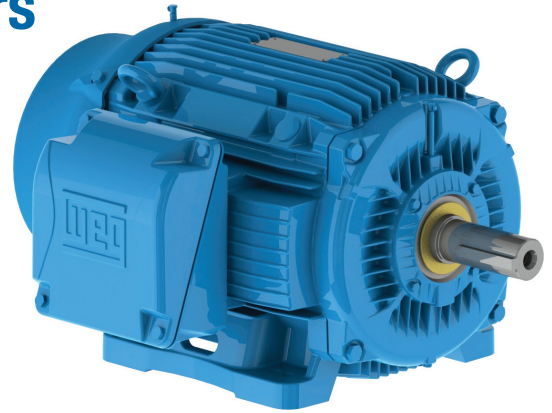
#### \*Inverter Rated:

**1000:1 for variable torque**

**20:1 for constant torque**

\* Frame 586/7 250HP and up 6:1 CT and 1000:1 VT

\* Insulated housing standard on L447/9T and above



### Features that make a difference:

- 1.25 Service Factor up to 100 HP
- InproSeal Bearing Isolators both ends
- Bearing protection meets IP56
- Rubber lead separator between terminal box and frame
- Vibration: 0.04 inches per second or less
- Guaranteed foot flatness to within 0.005"
- Bearing life 50,000 hours (L-10)
- Epoxy Paint system exceeds 250hrs Salt Fog test
- Interior surfaces are epoxy coated
- Non-sparking fan
- NPT Threaded terminal box
- Seamless copper lead lugs
- Seamless Stainless Steel grease extension tubes
- Automatic grease relief fittings
- IEEE 841 Test Report in conduit box
- Suitable for IEEE45 USCG 259 – Marine Duty





# Three-Phase General Purpose Motors

## IEEE841 - TEFC - Foot Mount

HP	kW	RPM	Frame	Catalog Number	List Price	Mult. Symbol	Approx. Shipping Weight (lbs)	Service Factor	FL Amps @ High	FL Eff (%)	"C" Dimension (in)	Voltage (V)	Notes
1	0.75	1800	143/5T	<a href="#">00118ST3QIE143T-W22</a>	\$922	I1	58	1.25	1.47	85.5	13.358	460	
		1800	143/5T	<a href="#">00118ST3HIE143T-W22</a>	\$922	I1	58	1.25	1.18	85.5	13.358	575	
		1200	143/5T	<a href="#">00112ST3QIE145T-W22</a>	\$1,062	I1	66	1.25	1.73	82.5	13.358	460	
		1200	143/5T	<a href="#">00112ST3HIE145T-W22</a>	\$1,062	I1	66	1.25	1.38	82.5	13.358	575	
		900	182/4T	<a href="#">00109ST3QIE182T-W22</a>	\$2,006	I1	97	1.25	2.30	78.5	15.860	460	
1.5	1.1	3600	143/5T	<a href="#">00156ST3QIE143T-W22</a>	\$981	I1	59	1.25	1.96	84.0	13.358	460	
		3600	143/5T	<a href="#">00156ST3HIE143T-W22</a>	\$981	I1	43	1.25	1.57	84.0	13.358	575	
		1800	143/5T	<a href="#">00158ST3QIE145T-W22</a>	\$981	I1	63	1.25	2.02	86.5	13.358	460	
		1800	143/5T	<a href="#">00158ST3HIE145T-W22</a>	\$981	I1	63	1.25	1.62	86.5	13.358	575	
		1200	182/4T	<a href="#">00152ST3QIE182T-W22</a>	\$1,286	I1	108	1.25	2.54	87.5	15.860	460	
		1200	182/4T	<a href="#">00152ST3HIE182T-W22</a>	\$1,286	I1	74	1.25	2.03	87.5	15.860	575	
		900	182/4T	<a href="#">00159ST3QIE184T-W22</a>	\$2,016	I1	112	1.25	2.70	82.5	15.860	460	
2	1.5	3600	143/5T	<a href="#">00236ST3QIE145T-W22</a>	\$1,023	I1	64	1.25	2.56	85.5	13.358	460	
		3600	143/5T	<a href="#">00236ST3HIE145T-W22</a>	\$1,023	I1	64	1.25	2.05	85.5	13.358	575	
		1800	143/5T	<a href="#">00218ST3QIE145T-W22</a>	\$1,023	I1	64	1.25	2.76	86.5	13.358	460	
		1800	143/5T	<a href="#">00218ST3HIE145T-W22</a>	\$1,023	I1	64	1.25	2.21	86.5	13.358	575	
		1200	182/4T	<a href="#">00212ST3QIE184T-W22</a>	\$1,363	I1	113	1.25	3.22	88.5	15.860	460	
		1200	182/4T	<a href="#">00212ST3HIE184T-W22</a>	\$1,363	I1	114	1.25	2.58	88.5	15.860	575	39
		900	213/5T	<a href="#">00209ST3QIE213T-W22</a>	\$2,701	I1	154	1.25	3.39	85.5	19.517	460	
		3600	182/4T	<a href="#">00336ST3QIE182T-W22</a>	\$1,267	I1	109	1.25	3.63	86.5	15.860	460	
3	2.2	3600	182/4T	<a href="#">00336ST3HIE182T-W22</a>	\$1,267	I1	108	1.25	2.90	86.5	15.860	575	
		1800	182/4T	<a href="#">00318ST3QIE182T-W22</a>	\$1,224	I1	106	1.25	3.91	89.5	15.860	460	
		1800	182/4T	<a href="#">00318ST3HIE182T-W22</a>	\$1,224	I1	104	1.25	3.13	89.5	15.860	575	
		1200	213/5T	<a href="#">00312ST3QIE213T-W22</a>	\$1,537	I1	173	1.25	4.41	89.5	19.517	460	
		1200	213/5T	<a href="#">00312ST3HIE213T-W22</a>	\$1,537	I1	173	1.25	3.53	89.5	19.517	575	
		900	213/5T	<a href="#">00309ST3QIE215T-W22</a>	\$2,883	I1	199	1.25	4.55	85.5	19.517	460	
		3600	182/4T	<a href="#">00536ST3QIE184T-W22</a>	\$1,429	I1	116	1.25	5.90	88.5	15.860	460	
5	3.7	3600	182/4T	<a href="#">00536ST3HIE184T-W22</a>	\$1,429	I1	116	1.25	4.72	88.5	15.860	575	
		1800	182/4T	<a href="#">00518ST3QIE184T-W22</a>	\$1,371	I1	115	1.25	6.45	89.5	15.860	460	
		1800	182/4T	<a href="#">00518ST3HIE184T-W22</a>	\$1,371	I1	115	1.25	5.16	89.5	15.860	575	
		1200	213/5T	<a href="#">00512ST3QIE215T-W22</a>	\$1,901	I1	191	1.25	6.83	89.5	19.517	460	
		1200	213/5T	<a href="#">00512ST3HIE215T-W22</a>	\$1,901	I1	191	1.25	5.46	89.5	19.517	575	
		900	254/6T	<a href="#">00509ST3QIE254T-W22</a>	\$4,243	I1	306	1.25	7.58	87.5	24.945	460	
		3600	213/5T	<a href="#">00736ST3QIE213T-W22</a>	\$1,751	I1	174	1.25	8.76	89.5	19.517	460	
7.5	5.5	3600	213/5T	<a href="#">00736ST3HIE213T-W22</a>	\$1,751	I1	173	1.25	7.01	89.5	19.517	575	
		1800	213/5T	<a href="#">00718ST3QIE213T-W22</a>	\$1,646	I1	185	1.25	9.18	91.7	19.517	460	
		1800	213/5T	<a href="#">00718ST3HIE213T-W22</a>	\$1,646	I1	185	1.25	7.34	91.7	19.517	575	
		1200	254/6T	<a href="#">00712ST3QIE254T-W22</a>	\$2,544	I1	322	1.25	9.48	91.0	24.945	460	
		1200	254/6T	<a href="#">00712ST3HIE254T-W22</a>	\$2,544	I1	299	1.25	7.58	91.0	24.945	575	
		900	254/6T	<a href="#">00709ST3QIE256T-W22</a>	\$5,040	I1	321	1.25	11.1	87.5	24.945	460	

continue on next page

# Three-Phase General Purpose Motors



## IEEE841 - TEFC - Foot Mount - *continued*

HP	kW	RPM	Frame	Catalog Number	List Price	Mult. Symbol	Approx. Shipping Weight (lbs)	Service Factor	FL Amps @ High	FL Eff (%)	"C" Dimension (in)	Voltage (V)	Notes
10	7.5	3600	213/5T	<a href="#">01036ST3QIE215T-W22</a>	\$1,920	I1	191	1.25	11.6	90.2	19.517	460	
		3600	213/5T	<a href="#">01036ST3HIE215T-W22</a>	\$1,920	I1	191	1.25	9.28	90.2	19.517	575	
		1800	213/5T	<a href="#">01018ST3QIE215T-W22</a>	\$1,760	I1	188	1.25	12.4	91.7	19.517	460	
		1800	213/5T	<a href="#">01018ST3HIE215T-W22</a>	\$1,760	I1	199	1.25	9.92	91.7	19.517	575	
		1200	254/6T	<a href="#">01012ST3QIE256T-W22</a>	\$2,834	I1	329	1.25	12.9	91.0	24.945	460	
		1200	254/6T	<a href="#">01012ST3HIE256T-W22</a>	\$2,834	I1	329	1.25	10.3	91.0	24.945	575	
		900	284/6T	<a href="#">01009ST3QIE284T-W22</a>	\$5,936	I1	380	1.25	13.4	90.2	27.929	460	
15	11	3600	254/6T	<a href="#">01536ST3QIE254T-W22</a>	\$2,428	I1	303	1.25	17.2	91.0	24.945	460	
		3600	254/6T	<a href="#">01536ST3HIE254T-W22</a>	\$2,428	I1	303	1.25	13.8	91.0	24.945	575	
		1800	254/6T	<a href="#">01518ST3QIE254T-W22</a>	\$2,257	I1	341	1.25	18.0	92.4	24.945	460	
		1800	254/6T	<a href="#">01518ST3HIE254T-W22</a>	\$2,257	I1	351	1.25	14.4	92.4	24.945	575	
		1200	284/6T	<a href="#">01512ST3QIE284T-W22</a>	\$4,203	I1	430	1.25	17.9	91.7	27.929	460	
		1200	284/6T	<a href="#">01512ST3HIE284T-W22</a>	\$4,203	I1	425	1.25	14.3	91.7	27.929	575	
		900	284/6T	<a href="#">01509ST3QIE286T-W22</a>	\$6,742	I1	437	1.25	19.4	90.2	27.929	460	
20	15	3600	254/6T	<a href="#">02036ST3QIE256T-W22</a>	\$2,957	I1	329	1.25	23.2	91.0	24.945	460	
		3600	254/6T	<a href="#">02036ST3HIE256T-W22</a>	\$2,957	I1	328	1.25	18.6	91.0	24.945	575	
		1800	254/6T	<a href="#">02018ST3QIE256T-W22</a>	\$2,597	I1	385	1.25	24.1	93.0	24.945	460	
		1800	254/6T	<a href="#">02018ST3HIE256T-W22</a>	\$2,597	I1	400	1.25	19.3	93.0	24.945	575	
		1200	284/6T	<a href="#">02012ST3QIE286T-W22</a>	\$4,773	I1	456	1.25	24.2	91.7	27.929	460	
		1200	284/6T	<a href="#">02012ST3HIE286T-W22</a>	\$4,773	I1	456	1.25	19.4	91.7	27.929	575	
		900	324/6T	<a href="#">02009ST3QIE324T-W22</a>	\$8,269	I1	551	1.25	28.3	91.0	31.116	460	
25	18.5	3600	284/6TS	<a href="#">02536ST3QIE284TS-W22</a>	\$3,368	I1	413	1.25	28.5	91.7	26.557	460	
		3600	284/6TS	<a href="#">02536ST3HIE284TS-W22</a>	\$3,368	I1	403	1.25	22.8	91.7	26.557	575	
		1800	284/6T	<a href="#">02518ST3QIE284T-W22</a>	\$2,926	I1	448	1.25	29.5	93.6	27.929	460	
		1800	284/6T	<a href="#">02518ST3HIE284T-W22</a>	\$2,926	I1	447	1.25	23.6	93.6	27.929	575	
		1200	324/6T	<a href="#">02512ST3QIE324T-W22</a>	\$5,211	I1	588	1.25	30.4	93.0	31.116	460	
		1200	324/6T	<a href="#">02512ST3HIE324T-W22</a>	\$5,211	I1	587	1.25	24.3	93.0	31.116	575	
		900	324/6T	<a href="#">02509ST3QIE326T-W22</a>	\$8,838	I1	596	1.25	35.9	91.0	31.116	460	
30	22	3600	284/6TS	<a href="#">03036ST3QIE286TS-W22</a>	\$3,799	I1	433	1.25	33.8	91.7	26.557	460	
		3600	284/6TS	<a href="#">03036ST3HIE286TS-W22</a>	\$3,799	I1	433	1.25	27.0	91.7	26.557	575	
		1800	284/6T	<a href="#">03018ST3QIE286T-W22</a>	\$3,509	I1	454	1.25	35.1	93.6	27.929	460	
		1800	284/6T	<a href="#">03018ST3HIE286T-W22</a>	\$3,509	I1	484	1.25	28.1	93.6	27.929	575	
		1200	324/6T	<a href="#">03012ST3QIE326T-W22</a>	\$5,359	I1	633	1.25	35.8	93.0	31.116	460	
		1200	324/6T	<a href="#">03012ST3HIE326T-W22</a>	\$5,359	I1	632	1.25	28.6	93.0	31.116	575	
		900	364/5T	<a href="#">03009ST3QIE364T-W22</a>	\$13,149	I1	900	1.25	37.0	92.4	34.251	460	
40	30	3600	324/6TS	<a href="#">04036ST3QIE324TS-W22</a>	\$5,306	I1	591	1.25	45.8	92.4	29.616	460	
		3600	324/6TS	<a href="#">04036ST3HIE324TS-W22</a>	\$5,306	I1	591	1.25	36.6	92.4	29.616	575	
		1800	324/6T	<a href="#">04018ST3QIE324T-W22</a>	\$4,692	I1	590	1.25	47.1	94.1	31.116	460	
		1800	324/6T	<a href="#">04018ST3HIE324T-W22</a>	\$4,692	I1	617	1.25	37.7	94.1	31.116	575	
		1200	364/5T	<a href="#">04012ST3QIE364T-W22</a>	\$8,636	I1	1007	1.25	46.5	94.1	34.251	460	
		1200	364/5T	<a href="#">04012ST3HIE364T-W22</a>	\$8,636	I1	1003	1.25	37.2	94.1	34.251	575	
		900	364/5T	<a href="#">04009ST3QIE365T-W22</a>	\$14,909	I1	955	1.25	50.3	92.4	34.251	460	

*continued on next page*



## IEEE841 - TEFC - Foot Mount - *continued*

HP	kW	RPM	Frame	Catalog Number	List Price	Mult. Symbol	Approx. Shipping Weight (lbs)	Service Factor	FL Amps @ High	FL. Eff (%)	"C" Dimension (in)	Voltage (V)	Notes
50	37	3600	324/6TS	<a href="#">05036ST3QIE326TS-W22</a>	\$5,970	I1	613	1.25	56.1	93.0	29.616	460	
		3600	324/6TS	<a href="#">05036ST3HIE326TS-W22</a>	\$5,970	I1	612	1.25	44.9	93.0	29.616	575	
		1800	324/6T	<a href="#">05018ST3QIE326T-W22</a>	\$5,233	I1	610	1.25	59.2	94.5	31.116	460	
		1800	324/6T	<a href="#">05018ST3HIE326T-W22</a>	\$5,233	I1	636	1.25	47.4	94.5	31.116	575	
		1200	364/5T	<a href="#">05012ST3QIE365T-W22</a>	\$9,369	I1	1022	1.25	57.4	94.1	34.251	460	
		1200	364/5T	<a href="#">05012ST3HIE365T-W22</a>	\$9,369	I1	1019	1.25	45.9	94.1	34.251	575	
		900	404/5T	<a href="#">05009ST3QIE404T-W22</a>	\$19,331	I1	1214	1.25	60.0	93.0	39.730	460	
60	45	3600	364/5TS	<a href="#">06036ST3QIE364TS-W22</a>	\$8,665	I1	965	1.25	67.0	93.6	32.338	460	
		3600	364/5TS	<a href="#">06036ST3HIE364TS-W22</a>	\$8,665	I1	963	1.25	53.6	93.6	32.338	575	
		1800	364/5T	<a href="#">06018ST3QIE364T-W22</a>	\$8,044	I1	957	1.25	68.3	95.0	34.251	460	
		1800	364/5T	<a href="#">06018ST3HIE364T-W22</a>	\$8,044	I1	1030	1.25	54.6	95.0	34.251	575	
		1200	404/5T	<a href="#">06012ST3QIE404T-W22</a>	\$11,790	I1	1253	1.25	69.5	94.5	39.730	460	
		1200	404/5T	<a href="#">06012ST3HIE404T-W22</a>	\$11,790	I1	1249	1.25	55.6	94.5	39.730	575	
		900	404/5T	<a href="#">06009ST3QIE405T-W22</a>	\$22,579	I1	1261	1.25	73.0	93.0	39.730	460	
75	55	3600	364/5TS	<a href="#">07536ST3QIE365TS-W22</a>	\$10,210	I1	1012	1.25	81.9	93.6	32.338	460	
		3600	364/5TS	<a href="#">07536ST3HIE365TS-W22</a>	\$10,210	I1	972	1.25	65.5	93.6	32.338	575	
		1800	364/5T	<a href="#">07518ST3QIE365T-W22</a>	\$9,289	I1	996	1.25	84.1	95.4	34.251	460	
		1800	364/5T	<a href="#">07518ST3HIE365T-W22</a>	\$9,289	I1	1045	1.25	67.3	95.4	34.251	575	
		1200	404/5T	<a href="#">07512ST3QIE405T-W22</a>	\$12,866	I1	1317	1.25	84.9	94.5	39.730	460	
		1200	404/5T	<a href="#">07512ST3QIERB405T-W2</a>	\$12,866	I1	1326	1.25	84.9	94.5	39.730	460	14
		1200	404/5T	<a href="#">07512ST3HIE405T-W22</a>	\$12,866	I1	1298	1.25	67.9	94.5	39.730	575	
100	75	900	444/5T	<a href="#">07509ST3QIE444T-W22</a>	\$23,457	I1	1666	1.25	93.0	93.6	44.950	460	
		3600	404/5TS	<a href="#">10036ST3QIE405TS-W22</a>	\$12,806	I1	1182	1.25	110	94.1	36.732	460	
		3600	404/5TS	<a href="#">10036ST3HIE405TS-W22</a>	\$12,806	I1	1191	1.25	88.0	94.1	36.732	575	
		1800	404/5T	<a href="#">10018ST3QIE405T-W22</a>	\$12,471	I1	1276	1.25	116	95.4	39.730	460	
		1800	404/5T	<a href="#">10018ST3QIERB405T-W2</a>	\$12,471	I1	1292	1.25	116	95.4	39.730	460	14
		1800	404/5T	<a href="#">10018ST3HIE405T-W22</a>	\$12,471	I1	1339	1.25	92.8	95.4	39.730	575	
		1800	404/5T	<a href="#">10018ST3HIERB405T-W2</a>	\$12,471	I1	1348	1.25	92.8	95.4	39.730	575	14
		1200	444/5T	<a href="#">10012ST3QIE444T-W22</a>	\$17,933	I1	1800	1.25	121	95.0	44.950	460	
		1200	444/5T	<a href="#">10012ST3QIERB444T-W2</a>	\$17,933	I1	1915	1.25	121	95.0	44.950	460	14
		1200	444/5T	<a href="#">10012ST3HIE444T-W22</a>	\$17,933	I1	1900	1.25	96.8	95.0	44.950	575	
125	90	900	444/5T	<a href="#">10009ST3QIE445T-W22</a>	\$24,681	I1	1944	1.25	127	94.1	44.950	460	
		900	444/5T	<a href="#">10009ST3QIERB445T-W2</a>	\$24,681	I1	1763	1.25	127	94.1	44.950	460	14
		3600	444/5TS	<a href="#">12536ST3QIE444TS-W22</a>	\$18,198	I1	1805	1.15	134	95.0	41.200	460	
		3600	444/5TS	<a href="#">12536ST3HIE444TS-W22</a>	\$18,198	I1	1796	1.15	107	95.0	41.200	575	
		1800	444/5T	<a href="#">12518ST3QIE444T-W22</a>	\$16,564	I1	1708	1.15	139	95.4	44.950	460	
		1800	444/5T	<a href="#">12518ST3QIERB444T-W2</a>	\$16,564	I1	1836	1.15	139	95.4	44.950	460	14
		1800	444/5T	<a href="#">12518ST3HIE444T-W22</a>	\$16,564	I1	1822	1.15	111	95.4	44.950	575	
		1200	444/5T	<a href="#">12512ST3QIE445T-W22</a>	\$20,158	I1	2016	1.15	143	95.0	44.950	460	
		1200	444/5T	<a href="#">12512ST3QIERB445T-W2</a>	\$20,158	I1	2028	1.15	143	95.0	44.950	460	14
		1200	444/5T	<a href="#">12512ST3HIE445T-W22</a>	\$20,158	I1	2013	1.15	114	95.0	44.950	575	
900	445/7T	<a href="#">12509ST3QIE447T-W22</a>	\$29,733	I1	2239	1.15	151	94.5	48.701	460			
900	445/7T	<a href="#">12509ST3QIERB447T-W2</a>	\$29,733	I1	2273	1.15	151	94.5	48.701	460	14		

*continued on next page*

# Three-Phase General Purpose Motors



## IEEE841 - TEFC - Foot Mount - *continued*

HP	kW	RPM	Frame	Catalog Number	List Price	Mult. Symbol	Approx. Shipping Weight (lbs)	Service Factor	FL Amps @ High	FL Eff (%)	"C" Dimension (in)	Voltage (V)	Notes
150	110	3600	444/5TS	<a href="#">15036ST3QIE445TS-W22</a>	\$21,433	I1	1900	1.15	161	95.0	41.200	460	
		3600	444/5TS	<a href="#">15036ST3HIE445TS-W22</a>	\$21,433	I1	1908	1.15	129	95.0	41.200	575	
		1800	444/5T	<a href="#">15018ST3QIE445T-W22</a>	\$18,587	I1	1910	1.15	170	95.8	44.950	460	
		1800	444/5T	<a href="#">15018ST3QIERB445T-W2</a>	\$18,587	I1	2041	1.15	170	95.8	44.950	460	14
		1800	444/5T	<a href="#">15018ST3HIE445T-W22</a>	\$18,587	I1	2027	1.15	136	95.8	44.950	575	
		1800	444/5T	<a href="#">15018ST3HIERB445T-W2</a>	\$18,587	I1	2038	1.15	136	95.8	44.950	575	14
		1200	445/7T	<a href="#">15012ST3QIE447T-W22</a>	\$23,181	I1	2511	1.15	176	95.8	48.701	460	
		1200	445/7T	<a href="#">15012ST3QIERB447T-W2</a>	\$23,181	I1	2543	1.15	176	95.8	48.701	460	14
		1200	445/7T	<a href="#">15012ST3HIE447T-W22</a>	\$23,181	I1	2531	1.15	141	95.8	48.701	575	
		900	445/7T	<a href="#">15009ST3QIE447T-W22</a>	\$34,755	I1	2409	1.15	185	94.5	48.701	460	
		900	445/7T	<a href="#">15009ST3QIERB447T-W2</a>	\$34,755	I1	2421	1.15	185	94.5	48.701	460	14
200	150	3600	445/7TS	<a href="#">20036ST3QIE447TS-W22</a>	\$28,568	I1	2240	1.15	219	95.4	44.951	460	
		3600	445/7TS	<a href="#">20036ST3HIE447TS-W22</a>	\$28,568	I1	2209	1.15	175	95.4	44.951	575	
		1800	445/7T	<a href="#">20018ST3QIE447T-W22</a>	\$23,696	I1	2320	1.15	230	96.2	48.701	460	
		1800	445/7T	<a href="#">20018ST3QIERB447T-W2</a>	\$23,696	I1	2520	1.15	230	96.2	48.701	460	14
		1800	445/7T	<a href="#">20018ST3HIE447T-W22</a>	\$23,696	I1	2502	1.15	184	96.2	48.701	575	
		1200	447/9T	<a href="#">20012ST3QIE449T-W22</a>	\$27,577	I1	2978	1.15	237	95.8	56.338	460	
		1200	447/9T	<a href="#">20012ST3QIERB449T-W2</a>	\$27,557	I1	3052	1.15	237	95.8	56.338	460	14
		1200	447/9T	<a href="#">20012ST3HIE449T-W22</a>	\$27,577	I1	3030	1.15	190	95.8	56.338	575	
		1200	447/9T	<a href="#">20012ST3HIERB449T-W2</a>	\$27,557	I1	3046	1.15	190	95.8	56.338	575	14
		900	L447/9T	<a href="#">20009ST3QIE449T-W22</a>	\$57,394	I1	3655	1.15	242	95.0	57.181	460	43
		900	L447/9T	<a href="#">20009ST3QIERB449T-W2</a>	\$57,394	I1	3669	1.15	242	95.0	57.181	460	14;43
900	L447/9T	<a href="#">20009ST3HIE449T-W22</a>	\$57,394	I1	3569	1.15	194	95.0	57.181	575	43		
250	185	3600	447/9TS	<a href="#">25036ST3QIE449TS-W22</a>	\$34,663	I1	2603	1.15	266	95.8	52.940	460	
		1800	447/9T	<a href="#">25018ST3QIE449T-W22</a>	\$30,081	I1	2904	1.15	281	96.2	56.338	460	
		1800	447/9T	<a href="#">25018ST3QIERB449T-W2</a>	\$30,081	I1	2869	1.15	281	96.2	56.338	460	14
		1200	447/9T	<a href="#">25012ST3QIE449T-W22</a>	\$39,415	I1	3190	1.15	292	95.8	56.338	460	
		1200	447/9T	<a href="#">25012ST3QIERB449T-W2</a>	\$39,415	I1	2702	1.15	292	95.8	56.338	460	14
300	220	1800	447/9T	<a href="#">30018ST3QIE449T-W22</a>	\$36,810	I1	3102	1.15	330	96.2	56.338	460	
		1800	447/9T	<a href="#">30018ST3QIERB449T-W2</a>	\$36,810	I1	3130	1.15	330	96.2	56.338	460	14
		1200	L447/9T	<a href="#">30012ST3QIE449T-W22</a>	\$44,648	I1	3645	1.15	351	95.8	57.181	460	43
		1200	L447/9T	<a href="#">30012ST3QIERB449T-W2</a>	\$44,648	I1	3571	1.15	351	95.8	57.181	460	14;43
350	260	1800	L447/9T	<a href="#">35018ST3QIE449T-W22</a>	\$44,105	I1	3580	1.15	394	96.2	57.181	460	43
		1800	L447/9T	<a href="#">35018ST3QIERB449T-W2</a>	\$44,105	I1	3580	1.15	394	96.2	57.181	460	14;43
		1200	L447/9T	<a href="#">35012ST3QIE449T-W22</a>	\$52,634	I1	3824	1.15	415	95.8	57.181	460	43, 37
		1200	L447/9T	<a href="#">35012ST3QIERB449T-W2</a>	\$52,634	I1	3756	1.15	415	95.8	57.181	460	14;43
400	300	1800	L447/9T	<a href="#">40018ST3QIE449T-W22</a>	\$48,396	I1	3467	1.15	455	96.2	57.181	460	43
		1800	L447/9T	<a href="#">40018ST3QIERB449T-W2</a>	\$48,396	I1	3467	1.15	455	96.2	57.181	460	14;43



# Three-Phase General Purpose Motors

## IEEE841 - TEFC - C-Face - Foot Mount

HP	kW	RPM	Frame	Catalog Number	List Price	Mult. Symbol	Approx. Shipping Weight (lbs)	Service Factor	FL Amps @ High	FL. Eff (%)	"C" Dimension (in)	Voltage (V)	Notes
1	0.75	1800	143/5TC	<a href="#">00118ST3QIE143TC-W22</a>	\$972	11	55	1.25	1.47	85.5	13.358	460	
		1200	143/5TC	<a href="#">00112ST3QIE145TC-W22</a>	\$1,112	11	63	1.25	1.73	82.5	13.358	460	
1.5	1.1	3600	143/5TC	<a href="#">00156ST3QIE143TC-W22</a>	\$1,031	11	57	1.25	1.96	84.0	13.358	460	
		1800	143/5TC	<a href="#">00158ST3QIE145TC-W22</a>	\$1,031	11	61	1.25	2.02	86.5	13.358	460	
		1200	182/4TC	<a href="#">00152ST3QIE182TC-W22</a>	\$1,351	11	112	1.25	2.54	87.5	15.860	460	
		900	182/4TC	<a href="#">00159ST3QIE184TC-W22</a>	\$2,081	11	116	1.25	2.70	82.5	15.860	460	
2	1.5	3600	143/5TC	<a href="#">00236ST3QIE145TC-W22</a>	\$1,073	11	62	1.25	2.56	85.5	13.358	460	
		1800	143/5TC	<a href="#">00218ST3QIE145TC-W22</a>	\$1,073	11	62	1.25	2.76	86.5	13.358	460	
		1200	182/4TC	<a href="#">00212ST3QIE184TC-W22</a>	\$1,428	11	117	1.25	3.22	88.5	15.860	460	39
		900	213/5TC	<a href="#">00209ST3QIE213TC-W22</a>	\$2,781	11	185	1.25	3.39	85.5	19.517	460	
3	2.2	3600	182/4TC	<a href="#">00336ST3QIE182TC-W22</a>	\$1,332	11	113	1.25	3.63	86.5	15.860	460	
		1800	182/4TC	<a href="#">00318ST3QIE182TC-W22</a>	\$1,289	11	109	1.25	3.91	89.5	15.860	460	
		1200	213/5TC	<a href="#">00312ST3QIE213TC-W22</a>	\$1,617	11	178	1.25	4.41	89.5	19.517	460	
		900	213/5TC	<a href="#">00309ST3QIE215TC-W22</a>	\$2,963	11	181	1.25	4.55	85.5	19.517	460	
5	3.7	3600	182/4TC	<a href="#">00536ST3QIE184TC-W22</a>	\$1,494	11	120	1.25	5.90	88.5	15.860	460	
		1800	182/4TC	<a href="#">00518ST3QIE184TC-W22</a>	\$1,436	11	119	1.25	6.45	89.5	15.860	460	
		1200	213/5TC	<a href="#">00512ST3QIE215TC-W22</a>	\$1,981	11	194	1.25	6.83	89.5	19.517	460	
		900	254/6TC	<a href="#">00509ST3QIE254TC-W22</a>	\$4,363	11	309	1.25	7.58	87.5	24.945	460	
7.5	5.5	3600	213/5TC	<a href="#">00736ST3QIE213TC-W22</a>	\$1,831	11	177	1.25	8.76	89.5	19.517	460	
		1800	213/5TC	<a href="#">00718ST3QIE213TC-W22</a>	\$1,726	11	189	1.25	9.18	91.7	19.517	460	
		1200	254/6TC	<a href="#">00712ST3QIE254TC-W22</a>	\$2,664	11	325	1.25	9.48	91.0	24.945	460	
		900	254/6TC	<a href="#">00709ST3QIE256TC-W22</a>	\$5,160	11	321	1.25	11.1	87.5	24.945	460	
10	7.5	3600	213/5TC	<a href="#">01036ST3QIE215TC-W22</a>	\$2,000	11	195	1.25	11.6	90.2	19.517	460	
		1800	213/5TC	<a href="#">01018ST3QIE215TC-W22</a>	\$1,840	11	203	1.25	12.4	91.7	19.517	460	
		1200	254/6TC	<a href="#">01012ST3QIE256TC-W22</a>	\$2,954	11	340	1.25	12.9	91.0	24.945	460	
		900	284/6TC	<a href="#">01009ST3QIE284TC-W22</a>	\$6,136	11	400	1.25	13.4	90.2	27.929	460	
15	11	3600	254/6TC	<a href="#">01536ST3QIE254TC-W22</a>	\$2,548	11	306	1.25	17.2	91.0	24.945	460	
		1800	254/6TC	<a href="#">01518ST3QIE254TC-W22</a>	\$2,377	11	355	1.25	18.0	92.4	24.945	460	
		1200	284/6TC	<a href="#">01512ST3QIE284TC-W22</a>	\$4,403	11	434	1.25	17.9	91.7	27.929	460	
		900	284/6TC	<a href="#">01509ST3QIE286TC-W22</a>	\$6,942	11	444	1.25	19.4	90.2	27.929	460	
20	15	3600	254/6TC	<a href="#">02036ST3QIE256TC-W22</a>	\$3,077	11	332	1.25	23.2	91.0	24.945	460	
		1800	254/6TC	<a href="#">02018ST3QIE256TC-W22</a>	\$2,717	11	404	1.25	24.1	93.0	24.945	460	
		1200	284/6TC	<a href="#">02012ST3QIE286TC-W22</a>	\$4,973	11	465	1.25	24.2	91.7	27.929	460	
		900	324/6TC	<a href="#">02009ST3QIE324TC-W22</a>	\$8,494	11	482	1.25	28.3	91.0	31.116	460	
25	18.5	3600	284/6TSC	<a href="#">02536ST3QIE284TSC-W2</a>	\$3,568	11	389	1.25	28.5	91.7	26.557	460	
		1800	284/6TC	<a href="#">02518ST3QIE284TC-W22</a>	\$3,126	11	456	1.25	29.5	93.6	27.929	460	
		1200	324/6TC	<a href="#">02512ST3QIE324TC-W22</a>	\$5,436	11	603	1.25	30.4	93.0	31.116	460	
		900	324/6TC	<a href="#">02509ST3QIE326TC-W22</a>	\$9,063	11	539	1.25	35.9	91.0	31.116	460	
30	22	3600	284/6TSC	<a href="#">03036ST3QIE286TSC-W2</a>	\$3,999	11	441	1.25	33.8	91.7	26.557	460	
		1800	284/6TC	<a href="#">03018ST3QIE286TC-W22</a>	\$3,709	11	493	1.25	35.1	93.6	27.929	460	
		1200	324/6TC	<a href="#">03012ST3QIE326TC-W22</a>	\$5,584	11	646	1.25	35.8	93.0	31.116	460	
		900	364/5TC	<a href="#">03009ST3QIE364TC-W22</a>	\$13,524	11	917	1.25	37.0	92.4	34.251	460	

continued on next page



## IEEE841 - TEFC - C-Face - Foot Mount - *continued*

HP	KW	RPM	Frame	Catalog Number	List Price	Mult. Symbol	Approx. Shipping Weight (lbs)	Service Factor	FL Amps @ High	FL. Eff (%)	"C" Dimension (in)	Voltage (V)	Notes
40	30	3600	324/6TSC	<a href="#">04036ST3QIE324TSC-W2</a>	\$5,531	I1	602	1.25	45.8	92.4	29.616	460	
		1800	324/6TC	<a href="#">04018ST3QIE324TC-W22</a>	\$4,917	I1	633	1.25	47.1	94.1	31.116	460	
		1200	364/5TC	<a href="#">04012ST3QIE364TC-W22</a>	\$9,011	I1	1032	1.25	46.5	94.1	34.251	460	
		900	364/5TC	<a href="#">04009ST3QIE365TC-W22</a>	\$15,284	I1	990	1.25	50.3	92.4	34.251	460	
50	37	3600	324/6TSC	<a href="#">05036ST3QIE326TSC-W2</a>	\$6,195	I1	627	1.25	56.1	93.0	29.616	460	
		1800	324/6TC	<a href="#">05018ST3QIE326TC-W22</a>	\$5,458	I1	651	1.25	59.2	94.5	31.116	460	
		1200	364/5TC	<a href="#">05012ST3QIE365TC-W22</a>	\$9,744	I1	983	1.25	57.4	94.1	34.251	460	
		900	404/5TC	<a href="#">05009ST3QIE404TC-W22</a>	\$19,856	I1	1132	1.25	60.0	93.0	39.730	460	
60	45	1200	404/5TC	<a href="#">06012ST3QIE404TC-W22</a>	\$12,315	I1	1156	1.25	69.5	94.5	39.730	460	



# Fractional Explosion Proof Motors



## Features:

- Class F insulation
- 1.0 service factor
- Foot mount motors with and without C-flange
- Class I, Division 1 – Group C & D and Class II, Division 1 – Group E, F & G – T3B
- Thermally Protected
- 24" long leads for remote wiring
- Aluminum endshields
- Not rated for VFD

## Features that make a difference:

- 50°C ambient temperature rating
- Three-Phase motors also rated for 50Hz
- Unassembled aluminum conduit box included

Please contact your authorized WEG distributor or go to [weg.net](http://weg.net) for further information or additional specifications. 1-800-451-4150





## THREE-PHASE

### Foot Mount

HP	kW	RPM	Frame	Catalog Number	List Price	Mult. Symbol	Approx. Shipping Weight (lbs)	Service Factor	FL Amps @ High	FL. Eff (%)	"C" Dimension (in)	Voltage (V)	Notes
0.33	0.25	3600	56	.3336XS1B56	\$612	XF	23	1.00	2.60	59.7	11.790	115/208-230	1;3;9;42
		1800	56	.3318XS1B56	\$670	XF	25	1.00	3.00	60.4	11.790	115/208-230	1;3;9;42
0.5	0.37	3600	56	.5036XS1B56	\$636	XF	26	1.00	3.40	66.7	12.040	115/208-230	1;3;9;42
		1800	56	.5018XS1B56	\$739	XF	27	1.00	4.20	62.4	12.290	115/208-230	1;3;9;42
0.75	0.55	3600	56	.7536XS1B56	\$717	XF	30	1.00	4.30	74.5	12.540	115/208-230	1;3;9;42
		1800	56	.7518XS1B56	\$868	XF	34	1.00	4.52	70.8	13.040	115/208-230	1;3;9;42
1	0.75	3600	56	00136XS1B56	\$774	XF	32	1.00	5.30	76.5	13.040	115/208-230	1;3;9;42
		1800	56	00118XS1B56	\$988	XF	37	1.00	6.30	74.8	13.790	115/208-230	1;3;9;42
1.5	1.1	3600	56	00156XS1C56	\$1,121	XF	38	1.00	7.80	80.0	14.040	208-230	1;3;9;42
		1800	56H	00158XS1C56H	\$1,324	XF	48	1.00	7.80	80.0	15.420	208-230	1;3;9;42
2	1.5	3600	56H	00236XS1C56H	\$1,408	XF	43	1.00	9.80	81.1	14.540	208-230	1;3;9;42



### C-Face - Foot Mount

HP	kW	RPM	Frame	Catalog Number	List Price	Mult. Symbol	Approx. Shipping Weight (lbs)	Service Factor	FL Amps @ High	FL. Eff (%)	"C" Dimension (in)	Voltage (V)	Notes
0.33	0.25	3600	56C	.3336XS1B56C	\$737	XF	23	1.00	2.60	59.7	11.790	115/208-230	1;3;9;42
		1800	56C	.3318XS1B56C	\$816	XF	25	1.00	3.00	60.4	11.790	115/208-230	1;3;9;42
0.5	0.37	3600	56C	.5036XS1B56C	\$717	XF	26	1.00	3.40	66.7	12.040	115/208-230	1;3;9;42
		1800	56C	.5018XS1B56C	\$817	XF	27	1.00	4.20	62.4	12.290	115/208-230	1;3;9;42
0.75	0.55	3600	56C	.7536XS1B56C	\$773	XF	30	1.00	4.30	74.5	12.540	115/208-230	1;3;9;42
		1800	56C	.7518XS1B56C	\$912	XF	34	1.00	4.52	70.8	13.040	115/208-230	1;3;9;42
1	0.75	3600	56C	00136XS1B56C	\$814	XF	32	1.00	5.30	76.5	13.040	115/208-230	1;3;9;42
		1800	56C	00118XS1B56C	\$1,036	XF	37	1.00	6.30	74.8	13.790	115/208-230	1;3;9;42
1.5	1.1	3600	56C	00156XS1C56C	\$1,274	XF	38	1.00	7.80	80.0	14.040	208-230	1;3;9;42
		1800	56HC	00158XS1C56HC	\$1,420	XF	48	1.00	7.80	80.0	15.420	208-230	1;3;9;42
2	1.5	3600	56HC	00236XS1C56HC	\$1,457	XF	43	1.00	9.80	81.1	14.540	208-230	1;3;9;42

Please refer to back cover for description of "NOTES"

For detailed specifications, data sheets, drawings and performance curves visit <http://www.weg.net>

Data subject to change without notice.

# Explosion Proof Motors

NEMA Premium® EFFICIENCY MOTORS

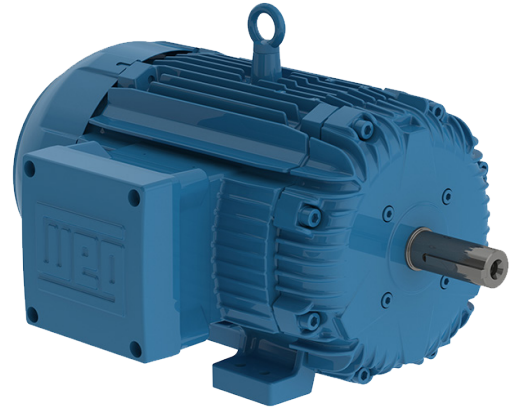
WEG Explosion Proof motors are suitable for applications requiring UL or CSA certification for hazardous locations.

## Standard Features:

- Class F insulation (Impregnation Resin and Magnet wire are class H)
- F1 Mounted
- Stainless Steel Nameplate - Laser etched with high contrast background
- Regreasable ball bearings (Frames 254T and up)
- CSA Approved - File LR50962
  - Class I, Division 1, Groups C & D Temperature Code T3C
  - Class II, Division 1, Groups F & G Temperature Code T3C
- UL Listed - File E87848
  - Class I, Division 1, Groups C & D
  - Class II, Division 1, Groups F & G<sup>1</sup>
  - Frame (143T-326T) Temperature Code T3C
  - Frame (364T and up) Temperature Code T3C

<sup>1</sup>) Class II UL only available as IP54 Modification.

Stock units are Class II only for cCSA<sub>US</sub>



## Features that make a difference:

- NPT threaded terminal box
- Non-sparking fan
- Thermostats
- IP55 rated enclosure
- VFD Service 20:1 CT; 1000:1 VT (cCSAus and excludes frames 449T & 586/7)

*CSA files are NRTL cCSAus listings*

## Inverter Rated:

**UL Listed - 143T - 215T only (File E87848)**

**CSA US - all frames (Certificate 1629892)**

## Constant Torque

20:1 for frames 143T to 447T - Class I & II

4:1 for frame 449T - Class I only

20:1 for frame 504/5 - Class I & II

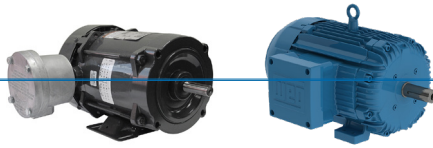
2:1 for frame 586/7 - Class I & II

## Variable Torque

1000:1 for all frames excluding 449T - Class I & II

1000:1 for 449T - Class I only





## THREE-PHASE Foot Mount

HP	kW	RPM	Frame	Catalog Number	List Price	Mult. Symbol	Approx. Shipping Weight (lbs)	Service Factor	FL Amps @ High	FL. Eff (%)	"C" Dimension (in)	Voltage (V)	Notes
0.33	0.25	3600	56	.3336XS3E56	\$650	XF	21	1.00	0.60	69.8	10.520	208-230/460	1;3;9;42
		1800	56	.3318XS3E56	\$713	XF	23	1.00	0.60	76.7	10.520	208-230/460	1;3;9;17;42
0.5	0.37	3600	56	.5036XS3E56	\$782	XF	24	1.00	0.90	73.1	11.790	208-230/460	1;3;9;42
		1800	56	.5018XS3E56	\$741	XF	27	1.00	0.85	79.1	11.920	208-230/460	1;3;9;42
0.75	0.55	3600	56	.7536XS3E56	\$815	XF	25	1.00	1.20	77.1	11.790	208-230/460	1;3;9;42
		1800	56	.7518XS3E56	\$817	XF	28	1.00	1.40	78.6	12.290	208-230/460	1;3;9;42
1	0.75	3600	56	00136XT3E56	\$858	XF	27	1.00	1.60	77.0	11.920	230/460	1;3;9;42
		3600	143/5T	00136XT3E143/5T	\$886	XT	64	1.15	1.41	81.5	13.752	230/460	
		1800	56	00118XT3E56	\$922	XF	31	1.00	1.60	85.5	13.660	230/460	1;3;9;42
		1800	143/5T	00118XT3E143/5T	\$901	XT	62	1.15	1.43	85.5	13.752	230/460	
		1800	143/5T	00118XT3H143/5T	\$901	XT	62	1.15	1.14	85.5	13.752	575	
		1200	145T	00112XT3E145T	\$988	XT	71	1.15	1.54	82.5	13.752	230/460	
		1200	145T	00112XT3H145T	\$988	XT	71	1.15	1.23	82.5	13.752	575	
		900	182/4T	00109XT3E182T	\$1,974	XT	120	1.15	2.30	78.5	15.862	230/460	
1.5	1.1	3600	56	00156XT3E56	\$1,050	XF	30	1.00	2.10	84.0	12.780	230/460	1;3;9;42
		3600	143/5T	00156XT3E143/5T	\$916	XT	65	1.15	2.05	84.0	13.752	230/460	
		3600	143/5T	00156XT3H143/5T	\$916	XT	64	1.15	1.64	84.0	13.752	575	
		1800	56H	00158XT3E56H	\$1,003	XF	41	1.00	2.10	86.5	14.540	230/460	1;3;9;42
		1800	145T	00158XT3E145T	\$963	XT	70	1.15	2.05	86.5	13.752	230/460	
		1800	145T	00158XT3H145T	\$963	XT	69	1.15	1.64	86.5	13.752	575	
		1200	182/4T	00152XT3E182T	\$1,105	XT	121	1.15	2.32	87.5	15.862	230/460	
		1200	182/4T	00152XT3H182T	\$1,105	XT	119	1.15	1.86	87.5	15.862	575	
		900	184T	00159XT3E184T	\$1,901	XT	136	1.15	2.70	82.5	15.862	230/460	
2	1.5	3600	56H	00236XT3E56H	\$1,171	XF	35	1.00	2.70	85.5	14.040	230/460	1;3;9;42
		3600	145T	00236XT3E145T	\$935	XT	72	1.15	2.69	85.5	13.752	230/460	
		3600	145T	00236XT3H145T	\$935	XT	72	1.15	2.15	85.5	13.752	575	
		1800	56H	00218XT3E56H	\$1,090	XF	48	1.00	2.70	86.5	15.040	230/460	1;3;9;42
		1800	145T	00218XT3E145T	\$995	XT	70	1.15	2.72	86.5	13.752	230/460	
		1800	145T	00218XT3H145T	\$995	XT	70	1.15	2.18	86.5	13.752	575	
		1200	184T	00212XT3E184T	\$1,158	XT	137	1.15	3.13	88.5	15.862	230/460	
		1200	184T	00212XT3H184T	\$1,158	XT	137	1.15	2.50	88.5	15.862	575	
		900	213/5T	00209XT3E213/5T	\$2,439	XT	174	1.15	3.45	84.0	19.450	230/460	39
3	2.2	3600	182/4T	00336XT3E182T	\$1,192	XT	120	1.15	3.76	86.5	15.862	230/460	
		3600	182/4T	00336XT3H182T	\$1,192	XT	120	1.15	3.01	86.5	15.862	575	
		1800	182/4T	00318XT3E182T	\$1,208	XT	120	1.15	3.91	89.5	15.862	230/460	
		1800	182/4T	00318XT3H182T	\$1,208	XT	120	1.15	3.13	89.5	15.862	575	
		1200	213/5T	00312XT3E213/5T	\$1,792	XT	187	1.15	4.41	89.5	19.450	230/460	
		1200	213/5T	00312XT3H213/5T	\$1,792	XT	187	1.15	3.53	89.5	19.450	575	
		900	215T	00309XT3E215T	\$2,805	XT	205	1.15	4.36	85.5	19.450	230/460	39
5	3.7	3600	184T	00536XT3E184T	\$1,255	XT	135	1.15	6.10	88.5	15.862	230/460	39
		3600	184T	00536XT3H184T	\$1,255	XT	135	1.15	4.88	88.5	15.862	575	39
		1800	184T	00518XT3E184T	\$1,220	XT	127	1.15	6.57	89.5	15.862	230/460	39
		1800	184T	00518XT3H184T	\$1,220	XT	137	1.15	5.26	89.5	15.862	575	39
		1200	215T	00512XT3E215T	\$1,899	XT	213	1.15	6.83	89.5	19.450	230/460	
		1200	215T	00512XT3H215T	\$1,899	XT	213	1.15	5.46	89.5	19.450	575	
		900	254T	00509XT3E254T	\$3,953	XT	344	1.15	7.93	87.5	23.175	230/460	

continued on next page

Please refer to back cover for description of "NOTES"

For detailed specifications, data sheets, drawings and performance curves visit <http://www.weg.net>

Data subject to change without notice.

**Foot Mount - continued**

HP	kW	RPM	Frame	Catalog Number	List Price	Mult. Symbol	Approx. Shipping Weight (lbs)	Service Factor	FL Amps @ High	FL. Eff (%)	"C" Dimension (in)	Voltage (V)	Notes
7.5	5.5	3600	213/5T	<a href="#">00736XT3E213/5T</a>	<b>\$1,646</b>	XT	182	1.15	8.57	89.5	19.450	230/460	
		3600	213/5T	<a href="#">00736XT3H213/5T</a>	<b>\$1,646</b>	XT	182	1.15	6.86	89.5	19.450	575	
		1800	213/5T	<a href="#">00718XT3E213/5T</a>	<b>\$1,897</b>	XT	178	1.15	9.41	91.7	19.450	230/460	
		1800	213/5T	<a href="#">00718XT3H213/5T</a>	<b>\$1,897</b>	XT	177	1.15	7.53	91.7	19.450	575	
		1200	254T	<a href="#">00712XT3E254T</a>	<b>\$2,483</b>	XT	344	1.15	9.73	91.0	23.175	230/460	
		1200	254T	<a href="#">00712XT3H254T</a>	<b>\$2,483</b>	XT	344	1.15	7.78	91.0	23.175	575	
		900	256T	<a href="#">00709XT3E256T</a>	<b>\$4,707</b>	XT	388	1.15	11.6	87.5	24.923	230/460	39
10	7.5	3600	215T	<a href="#">01036XT3E215T</a>	<b>\$1,727</b>	XT	207	1.15	11.6	90.2	19.450	230/460	
		3600	215T	<a href="#">01036XT3H215T</a>	<b>\$1,727</b>	XT	206	1.15	9.28	90.2	19.450	575	
		1800	L215T	<a href="#">01018XT3E215T</a>	<b>\$1,997</b>	XT	149	1.15	12.7	91.7	20.631	230/460	
		1800	L215T	<a href="#">01018XT3H215T</a>	<b>\$1,997</b>	XT	213	1.15	10.2	91.7	20.631	575	
		1200	256T	<a href="#">01012XT3E256T</a>	<b>\$2,900</b>	XT	387	1.15	13.3	91.0	24.923	230/460	
		1200	256T	<a href="#">01012XT3H256T</a>	<b>\$2,900</b>	XT	387	1.15	10.6	91.0	24.923	575	39
		900	284T	<a href="#">01009XT3E284T</a>	<b>\$5,668</b>	XT	496	1.15	13.3	91.0	26.407	230/460	
15	11	3600	254T	<a href="#">01536XT3E254T</a>	<b>\$2,387</b>	XT	343	1.15	17.4	91.0	23.175	230/460	
		3600	254T	<a href="#">01536XT3H254T</a>	<b>\$2,387</b>	XT	342	1.15	13.9	91.0	23.175	575	
		1800	254T	<a href="#">01518XT3E254T</a>	<b>\$2,653</b>	XT	348	1.15	18.4	92.4	23.175	230/460	
		1800	254T	<a href="#">01518XT3H254T</a>	<b>\$2,653</b>	XT	302	1.15	14.7	92.4	23.175	575	
		1200	284T	<a href="#">01512XT3E284T</a>	<b>\$4,048</b>	XT	498	1.15	17.5	91.7	26.407	230/460	
		1200	284T	<a href="#">01512XT3H284T</a>	<b>\$4,048</b>	XT	497	1.15	14.0	91.7	26.407	575	
		900	286T	<a href="#">01509XT3E286T</a>	<b>\$7,102</b>	XT	536	1.15	19.0	91.0	27.905	230/460	
20	15	3600	256T	<a href="#">02036XT3E256T</a>	<b>\$3,083</b>	XT	380	1.15	23.2	91.0	24.923	230/460	
		3600	256T	<a href="#">02036XT3H256T</a>	<b>\$3,083</b>	XT	379	1.15	18.6	91.0	24.923	575	
		1800	256T	<a href="#">02018XT3E256T</a>	<b>\$3,008</b>	XT	391	1.15	25.0	93.0	24.923	230/460	
		1800	256T	<a href="#">02018XT3H256T</a>	<b>\$3,008</b>	XT	392	1.15	20.0	93.0	24.923	575	
		1200	286T	<a href="#">02012XT3E286T</a>	<b>\$4,444</b>	XT	537	1.15	24.2	91.7	27.905	230/460	
		1200	286T	<a href="#">02012XT3H286T</a>	<b>\$4,444</b>	XT	536	1.15	19.4	91.7	27.905	575	
		900	324T	<a href="#">02009XT3E324T</a>	<b>\$8,390</b>	XT	654	1.15	27.5	92.4	29.602	230/460	
25	18.5	3600	284TS	<a href="#">02536XT3E284TS</a>	<b>\$4,188</b>	XT	493	1.15	28.6	92.4	25.033	230/460	
		3600	284TS	<a href="#">02536XT3H284TS</a>	<b>\$4,188</b>	XT	493	1.15	22.9	92.4	25.033	575	
		1800	284T	<a href="#">02518XT3E284T</a>	<b>\$3,886</b>	XT	486	1.15	29.9	93.6	26.407	230/460	
		1800	284T	<a href="#">02518XT3H284T</a>	<b>\$3,886</b>	XT	506	1.15	23.9	93.6	26.407	575	
		1200	324T	<a href="#">02512XT3E324T</a>	<b>\$5,375</b>	XT	686	1.15	30.4	93.0	29.602	230/460	
		1200	324T	<a href="#">02512XT3H324T</a>	<b>\$5,375</b>	XT	665	1.15	24.3	93.0	29.602	575	
		900	326T	<a href="#">02509XT3E326T</a>	<b>\$10,512</b>	XT	713	1.15	35.4	92.4	31.106	230/460	
30	22	3600	286TS	<a href="#">03036XT3E286TS</a>	<b>\$4,262</b>	XT	544	1.15	33.7	93.0	26.531	230/460	
		3600	286TS	<a href="#">03036XT3H286TS</a>	<b>\$4,262</b>	XT	543	1.15	27.0	93.0	26.531	575	
		1800	286T	<a href="#">03018XT3E286T</a>	<b>\$4,296</b>	XT	650	1.15	36.0	93.6	27.905	230/460	
		1800	286T	<a href="#">03018XT3H286T</a>	<b>\$4,296</b>	XT	546	1.15	28.8	93.6	27.905	575	
		1200	326T	<a href="#">03012XT3E326T</a>	<b>\$6,196</b>	XT	747	1.15	36.7	93.0	31.106	230/460	39
		1200	326T	<a href="#">03012XT3H326T</a>	<b>\$6,196</b>	XT	734	1.15	29.4	93.0	31.106	575	
		900	364/5T	<a href="#">03009XT3E364T</a>	<b>\$15,071</b>	XT	1010	1.15	38.5	93.0	33.701	230/460	

*continued on next page*

THREE-PHASE

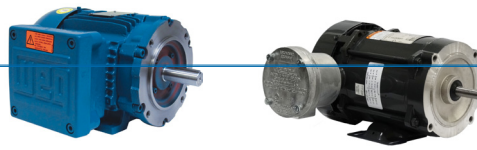
Foot Mount - *continued*

HP	kW	RPM	Frame	Catalog Number	List Price	Mult. Symbol	Approx. Shipping Weight (lbs)	Service Factor	FL Amps @ High	FL Eff (%)	"C" Dimension (in)	Voltage (V)	Notes
40	30	3600	324TS	<a href="#">04036XT3E324TS</a>	\$5,583	XT	669	1.15	45.8	93.6	28.102	230/460	
		3600	324TS	<a href="#">04036XT3H324TS</a>	\$5,583	XT	669	1.15	36.6	93.6	28.102	575	
		1800	324T	<a href="#">04018XT3E324T</a>	\$5,380	XT	690	1.15	48.2	94.1	29.602	230/460	
		1800	324T	<a href="#">04018XT3H324T</a>	\$5,380	XT	693	1.15	38.6	94.1	29.602	575	
		1200	364/5T	<a href="#">04012XT3E364T</a>	\$10,576	XT	1091	1.15	47.1	94.1	33.701	230/460	
		1200	364/5T	<a href="#">04012XT3H364T</a>	\$10,576	XT	1084	1.15	37.7	94.1	33.701	575	
		900	364/5T	<a href="#">04009XT3E365T</a>	\$15,505	XT	1110	1.15	52.2	93.6	33.701	230/460	
50	37	3600	326TS	<a href="#">05036XT3E326TS</a>	\$6,582	XT	731	1.15	55.5	94.1	29.606	230/460	
		3600	326TS	<a href="#">05036XT3H326TS</a>	\$6,582	XT	723	1.15	44.4	94.1	29.606	575	
		1800	326T	<a href="#">05018XT3E326T</a>	\$6,545	XT	702	1.15	60.6	94.5	31.106	230/460	
		1800	326T	<a href="#">05018XT3H326T</a>	\$6,545	XT	732	1.15	48.5	94.5	31.106	575	
		1200	364/5T	<a href="#">05012XT3E365T</a>	\$10,597	XT	1124	1.15	58.1	94.1	33.701	230/460	39
		1200	364/5T	<a href="#">05012XT3H365T</a>	\$10,597	XT	1113	1.15	46.5	94.1	33.701	575	
		900	404/5T	<a href="#">05009XT3E404T</a>	\$22,443	XT	1338	1.15	68.0	93.6	38.074	230/460	
60	45	3600	364/5TS	<a href="#">06036XT3E364TS</a>	\$9,988	XT	1109	1.15	68.2	94.1	31.575	230/460	
		3600	364/5TS	<a href="#">06036XT3H364TS</a>	\$9,988	XT	1114	1.15	54.6	94.1	31.575	575	
		1800	364/5T	<a href="#">06018XT3E364T</a>	\$10,460	XT	1146	1.15	68.3	95.0	33.701	230/460	
		1800	364/5T	<a href="#">06018XT3H364T</a>	\$10,460	XT	1112	1.15	54.6	95.0	33.701	575	
		1200	404/5T	<a href="#">06012XT3E404T</a>	\$13,196	XT	1279	1.15	70.3	94.5	38.074	230/460	39
		1200	404/5T	<a href="#">06012XT3H404T</a>	\$13,196	XT	1222	1.15	56.2	94.5	38.074	575	
		900	404/5T	<a href="#">06009XT3E405T</a>	\$26,900	XT	1336	1.15	75.9	93.0	38.074	230/460	
75	55	3600	364/5TS	<a href="#">07536XT3E365TS</a>	\$11,285	XT	1110	1.15	82.4	94.1	31.575	230/460	
		3600	364/5TS	<a href="#">07536XT3H365TS</a>	\$11,285	XT	1033	1.15	65.9	94.1	31.575	575	
		1800	364/5T	<a href="#">07518XT3E365T</a>	\$11,125	XT	1146	1.15	83.2	95.4	33.701	230/460	
		1800	364/5T	<a href="#">07518XT3H365T</a>	\$11,125	XT	1133	1.15	66.6	95.4	33.701	575	
		1200	404/5T	<a href="#">07512XT3E405T</a>	\$13,836	XT	1330	1.15	87.0	94.5	38.074	230/460	
		900	444/5T	<a href="#">07509XT3E444T</a>	\$29,094	XT	2077	1.15	92.2	93.6	43.797	230/460	
100	75	3600	404/5TS	<a href="#">10036XT3E405TS</a>	\$12,999	XT	1290	1.15	110	95.0	35.074	230/460	
		3600	404/5TS	<a href="#">10036XT3G405TS</a>	\$12,999	XT	1214	1.15	110	95.0	35.074	460	
		3600	404/5TS	<a href="#">10036XT3H405TS</a>	\$12,999	XT	1296	1.15	88.1	95.0	35.074	575	39
		1800	404/5T	<a href="#">10018XT3E405T</a>	\$14,206	XT	1317	1.15	113	95.4	38.074	230/460	
		1800	404/5T	<a href="#">10018XT3G405T</a>	\$14,206	XT	1313	1.15	113	95.4	38.074	460	
		1800	404/5T	<a href="#">10018XT3H405T</a>	\$14,206	XT	1322	1.15	90.4	95.4	38.074	575	
		1200	444/5T	<a href="#">10012XT3E444T</a>	\$21,032	XT	2268	1.15	121	95.0	43.797	230/460	
		1200	444/5T	<a href="#">10012XT3G444T</a>	\$21,032	XT	2233	1.15	121	95.0	43.797	460	
		900	444/5T	<a href="#">10009XT3E445T</a>	\$31,191	XT	2225	1.15	125	94.1	43.797	230/460	
125	90	3600	444/5TS	<a href="#">12536XT3G444TS</a>	\$20,874	XT	2173	1.15	132	95.0	40.047	460	
		1800	444/5T	<a href="#">12518XT3E444T</a>	\$19,961	XT	2214	1.15	142	95.4	43.797	230/460	
		1800	444/5T	<a href="#">12518XT3G444T</a>	\$19,961	XT	2208	1.15	142	95.4	43.797	460	
		1200	444/5T	<a href="#">12512XT3G445T</a>	\$21,537	XT	2428	1.15	150	95.0	43.797	460	

*continued on next page*

**Foot Mount - continued**

HP	kW	RPM	Frame	Catalog Number	List Price	Mult. Symbol	Approx. Shipping Weight (lbs)	Service Factor	FL Amps @ High	FL. Eff (%)	"C" Dimension (in)	Voltage (V)	Notes
150	110	3600	444/5TS	<a href="#">15036XT3G445TS</a>	<b>\$21,320</b>	XT	2345	1.15	161	95.4	40.047	460	39
		1800	444/5T	<a href="#">15018XT3E445T</a>	<b>\$21,557</b>	XT	2364	1.15	170	95.8	43.797	230/460	
		1800	444/5T	<a href="#">15018XT3G445T</a>	<b>\$21,557</b>	XT	2358	1.15	170	95.8	43.797	460	
		1800	444/5T	<a href="#">15018XT3H445T</a>	<b>\$21,557</b>	XT	2353	1.15	136	95.8	43.797	575	39
		1200	447T	<a href="#">15012XT3G447T</a>	<b>\$32,370</b>	XT	2828	1.15	174	95.8	47.339	460	
		1200	504/5T	<a href="#">15012XT3G504</a>	<b>\$32,370</b>	XT	2869	1.15	174	95.8	49.445	460	43
200	150	3600	447TS	<a href="#">20036XT3G447TS</a>	<b>\$29,446</b>	XT	2656	1.15	221	95.8	43.589	460	
		1800	447T	<a href="#">20018XT3G447T</a>	<b>\$29,397</b>	XT	2585	1.15	230	96.2	47.339	460	
		1800	504/5T	<a href="#">20018XT3G504</a>	<b>\$29,397</b>	XT	2534	1.15	230	96.2	49.445	460	37;43
		1200	447T	<a href="#">20012XT3G447T</a>	<b>\$33,613</b>	XT	2848	1.15	249	95.8	47.339	460	
250	185	3600	447TS	<a href="#">25036XT3G447TS</a>	<b>\$31,124</b>	XT	2774	1.15	269	95.8	43.589	460	
		1800	447T	<a href="#">25018XT3G447T</a>	<b>\$32,866</b>	XT	2853	1.15	284	96.2	47.339	460	
		1800	447T	<a href="#">25018XT3H447T</a>	<b>\$32,866</b>	XT	2742	1.15	227	96.2	47.339	575	
		1200	449T	<a href="#">25012XT3G449T</a>	<b>\$48,048</b>	XT	3352	1.15	299	95.8	54.996	460	
300	220	3600	449TS	<a href="#">30036XT3G449TS</a>	<b>\$48,747</b>	XT	3185	1.15	320	95.8	51.246	460	37
		1800	449T	<a href="#">30018XT3G449T</a>	<b>\$42,566</b>	XT	3280	1.15	334	96.2	54.996	460	37
		1200	449T	<a href="#">30012XT3G449T</a>	<b>\$52,790</b>	XT	3361	1.15	351	95.8	54.996	460	
350	260	3600	449TS	<a href="#">35036XT3G449TS</a>	<b>\$65,868</b>	XT	3802	1.15	379	95.8	51.246	460	
		1800	449T	<a href="#">35018XT3G449T</a>	<b>\$53,222</b>	XT	3476	1.15	390	96.2	54.996	460	37;39
		1200	586/7	<a href="#">35012XT3G586/7</a>	<b>\$71,652</b>	XT	4655	1.15	421	95.8	61.389	460	39;43
400	300	1800	586/7	<a href="#">40018XT3G586/7</a>	<b>\$61,096</b>	XT	4345	1.15	460	96.2	61.389	460	43
		1200	586/7	<a href="#">40012XT3G586/7</a>	<b>\$75,473</b>	XT	5267	1.15	479	95.8	61.389	460	43
450	330	1800	586/7	<a href="#">45018XT3G586/7</a>	<b>\$65,201</b>	XT	4747	1.15	501	96.2	61.389	460	19;39;43
500	370	1800	586/7	<a href="#">50018XT3G586/7</a>	<b>\$70,086</b>	XT	5063	1.00	568	96.2	61.389	460	1;19;43



## THREE-PHASE

### C-Face - Foot Mount

HP	kW	RPM	Frame	Catalog Number	List Price	Mult. Symbol	Approx. Shipping Weight (lbs)	Service Factor	FL Amps @ High	FL. Eff (%)	"C" Dimension (in)	Voltage (V)	Notes
0.33	0.25	3600	56C	.3336XS3E56C	\$821	XF	21	1.00	0.60	69.8	10.520	208-230/460	1;3;9;42
		1800	56C	.3318XS3E56C	\$877	XF	23	1.00	0.60	76.7	10.520	208-230/460	1;3;9;17;42
0.5	0.37	3600	56C	.5036XS3E56C	\$856	XF	24	1.00	0.90	73.1	11.790	208-230/460	1;3;9;42
		1800	56C	.5018XS3E56C	\$926	XF	27	1.00	0.85	79.1	11.920	208-230/460	1;3;9;42
0.75	0.55	3600	56C	.7536XS3E56C	\$884	XF	25	1.00	1.20	77.1	11.790	208-230/460	1;3;9;42
		1800	56C	.7518XS3E56C	\$944	XF	28	1.00	1.40	78.6	12.290	208-230/460	1;3;9;42
1	0.75	3600	56C	00136XT3E56C	\$924	XF	27	1.00	1.60	77.0	11.920	230/460	1;3;9;42
		1800	56C	00118XT3E56C	\$1,007	XF	31	1.00	1.60	82.2	13.660	230/460	1;3;9;42
		1800	143TC	00118XT3E143TC	\$1,054	XT	71	1.15	1.43	85.5	12.760	230/460	
		1200	143/5TC	00112XT3E145TC	\$1,107	XT	80	1.15	1.54	82.5	13.752	230/460	
1.5	1.1	3600	56C	00156XT3E56C	\$1,038	XF	30	1.00	2.10	84.0	12.780	230/460	1;3;9;42
		3600	143/5TC	00156XT3E143TC	\$1,069	XT	73	1.15	2.05	84.0	13.752	230/460	
		1800	56HC	00158XT3E56HC	\$1,011	XF	41	1.00	2.10	86.5	14.540	230/460	1;3;9;42
		1800	143/5TC	00158XT3E145TC	\$1,116	XT	79	1.15	2.05	86.5	13.752	230/460	
		1800	143/5TC	00158XT3H145TC	\$1,024	XT	75	1.15	1.64	86.5	13.752	575	
		1200	182/4TC	00152XT3E182TC	\$1,270	XT	123	1.15	2.32	87.5	15.862	230/460	
2	1.5	3600	56HC	00236XT3E56HC	\$1,125	XF	35	1.00	2.70	85.5	14.040	230/460	1;3;9;42
		3600	143/5TC	00236XT3E145TC	\$1,045	XT	81	1.15	2.69	85.5	13.752	230/460	39
		1800	56HC	00218XT3E56HC	\$1,162	XF	48	1.00	2.70	86.5	15.040	230/460	1;3;9;42
		1800	143/5TC	00218XT3E145TC	\$1,148	XT	79	1.15	2.72	86.5	13.752	230/460	
		1800	143/5TC	00218XT3H145TC	\$1,148	XT	78	1.15	2.18	86.5	13.752	575	
		1200	1824TC	00212XT3E184TC	\$1,323	XT	140	1.15	3.13	88.5	15.862	230/460	
3	2.2	3600	182/4TC	00336XT3E182TC	\$1,262	XT	122	1.15	3.76	86.5	15.862	230/460	39
		1800	182/4TC	00318XT3E182TC	\$1,373	XT	122	1.15	3.91	89.5	15.862	230/460	
		1800	182/4TC	00318XT3H182TC	\$1,373	XT	122	1.15	3.13	89.5	15.862	575	
		1200	213/5TC	00312XT3E213TC	\$1,868	XT	195	1.15	4.41	89.5	19.450	230/460	39
5	3.7	3600	182/4TC	00536XT3E184TC	\$1,325	XT	137	1.15	6.10	88.5	15.862	230/460	39
		3600	182/4TC	00536XT3H184TC	\$1,325	XT	137	1.15	4.88	88.5	15.862	575	39
		1800	182/4TC	00518XT3E184TC	\$1,385	XT	139	1.15	6.57	89.5	15.862	230/460	39
		1800	182/4TC	00518XT3H184TC	\$1,385	XT	139	1.15	5.26	89.5	15.862	575	39
		1200	213/5TC	00512XT3E215TC	\$1,975	XT	221	1.15	6.83	89.5	19.450	230/460	
7.5	5.5	3600	213/5TC	00736XT3E213TC	\$1,722	XT	190	1.15	8.57	89.5	19.450	230/460	
		1800	213/5TC	00718XT3E213TC	\$2,080	XT	186	1.15	9.41	91.7	19.450	230/460	
		1800	213/5TC	00718XT3H213TC	\$2,080	XT	185	1.15	7.53	91.7	19.450	575	
10	7.5	3600	213/5TC	01036XT3E215TC	\$1,803	XT	215	1.15	11.6	90.2	19.450	230/460	
		3600	213/5TC	01036XT3H215TC	\$1,803	XT	214	1.15	9.28	90.2	19.450	575	
		1800	L215TC	01018XT3E215TC	\$2,180	XT	215	1.15	12.7	91.7	20.631	230/460	
		1800	L215TC	01018XT3H215TC	\$2,180	XT	221	1.15	10.2	91.7	20.631	575	
15	11	3600	254TC	01536XT3E254TC	\$2,490	XT	346	1.15	17.4	91.0	23.175	230/460	
		1800	254TC	01518XT3E254TC	\$2,976	XT	306	1.15	18.4	92.4	23.175	230/460	
		1800	254TC	01518XT3H254TC	\$2,976	XT	305	1.15	14.7	92.4	23.175	575	
20	15	1800	256TC	02018XT3E256TC	\$3,331	XT	395	1.15	25.0	93.0	24.923	230/460	
		1800	256TC	02018XT3H256TC	\$3,111	XT	394	1.15	20.0	93.0	24.923	575	
25	18.5	1800	284TC	02518XT3E284TC	\$4,262	XT	514	1.15	29.9	93.6	26.407	230/460	
		1800	284TC	02518XT3H284TC	\$4,262	XT	513	1.15	23.9	93.6	26.407	575	

continued on next page

Please refer to back cover for description of "NOTES"

For detailed specifications, data sheets, drawings and performance curves visit <http://www.weg.net>

Data subject to change without notice.



**C-Face - Foot Mount - continued**

HP	kW	RPM	Frame	Catalog Number	List Price	Mult. Symbol	Approx. Shipping Weight (lbs)	Service Factor	FL Amps @ High	FL. Eff (%)	"C" Dimension (in)	Voltage (V)	Notes
30	22	1800	286TC	<a href="#">03018XT3E286TC</a>	<b>\$4,672</b>	XT	555	1.15	36.0	93.6	27.905	230/460	
40	30	1800	324TC	<a href="#">04018XT3E324TC</a>	<b>\$5,919</b>	XT	700	1.15	48.2	94.1	29.602	230/460	
50	37	1800	326TC	<a href="#">05018XT3E326TC</a>	<b>\$7,084</b>	XT	740	1.15	60.6	94.5	31.106	230/460	
60	45	1800	364/5TC	<a href="#">06018XT3E364TC</a>	<b>\$11,116</b>	XT	1126	1.15	68.3	95.0	33.701	230/460	
75	55	1800	364/5TC	<a href="#">07518XT3E365TC</a>	<b>\$11,781</b>	XT	1147	1.15	83.2	95.4	33.701	230/460	
100	75	1800	404/5TC	<a href="#">10018XT3E405TC</a>	<b>\$14,993</b>	XT	1335	1.15	113	95.4	38.074	230/460	

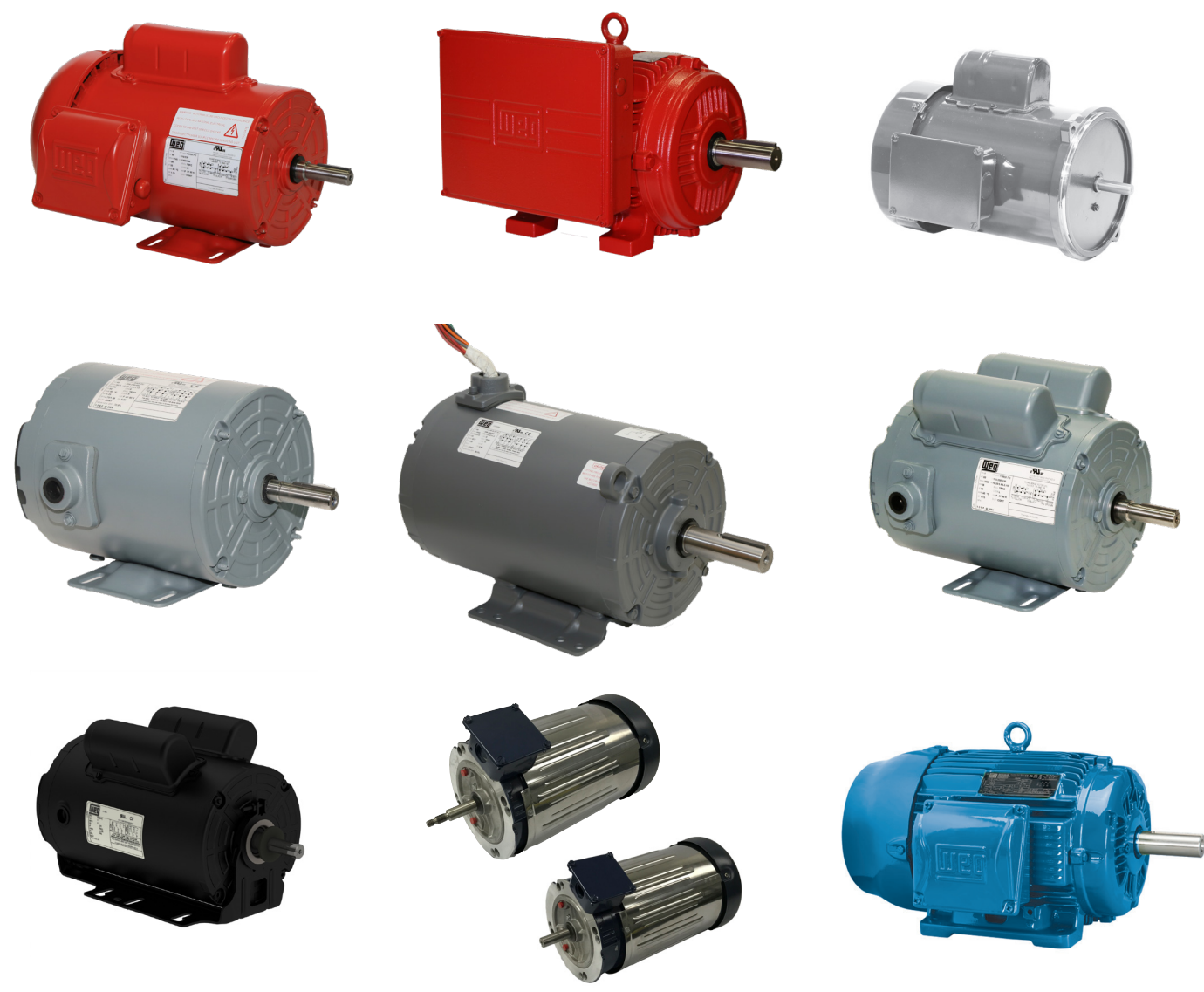

**C-Face - Footless**

HP	kW	RPM	Frame	Catalog Number	List Price	Mult. Symbol	Approx. Shipping Weight (lbs)	Service Factor	FL Amps @ High	FL. Eff (%)	"C" Dimension (in)	Voltage (V)	Notes
1	0.75	1800	143/5TC	<a href="#">00118XT3ER143TC</a>	<b>\$1,072</b>	XT	71	1.15	1.43	85.5	14.460	230/460	15
1.5	1.1	1800	143/5TC	<a href="#">00158XT3ER145TC</a>	<b>\$1,135</b>	XT	78	1.15	2.05	86.5	14.460	230/460	15
2	1.5	1800	143/5TC	<a href="#">00218XT3ER145TC</a>	<b>\$1,168</b>	XT	78	1.15	2.72	86.5	14.460	230/460	15
3	2.2	1800	182/4TC	<a href="#">00318XT3ER182TC</a>	<b>\$1,397</b>	XT	128	1.15	3.91	89.5	17.082	230/460	15
5	3.7	1800	182/4TC	<a href="#">00518XT3ER184TC</a>	<b>\$1,409</b>	XT	142	1.15	6.57	89.5	17.082	230/460	15;39
7.5	5.5	1800	213/5TC	<a href="#">00718XT3ER213TC</a>	<b>\$2,118</b>	XT	186	1.15	9.41	91.7	19.450	230/460	15
10	7.5	1800	L215TC	<a href="#">01018XT3ER215TC</a>	<b>\$2,220</b>	XT	220	1.15	12.7	91.7	23.493	230/460	15
15	11	1800	254TC	<a href="#">01518XT3ER254TC</a>	<b>\$3,029</b>	XT	320	1.15	18.4	92.4	25.025	230/460	15
20	15	1800	256TC	<a href="#">02018XT3ER256TC</a>	<b>\$3,391</b>	XT	403	1.15	25.0	93.0	26.773	230/460	15
25	18.5	1800	284TC	<a href="#">02518XT3ER284TC</a>	<b>\$4,340</b>	XT	523	1.15	29.9	93.6	28.651	230/460	15
30	22	1800	286TC	<a href="#">03018XT3ER286TC</a>	<b>\$4,758</b>	XT	548	1.15	36.0	93.6	30.149	230/460	15
40	30	1800	324TC	<a href="#">04018XT3ER324TC</a>	<b>\$6,027</b>	XT	702	1.15	48.2	94.1	32.240	230/460	15
50	37	1800	326TC	<a href="#">05018XT3ER326TC</a>	<b>\$7,215</b>	XT	739	1.15	60.6	94.5	33.744	230/460	15


**JP - Foot Mount**

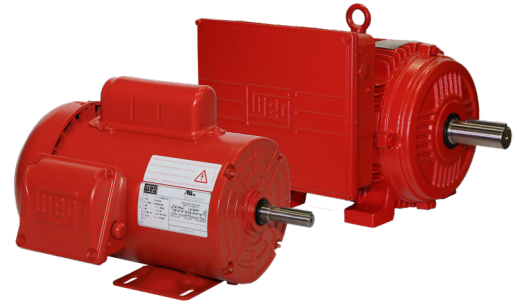
HP	kW	RPM	Frame	Catalog Number	List Price	Mult. Symbol	Approx. Shipping Weight (lbs)	Service Factor	FL Amps @ High	FL. Eff (%)	"C" Dimension (in)	Voltage (V)	Notes
3	2.2	1800	182/4JP	<a href="#">00318XT3E182JP</a>	<b>\$1,586</b>	XT	119	1.15	3.91	89.5	20.431	230/460	
		1800	182/4JP	<a href="#">00318XT3H182JP</a>	<b>\$1,586</b>	XT	119	1.15	3.13	89.5	20.431	575	
5	3.7	1800	182/4JP	<a href="#">00518XT3E184JP</a>	<b>\$1,609</b>	XT	136	1.15	6.57	89.5	20.306	230/460	
		1800	182/4JP	<a href="#">00518XT3H184JP</a>	<b>\$1,609</b>	XT	136	1.15	5.26	89.5	20.306	575	

WEG is known for highly reliable, tough motors. WEG's line of Farm Duty motors is no different. Designed in accordance with the application requirements of torque and environment, these motors are built to last. Standard features such as v-rings on totally enclosed motors provide versatility for indoor and outdoor applications. All motors are equipped with either thermostats or thermal overload protectors, providing protection against extreme overloads and offering safety to operators. In addition, if your Ag business is in need of a general purpose three-phase solution, do not forget our wide range of cast iron Severe Duty W22 motors or the tough-built Rolled Steel offering.



## Farm Duty, Single-Phase, TEFC

- Double shielded ball bearings
- Insulation class F with class B temperature rise
- Start and run capacitor on 1.5 HP and up
- High starting Torque
- Manual Reset Thermal Overload Protector



HP	kW	RPM	NEMA Frame	Catalog Number	List Price	Multiplier	Approx. Shipping Weight (lbs)	Service Factor	FL Amps @ High	FL. Eff (%)	"C" Dimension (in)	Voltage (V)	Notes
0.33	0.25	1800	W56	<a href="#">.3318ES1RFDW56-S</a>	\$284	R1	22	1.15	3.00	61.0	11.500	115/230	4;9
0.5	0.37	1800	W56	<a href="#">.5018ES1RFDW56-S</a>	\$308	R1	25	1.15	4.00	64.0	11.894	115/230	4;9
0.75	0.55	1800	56	<a href="#">.7518ES1RFD56-S</a>	\$357	R1	34	1.15	5.30	68.5	13.114	115/230	4;9
1	0.75	1800	56	<a href="#">00118ES1RFD56-S</a>	\$394	R1	40	1.15	6.80	71.0	13.902	115/230	4;9
		1800	143/5T	<a href="#">00118ES1RFD143T-S</a>	\$400	R1	40	1.15	6.80	71.0	13.969	115/230	4;9
1.5	1.1	1800	56H	<a href="#">00158ES1RFD56H-S</a>	\$502	R1	41	1.15	7.48	77.0	15.083	115/230	4;9
		1800	143/5T	<a href="#">00158ES1RFD145T-S</a>	\$504	R1	50	1.15	7.48	77.0	15.152	115/230	4;9
2	1.5	1800	56H	<a href="#">00218ES1RFD56H-S</a>	\$529	R1	46	1.15	10.0	78.5	15.870	115/230	4;9
		1800	143/5T	<a href="#">00218ES1RFD145T-S</a>	\$578	R1	57	1.15	10.0	78.5	15.938	115/230	4;9
		1800	182/4T	<a href="#">00218ES1RFD182T-W22</a>	\$790	R1	85.3	1.15	8.4	80	17.012	115/230V	4; 39
3	2.2	1800	182/4T	<a href="#">00318ES1DFD184T-W22</a>	\$915	R1	104	1.15	13.80	77	17.012	230V	4; 39
5	3.7	1800	182/4T	<a href="#">00518ES1DFD184T-W22</a>	\$1,074	R1	117	1.15	21.4	80	17.012	230V	4; 39
		1800	213/5T	<a href="#">00518ES1DFD215T-W22</a>	\$1,205	R1	146	1.15	21.3	80.5	19.462	230V	4; 39
		1800	213/5TZ	<a href="#">00518ES1DFD215Z-W22</a>	\$1,205	R1	146	1.15	21.3	80.5	19.462	230V	4; 39
7.5	5.5	1800	213/5T	<a href="#">00718ES1DFD215T-W22</a>	\$1,463	R1	176	1.15	31.7	83	19.462	230V	4; 39
		1800	213/5TZ	<a href="#">00718ES1DFD215Z-W22</a>	\$1,463	R1	176	1.15	31.7	83	19.462	230V	4; 39
10	7.5	1800	213/5T	<a href="#">01018ES1DFD215T-W22</a>	\$1,692	R1	194	1.15	40.9	84	19.462	230V	4; 39
12.5	9.2	1800	213/5T	<a href="#">01218ES1DFD215T-W22</a>	\$1,889	R1	205	1.15	54.5	82.5	19.462	230V	4; 39

**Notes:**

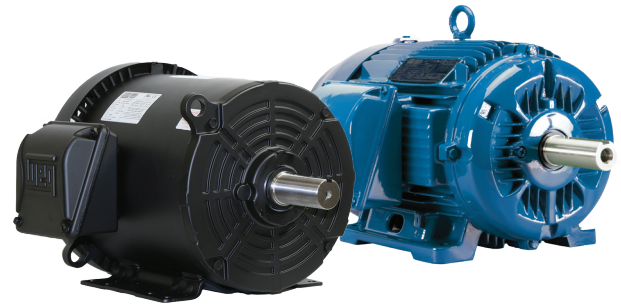
- 4) Manual Reset Thermal Overload Protector
- 9) Rolled Steel Frame



## Farm Duty, Three-Phase, TEFC

WEG Rolled Steel motors offer a robust and light weight solution for a variety of general farm/Ag applications.

- TEFC enclosure
- Bearing seals as standard
- IP55 ingress protection rating
- Robust mounting feet
- Inverter rated
- Option for internal AEGIS® SGR



WEG W22 Cast Iron motors are severe duty as standard and the perfect solution for heavy duty Farm/Ag applications, with demanding loads and tough environments

- TEFC enclosure
- Bearing seals as standard
- IP55 ingress protection rating
- FC-200 grade cast iron
- Inverter rated
- Option for internal AEGIS® SGR

HP	kW	RPM	NEMA Frame	Catalog Number	List Price	Mult. Symbol	Approx. Shipping Weight (lbs)	Service Factor	FL Amps @ High	FL. Eff (%)	"C" Dimension (in)	Voltage (V)	Notes
1	0.75	1800	143/5T	<a href="#">00118ET3E143T-S</a>	\$459	RSP	43	1.15	1.47	85.5	13.583	208-230/460	9
1	0.75	1800	143/5T	<a href="#">00118ET3E143T-W22</a>	\$527	N1	46	1.25	1.41	85.5	13.346	208-230/460	
1.5	1.1	1800	143/5T	<a href="#">00158ET3E145T-S</a>	\$480	RSP	43	1.15	2.02	86.5	13.583	208-230/460	9
1.5	1.1	1800	143/5T	<a href="#">00158ET3E145T-W22</a>	\$551	N1	54	1.25	2.02	86.5	13.346	208-230/460	
2	1.5	1800	143/5T	<a href="#">00218ET3E145T-S</a>	\$533	RSP	47	1.15	2.72	86.5	13.976	208-230/460	9
2	1.5	1800	143/5T	<a href="#">00218ET3E145T-W22</a>	\$612	N1	56	1.25	2.61	86.5	13.346	208-230/460	
3	2.2	1800	182/4T	<a href="#">00318ET3E182T-S</a>	\$577	RSP	87	1.15	3.81	89.5	17.894	208-230/460	9
3	2.2	1800	182/4T	<a href="#">00318ET3E182T-W22</a>	\$663	N1	96	1.25	3.88	89.5	15.860	208-230/460	
5	3.7	1800	182/4T	<a href="#">00518ET3E184T-S</a>	\$672	RSP	79	1.15	6.49	89.5	17.894	208-230/460	9
5	3.7	1800	182/4T	<a href="#">00518ET3E184T-W22</a>	\$772	N1	105	1.25	6.45	89.5	15.860	208-230/460	
7.5	5.5	1800	213/5T	<a href="#">00718ET3E213T-S</a>	\$948	RSP	131	1.15	9.07	91.7	18.898	208-230/460	9
7.5	5.5	1800	213/5T	<a href="#">00718ET3E213T-W22</a>	\$1,089	N1	169	1.25	9.00	91.7	19.517	208-230/460	
10	7.5	1800	213/5T	<a href="#">01018ET3E215T-S</a>	\$1,110	RSP	142	1.15	12.2	91.7	19.291	208-230/460	9
10	7.5	1800	213/5T	<a href="#">01018ET3E215T-W22</a>	\$1,273	N1	192	1.25	12.4	91.7	19.517	208-230/460	
15	11	1800	254/6T	<a href="#">01518ET3E254T-S</a>	\$1,610	RSP	242	1.15	18.2	92.4	22.559	208-230/460	9
15	11	1800	254/6T	<a href="#">01518ET3E254T-W22</a>	\$1,848	N1	333	1.25	18.0	92.4	24.945	208-230/460	
20	15	1800	254/6T	<a href="#">02018ET3E256T-S</a>	\$1,918	RSP	271	1.15	24.5	92.4	23.346	208-230/460	9
20	15	1800	254/6T	<a href="#">02018ET3E256T-W22</a>	\$2,201	N1	363	1.25	24.1	93.0	24.945	208-230/460	
25	18.5	1800	284/6T	<a href="#">02518ET3E284T-W22</a>	\$2,743	N1	433	1.25	29.5	93.6	27.929	208-230/460	
30	22	1800	284/6T	<a href="#">03018ET3E286T-W22</a>	\$3,223	N1	482	1.25	35.1	93.6	27.929	208-230/460	
40	30	1800	324/6T	<a href="#">04018ET3E324T-W22</a>	\$4,178	N1	595	1.25	48.2	94.1	31.116	208-230/460	
50	37	1800	324/6T	<a href="#">05018ET3E326T-W22</a>	\$5,100	N1	634	1.25	59.2	94.5	31.116	208-230/460	
60	45	1800	364/5T	<a href="#">06018ET3E364T-W22</a>	\$7,389	N1	1027	1.25	68.3	95.0	34.251	208-230/460	
60	45	1800	364/5T	<a href="#">06018ET3G364T-W22</a>	\$7,389	N1	1013	1.25	68.3	95.0	34.251	460	
75	55	1800	364/5T	<a href="#">07518ET3E365T-W22</a>	\$8,705	N1	1044	1.25	84.1	95.4	34.251	208-230/460	
75	55	1800	364/5T	<a href="#">07518ET3G365T-W22</a>	\$8,705	N1	1045	1.25	84.1	95.4	34.251	460	
100	75	1800	404/5T	<a href="#">10018ET3E405T-W22</a>	\$11,689	N1	1292	1.25	111	95.4	39.730	208-230/460	
100	75	1800	404/5T	<a href="#">10018ET3G405T-W22</a>	\$11,689	N1	1278	1.25	111	95.4	39.730	460	

Notes:

9) Rolled Steel Frame

## Poultry Fan, Single-Phase, TEAO

- Double shielded ball bearings
- Insulation class B
- Automatic Reset Thermal Overload Protector



### TEAO – Single-Phase – Poultry Fan – Foot Mount

HP	kW	RPM	Frame	Current Catalog Number	New Catalog Number	List Price	Mult. Symbol	Approx. Shipping Weight (lbs)	Service Factor	FL Amps @ High	FL. Eff (%)	“C” Dimension (in)	Voltage (V)	Notes
0.33	0.25	1800	48	.3318ES1BPF48*	.3318AS1BPF48-S	\$311	G1	22	1.25	2.76	61.5	10.157	115/208-230	3;9;16
0.5	0.37	1800	W56	.5018ES1BPF56*	.5018AS1BPF56-S	\$336	G1	27	1.25	4.20	65.0	11.102	115/208-230	3;9;16
0.75	0.55	1800	56	.7518ES1BPF56*	.7518AS1BPF56-S	\$385	G1	26	1.25	5.30	68.5	11.496	115/208-230	3;9
1	0.75	1800	56	00118ES1BPF56*	00118AS1BPF56-S	\$410	G1	35	1.15	7.00	72.0	12.992	115/208-230	3;9
	0.75	1800	56		00118AS1BPFH56-S	\$445	G1	32	1.40	6.20	73.0	13.464	115/208-230	3;9
1.5	1.10	1800	56		00158AS1BPF56-S	\$458	G1	33	1.15	7.48	77.0	13.464	115/208-230	3;9
	1.10	1800	56		00158AS1BPFH56-S	\$484	G1	34	1.30	8.74	76.0	13.858	115/208-230	3;9

Notes:

3) Automatic Reset Thermal Overload Protector

9) Rolled Steel Frame

16) Split-Phase Motor

\*Available until inventory is depleted



## Poultry Fan, Single-Phase, TEAO, Resilient Base

### TEAO – Single-Phase – Poultry Fan – Resilient Base

HP	kW	RPM	Frame	Current Catalog Number	New Catalog Number	List Price	Mult. Symbol	Approx. Shipping Weight (lbs)	Service Factor	FL Amps @ High	FL. Eff (%)	“C” Dimension (in)	Voltage (V)	Notes
0.33	0.25	1800	48	.3318ES1BRBPF48*	.3318AS1BRBPF48-S	\$325	G1	20	1.25	2.76	61.5	10.157	115/208-230	3;9;16
0.5	0.37	1800	W56	.5018ES1BRBPF56*	.5018AS1BRBPF56-S	\$350	G1	21	1.25	3.48	66.0	11.318	115/208-230	3;9;16
0.75	0.55	1800	56	.7518ES1BRBPF56*	.7518AS1BRBPF56-S	\$400	G1	26	1.25	5.63	68.5	12.008	115/208-230	3;9
1	0.75	1800	56	00118ES1BRBPF56*	00118AS1BRBPF56-S	\$435	G1	35	1.15	7.00	72.0	12.992	115/208-230	3;9
1.5	1.10	1800	56		00158AS1BRBPF56-S	\$477	G1	35	1.15	7.48	77	13.976	115/208-230	3;9

Notes:

3) Automatic Reset Thermal Overload Protector

9) Rolled Steel Frame

16) Split-Phase Motor

\*Available until inventory is depleted



## PSC Direct Drive Fan Motors - Single Phase, TEAO

- Extended Through-Bolts
- Automatic Reset Thermal Overload Protector
- Permanent Split Capacitor



### Extended Through-Bolts

HP	kW	RPM	Frame	New Catalog Number	List Price	Mult. Symbol	Approx. Shipping Weight (lbs)	Service Factor	FL Amps @ High	FL. Eff (%)	"C" Dimension (in)	Voltage (V)	Notes
0.33	0.25	1800	48Z	.3318AS1BPFPC48Z-S	\$287	G1	20	1.25	1.83	62	10.554	115/208-230	3;9
		1200	48Z	.3312AS1BPFPC48Z-S	\$322	G1	22	1.25	1.88	61	11.735	115/208-230	3;9
0.5	0.37	900	56HZ	.5009AS1RPFRCPC56Z-S	\$548	G1	26	1.00	3.15	55	13.947	115/230	3;9;13

Notes:

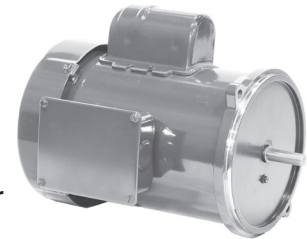
3) Automatic Reset Thermal Overload Protector

9) Rolled Steel Frame

13) Resilient Base

## Auger Drive, Single-Phase, TEFC, Flange Mount

- Capacitor Start
- Double shielded ball bearings
- Two bolts mounting NEMA 'N' flange
- Non-Drive-End shaft with 3/8" drive socket for manual jogging of auger
- Centrifugal start switch protected against auger drive overspeed
- Manual Reset Thermal Overload Protector



HP	kW	RPM	NEMA Frame	Catalog Number	List Price	Mult. Symbol	Approx. Shipping Weight (lbs)	Service Factor	FL Amps @ High	FL. Eff (%)	"C" Dimension (in)	Voltage (V)	Notes
0.33	0.25	1800	56NZ	.3318ES1RAD56NZ	\$363	A1	28	1.00	3.0	60.0	10.200	115/230	4;9;20; 40
0.50	0.37	1800	56NZ	.5018ES1RAD56NZ	\$409	A1	30	1.00	3.6	70.0	11.200	115/230	4;9;20; 40
0.75	0.55	1800	56NZ	.7518ES1RAD56NZ	\$447	A1	34	1.00	4.6	74.0	11.700	115/230	4;9;20; 40
1	0.75	1800	56NZ	.00118ES1RAD56N	\$481	A1	35	1.00	7.0	74.0	12.480	115/230	4;9;20; 40
1.5	1.1	1800	56NZ	.00158ES1RAD56N	\$597	A1	40	1.00	7.7	80.0	12.870	115/230	4;9;20; 40

Notes:

4) Manual Reset Thermal Overload Protector

9) Rolled Steel Frame

20) Round Body - Drip Cover NOT Included

40) NDE shaft with 3/8" drive socket



## Grain Dryer/Vane Axial Fan, Single and Three-Phase, TEAO

- Designed for air over direct coupling crop dryer vane axial fans
- Capable of continuous duty operation
- Class F insulation
- Normally-closed thermostats (one per phase)
- 30 inch extended leads
- Longer than NEMA shaft end
- Low profile lifting lugs
- Drive End with locked bearing and threaded center hole
- Spare nameplate and IP55 ingress protection



### TEAO - Three-Phase - Grain Dryer

HP	RPM	NEMA Frame	Catalog Number	List Price	Mult. Symbol	FL Amps @ High	FL. Eff. (%)	"C"Dim. (in)	Voltage (V)	Notes
1.5-3	3600	143/5TZ	<a href="#">00336AP3EGD145TZ-S</a>	\$750	GD3	2.41	79.70	12.401	208-230/460	9;38
3-4.5	3600	143/5TZ	<a href="#">00456AP3EGD145TZ-S</a>	\$795	GD3	4.01	83.80	13.582	208-230/460	9;38
3-4.5	3600	182/4TZ	<a href="#">00456AP3EGD182Z-S</a>	\$827	GD3	4.27	86.20	14.601	208-230/460	9;38
5-7.5	3600	182/4TZ	<a href="#">00736AP3EGD184TZ-S</a>	\$933	GD3	6.45	87.80	16.282	208-230/460	9;38
7.5-10	3600	182/4TZ	<a href="#">01036AP3EGD184TZ-S</a>	\$1,123	GD3	9.04	89.80	17.070	208-230/460	9;38
10-15	3600	213/5TZ	<a href="#">01536AP3EGD215TZ-S</a>	\$1,408	GD3	12.20	92.50	17.756	208-230/460	9;38

Notes:

9) Rolled Steel Frame

38) TEAO - Totally Enclosed Air Over

### TEAO - Single-Phase - Grain Dryer

HP	RPM	NEMA Frame	Catalog Number	List Price	Mult. Symbol	FL Amps @ High	FL. Eff. (%)	"C"Dim. (in)	Voltage (V)	Notes
1.5-3	3600	145TZ	<a href="#">00336AP1DGD145TZ-S</a>	\$910	GD1	7.51	73.20	13.555	230	1,9;38
3-4.5	3600	145TZ	<a href="#">00456AP1DGD145TZ-S</a>	\$1,025	GD1	11.80	82.40	15.130	230	1,9;38
5-7.5	3600	182TZ	<a href="#">00736AP1DGD182TZ-S</a>	\$1,296	GD1	19.80	82.90	17.070	230	1,9;38
7.5-10	3600	182TZ	<a href="#">01036AP1DGD182TZ-S</a>	\$1,338	GD1	27.20	87.80	17.858	230	1,9;38
10-15	3600	215TZ	<a href="#">01536AP1DGD215TZ-S</a>	\$2,024	GD1	37.80	88.00	19.720	230	1,9;38

Notes:

1) 1.0 Service Factor

9) Rolled Steel Frame

38) TEAO - Totally Enclosed Air Over



## Aeration Fan Motors, Single-Phase, TEAO

- Suitable for air-over applications such as aeration fans, exhaust fans and other air handling units
- Automatic reset thermal overload protector
- IP55



HP	RPM	NEMA Frame	Catalog Number	List Price	Mult. Symbol	FL Amps @ High	FL. Eff. (%)	"C"Dim. (in)	Voltage (V)	Notes
0.75	3600	56Z	<a href="#">.7536AS1RAF56Z-S</a>	\$395	R1	4.00	66.0	11.201	115/230	3,9;38
1	3600	56Z	<a href="#">00136AS1RAF56Z-S</a>	\$459	R1	5.10	70.0	11.594	115/230	3,9;38
1.5	3600	56Z	<a href="#">00156AS1RAF56Z-S</a>	\$601	R1	6.60	75.0	12.382	115/230	3,9;38
2	3600	143/5TZ	<a href="#">00236AS1RAF143TZ-S</a>	\$643	R1	6.60	75.0	12.413	115/230	3,9;38
3	3600	143/5TZ	<a href="#">00336AS1RAF145TZ-S</a>	\$783	R1	8.70	77.0	12.807	115/230	3,9;38

Notes:

3) Automatic Reset Thermal Overload Protector

9) Rolled Steel Frame

38) TEAO - Totally Enclosed Air Over

## Aeration Fan Motors, Three-Phase, TEAO

- Suitable for air-over applications such as aeration fans, exhaust fans and other air handling units
- Normally-closed thermostats (one per phase)
- IP55



HP	RPM	NEMA Frame	Catalog Number	List Price	Mult. Symbol	FL Amps @ High	FL. Eff. (%)	"C"Dim. (in)	Voltage (V)	Notes
0.75	3600	56Z	<a href="#">.7536AS3EAF56Z-S</a>	\$402	R1	1.13	72.0	10.380	208-230/460	9;38
1	3600	56Z	<a href="#">00136AS3EAF56Z-S</a>	\$435	R1	1.51	74.0	10.380	208-230/460	9;38
1.5	3600	143/5TZ	<a href="#">00156AP3EAF143TZ-S</a>	\$498	R1	1.90	82.5	11.624	208-230/460	9;38
2	3600	143/5TZ	<a href="#">00236AP3EAF143TZ-S</a>	\$578	R1	2.55	84.0	12.018	208-230/460	9;38
3	3600	143/5TZ	<a href="#">00336AP3EAF145TZ-S</a>	\$659	R1	3.55	85.5	12.805	208-230/460	9;38

Notes:

9) Rolled Steel Frame

38) TEAO - Totally Enclosed Air Over





## IRRIGATION DUTY MOTORS

### TEFC

High Starting Torque makes these motors ideal for a wide range of applications.

### Single-Phase – C-Face – Foot Mount

- Shielded Ball bearings
- Class F insulation (impregnation resin and magnet wire are class H)
- With robust external metal fan
- Gasketed conduit box

HP	kW	RPM	Frame	Catalog Number	List Price	Mult. Symbol	Approx. Shipping Weight (lbs)	Service Factor	FL Amps @ High	FL. Eff (%)	“C” Dimension (in)	Voltage (V)	Notes
5	3.7	1800	184TC	<a href="#">00518ES1EID184TC</a>	\$1,153	W1	121	1.15	10.7	79.0	17.050	208-230/460	11
7.5	5.5	1800	215TC	<a href="#">00718ES1EID215TC</a>	\$1,471	W1	169	1.15	17.0	83.0	19.567	208-230/460	11
10	7.5	1800	215TC	<a href="#">01018ES1EID215TC</a>	\$1,694	W1	193	1.15	19.5	84.0	19.567	208-230/460	11
12.5	9.2	1800	215TC	<a href="#">01218ES1EID215TC</a>	\$1,888	W1	205	1.15	24.0	84.0	19.567	208-230/460	11

Note:

11) Metal fan - (not suitable for division 2)

### Three-Phase – C-Face – Foot Mount

- 50/60 Hz rated (380V on nameplate - 400/415 available)
- Rated 50Hz at same horsepower 1.0 Service Factor
- Class F insulation (impregnation resin and magnet wire are class H)
- F1 mounted (field convertible to F2)
- Regreasable ball bearings (frames 254T and up)
- Gasketed conduit box
- With robust external metal fan



HP	kW	RPM	Frame	Catalog Number	List Price	Mult. Symbol	Approx. Shipping Weight (lbs)	Service Factor	FL Amps @ High	FL. Eff (%)	“C” Dimension (in)	Voltage (V)	Notes
5	3.7	1800	182/4TC	<a href="#">00518ET3EID184TC-W22</a>	\$860	N1	110	1.25	6.45	89.5	15.860	230/460	11
7.5	5.5	1800	213/5TC	<a href="#">00718ET3EID213TC-W22</a>	\$1,202	N1	180	1.25	9.18	91.7	19.517	230/460	11
10	7.5	1800	213/5TC	<a href="#">01018ET3EID215TC-W22</a>	\$1,386	N1	194	1.25	12.4	91.7	19.517	230/460	11
15	11	1800	254/6TC	<a href="#">01518ET3EID254TC-W22</a>	\$1,996	N1	353	1.25	18.0	92.4	24.945	230/460	11
20	15	1800	254/6TC	<a href="#">02018ET3EID256TC-W22</a>	\$2,349	N1	403	1.25	24.1	93.0	24.945	230/460	11
25	18.5	1800	284/6TC	<a href="#">02518ET3EID284TC-W22</a>	\$2,947	N1	451	1.25	29.5	93.6	27.929	230/460	11

Note:

11) Metal fan - (not suitable for division 2)

## Irrigation Drive Motors

These drive motors for center pivot and linear travel irrigation towers have been used on OEM equipment for decades. Its unique design offers a stainless steel rain shield for extra protection against water and other elements typically present in an agricultural environment. These motors are rated for 50°C ambient, making it the best for this application. Also featuring double sealed ball bearings, an automatic reset thermal overload protector, corrosion resistant phosphate shaft coating and a gasketed conduit box.



HP	kW	RPM	Frame	Catalog Number	List Price	Mult. Symbol	Approx. Shipping Weight (lbs)	Service Factor	FL Amps @ High	FL Eff (%)	"C" Dimension (in)	Voltage (V)	Notes
1	.75	1800	56C	<a href="#">1311731426</a>	<b>803</b>	A1	31	1.0	1.4	85.5	14.58	460	3;9;15;42;45
1.5	1.1	1800	56C	<a href="#">1312200400</a>	<b>879</b>	A1	38	1.0	2.0	86.5	13.71	460	3;9;15;42;45

**Notes:**

- 3) Automatic Reset Thermal Overload Protector
- 9) Rolled Steel Frame
- 15) Round Body - Drip Cover Included
- 42) Rated 50oC ambient
- 45) Also rated 380V 50Hz

## Jet End Booster Pump

The Bluffton Motor Works End Jet Booster Pump is perfect for irrigation systems. The solution includes a stainless steel rain shield and canopy for vertical application, a fully gasketed conduit box, an automatic reset thermal overload protection, and stainless steel shaft end.



HP	kW	RPM	Frame	Catalog Number	List Price	Mult. Symbol	Approx. Shipping Weight (lbs)	Service Factor	FL Amps @ High	FL Eff (%)	"C" Dimension (in)	Voltage (V)	Notes
2	1.5	3600	56J	<a href="#">1313171403</a>	<b>837</b>	A1	43	1.5	2.8	85.5	14.22	460	3;9;15
2	1.5	3600	56Z	<a href="#">1313007404</a>	<b>851</b>	A1	43	1.5	2.8	85.5	14.49	460	3;9;15;46

**Notes:**

- 3) Automatic Reset Thermal Overload Protector
- 9) Rolled Steel Frame
- 15) Round Body - Drip Cover Included
- 46) 56J shaft end with dual opposed threads (7/16-20 UNF-2A R.H and 3/8-16 UNF-2A L.H)



# ESW/PESW



UL File No. E202315

WEG offers non-reversing and non-combination magnetic starters up to 75HP at 460Vac (105A). Featuring components that meet IEC design standards and UL horsepower ratings, incorporating WEG contactors and overload relays, the magnetic starters are ideal to protect and operate motors, ensuring smooth operation year-after year.

Three series are available:

- Metallic Type 1 – ESW Series
- Non-Metallic Type 4X – PESW Series
- Metallic Type NEMA 7/9 - ESWX Series

WEG ESW and PESW starters are pre-wired from the factory and recommended for all single and three phase applications where magnetic starters can be applied.

## Standard Features

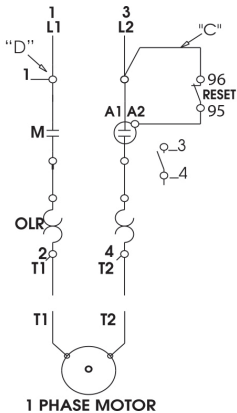
- High horsepower ratings in four compact sizes
- Fast acceleration and high initial torque
- Bimetallic Overload Relays – class 10
- Adjustable trip current
- Ambient temperature compensated
- Phase-loss sensitivity protection
- Selectable Manual or Automatic RESET
- Electrically isolated NO-NC auxiliary contacts
- Easy to install and setup

## ESW

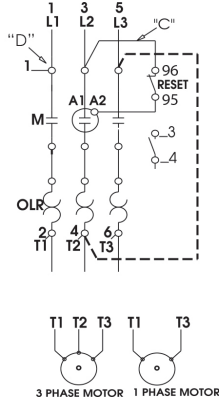
### Nema 1 Enclosure - Three Phase

#### WIRING DIAGRAM

##### Single-phase Starter



##### Three-phase Starter



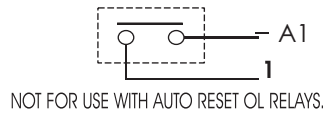
Conversion to single-phase, add jumper wire from L3 to T2 (follow dotted line connection above)

#### Separate Control

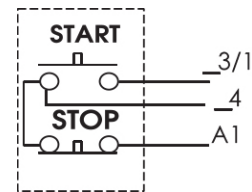
FOR SEPARATE CONTROL, REMOVE WIRES "C" AND "D" IF SUPPLIED AND CONNECT SEPARATE CONTROL LINES TO TERMINAL N° 96 ON THE OVERLOAD RELAY AND TO TERMINAL N° \_3 ON THE AUX. CONTACT BLOCK (FOR 3 WIRE CONTROL) OR TO THE CONTACTOR COIL N° A1 (FOR 2 WIRE CONTROL).

#### Pilot Devices

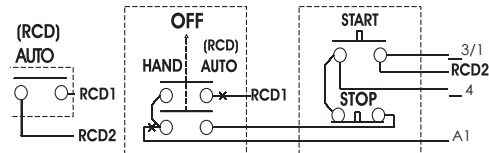
##### 2 Wire Control



##### 3 Wire Control



##### Hand-Off Auto Wire Control (For ESW Series Only)



#### DIMENSIONS

Provision for cable gland fitting	Standard			
	Top	Bottom	Side	Back
Box M04	2x (1/2" or 3/4")	2x (1/2" or 3/4")	4x (1/2" or 3/4")	2x (1/2" or 3/4")
	1x (3/4" or 1")	1x (3/4" or 1")	-	-
Box M06	1x (1/2" or 3/4")	1x (1/2" or 3/4")	3x (1/2" or 3/4")	-
	2x (1" or 1-1/4")	2x (1" or 1-1/4")	4x (1" or 1-1/4")	-
Box M08	1x (1")	1x (1")	1x (1")	1x (1")
	1x (1-1/2")	1x (1-1/2")	4x (3/4")	-

#### Dimensions (approx. inches)

Enclosed Starters	Enclosure Size			
	BOX	H	W	D
ESW(S) 9, 12, 18, 25, 32	M04	9.5	5.5	5.0
ESW(S) 40, 50, 65, 80	M06	13.0	7.5	5.6
ESW 95, 105	M08	17.8	9.5	6.7





# Enclosed Starters

**ESW**

**Nema 1 Enclosure - Three Phase**

## ESW Series - Non-combination Across The Line Starter Three -Phase - Enclosure Type-1

Max. UL Horsepower				Box	Setting Range	Coil Voltage	RESET only		START/STOP + RESET		Multiplier
200V	230V	460V	575V				Catalog Number	List Price	Catalog Number	List Price	
-	1/3	1/2	-	M04	0.8 - 1.2	120	ESW-B9D15E-R23	\$157	ESW-B9D15A-R23	\$210	Z3
						208-240	ESW-B9V24E-R23		ESW-B9V24A-R23		
						480	ESW-B9D39E-R23		ESW-B9D39A-R23		
-	-	1	1	M04	1.2 - 1.8	120	ESW-B9D15E-R24	\$157	ESW-B9D15A-R24	\$210	
						208-240	ESW-B9V24E-R24		ESW-B9V24A-R24		
						480	ESW-B9D39E-R24		ESW-B9D39A-R24		
1/2	3/4	1-1/2	2	M04	1.8 - 2.8	120	ESW-B9D15E-R25	\$157	ESW-B9D15A-R25	\$210	
						208-240	ESW-B9V24E-R25		ESW-B9V24A-R25		
						480	ESW-B9D39E-R25		ESW-B9D39A-R25		
1	1	2	3	M04	2.8 - 4.0	120	ESW-B9D15E-R26	\$157	ESW-B9D15A-R26	\$210	
						208-240	ESW-B9V24E-R26		ESW-B9V24A-R26		
						480	ESW-B9D39E-R26		ESW-B9D39A-R26		
1-1/2	1-1/2	3	5	M04	4.0 - 6.3	120	ESW-B9D15E-R27	\$157	ESW-B9D15A-R27	\$210	
						208-240	ESW-B9V24E-R27		ESW-B9V24A-R27		
						480	ESW-B9D39E-R27		ESW-B9D39A-R27		
2	2	5	-	M04	5.6 - 8.0	120	ESW-B9D15E-R28	\$157	ESW-B9D15A-R28	\$210	
						208-240	ESW-B9V24E-R28		ESW-B9V24A-R28		
						480	ESW-B9D39E-R28		ESW-B9D39A-R28		
3	3	-	7-1/2	M04	7.0 - 10	120	ESW-B9D15E-R29	\$157	ESW-B9D15A-R29	\$210	
						208-240	ESW-B9V24E-R29		ESW-B9V24A-R29		
						480	ESW-B9D39E-R29		ESW-B9D39A-R29		
-	-	7-1/2	10	M04	8.0 - 12.5	120	ESW-B12D15E-R30	\$174	ESW-B12D15A-R30	\$227	
						208-240	ESW-B12V24E-R30		ESW-B12V24A-R30		
						480	ESW-B12D39E-R30		ESW-B12D39A-R30		
5	5	10	15	M04	11 - 17	120	ESW-B18D15E-R32	\$188	ESW-B18D15A-R32	\$241	
						208-240	ESW-B18V24E-R32		ESW-B18V24A-R32		
						480	ESW-B18D39E-R32		ESW-B18D39A-R32		
7-1/2	7-1/2	15	-	M04	15 - 23	120	ESW-B25D15E-R33	\$223	ESW-B25D15A-R33	\$276	
						208-240	ESW-B25V24E-R33		ESW-B25V24A-R33		
						480	ESW-B25D39E-R33		ESW-B25D39A-R33		
10	10	20	25	M04	22 - 32	120	ESW-B32D15E-R34	\$245	ESW-B32D15A-R34	\$298	
						208-240	ESW-B32V24E-R34		ESW-B32V24A-R34		
						480	ESW-B32D39E-R34		ESW-B32D39A-R34		
10	10	25	25	M04	32-40	120	ESW-B38D15E-R35	\$292	ESW-B38D15A-R35	\$345	
						208-240	ESW-B38V24E-R35		ESW-B38V24A-R35		
						480	ESW-B38D39E-R35		ESW-B38D39A-R35		
10	15	25	-	M06	32-40	120	ESW-40V18E-R35	\$292	ESW-40V18A-R35	\$345	
						208-240	ESW-40V24E-R35		ESW-40V24A-R35		
						480	ESW-40V47E-R35		ESW-40V47A-R35		
15	15	30	40	M06	32 - 50	120	ESW-50V18E-R38	\$350	ESW-50V18A-R38	\$403	
						208-240	ESW-50V24E-R38		ESW-50V24A-R38		
						480	ESW-50V47E-R38		ESW-50V47A-R38		
20	20	40	50	M06	40 - 57	120	ESW-65V18E-R39	\$375	ESW-65V18A-R39	\$428	
						208-240	ESW-65V24E-R39		ESW-65V24A-R39		
						480	ESW-65V47E-R39		ESW-65V47A-R39		
-	25	50	60	M06	57 - 70	120	ESW-80V18E-R41	\$421	ESW-80V18A-R41	\$474	
						208-240	ESW-80V24E-R41		ESW-80V24A-R41		
						480	ESW-80V47E-R41		ESW-80V47A-R41		
25	30	60	75	M08	63 - 80	120	ESW-95V18E-R43	\$876	ESW-95V18A-R43	\$929	
						208-240	ESW-95V24E-R43		ESW-95V24A-R43		
						480	ESW-95V47E-R43		ESW-95V47A-R43		
30	-	75	-	M08	75 - 97	120	ESW-105V18E-R44	\$975	ESW-105V18A-R44	\$1,028	
						208-240	ESW-105V24E-R44		ESW-105V24A-R44		
						480	ESW-105V47E-R44		ESW-105V47A-R44		
-	40	-	-	M08	90 - 112	120	ESW-105V18E-R45	\$975	ESW-105V18A-R45	\$1,028	
						208-240	ESW-105V24E-R45		ESW-105V24A-R45		
						480	ESW-105V47E-R45		ESW-105V47A-R45		

**Notes:**

- 1) Please contact your local WEG representative for starters with other control voltage.
- 2) 3-phase starters can be wired for single-phase applications (see page 241 for single phase conversion diagram)

# Enclosed Starters



## ESWS

### Nema 1 Enclosure - Single Phase

#### ESW Series - Non-combination Across The Line Starter - Non Reversing Single Phase - Enclosure Type-1

Max. UL Horsepower		Box	Setting Range	Coil Voltage	RESET only		Start Stop Reset		Multiplier All Models
115V	230V				Catalog Number	List Price	Catalog Number	List Price	
-	-	M04	0.8-1.2	120	ESWS-B9D15E-RM23	\$135	ESWS-B9D15A-RM23	\$188	Z3
				208-240	ESWS-B9V24E-RM23		ESWS-B9V24A-RM23		
-	1/10	M04	1.2-1.8	120	ESWS-B9D15E-RM24	\$135	ESWS-B9D15A-RM24	\$188	
				208-240	ESWS-B9V24E-RM24		ESWS-B9V24A-RM24		
-	1/6	M04	1.8-2.8	120	ESWS-B9D15E-RM25	\$135	ESWS-B9D15A-RM25	\$188	
				208-240	ESWS-B9V24E-RM25		ESWS-B9V24A-RM25		
1/8	1/3	M04	2.8 - 4.0	120	ESWS-B9D15E-RM26	\$135	ESWS-B9D15A-RM26	\$188	
				208-240	ESWS-B9V24E-RM26		ESWS-B9V24A-RM26		
1/4	1/2	M04	4.0 - 6.3	120	ESWS-B9D15E-RM27	\$135	ESWS-B9D15A-RM27	\$188	
				208-240	ESWS-B9V24E-RM27		ESWS-B9V24A-RM27		
1/3	1	M04	5.6 - 8.0	120	ESWS-B9D15E-RM28	\$135	ESWS-B9D15A-RM28	\$188	
				208-240	ESWS-B9V24E-RM28		ESWS-B9V24A-RM28		
1/2	1-1/2	M04	7.0 - 10	120	ESWS-B9D15E-RM29	\$135	ESWS-B9D15A-RM29	\$188	
				208-240	ESWS-B9V24E-RM29		ESWS-B9V24A-RM29		
1/2	2	M04	8.0 - 12.5	120	ESWS-B12D15E-RM30	\$135	ESWS-B12D15A-RM30	\$227	
				208-240	ESWS-B12V24E-RM30		ESWS-B12V24A-RM30		
3/4	2	M04	10-15	120	ESWS-B18D15E-RM31	\$161	ESWS-B18D15A-RM31	\$241	
				208-240	ESWS-B18V24E-RM31		ESWS-B18V24A-RM31		
1	3	M04	11 - 17	120	ESWS-B18D15E-RM32	\$170	ESWS-B18D15A-RM32	\$241	
				208-240	ESWS-B18V24E-RM32		ESWS-B18V24A-RM32		
1-1/2	3	M04	15 -23	120	ESWS-B25D15E-RM33	\$180	ESWS-B25D15A-RM33	\$276	
				208-240	ESWS-B25V24E-RM33		ESWS-B25V24A-RM33		
2	5	M04	22 -32	120	ESWS-B32D15E-RM34	\$230	ESWS-B32D15A-RM34	\$276	
				208-240	ESWS-B32V24E-RM34		ESWS-B32V24A-RM34		
3	7-1/2	M04	32-40	120	ESWS-B38D15E-RM35	\$274	ESWS-B38D15A-RM35	\$327	
				208-240	ESWS-B38V24E-RM35		ESWS-B38V24A-RM35		
3	7-1/2	M06	25 - 40	120	ESWS-40V18E-RM35	\$274	ESWS-40V18E-RM35	\$351	
				208-240	ESWS-40V24E-RM35		ESWS-40V24E-RM35		
3	10	M06	32 - 50	120	ESWS-50V18E-RM38	\$330	ESWS-50V18E-RM38	\$423	
				208-240	ESWS-50V24E-RM38		ESWS-50V24E-RM38		

Notes: 1) OLR must be set at 115% of motor FLA

ESWS - Single-phase version - assembled with 2 pole contactor and 2 pole overload relays

#### Field Mod Kits for ESW/ESWS Series

Description	Accessories		Field Kit Modifications		
	Structure		Catalog Number	List Price	Multiplier
	Top	Bottom			
No Pilot Device Metal Brackets - 2 x 22mm holes w/ plugs	PLUG	PLUG	<a href="#">KESWPP</a>	\$25	Z3
Start / Stop Pushbutton	PLUG	START - STOP	<a href="#">KESWPS</a>	\$80	
Hand-Off-Auto Selector Switch	HAND - OFF - AUTO	PLUG	<a href="#">KESWHP</a>	\$80	
Off-On Selector Switch	OFF - ON	PLUG	<a href="#">KESWFP</a>	\$80	
E-stop	PLUG	E-STOP	<a href="#">KESWPE</a>	\$80	



KESWPP



KESWPS



KESWHP

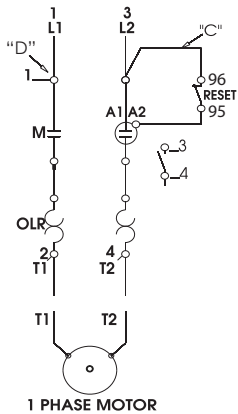


KESWFP

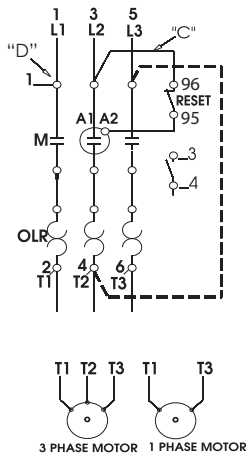
## PESW

### WIRING DIAGRAM

#### Single-phase Starter



#### Three-phase Starter

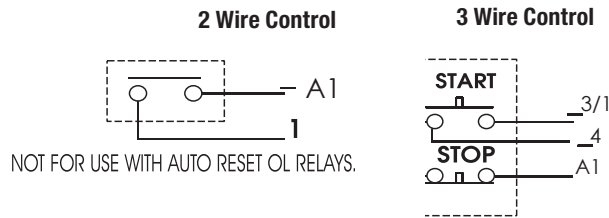


Conversion to single-phase, add jumper wire from L3 to T2 (follow dotted line connection above)

#### Separate Control

FOR SEPARATE CONTROL, REMOVE WIRES "C" AND "D" IF SUPPLIED AND CONNECT SEPARATE CONTROL LINES TO TERMINAL N° 96 ON THE OVERLOAD RELAY AND TO TERMINAL N° 3 ON THE AUX. CONTACT BLOCK (FOR 3 WIRE CONTROL) OR TO THE CONTACTOR COIL N° A1 (FOR 2 WIRE CONTROL).

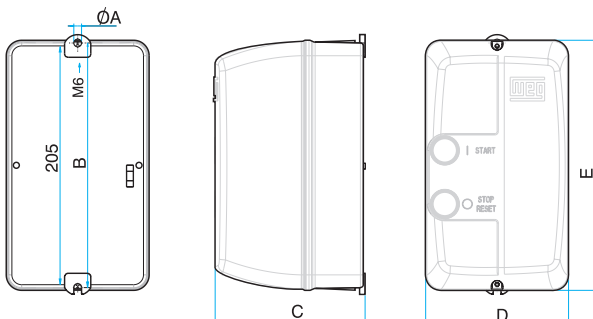
#### Pilot Devices



### DIMENSIONS

SIZE 05 mm(in)	SIZE 06 mm (in)	SIZE 08 mm (in)	SIZE 10 mm (in)
∅A = 5.5 (0.2165)	∅A = 6.5 (0.3)	∅A = 6.0 (0.2)	∅A = 7.0 (0.3)
B = 219.0 (8.622)	B = 205 (8.1)	B = 275 (10.8)	B = 355 (14.0)
C = 112 (4.4331)	C = 126 (5.0)	C = 143 (5.6)	C = 167 (6.6)
D = 114.0 (4.4882)	D = 120 (4.7)	D = 180 (7.1)	D = 250 (9.9)
E = 229.5 (9.0354)	E = 210 (8.3)	E = 280 (11.0)	E = 360 (14.2)

Provision for cable gland fitting	Standard		
	Top	Bottom	Back
Size 05	2 x 1/2" - 3/4" PG13.5	2 x 1/2" - 3/4" PG13.5	4 X 1/2" PG13.5
Size 06		2 x 1/2" and 3/4"	∅22mm (0.9in)
Size 08	2 x 3/4" and 1"	2 x 3/4" and 1"	-
Size 10	2 x 3/4" and 1"	2 x 3/4" and 1"	-
	1 x 1" and 1 1/4"	1 x 1" and 1 1/4"	-



For wall mounting on starters size 08 and 10, four screws with the following characteristics should be used:

- Pan, dome or rounded shaped head;
- Starter size 08:
  - Screws size 1/4 (or M6 – ISO Standard);
  - Dimensions: diameter thread shall be maximum 1/4 in and diameter head shall be maximum 15/64 in.
- Starter size 10:
  - Screws size 1/2 (or M5 – ISO Standard);
  - Dimensions: diameter thread shall be maximum 0.236 in and diameter head shall be maximum 0.394 in.





### PESW Series - Non-combination Across the line starter Three-Phase Enclosure Type - 4X

Max. UL Horsepower				Box	Setting Range	Coil Voltage	RESET only		START/STOP + RESET		Multiplier
200V	230V	460V	575V				Catalog Number	List Price	Catalog Number	List Price	
-	1/3	1/2	-	05	0.8 - 1.2	120	PESW-B9D15EX-R57	\$157	PESW-B9D15AX-R57	\$210	Z3
						208-240	PESW-B9V24EX-R57		PESW-B9V24AX-R57		
						480	PESW-B9D39EX-R57		PESW-B9D39AX-R57		
-	-	1	1	05	1.2 - 1.8	120	PESW-B9D15EX-R58	\$157	PESW-B9D15AX-R58	\$210	
						208-240	PESW-B9V24EX-R58		PESW-B9V24AX-R58		
						480	PESW-B9D39EX-R58		PESW-B9D39AX-R58		
1/2	3/4	1-1/2	2	05	1.8 - 2.8	120	PESW-B9D15EX-R59	\$157	PESW-B9D15AX-R59	\$210	
						208-240	PESW-B9V24EX-R59		PESW-B9V24AX-R59		
						480	PESW-B9D39EX-R59		PESW-B9D39AX-R59		
1	1	2	3	05	2.8 - 4.0	120	PESW-B9D15EX-R60	\$157	PESW-B9D15AX-R60	\$210	
						208-240	PESW-B9V24EX-R60		PESW-B9V24AX-R60		
						480	PESW-B9D39EX-R60		PESW-B9D39AX-R60		
1-1/2	1-1/2	3	5	05	4.0 - 6.3	120	PESW-B9D15EX-R61	\$157	PESW-B9D15AX-R61	\$210	
						208-240	PESW-B9V24EX-R61		PESW-B9V24AX-R61		
						480	PESW-B9D39EX-R61		PESW-B9D39AX-R61		
2	2	5	-	05	5.6 - 8.0	120	PESW-B9D15EX-R62	\$157	PESW-B9D15AX-R62	\$210	
						208-240	PESW-B9V24EX-R62		PESW-B9V24AX-R62		
						480	PESW-B9D39EX-R62		PESW-B9D39AX-R62		
3	3	-	7-1/2	05	7.0 - 10	120	PESW-B9D15EX-R63	\$157	PESW-B9D15AX-R63	\$210	
						208-240	PESW-B9V24EX-R63		PESW-B9V24AX-R63		
						480	PESW-B9D39EX-R63		PESW-B9D39AX-R63		
-	-	7-1/2	10	05	8.0 - 12.5	120	PESW-B12D15EX-R64	\$174	PESW-B12D15AX-R64	\$227	
						208-240	PESW-B12V24EX-R64		PESW-B12V24AX-R64		
						480	PESW-B12D39EX-R64		PESW-B12D39AX-R64		
5	5	10	15	05	11 - 17	120	PESW-B18D15EX-R66	\$188	PESW-B18D15AX-R66	\$241	
						208-240	PESW-B18V24EX-R66		PESW-B18V24AX-R66		
						480	PESW-B18D39EX-R66		PESW-B18D39AX-R66		
7-1/2	7-1/2	15	-	05	15 - 23	120	PESW-B25D15EX-R67	\$223	PESW-B25D15AX-R67	\$276	
						208-240	PESW-B25V24EX-R67		PESW-B25V24AX-R67		
						480	PESW-B25D39EX-R67		PESW-B25D39AX-R67		
10	10	20	25	06	22 - 32	120	PESW-B32D15EX-R68	\$262	PESW-B32D15AX-R68	\$298	
						208-240	PESW-B32V24EX-R68		PESW-B32V24AX-R68		
						480	PESW-B32D39EX-R68		PESW-B32D39AX-R68		
10	10	25	25	06	25-40	120	PESW-B38D15EX-R69	\$321	PESW-B38D15AX-R69	\$345	
						208-240	PESW-B38V24EX-R69		PESW-B38V24AX-R69		
						480	PESW-B38D39EX-R69		PESW-B38D39AX-R69		

continued on next page

## PESW

### PESW Series - Non-combination Across the line starter - continued Three-Phase Enclosure Type - 4X

Max. UL Horsepower				Box	Setting Range	Coil Voltage	RESET only		START/STOP + RESET		Multiplier
200V	230V	460V	575V				Catalog Number	List Price	Catalog Number	List Price	
10	15	25	-	06	25 - 40	120	PESW-40V18EX-R35	\$321	PESW-40V18AX-R35	\$345	Z3
						208-240	PESW-40V24EX-R35		PESW-40V24AX-R35		
						480	PESW-40V47EX-R35		PESW-40V47AX-R35		
15	15	30	40	08	32 - 50	120	PESW-50V18EX-R38	\$564	PESW-50V18AX-R38	\$579	
						208-240	PESW-50V24EX-R38		PESW-50V24AX-R38		
						480	PESW-50V47EX-R38		PESW-50V47AX-R38		
20	20	40	50	08	40 - 57	120	PESW-65V18EX-R39	\$589	PESW-65V18AX-R39	\$604	
						208-240	PESW-65V24EX-R39		PESW-65V24AX-R39		
						480	PESW-65V47EX-R39		PESW-65V47AX-R39		
-	25	50	60	08	57 - 70	120	PESW-80V18EX-R41	\$635	PESW-80V18AX-R41	\$650	
						208-240	PESW-80V24EX-R41		PESW-80V24AX-R41		
						480	PESW-80V47EX-R41		PESW-80V47AX-R41		
25	30	60	75	10	63 - 80	120	PESW-95V18EX-R43	\$1,085	PESW-95V18AX-R43	\$1,100	
						208-240	PESW-95V24EX-R43		PESW-95V24AX-R43		
						480	PESW-95V47EX-R43		PESW-95V47AX-R43		
30	-	75	-	10	75 - 97	120	PESW-105V18EX-R44	\$1,184	PESW-105V18AX-R44	\$1,199	
						208-240	PESW-105V24EX-R44		PESW-105V24AX-R44		
						480	PESW-105V47EX-R44		PESW-105V47AX-R44		
-	40	-	-	10	90 - 112	120	PESW-105V18EX-R45	\$1,184	PESW-105V18AX-R45	\$1,199	
						208-240	PESW-105V24EX-R45		PESW-105V24AX-R45		
						480	PESW-105V47EX-R45		PESW-105V47AX-R45		

**Notes:**

- 1) OLR must be set @115% of FLA
- 2) 3-phase starters with 120V coil are wired for separate control
- 3) 3-phase starters can be wired for single-phase applications (see diagram)

### PESW Series - Non-combination Across the line starter Single Phase- Enclosure Type-4X




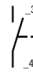
Max. UL Horsepower		Box	Setting Range	Coil Voltage	RESET only		START/STOP + RESET		Multiplier
115V	230V				Catalog Number	List Price	Catalog Number	List Price	
1/8	1/3	04	2.8 - 4.0	120	PESWS-B9D15EX-RM60	\$140	PESWS-B9D15AX-RM60	\$155	Z3
				208-240	PESWS-B9V24EX-RM60		PESWS-B9V24AX-RM60		
1/4	1/2	04	4.0 - 6.3	120	PESWS-B9D15EX-RM61	\$140	PESWS-B9D15AX-RM61	\$155	
				208-240	PESWS-B9V24EX-RM61		PESWS-B9V24AX-RM61		
1/3	1	04	5.6 - 8.0	120	PESWS-B9D15EX-RM62	\$140	PESWS-B9D15AX-RM62	\$155	
				208-240	PESWS-B9V24EX-RM62		PESWS-B9V24AX-RM62		
1/2	1	04	7.0 - 10	120	PESWS-B9D15EX-RM63	\$140	PESWS-B9D15AX-RM63	\$155	
				208-240	PESWS-B9V24EX-RM63		PESWS-B9V24AX-RM63		
1/2	1-1/2	04	8.0 - 12.5	120	PESWS-B12D15EX-RM64	\$140	PESWS-B12D15AX-RM64	\$155	
				208-240	PESWS-B12V24EX-RM64		PESWS-B12V24AX-RM64		
3/4	2	04	10 - 15	120	PESWS-B18D15EX-RM65	\$161	PESWS-B18D15AX-RM65	\$170	
				208-240	PESWS-B18V24EX-RM65		PESWS-B18V24AX-RM65		
1	2	04	11 - 17	120	PESWS-B18D15EX-RM66	\$170	PESWS-B18D15AX-RM66	\$182	
				208-240	PESWS-B18V24EX-RM66		PESWS-B18V24AX-RM66		
1-1/2	3	04	15 - 23	120	PESWS-B25D15EX-RM67	\$180	PESWS-B25D15AX-RM67	\$195	
				208-240	PESWS-B25V24EX-RM67		PESWS-B25V24AX-RM67		
2	5	04	22 - 32	120	PESWS-B32D15EX-RM68	\$180	PESWS-B32D15AX-RM68	\$195	
				208-240	PESWS-B32V24EX-RM68		PESWS-B32V24AX-RM68		
3	7-1/2	04	32-40	120	PESWS-B38D15EX-RM69	\$274	PESWS-B38D15AX-RM69	\$300	
				208-240	PESWS-B38V24EX-RM69		PESWS-B38V24AX-RM69		
3	7-1/2	06	25 - 40	120	PESWS-40V18EX-RM35	\$274	PESWS-40V18AX-RM35	\$300	
				208-240	PESWS-40V24EX-RM35		PESWS-40V24AX-RM35		
3	7-1/2	08	32 - 50	120	PESWS-50V18EX-RM38	\$430	PESWS-50V18AX-RM38	\$440	
				208-240	PESWS-50V24EX-RM38		PESWS-50V24AX-RM38		

Note: OLR must be set at 115% of motor FLA

### Accessories - Mounting in Control Stations

#### Contact Block<sup>1</sup>

Replacement Base Mount Contact Blocks for PESWS(B) 9-38

 0.015 kg <sup>3</sup>	Description	Contacts	Diagram	Standard packing	Catalog Number	Price	Multiplier
	Single contact blocks to mounting in control stations or DIN rail 35 mm	1NO		1 piece	BC10B-CSW	\$5.00	25

## CFW08 Wash

The WEG CFW08 WASH Series is a redesign of our successful uline VFDs. Engineering improvements have produced one of the most compact and full featured microdrives in the marketplace.

Outstanding features and options in a NEMA 4 enclosure allow the CFW08 WASH to be successfully used in a large variety of applications.



### Standard Features

- Same programming as other WEG VFD's
- V/Hz and Sensorless Vector Control
- NEMA 4X(IP56) Enclosure
- Single and Three-phase input voltage
- 200-240V, 380-480V or 500-600 input voltage
- 150% current overload capacity
- 16 bit DSP controlled PWM output
- 2.5 / 5 / 10 / 15 kHz adjustable switching frequency
- Four isolated programmable digital inputs
- Two programmable relay outputs (1NO, 1NC, 240vac 0.5A)
- Two isolated programmable analog inputs (0-10V, 0/4-20mA)
- Protective features: Over current, motor overload, drive over temperature, output phase-to-phase and phase-to-ground short circuit, DC bus over and under voltage and external fault
- Control features: Linear and "S" ramp acceleration and deceleration, local/remote control, DC braking, torque boost, motor slip compensation, electronic pot, preset speeds, adjustable V/Hz profile, maximum and minimum adjustable frequency limits, two skip frequencies, adjustable output current limit, JOG, ride-thru, flying start and PID regulator.
- Display readings: Motor speed, frequency, voltage, current, last fault, heatsink temperature and drive status
- Ambient: 32°F (0°C) to 104°F (40°C), 3300ft (1000m) altitude, 90% humidity, non-condensing
- SuperDrive (G1) compatible

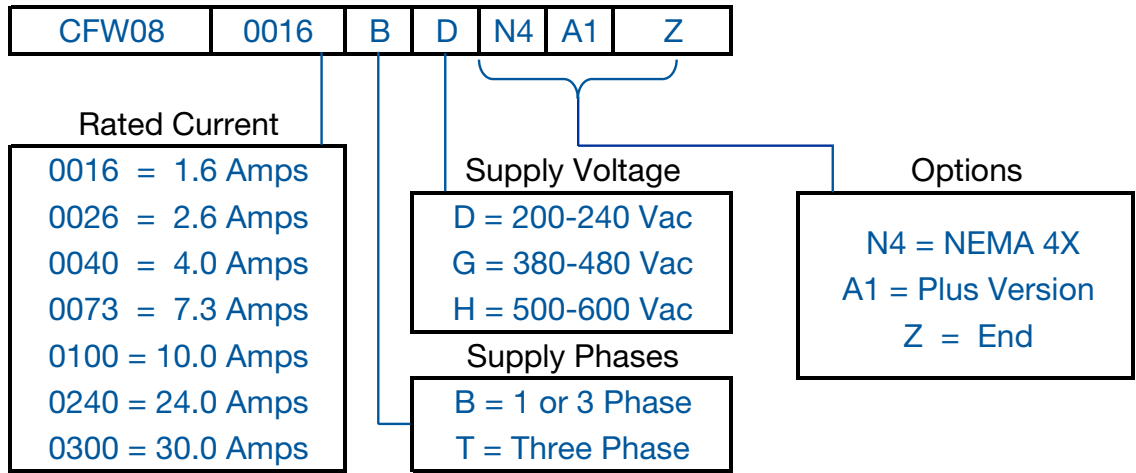
### Applications NEMA 4X

- Pumps
- Fans
- Blowers
- Conveyors
- Rollout tables
- Agitators
- Mixers
- Any washdown applications

### Optional Features

- Dynamic Braking Resistors available
- Remote Keypad with Copy Function
- RS-232 or RS-485 Serial Interface
- Modbus Communication\*
- DIN rail mounting through 2HP  
\*Requires optional RS-232 or RS-485 Interface

### CFW08 WASH Catalog Number Sequence



*Table intended as reference only and not to create part numbers.*

## CFW08 Wash

### Wash Down - NEMA 4X Enclosure

Motor Voltage	Motor HP <sup>1</sup>	Drive Amps <sup>2</sup>	Catalog Number	Braking Transistor	Frame Size	Dimensions (in.) HxWxD	Approx. Weight (lbs.)	List Price	Multiplier
230 Vac	<b>Input Power Supply: Single or Three-Phase 200-240 Vac</b>								
	2	7.3	<a href="#">CFW080073BDN4A1Z</a>	Yes	A	10.4 x 6.5 x 8.5	5	<b>\$929</b>	V1
	3	10.0	<a href="#">CFW080100BDN4A1Z</a>	Yes	A	10.4 x 6.5 x 8.5	5	<b>\$1,039</b>	V1
	<b>Input Power Supply: Three-Phase 230 Vac</b>								
	5	16	<a href="#">CFW080160TDN4A1Z</a>	Yes	A	10.4 x 6.5 x 8.5	5	<b>\$1,228</b>	V1
	7 1/2	22	<a href="#">CFW080220TDN4A1Z</a>	Yes	B	13.4 x 8.5 x 8.5	18	<b>\$1,769</b>	V1
	10	28	<a href="#">CFW080280TDN4A1Z</a>	Yes	B	13.4 x 8.5 x 8.5	18	<b>\$2,266</b>	V1
460 Vac	<b>Input Power Supply: Three-Phase 380-480 Vac</b>								
	1	2.7	<a href="#">CFW080027TGN4A1Z</a>	Yes	A	10.4 x 6.5 x 8.5	5	<b>\$894</b>	V1
	2	4.3	<a href="#">CFW080043TGN4A1Z</a>	Yes	A	10.4 x 6.5 x 8.5	5	<b>\$1,118</b>	V1
	3	6.5	<a href="#">CFW080065TGN4A1Z</a>	Yes	A	10.4 x 6.5 x 8.5	5	<b>\$1,331</b>	V1
	5	10	<a href="#">CFW080100TGN4A1Z</a>	Yes	A	10.4 x 6.5 x 8.5	5	<b>\$1,516</b>	V1
	7 1/2	13	<a href="#">CFW080130TGN4A1Z</a>	Yes	B	13.4 x 8.5 x 8.5	18	<b>\$1,856</b>	V1
	10	16	<a href="#">CFW080160TGN4A1Z</a>	Yes	B	13.4 x 8.5 x 8.5	18	<b>\$2,144</b>	V1
	15	24	<a href="#">CFW080240TGN4A1Z</a>	Yes	B	13.4 x 8.5 x 8.5	18	<b>\$2,876</b>	V1
20	30	<a href="#">CFW080300TGN4A1Z</a>	Yes	B	13.4 x 8.5 x 8.5	18	<b>\$3,474</b>	V1	
575 Vac <sup>3</sup>	<b>Input Power Supply: Three-Phase 500-600 Vac</b>								
	1	1.7	<a href="#">CFW080017THN4A1Z</a>	Yes	B	13.4 x 8.5 x 8.5	18	<b>\$1,259</b>	V1
	2	3.0	<a href="#">CFW080030THN4A1Z</a>	Yes	B	13.4 x 8.5 x 8.5	18	<b>\$1,421</b>	V1
	3	4.3	<a href="#">CFW080043THN4A1Z</a>	Yes	B	13.4 x 8.5 x 8.5	18	<b>\$1,485</b>	V1
	5	7.0	<a href="#">CFW080070THN4A1Z</a>	Yes	B	13.4 x 8.5 x 8.5	18	<b>\$1,767</b>	V1
	7 1/2	10	<a href="#">CFW080100THN4A1Z</a>	Yes	B	13.4 x 8.5 x 8.5	18	<b>\$2,077</b>	V1
	10	12	<a href="#">CFW080120THN4A1Z</a>	Yes	B	13.4 x 8.5 x 8.5	18	<b>\$2,388</b>	V1

**Notes:**

- 1) "HP" rating based on "average FLA values". Use as a guide only.
  - 2) Motor FLA may vary with speed and manufacturer. ALWAYS compare motor FLA to Nominal AMPS of drive.
  - 3) All 575V drives are non-stocked items. Consult WEG for availability.
- For other technical data please refer to WEG product manual.

### Options and Accessories

Type	Catalog Number	Description	List Price	Multiplier
Keypad	<b>HMI-CFW08-RS</b>	NEMA12 Remote Keypad (requires MIS-CFW08-RS & cable)	\$135	V1
	<b>MIS-CFW08-RS</b>	Remote Keypad Interface	\$64	V1
	<b>TCL-CFW08</b>	Keypad Cover	\$13	V1
	<b>CAB-RS-1</b>	3.3 ft (1m) Remote Keypad Cable	\$23	V1
	<b>CAB-RS-2</b>	6.6 ft (2m) Remote Keypad Cable	\$31	V1
	<b>CAB-RS-3</b>	9.9 ft (3m) Remote Keypad Cable	\$41	V1
	<b>CAB-RS-5</b>	16 ft (3m) Remote Keypad Cable	\$51	V1
	<b>CAB-RS-7.5</b>	25 ft (7.5m) Remote Keypad Cable	\$62	V1
	<b>CAB-RS-10</b>	33 ft (10m) Remote Keypad Cable	\$72	V1
I/O	<b>KAC-120-CFW08</b>	120VAC Digital Input Adaptor Board (4 inputs)	\$145	V1
Communication	<b>KCS-CFW08</b>	RS-232 Serial Comm. Module (mounted in place of keypad)	\$97	V1
	<b>MIW-02</b>	RS-232/485 Converter (mounted externally)	\$221	V1
	<b>KSD-CFW08</b>	PC Communication Kit	\$124	V1
	<b>KRS-485-CFW08</b>	Interface for RS-485 Communication	\$186	V1
DC Power Supply	<b>KDC-24V-CFW08</b>	24VDC power supply with standard CFW08 HMI integrated	\$177	V1
	<b>KDC-24VR-CFW08</b>	24VDC power supply with interface for remote keypad	\$211	V1
Remote Oper. Station	<b>CSW-SP3PBS</b>	Remote Operator Station-includes 22mm Start PB, Stop PB, 1-NC and 1-NO contact block, 5k-ohm Potentiometer and legends (replaces CFW-REM)	\$460	Z5
	<b>CSW30-SP3PBS</b>	Remote Operator Station-includes 30mm Start PB, Stop PB, 1-NC and 1-NO contact block, 5k-ohm Potentiometer and legends (replaces CFW-REM)	\$535	Z5



## CFW08 Wash

### Dynamic Braking Resistors for CFW08 WASH

10% Duty Cycle

Motor Voltage	Motor HP <sup>1</sup>	CFW08 Catalog Number	WEG DB Resistor Catalog Number <sup>2</sup>	Ohms	Watts	List Price	Multiplier
<b>Input Power Supply: Single or Three-Phase 200-240 Vac</b>							
230 Vac	2	CFW080073BDN4A1Z	<b>CFDB39-224</b>	39	224	<b>\$183</b>	V1
	3	CFW080100BDN4A1Z	<b>CFDB27-298</b>	27	298	<b>\$183</b>	V1
	5	CFW080160TDN4A1Z	<b>CFDB22-373</b>	22	373	<b>\$183</b>	V1
	7 1/2	CFW080220TDN4A1Z	<b>CFDB15-560</b>	15	560	<b>\$319</b>	V1
	10	CFW080280TDN4A1Z	<b>CFDB10-746</b>	10	746	<b>\$319</b>	V1
<b>Input Power Supply: Three-Phase 380-480 Vac</b>							
460 Vac	1	CFW080027TGN1A1Z	<b>CFDB120-298</b>	120	298	<b>\$183</b>	V1
	2	CFW080043TGN1A1Z	<b>CFDB120-298</b>	120	298	<b>\$183</b>	V1
	3	CFW080065TGN1A1Z	<b>CFDB100-224</b>	100	224	<b>\$183</b>	V1
	5	CFW080100TGN1A1Z	<b>CFDB47-746</b>	47	746	<b>\$319</b>	V1
	7 1/2	CFW080130TGN1A1Z	<b>CFDB33-746</b>	33	746	<b>\$319</b>	V1
	10	CFW080160TGN1A1Z	<b>CFDB33-746</b>	33	746	<b>\$319</b>	V1
	15	CFW080240TGN1A1Z	<b>CFDB22-1119</b>	22	1119	<b>\$481</b>	V1
	20	CFW080300TGN1A1Z	<b>CFDB18-1492</b>	18	1492	<b>\$638</b>	V1

**Notes:**

- 1) "HP" rating based on "average FLA values". Use as a guide only.
- 2) Dynamic Braking Resistors are non-stock items. Consult WEG for availability



### Technical Data

<b>Power Supply</b>	Voltage	Single Phase or Three Phase	200-240V (+10%, -15%)
		Three phase	380-480V (+10%, -15%)
	Frequency	50 / 60Hz +/- 2Hz	
	Displacement Power Factor (Cos)	Greater than 0.98	
<b>Enclosure</b>	Degree of Protection	NEMA 4	
<b>Control</b>	Control Modes	Volts per Hertz (Scalar)	
		Sensorless Voltage Vector VVV	
	Power Output	Sinusoidal PWM (Space Vector Modulation)	
		IGBT Transistors	
	Switching Frequency	2.5, 5, 10 or 15kHz	
	Frequency Range	0-300 Hz	
Overload Capacity	150% for 60 seconds, repeatable every 10 min.		
<b>Control Inputs</b>	4 programmable isolated digital inputs, NPN or 24Vdc logic (PNP)		
	2 programmable differential analog inputs; programmable for current or voltage Can be set as DI or as PTC input (0-10V, 4-20mA or 0-20mA)		
<b>Control Outputs</b>	2 programmable relay outputs: One NO (Form A) and one NC (Form B): 240 V / 0.5 A		
	1 Output with independent NO and NC at a same common		
	1 Analog Output; programmable for voltage (0-10V) or current (0-20 mA or 4-20 mA) and with 0.25% linearity error		
<b>Communication</b>	Serial	Optional RS-232 serial interface, RS-485 with external RS-232/485 converter	
	Field Bus	Modbus RTU with external RS-232/485 converter	
<b>Safety</b>	Protections	Motor over current	DC link over voltage
		Motor overload	DC link under voltage
		Output phase-to-phase short circuit	Drive over temperature
		Output phase-to-ground short circuit	External fault
		Programming error	
<b>Ambient</b>	Temperature	32° - 104°F (40°C), up to 122°F (50°C) with 2% / 1.8°F (1°C) output current derating	
	Humidity	5-90% Non Condensing	
	Altitude	0-3300 ft (1000m), up to 13,200 ft (4000m) with 1% output current derating per 330ft (100m) above 3300 ft (1000m).	
<b>Regulatory Conformance</b>	EMC Directive 89 / 336 / EEC	Electromagnetic compatibility – Industrial Environment EMC Emission and Immunity with optional filter	
	ENC61800-3		
	LVD 73/23/EEC	Low Voltage Directive	
	UL 508 C	Power Conversion Equipment	
<b>Special Functions</b>	Linear and “S” ramp accel and decel, local/remote control, FWD/REV selection, DC braking, manual and auto torque boost, motor slip compensation, electronic pot, two skip frequencies, maximum and minimum adjustable frequency limits, adjustable output current, PID Controller		
<b>Keypad</b>	4 digit display, 2 indicator LEDs and 8 keys		
	Readouts for: output frequency (Hz), output current (A), output voltage (V), motor torque (%) in vector mode, DC bus voltage (V), value proportional to frequency (Ex.: RPM), heatsink temperature, fault and status messages		
<b>Mounting</b>	Surface mounting with screws.		

## GTA and AG10

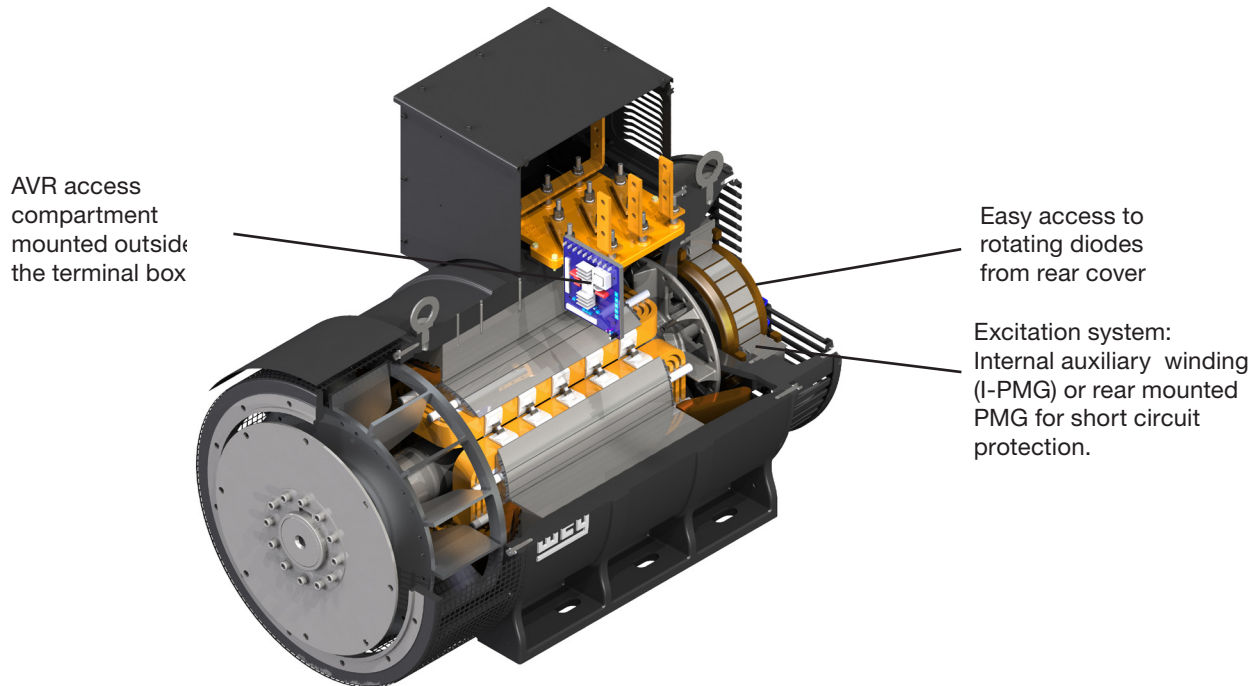
WEG's extensive experience in the manufacturing of alternators has resulted in a range of brushless synchronous alternators that are well suited for agricultural, irrigation and rural, both continuous and standby applications.

### Technical Features:

- Output power: 10 kw and up
- Frames: 160 to 400
- Low voltage: 110 to 690 V
- High voltage: 2,300 to 13,800 V
- Frequency: 50 to 60 Hz
- Degree of protection: IP23
- Insulation class: 180 °C (H) low voltage and 155 °C (F) high voltage
- THD:  $\leq 3\%$
- Number of poles: 4, 6 and 8 poles
- Leads: 12 or 6 leads
- Vacuum Pressure Impregnation (VPI) with harsh environment epoxy winding protection as standard
- Available in single and double bearing configuration



**Double bearing configuration**





Leads	Model	Catalog Reference			480V - Y / 240V - YY				240V				List Price USD
					Three Phase				Connected Single Phase 1.0 PF				
			SAE	ΔT	80°C	105°C	125°C	150°C	80°C	105°C	125°C	150°C	
12	161AIHS	14084460	B3T	kVA	14.6	16.8	18.3	19.6	8.0	9.0	10.0	11.0	\$3,206.00
				kW	11.7	13.4	14.6	15.7	8.0	9.0	10.0	11.0	
12	161AIHS	13960615	4/7.5	kVA	14.6	16.8	18.3	19.6	8.0	9.0	10.0	11.0	\$3,206.00
				kW	11.7	13.4	14.6	15.7	8.0	9.0	10.0	11.0	
12	161AIHI	13943203	4/7.5	kVA	21.0	23.0	26.0	29.0	11.0	13.0	14.3	15.5	\$3,468.00
				kW	17.0	19.0	20.0	23.0	11.0	13.0	14.3	15.5	
12	162AIVD	13943207	4/7.5	kVA	26.0	30.0	42.0	44.0	18.0	21.0	23.1	25.0	\$4,078.00
				kW	21.0	24.0	33.0	35.0	18.0	21.0	23.1	25.0	
12	162AIVD	14076066	4/10	kVA	26.0	30.0	42.0	44.0	18.0	21.0	23.1	25.0	\$4,078.00
				kW	21.0	24.0	33.0	35.0	18.0	21.0	23.1	25.0	
12	162AIVD	14417107	B3T	kVA	26.0	30.0	42.0	44.0	18.0	21.0	23.1	25.0	\$4,078.00
				kW	21.0	24.0	33.0	35.0	18.0	21.0	23.1	25.0	
12	201AIHS	14417163	B3T	kVA	43.4	49.7	54.3	59.5	23.9	27.4	29.9	32.8	\$4,929.00
				kW	34.7	39.8	43.4	47.6	23.9	27.4	29.9	32.8	
12	201AIHV	13943281	3/11.5	kVA	56.0	65.0	71.0	77.0	31.0	35.5	38.8	42.5	\$5,196.00
				kW	45.0	52.0	56.0	62.0	31.0	35.5	38.8	42.5	
12	201AIHV	14417168	4/10	kVA	56.0	65.0	71.0	77.0	31.0	35.5	38.8	42.5	\$5,196.00
				kW	45.0	52.0	56.0	62.0	31.0	35.5	38.8	42.5	
12	201AIHB	14417179	4/10	kVA	68.5	78.5	85.6	92.2	37.7	43.1	47.1	51.6	\$5,821.00
				kW	54.8	62.8	68.5	73.8	37.7	43.1	47.1	51.6	
12	201AIHB	14417194	B3T	kVA	68.5	78.5	85.6	92.2	37.7	43.1	47.1	51.6	\$5,821.00
				kW	54.8	62.8	68.5	73.8	37.7	43.1	47.1	51.6	
12	201AIHE	13943282	3/11.5	kVA	66.0	76.0	88.0	95.0	38.7	44.4	48.4	53.0	\$5,959.00
				kW	53.0	60.0	70.0	76.0	38.7	44.4	48.4	53.0	
12	202AIVS	13943283	3/11.5	kVA	88.0	101.0	110.0	116.0	48.0	55.0	59.0	65.0	\$6,444.00
				kW	70.4	80.8	88.0	92.8	48.0	55.0	59.0	65.0	
12	202AIVS	14417226	B3T	kVA	88.0	101.0	110.0	116.0	48.0	55.0	59.0	65.0	\$6,444.00
				kW	70.4	80.8	88.0	92.8	48.0	55.0	59.0	65.0	
12	202AIVJ	13943284	3/11.5	kVA	107.2	122.8	141.0	144.0	62.0	71.1	77.5	85.0	\$7,379.00
				kW	85.8	98.2	112.8	115.2	62.0	71.1	77.5	85.0	
12	202AIVJ	14417242	B3T	kVA	107.2	122.8	141.0	144.0	62.0	71.1	77.5	85.0	\$7,379.00
				kW	85.8	98.2	112.8	115.2	62.0	71.1	77.5	85.0	
12	251AIHD	13943285	3/11.5	kVA	140	161	175	188	77	88	96	105	\$8,393.00
				kW	112	129	140	150	77	88	96	105	
12	251AIHD	14417252	B3T	kVA	140	161	175	188	77	88	96	105	\$8,393.00
				kW	112	129	140	150	77	88	96	105	
12	251AIHE	13943286	3/11.5	kVA	180	206	225	243	99	113	124	135	\$9,821.00
				kW	144	165	180	194	99	113	124	135	

continued on next page

## GTA and AG10

Leads	Model	Catalog Reference	SAE		480V - Y / 240V - YY				240V				List Price USD	
					Three Phase				Connected Single Phase 1.0 PF					
					80°C	105°C	125°C	150°C	80°C	105°C	125°C	150°C		
AG10	12	250SI50AI	13943287	1/14	kVA	208	238	260	290	108	125	135	144	\$10,735.00
					kW	166	191	208	232	108	125	135	144	
	12	250MI60AI	13943309	1/14	kVA	250	288	312	345	135	155	169	182	\$11,598.00
					kW	200	230	250	276	135	155	169	182	
	12	250MI70AI	13943310	1/14	kVA	292	335	365	400	148	169	188	200	\$13,393.00
					kW	234	268	292	320	148	169	188	200	
	12	250MI80AI	13943311	1/14	kVA	324	371	405	460	174	199	218	238	\$14,250.00
					kW	259	297	324	368	174	199	218	238	
	12	280MI50AI	14092871	1/14	kVA	378	440	472	517	203	233	254	275	\$15,520.00
					kW	302	352	378	414	203	233	254	275	
	12	280MI60AI	13943312	1/14	kVA	412	472	515	550	219	254	274	297	\$17,218.00
					kW	330	378	412	440	219	254	274	297	
	12	315MI50AI	13943315	1/14	kVA	520	596	650	700	277	325	346	372	\$19,586.00
					kW	416	477	520	560	277	325	346	372	
	12	315MI60AI	13943314	1/14	kVA	570	650	710	780	306	349	381	419	\$21,964.00
					kW	456	520	568	624	306	349	381	419	
	12	315MI70AI	14092872	1/14	kVA	642	736	803	875	346	404	433	469	\$24,394.00
					kW	514	589	642	700	346	404	433	469	
12	315LI90AI	14092873	1/14	kVA	832	953	1040	1100	443	508	554	589	\$32,684.00	
				kW	666	763	832	880	443	508	554	589		
12	355MI65AI	14416985	0/18	kVA	1000	1146	1250	1310	-	-	-	-	\$39,214.00	
				kW	800	917	1000	1048	-	-	-	-		
12	355MI70AI	13943317	0/18	kVA	1120	1283	1400	1450	-	-	-	-	\$44,643.00	
				kW	896	1026	1120	1160	-	-	-	-		

Please refer to back cover for description of "NOTES"

For detailed specifications, data sheets, drawings and performance curves visit <http://www.weg.net>





- Models in blue text are NEMA Premium Efficiency

## Catalog Notes

1	1.0 Service Factor	31	Rating is suitable for 1.0SF @ 50Hz. Also suitable for next lower HP @ 1.15SF 50Hz
2	Aluminum Frame with Removable Feet	32	Suitable for 1.15SF @ 50°C ambient
3	Automatic Reset Thermal Overload Protector	33	Suitable for 380V 60Hz when wired as YY (double WYE)
4	Manual Reset Thermal Overload Protector	34	AEGIS® Inside
5	CCW Rotation Viewed from Shaft End - Non Reversible	35	AEGIS® ring installation reduces the available "N-W" length
6	Compressor Duty	36	Super Premium
7	F2 Mount	37	Design A
8	F3 Mount	38	TEAO - Totally Enclosed Air Over
9	Rolled Steel Frame - Cannot be modified with T Box on opposite side	39	Cannot be modified with T Box on opposite side
10	Not Thermally Protected	40	NDE shaft with 3/8" drive socket
11	Metal fan - Not suitable for division 2	41	Also rated 230/460V 50Hz 1.0 SF
12	Reduced Frame	42	Rated 50°C ambient
13	Resilient Base	43	With insulated non drive end housing
14	Roller Bearing	44	With air deflector. Flange MOD not available
15	Round Body - Drip Cover Included	45	Also rated 380V 50Hz
16	Split-Phase Motor	46	56J shaft end with dual opposed threads (7/16-20 UNF-2A R.H and 3/8-16 UNF-2A L.H)
17	TENV - Totally Enclosed Non Ventilated	47	Motor designed with copper bar rotor
18	Z-Frame; Bigger Shaft Diameter and Bearings	48	Motor suitable for safe area only
19	105K Tempature Rise		
20	Round Body - Drip Cover NOT Included		
21	Stainless Steel Body		
22	Two Speed - Double Windings		
23	Two Speed - Single Winding		
24	Modified item. Usually ships in two weeks		
25	Brake rectifier suitable for 230VAC		
26	Brake rectifier suitable for 460VAC		
27	For Export Only (not to be used in the USA) due to Certification and/or Efficiency requirements.		
28	ODP Fan Cooled		
29	Standard Efficiency		
30	High Efficiency (EPACT)		

WEG Electric Corp. has 8 strategically located facilities so there is always a location close to you and ready to ship. WEG can supply the right solution for your needs anywhere in the world. To learn more about WEG's products and solutions or to locate a Distributor near you, please call 1-800-ASK-4WEG or visit [www.weg.net](http://www.weg.net).



**Distributors located in all 50 states**



**Denver, CO**



**Kansas City, KS**



**Chicago, IL**



**Pennsylvania**



**Seattle, WA**



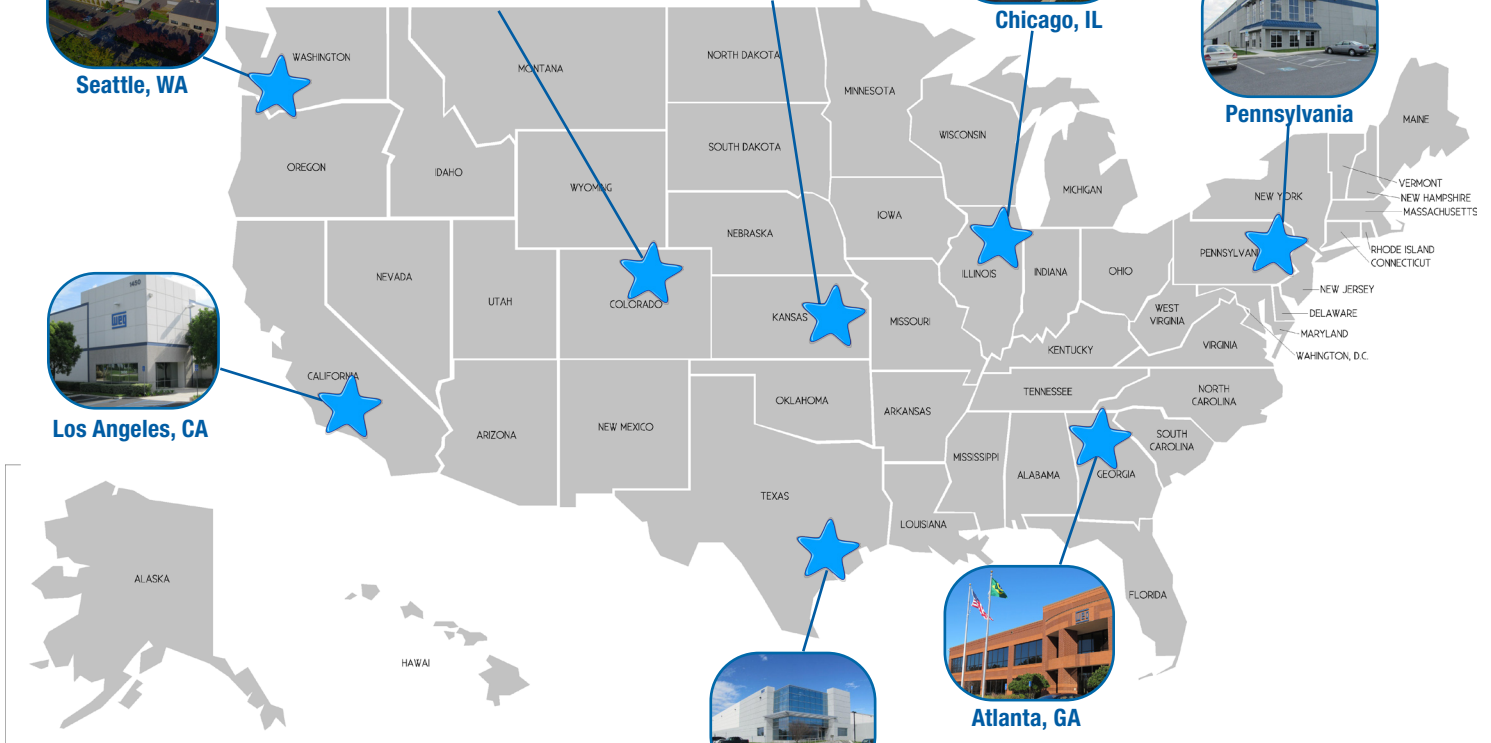
**Los Angeles, CA**



**Houston, TX**



**Atlanta, GA**



 WEG Electric Corp.  
6655 Sugarloaf Parkway  
Duluth, GA 30097  
Phone: 1-800-ASK-4WEG  
[www.weg.net](http://www.weg.net)

**Please contact your authorized distributor:**