

# DATA SHEET



## Three Phase Induction Motor - Squirrel Cage

Customer :						
Product line	: Rolled Steel Standard Efficiency Three-Phase	Product code :	12894805	Catalog # :	.7536ES3H56CFL-S	
Frame	: 56C	Locked rotor time	: 41s (cold) 23s (hot)	Output	: 0.75 HP (0.550 kW)	
Poles	: 2	Temperature rise	: 80 K	Rated voltage	: 575 V	
Frequency	: 60 Hz	Duty cycle	: Cont.(S1)	Rated current	: 0.904 A	
L. R. Amperes	: 6.33 A	Ambient temperature	: -20°C to +40°C	L. R. Amperes	: 6.33 A	
LRC	: 7.0x(Code K)	Altitude	: 1000 m.a.s.l.	LRC	: 7.0x(Code K)	
No load current	: 0.440 A	Protection degree	: IP55	No load current	: 0.440 A	
Rated speed	: 3475 rpm	Cooling method	: IC411 - TEFC	Rated speed	: 3475 rpm	
Slip	: 3.47 %	Mounting	: F-1	Slip	: 3.47 %	
Rated torque	: 1.13 ft.lb	Rotation <sup>1</sup>	: Both (CW and CCW)	Rated torque	: 1.13 ft.lb	
Locked rotor torque	: 250 %	Noise level <sup>2</sup>	: 68.0 dB(A)	Locked rotor torque	: 250 %	
Breakdown torque	: 290 %	Starting method	: Direct On Line	Breakdown torque	: 290 %	
Insulation class	: F	Approx. weight <sup>3</sup>	: 20.3 lb	Insulation class	: F	
Service factor	: 1.15			Service factor	: 1.15	
Moment of inertia (J)	: 0.0517 sq.ft.lb			Moment of inertia (J)	: 0.0517 sq.ft.lb	
Output	25%	50%	75%	100%	Foundation loads	
Efficiency (%)	58.8	62.0	68.0	72.0	Max. traction	: 22 lb
Power Factor	0.45	0.70	0.79	0.85	Max. compression	: 42 lb
Bearing type	:	<u>Drive end</u>	6203 ZZ	<u>Non drive end</u>	6202 ZZ	
Sealing	:	V'Ring		V'Ring		
Lubrication interval	:	-		-		
Lubricant amount	:	-		-		
Lubricant type	:	Mobil Polyrex EM				
Notes						
This revision replaces and cancel the previous one, which must be eliminated. (1) Looking the motor from the shaft end. (2) Measured at 1m and with tolerance of +3dB(A). (3) Approximate weight subject to changes after manufacturing process. (4) At 100% of full load.			These are average values based on tests with sinusoidal power supply, subject to the tolerances stipulated in NEMA MG-1.			
Rev.	Changes Summary			Performed	Checked	Date
Performed by						
Checked by					Page	Revision
Date	01/02/2021				1 / 6	

# TORQUE AND CURRENT VS SPEED CURVE

Three Phase Induction Motor - Squirrel Cage



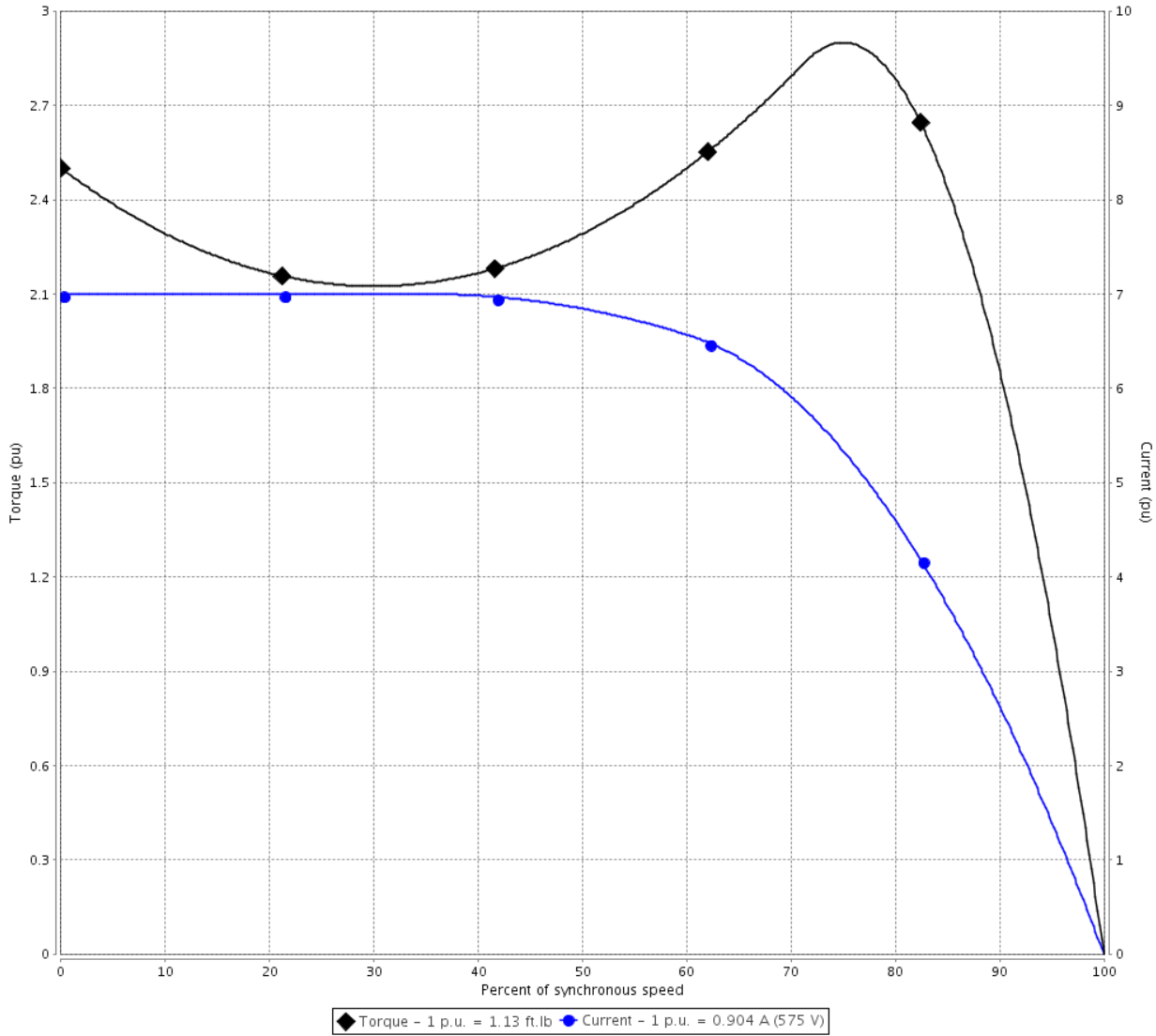
Customer :

Product line : Rolled Steel Standard Efficiency  
Three-Phase

Product code : 12894805

Catalog # : .7536ES3H56CFL-S

TORQUE AND CURRENT VS SPEED CURVE



Performance : 575 V 60 Hz 2P

Rated current	: 0.904 A	Moment of inertia (J)	: 0.0517 sq.ft.lb
LRC	: 7.0	Duty cycle	: Cont.(S1)
Rated torque	: 1.13 ft.lb	Insulation class	: F
Locked rotor torque	: 250 %	Service factor	: 1.15
Breakdown torque	: 290 %	Temperature rise	: 80 K
Rated speed	: 3475 rpm		

Locked rotor time : 41s (cold) 23s (hot)

Rev.	Changes Summary	Performed	Checked	Date
Performed by			Page 2 / 6	Revision
Checked by				
Date	01/02/2021			

# LOAD PERFORMANCE CURVE

## Three Phase Induction Motor - Squirrel Cage

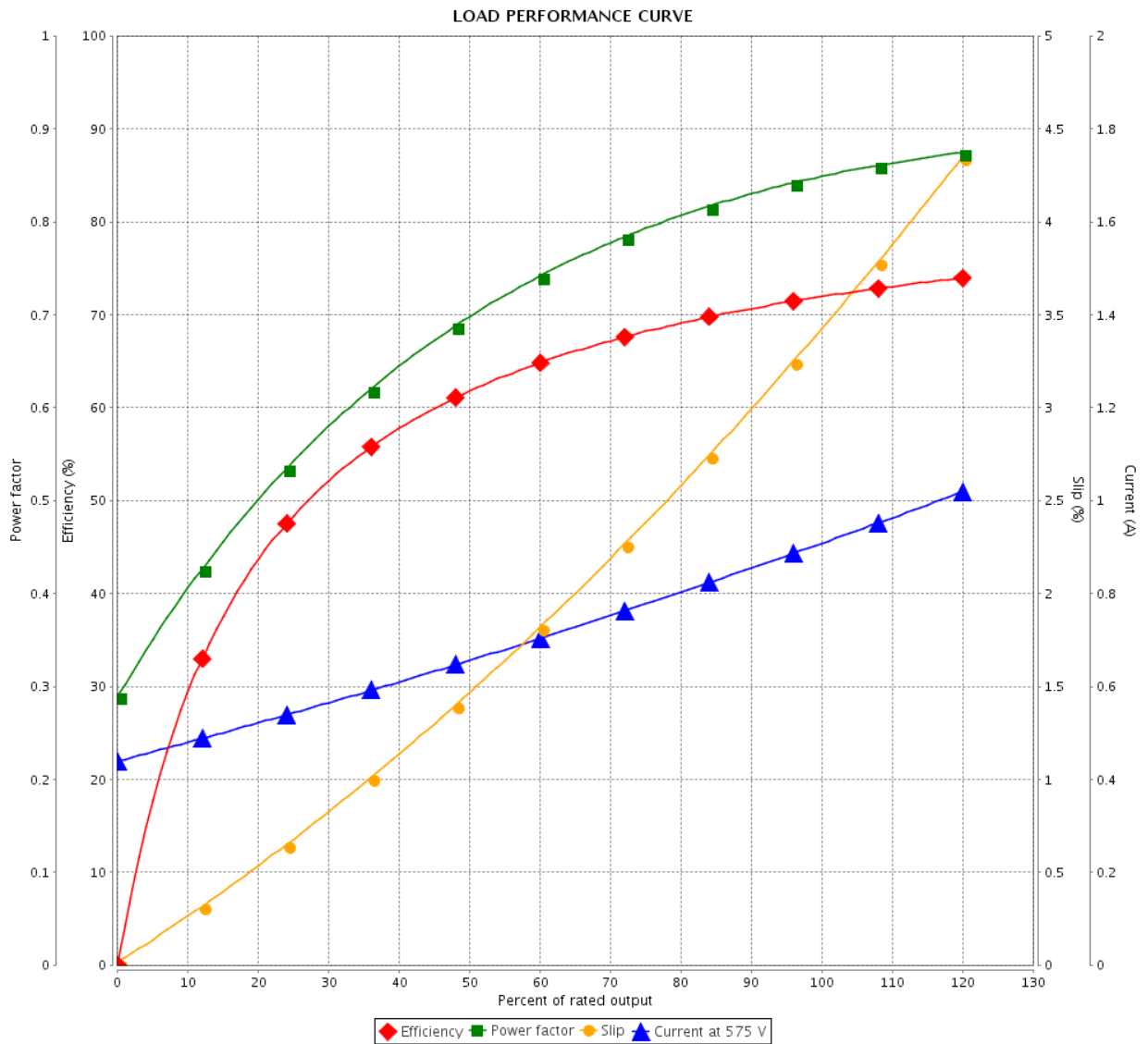


Customer :

Product line : Rolled Steel Standard Efficiency Three-Phase

Product code : 12894805

Catalog # : .7536ES3H56CFL-S



Performance : 575 V 60 Hz 2P

Rated current : 0.904 A  
 LRC : 7.0  
 Rated torque : 1.13 ft.lb  
 Locked rotor torque : 250 %  
 Breakdown torque : 290 %  
 Rated speed : 3475 rpm

Moment of inertia (J) : 0.0517 sq.ft.lb  
 Duty cycle : Cont.(S1)  
 Insulation class : F  
 Service factor : 1.15  
 Temperature rise : 80 K

Rev.	Changes Summary	Performed	Checked	Date
Performed by		Page		Revision
Checked by		3 / 6		
Date		01/02/2021		

# THERMAL LIMIT CURVE



## Three Phase Induction Motor - Squirrel Cage

Customer :

Product line : Rolled Steel Standard Efficiency Three-Phase  
 Product code : 12894805  
 Catalog # : .7536ES3H56CFL-S

Performance : 575 V 60 Hz 2P

Rated current : 0.904 A	Moment of inertia (J) : 0.0517 sq.ft.lb
LRC : 7.0	Duty cycle : Cont.(S1)
Rated torque : 1.13 ft.lb	Insulation class : F
Locked rotor torque : 250 %	Service factor : 1.15
Breakdown torque : 290 %	Temperature rise : 80 K
Rated speed : 3475 rpm	

Heating constant

Cooling constant

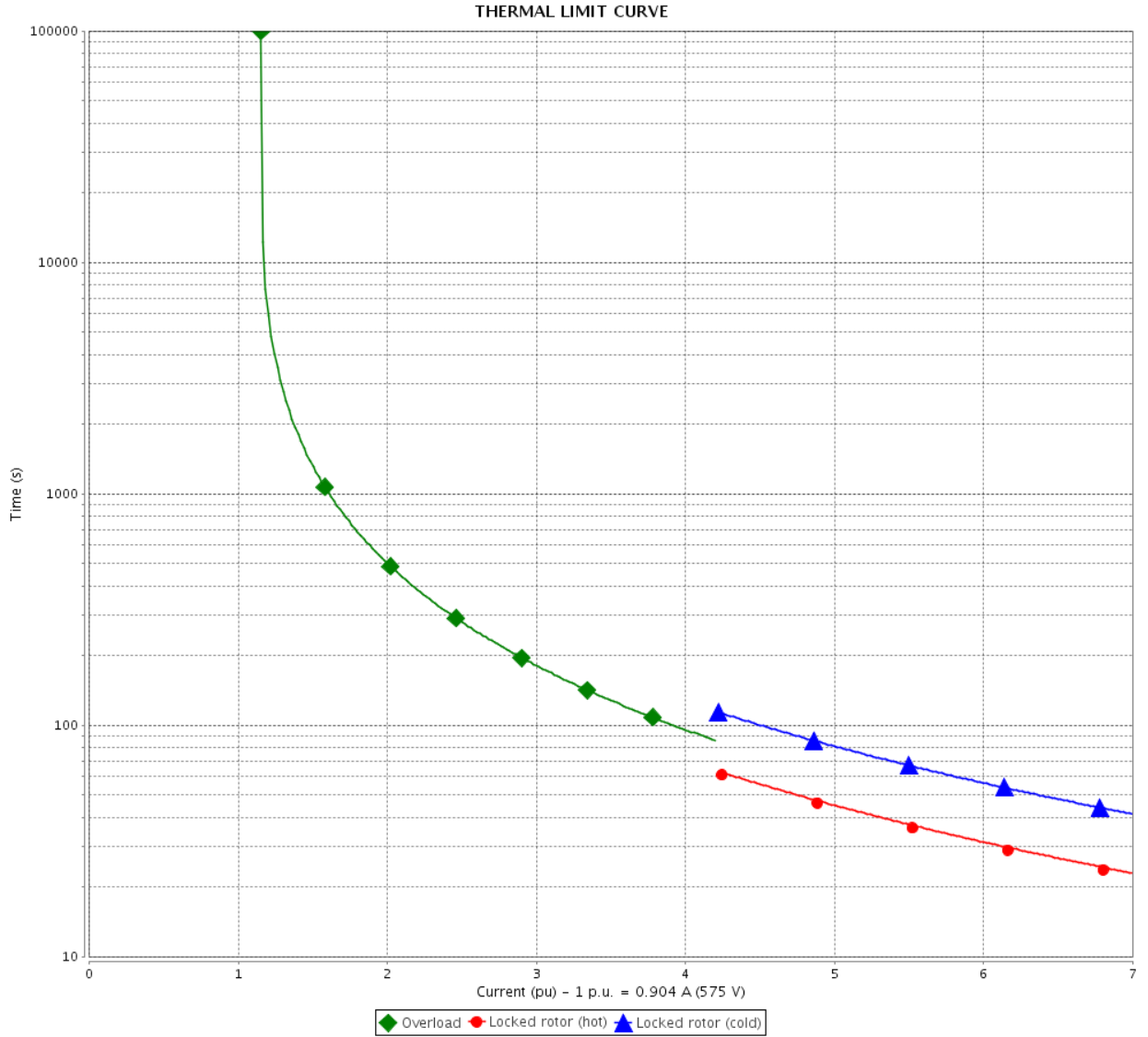
Rev.	Changes Summary	Performed	Checked	Date
Performed by			Page	Revision
Checked by				
Date	01/02/2021			
			4 / 6	

# THERMAL LIMIT CURVE

Three Phase Induction Motor - Squirrel Cage



Customer : \_\_\_\_\_



Rev.	Changes Summary	Performed	Checked	Date
Performed by		Page 5 / 6		Revision
Checked by				
Date				

# VFD OPERATION CURVE

Three Phase Induction Motor - Squirrel Cage

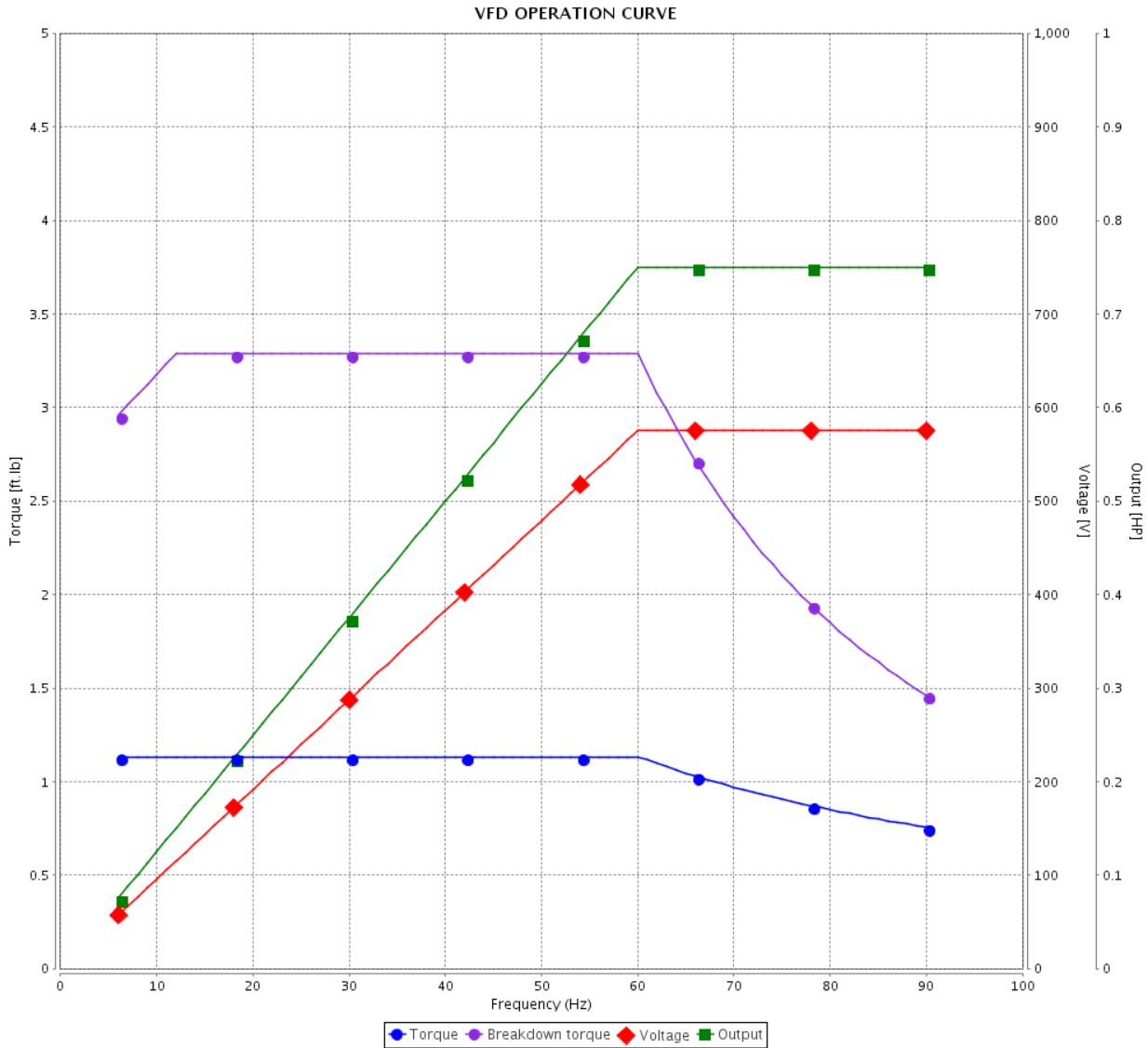


Customer :

Product line : Rolled Steel Standard Efficiency  
Three-Phase

Product code : 12894805

Catalog # : .7536ES3H56CFL-S



Performance : 575 V 60 Hz 2P

Rated current : 0.904 A  
 LRC : 7.0  
 Rated torque : 1.13 ft.lb  
 Locked rotor torque : 250 %  
 Breakdown torque : 290 %  
 Rated speed : 3475 rpm

Moment of inertia (J) : 0.0517 sq.ft.lb  
 Duty cycle : Cont.(S1)  
 Insulation class : F  
 Service factor : 1.15  
 Temperature rise : 80 K

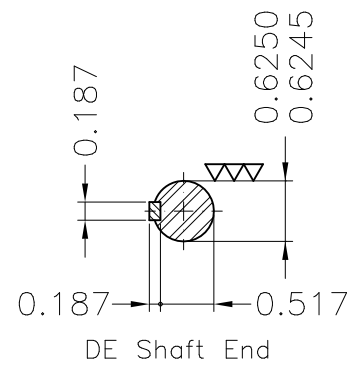
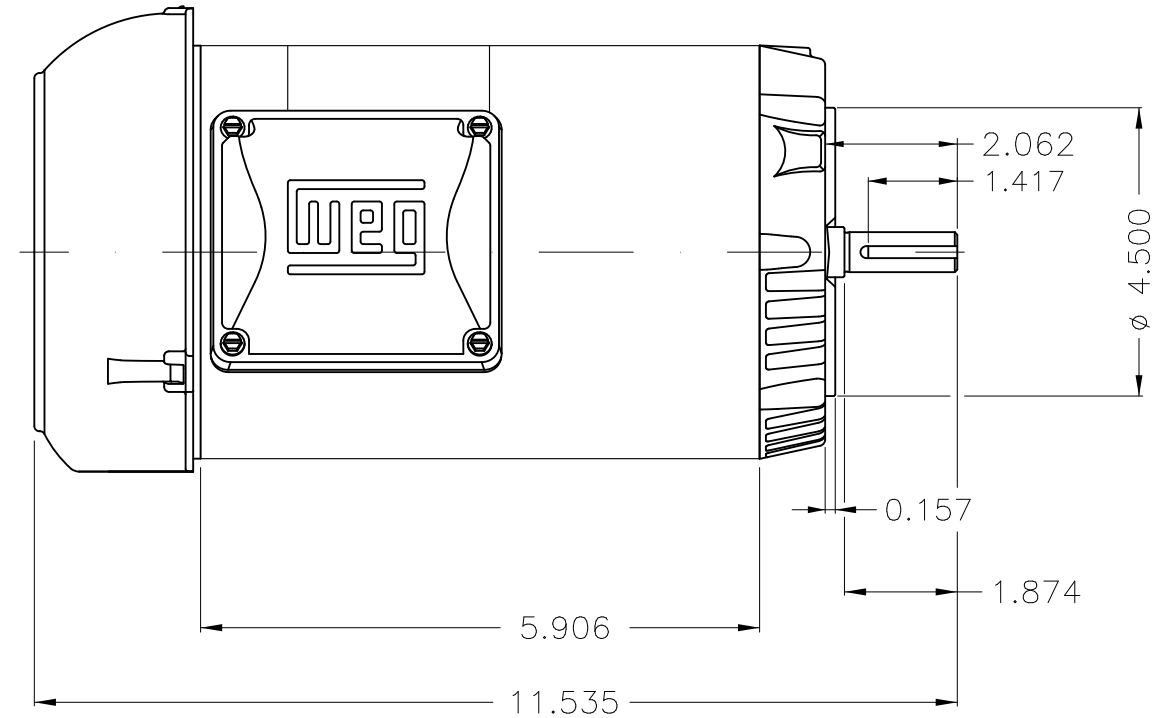
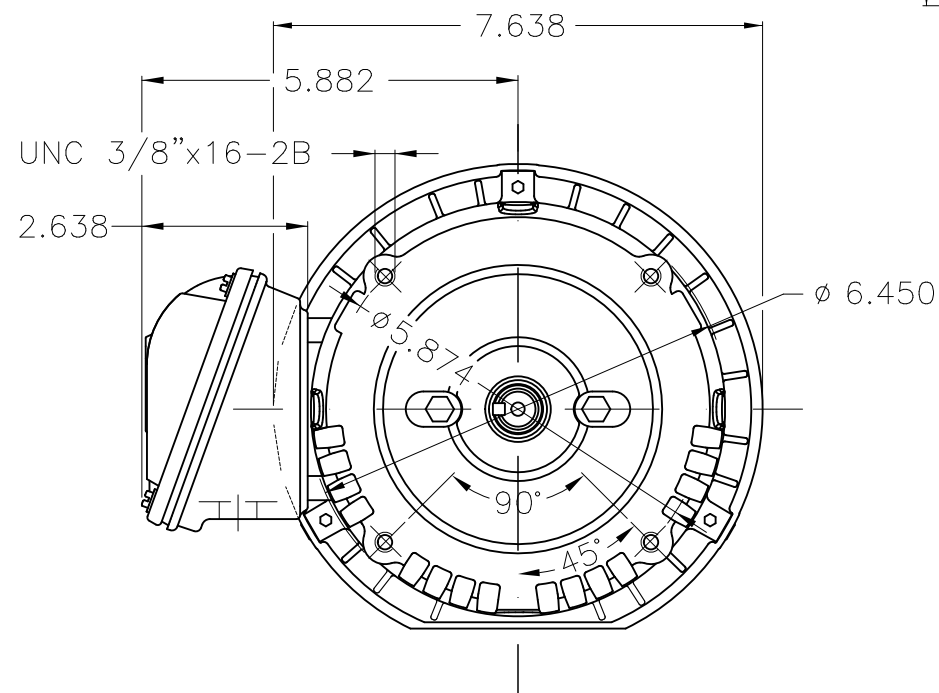
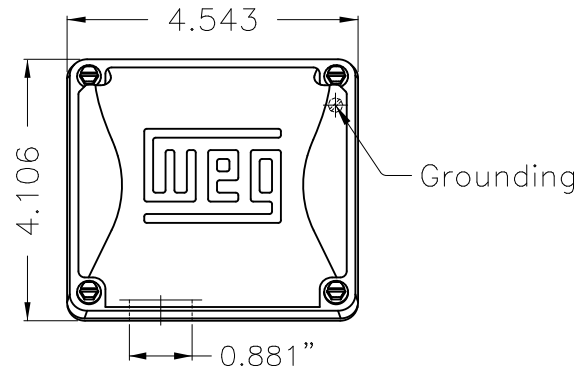
Rev.	Changes Summary	Performed	Checked	Date
Performed by			Page 6 / 6	Revision
Checked by				
Date	01/02/2021			

No reproduction of this drawing is allowed without written permission of WEG Motores

EIXO  
 PADRÃO  
 OPCIONAL  
 ESPECIAL

Dimensões em polegada  
 Dimensions in inches

THIS IS AN UPDATED REVISION, THE PREVIOUS ONE MUST BE DISREGARDED.



Color Munsell N 1 matte black  
 Painting plan 207N  
 Mounting F-1/B14R(D)

ECM	LOC	SUMMARY OF MODIFICATIONS	EXECUTED	CHECKED	RELEASED	DATE	VER
EXECUTED	USERADMIN	THREE PHASE MOTOR CLOSED ROLLED STEEL					
CHECKED		FRAME 56C IP55 TEFC					
RELEASED		WEG code: 12894805					
REL DT	01.02.2021	WMO Jaragua do Sul	Product Engineering	SHEET	1 / 1		

0.75 HP 02 Poles 60Hz

A



ZME A3