

DATA SHEET



Single Phase Induction Motor - Squirrel Cage

Customer :						
Product line		: Rolled Steel 00021 Single-Phase Split Phase		Product code :	15515037	
				Catalog # :	.5018AS1BRBPFW56-S	
Frame	: W56		Locked rotor time	: 7s (cold) 4s (hot)		
Output	: 0.5 HP (0.37 kW)		Temperature rise	: 80 K		
Poles	: 4		Duty cycle	: Cont.(S1)		
Frequency	: 60 Hz		Ambient temperature	: -20°C to +40°C		
Rated voltage	: 115/208-230 V		Altitude	: 1000 m.a.s.l.		
Rated current	: 6.96/3.87-3.48 A		Protection degree	: IP55		
L. R. Amperes	: 52.2/29.0-26.1 A		Cooling method	: IC418 - TEAO		
LRC	: 7.5x(Code N)		Mounting	: F-1		
No load current	: 4.75/3.00-2.38 A		Rotation ¹	: Both (CW and CCW)		
Rated speed	: 1720 rpm		Starting method	: Direct On Line		
Slip	: 4.44 %		Approx. weight ³	: 11.0 kg		
Rated torque	: 0.211 kgfm					
Locked rotor torque	: 130 %					
Breakdown torque	: 220 %					
Insulation class	: F					
Service factor	: 1.25					
Moment of inertia (J)	: 0.0023 kgm ²					
Output	25%	50%	75%	100%	Foundation loads	
Efficiency (%)	0.000	58.0	64.0	66.0	Max. traction : 9 kgf	
Power Factor	0.00	0.52	0.62	0.70	Max. compression : 20 kgf	
		<u>Drive end</u>		<u>Non drive end</u>		
Bearing type	:	6203 ZZ		6202 ZZ		
Sealing	:	V'Ring		Without Bearing Seal		
Lubrication interval	:	0 h		0 h		
Lubricant amount	:	0 g		0 g		
Lubricant type	:	Mobil Polyrex EM				
Notes						
This revision replaces and cancel the previous one, which must be eliminated. (1) Looking the motor from the shaft end. (2) Measured at 1m and with tolerance of +3dB(A). (3) Approximate weight subject to changes after manufacturing process. (4) At 100% of full load.			These are average values based on tests with sinusoidal power supply, subject to the tolerances stipulated in NEMA MG-1.			
Rev.	Changes Summary			Performed	Checked	Date
Performed by						
Checked by					Page	Revision
Date	22/06/2023				1 / 2	

LOAD PERFORMANCE CURVE

Single Phase Induction Motor - Squirrel Cage

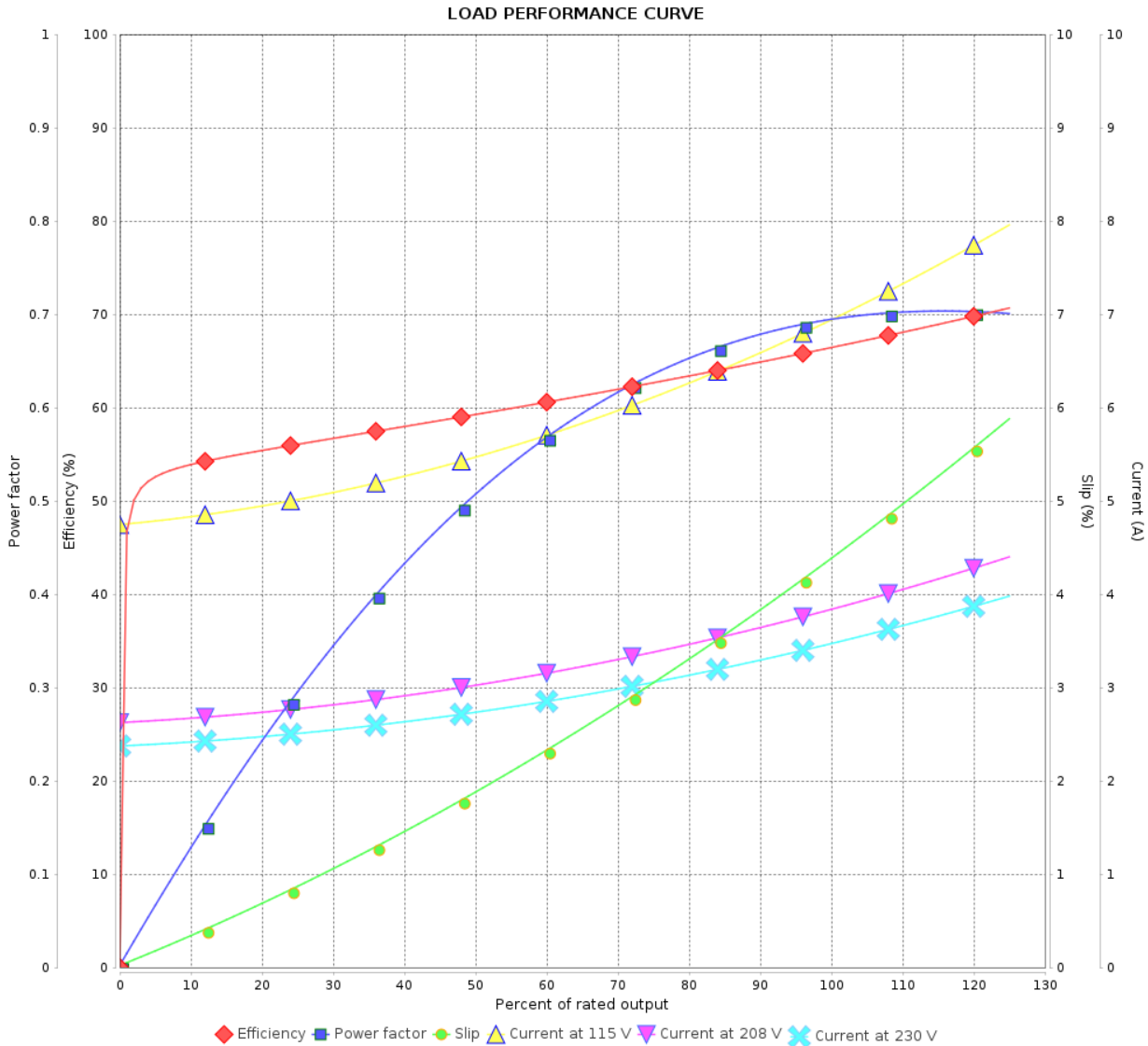


Customer :

Product line : Rolled Steel 00021 Single-Phase Split Phase

Product code : 15515037

Catalog # : .5018AS1BRBPFW56-S



Performance : 115/208-230 V 60 Hz 4P

Rated current : 6.96/3.87-3.48 A
 LRC : 7.5
 Rated torque : 0.211 kgfm
 Locked rotor torque : 130 %
 Breakdown torque : 220 %
 Rated speed : 1720 rpm

Moment of inertia (J) : 0.0023 kgm²
 Duty cycle : Cont.(S1)
 Insulation class : F
 Service factor : 1.25
 Temperature rise : 80 K

Rev.	Changes Summary	Performed	Checked	Date
Performed by			Page 2 / 2	Revision
Checked by				
Date	22/06/2023			

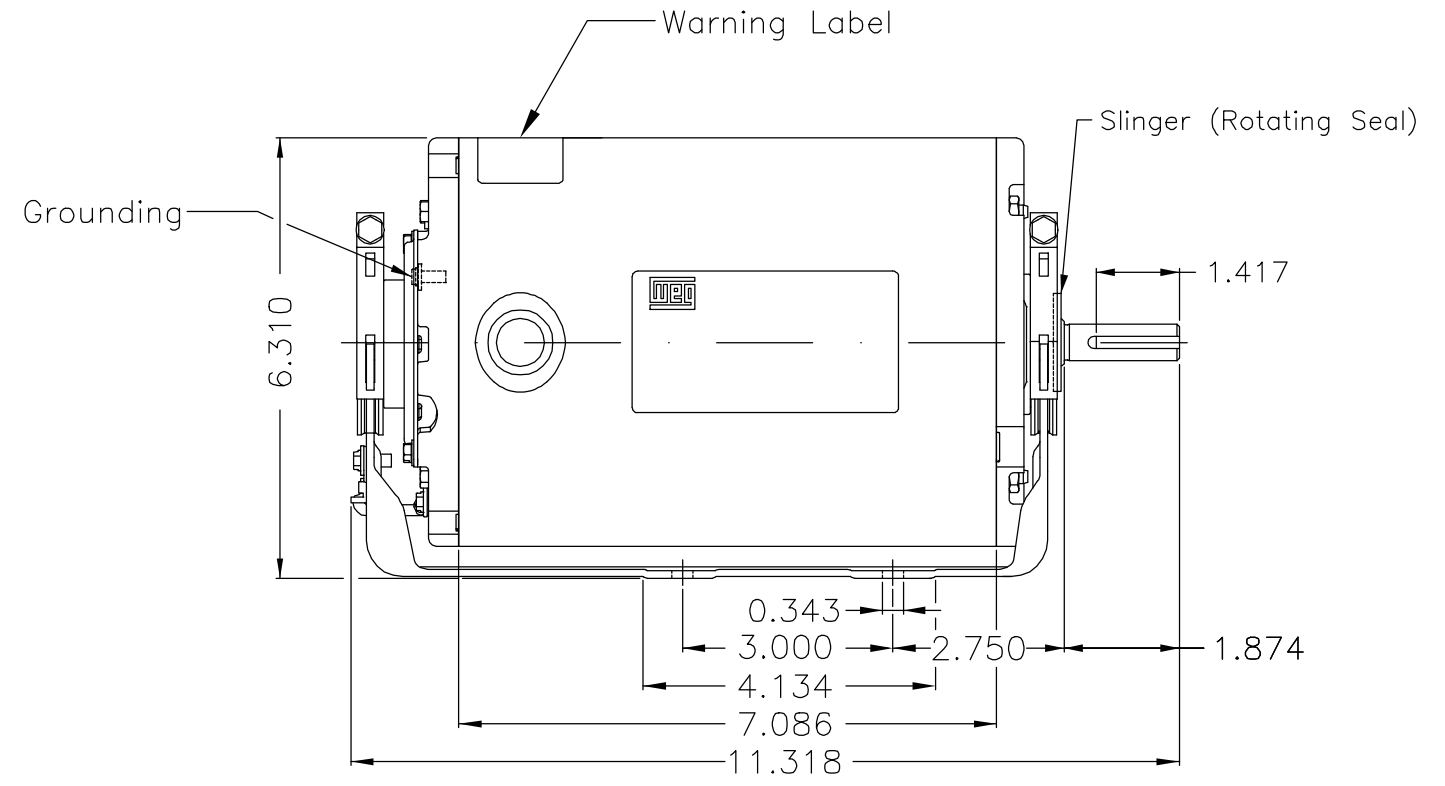
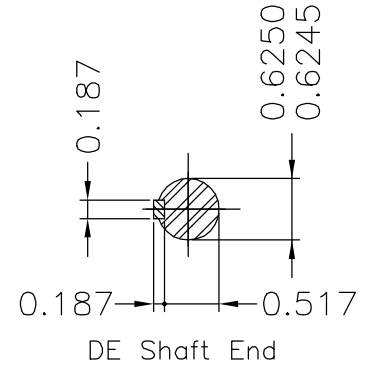
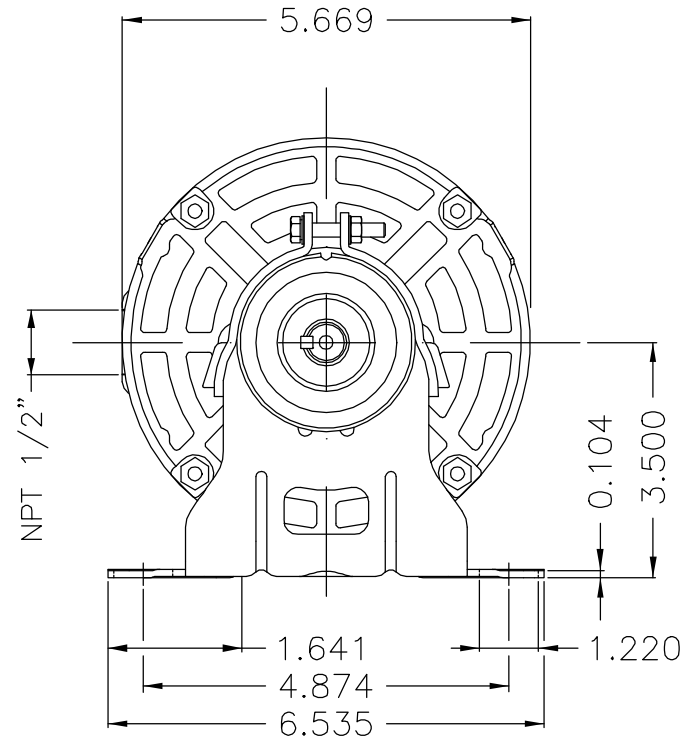
EJE/SHAFT	
ESTÁNDAR/STANDARD	X
OPCIONAL/OPTIONAL	
ESPECIAL/SPECIAL	

Dimensiones en pulgadas
Dimensions in inches

PRELIMINARY DOCUMENT
Not to be used for installation purposes.

THIS IS AN UPDATED REVISION, THE PREVIOUS ONE MUST BE DISREGARDED.

A
B
C
D
E



Indicación de etiqueta de advertencia/Indicating warning label									
Protector térmico fenólico - Automático / Phenolic thermal protector - automatic									
Anillo de goma en la punta del eje / Slinger ring on shaft end									
Color Munsell N 1 negro mate / Color Munsell N 1 matte black									
Plan de pintura 207N / Painting plan 207N									
Forma constructiva B3D / Mounting F-1/B3R(D)									

WEG ELECTRIC CORPORATION - WEC

OV: 50624162

500001803096		CHANGE OF STATUS	EJESUS	ISAAVEDRA	ISAAVEDRA	12.08.2020	02
500001803096		UPDATING ACCORDING TO CLAIM 417429135	EJESUS	HERNANDEZA	HERNANDEZA	12.08.2020	01
ECM	LOC	SUMMARY OF MODIFICATIONS	EXECUTED	CHECKED	RELEASED	DATE	VER
EXECUTED	HERNANDEZA	SINGLE PHASE MOTOR CLOSED ROLLED STEEL FRAME W56 IP55 TEAO	10007696684				
CHECKED	MORALESR		000	02			
RELEASED	MORALESR		SHEET	1 / 1			
REL DT	15.06.2020	WMX	Huehuetoca	Product Engineering			

0.5 HP 04 Poles 60Hz 417346762

UNCONTROLLED COPY
RELEASED
ZME A3