

DATA SHEET



Single Phase Induction Motor - Squirrel Cage

Customer :				
Product line	: Rolled Steel 00021 Single-Phase			
Product code :	15412789			
Catalog # :	00118AS1BPF56-S			
Frame : 56 Output : 1 HP (0.75 kW) Poles : 4 Frequency : 60 Hz Rated voltage : 115/208-230 V Rated current : 13.5/7.52-6.75 A L. R. Amperes : 90.5/50.4-45.2 A LRC : 6.7x(Code M) No load current : 9.60/4.14-4.80 A Rated speed : 1730 rpm Slip : 3.89 % Rated torque : 3.04 ft.lb Locked rotor torque : 280 % Breakdown torque : 270 % Insulation class : F Service factor : 1.15 Design : L	Locked rotor time : 14s (cold) 8s (hot) Temperature rise : 80 K Duty cycle : Cont.(S1) Ambient temperature : -20°C to +40°C Altitude : 1000 m.a.s.l. Protection degree : IP55 Cooling method : IC410 - TEAO Mounting : F-1 Rotation ¹ : Both (CW and CCW) Starting method : Direct On Line Approx. weight ³ : 33.1 lb			
Output	25% 50% 75% 100%			
Efficiency (%)	0.000 62.0 68.0 71.0			
Power Factor	0.00 0.48 0.60 0.68			
Foundation loads				
Max. traction	: 64 lb			
Max. compression	: 97 lb			
Bearing type	: <u>Drive end</u> 6204 ZZ <u>Non drive end</u> 6202 ZZ			
Sealing	: V'Ring Without Bearing Seal			
Lubrication interval	: 0 h 0 h			
Lubricant amount	: 0 g 0 g			
Lubricant type	: Mobil Polyrex EM			
Notes				
This revision replaces and cancel the previous one, which must be eliminated. (1) Looking the motor from the shaft end. (2) Measured at 1m and with tolerance of +3dB(A). (3) Approximate weight subject to changes after manufacturing process. (4) At 100% of full load.				
These are average values based on tests with sinusoidal power supply, subject to the tolerances stipulated in NEMA MG-1.				
Rev.	Changes Summary	Performed	Checked	Date
Performed by				
Checked by			Page	Revision
Date	22/12/2021		1 / 2	

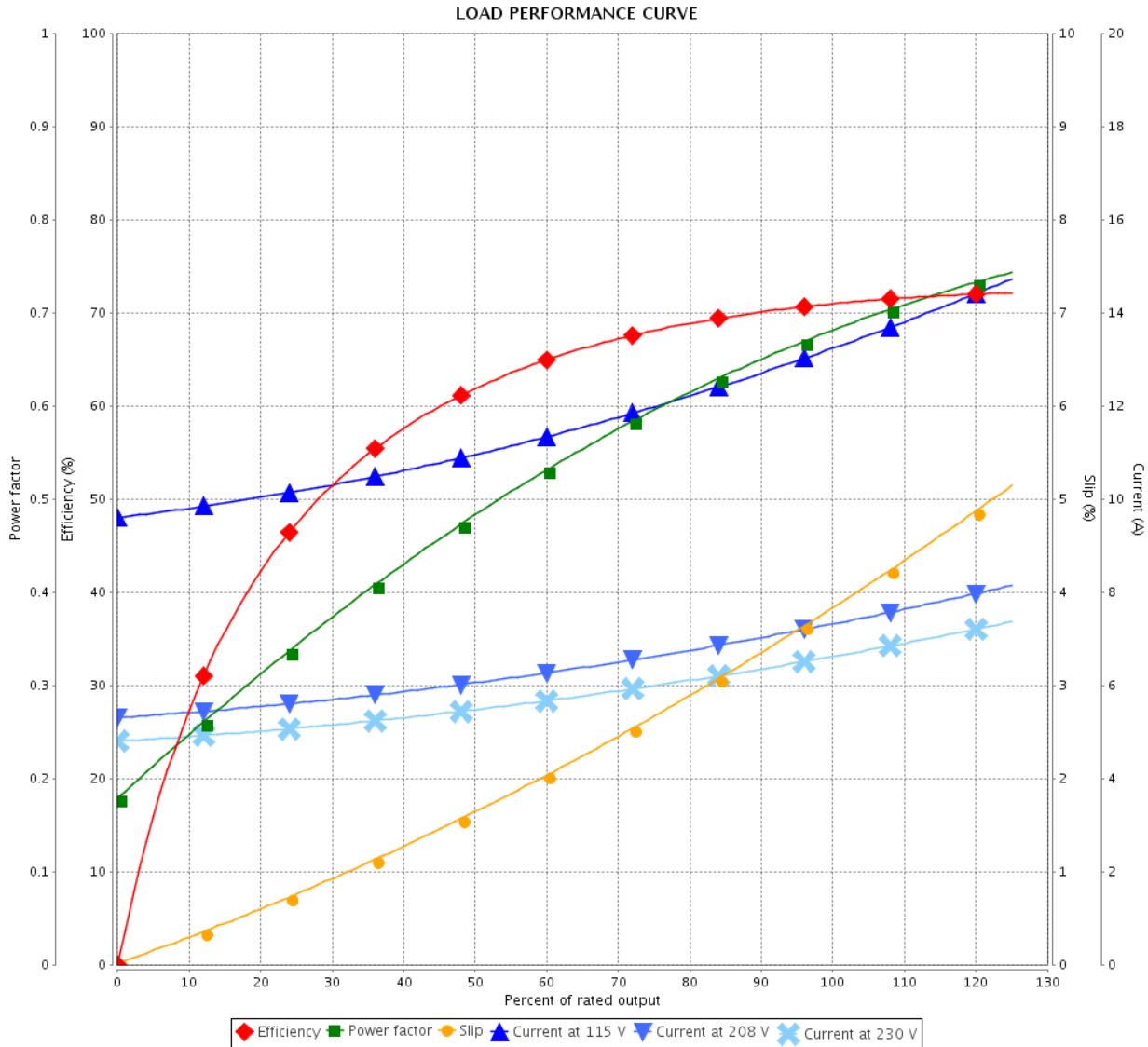
LOAD PERFORMANCE CURVE

Single Phase Induction Motor - Squirrel Cage



Customer : _____

Product line : Rolled Steel 00021 Single-Phase Product code : 15412789
 Catalog # : 00118AS1BPF56-S



Performance : 115/208-230 V 60 Hz 4P

Rated current	: 13.5/7.52-6.75 A	Moment of inertia (J)	
LRC	: 6.7	Duty cycle	: Cont.(S1)
Rated torque	: 3.04 ft.lb	Insulation class	: F
Locked rotor torque	: 280 %	Service factor	: 1.15
Breakdown torque	: 270 %	Temperature rise	: 80 K
Rated speed	: 1730 rpm	Design	: L

Rev.	Changes Summary	Performed	Checked	Date
Performed by			Page 2 / 2	Revision
Checked by				
Date	22/12/2021			

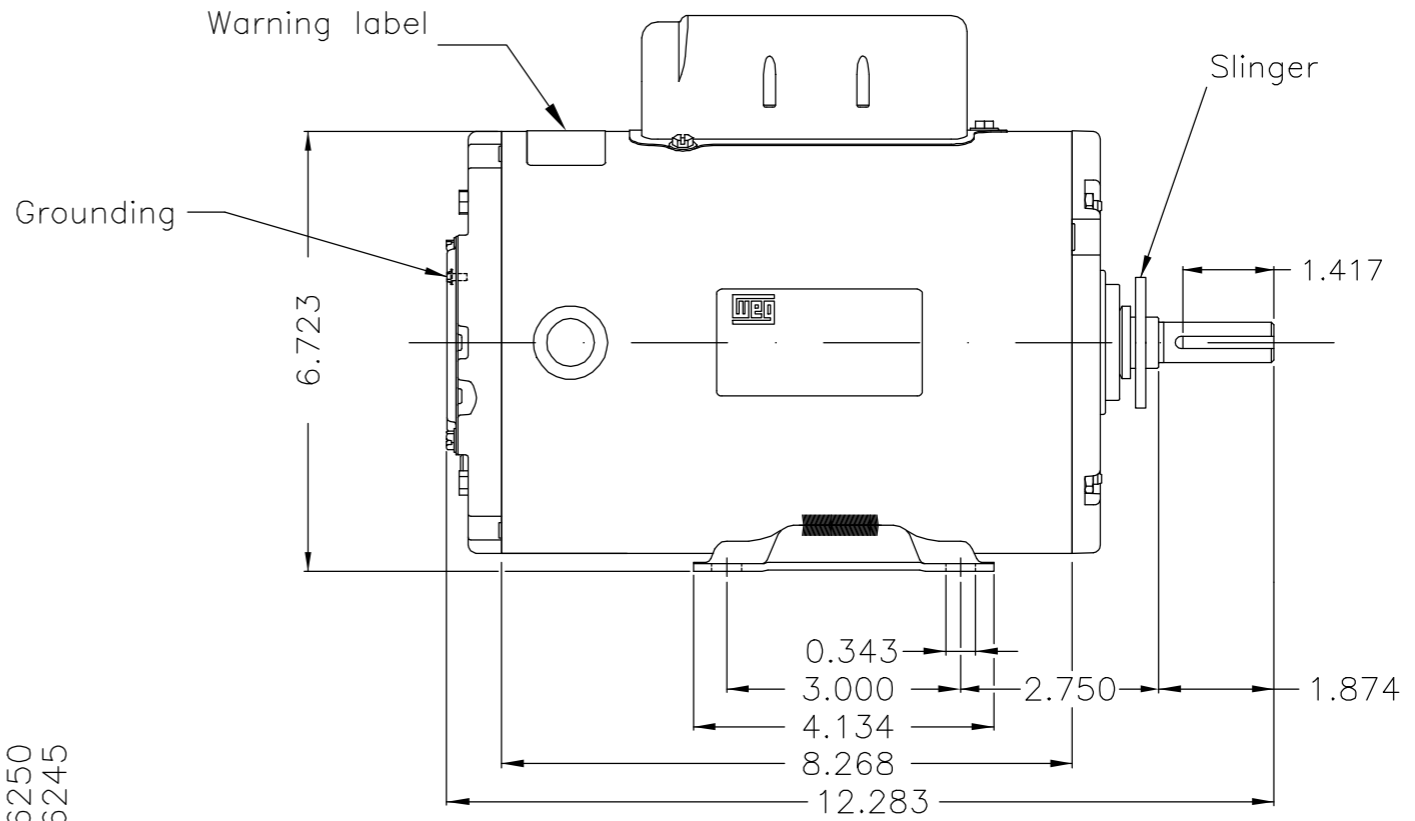
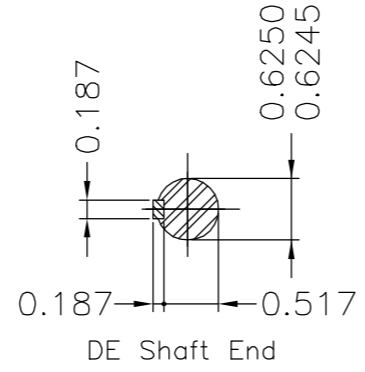
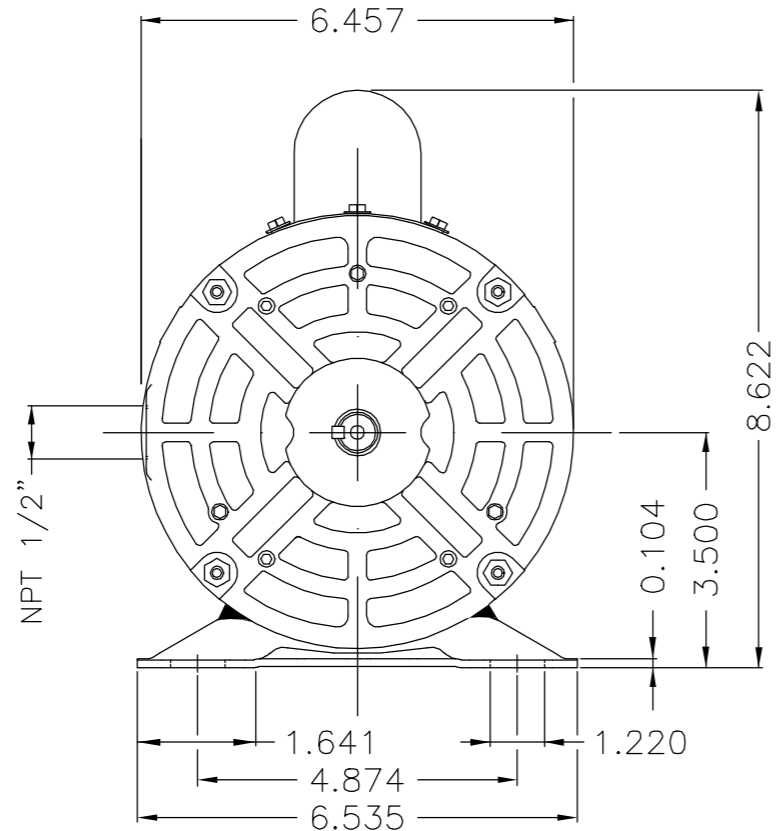
EIXO/SHAFT	
PADRÃO/STANDARD	X
OPCIONAL/OPTIONAL	
ESPECIAL/SPECIAL	

Dimensiones en pulgadas
Dimensions in inches

PRELIMINARY DOCUMENT
Not to be used for installation purposes.

THIS IS AN UPDATED REVISION, THE PREVIOUS ONE MUST BE DISREGARDED.

A
B
C
D
E



- Indicación etiqueta de advertencia/Indicating warning label
- Refuerzo de soldadura en el pie / Weld reinforcement on the foot
- Slinger en la delantera / DE Slinger
- Protector térmico fenólico - Automático / Phenolic thermal protector - automatic
- Color Munsell N 1 negro mate / Color Munsell N 1 matte black
- Plan de pintura 207N / Painting plan 207N
- Forma constructiva F-1/B3R(D) / Mounting F-1/B3R(D)

WEG ELECTRIC CORPORATION - WEC

OV: 21256907

500001801243		UPDATE IP RATING ACCORDING 417390210	EJESUS	HERNANDEZA	HERNANDEZA	07.08.2020	04
500001778520		UPDATE LENGTH ACC. CLAIM 417351958	EJESUS	ISAAVEDRA	ISAAVEDRA	18.06.2020	03
ECM	LOC	SUMMARY OF MODIFICATIONS	EXECUTED	CHECKED	RELEASED	DATE	VER
EXECUTED	MORALESR	SINGLE PHASE MOTOR CLOSED ROLLED STEEL FRAME 56 IP55 TEAO	10007510697				
CHECKED	PNAVA		000	04			
RELEASED	PNAVA						
REL DT	25.03.2020	WMX	Huehuetoca	Ingeniería de producto	SHEET	1 / 1	

1 HP 04 Poles 60Hz 417254628

UNCONTROLLED COPY

RELEASED

ZME A3



MADE IN BRAZIL

MAT: 15412789

W01.ME0IC0X0X

MODEL 00118AS1BPF56-S

17DEC2021 B/N:

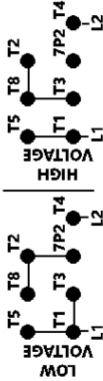
Thermally Protected

PH 1	Hz 60	HP 1.0
FR 56		KW 0.75
DUTY CONT.		V 115/208-230
ALT 1000 m.a.s.l.		A 13.5/7.52-6.75
INS CL F AT 80K	IP55	SFA -
AMB 40°C	DES L	SF 1.15
ENCL TEAO	CODE M	PF 0.68
USABLE @ 208V SF1.00		RPM 1730
		AVG.F.L. 71.0%
		EFF.

Electric Motor

DE 6204-ZZ	ODE 6202-ZZ	MOBIL POLYREX EM
------------	-------------	------------------

REVERSE ROTATION INVERT T5 AND T8



T1-BLU
 T2-WHT
 T3-ORG
 T4-YEL
 T5-BLK
 T8-RED
 7P2-BRW



WARNING: Motor must be grounded in accordance with local and national electrical codes to prevent serious electrical shocks. Disconnect power source before servicing unit.

AVERTISSEMENT: Le moteur doit être mis à la terre

conformément aux codes électriques locaux et nationaux afin d'éviter tout choc électrique grave. Déconnectez l'alimentation avant l'entretien de la machine.

