

# DATA SHEET



## Single Phase Induction Motor - Squirrel Cage

Customer :																			
Product line	: Rolled Steel 00021 Single-Phase																		
Product code :	15412616																		
Catalog # :	00118AS1BRBPF56-S																		
Frame : 56 Output : 1 HP (0.75 kW) Poles : 4 Frequency : 60 Hz Rated voltage : 115/208-230 V Rated current : 13.7/7.52-6.85 A L. R. Amperes : 91.8/50.4-45.9 A LRC : 6.7x(Code M) No load current : 9.60/4.14-4.80 A Rated speed : 1730 rpm Slip : 3.89 % Rated torque : 3.04 ft.lb Locked rotor torque : 280 % Breakdown torque : 270 % Insulation class : F Service factor : 1.15 Design : L	Locked rotor time : 14s (cold) 8s (hot) Temperature rise : 80 K Duty cycle : Cont.(S1) Ambient temperature : -20°C to +40°C Altitude : 1000 m.a.s.l. Protection degree : IP55 Cooling method : IC410 - TEAO Mounting : F-1 Rotation <sup>1</sup> : Both (CW and CCW) Starting method : Direct On Line Approx. weight <sup>3</sup> : 33.1 lb																		
Output	25%    50%    75%    100%																		
Efficiency (%)	0.000    62.0    68.0    70.0																		
Power Factor	0.00    0.48    0.60    0.68																		
Foundation loads																			
Max. traction	: 64 lb																		
Max. compression	: 97 lb																		
	<table border="0" style="width:100%;"> <tr> <td></td> <td style="text-align: center;"><u>Drive end</u></td> <td style="text-align: center;"><u>Non drive end</u></td> </tr> <tr> <td>Bearing type</td> <td style="text-align: center;">: 6204 ZZ</td> <td style="text-align: center;">: 6202 ZZ</td> </tr> <tr> <td>Sealing</td> <td style="text-align: center;">: V'Ring</td> <td style="text-align: center;">: Without Bearing Seal</td> </tr> <tr> <td>Lubrication interval</td> <td style="text-align: center;">: 0 h</td> <td style="text-align: center;">: 0 h</td> </tr> <tr> <td>Lubricant amount</td> <td style="text-align: center;">: 0 g</td> <td style="text-align: center;">: 0 g</td> </tr> <tr> <td>Lubricant type</td> <td colspan="2" style="text-align: center;">: Mobil Polyrex EM</td> </tr> </table>		<u>Drive end</u>	<u>Non drive end</u>	Bearing type	: 6204 ZZ	: 6202 ZZ	Sealing	: V'Ring	: Without Bearing Seal	Lubrication interval	: 0 h	: 0 h	Lubricant amount	: 0 g	: 0 g	Lubricant type	: Mobil Polyrex EM	
	<u>Drive end</u>	<u>Non drive end</u>																	
Bearing type	: 6204 ZZ	: 6202 ZZ																	
Sealing	: V'Ring	: Without Bearing Seal																	
Lubrication interval	: 0 h	: 0 h																	
Lubricant amount	: 0 g	: 0 g																	
Lubricant type	: Mobil Polyrex EM																		
Notes																			
This revision replaces and cancel the previous one, which must be eliminated. (1) Looking the motor from the shaft end. (2) Measured at 1m and with tolerance of +3dB(A). (3) Approximate weight subject to changes after manufacturing process. (4) At 100% of full load.																			
These are average values based on tests with sinusoidal power supply, subject to the tolerances stipulated in NEMA MG-1.																			
Rev.	Changes Summary	Performed	Checked	Date															
Performed by																			
Checked by			Page	Revision															
Date	02/09/2021		1 / 2																

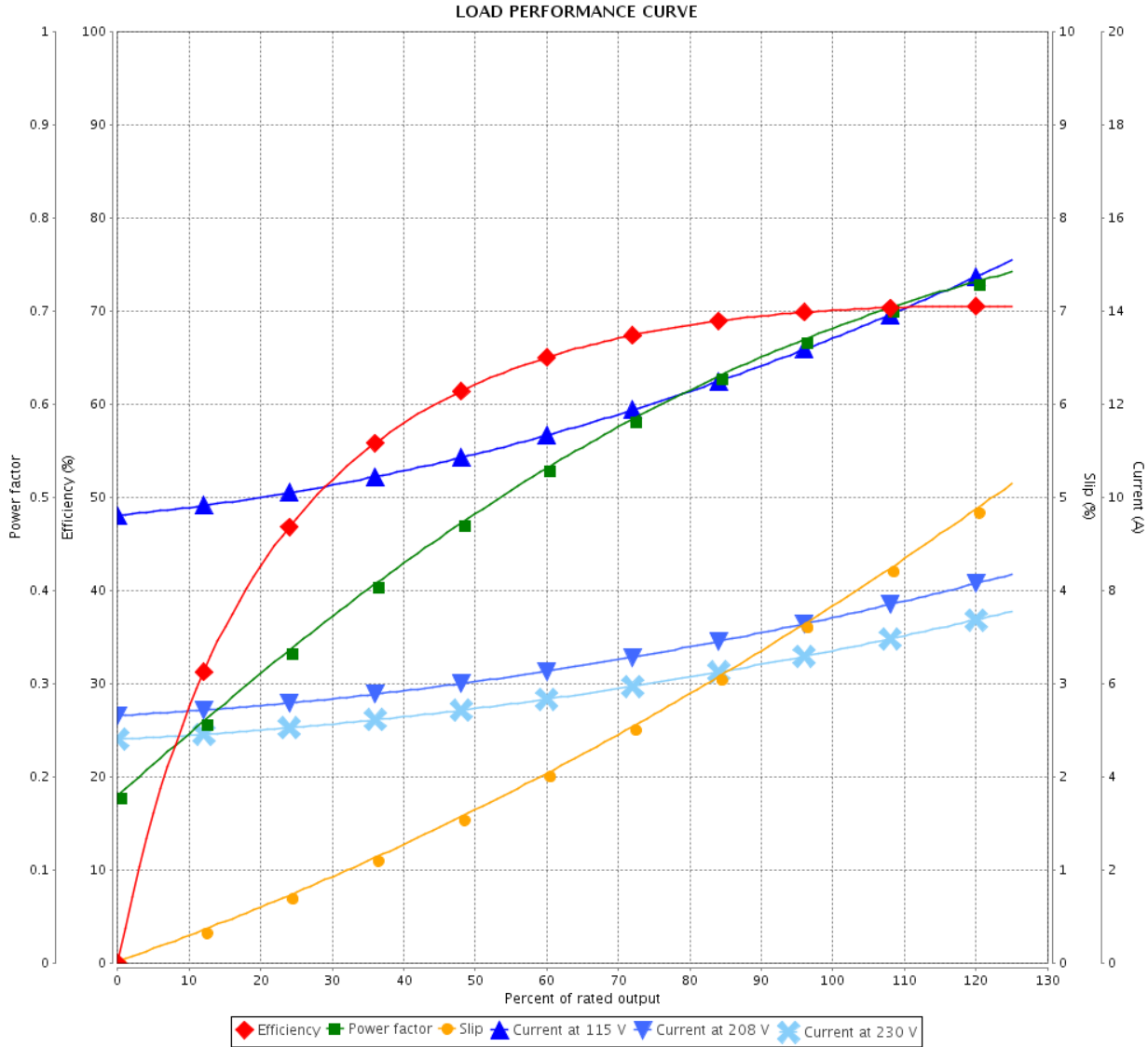
# LOAD PERFORMANCE CURVE

Single Phase Induction Motor - Squirrel Cage



Customer :

Product line : Rolled Steel 00021 Single-Phase      Product code : 15412616  
 Catalog # : 00118AS1BRBPF56-S



Performance : 115/208-230 V 60 Hz 4P

Rated current	: 13.7/7.52-6.85 A	Moment of inertia (J)	
LRC	: 6.7	Duty cycle	: Cont.(S1)
Rated torque	: 3.04 ft.lb	Insulation class	: F
Locked rotor torque	: 280 %	Service factor	: 1.15
Breakdown torque	: 270 %	Temperature rise	: 80 K
Rated speed	: 1730 rpm	Design	: L

Rev.	Changes Summary	Performed	Checked	Date
Performed by			Page 2 / 2	Revision
Checked by				
Date	02/09/2021			

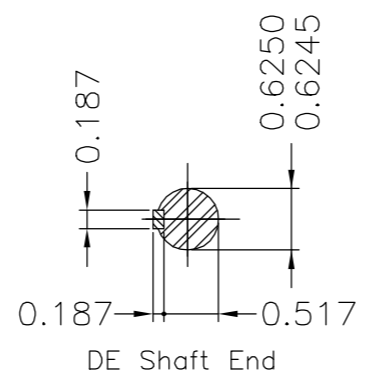
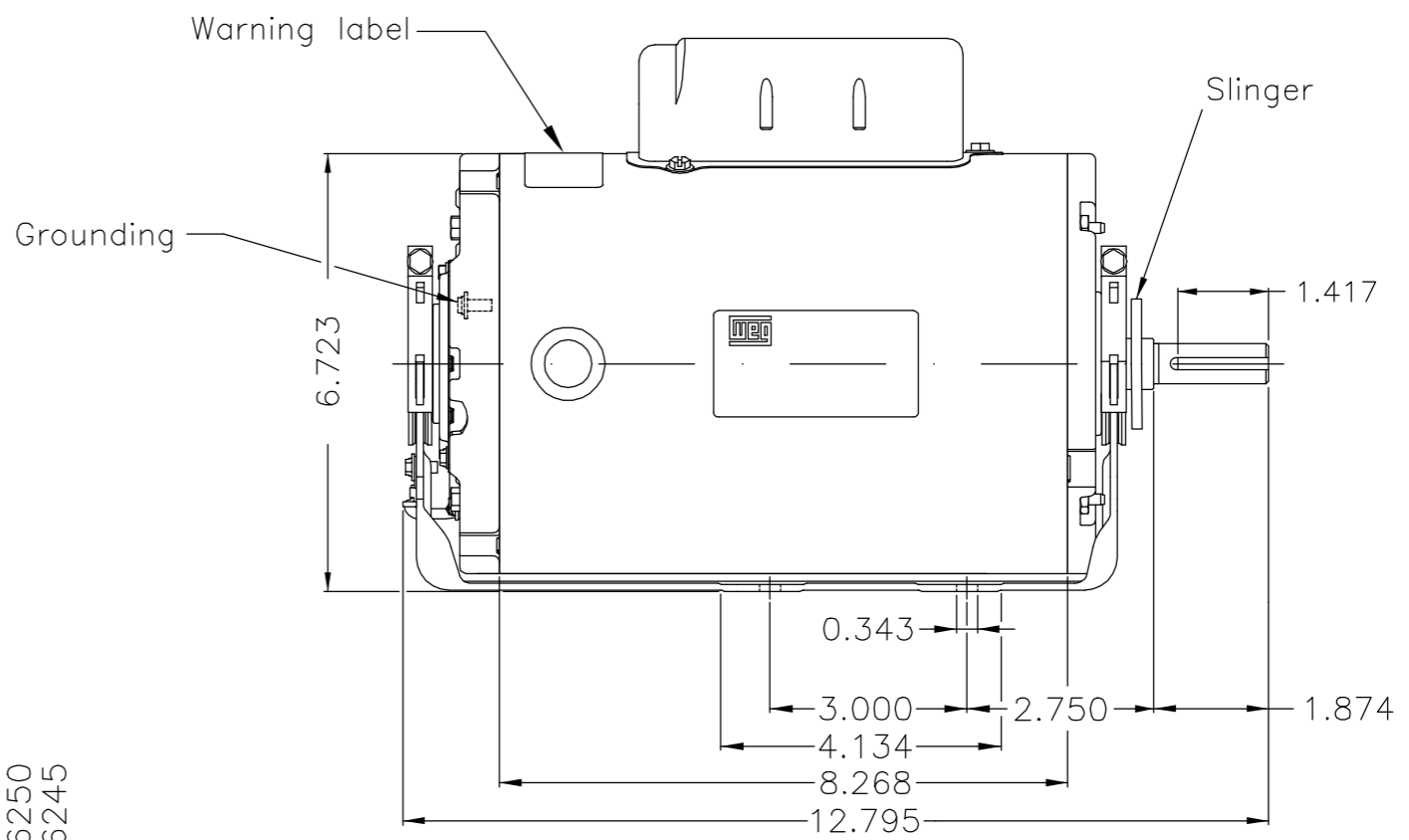
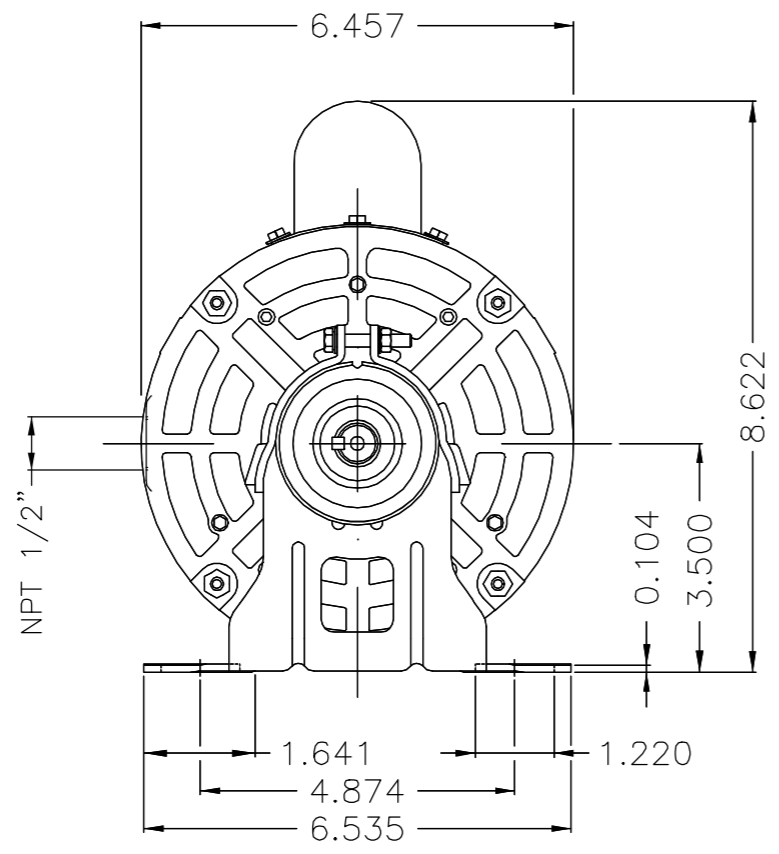
EIXO/SHAFT	
PADRÃO/STANDARD	X
OPCIONAL/OPTIONAL	
ESPECIAL/SPECIAL	

Dimensiones en pulgadas  
Dimensions in inches

**PRELIMINARY DOCUMENT**  
Not to be used for installation purposes.

THIS IS AN UPDATED REVISION, THE PREVIOUS ONE MUST BE DISREGARDED.

A  
B  
C  
D  
E



Indicación de etiqueta de advertencia/Indicating warning label	
Slinger en la delantera / DE Slinger	
Protector térmico fenólico - Automático / Phenolic thermal protector - automatic	
Color Munsell N 1 negro mate / Color Munsell N 1 matte black	
Plan de pintura 207N / Painting plan 207N	
Forma constructiva F-1/B3R(D) / Mounting F-1/B3R(D)	
<b>WEG ELECTRIC CORPORATION - WEC</b>	

OV: 21256907

500001803096		UPDATING ACCORDING TO CLAIM 417429135	EJESUS	HERNANDEZA	HERNANDEZA	12.08.2020	02
500001750735		Mod. According claim: 417271548	CRISTIANT	MORALESR	MORALESR	13.04.2020	01
ECM	LOC	SUMMARY OF MODIFICATIONS	EXECUTED	CHECKED	RELEASED	DATE	VER
EXECUTED	MORALESR	SINGLE PHASE MOTOR CLOSED ROLLED STEEL FRAME 56 IP55 TEAO	10007510814				
CHECKED	PNAVA		000	02			
RELEASED	PNAVA						
REL DT	25.03.2020	WMX	Huehuetoca	Ingeniería de Producto	SHEET	1 / 1	

1 HP 04 Poles 60Hz 417254751

UNCONTROLLED COPY

RELEASED

ZME A3



MADE IN MEXICO

**MAT: 15412616**

**W01.ME0IC0X0X**

**MODEL 00118AS1BRBPF56-S**

**10JUN2021 B/N:**

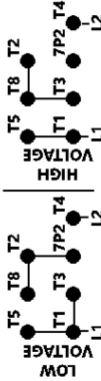
**Thermally Protected**

PH 1	Hz 60	HP 1.0
FR 56		KW 0.75
DUTY CONT.		V 115/208-230
ALT 1000 m.a.s.l.		A 13.7/7.52-6.85
INS CL F AT 80K	IP55	SFA -
AMB 40°C	DES L	SF 1.15
ENCL TEAO	CODE M	PF 0.68
USABLE @ 208V SF1.00		RPM 1730
		NEMA
		NOM. EFF 70.0%

**Electric Motor**

DE 6204-ZZ	ODE 6202-ZZ	MOBIL POLYREX EM
------------	-------------	------------------

**REVERSE ROTATION INVERT T5 AND T8**



- T1-BLU
- T2-WHT
- T3-ORG
- T4-YEL
- T5-BLK
- T8-RED
- 7P2-BRW



**WARNING:** Motor must be grounded in accordance with local and national electrical codes to prevent serious electrical shocks. Disconnect power source before servicing unit.



**AVERTISSEMENT:** Le moteur doit être mis à la terre

conformément aux codes électriques locaux et nationaux afin d'éviter tout choc électrique grave. Déconnectez l'alimentation avant l'entretien de la machine.

