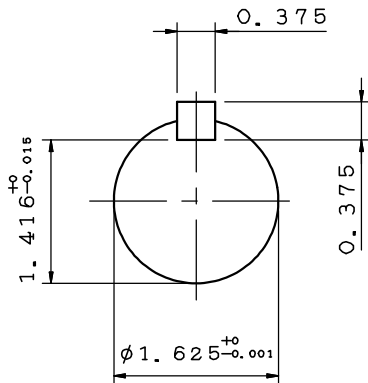
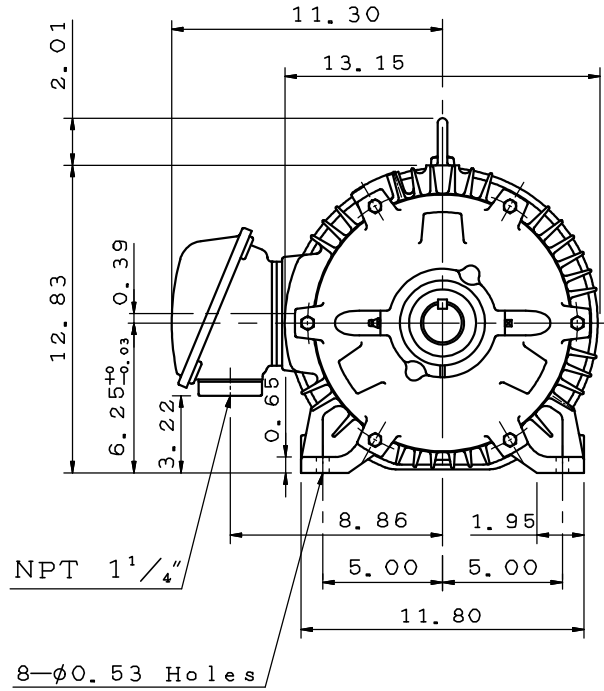
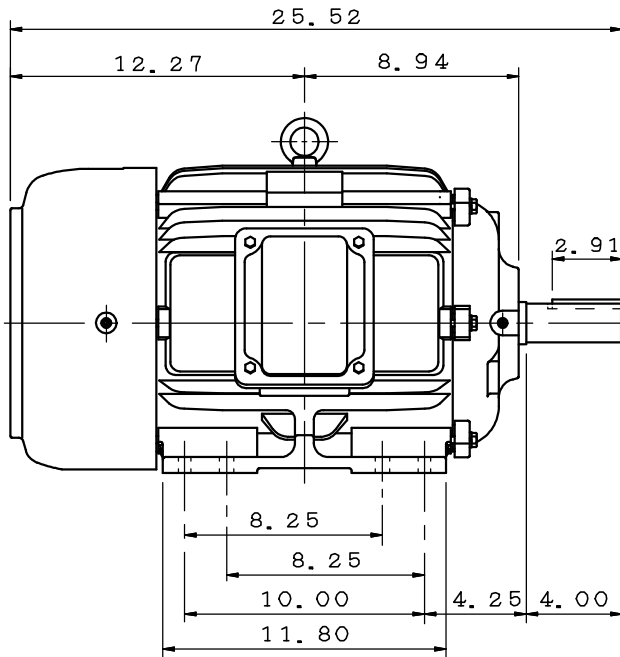


| | | | |
|--------------|---------------|--------------------|-------------------------|
| DATE | APRIL 1, 2020 | OUTLINE DIMENSIONS | MOTOR TYPE: |
| CATALOG NO.: | EP0202 | | 3-PHASE INDUCTION MOTOR |
| | | | FRAME NO. 256T |

| Pole | HP | kW | Hz | VOLT | r/min(rpm) |
|------|----|----|----|---------|------------|
| 2 | 20 | 15 | 60 | 230/460 | 3600 |

| Ins | Rating | Dimension in | Approx Weight | Bearings |
|-----|--------|--------------|---------------|------------------------|
| F | CONT. | inch | ① 317 lbs | DE: 6309ZZ NDE: 6307ZZ |

Totally Enclosed Fan-Cooled Type. Squirrel-cage Rotor.



| | | |
|------------|--------------------|------------|
| ① 07 12 19 | Show approx weight | H. C. Yang |
|------------|--------------------|------------|

| | | | | |
|-------|------------|----------|---------------------------------|--------------|
| DWG. | Mahato | 06•28•19 | TECO Westinghouse | DWG NO. |
| CHKD. | M. C. JENG | 06•28•19 | | 31057M089031 |
| APPD. | M. C. JENG | 06•28•19 | | |