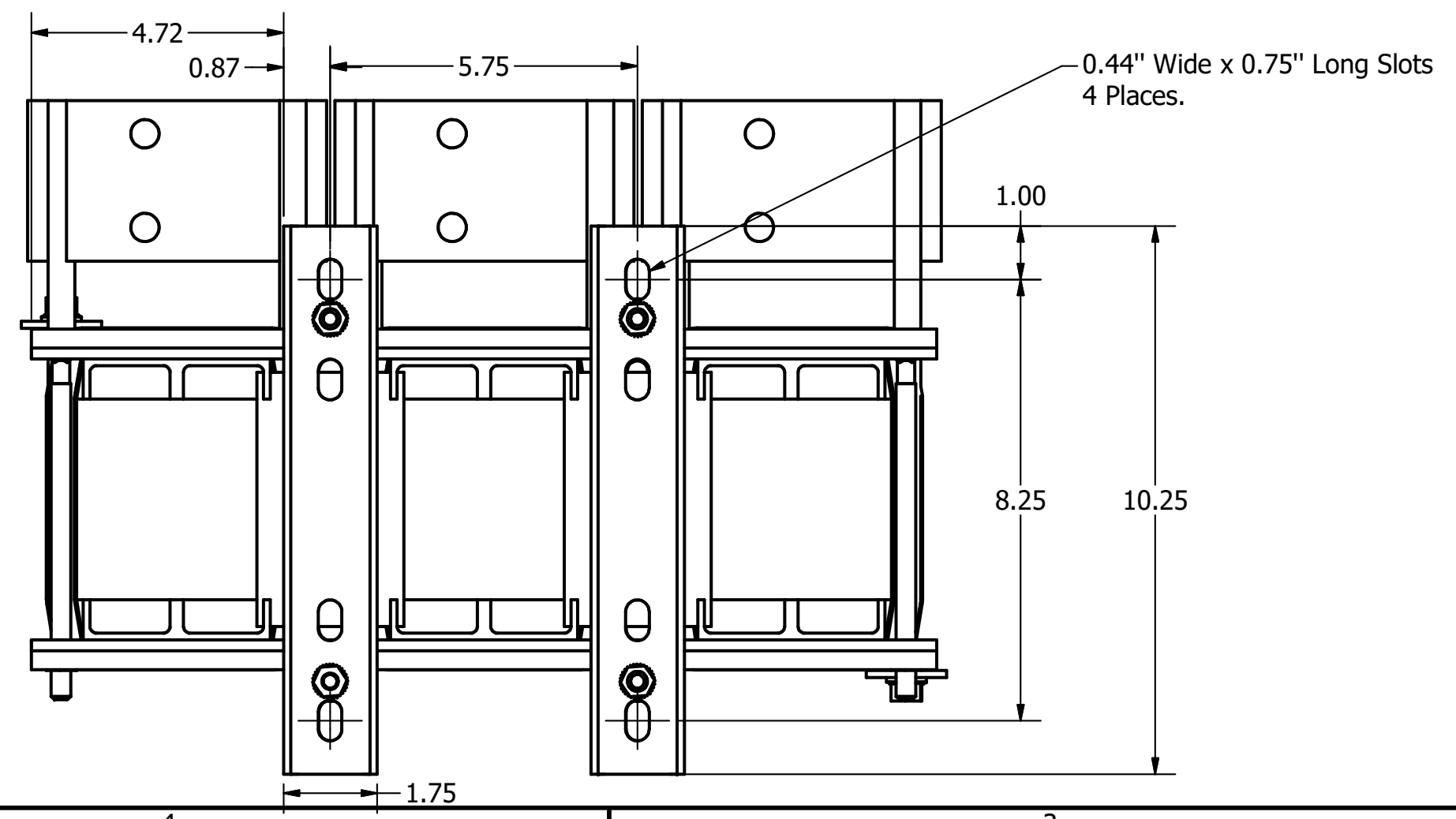
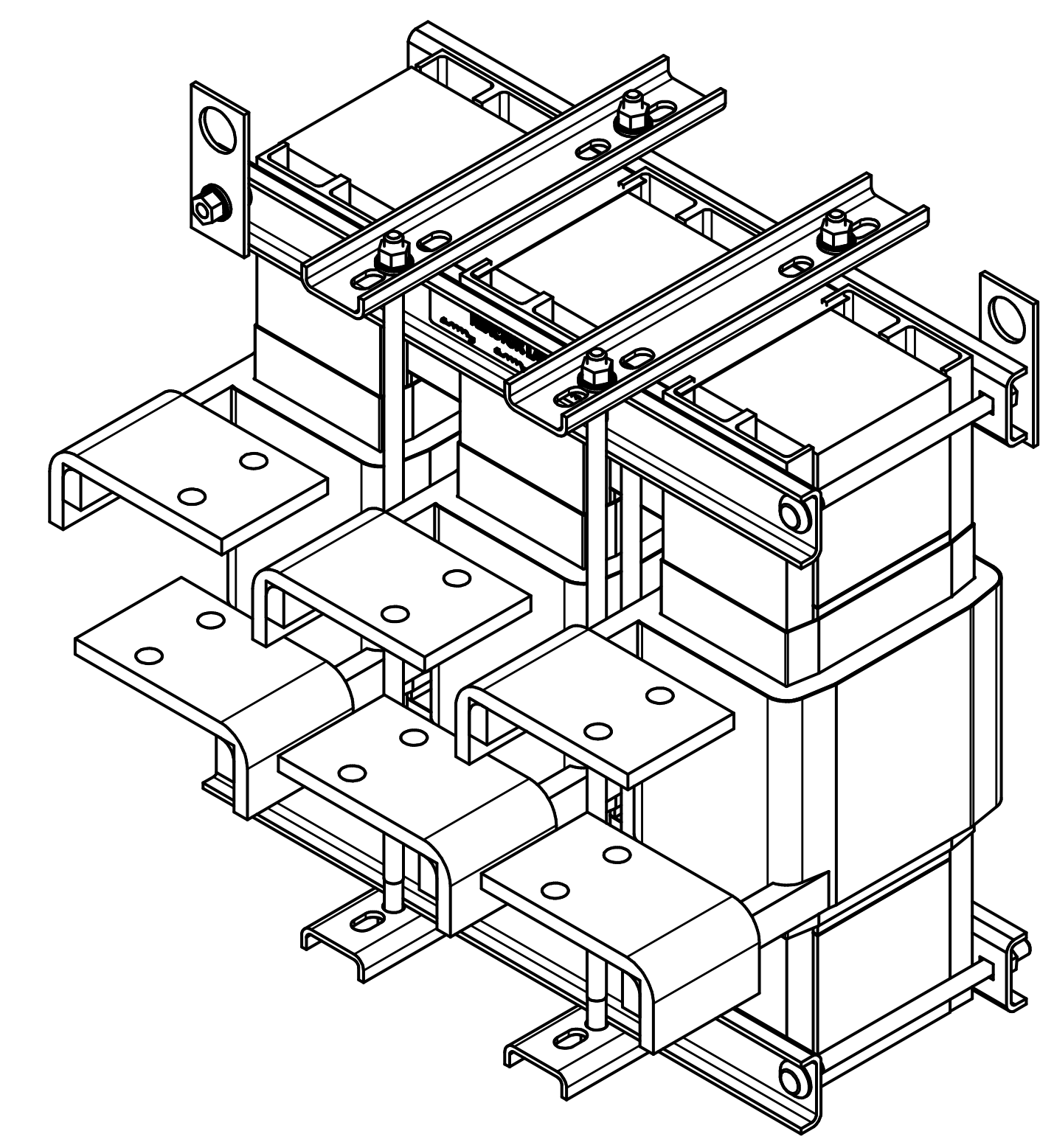
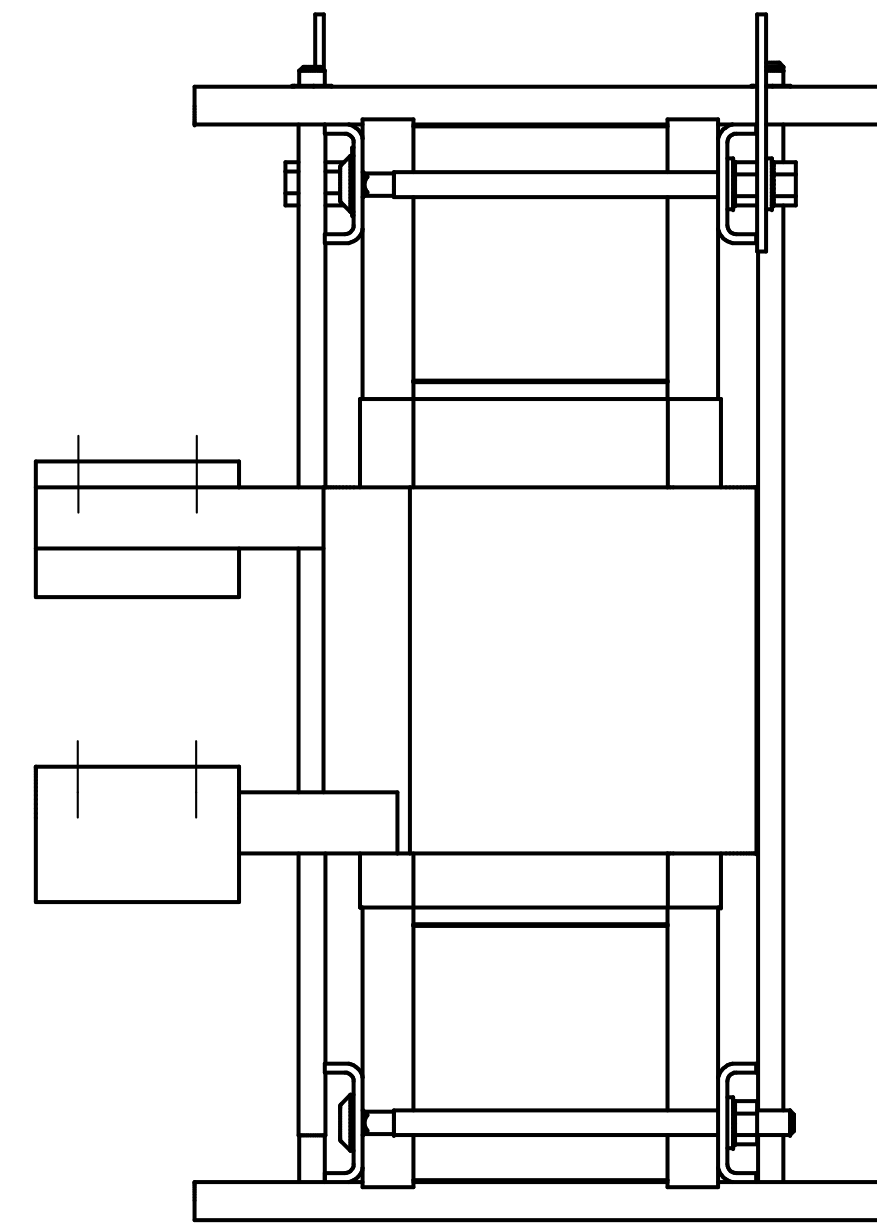
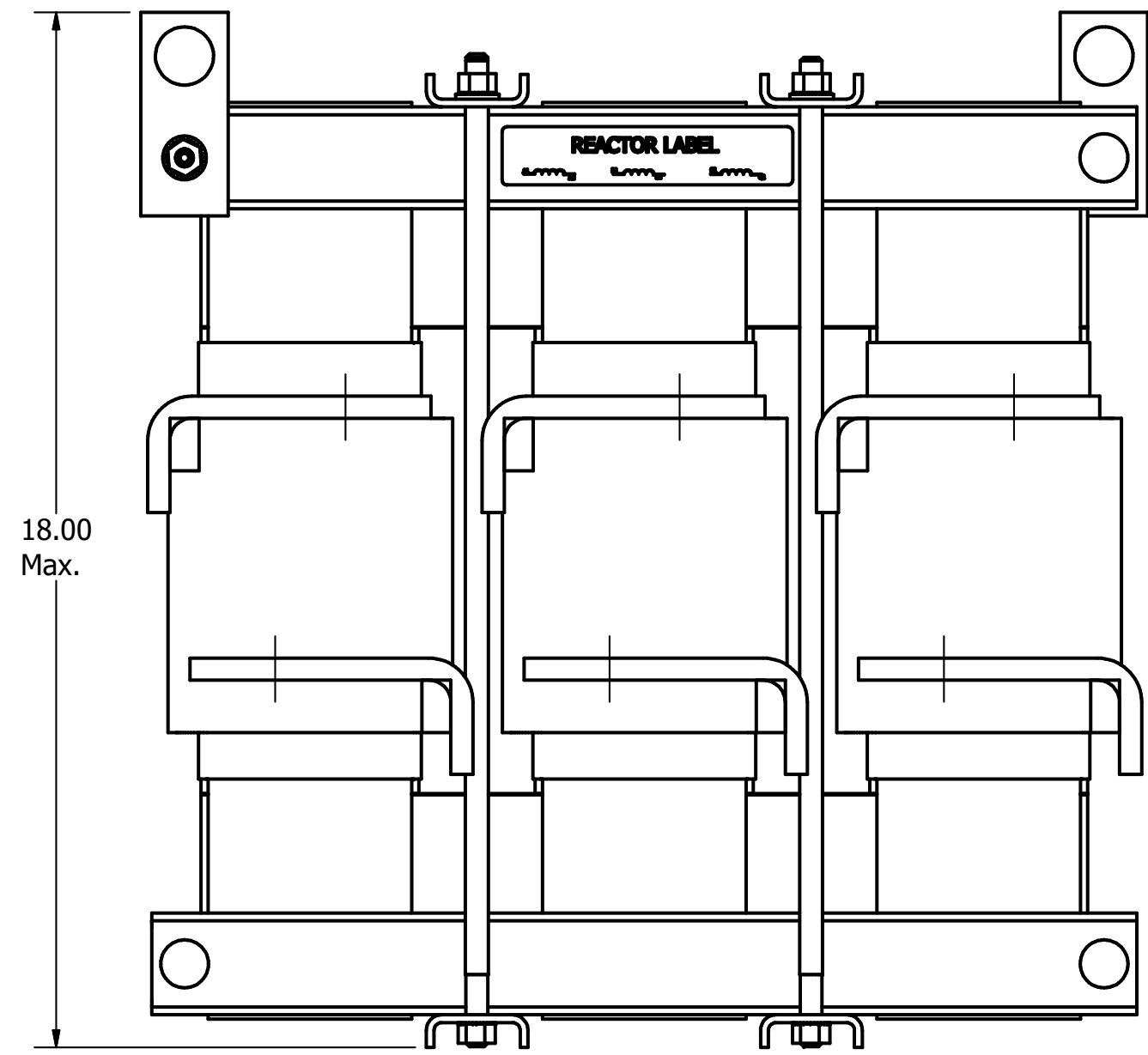
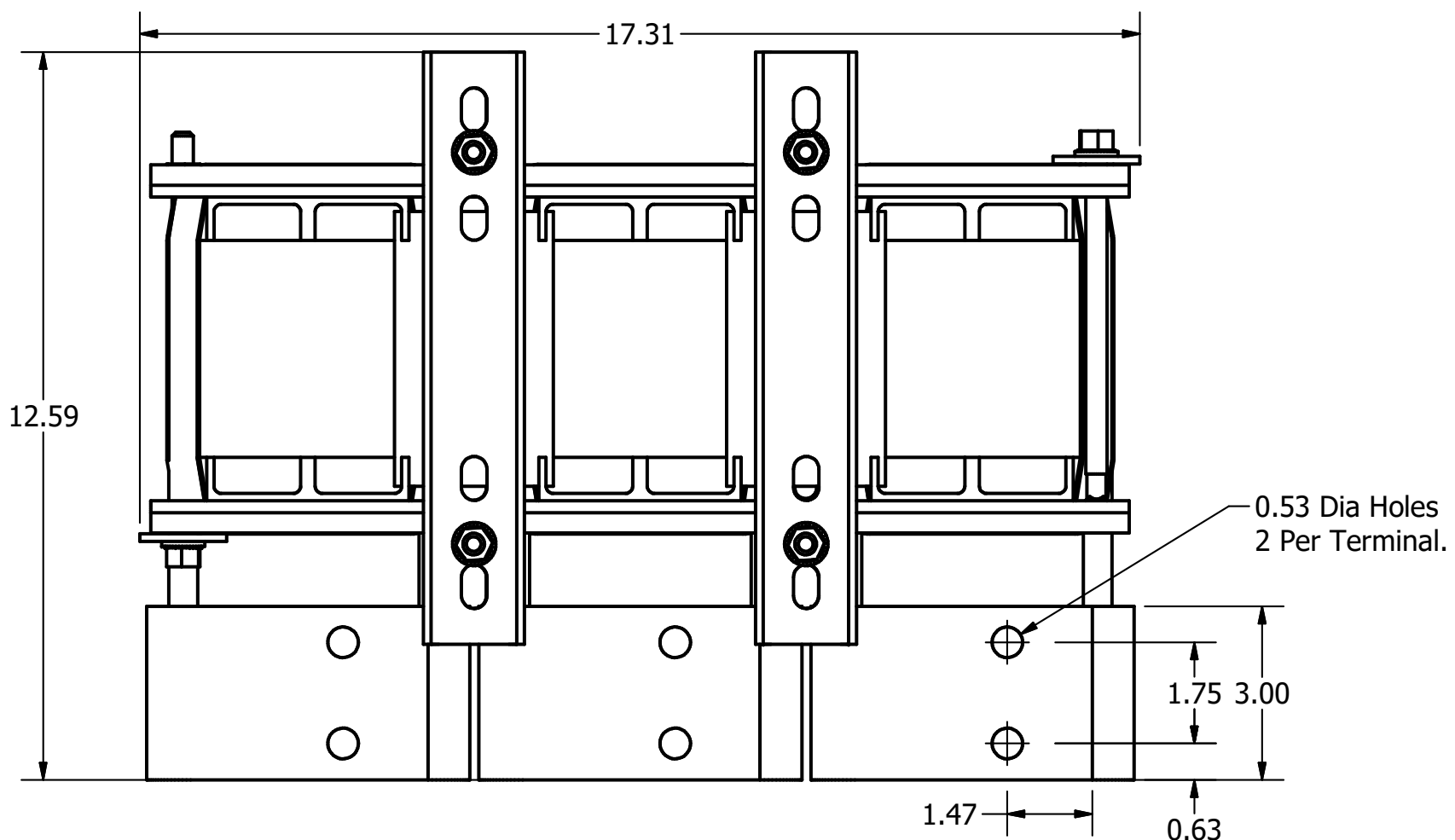



TCI Part Number	Voltage (V)	Horsepower (HP)	NEC Motor Current (A)	Max Amps (A)	Watts Loss	Approx Weight (LBS)
KDRX44HV	690	800	768	864	1592	310
KDRX41HV	690	900	864	864	1791	310
KDRX44LV	690	1250	1200	1200	1493	325



Customer Is Responsible For Installation to Meet All National And Local Electrical Codes.

Material(s) Shall be RoHS Compliant

TCI, LLC CLAIMS PROPRIETARY RIGHTS IN THE MATERIAL HEREIN DISCLOSED. IT IS SUPPLIED WITHOUT PREJUDICE TO ANY PATENT RIGHTS OF TCI AND MAY NOT BE REPRODUCED OR USED TO MANUFACTURE ANYTHING SHOWN THEREIN WITHOUT WRITTEN PERMISSION FROM TCI.				TOLERANCES (EXCEPT AS NOTED)		 W132 N10611 Grant Drive Germantown, WI 53022	
				DECIMAL			XX ± .25 .XXX ± .10
				FRACTIONAL		KDR Drive Reactor 690V (X Frame)	
				± 1/16			
				ANGULAR		DRN BY: DSW DATE: 2/06/07 SCALE: 1/3 103116DG SIZE C SHT. 1 OF 1	
				± 1°			
NO		REVISION		DATE		BY	
		A 4412, CHG. Top Plate to Chnl		6/21/18		DSW	