

480 Rated Voltage, 690 Max Voltage, High Z, Impedance.

Part Number	Horsepower (HP)	Motor Amps (A)	Maximum Amps (A)	Inductance (uH) +/-10%	Weight (LBS)	Losses (W)
KDRMA1H1	1/4	0.70	1.4	52500	1.3	7.9
KDRMA2H1	1/3	0.80	1.4	45900	1.5	9.2
KDRMA3H1	1/2	1.10	1.6	33400	1.3	14.3
KDRMA4H1	3/4	1.60	2.1	23000	1.4	19.3
KDRMA5H1	1	2.10	2.3	17500	1.4	26.7
KDRMA6H1	1 1/2	3.0	3.6	12300	1.6	30.0

480 Rated Voltage, 690 Max Voltage, Low Z, Impedance.

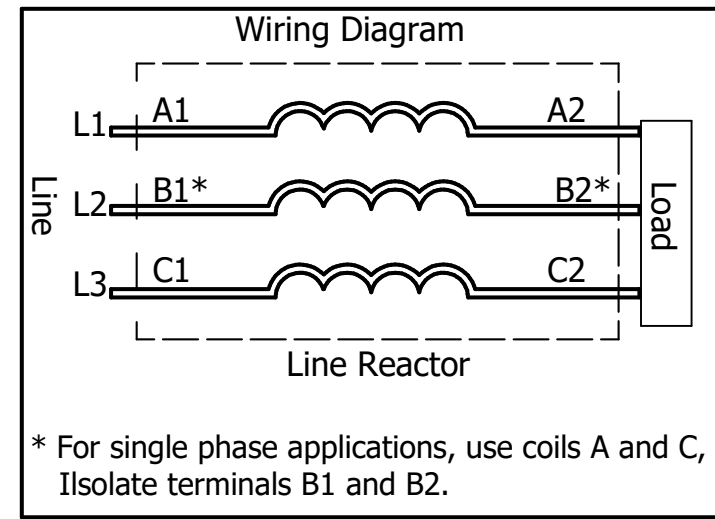
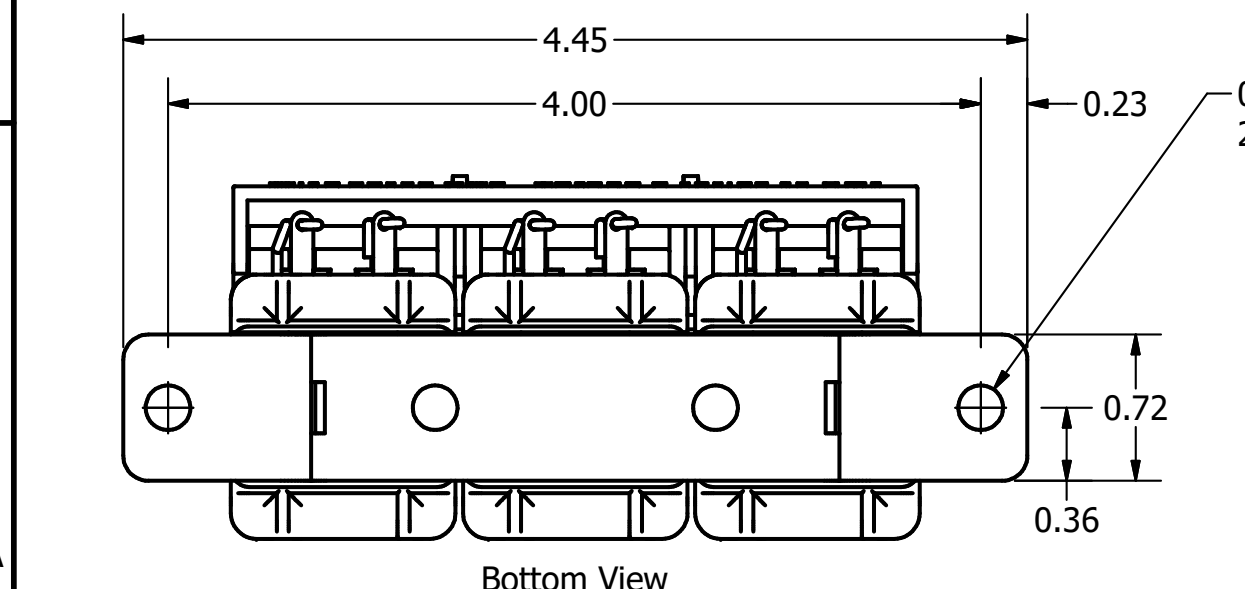
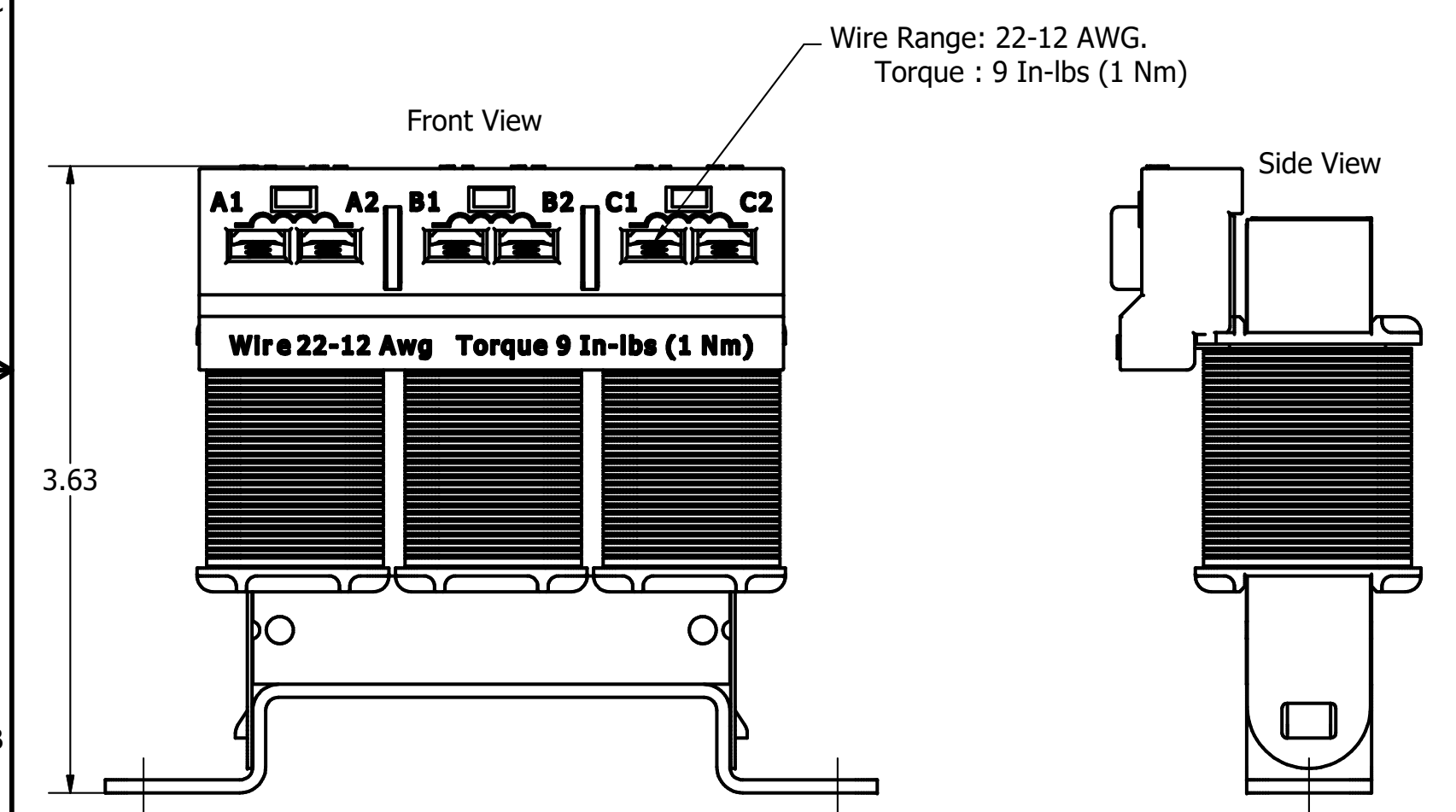
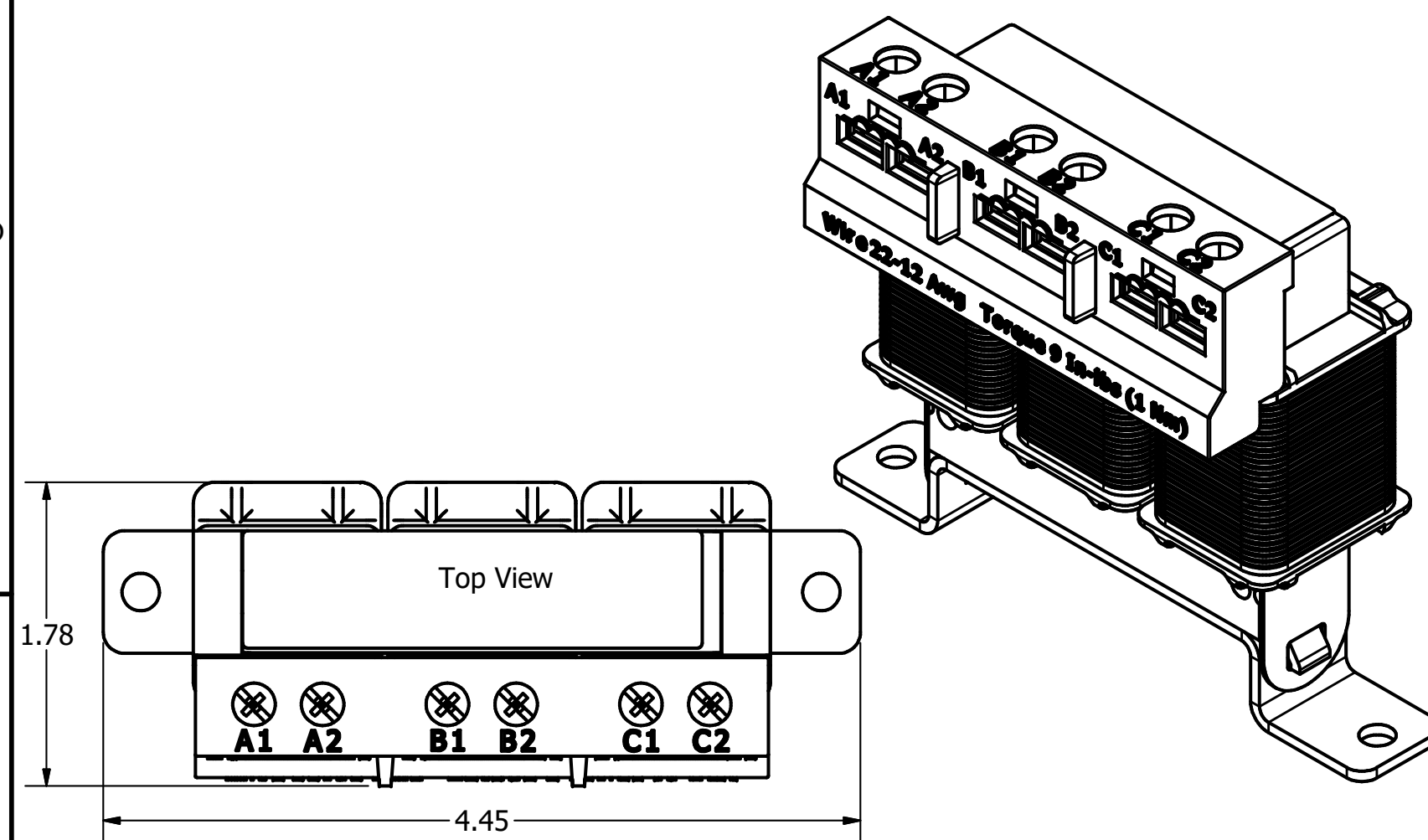
Part Number	Horsepower (HP)	Motor Amps (A)	Maximum Amps (A)	Inductance (uH) +/-10%	Weight (LBS)	Losses (W)
KDRMA1L1	1/4	0.70	1.4	31500	1.3	5.0
KDRMA2L1	1/3	0.80	1.7	27600	1.3	6.2
KDRMA3L1	1/2	1.10	1.6	20000	1.3	9.7
KDRMA4L1	3/4	1.60	2.3	13800	1.3	12.1
KDRMA5L1	1	2.10	2.3	10500	1.2	25.2
KDRMA6L1	1 1/2	3.00	3.4	7400	1.4	26.4
KDRMA7L1	2	3.40	4.2	6500	1.4	23.5
KDRMA8L1	3	4.80	5.0	4600	1.4	30.6

600 Rated Voltage, 690 Max Voltage, High Z, Impedance.

Part Number	Horsepower (HP)	Motor Amps (A)	Maximum Amps (A)	Inductance (uH) +/-10%	Weight (LBS)	Losses (W)
KDRMA41H1	1/4	0.50	0.80	91900	1.3	5.9
KDRMA42H1	1/3	0.70	0.75	65600	1.2	9.1
KDRMA43H1	1/2	0.90	1.1	51000	1.5	12.9
KDRMA44H1	3/4	1.30	1.6	35300	1.6	14.6
KDRMA45H1	1	1.70	2.1	27000	1.5	27.0

600 Rated Voltage, 690 Max Voltage, Low Z, Impedance.

Part Number	Horsepower (HP)	Motor Amps (A)	Maximum Amps (A)	Inductance (uH) +/-10%	Weight (LBS)	Losses (W)
KDRMA41L1	1/4	0.50	0.80	55100	1.2	3.9
KDRMA42L1	1/3	0.70	1.1	39400	1.2	6.1
KDRMA43L1	1/2	0.90	1.6	30600	1.1	8.5
KDRMA44L1	3/4	1.30	2.1	21200	1.3	10.9
KDRMA45L1	1	1.70	2.1	16200	1.3	16.2
KDRMA46L1	1 1/2	2.40	3.4	11500	1.4	17.2
KDRMA47L1	2	2.70	3.2	10200	1.5	20.5



**TCI** TCI, LLC | Germantown, WI | [transcoll.com](http://transcoll.com)

**KDR Drive Reactor**  
 KDR Motor Amps  
 3PH 50/60Hz, —V Rated, 690V Max, —A Max, RoHS  
 50C Amb Max 135C Rise, Manual # 30895

**UL** LISTED  
 250 CONT. EQ. INFO

**CE**

Date Code

- Notes:
1. UL file number: cULus Listed File E116124.
  2. KDR Drive Reactors Comply With The Thermal and Altitude Standards Set Forth by NEMA ST20-1992.
  3. KDR IOM Manual Part Number 30895
  4. For Din Rail Kit, See Part Number DR01.
  5. Material(s) Shall be RoHS Compliant
  6. Customer Is Responsible For Installation To Meet All National And Local Electrical Codes.

TCI, LLC CLAIMS PROPRIETARY RIGHTS IN THE MATERIAL HEREIN DISCLOSED. IT IS SUPPLIED WITHOUT PREJUDICE TO ANY PATENT RIGHTS OF TCI AND MAY NOT BE REPRODUCED OR USED TO MANUFACTURE ANYTHING SHOWN THEREIN WITHOUT WRITTEN PERMISSION FROM TCI.				TOLERANCES (EXCEPT AS NOTED)		<b>TCI</b> W132 N10611 Grant Drive Germantown, WI 53022	
				DECIMAL		KDR MA Frame, Terminal Block Reactor Drawing	
				.XX ± .25		DRN BY DSW	
				.XXX ± .10		DATE: 10/20/17	
				FRACTIONAL		106686DG	
				± 1/16		SCALE: 1:1	
				ANGULAR		SIZE C	
				± 1°		SHT 1 OF 1	
A	As Designed	10/20/17	DSW	NO	REVISION	DATE	BY