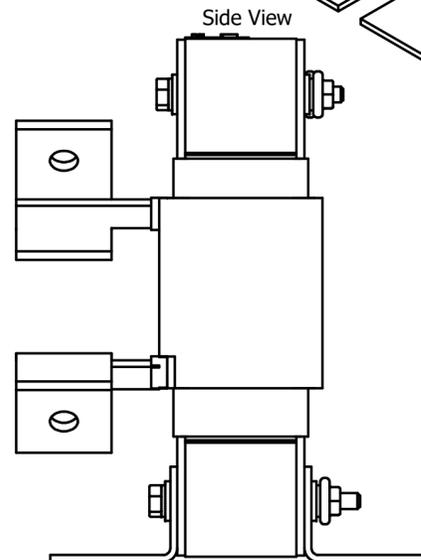
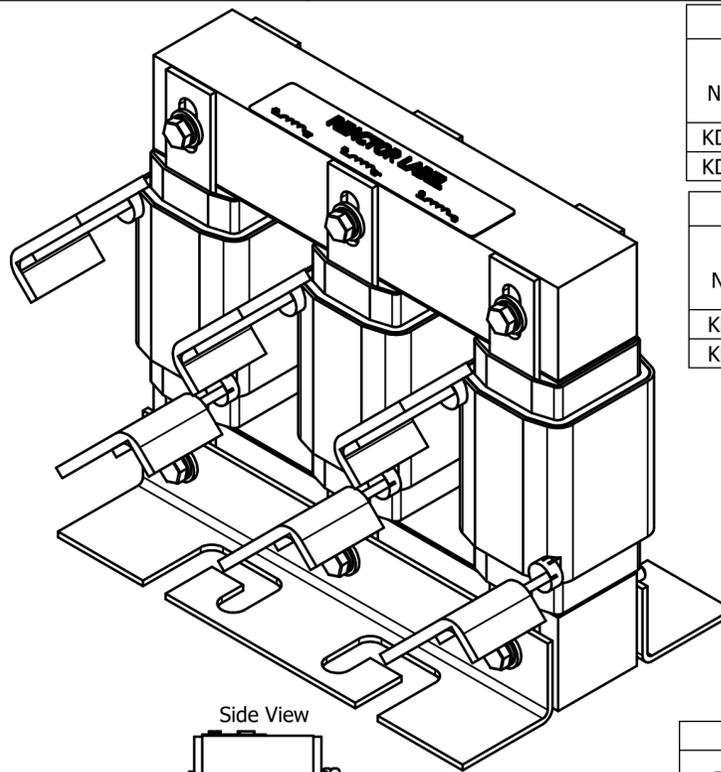
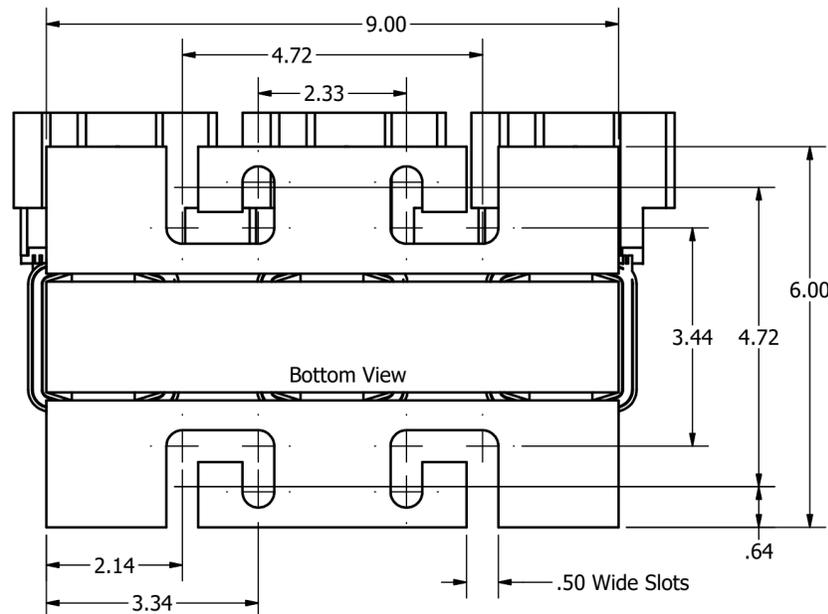


(Customer Connections) Markings Coils For Reference Only.

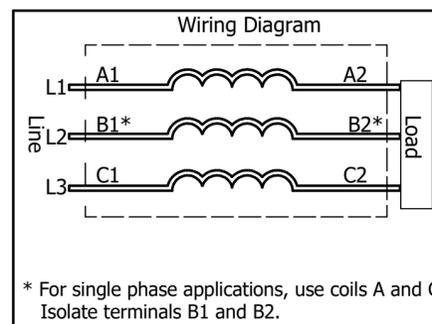


208/240 Rated Voltage, 600 Max Voltage, High Z, Impedance.								
Part Number	Horsepower (HP)	Motor Amps (A)	Maximum Amps (A)	Inductance (uH)	Weight (LBS)	Losses (W)	Available Lug Kit	Terminal Hole Size (Inches)
KDRI22H	75	211	220	85.4	50	312	SLK12	0.44
KDRI21H	100	273	275	64.6	50	296	SLK12	0.44

208/240 Rated Voltage, 600 Max Voltage, Low Z, Impedance.								
Part Number	Horsepower (HP)	Motor Amps (A)	Maximum Amps (A)	Inductance (uH)	Weight (LBS)	Losses (W)	Available Lug Kit	Terminal Hole Size (Inches)
KDRI23L	75	211	211	48.7	50	294	SLK12	0.44
KDRI24L	100	273	280	36.4	50	276	SLK12	0.44

480 Rated Voltage, 600 Max Voltage, Output								
Part Number	Horsepower (HP)	Motor Amps (A)	Maximum Amps (A)	Inductance (uH)	Weight (LBS)	Losses (W)	Available Lug Kit	Terminal Hole Size (Inches)
KDRI2P	150	180	200	52	50	135	SLK11	0.38

575 Rated Voltage, 600 Max Voltage, Output								
Part Number	Horsepower (HP)	Motor Amps (A)	Maximum Amps (A)	Inductance (uH)	Weight (LBS)	Losses (W)	Available Lug Kit	Terminal Hole Size (Inches)
KDRI32P	200	192	200	52.9	45	135	SLK11	0.38



TCI (800) 824-8282 transcoil.com

TCI, LLC
 Germantown, WI USA.
transcoil.com
 800-824-8282

KDRUL Drive Reactor
 KDR- Motor Amps —
 3PH, 50/60Hz, —V Rated, 600V Max, —A Max
 40C Amb Max, 155C Rise, RoHS
 Manual #30895 LUG KIT #SLK—

UL LISTED
 AND COMP. EQ. 5000

- Notes:
1. KDR Lug Kits sold separately. Contact TCI.
 2. For KDRUL Version With Terminal Lugs Attached, See Sheet 4
 3. UL file number: cULus Listed File E116124.
 4. KDR Drive Reactors Comply With The Thermal and Altitude Standards Set Forth by NEMA ST20-1992.
 5. KDR IOM Manual Part Number 30895
 6. NEC Current For 208/240 Volts, Horsepower Based On 208 Volts.
 7. Material(s) Shall be RoHS Compliant
 8. Customer Is Responsible For Installation To Meet All National And Local Electrical Codes.

TCI, LLC CLAIMS PROPRIETARY RIGHTS IN THE MATERIAL HEREIN DISCLOSED. IT IS SUPPLIED WITHOUT PREJUDICE TO ANY PATENT RIGHTS OF TCI AND MAY NOT BE REPRODUCED OR USED TO MANUFACTURE ANYTHING SHOWN THEREIN WITHOUT WRITTEN PERMISSION FROM TCI.

NO.	REVISION	DATE	BY

TOLERANCES (EXCEPT AS NOTED)
 DECIMAL
 .XX ± .25
 .XXX ± .10
 FRACTIONAL
 ± 1/16
 ANGULAR
 ± 1°

TCI W132 N10611 Grant Drive
 Germantown, WI 53022

KDR I Frame, Copper Bus
 Reactor Drawing

DRN BY: DSW DATE: 2/28/18 107535DG
 SCALE: 1/2 APRVD: SIZE: C
 SHT. 3 OF 6