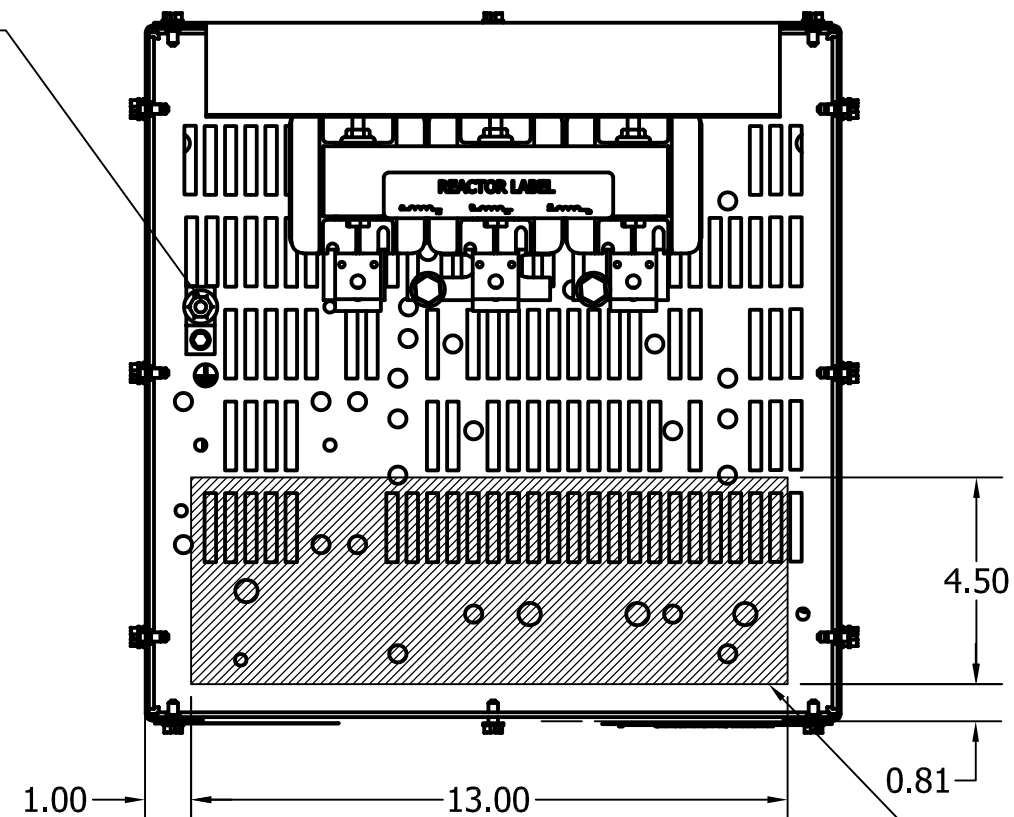
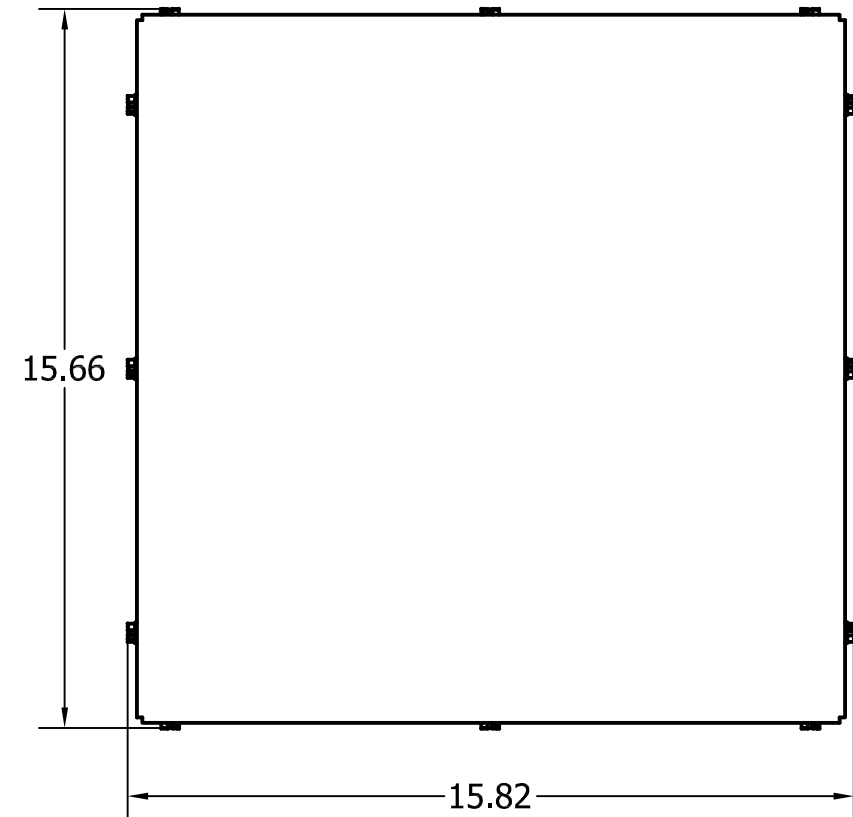
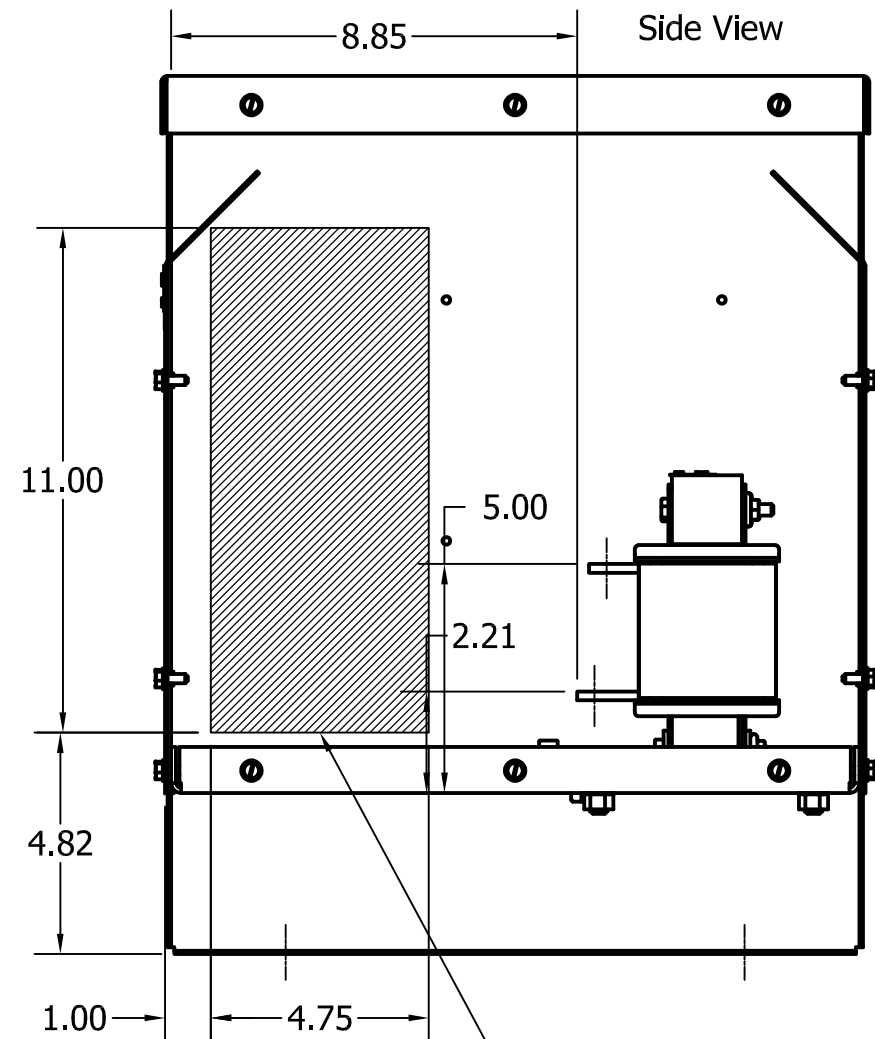
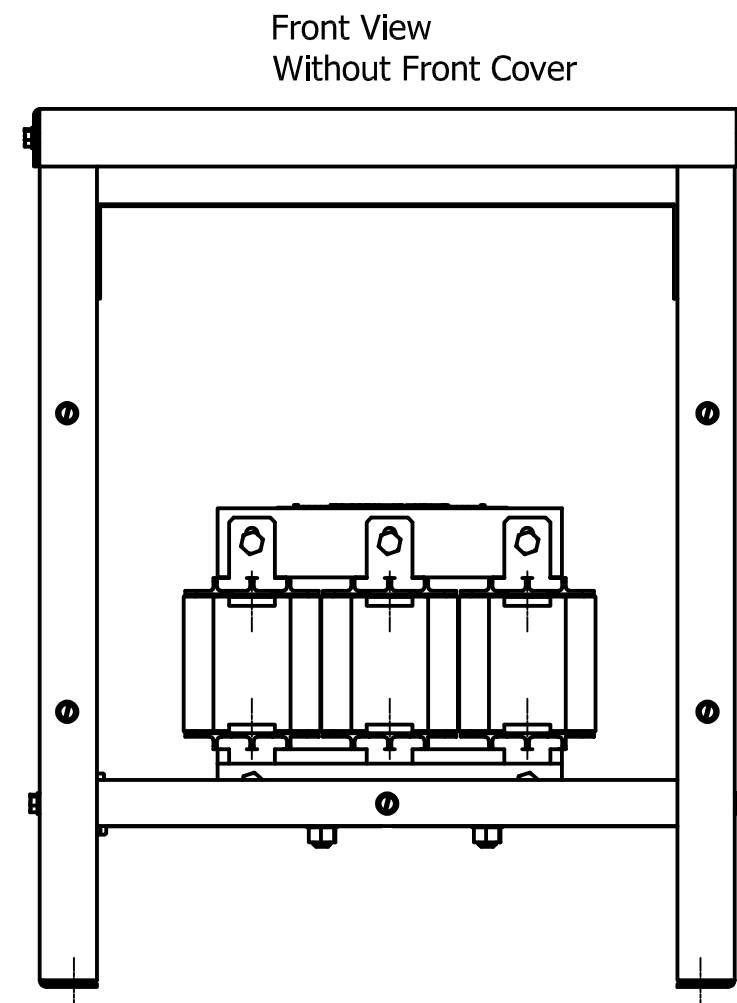
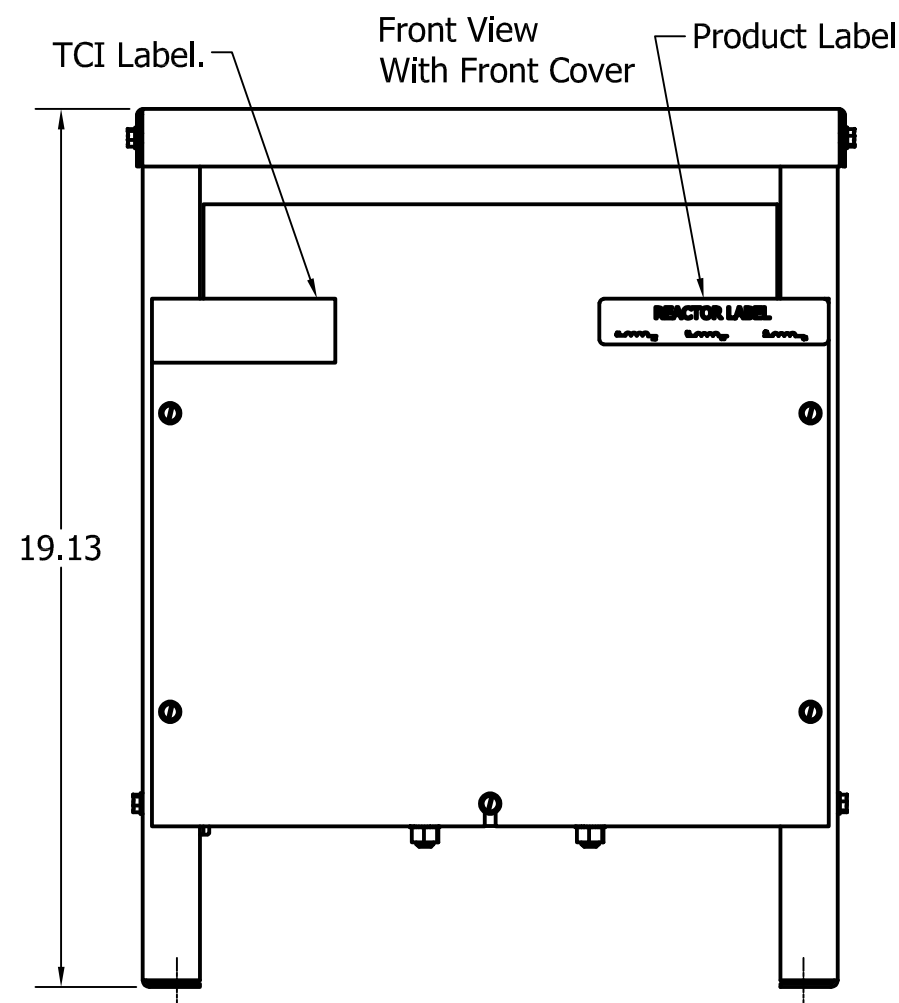


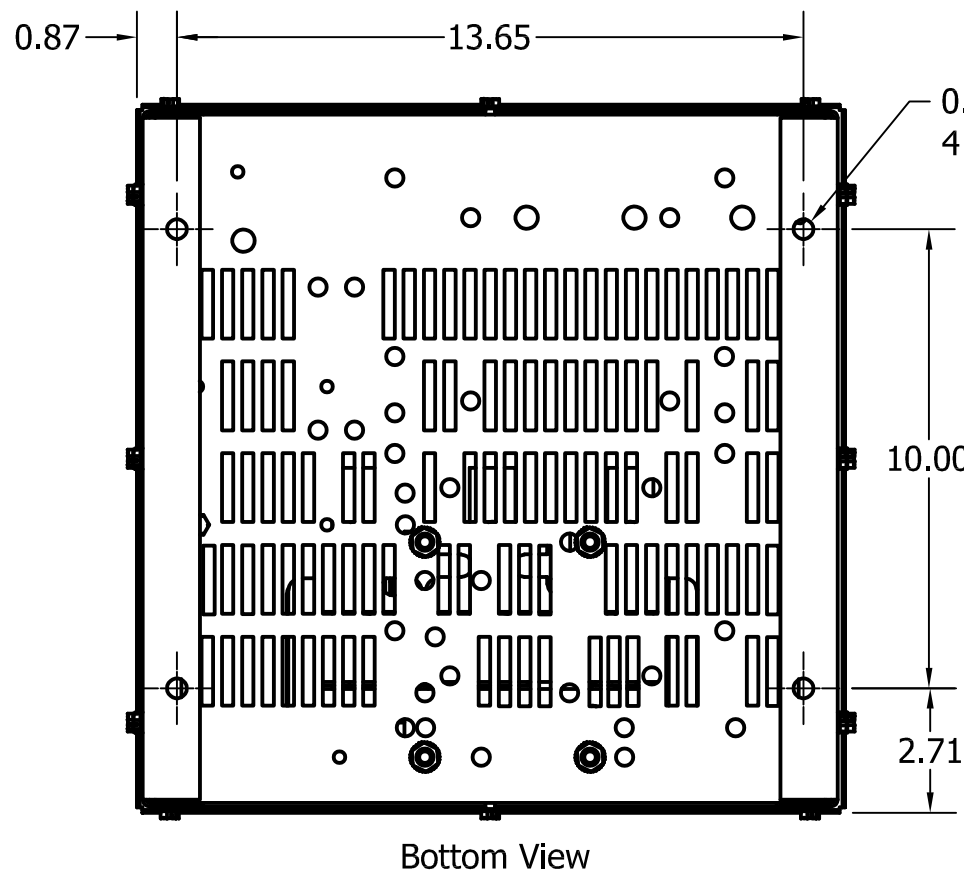
Ground Lug.
See IOM Manual, Part# 30895
Table S2/0, Wire Size And Torque.
Top View



Suggested
Customer Wire Entrance
Bottom Of Enclosure.
See Note: 7
(Non Removeable Panel)

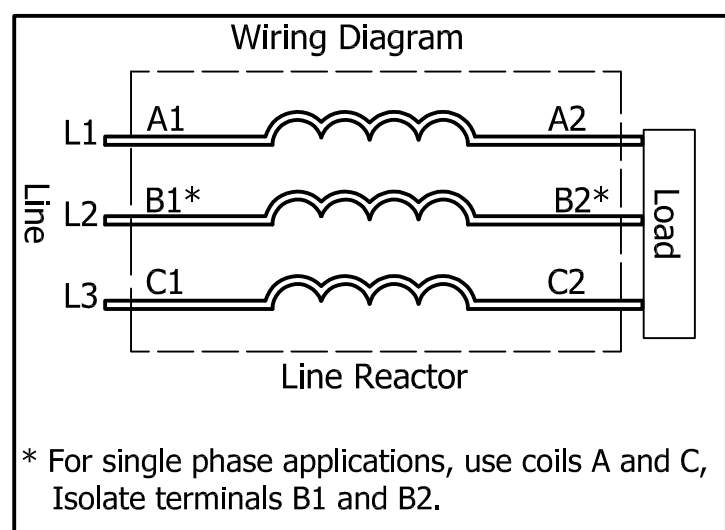


Suggested
Customer Entrance
Either Side Of Enclosure.
See Note: 7
(Non Removeable Panel)



0.44 Dia Mounting Holes,
4 Places, (Bottom of Enclosure)

Markings On
Coil For
Reference Only.



208/240 Rated Voltage, 600 Max Voltage, High Z, Impedance.

Part Number	Horsepower (HP)	Motor Amps (A)	Maximum Amps (A)	Inductance (uH)	Weight (LBS)	Losses (W)	Available Lug Kit	Terminal Hole Size (Inches)
KDRF25HE01	30	88	92	189	67	179	SLK10	0.28
KDRF26HE01	40	114	114	152	67	193	SLK10	0.28

208/240 Rated Voltage, 600 Max Voltage, Low Z, Impedance.

Part Number	Horsepower (HP)	Motor Amps (A)	Maximum Amps (A)	Inductance (uH)	Weight (LBS)	Losses (W)	Available Lug Kit	Terminal Hole Size (Inches)
KDRF24LE01	30	88	100	116	67	135	SLK10	0.28
KDRF25LE01	40	114	118	88.6	67	149	SLK10	0.28
KDRF26LE01	50	143	152	69.9	67	154	SLK21	0.28

480 Rated Voltage, 600 Max Voltage, Low Z, Impedance.

Part Number	Horsepower (HP)	Motor Amps (A)	Maximum Amps (A)	Inductance (uH)	Weight (LBS)	Losses (W)	Available Lug Kit	Terminal Hole Size (Inches)
KDRF3LE01	75	96	110	196	67	193	SLK10	0.28

575 Rated Voltage, 600 Max Voltage, Low Z, Impedance.

Part Number	Horsepower (HP)	Motor Amps (A)	Maximum Amps (A)	Inductance (uH)	Weight (LBS)	Losses (W)	Available Lug Kit	Terminal Hole Size (Inches)
KDRF45LE01	100	99	99	272	67	194	SLK10	0.28

480 Rated Voltage, 600 Max Voltage, Output

Part Number	Horsepower (HP)	Motor Amps (A)	Maximum Amps (A)	Inductance (uH)	Weight (LBS)	Losses (W)	Available Lug Kit	Terminal Hole Size (Inches)
KDRF3PE01	75	96	110	107	67	95	SLK10	0.28

575 Rated Voltage, 600 Max Voltage, Output

Part Number	Horsepower (HP)	Motor Amps (A)	Maximum Amps (A)	Inductance (uH)	Weight (LBS)	Losses (W)	Available Lug Kit	Terminal Hole Size (Inches)
KDRF33PE01	100	99	110	104	67	95	SLK10	0.28

TCI (800) 824-8282 transcoil.com

KDRUL Drive Reactor
KDR- Motor Amps —
3PH, 50/60Hz, —V Rated, 600V Max, —A Max
40C Amb Max, 135C Rise, RoHS
Manual #30895 LUG KIT #SLK—

UL LISTED CE
ISO 9001:2015

DATE CODE A1 A2 B1 B2 C1 C2

- Notes:
- For KDRUL Version, See Sheet 2
 - UL file number: cULus Listed File E116124.
 - KDR Drive Reactors Comply With The Thermal and Altitude Standards Set Forth by NEMA ST20-1992.
 - KDR IOM Manual Part Number 30895
 - NEC Current For 208/240 Volts, Horsepower Based On 208 Volts.
 - Material(s) Shall be RoHS Compliant
 - Customer Is Responsible For Installation To Meet All National And Local Electrical Codes.

TCI, LLC CLAIMS PROPRIETARY RIGHTS IN THE MATERIALS HEREIN DISCLOSED. IT IS SUPPLIED WITHOUT PREJUDICE TO ANY PATENT RIGHTS OF TCI AND MAY NOT BE REPRODUCED OR USED TO MANUFACTURE ANYTHING SHOWN THEREIN WITHOUT WRITTEN PERMISSION FROM TCI.

NO	REVISION	DATE	BY	TOLERANCES (EXCEPT AS NOTED)
A	As Designed	3/12/18	DSW	DECIMAL .XX ± .25 .XXX ± .10 FRACTIONAL ± 1/16 ANGULAR ± 1°

W132 N10611 Grant Drive
Germantown, WI 53022

KDR F Frame, Copper Bus, Enclosed
Type 1, Reactor Drawing

DRN BY: DSW DATE: 3/12/18 107574DG
SCALE: 1/4.5 APRVD: SIZE C SH1.1 OF 2