

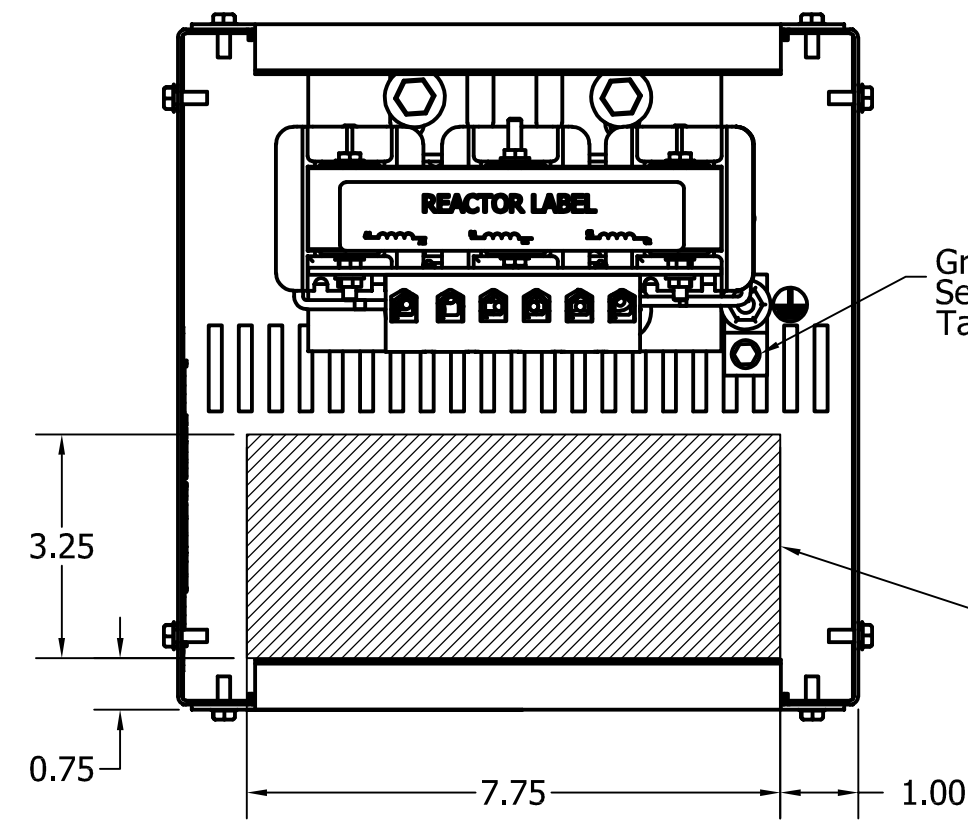
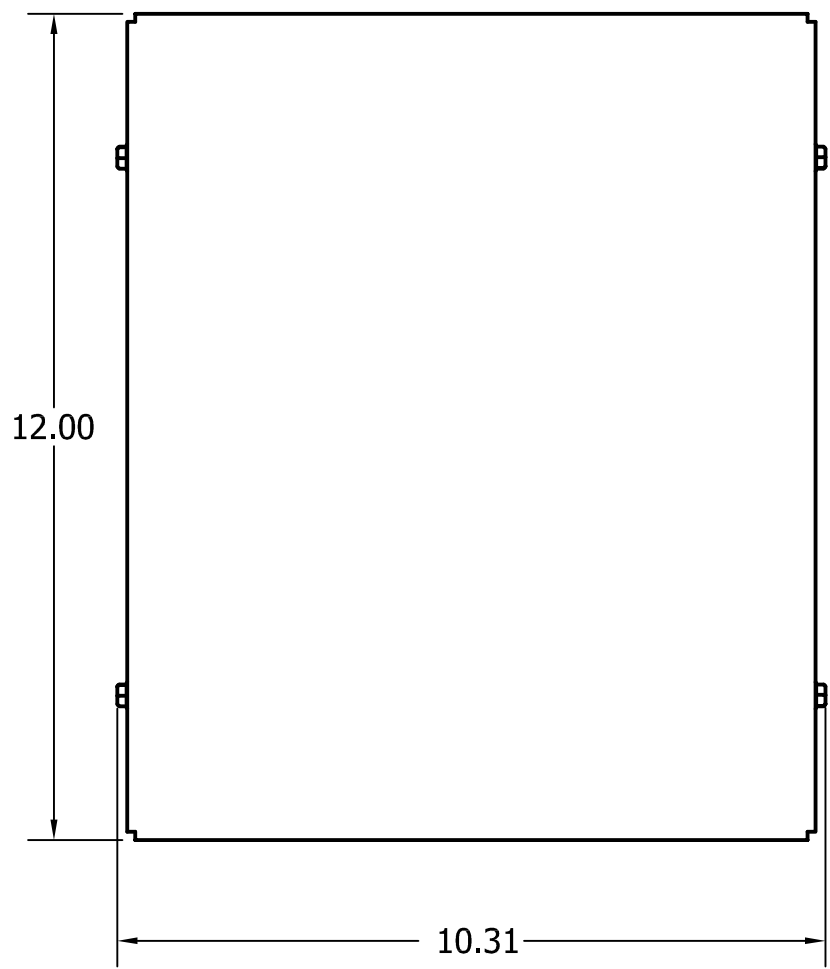
4

3

2

1

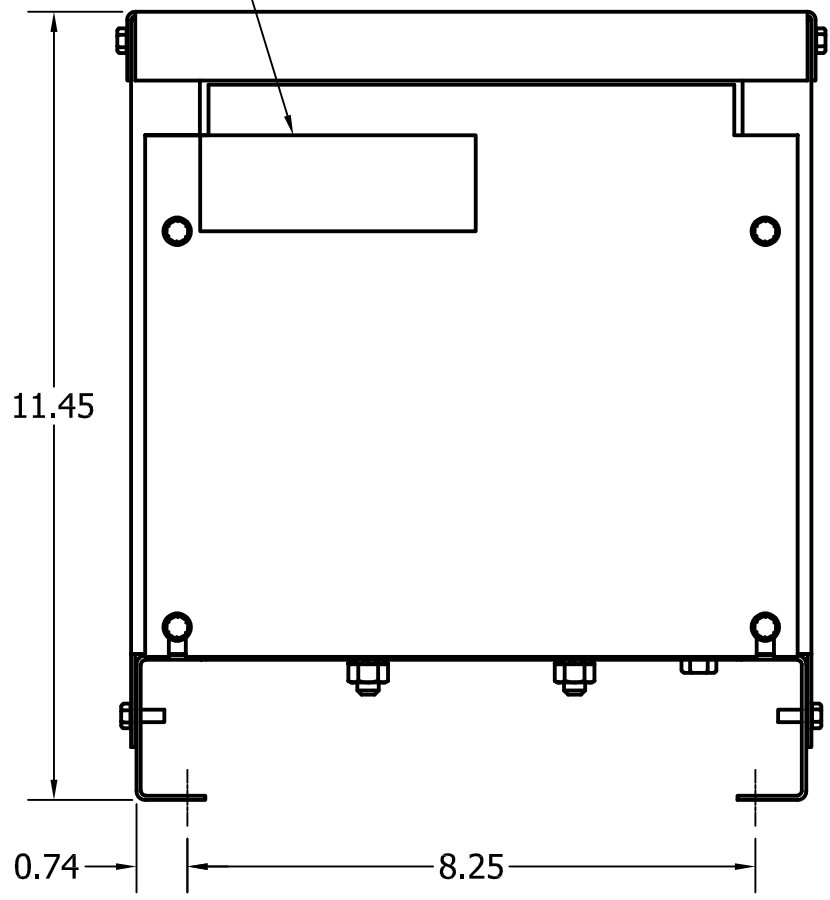
Top View



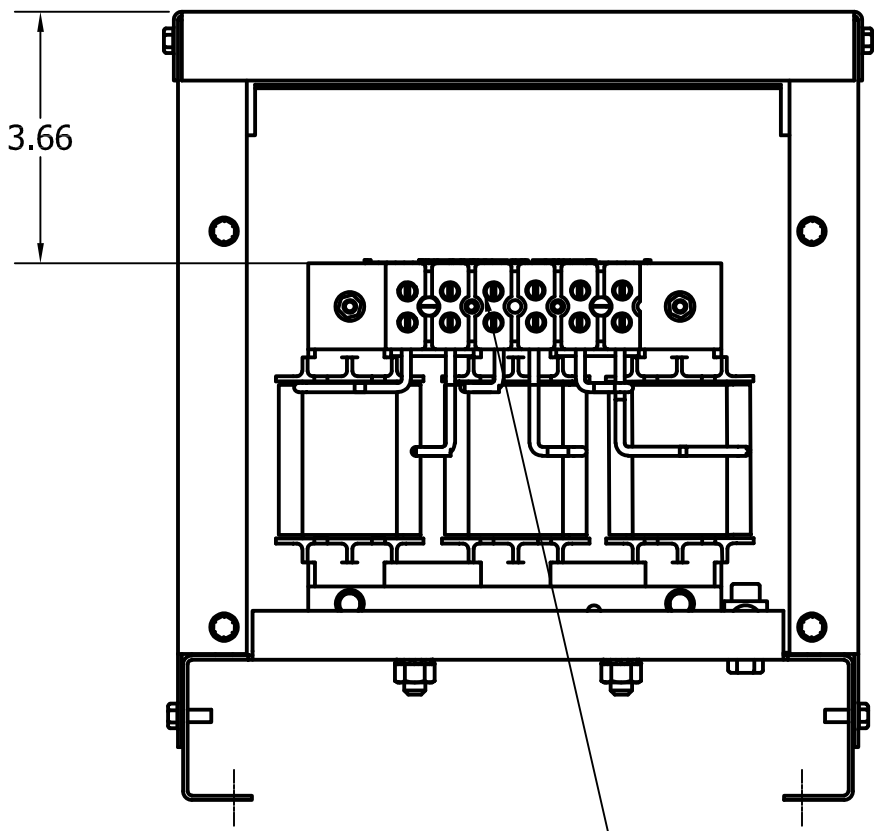
Ground Lug.  
See IOM Manual, Part# 30895  
Table S2/0, Wire Size And Torque.

Suggested  
Customer Wire Entrance  
Bottom Of Enclosure.  
See Note: 7  
(Non Removeable Panel)

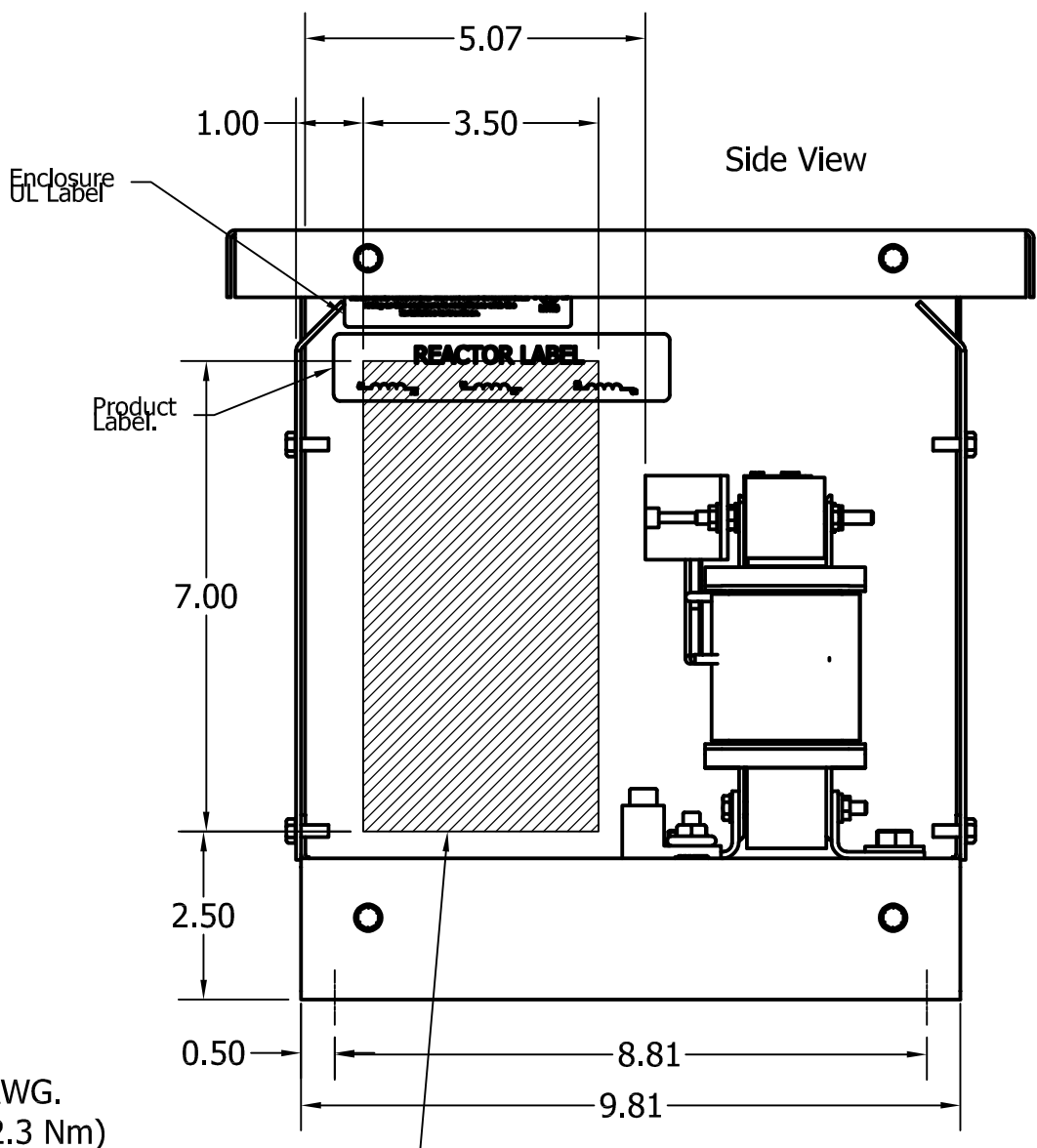
TCI Logo Front View With Front Cover



Front View Without Front Cover

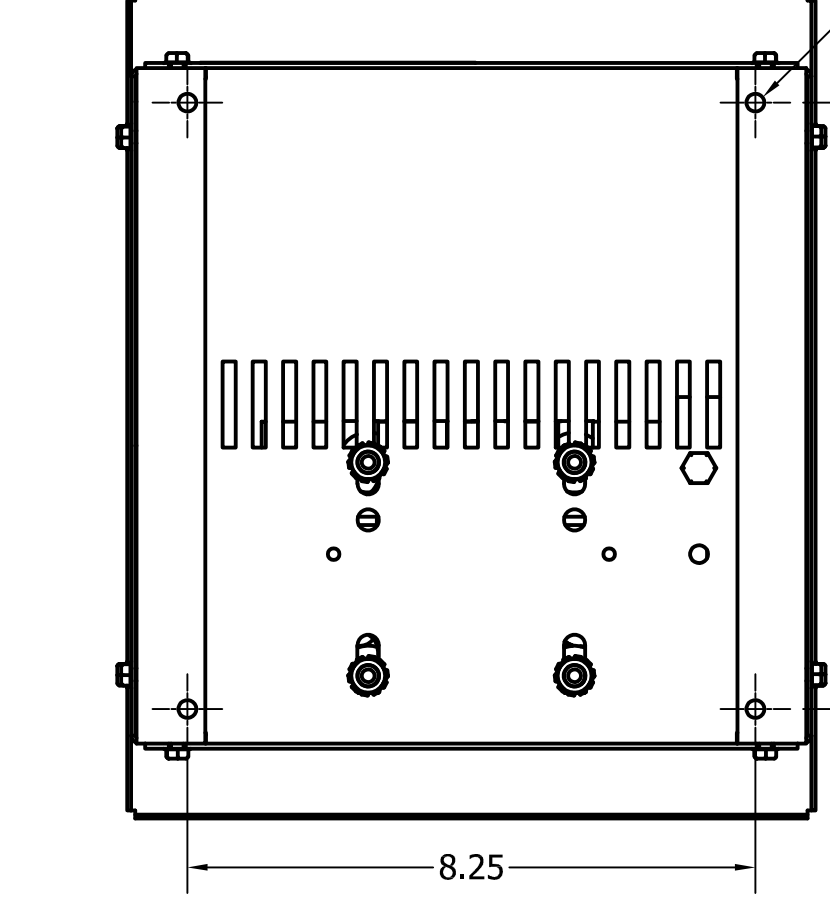


Wire Range: 4 - 18 AWG.  
Torque : 20 In-lbs (2.3 Nm)

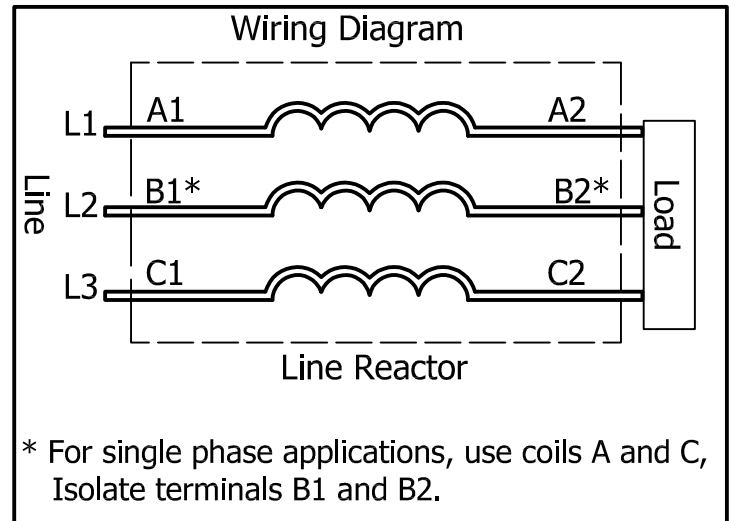


Suggested  
Customer Entrance  
Either Side Of Enclosure.  
See Note: 7  
(Non Removeable Panel)

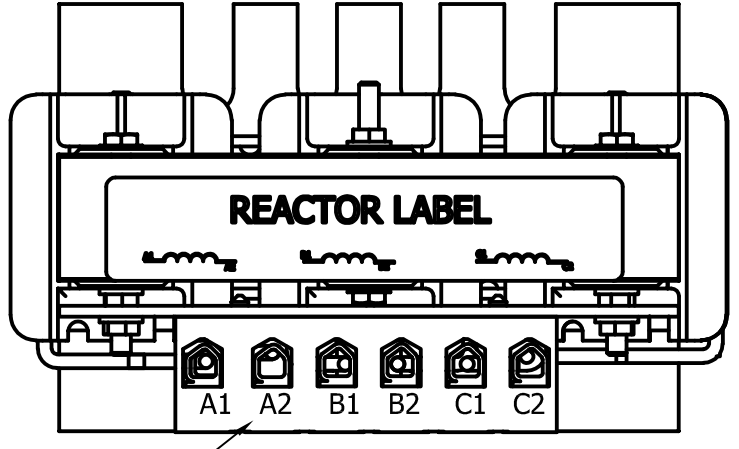
Bottom View



0.27 Dia Holes  
4 Places, (Bottom of Enclosure)



\* For single phase applications, use coils A and C,  
Isolate terminals B1 and B2.



Markings On  
Terminal Block For  
Reference Only.

208/240 Rated Voltage, 600 Max Voltage, High Z, Impedance.						
Part Number	Horsepower (HP)	Motor Amps (A)	Maximum Amps (A)	Inductance (uH)	Weight (LBS)	Losses (W)
KDRC22HE3R	20	59.4	62	278	30	113

480 Rated Voltage, 600 Max Voltage, High Z, Impedance.						
Part Number	Horsepower (HP)	Motor Amps (A)	Maximum Amps (A)	Inductance (uH)	Weight (LBS)	Losses (W)
KDRC3HE3R	20	27	27	1210	30	108
KDRC1HE3R	25	34	35	980	30	112

480 Rated Voltage, 600 Max Voltage, Low Z, Impedance.						
Part Number	Horsepower (HP)	Motor Amps (A)	Maximum Amps (A)	Inductance (uH)	Weight (LBS)	Losses (W)
KDRC1LE3R	40	52	55	387	30	114

575 Rated Voltage, 600 Max Voltage, High Z, Impedance.						
Part Number	Horsepower (HP)	Motor Amps (A)	Maximum Amps (A)	Inductance (uH)	Weight (LBS)	Losses (W)
KDRC43HE3R	25	27	30	1670	30	107

575 Rated Voltage, 600 Max Voltage, Low Z, Impedance.						
Part Number	Horsepower (HP)	Motor Amps (A)	Maximum Amps (A)	Inductance (uH)	Weight (LBS)	Losses (W)
KDRC43LE3R	40	41	41	672	30	109
KDRC44LE3R	50	52	52	529	30	123

480 Rated Voltage, 600 Max Voltage, Output						
Part Number	Horsepower (HP)	Motor Amps (A)	Maximum Amps (A)	Inductance (uH)	Weight (LBS)	Losses (W)
KDRC1PE3R	40	52	55	246	30	70

575 Rated Voltage, 600 Max Voltage, Output						
Part Number	Horsepower (HP)	Motor Amps (A)	Maximum Amps (A)	Inductance (uH)	Weight (LBS)	Losses (W)
KDRC31PE3R	50	52	55	237	30	70

**TCI** (800) 824-8282 [transcoil.com](http://transcoil.com)  
 KDRUL Drive Reactor  
 KDR- Motor Amps -  
 3PH, 240/208V, -1/2" Rated, 600V Max, -A Max, RoHS  
 40C Amb Max, 135C Rise  
 Manual #30895

- Notes:
- For KDRUL Version, See Sheet 2
  - UL file number: cULus Listed File E116124.
  - KDR Drive Reactors Comply With The Thermal and Altitude Standards Set Forth by NEMA ST20-1992.
  - KDR IOM Manual Part Number 30895
  - NEC Current For 208/240 Volts, Horsepower Based On 208 Volts.
  - Material(s) Shall be RoHS Compliant
  - Customer Is Responsible For Installation To Meet All National And Local Electrical Codes.

TCI, LLC CLAIMS PROPRIETARY RIGHTS IN THE MATERIAL HEREIN DISCLOSED. IT IS SUPPLIED WITHOUT PREJUDICE TO ANY PATENT RIGHTS OF TCI AND MAY NOT BE REPRODUCED OR USED TO MANUFACTURE ANYTHING SHOWN THEREIN WITHOUT WRITTEN PERMISSION FROM TCI.				TOLERANCES (EXCEPT AS NOTED) DECIMAL .XX ± .25 .XXX ± .10 FRACTIONAL ± 1/16 ANGULAR ± 1°		W132 N10611 Grant Drive Germantown, WI 53022 KDR C Frame, Terminal Block, Enclosed Type 3R, Reactor Drawing DRN BY: DSW DATE: 4/23/18 107549DG SCALE: 1/3 APRVD: C SIZE: C SHEET 1 OF 4	
NO	REVISION	DATE	BY				

4

3

2

1