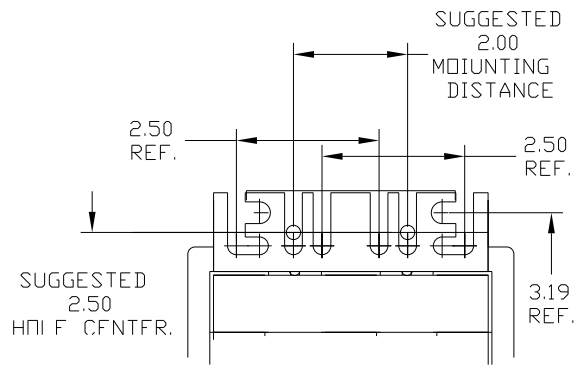
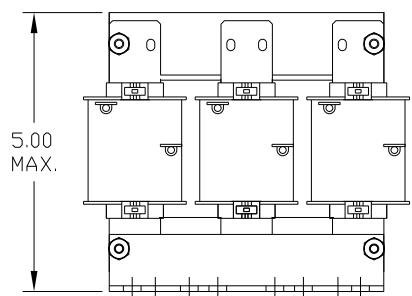
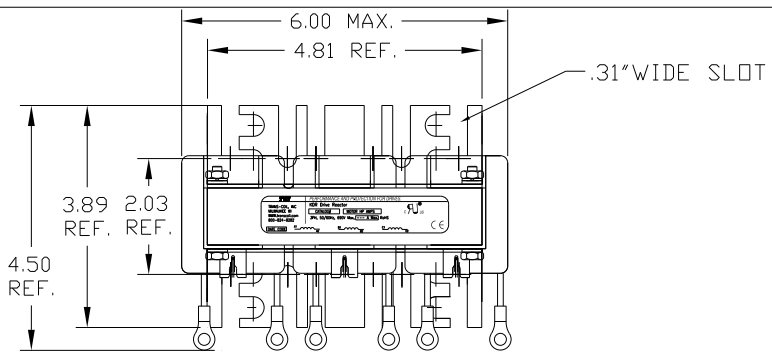


VOLTAGE	NEC MOTOR HP	CATALOG NO	NEC MOTOR CURRENT	AMPS MAX	WATTS LOSS	APPROX WT-LBS	RING LUG HOLE SIZE
690	15	KDRB44HV	17	18.5	73	8	.25
HIGH-Z							



TCL PERFORMANCE AND PROTECTION FOR DRIVES.
 KDR Drive Reactor
 TRANS-COIL, INC. MILWAUKEE, WI WWW.transcoil.com 800-824-8282
 CATALOG# MOTOR HP AMPS
 3PH, 50/60Hz, 690V Max, [--- A Max] RoHS
 DATE CODE A1 A2 B1 B2 C1 C2

				TOLERANCES (EXCEPT AS NOTED)	7878 N. 86th STREET MILWAUKEE, WI 53224
				DECIMAL	
				.XX ± .03 .XXX ± .01	
				FRACTIONAL ± 1/32	
				ANGULAR ± 1/2°	DRN. BY DSW DATE 02/07/07 DWG. NO. B SCALE TO FIT APRVD. B
NO	REVISION	DATE	BY		KDRB44HV SHT. 1 OF 1