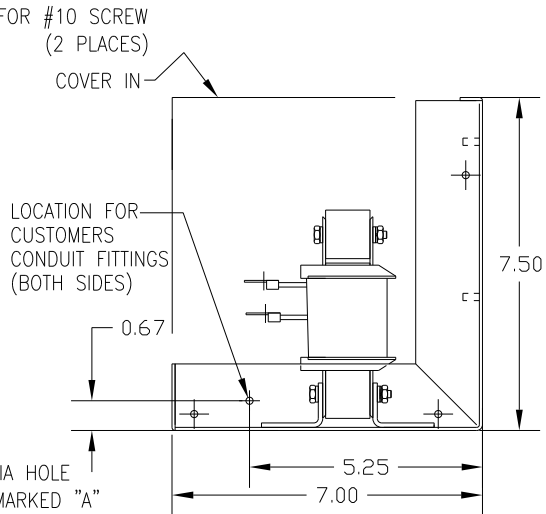
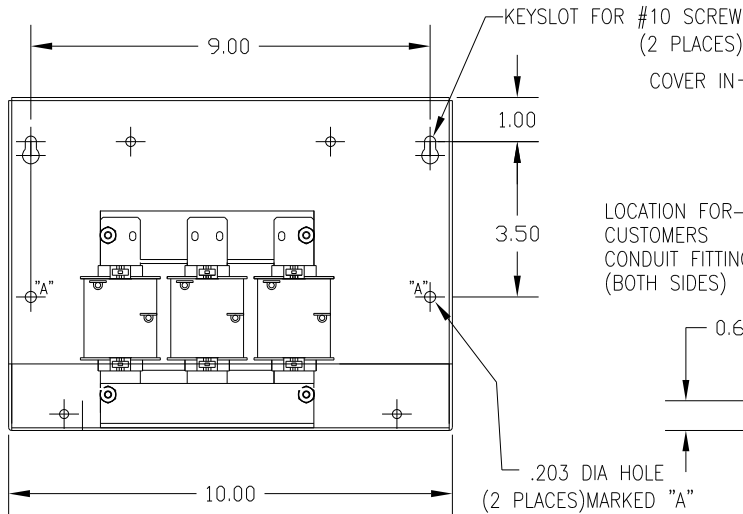
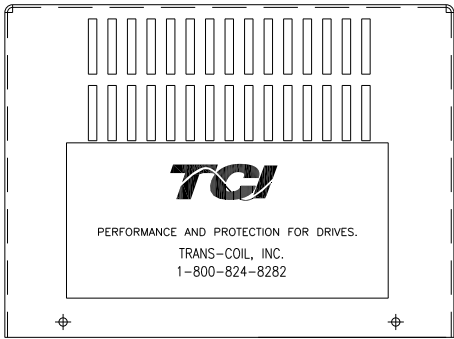
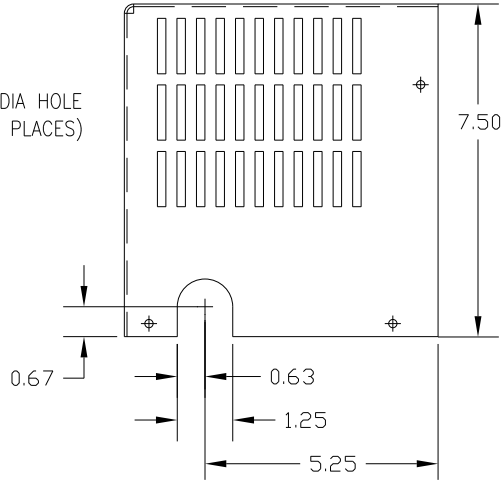
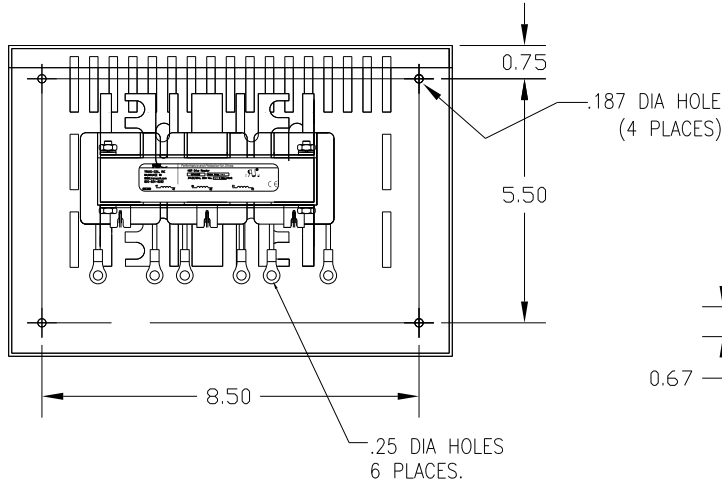
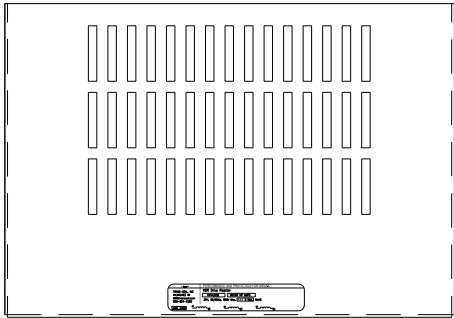


CATALOG NO	VOLTAGE	NEC MOTOR HP	NEC MOTOR CURRENT	WATTS LOSS	APPROX WT-LBS
KDRB44HC2V	690	15	17	73	14



CUSTOMER IS RESPONSIBLE FOR INSTALLATION TO MEET ALL NATIONAL AND LOCAL ELECTRICAL CODES.

NO	REVISION	DATE	BY	TOLERANCES (EXCEPT AS NOTED)	DRN. BY	DATE	APRVD.	DWG. NO.	SCALE
				DECIMAL	DSW	2/17/12		B	
				.XX ± .03					
				.XXX ± .01					
				FRACTIONAL					
				± 1/32					
				ANGULAR					
				± 1/2°					

TCI 7878 N. 86th STREET
MILWAUKEE, WI 53224

KDR DRIVE REACTOR, ENCLOSED
690V HIGH Z, FRAME B

SHT. 1 OF 1