

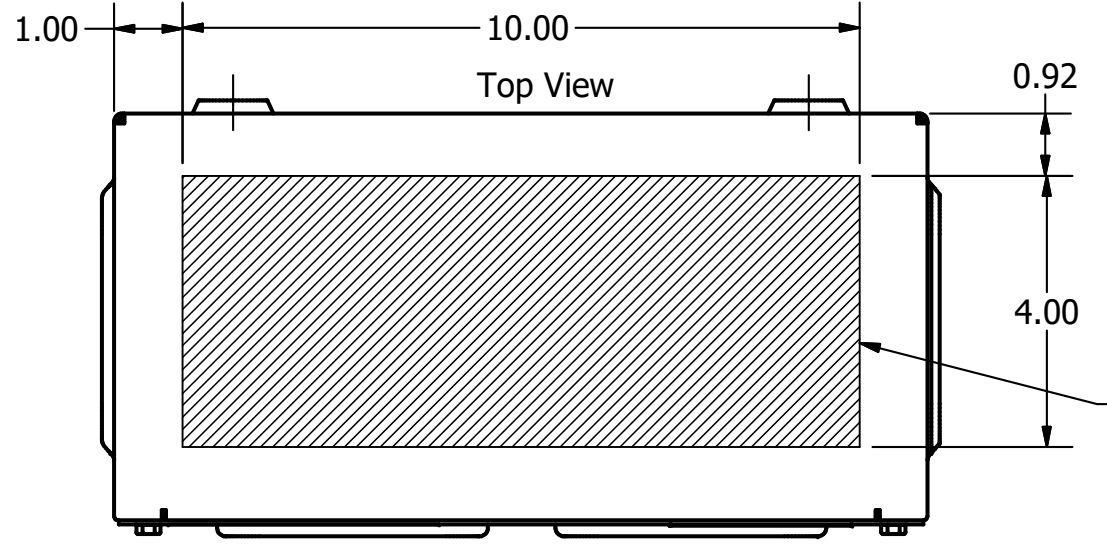
Ground Lug.
See IOM Manual, Part# 30895
Table S2/0, Wire Size And Torque.

480 Rated Voltage, 690 Max Voltage, High Z, Impedance.						
Part Number	Horsepower (HP)	Motor Amps (A)	Maximum Amps (A)	Inductance (uH) +/-10%	Weight (LBS)	Losses (W)
KDRAA9H2E01	1 1/2	3.00	4.0	12300	13.2	37
KDRAA1H2E01	2	3.40	3.8	10800	13.2	45
KDRAA2H2E01	3	4.80	5.4	7650	13.4	42
KDRAA6H2E01	4	6.20	7.6	5930	13.8	50
KDRAA3H2E01	5	7.60	8.2	4840	14.1	66
KDRAA3H2E01	5 1/2	8.20	8.2	4840	14.1	74

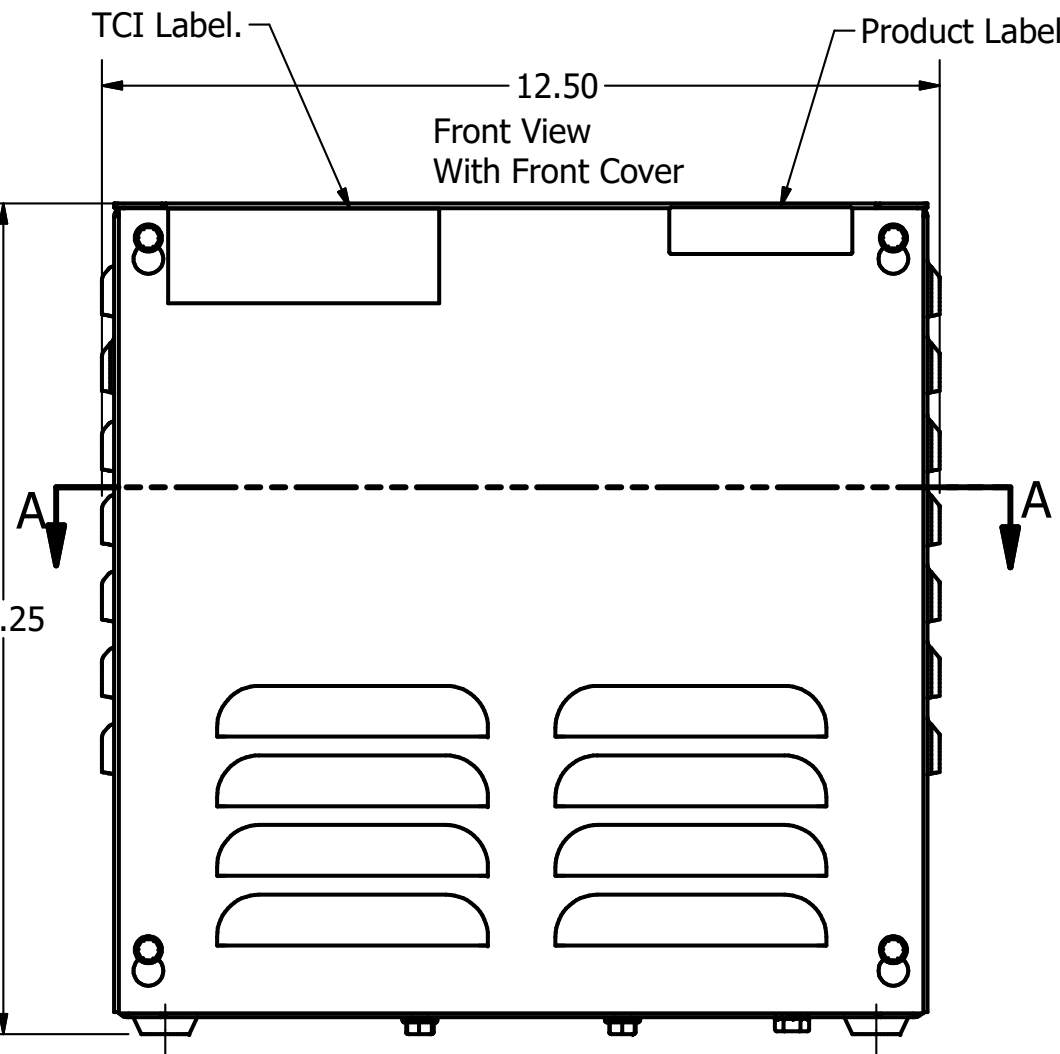
480 Rated Voltage, 690 Max Voltage, Low Z, Impedance.						
Part Number	Horsepower (HP)	Motor Amps (A)	Maximum Amps (A)	Inductance (uH) +/-10%	Weight (LBS)	Losses (W)
KDRAA9L2E01	1 1/2	3.00	4.5	7400	13.4	25
KDRAA6L2E01	4	6.20	7.6	3560	13.4	39
KDRAA3L2E01	5	7.60	8.2	2900	13.4	45
KDRAA3L2E01	5 1/2	8.20	8.2	2900	13.4	49
KDRAA4L2E01	7 1/2	11.0	11.6	2000	13.4	63

600 Rated Voltage, 690 Max Voltage, High Z, Impedance.						
Part Number	Horsepower (HP)	Motor Amps (A)	Maximum Amps (A)	Inductance (uH) +/-10%	Weight (LBS)	Losses (W)
KDRAA46H2E01	1 1/2	2.40	3.2	19100	13.3	31
KDRAA43H2E01	2	2.70	3.4	17000	13.1	37
KDRAA44H2E01	3	3.90	4.5	11800	13.3	47
KDRAA57H2E01	4	4.90	6.0	9380	13.9	48
KDRAA58H2E01	5	6.10	6.8	7530	13.8	44
KDRAA58H2E01	5 1/2	6.60	6.8	7530	13.8	47

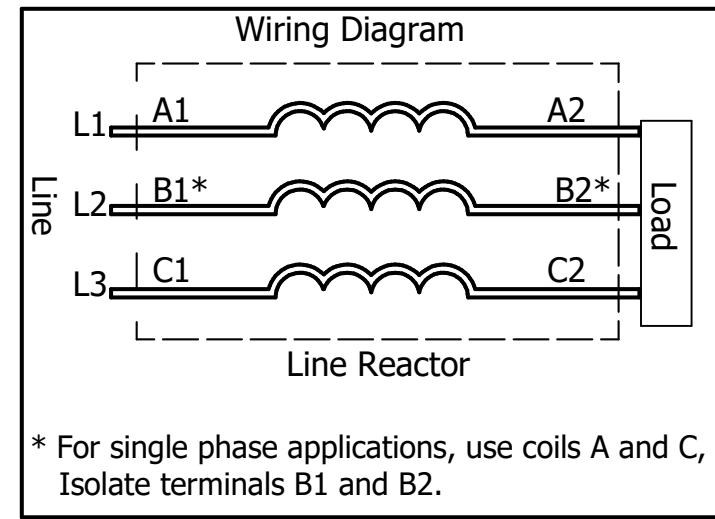
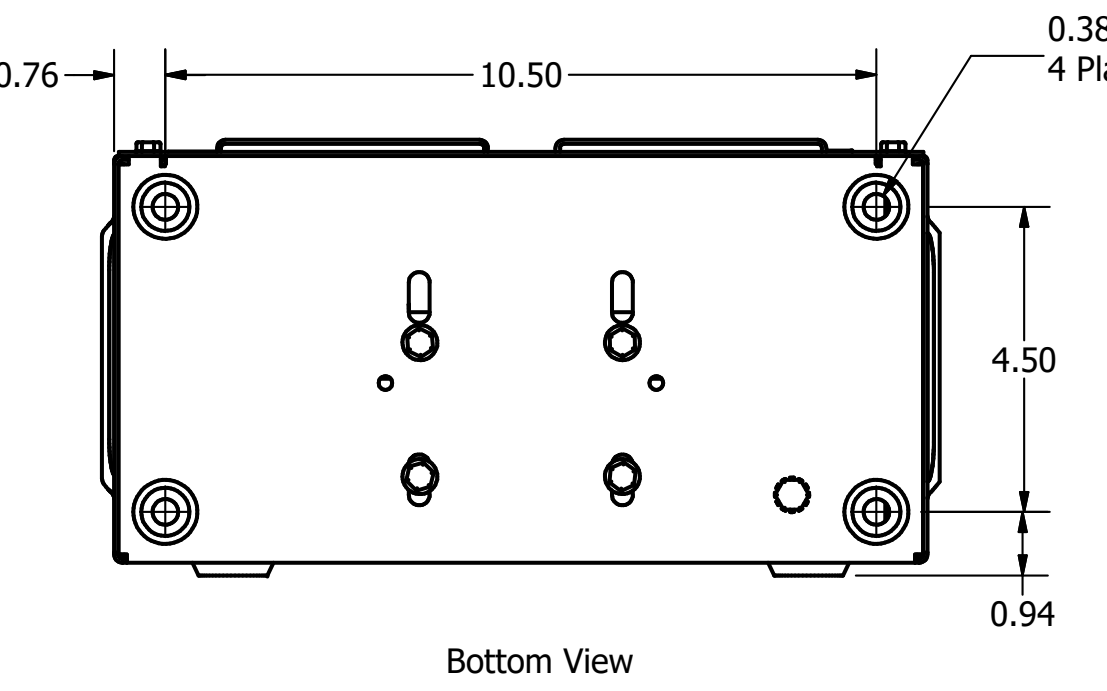
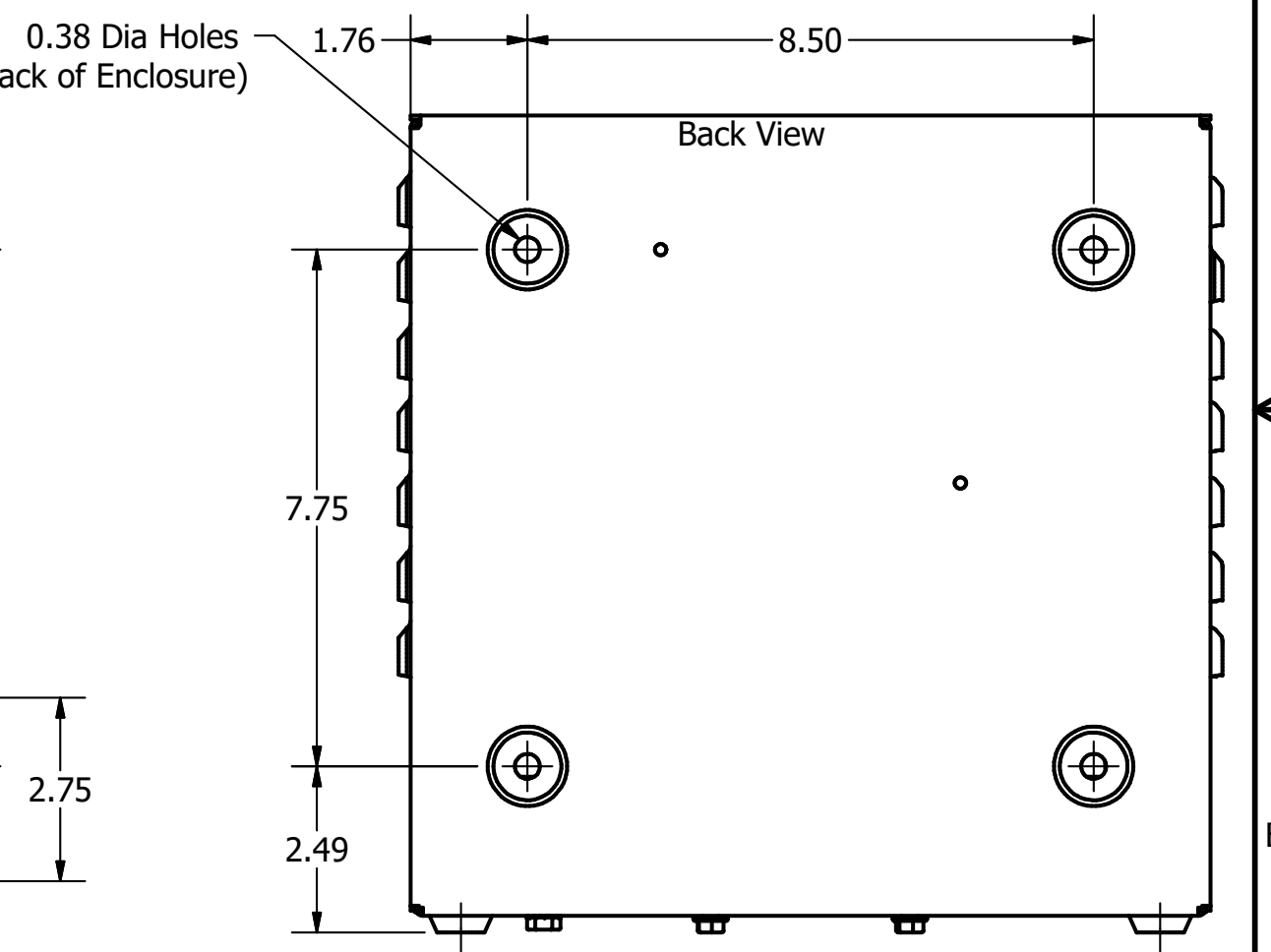
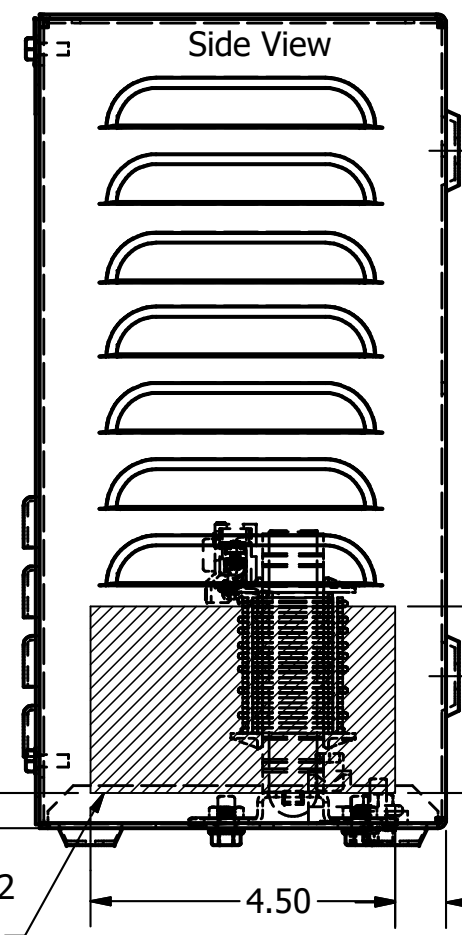
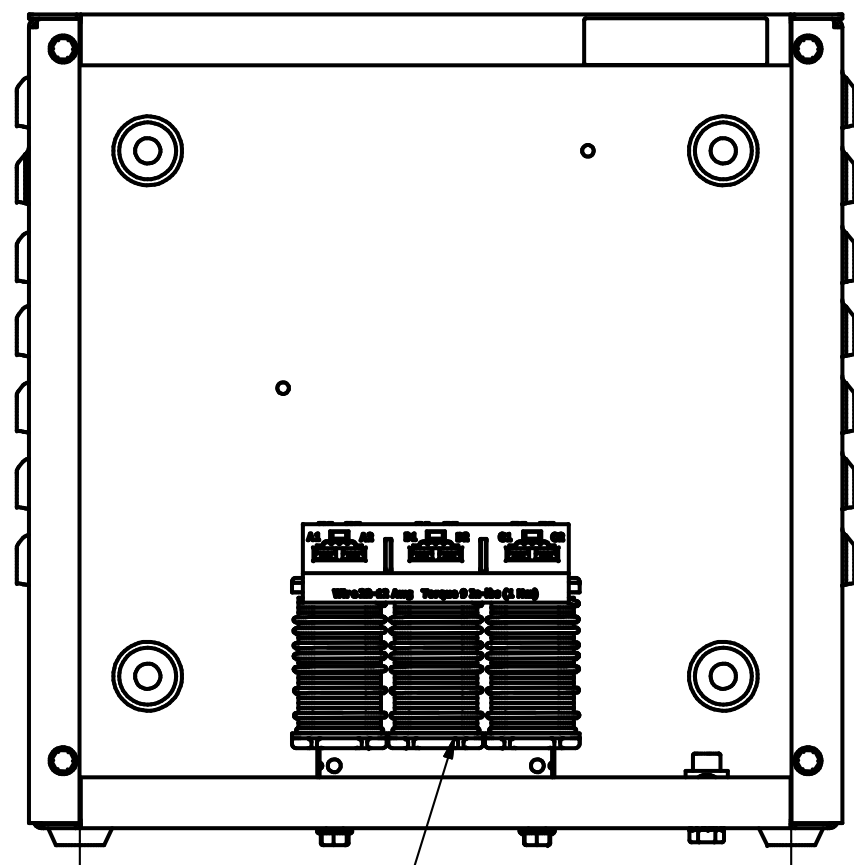
600 Rated Voltage, 690 Max Voltage, Low Z, Impedance.						
Part Number	Horsepower (HP)	Motor Amps (A)	Maximum Amps (A)	Inductance (uH) +/-10%	Weight (LBS)	Losses (W)
KDRAA47L2E01	2	2.70	4.8	10200	13.2	19
KDRAA52L2E01	3	3.90	4.8	7070	13.9	30
KDRAA57L2E01	4	4.90	7.6	5630	13.3	30
KDRAA58L2E01	5	6.10	7.6	4520	13.4	39
KDRAA58L2E01	5 1/2	6.60	7.6	4520	13.4	44
KDRAA48L2E01	7 1/2	9.00	9.6	3100	13.6	57



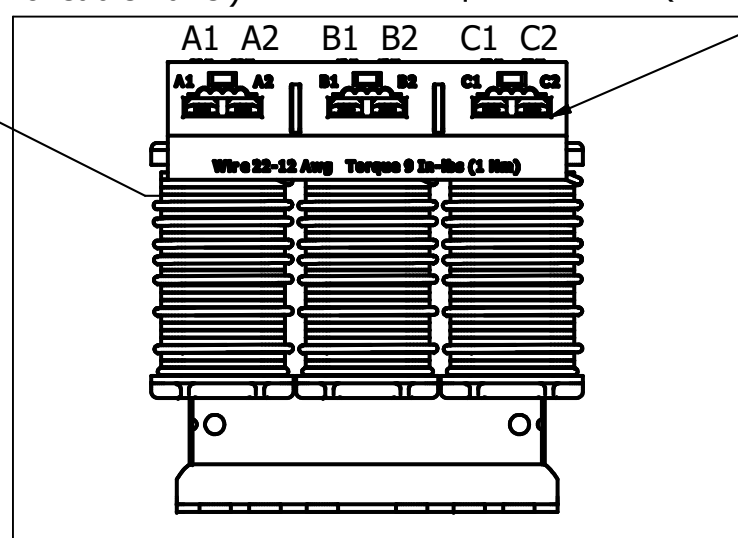
Suggested Customer Wire Entrance
Top Of Enclosure.
See Note: 5
(Non Removeable Panel)



Front View Without Front Cover



* For single phase applications, use coils A and C, Isolate terminals B1 and B2.



TCI, LLC | Germantown, WI | transcoil.com

KDR Drive Reactor
KDR — Motor Amps —
3PH 50/60Hz, —V Rated, 690V Max, —A Max, RoHS
50C Amb Max 135C Rise, Manual # 30895

UL LISTED
cULus LISTED
CE

Date Code

- Notes: 1. UL file number: cULus Listed File E116124.
2. KDR Drive Reactors Comply With The Thermal and Altitude Standards Set Forth by NEMA ST20-1992.
3. KDR IOM Manual Part Number 30895
4. Material(s) Shall be RoHS Compliant
5. User To Punch Own Holes For Wire Entry.
6. Customer Is Responsible For Installation To Meet All National And Local Electrical Codes.

TCI, LLC CLAIMS PROPRIETARY RIGHTS IN THE MATERIAL HEREIN DISCLOSED. IT IS SUPPLIED WITHOUT PREJUDICE TO ANY PATENT RIGHTS OF TCI AND MAY NOT BE REPRODUCED OR USED TO MANUFACTURE ANYTHING SHOWN THEREIN WITHOUT WRITTEN PERMISSION FROM TCI.				TOLERANCES (EXCEPT AS NOTED) DECIMAL XX ± .25 .XXX ± .10 FRACTIONAL ± 1/16 ANGULAR ± 1°		W132 N10611 Grant Drive Germantown, WI 53022 KDR AA Frame, Terminal Block, Enclosed, Type 1 Reactor Drawing DRN BY: DSW DATE: 10/20/17 107185DG SCALE: 1/3 APRVD: SIZE: C SHT. 1 OF 1	
A	As Designed	10/20/17	DSW	NO	REVISION	DATE	BY