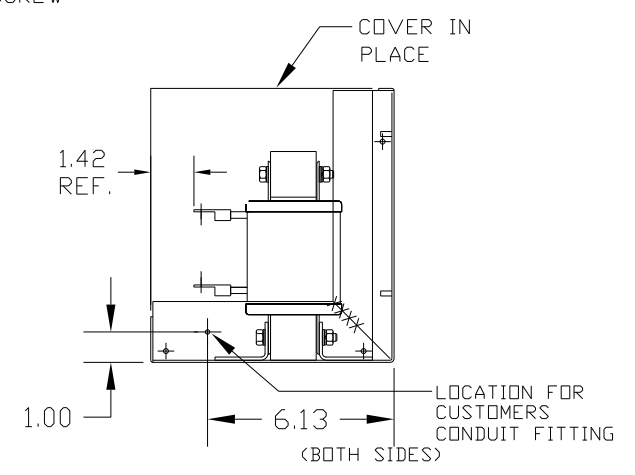
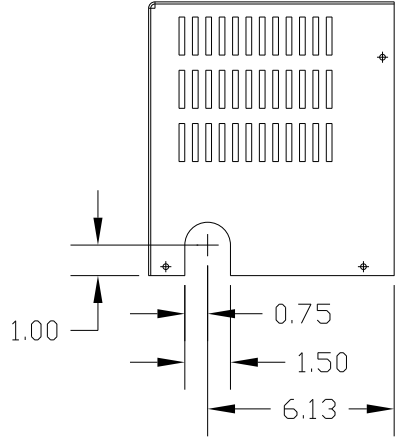
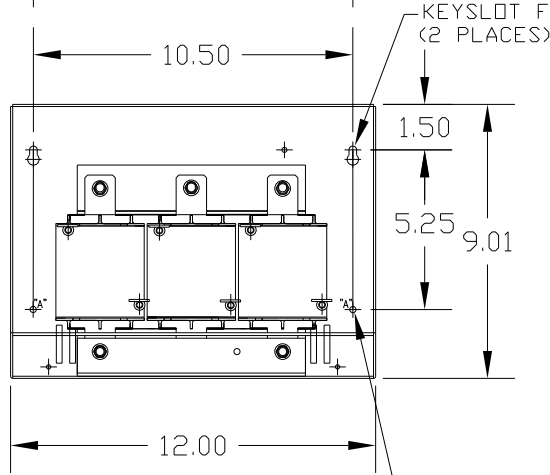
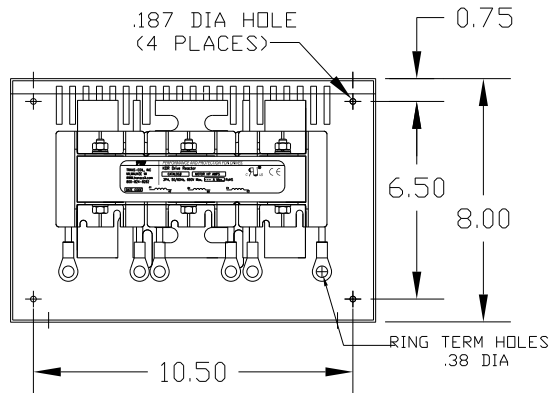
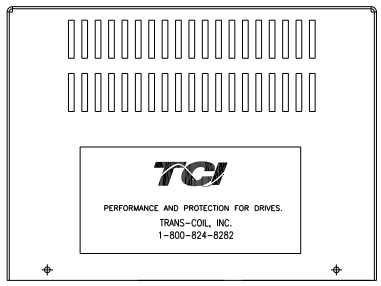
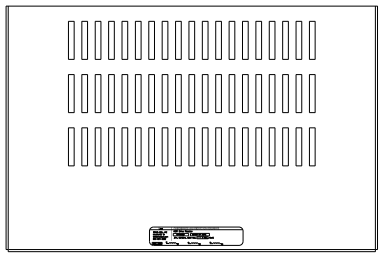


CATALOG NO	VOLTAGE	NEC MOTOR HP	NEC MOTOR CURRENT	WATTS LOSS	APPROX WT-LBS
KDRF47LC3V	690	75	77	194	42



.203 DIA HOLE (2 PLACES) MARKED "A"

CUSTOMER IS RESPONSIBLE FOR INSTALLATION TO MEET ALL NATIONAL AND LOCAL ELECTRICAL CODES.

NO	REVISION	DATE	BY	TOLERANCES (EXCEPT AS NOTED)	DECIMAL	FRACTIONAL	ANGULAR	DRN BY	DATE	SCALE	ENGR. NO.	APRVD.	REV. NO.	DESCRIPTION
					.XX ± .03	.XXX ± .01	± 1/32	DSW	2/16/12		B		B	KDR DRIVE REACTOR, ENCLOSED 690V LOW Z, FRAME F
							± 1/2°							KDRF47LC3V
														SHT. 1 of 1

**TCI** 7878 N. 86th STREET MILWAUKEE, WI 53224