

# 250° Long Scale Panel Meters



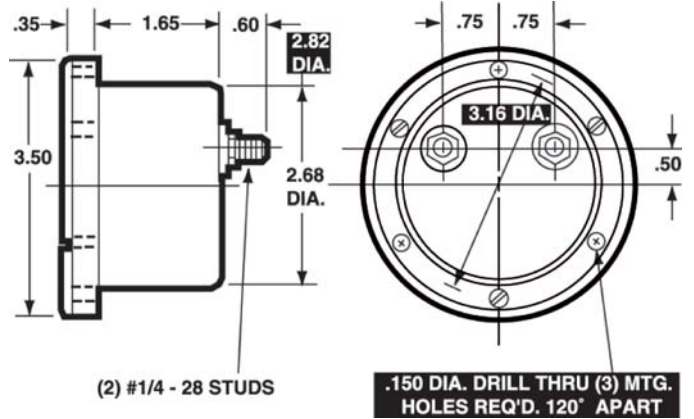
- **Excellent readability -- more than double the scale length of standard movements**
- **Sealed round metal or square plastic cases with glass windows**
- **Zero adjust from front panel**

## Specifications

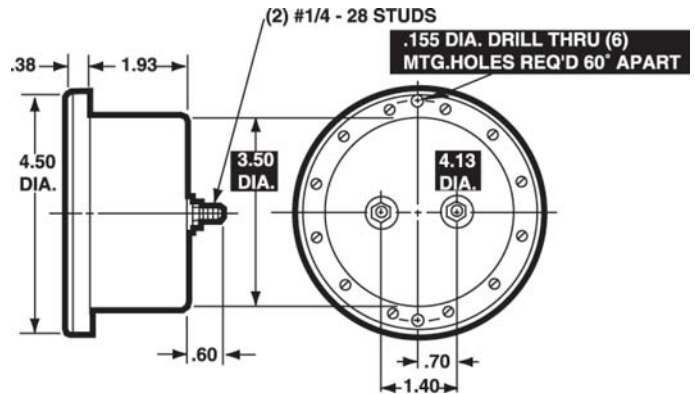
<b>Accuracy:</b>	AC: $\pm 3\%$ full scale (F.S.) DC: $\pm 2\%$ full scale (F.S.)
<b>Movement:</b>	AC: Rectifier type, DC: self-shielded, permanent magnet
<b>Suspension:</b>	Pivot and jewel
<b>Tracking:</b>	$\pm 3\%$
<b>Shielding:</b>	Calibration is unaffected by magnetic panel mounting.
<b>Response Time:</b>	1.5 seconds maximum
<b>Overload (1 sec.):</b>	10 times F.S.
<b>Overload (Continuous):</b>	1.5 times F.S.
<b>Repeatability:</b>	2%
<b>Dial:</b>	Sharp clear scale. Each dial arc is calibrated to track the specific type of movement used.
<b>Case:</b>	Models 2523, 2524, 2543 & 2544: Metal Models 2123L, 2143L: Black plastic $\pm 15\%$ of meter impedance
<b>Resistance:</b>	
<b>Operating Temperature:</b>	$-4^{\circ}\text{F}$ to $+149^{\circ}\text{F}$ ( $-20^{\circ}\text{C}$ to $+65^{\circ}\text{C}$ )
<b>Pointer:</b>	Red, knife-edge
<b>Scale Length:</b>	Models 2123L, 2523, 2543 & 2143L: 4.77" (121.16mm) Models 2524, 2544: 6.54" (166.0mm)
<b>Net Weight:</b>	Models Model 2523, 2123L, 2543 & 2143L: 8oz (230g) Models 2524, 2524, 2544: 9oz (260g)

## Dimensions

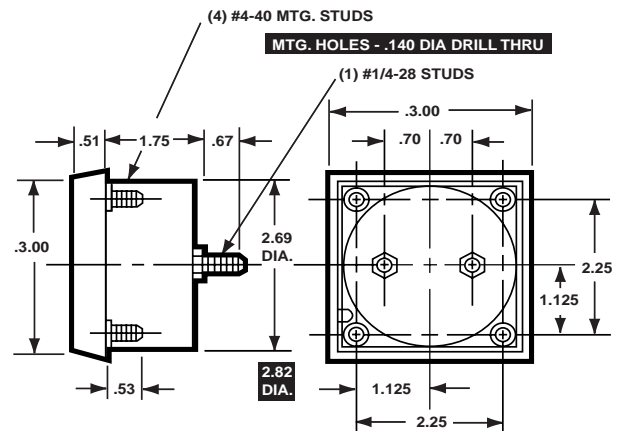
3 - 1/2"-Model 2543, 2523  
Round Style



4 - 1/2"-Model 2524, 2544  
Round Style



3 - 1/2"-Model 2123L, 2143L  
Square Style



1 = Panel Meter Cut-out Dimensions