

Datasheet - BPS 260-2

Safety sensors / BNS 260 / Actuator / BPS 260



Preferred typ



• Actuator 90 ° attached to the sensor

(Minor differences between the printed image and the original product may exist!)

Ordering details

Product type description	BPS 260-2
Article number	101184396
EAN code	4030661321943
eCl@ss	27-27-92-17

Global Properties

Product name	Magnet
Materials	
- Material of the housings	Plastic
Weight	13.5 g
notice	Actuator 90 ° attached to the sensor

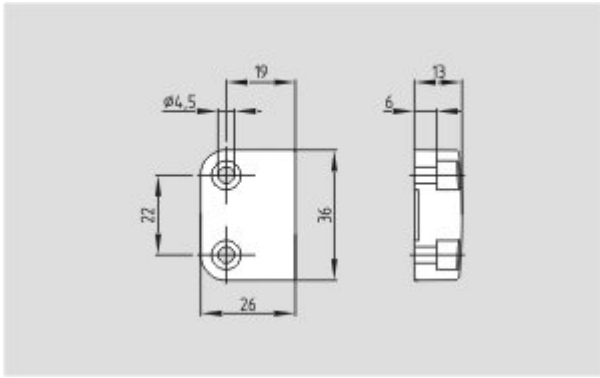
Mechanical data

Actuation direction	90°
---------------------	-----

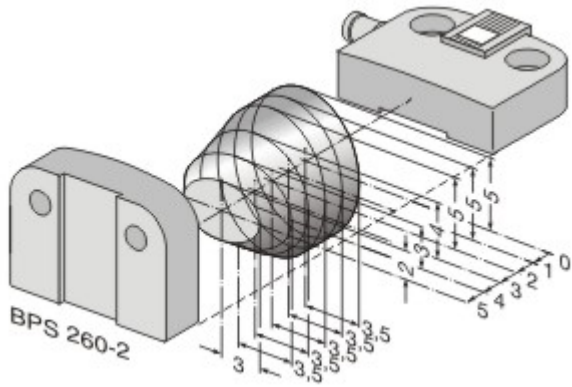
Dimensions

Dimensions of the actuators	
- Width of the actuator	26 mm
- Height of the actuator	36 mm
- Length of the actuator	13 mm

Images



Dimensional drawing (miscellaneous)



Characteristic curve

K.A. Schmersal GmbH & Co. KG, Mödinghofe 30, D-42279 Wuppertal
The data and values have been checked thoroughly. Technical modifications and errors excepted.
Generiert am 18.07.2016 - 19:11:05h Kasbase 3.2.4.F.64I