



EN Operating instructions.pages 1 to 6
Original

Content

1 About this document

1.1 Function 1

1.2 Target group: authorised qualified personnel. 1

1.3 Explanation of the symbols used 1

1.4 Appropriate use 1

1.5 General safety instructions 1

1.6 Warning about misuse 1

1.7 Exclusion of liability 2

2 Product description

2.1 Ordering code 2

2.2 Special versions. 2

2.3 Purpose 2

2.4 Technical data 2

2.5 Safety classification 3

3 Mounting

3.1 General mounting instructions 3

3.2 Dimensions 3

3.3 Emergency stop command device EDRRS... 3

3.4 Contact element EF... 4

4 Electrical connection

4.1 Important notes 4

4.2 Contact variants 4

4.3 Switch travel. 4

5 Set-up and maintenance

5.1 Functional testing. 4

5.2 Maintenance 4

6 Disassembly and disposal

6.1 Disassembly. 4

6.2 Disposal 4

7 EU Declaration of conformity

1. About this document

1.1 Function

This operating instructions manual provides all the information you need for the mounting, set-up and commissioning to ensure the safe operation and disassembly of the safety switchgear. The operating instructions must be available in a legible condition and a complete version in the vicinity of the device.

1.2 Target group: authorised qualified personnel

All operations described in this operating instructions manual must be carried out by trained specialist personnel, authorised by the plant operator only.

Please make sure that you have read and understood these operating instructions and that you know all applicable legislations regarding occupational safety and accident prevention prior to installation and putting the component into operation.

The machine builder must carefully select the harmonised standards to be complied with as well as other technical specifications for the selection, mounting and integration of the components.

1.3 Explanation of the symbols used



Information, hint, note:

This symbol is used for identifying useful additional information.



Caution: Failure to comply with this warning notice could lead to failures or malfunctions.

Warning: Failure to comply with this warning notice could lead to physical injury and/or damage to the machine.

1.4 Appropriate use

The products described in these operating instructions are developed to execute safety-related functions as part of an entire plant or machine. It is the responsibility of the manufacturer of a machine or plant to ensure the correct functionality of the entire machine or plant.

The safety switchgear must be exclusively used in accordance with the versions listed below or for the applications authorised by the manufacturer. Detailed information regarding the range of applications can be found in the chapter "Product description".

1.5 General safety instructions

The user must observe the safety instructions in this operating instructions manual, the country specific installation standards as well as all prevailing safety regulations and accident prevention rules.



Further technical information can be found in the Schmersal catalogues or in the online catalogue on the Internet: www.schmersal.net.

The information contained in this operating instructions manual is provided without liability and is subject to technical modifications.

There are no residual risks, provided that the safety instructions as well as the instructions regarding mounting, commissioning, operation and maintenance are observed.

1.6 Warning about misuse



In case of improper use or manipulation of the safety switchgear, personal hazards or damages to machinery or plant components cannot be excluded. The relevant requirements of the standard ISO 13850 must be observed.

1.7 Exclusion of liability

We shall accept no liability for damages and malfunctions resulting from defective mounting or failure to comply with this operating instructions manual. The manufacturer shall accept no liability for damages resulting from the use of unauthorised spare parts or accessories.

For safety reasons, invasive work on the device as well as arbitrary repairs, conversions and modifications to the device are strictly forbidden; the manufacturer shall accept no liability for damages resulting from such invasive work, arbitrary repairs, conversions and/or modifications to the device.

2. Product description

2.1 Ordering code

This operating instructions manual applies to the following types:

EDR ^{①④②③} Operating element		
No.	Option	Description
①	RS	with cylinder lock, unlocking only by key and pulling (EFR required)
②		Mounting hole 22,3 mm
	VH	Mounting hole 30,5 mm
③	RT	Lock with red lid

In combination with the following contact variants:

EF ^{①...} Contact element		
No.	Option	Description
①	303	1 NC / 1 NO
	220	2 NC / 0 NO



For more information about contact versions, see section 4.2.

and the following spring elements:

EFR ^① Spring element		
No.	Option	Description
①		without earth connection
	EDRRS	with earth connection



When the EFR is used, the electrical connection in the PELV (extra-low voltage) must be executed in accordance with EN 60204-1.



By observing the information described in this operating instructions manual, the safety function and therefore the compliance with the Machinery Directive will be maintained.

2.2 Special versions

For special versions, which are not listed in the order code below 2.1, these specifications apply accordingly, provided that they correspond to the standard version.

2.3 Purpose

The EDRRS series of emergency stop command devices are designed for use in emergency stop circuits to ISO 13850.

2.4 Technical data

Pushbutton:

Standards:	ISO 13850; IEC 60947-5-1; IEC 60947-5-5; IEC 60947-1
Design:	emergency stop pushbutton with latching - front plate mounting
Unlocking:	by key and pull release
External snap-action mechanism:	yes, through EFR
Fully insulated:	No
Protection class IP:	IP65
Mechanical life:	100,000 operations
Actuating force:	approx. 25 N
Material:	
- Material of the operating unit:	anodised aluminium / chrome-plated brass
- Material of the front ring:	anodised aluminium
Colours	
- Operating unit colour:	red / silver
- Front ring colour:	silver
Dimensions:	
- Height:	29 mm (without key)
- Diameter of the operating button:	39 mm
- Hole diameter:	22.3 mm + 0.4 mm
- Form:	round
Fixing:	with mounting flange ELM
Tightening torque for the fixing screws:	0.6 Nm
Front plate thickness:	
- min. front plate thickness:	1 mm
- max. front plate thickness:	6 mm
Grid dimensions:	50 mm x 40 mm
Mounting position:	random
Ambient temperature:	-25 °C ... +75 °C
Contact element EF:	
Standards:	IEC 60947-1; IEC 60947-5-1
Material:	
- Material of the enclosure:	plastic, glass-fibre reinforced thermoplastic, self-extinguishing
- Material of the contacts:	fine silver, spring bronze or brass carrier
Utilisation category:	AC-15: 250V / 8 A DC-13: 24 V / 5 A (only in case of fully insulated device head)
Application:	When an EDRRS... with EFR is used, the electrical connection in the PELV (extra-low voltage) must be executed according to DIN EN 60204-1.
Rated insulation voltage U_i :	400 V
Rated impulse withstand voltage U_{imp} :	4 kV
Degree of pollution:	3
Overvoltage category:	III
Suitable low voltage:	≥ 5 VDC / 3.2 mA
Thermal test current I_{the} :	10 A
Max. fuse rating:	gG 10 A
Climatic resistance:	to EN 60068 part 2-30
Ambient temperature:	-25 °C ... +60 °C
Switch travel:	depending on the contact execution
Positive break travel:	2 mm
Test voltage enclosed:	2500 VAC
Actuating force at stroke end:	approx. 8 - 15 N
Switching frequency:	1200 s/h
Mechanical life:	10,000,000 operations
Bounce duration (100 mm/s):	< 5 ms
Resistance to shock:	110 g / 4 ms - 30 g / 18 ms, no bouncing
Shock resistance:	> 20 g / 10 ... 200 Hz (for actuating heads with higher mass accordingly lower)
Contact force:	0.5 N each contact point = 2 N each contact bridge
Wiring configuration:	to IEC 60947-1
Termination:	screw connection, flat plug-in connector, Cage-Clamp connection (in case of a Cage Clamp connection, the contact elements can not be additionally secured against loosening)

Tightening torque for the connecting screw:	max. 1 Nm
Cable sections:	
- single-strand:	2 x (0.5 ... 2.5 mm ²)
- multi-strand:	2 x (0.5 ... 1.5 mm ²)
- Flat plug-in connector:	6.3 mm x 0.8 mm / 2 x 2.8mm x 0.8 mm
Protection class:	
- Terminals:	IP20 (finger guard)
- Wiring compartments:	IP40
(with plug-in connector depending on the connector plug used)	
Approvals:	cULus (save cage clamp connection)

2.5 Safety classification

Standards:	ISO 13849-1
B _{10D} (NC contact):	100,000
Service life:	20 years

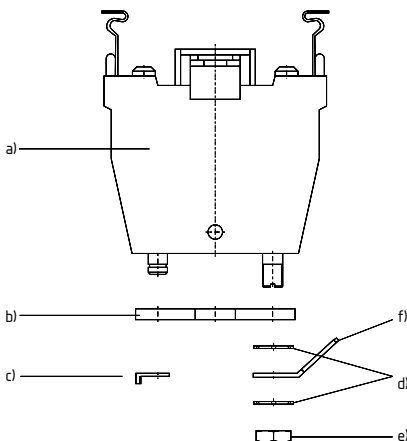
$$MTTF_D = \frac{B_{10D}}{0,1 \times n_{op}} \quad n_{op} = \frac{d_{op} \times h_{op} \times 3600 \text{ s/h}}{t_{cycle}}$$

3. Mounting

3.1 General mounting instructions

1. Fit the EDRRS... emergency stop actuator in non-actuated condition by means of the ELM mounting flange, align and tighten (max. 0.6 Nm).
2. Snap the EFR.EDRRS or EFR spring elements in the middle position of the ELM mounting flange (position 3).
3. The EMERGENCY STOP actuator EDRRS... is latched, (i.e. mechanically fixed), to the EFR.EDRRS or EFR spring element by actuation. By releasing with the key and pulling on the EMERGENCY STOP actuator, the spring element is tensioned again and the EMERGENCY STOP is returned to the ready position.
4. Snap the desired EF... contact elements onto the free positions to the right and to the left (position 1 and 2) next to the EFR.EDRRS or EFR spring element.
5. Mounting of the securing plate:

EFR.EDRRS with earth connection

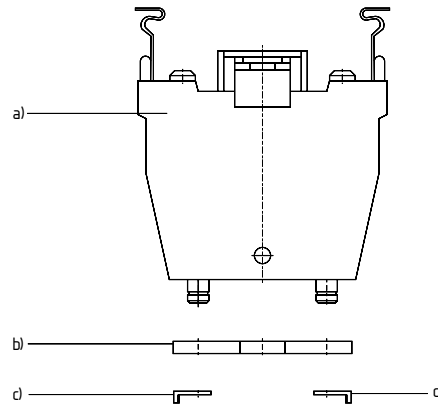


- a) EFR.EDRRS (Spring element with earth connection)
 In the EFR.EDRRS kit:
 b) Securing plate
 c) Securing ring
 d) 2x serrated lock washer
 e) Nut
 f) Earth connection



Tightening torque of the nuts max. 0.6 Nm. Required tool: screwdriver, spanner with width across flats 8.

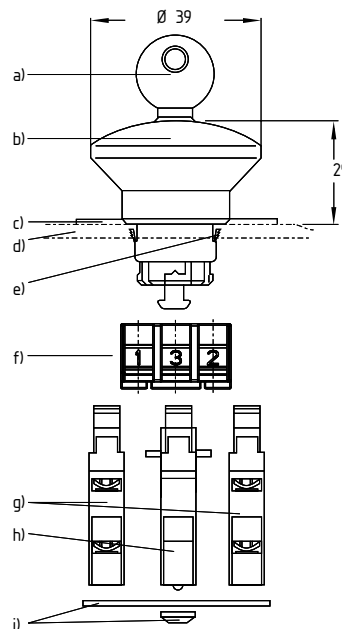
EFR without earth connection



- a) EFR (Spring element without earth connection)
 In the EFR kit:
 b) Securing plate
 c) 2x securing ring

3.2 Dimensions

3.3 Emergency stop command device EDRRS...

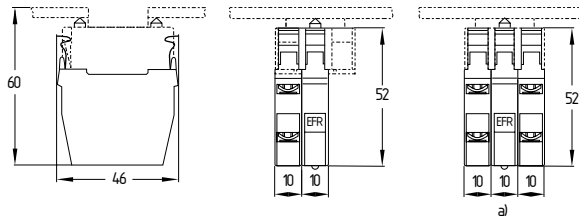


- a) Key
 b) EDRRS emergency stop actuator
 c) Emergency stop label
 d) Enclosure or mounting panel
 e) Clamping element
 f) Mounting flange ELM
 g) Contact element EF
 h) EFR.EDRRS or EFR
 i) EFR.EDRRS or EFR kit



Contact elements of the EF contact system must be fitted in the second locking position and must, therefore, lie flush on the mounting flange after fitting.

3.4 Contact element EF...
in fitted condition



a) Maximum number of contacts (2 contact elements, max. 4 contacts)

4. Electrical connection

4.1 Important notes



The electrical connection may only be carried out by authorised personnel in a de-energised condition. At least one contact with positive break must be integrated in the safety circuit.

Please observe the fault protection (protection in case of indirect contact).

If the EFR.EDRRS with earth connection is used, the earth connection must be tested prior to start-up.

If EDRRS... is used with EFR, the electrical connection in the PELV (extra-low voltage) must be executed in accordance with EN 60204-1.



If the EDRRS... is used with EFR.EDRRS, the earth loop must be provided with a 6.3 mm flat plug-in connector and plugged into the earth connection.

After wiring, the contact elements must be cleaned (i.e. remove excess cables etc.).

The fixing screws of the contact element must be tightened with 0.8 Nm tightening torque.

4.2 Contact variants

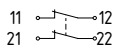
The following contact variants can be combined together:

Screw or plug-in terminals:

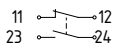
- 1 × EF303 (1 NC/1 NO) + 1 × EF220 (2 NC) or
- 2 × EF303 (1 NC/1 NO each contact element) or
- 2 × EF220 /2 NC each contact element)

EFK cage clamp: contact data upon request

EF 220.1



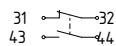
EF 303.1



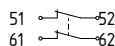
EF 220.2



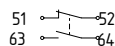
EF 303.2



EF 220.3



EF 303.3

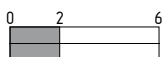


4.3 Switch travel

EF 220.1

EF 220.2

EF 220.3



EF 303.1

EF 303.2

EF 303.3



5. Set-up and maintenance

5.1 Functional testing

The safety function of the safety components must be tested.

The following conditions must be checked and met:

- Correct fixing of the fitted component
- Check the integrity of the cable entry and connections
- Check the emergency stop command device for damage

5.2 Maintenance

A regular visual inspection and functional test, including the following steps, is recommended:

- Check the correct fixing of the emergency stop command device and the contact element
- Remove particles of dust and soiling.
- Check cable entry and connections.

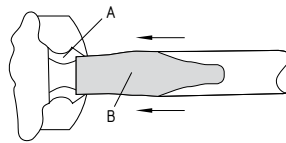
Damaged or defective components must be replaced.

6. Disassembly and disposal

6.1 Disassembly

The safety switchgear must be disassembled in a de-energised condition only.

- Disassembly of the EF... contact element(s).
- Actuate/snap in EDR emergency stop actuator and turn.
- Spread the spring (A) between the EDRR actuator plunger and the EFR spring element by means of a screwdriver (B) or similar (refer to drawing). The actuator jumps back into basic position.
- Snap off the EFR spring element, disassembly the actuating head if necessary.



6.2 Disposal

The safety switchgear must be disposed of in an appropriate manner in accordance with the national prescriptions and legislations.

7. EU Declaration of conformity

EU Declaration of conformity



Original
K.A. Schmersal GmbH & Co. KG
Möddinghofe 30
42279 Wuppertal
Germany
Internet: www.schmersal.com

We hereby certify that the hereafter described components both in their basic design and construction conform to the applicable European Directives.

Name of the component: EDRRS

Type: See ordering code

Description of the component: Emergency stop pushbutton with release by key

Relevant Directives: Machinery Directive 2006/42/EG
RoHS-Directive 2011/65/EU

Applied standards: DIN EN 60947-5-1:2010,
DIN EN 60947-5-5:2015,
DIN EN ISO 13850:2016

Person authorised for the compilation of the technical documentation: Oliver Wacker
Möddinghofe 30
42279 Wuppertal

Place and date of issue: Wuppertal, January 2, 2017

Authorised signature
Philip Schmersal
Managing Director

EDRRS40-B-EN



The currently valid declaration of conformity can be downloaded from the internet at www.schmersal.net.



K. A. Schmersal GmbH & Co. KG
Möddinghofe 30, D - 42279 Wuppertal
Postfach 24 02 63, D - 42232 Wuppertal

Phone: +49 - (0)2 02 - 64 74 - 0
Telefax: +49 - (0)2 02 - 64 74 - 1 00
E-Mail: info@schmersal.com
Internet: <http://www.schmersal.com>