

General Purpose Type 1 Enclosures

Application -

Designed to house electrical controls, instruments and components in areas that do not require oil, water and dust tight protection. For installation information, consult our Installation Manual at www.saginawcontrol.com.

Construction -

- 0.048", 0.060" & 0.075" carbon steel depending on its size.
- Spot weld construction.
- Standoffs provided for mounting optional sub-panels.
- Butt hinge.
- Doors open 180 degrees.
- Black quarter turn latches.
- Latches are opened or closed with a screwdriver.
- Ground stud on door.
- Mounting holes in back of enclosure.
- Sub-panel mounting hardware included.

Options -

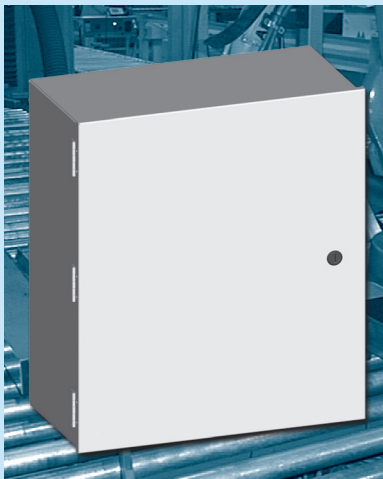
- Tamper-resistant inserts available.
- Optional mounting straps available

Finish -

ANSI-61 gray powder coated inside and out. Optional panels are powder coated white.

IS8 - Industry Standards -

NEMA Type 1
UL Listed Type 1
CSA Type 1
IEC 60529 IP30



GENERAL PURPOSE TYPE 1 ENCLOSURES

| ENCLOSURE PRODUCT CODE N1 | | | | | | SUB-PANEL (N1) | | | |
|---------------------------|------------|-----------|-----------|-------------------|------------|----------------|------------------|-----------------|------------|
| Catalog No. | Height (A) | Width (B) | Depth (C) | Industry Standard | List Price | Catalog No. | Panel Height (D) | Panel Width (E) | List Price |
| SCE-6N604LP | 6.00 | 6.00 | 4.00 | IS8 | 30.27 | SCE-6N6MP | 4.00 | 4.00 | 2.82 |
| SCE-8N604LP | 8.00 | 6.00 | 4.00 | IS8 | 33.04 | SCE-8N6MP | 6.00 | 4.00 | 3.26 |
| SCE-8N804LP | 8.00 | 8.00 | 4.00 | IS8 | 36.68 | SCE-8N8MP | 6.00 | 6.00 | 3.82 |
| SCE-8N806LP | 8.00 | 8.00 | 6.00 | IS8 | 41.28 | SCE-8N8MP | 6.00 | 6.00 | 3.82 |
| SCE-10N804LP | 10.00 | 8.00 | 4.00 | IS8 | 40.29 | SCE-10N8MP | 8.00 | 6.00 | 4.46 |
| SCE-10N806LP | 10.00 | 8.00 | 6.00 | IS8 | 45.52 | SCE-10N8MP | 8.00 | 6.00 | 4.46 |
| SCE-10N1004LP | 10.00 | 10.00 | 4.00 | IS8 | 40.92 | SCE-10N10MP | 8.00 | 8.00 | 5.27 |
| SCE-10N1006LP | 10.00 | 10.00 | 6.00 | IS8 | 50.23 | SCE-10N10MP | 8.00 | 8.00 | 5.27 |
| SCE-12N1004LP | 12.00 | 10.00 | 4.00 | IS8 | 48.44 | SCE-12N10MP | 10.00 | 8.00 | 6.03 |
| SCE-12N1006LP | 12.00 | 10.00 | 6.00 | IS8 | 54.80 | SCE-12N10MP | 10.00 | 8.00 | 6.03 |
| SCE-12N1204LP | 12.00 | 12.00 | 4.00 | IS8 | 53.05 | SCE-12N12MP | 10.00 | 10.00 | 7.10 |
| SCE-12N1206LP | 12.00 | 12.00 | 6.00 | IS8 | 60.13 | SCE-12N12MP | 10.00 | 10.00 | 7.10 |
| SCE-12N1208LP | 12.00 | 12.00 | 8.00 | IS8 | 67.14 | SCE-12N12MP | 10.00 | 10.00 | 7.10 |
| SCE-14N1204LP | 14.00 | 12.00 | 4.00 | IS8 | 57.79 | SCE-14N12MP | 12.00 | 10.00 | 7.92 |
| SCE-14N1206LP | 14.00 | 12.00 | 6.00 | IS8 | 65.46 | SCE-14N12MP | 12.00 | 10.00 | 7.92 |
| SCE-14N1208LP | 14.00 | 12.00 | 8.00 | IS8 | 73.08 | SCE-14N12MP | 12.00 | 10.00 | 7.92 |
| SCE-16N1206LP | 16.00 | 12.00 | 6.00 | IS8 | 98.04 | SCE-16N12MP | 14.00 | 10.00 | 11.58 |
| SCE-16N1208LP | 16.00 | 12.00 | 8.00 | IS8 | 106.84 | SCE-16N12MP | 14.00 | 10.00 | 11.58 |
| SCE-16N1606LP | 16.00 | 16.00 | 6.00 | IS8 | 109.57 | SCE-16N16MP | 14.00 | 14.00 | 19.21 |
| SCE-16N1608LP | 16.00 | 16.00 | 8.00 | IS8 | 119.19 | SCE-16N16MP | 14.00 | 14.00 | 19.21 |
| SCE-16N2006LP | 16.00 | 20.00 | 6.00 | IS8 | 121.09 | SCE-20N16MP | 18.00 | 14.00 | 21.62 |
| SCE-20N1606LP | 20.00 | 16.00 | 6.00 | IS8 | 121.09 | SCE-20N16MP | 18.00 | 14.00 | 21.62 |
| SCE-20N1608LP | 20.00 | 16.00 | 8.00 | IS8 | 132.41 | SCE-20N16MP | 18.00 | 14.00 | 21.62 |
| SCE-20N2006LP | 20.00 | 20.00 | 6.00 | IS8 | 132.99 | SCE-20N20MP | 18.00 | 18.00 | 27.84 |
| SCE-20N2008LP | 20.00 | 20.00 | 8.00 | IS8 | 145.52 | SCE-20N20MP | 18.00 | 18.00 | 27.84 |
| SCE-20N2010LP | 20.00 | 20.00 | 10.00 | IS8 | 158.06 | SCE-20N20MP | 18.00 | 18.00 | 27.84 |
| SCE-24N1606LP | 24.00 | 16.00 | 6.00 | IS8 | 131.91 | SCE-24N16MP | 22.00 | 14.00 | 22.89 |
| SCE-24N2006LP | 24.00 | 20.00 | 6.00 | IS8 | 147.17 | SCE-24N20MP | 22.00 | 18.00 | 31.67 |
| SCE-24N2008LP | 24.00 | 20.00 | 8.00 | IS8 | 161.03 | SCE-24N20MP | 22.00 | 18.00 | 31.67 |
| SCE-24N2010LP | 24.00 | 20.00 | 10.00 | IS8 | 174.83 | SCE-24N20MP | 22.00 | 18.00 | 31.67 |
| SCE-24N2406LP | 24.00 | 24.00 | 6.00 | IS8 | 149.12 | SCE-24N24MP | 22.00 | 22.00 | 36.97 |
| SCE-24N2408LP | 24.00 | 24.00 | 8.00 | IS8 | 164.32 | SCE-24N24MP | 22.00 | 22.00 | 36.97 |
| SCE-24N2412LP | 24.00 | 24.00 | 12.00 | IS8 | 194.33 | SCE-24N24MP | 22.00 | 22.00 | 36.97 |
| SCE-30N2406LP | 30.00 | 24.00 | 6.00 | IS8 | 165.84 | SCE-30N24MP | 28.00 | 22.00 | 43.99 |
| SCE-30N2408LP | 30.00 | 24.00 | 8.00 | IS8 | 184.23 | SCE-30N24MP | 28.00 | 22.00 | 43.99 |
| SCE-30N2412LP | 30.00 | 24.00 | 12.00 | IS8 | 216.79 | SCE-30N24MP | 28.00 | 22.00 | 43.99 |
| SCE-30N3008LP | 30.00 | 30.00 | 8.00 | IS8 | 207.99 | SCE-30N30MP | 28.00 | 28.00 | 58.07 |
| SCE-36N2406LP | 36.00 | 24.00 | 6.00 | IS8 | 192.87 | SCE-36N24MP | 34.00 | 22.00 | 52.80 |
| SCE-36N2408LP | 36.00 | 24.00 | 8.00 | IS8 | 211.73 | SCE-36N24MP | 34.00 | 22.00 | 52.80 |
| SCE-36N2412LP | 36.00 | 24.00 | 12.00 | IS8 | 245.16 | SCE-36N24MP | 34.00 | 22.00 | 52.80 |
| SCE-36N3006LP | 36.00 | 30.00 | 6.00 | IS8 | 211.16 | SCE-36N30MP | 34.00 | 28.00 | 70.39 |
| SCE-36N3008LP | 36.00 | 30.00 | 8.00 | IS8 | 231.98 | SCE-36N30MP | 34.00 | 28.00 | 70.39 |
| SCE-36N3012LP | 36.00 | 30.00 | 12.00 | IS8 | 273.50 | SCE-36N30MP | 34.00 | 28.00 | 70.39 |

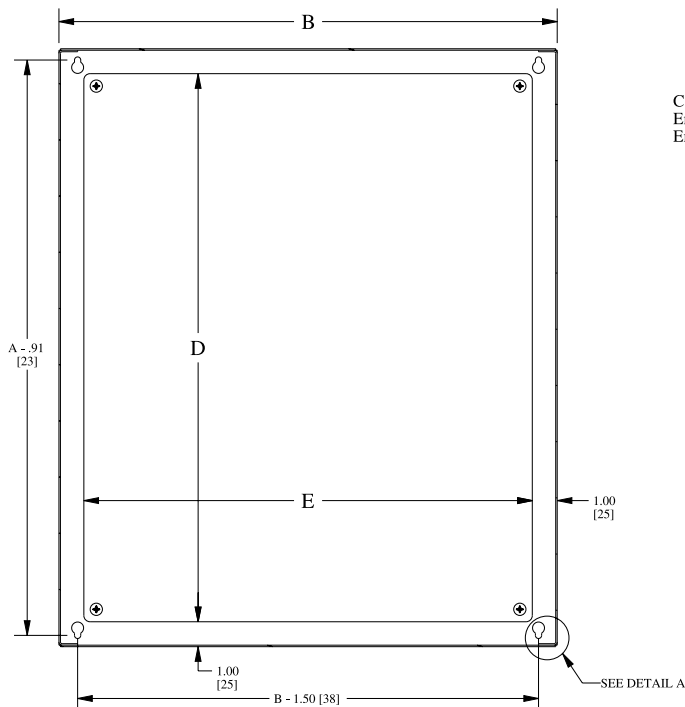
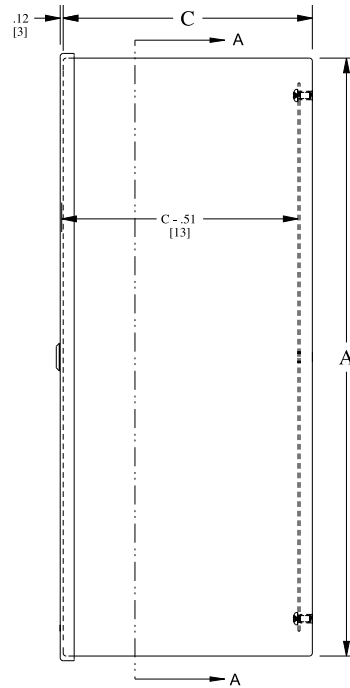
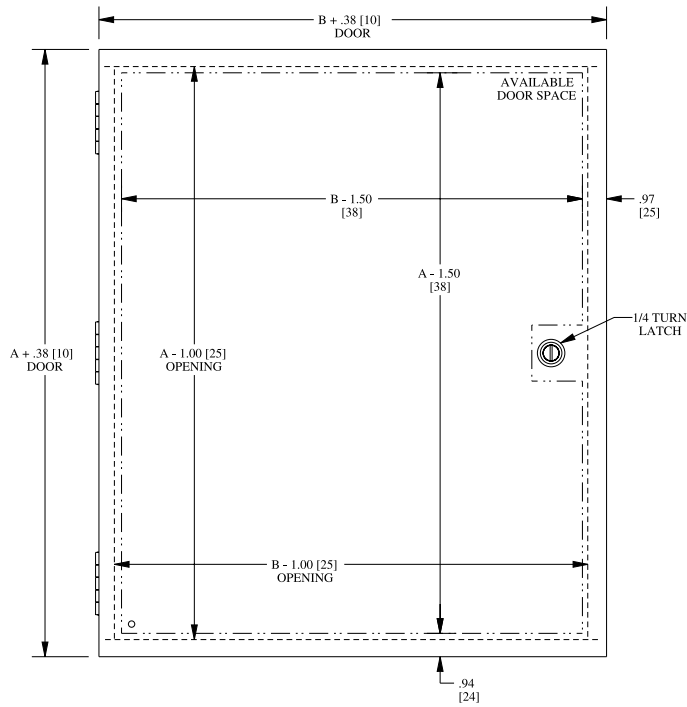
**Perforated sub-panels available in the accessory section.*

Phone (989) 799-6871
Fax (989) 799-4524

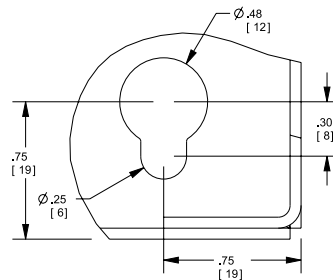
SCE SAGINAW
CONTROL &
ENGINEERING
Your Enclosure Source™

GENERAL PURPOSE TYPE 1 ENCLOSURES

TECHNICAL DATA



CONSTRUCTION NOTES:
 Enclosures < 24.00" [610] wide are made of 0.060" [2] material.
 Enclosures => 24.00" [610] wide are made of 0.075" [2] material.



DETAIL A

SECTION A-A



Phone (989) 799-6871
 Fax (989) 799-4524