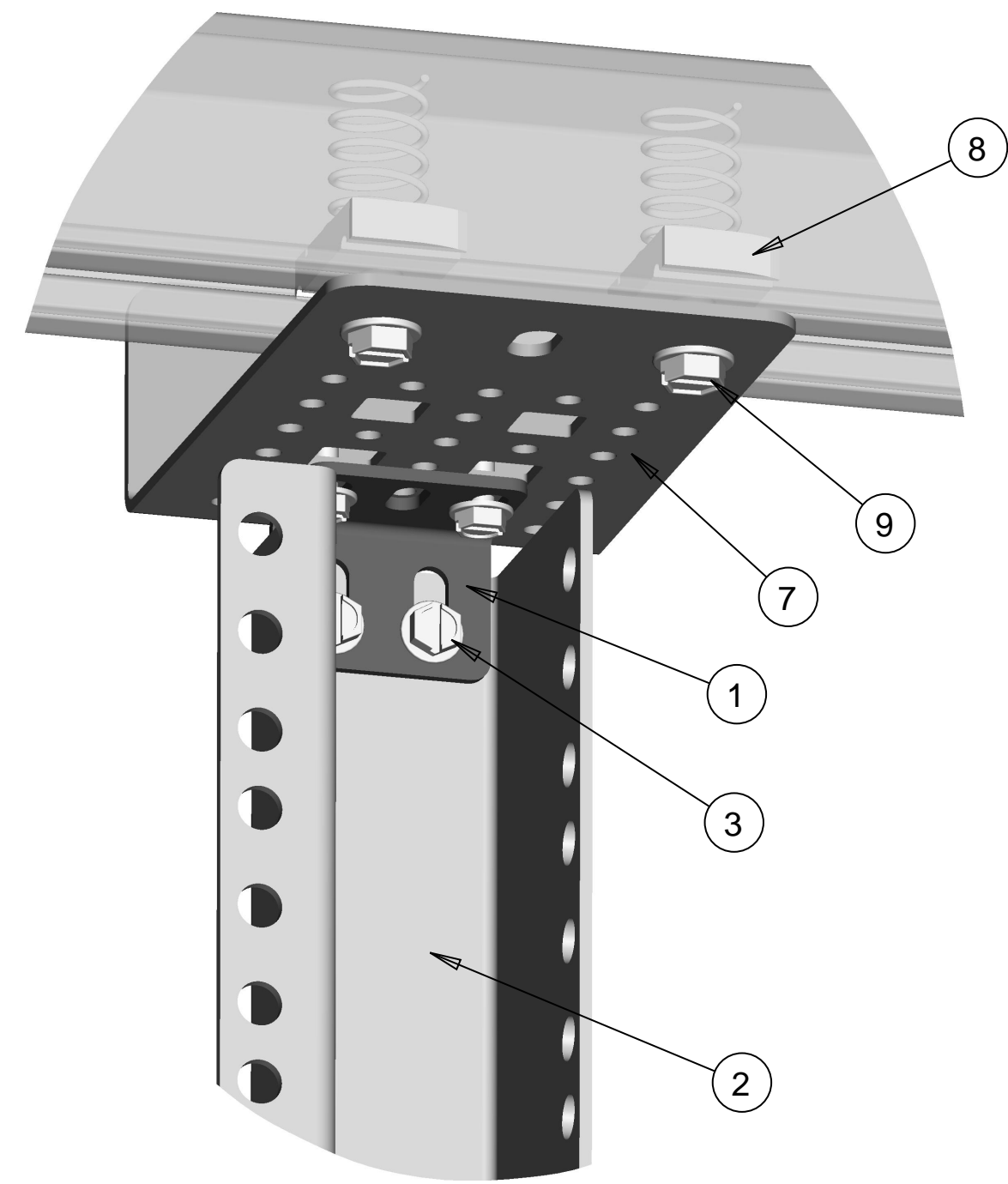
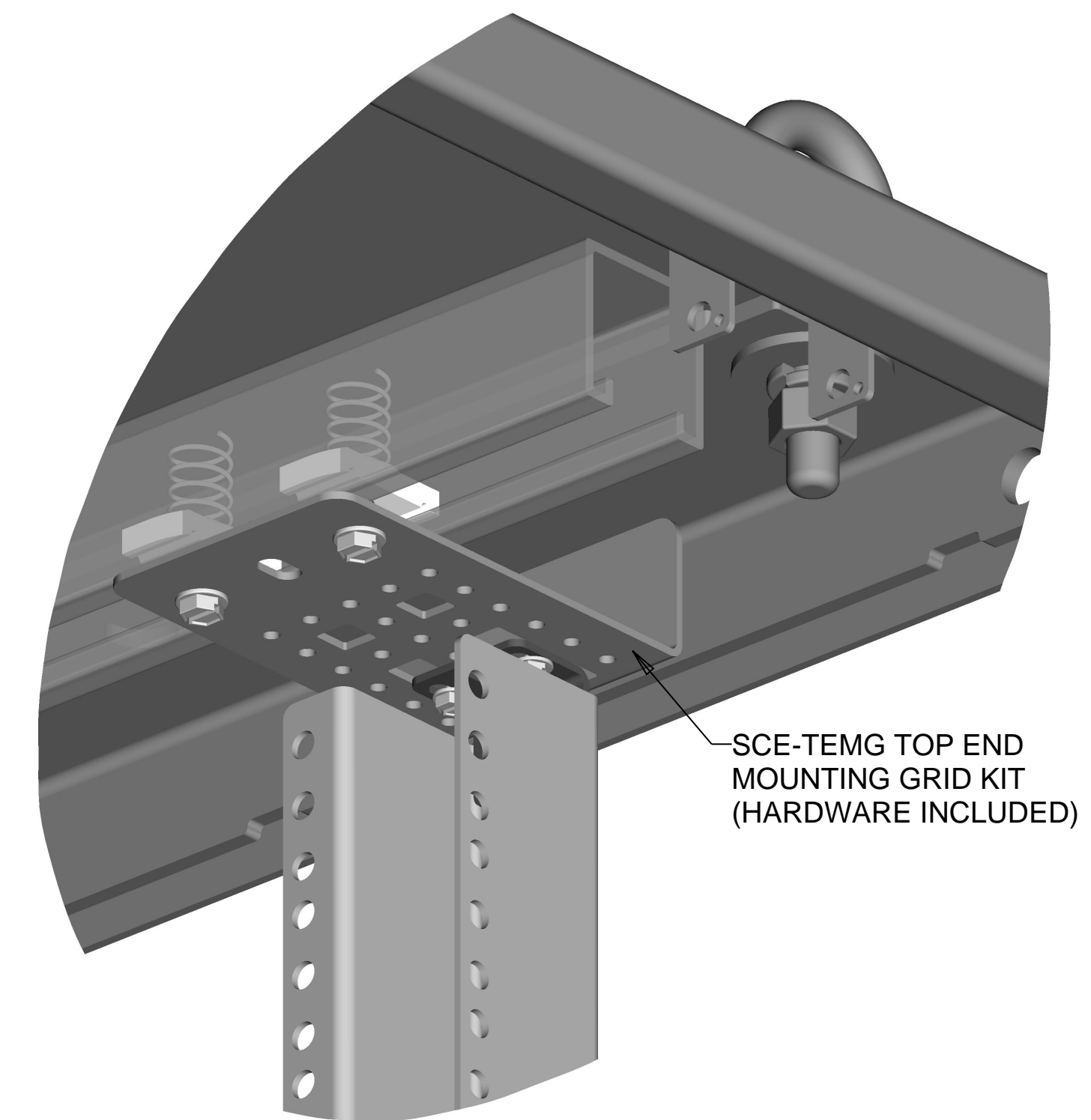


SCE-S180606 FRONT ISOMETRIC VIEW SHOWN WITH THE DOOR REMOVED FOR CLARITY WITH SCE-URA18, SCE-EMG & SCE-TEMG INSTALLED

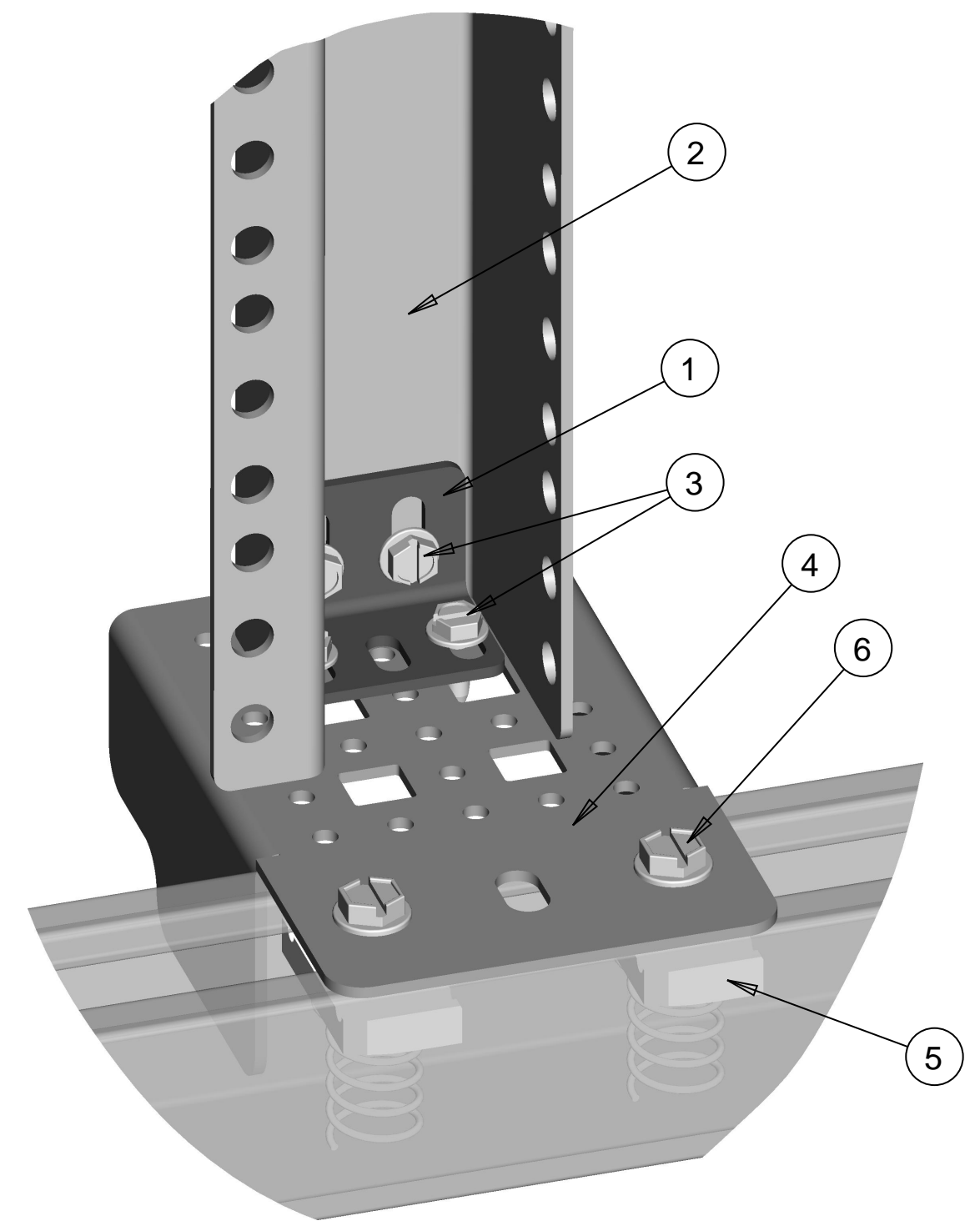
THE MOUNTING CHANNELS ARE SHOWN TRANSPARENT FOR CLARITY



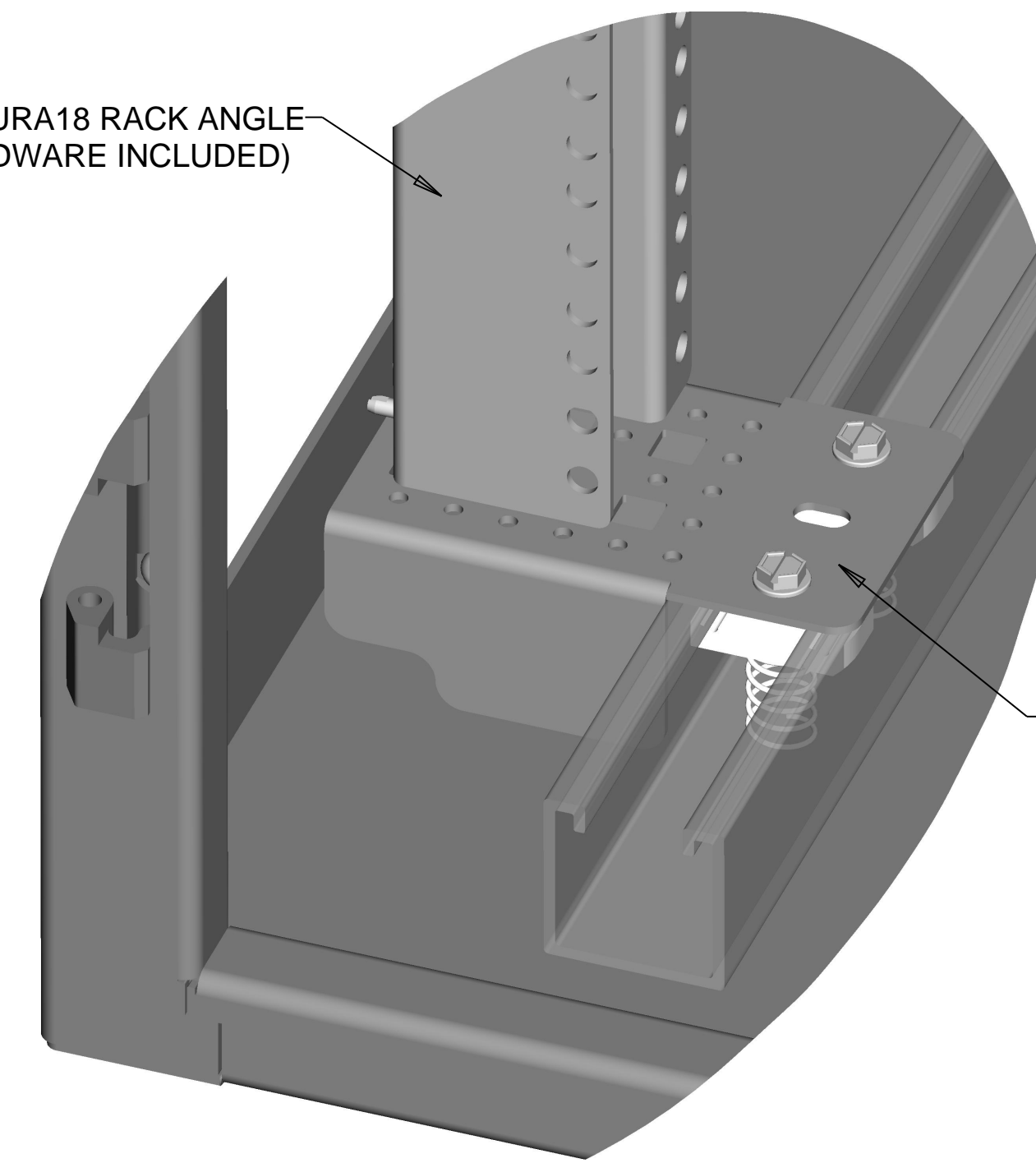
ISOMETRIC PARTIAL VIEW UPPER LEFTHAND CORNER



ISOMETRIC PARTIAL VIEW UPPER RIGHTHAND CORNER



ISOMETRIC PARTIAL VIEW LOWER LEFTHAND CORNER



ISOMETRIC PARTIAL VIEW LOWER RIGHTHAND CORNER

SCE-URA18 RACK ANGLE BILL OF MATERIALS		
INDEX	QTY	DESCRIPTION
1	4	URA_RACK_ANGLE_MTG_BRKT
2	2	SCE-URA18_RACK_ANGLE
3	16	10-32_1-2_FLANGED_SCREW_108614

SCE-EMG END MOUNTING GRID BILL OF MATERIALS		
INDEX	QTY	DESCRIPTION
4	2	SCE-EMG_END_MOUNTING_GRID
5	4	1-4_20_CHANNEL_NUT_STEEL_108363
6	4	1-4_20_3-4_FLANGED_SCREW_102528

SCE-TEMG TOP END MOUNTING GRID BILL OF MATERIALS		
INDEX	QTY	DESCRIPTION
7	2	SCE-TEMG_TOP_END_MOUNTING_GRID
8	4	1-4_20_CHANNEL_NUT_STEEL_108363
9	4	1-4_20_3-4_FLANGED_SCREW_102528

sce-temg\_emg\_ura18\_installation.dwg



**SAGINAW CONTROL AND ENGINEERING**  
 95 Midland Road  
 Saginaw, Michigan 48638  
 Phone: (989) 799-6871  
 Fax: (989) 799-4524  
 sce@saginawcontrol.com

PART# SCE-TEMG, SCE-EMG & SCE-URA18 INSTALLATION  
 DRAWING REFERENCING A SCE-S180606 ENCLOSURE