

# ABOUT US

**Saginaw Control & Engineering** has been serving the electrical industry since 1963. We specialize in manufacturing both standard stock and custom designed enclosures as well as precision sheet metal fabrications. Our two manufacturing facilities, located in Saginaw, Michigan, use state of the art equipment technology including the latest in automated forming, fiber optic laser cutting and welding technology and seamless pour in place gasket. All products are protected with the highest quality powder finishes available in today's market.

In addition to our manufacturing facilities, SCE has distribution centers in Aurora, Ohio; Kenosha, Wisconsin; Lenoir City, Tennessee; Tulsa, Oklahoma; and Reno, Nevada conveniently located to serve enclosure customers throughout the U.S. Each warehouse has more than 200,000 square feet of product available, ready to ship in a moment's notice.

To obtain more information about SCE and our products, please visit our website at <http://www.saginawcontrol.com>. This site includes new product information, a complete list of stock part numbers, drawings of stock parts for you to download, list prices, Installation Manual and other SCE news.

SCE supplies top quality products built to accurate dimensions. From concept to completion, the SCE staff will work with you to satisfy your enclosure requirements.

Whether you require a standard stock enclosure or a custom built enclosure, SCE can be *Your Enclosure Source*<sup>®</sup>.

# OUR MISSION

## Quality Policy Statement

Saginaw Control & Engineering is committed to understanding and meeting or exceeding the quality needs and expectations of all of our customers, while striving for continual improvement at all times.

Our goal is to be the leading manufacturer of standard stock and custom designed enclosures, to provide real opportunities and solutions to each of our customers, to grow our company stronger, to deliver unparalleled quality, value, and customer service, to verify, monitor and benchmark our products and services to meet agreed requirements and continuously improve our business, products and services.

We, at Saginaw Control and Engineering, affirm this commitment, and have established a comprehensive quality assurance system, which will allow our company to meet all of the requirements of the ISO 9001:2015 quality management system standard.

Meet our new manufacturing facility, also located in Saginaw, MI that is in addition to our other manufacturing facility just down the road (Now referred to as Saginaw East). Due to an increase in our customer demands and our strive for shorter lead times, we have opened a new 144,000 sq ft manufacturing facility that is in full production and serving our customers.





**SAGINAW  
CONTROL &  
ENGINEERING**

*asure Source*®

**SCE**  
SAGINAW  
CONTROL &  
ENGINEERING  
*asure Source*®

# A Brief History of Time

**Saginaw Control and Engineering** was founded in 1963 by Harold and Jan Baldauf. Harold got out of the Navy and moved back home, working on the family farm and for a local electrical company. Harold was a self-taught electrician working for a local company that distributed electrical components as well as wiring the control panels. In the day, Saginaw had a large core of OEMs that looked for help with the panel build, so Harold began the wiring and assembly of the panels in his garage. After a short period of time, he ran out of space and moved into his mother's garage, which was larger than his. Not long after, he constructed the first building at 95 Midland Road, which was part of his father's original farm.

With Harold's tremendous vision and the delay at times getting the enclosures, he decided to invest in some used fabricating equipment and started to do the manufacturing of the enclosures along with continuing the wiring operation. Both sides of the business continued to grow as did the footprint of the manufacturing facility. Soon the day came to make the business decision to get out of the integration business and the wiring of the panels and continue to focus and grow the company with the sheet metal fabrication business and eventually enclosures being the main product.

SCE continues to invest in the latest equipment and automation technology that becomes available to remain on the cutting edge to increase capacity and continue to manufacture top quality products. Back in 1965, SCE had a promotional ad in a local high school athletic brochure that had a photo of the building along with a caption that read "**AUTOMATION IS THE FUTURE**". How true that statement was and continues to be to remain successful in the electrical enclosure world.



original building blueprint

## growth & expansion

Saginaw Control & Engineering founder, Harold Baldauf



Warehouse in Aurora, Ohio opens



1963

1992

1996

2007



First warehouse opens in Kenosha, Wisconsin



Lenoir City, Tennessee warehouse opens

AUTOMATION IS THE FUTURE



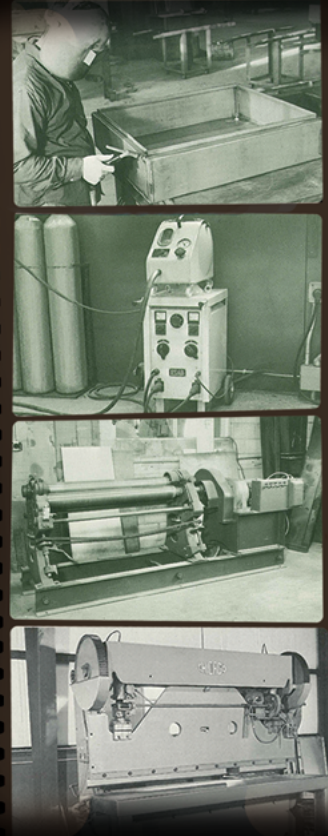
WIRING • SHEET METAL • ELECTRICAL CONTROL PANELS

# SAGINAW CONTROL AND ENGINEERING INC.

95 MIDLAND ROAD

SAGINAW, MICHIGAN 48603

ad placed in local high school brochure in 1965



original production equipment

Warehouse in Reno, Nevada opens



Second manufacturing facility in Saginaw, Michigan opens


# 2010

# 2018

# 2020

Fifth warehouse in Tulsa, Oklahoma opens doors



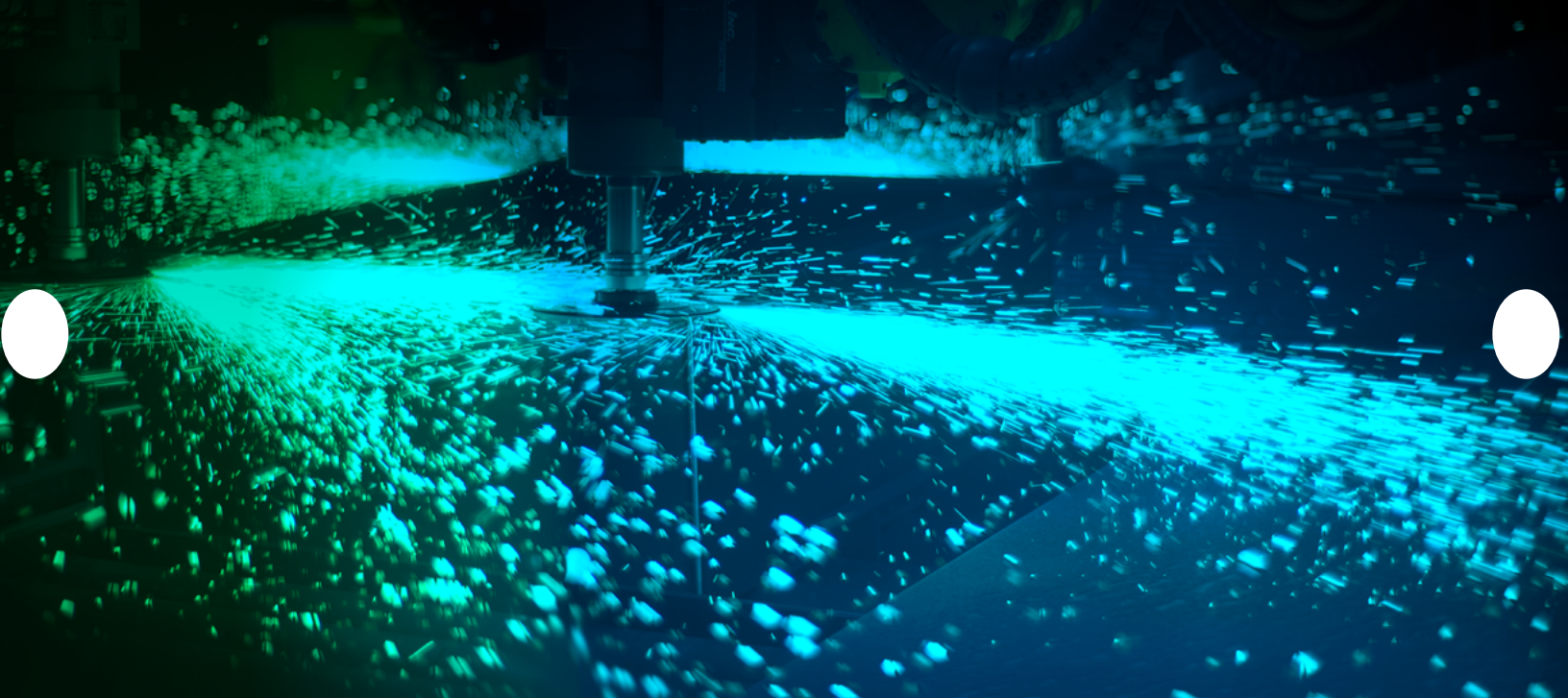


Products from Saginaw Control & Engineering are crafted with high quality materials sourced from U.S. steel and are manufactured in Saginaw, Michigan.

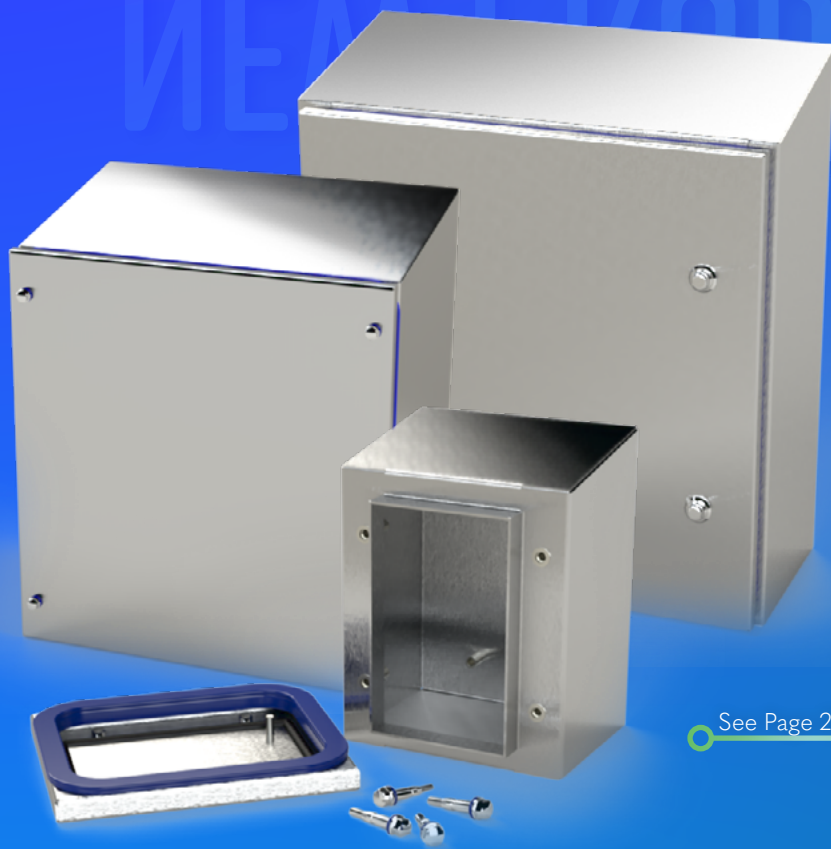
**MADE IN USA**



*Your Enclosure Source<sup>®</sup>*



# NEW PRODUCTS



Sanitary Screw Cover and Hinged Cover Enclosures

See Page 280

Pole Mount Kit

See Page 432



Drain/Breather Vent Kit

See Page 397





## Stainless Steel Enviroline® Series Junction Sloping Top Enclosures

See Page 278



## Expanded Selection of Polycarbonate & Fiberglass

See Page 330



## NextGen Air Conditioners

See Page 368



# CSE PROGRAM

## CUSTOMIZED STANDARD ENCLOSURES

### **Saginaw Control & Engineering**

can customize any standard enclosure selected from our catalog, reducing the turnaround time from design to delivery.

Select an enclosure from our catalog and download the drawing using the Product Lines section of our website (<http://www.saginawcontrol.com>).

Add the holes and cutouts necessary for your application and submit the drawing electronically as a DWG, DXF or 3D CAD file to SCE, [CSE@saginawcontrol.com](mailto:CSE@saginawcontrol.com), to do the work for you, which saves you time and money.

Unlike traditional methods of manually cutting or machining holes into a completed and finished product, Saginaw Control will build your enclosure with the holes and cutouts cut while the enclosure is still in a flat sheet, providing the most precise cutting of holes and cutouts.

Finish is applied only after all of the fabrication and welding is complete. Therefore, there is no concern with damage to the enclosure's finish, and all the cut edges are coated when the final finish is applied, thus enhancing the long term quality and performance of the finish.

Select the correct materials required for the environment or specification: carbon steel, 304 or 316 stainless steel, or carbon steel with special color powder coat finish.



# COLOR CHART

Colors are close representations with standard monitor settings and are not intended for match. Color charts may also vary by manufacturer.

<b>Medical White</b> White/Full Gloss 125827	<b>GMW05</b> White/Low Gloss 125224	<b>GMW06</b> White/Full Gloss 114407	<b>PCT89104</b> White/Sand Texture 120396	<b>P009-WH14</b> White/Full Gloss 125303	<b>SCE-05</b> White/Full Gloss 101045	<b>RAL 9001</b> White/Full Gloss 102961	<b>RAL 9003</b> White/Full Gloss 125827	<b>RAL 9010</b> White/Full Gloss 102959
<b>AS4 115561</b> Gray/Low Gloss 115561	<b>Steel It</b> Gray/Low Gloss 103094	<b>Light Platinum</b> Gray/Sand Texture 125215	<b>Platinum Smooth</b> Gray/Low Gloss 127271	<b>Zinc Rich Primer</b> Gray/Low Gloss 115250	<b>SW 2115</b> Gray/Low Gloss 115816	<b>SCE-09</b> Gray/Low Gloss 101039	<b>Stardust</b> Silver/Low Gloss 103408	<b>RAL 9011</b> Black/Sand Texture 101065
<b>ANSI 70</b> Gray/Full Gloss 112497	<b>RAL 7000</b> Gray/Full Gloss 115783	<b>RAL 7030</b> Gray/Full Gloss 114234	<b>RAL 7032</b> Gray/Full Gloss 102394	<b>RAL 7032</b> Gray/River Texture 102969	<b>RAL 7035</b> Gray/Full Gloss 102962	<b>RAL 7035</b> Gray/River Full Gloss - 121664	<b>RAL 7035</b> Gray/River Low Gloss - 102967	
<b>RAL 7036</b> Gray/Full Gloss 102946	<b>RAL 7044</b> Gray/Full Gloss 102937	<b>RAL 7045</b> Gray/Full Gloss 108106	<b>RAL 9002</b> Gray/Full Gloss 102958	<b>Sand Dollar</b> Beige/Cream - River Texture - 128366	<b>Taupe</b> Beige/Cream - Sand Texture - 101048	<b>SMS</b> Beige/Cream - Low Gloss - 103397	<b>Pantone 4535C</b> Beige/Cream - Low Gloss - 114280	
<b>BFS</b> Beige/Cream - Full Gloss - 116201	<b>Munsell 10Y9/1</b> Beige/Cream - Full Gloss - 107622	<b>Munsell 5Y8.25/1.5</b> Beige/Cream - Full Gloss 114083	<b>RAL 1001</b> Beige/Cream - Full Gloss - 102973	<b>RAL 1013</b> Beige/Cream - Full Gloss - 101047	<b>RAL 1015</b> Beige/Cream - Full Gloss - 102920	<b>Pantone 288C</b> Blue/Sand Texture 103329	<b>Zircon</b> Blue/Sand Texture 125827	
<b>NB</b> Blue/Low Gloss 103034	<b>FED STD 15180</b> Blue/Full Gloss 114986	<b>FED STD 25230</b> Blue/Full Gloss 103404	<b>RAL 5000</b> Blue/Full Gloss 115938	<b>RAL 5002</b> Blue/Full Gloss 116053	<b>RAL 5005</b> Blue/Full Gloss 115397	<b>RAL 5007</b> Blue/Full Gloss 118026	<b>RAL 5009</b> Blue/Full Gloss 102939	
<b>RAL 5010</b> Blue/Full Gloss 102943	<b>RAL 5012</b> Blue/Full Gloss 114978	<b>RAL 5014</b> Blue/Full Gloss 102940	<b>RAL 5015</b> Blue/River Texture 102945	<b>RAL 5015</b> Blue/Full Gloss 105271	<b>RAL 5017</b> Blue/Full Gloss 112112	<b>RAL 5019</b> Blue/Full Gloss 106630	<b>RAL 5024</b> Blue/Full Gloss 102941	
<b>Vista Green</b> Green/Full Gloss 125827	<b>Palettek</b> Green Hybrid - Low Gloss - 103393	<b>Munsell 10GY9/1</b> Green/Low Gloss 107583	<b>RAL 6001</b> Green/Full Gloss 118406	<b>RAL 6005</b> Green/Full Gloss 115919	<b>RAL 6021</b> Green/Full Gloss 116185	<b>RAL 6027</b> Green/Full Gloss 117244	<b>NPVP 3.75YR6/14</b> Orange/Full Gloss 127701	
<b>RAL 2004</b> Orange/Full Gloss 115609	<b>RAL 8023</b> Orange/Full Gloss 103045	<b>RAL 1018</b> Yellow/Full Gloss 102923	<b>BN040</b> Brown/Low Gloss 103413	<b>SW2076</b> Brown/Low Gloss 113829	<b>Desert Tan Flat</b> Tan/Low Gloss 127027	<b>RAL 3000</b> Red/Full Gloss 115875	<b>RAL 3003</b> Red/Full Gloss 118450	



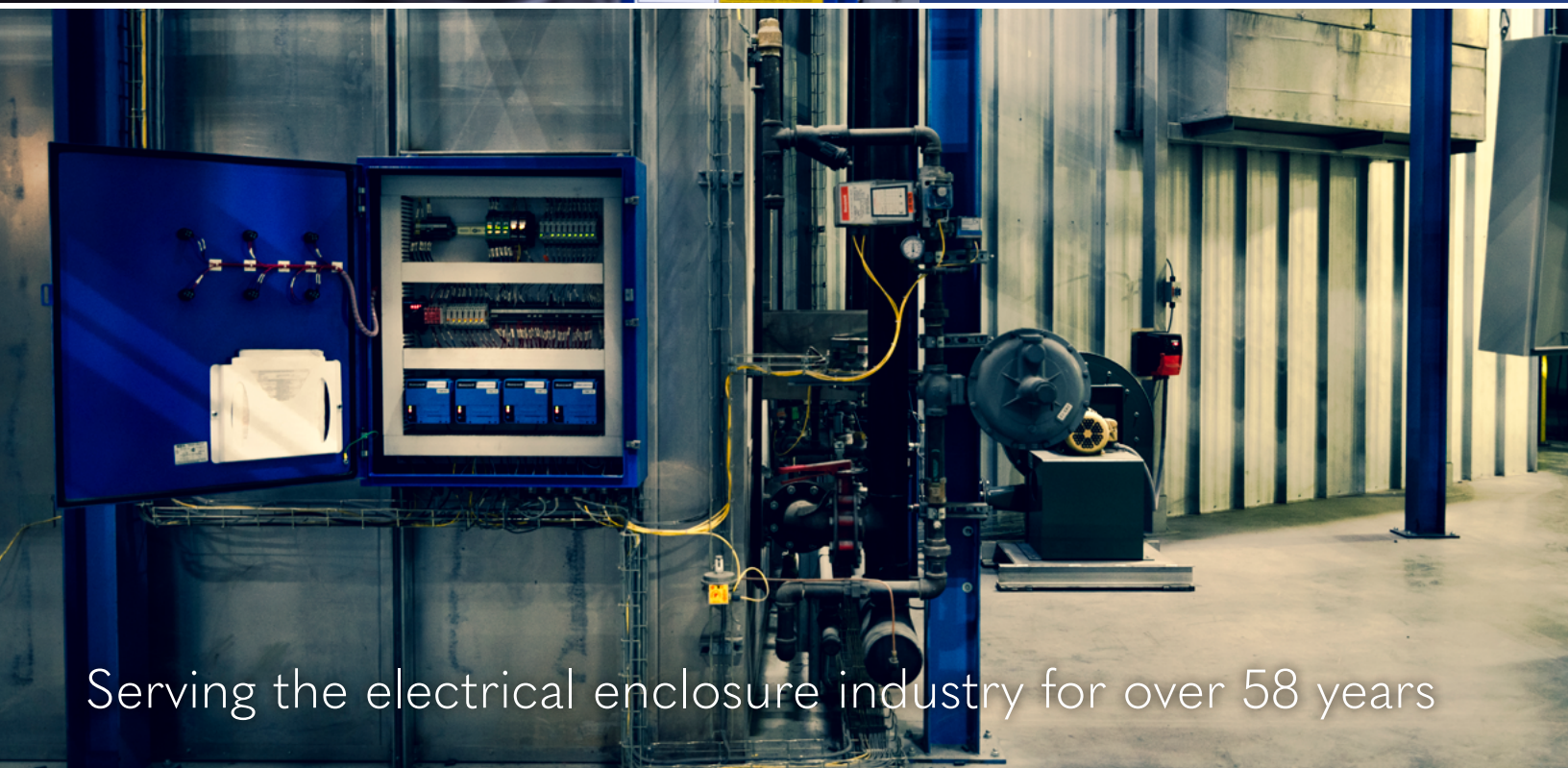
# Industries Served

- technology
- automation
- packaging
- food & beverage
- municipality
- waste water
- energy
- material handling
- industrial coating





supplying top quality enclosures to many industries



Serving the electrical enclosure industry for over 58 years



Quality is our top priority.



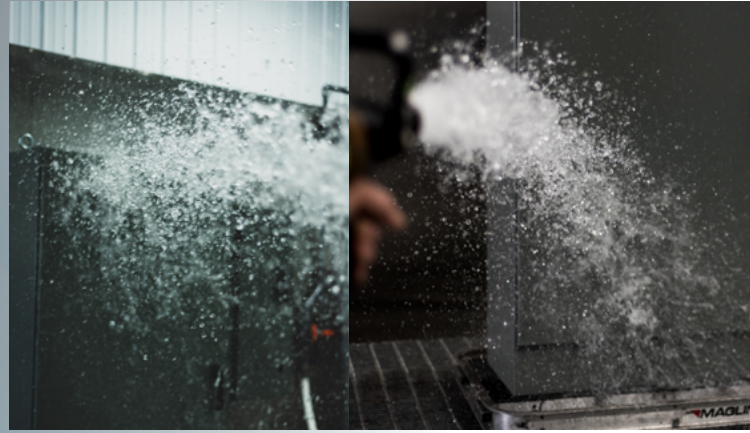
**At Saginaw Control & Engineering**, we use state of the art technology and automation to ensure that our products are of the highest quality and precision.

# Quality Control

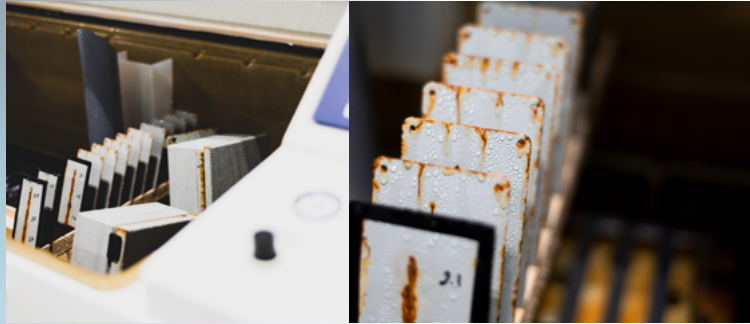
at Saginaw Control & Engineering

SCE's in-house performance testing lab allows us to constantly evaluate and improve our products to ensure they continue to meet changing customer needs.

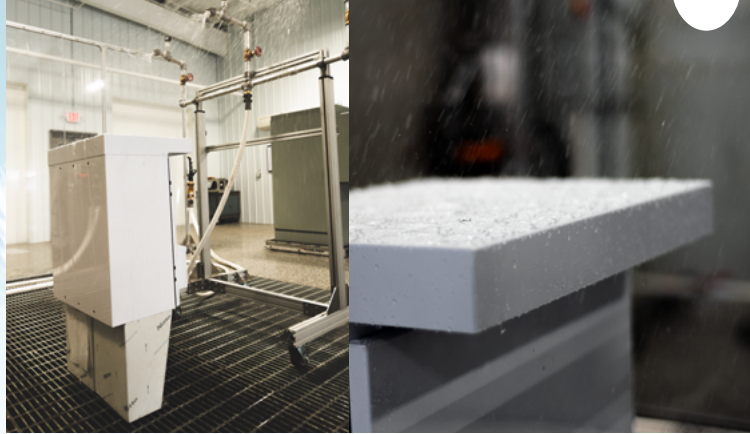
### Hose Test



### Salt Fog Test



### Rain Test



### UV Weathering Test



# TERMS AND CONDITIONS OF SALE

The Terms and Conditions stated below shall supersede any which may appear on the purchase order which are not specifically agreed to in writing by an officer of this corporation. Refer to [www.saginawcontrol.com](http://www.saginawcontrol.com) for most up-to-date Terms and Conditions.

## Payment Terms

Customers with satisfactory credit may purchase product on open account. We also accept American Express, Master Card, and Visa. Payment Net 30 from date of invoice. Payment accepted in US dollars only. Any account balance not paid within 30 days of the invoice date would be considered in default. In the event of default, applicant agrees to pay a 0.75% per month service charge along with all costs of collection, including reasonable attorney's fees.

## Published Price Lists

SCE reserves the right to cancel or adjust prices at any time. For current pricing please contact your local distribution center for a quote.

## Delivery

Shipping dates are based on our best estimate of the factory conditions at the time the order is accepted.

## Cancellation

Orders of standard catalog items that are cancelled by written notice and confirmed before the product ships, will be charged with a 10% cancellation charge (with the minimum cancellation charge of \$30.00). If the order has been shipped and is refused by the customer, there will be a 20% restocking charge (with the minimum cancellation charge of \$30.00) plus freight charges. Orders of large quantities of standard product and custom orders will be charged the cost incurred up to the point of cancellation.

## Warranty / Limits of Liability

All goods manufactured by SCE shall be warranted to be free of defects in material or workmanship for a period of two years from the date of shipment. Should the product be proven to SCE to be defective, we shall option to repair or replace the product. At no time will SCE reimburse purchaser for unauthorized rework on any product. Air Conditioners & Heat Exchangers are warranted on parts and service for a period of two years from the date of shipment by Saginaw Control and subject to the following conditions and exclusions:

All Goods must be installed and operated according to the following specifications: Maximum voltage variation no greater than plus or minus 10% of nominal rating; Maximum frequency variation no greater than plus or minus 3 Hz. from nominal rating; Must not exceed minimum and maximum rated temperatures; Must not exceed (BTU/Hr) rating; Filters must be cleaned regularly; Must be installed and grounded in accordance with all relevant electrical and safety codes, as well as the National Electric Code and OSHA rules and regulations; Must be installed in a stationery application, free of vibration.

Our warranty does not cover product that has been modified, subjected to abuse, negligence in operation or maintenance, or if product is used in a manner that exceeds its designed capabilities and rating. Our warranty does not cover equipment manufactured by others and resold by SCE, or incorporated in our equipment. Products sold with such warranties may be extended by the manufacturer of the product. Under no circumstances is SCE liable for any consequential damages, liquidated damages, freight related issues or damage, loss in profits or revenues, cost of capital, downtime costs or damages related to our product performance.

Warranty related claims will be returned to the factory for evaluation and final disposition of the claim, any replacement parts will be invoiced at standard pricing and credit issued for the returned product. If the product has been found to be modified, subjected to abuse, negligence in operation or maintenance, or if product is used in a manner that exceeds its designed capabilities and rating, credit may be reduced, denied or additional cost may be assessed and passed on to the purchaser, such as return freight.

## Returned Goods

SCE must receive written request for any product to be returned. Standard product in resalable condition will be assessed a 20% restocking charge. Return freight to be paid by purchaser. Upon receipt of product, SCE will inspect and determine salability. Any cost above the restocking charge required to make product salable shall be deducted from the credit.

\*No returns will be accepted of product that is requested to be returned after 6 months of its initial ship date.

## Freight Terms

All Freight and payment terms are indicated on all quotes – Freight Prepaid and Add (Saginaw Control will initially pay the freight charges and add to the invoice).

Freight Collect (Freight carrier will invoice directly to the consignee).

Third Party (Freight carrier will invoice directly to a third party address or account number).

\*By specific agreement, certain shipments may be Freight Allowed (Saginaw Control will pay the freight charges).

All Freight will be shipped on carriers chosen and approved by SCE to transport the shipment, no outside carriers will be allowed.

Freight will be FOB Destination – Saginaw Control owns the goods while they are in transit. Signature on the Delivery Receipt takes over all further responsibility and ownership of the product.

Accessorial Charges, such as lift gate, residential delivery, limited access delivery, A.M. delivery, and inside delivery (Charges may be billed directly to customer by carrier or Saginaw Control will initially pay the charges and add to the invoice).

## Damaged Material

All products are inspected before shipping, ensuring the quality and adequacy of the packaging prior to being loaded. The consignee will be responsible for the freight en route and file any claims if necessary.

\* Saginaw Control will not be responsible for any physical damage to the shipment if it is not inspected at the time of delivery and damages or suspected damages are not clearly noted on the freight carrier's paperwork at the time of delivery, and reported immediately to Saginaw Control & Engineering.

\* These instructions are clearly marked on every package sent.

## Changes and Revisions

The right is reserved to make changes in dimensions, material and specifications without notice. We recommend that you consult Saginaw Control & Engineering for current technical data or for any questions. Catalog dimensions are close estimates. However, manufacturing processes may necessitate slight deviations.

## Penalty Clause

No penalty clause shall be in effect unless written approval is obtained from an officer of Saginaw Control and Engineering.

## Custom Orders

Please contact an inside sales agent or call your local sales representative for terms governing custom orders.

## Government Regulations and Taxes

Any regulation, restriction or tax imposed on goods furnished by SCE are the responsibility of the purchaser. Any testing or disposal of material shall be your responsibility.



# TABLE OF CONTENTS

1  
2  
3  
4  
5  
6  
7  
8  
9  
10  
11

# OPERATOR SYSTEM ENCLOSURES



20-21



22-23



24-27



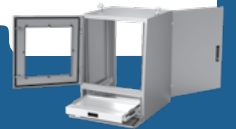
28-31



32-33



34-35



36-37



38-44



46-47



48-49



50-53



# ELJ CONSOLES & ACCESSORIES

## Application

Designed to house electrical and electronic controls, instruments, and components. Provides protection from dust, dirt, oil and water. Consoles can be mounted on either of two sides to give a control surface inclined at 30° or 60°. Can be mounted on desks, machines, or pedestals.

## Construction

- 0.063" carbon steel.
- Seams continuously welded and ground smooth.
- Flange trough collar around all sides of door opening.
- Removable hinges.
- Pour in place oil and water resistant gasket.
- Standoffs provided for mounting optional sub-panels.
- Cable door stops included on SCE-12C\*\*, SCE-16C\*\* & SCE-20C\*\*.
- Black mini quarter turn latches as required.
- Latches are opened or closed with a screwdriver.
- Ground studs on door and body.
- Mounting holes in back.

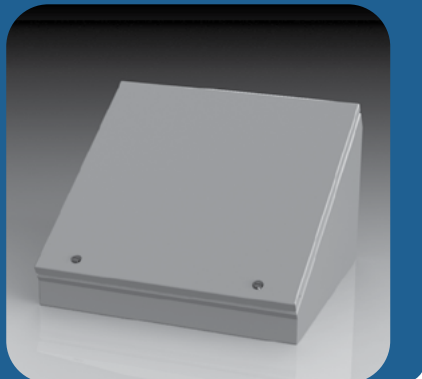
## Finish

ANSI-61 gray powder coated inside and out. Optional sub-panels powder coated white.

## IS4 Industry Standards

NEMA Type 3R, 4, 12 & Type 13  
UL Listed Type 3R, 4 & 12  
CSA Type 3R, 4 & 12  
IEC 60529 IP66

\*\*\*To maintain Type 3R listing, drainage is required. Install equally rated drainage device or drill a 1/8 to 1/4 inch hole in the bottom center of the enclosure, approximately 1 inch from the right, and 1 inch from the left for drainage, use listed rain-tight or wet location hubs.



20

## ELJ CONSOLES

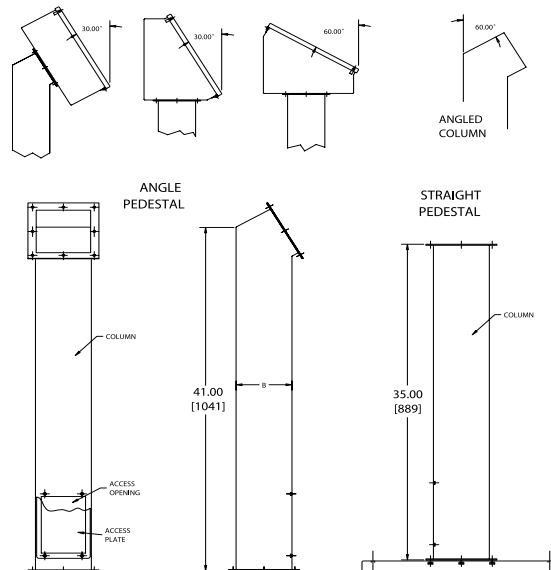
Enclosure Product Code A1				Sub-Panel (P3)			
Catalog No.	Height (A)	Width (B)	Depth (C)	Depth (D)	Catalog No.	Panel Height (E)	Panel Width (B)
<a href="#">SCE-8C8ELJ</a>	8.00	8.00	7.09	7.44	<a href="#">SCE-8P8C</a>	6.00	6.75
<a href="#">SCE-8C12ELJ</a>	8.00	12.00	7.09	7.44	<a href="#">SCE-8P12C</a>	6.00	10.75
<a href="#">SCE-8C16ELJ</a>	8.00	16.00	7.09	7.44	<a href="#">SCE-8P16C</a>	6.00	14.75
<a href="#">SCE-8C20ELJ</a>	8.00	20.00	7.09	7.44	<a href="#">SCE-8P20C</a>	6.00	18.75
<a href="#">SCE-12C12ELJ</a>	12.00	12.00	9.09	10.91	<a href="#">SCE-12P12C</a>	9.50	10.75
<a href="#">SCE-12C16ELJ</a>	12.00	16.00	9.09	10.91	<a href="#">SCE-12P16C</a>	9.50	14.75
<a href="#">SCE-12C20ELJ</a>	12.00	20.00	9.09	10.91	<a href="#">SCE-12P20C</a>	9.50	18.75
<a href="#">SCE-12C24ELJ</a>	12.00	24.00	9.09	10.91	<a href="#">SCE-12P24C</a>	9.50	22.75
<a href="#">SCE-16C16ELJ</a>	16.00	16.00	11.09	14.38	<a href="#">SCE-16P14</a>	15.00	13.00
<a href="#">SCE-16C20ELJ</a>	16.00	20.00	11.09	14.38	<a href="#">SCE-16P20C</a>	12.88	18.75
<a href="#">SCE-16C24ELJ</a>	16.00	24.00	11.09	14.38	<a href="#">SCE-16P24C</a>	12.88	22.75
<a href="#">SCE-16C30ELJ</a>	16.00	30.00	11.09	14.38	<a href="#">SCE-16P30C</a>	12.88	28.75
<a href="#">SCE-20C20ELJ</a>	20.00	20.00	13.09	17.84	<a href="#">SCE-20P20C</a>	16.38	18.75
<a href="#">SCE-20C24ELJ</a>	20.00	24.00	13.09	17.84	<a href="#">SCE-20P24C</a>	16.38	22.75
<a href="#">SCE-20C30ELJ</a>	20.00	30.00	13.09	17.84	<a href="#">SCE-20P30C</a>	16.38	28.75

## CABLE DOOR STOP

Catalog No.	Description	For use on	Product Code
<a href="#">SCE-CBL15</a>	15 inch 135° Door Stop	SCE-12C** & SCE-16C**	P2
<a href="#">SCE-CBL20</a>	20 inch 135° Door Stop	SCE-20C**	P2

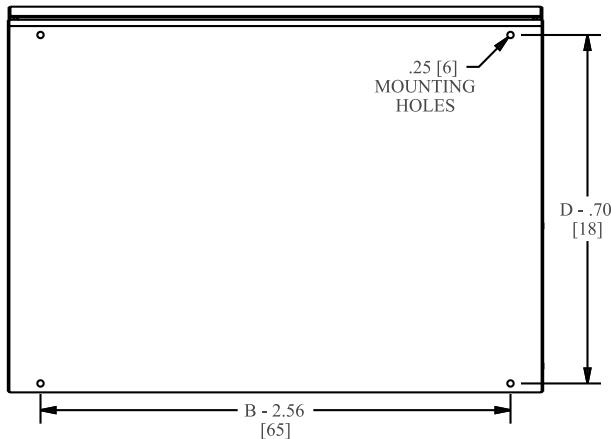
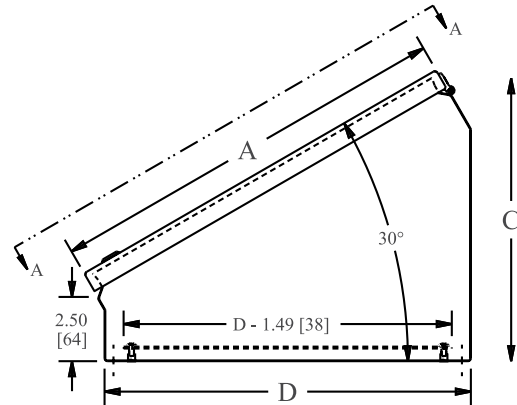
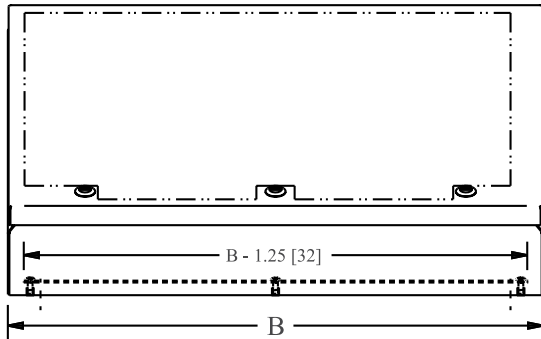
## ACCESSORY COLUMNS AND BASES

Catalog No.	Description	For use on	Product Code
<a href="#">SCE-18SBASE</a>	Pedestal Base	18.00 x 18.00 x 1.00	P2
<a href="#">SCE-24SBASE</a>	Pedestal Base	24.00 x 24.00 x 1.00	P2
<a href="#">SCE-44CCOL</a>	Straight Column	4.00 x 4.00	P2
<a href="#">SCE-44PBCOL</a>	Angled Column	4.00 x 4.00	P2
<a href="#">SCE-66CCOL</a>	Straight Column	6.00 x 6.00	P2
<a href="#">SCE-66PBCOL</a>	Angled Column	6.00 x 6.00	P2



# ELJ CONSOLES

## TECHNICAL DATA



**NOTES:**

Provisions for cable stops on door and body when "A" >= 12.00 [305]

**LATCH NOTES:**

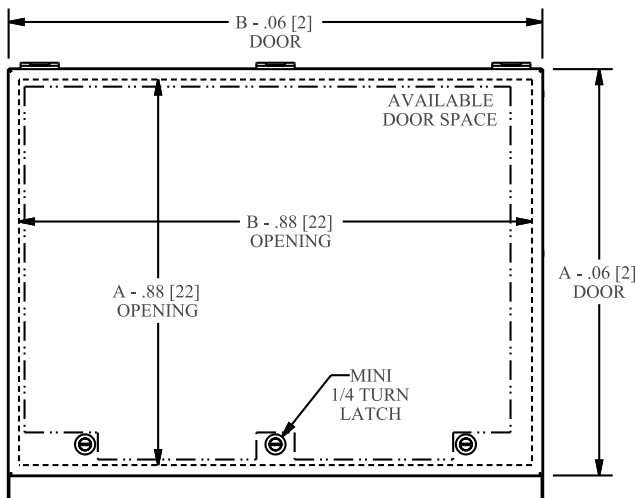
One latch centered on door horizontally if "B" <= 14.00 [356]

Two latches located 3.00 [76] from right & left side of door if "B" > 14.00 [356]

Omit center latch if "B" > 14.00 [356] and <= 20.00 [508]

**SUB-PANEL NOTES:**

Provisions only for sub-panel in bottom.



VIEW A-A

# SERIES 9 CONSOLES

## SERIES 9 CONSOLES

### Application

Designed for electronic controls and instruments. Equipment can be mounted on the sloping control panel door. Interior components mount to stationary panels. Provides protection from dirt, oil, dust and water. For installation information, consult our installation manual at [www.saginawcontrol.com](http://www.saginawcontrol.com)

### Construction

- 0.075" carbon steel.
- Sloping control panel door attached with concealed hinge on bottom edge.
- Door opens to 90 degree.
- Black zinc die cast keylocking/padlocking handle.
- 3-point latching mechanism.
- Seams continuously welded and ground smooth.
- Pour in place oil and water resistant gasket on door.
- Interior print pocket.
- Optional back and side panels are mounted on collar studs.
- Removable eyebolts.
- Ground stud on door and body.
- Hole plugs provided to seal holes in bottom of enclosure.

### Finish

ANSI-61 gray powder coated inside and out. Optional panels are powder coated white.

### IS3 Industry Standards

NEMA Type 3R, 12 & Type 13  
 UL Listed Type 3R & 12  
 CSA Type 3R & 12  
 IEC 60529 IP55

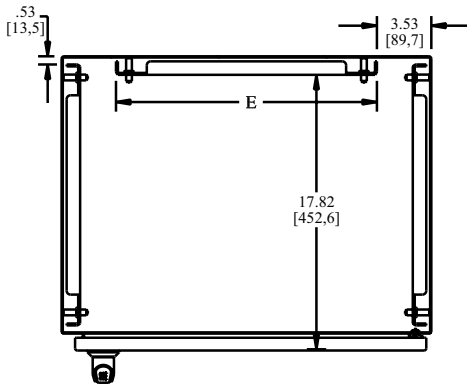
\*\*\*To maintain Type 3R listing, drainage is required. Install equally rated drainage device or drill a 1/8 to 1/4 inch hole in the bottom center of the enclosure, approximately 1 inch from the right, and 1 inch from the left for drainage, use listed rain-tight or wet location hubs.



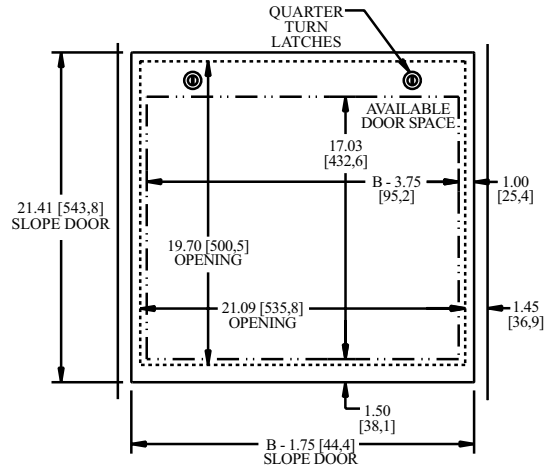
Catalog No.	Enclosure Product Code C1				Qty	Sub-Panel (P3)		
	Height (A)	Width (B)	Depth (C)	Industry Standard		Catalog No.	Panel Height (D)	Panel Width (E)
<a href="#">SCE-924B</a>	48.00	24.00	18.00	IS3	3	SCE-30P20	27.00	17.00
<a href="#">SCE-936B</a>	48.00	36.00	18.00	IS3	2	SCE-30P20 & SCE-30P30	27.00	17.00
					1	SCE-30P30	27.00	27.00

# SERIES 9 CONSOLES

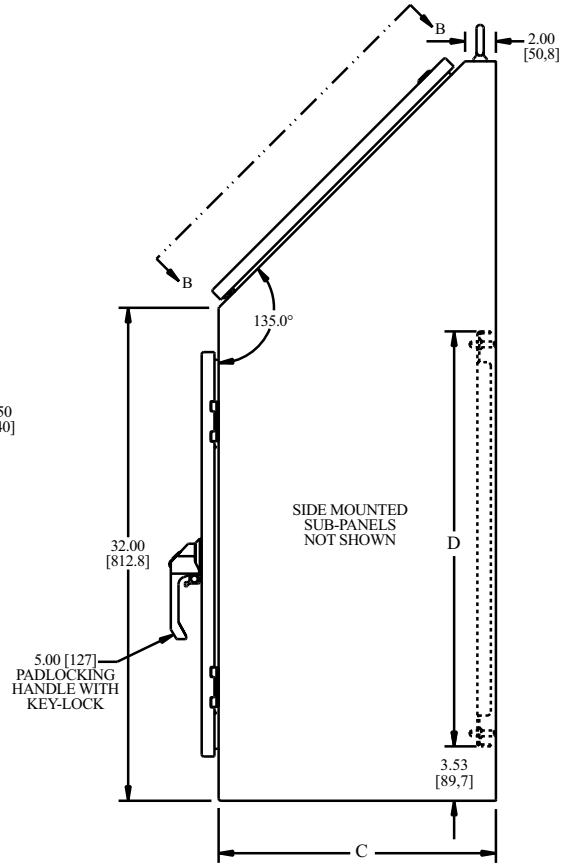
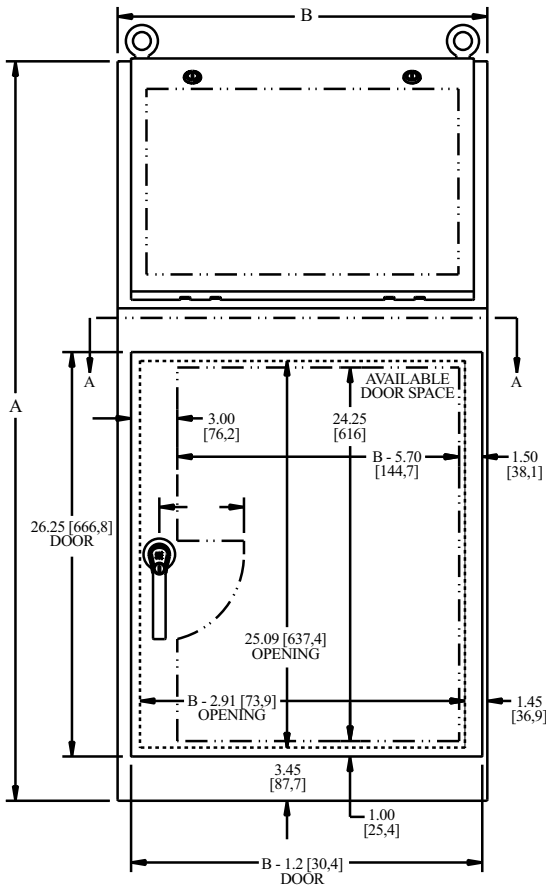
## TECHNICAL DATA



**SECTION A-A**



**VIEW B-B**



# SERIES 14 SINGLE-DOOR CONSOLES

## Application

Designed for electronic controls and instruments. Equipment can be mounted on the sloping control panel door. Interior components mount to stationary panels. Provides protection from dirt, oil, dust and water. For installation information, consult our installation manual at [www.saginawcontrol.com](http://www.saginawcontrol.com)

## Construction

- 0.104" carbon steel.
- Sloping control panel door attached with concealed hinge on bottom edge. Door opens to 90 degree.
- Black zinc die cast keylocking/padlocking handles on front and rear doors.
- 3-point latching mechanism.
- Seams continuously welded and ground smooth.
- Pour in place oil and water resistant gasket on door.
- Optional equipment mounts to horizontal channels welded to sides.
- Optional writing desk and top section available.
- Interior print pocket.
- Removable eyebolts in console body.
- Ground stud on door and body.
- Hole plugs provided to seal holes in bottom of enclosure.

## Finish

ANSI-61 gray powder coated inside and out. Optional panels are powder coated white.

## IS3 Industry Standards

NEMA Type 3R, 12 & Type 13  
 UL Listed Type 3R & 12  
 CSA Type 3R & 12  
 IEC 60529 IP55

\*\*\*To maintain Type 3R listing, drainage is required. Install equally rated drainage device or drill a 1/8 to 1/4 inch hole in the bottom center of the enclosure, approximately 1 inch from the right, and 1 inch from the left for drainage, use listed rain-tight or wet location hubs.

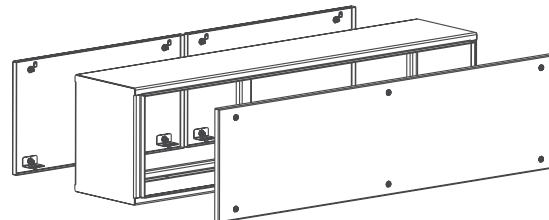


## SERIES 14 SINGLE-DOOR CONSOLES - 24" WIDE

Catalog No.	Description	Enclosures			Product Code	Industry Standard
		Height (A)	Width (B)	Depth (C)		
<a href="#">SCE-14B</a>	Console Body	50.00	24.00	23.00	C1	IS3
<a href="#">SCE-14T</a>	Console Top	16.00	24.00	12.50	C1	IS1
<a href="#">SCE-14P1</a>	Swing-Out Panel	22.00	18.12		P2	IS1
<a href="#">SCE-14P2</a>	Half Panel	22.00	17.00		P3	IS1
<a href="#">SCE-14P3</a>	Full Panel	42.25	17.00		P3	IS1
<a href="#">SCE-14R</a>	Rack Angles	29.00	(set of 2)		P2	IS1
<a href="#">SCE-14W</a>	Writing Desk	24.00	10.00		P2	IS1

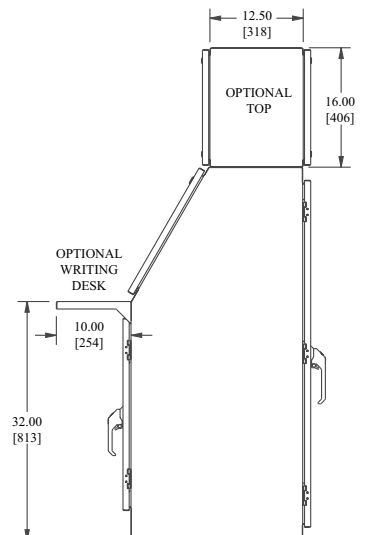
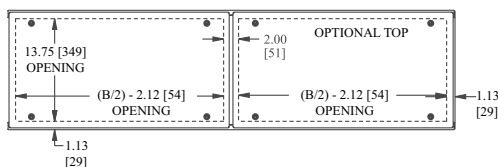
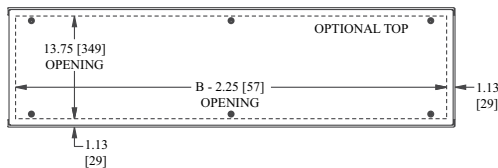
## SERIES 14 SINGLE-DOOR CONSOLES - 36" WIDE

Catalog No.	Description	Enclosures			Product Code	Industry Standard
		Height (A)	Width (B)	Depth (C)		
<a href="#">SCE-1436B</a>	Console Body	50.00	36.00	23.00	C1	IS3
<a href="#">SCE-1436T</a>	Console Top	16.00	36.00	12.50	C1	IS1
<a href="#">SCE-1436P1</a>	Swing-Out Panel	22.00	30.12		P2	IS1
<a href="#">SCE-1436P2</a>	Half Panel	22.00	29.00		P3	IS1
<a href="#">SCE-1436P3</a>	Full Panel	42.25	29.00		P3	IS1
<a href="#">SCE-1436W</a>	Writing Desk	36.00	10.00		P2	IS1



### OPTIONAL TOP NOTES:

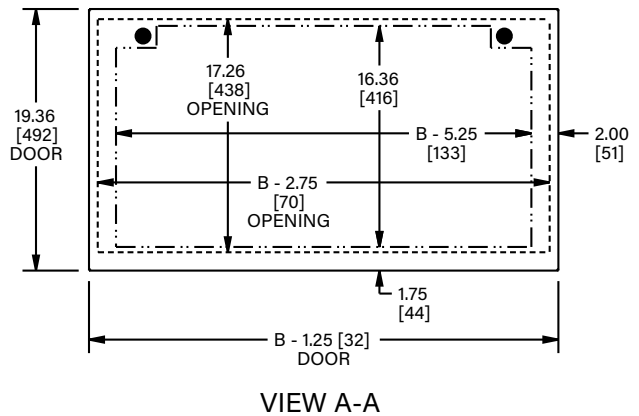
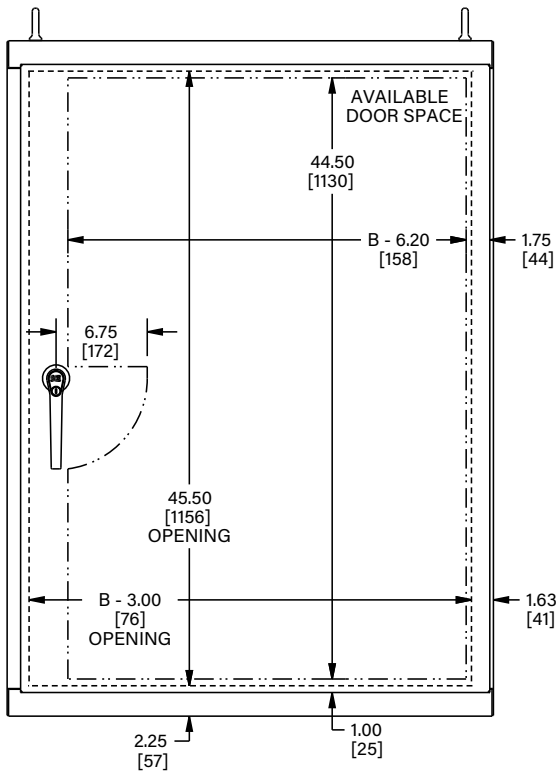
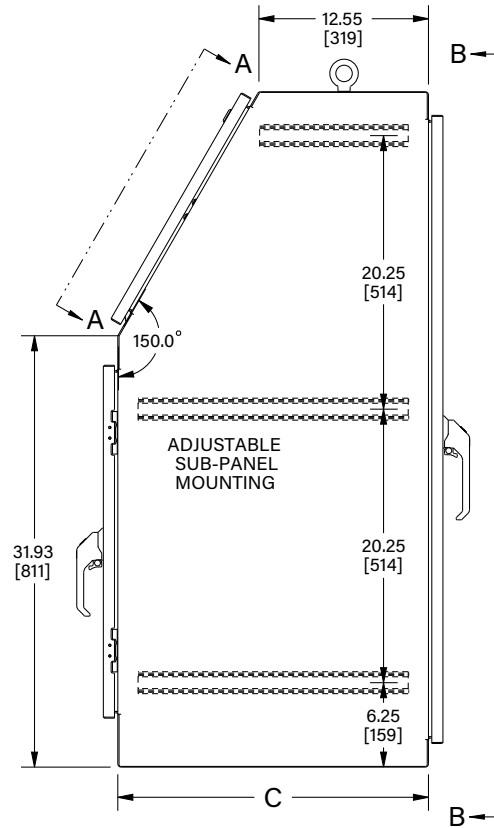
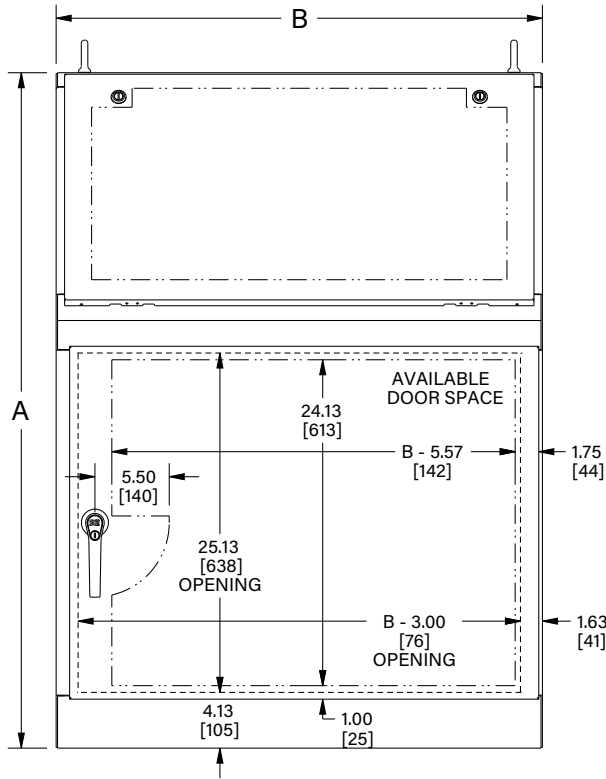
1. SINGLE FRONT & SINGLE REAR ACCESS PANEL ON ENCLOSURES < 48.00 [1219] WIDE.
2. SINGLE FRONT & TWO REAR ACCESS PANELS ON 48.00 [1219] & 60.00 [1524] WIDE
3. TWO FRONT & TWO REAR ACCESS PANELS ON 72.00 [1829] WIDE.





# SERIES 14 SINGLE-DOOR CONSOLES

## TECHNICAL DATA



VIEW B-B

VIEW A-A

# SERIES 14 TWO-DOOR CONSOLES

## Application

Designed for electronic controls and instruments. Equipment can be mounted on the sloping control panel door. Interior components mount to stationary panels. Provides protection from dirt, oil, dust and water. For installation information, consult our installation manual at [www.saginawcontrol.com](http://www.saginawcontrol.com)

## Construction

- 0.104" carbon steel.
- Sloping control panel door attached with concealed hinge on bottom edge. Door opens to 90 degree.
- Black zinc die cast keylocking/padlocking handles on front and rear doors.
- 3-point latching mechanism.
- Seams continuously welded and ground smooth.
- Pour in place oil and water resistant gasket on door.
- Optional equipment mounts to horizontal channels welded to sides.
- Optional writing desk and top section available.
- Interior print pocket.
- Removable eyebolts in console body.
- Ground stud on door and body.
- Hole plugs provided to seal holes in bottom of enclosure.

## Finish

ANSI-61 gray powder coated inside and out. Optional panels are powder coated white.

## IS3 Industry Standards

NEMA Type 3R, 12 & Type 13  
 UL Listed Type 3R & 12  
 CSA Type 3R & 12  
 IEC 60529 IP55

\*\*\*To maintain Type 3R listing, drainage is required. Install equally rated drainage device or drill a 1/8 to 1/4 inch hole in the bottom center of the enclosure, approximately 1 inch from the right, and 1 inch from the left for drainage, use listed rain-tight or wet location hubs.



## SERIES 14 TWO-DOOR CONSOLES - 48" WIDE

Catalog No.	Description	Enclosures				
		Height (A)	Width (B)	Depth (C)	Product Code	Industry Standard
<a href="#">SCE-1448BD</a>	Console Body	50.00	48.00	23.00	C1	IS3
<a href="#">SCE-1448T</a>	Console Top	16.00	48.00	12.50	C1	IS1
<a href="#">SCE-1448P2</a>	Half Panel	22.00	41.00		P3	IS1
<a href="#">SCE-1448P3</a>	Full Panel	42.25	41.00		P3	IS1
<a href="#">SCE-1448W</a>	Writing Desk	48.00	10.00		P2	IS1

## SERIES 14 TWO-DOOR CONSOLES - 60" WIDE

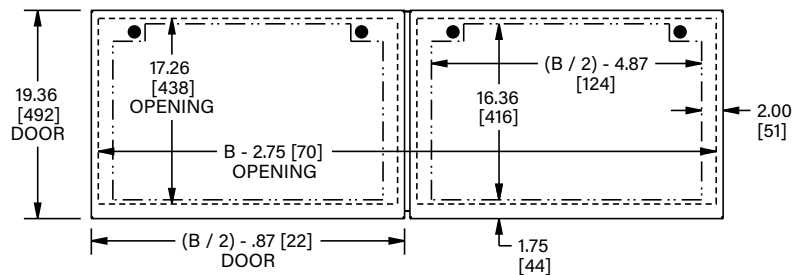
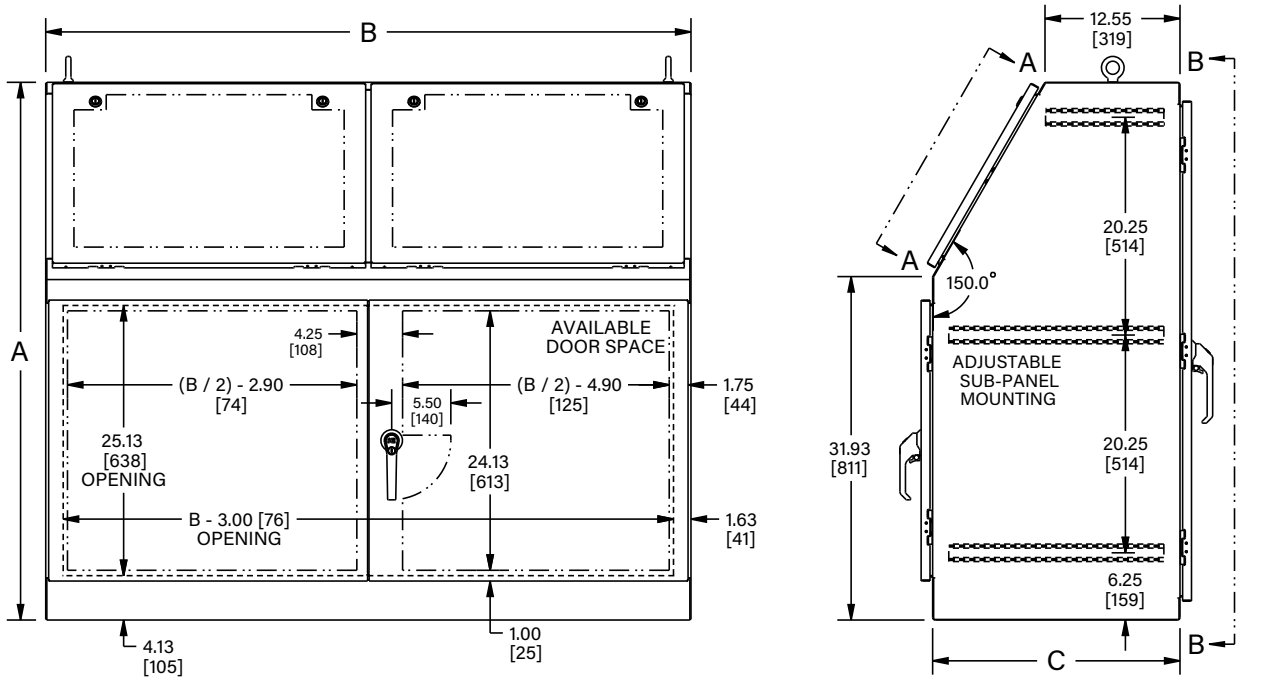
Catalog No.	Description	Enclosures				
		Height (A)	Width (B)	Depth (C)	Product Code	Industry Standard
<a href="#">SCE-1460BD</a>	Console Body	50.00	60.00	23.00	C1	IS3
<a href="#">SCE-1460T</a>	Console Top	16.00	60.00	12.50	C1	IS1
<a href="#">SCE-1460P2</a>	Half Panel	22.00	53.00		P3	IS1
<a href="#">SCE-1460P3</a>	Full Panel	42.25	53.00		P3	IS1
<a href="#">SCE-1460W</a>	Writing Desk	60.00	10.00		C2	IS1

## SERIES 14 TWO-DOOR CONSOLES - 72" WIDE

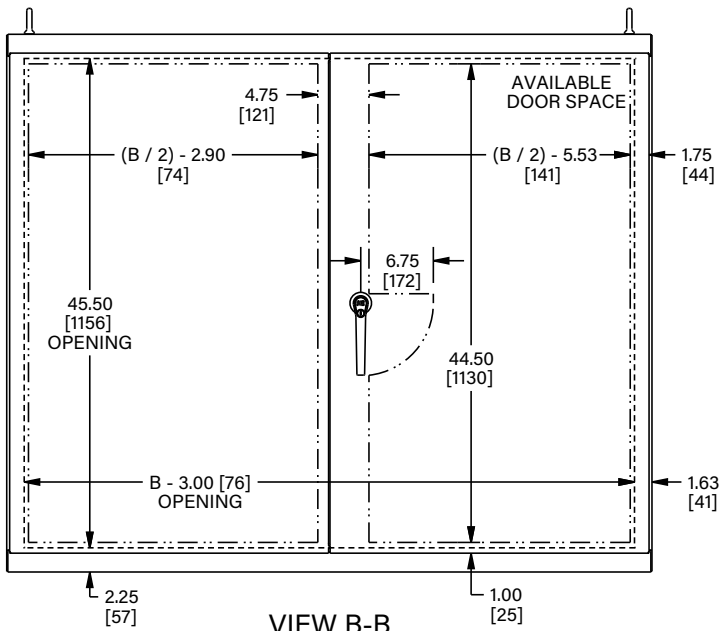
Catalog No.	Description	Enclosures				
		Height (A)	Width (B)	Depth (C)	Product Code	Industry Standard
<a href="#">SCE-1472BD</a>	Console Body	50.00	72.00	23.00	C1	IS3
<a href="#">SCE-1472T</a>	Console Top	16.00	72.00	12.50	C1	IS1
<a href="#">SCE-1472P3</a>	Full Panel	42.25	65.00		P3	IS1
<a href="#">SCE-1472W</a>	Writing Desk	72.00	10.00		P2	IS1

# SERIES 14 TWO-DOOR CONSOLES

## TECHNICAL DATA



VIEW A-A



VIEW B-B

# DESK CONSOLES

## Application

Intended for indoor use to provide a degree of protection to personnel against access to hazardous parts, also to provide a degree of protection for the equipment inside the enclosure against ingress of solid foreign objects and falling dirt, to provide a degree of protection with respect to harmful effects on the equipment due to the ingress of water, splashing water. Designed for use in a standing or sitting position with single or dual access and top that opens for easy accessibility. For installation information, consult our installation manual at [www.saginawcontrol.com](http://www.saginawcontrol.com).

## Construction

- 0.075" carbon steel.
- Seams continuously welded and ground smooth.
- 25 degree sloped top.
- Door props on sloped door to hold in the open position.
- Pour in place oil and water resistant gasket.
- Flange trough collar around all sides of door opening.
- Concealed hinges.
- Removable doors.
- Removable print pocket.
- Ground studs on door and body.
- Rubber pads with provision for leveling pads on bottom of enclosure.
- Black quarter turn latches on top door.
- Keylocking black 3-point flush swing handle in front door of single access, front and rear doors on dual access.
- Mounting studs welded on interior back for mounting optional sub-panels on single access console.
- Mounting channels welded on sides of interior body for mounting optional sub-panels on dual access console.
- Mounting hardware included for (1) optional sub-panel.

## Finish

ANSI-61 gray powder coated inside and out. Optional panels are powder coated white.

## Options

Optional tamper-resistant inserts or padlocking handles are available.

## IS3 Industry Standards

NEMA Type 3R, 12 & Type 13  
 UL Listed Type 3R & 12  
 CSA Type 3R & 12  
 IEC 60529 IP55

## IS4 Industry Standards

NEMA Type 3R, 4, 12 & Type 13  
 UL Listed Type 3R, 4 & 12  
 CSA Type 3R, 4 & 12  
 IEC 60529 IP66

\*\*\*To maintain Type 3R listing, drainage is required. Install equally rated drainage device or drill a 1/8 to 1/4 inch hole in the bottom center of the enclosure, approximately 1 inch from the right, and 1 inch from the left for drainage, use listed rain-tight or wet location hubs.

## DESK CONSOLES

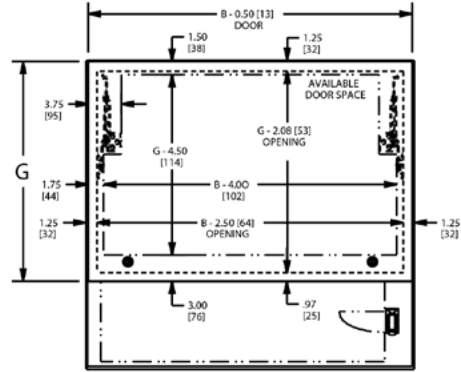
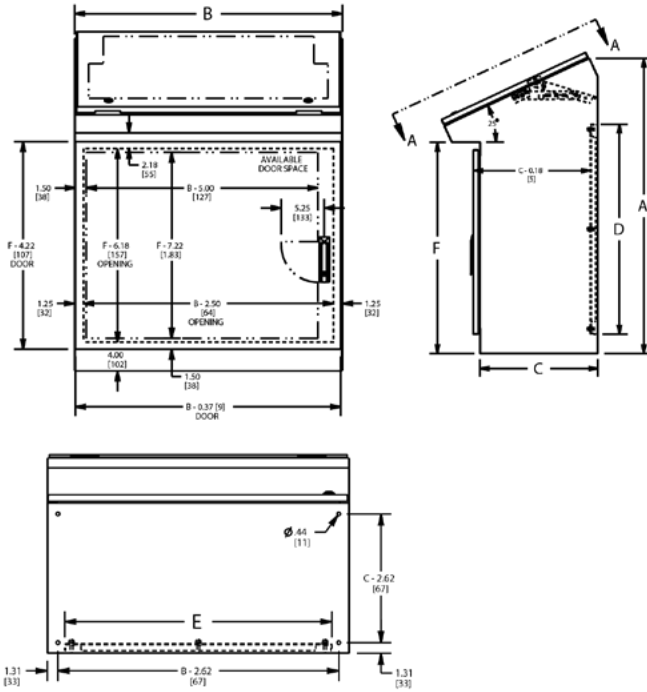
Enclosure Product Code C1					Sub-Panel (P3)		
Catalog No.	Height (A)	Width (B)	Depth (C)	Industry Standard	Catalog No.	Panel Height (D)	Panel Width (E)
<b>Single Access Single-Door</b>							
<a href="#">SCE-402516SDC</a>	40.25	25.25	15.50	IS4	SCE-30P24	27.00	21.00
<a href="#">SCE-403716SDC</a>	40.25	37.25	15.50	IS3	SCE-36P30	33.00	27.00
<a href="#">SCE-462519SDC</a>	46.25	25.25	18.50	IS4	SCE-36P24	33.00	21.00
<a href="#">SCE-463719SDC</a>	46.25	37.25	18.50	IS3	SCE-36P36	33.00	33.00
<b>Dual Access Single-Door</b>							
<a href="#">SCE-462519DC</a>	46.25	25.25	18.50	IS4	SCE-36P24	33.00	21.00
<a href="#">SCE-463719DC</a>	46.25	37.25	18.50	IS3	SCE-36P36	33.00	33.00
<b>Single Access Overlapping Two-Door</b>							
<a href="#">SCE-464919SDC</a>	46.25	49.25	18.50	IS3	SCE-48P36	45.00	33.00
<a href="#">SCE-466019SDC</a>	46.25	59.88	18.50	IS3	SCE-60PC36	55.63	33.00
<b>Dual Access Overlapping Two-Door</b>							
<a href="#">SCE-464919DC</a>	46.25	49.25	18.50	IS3	SCE-48P36	45.00	33.00
<a href="#">SCE-466019DC</a>	46.25	59.88	18.50	IS3	SCE-60PC36	55.63	33.00
<b>Dual Access Two-Door With Center Channel</b>							
<a href="#">SCE-464919DCC</a>	46.25	49.25	18.50	IS4	SCE-48P36	45.00	33.00
<a href="#">SCE-466019DCC</a>	46.25	59.88	18.50	IS4	SCE-60PC36	55.63	33.00



# DESK CONSOLES

## TECHNICAL DATA

### SINGLE ACCESS SINGLE-DOOR



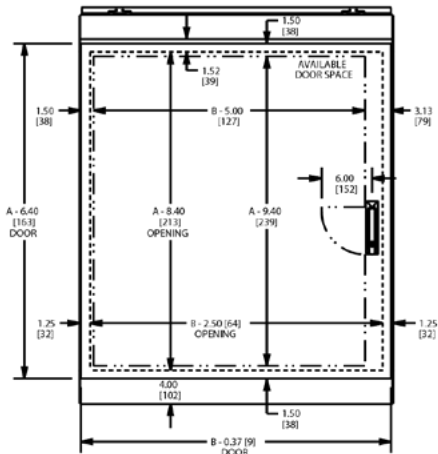
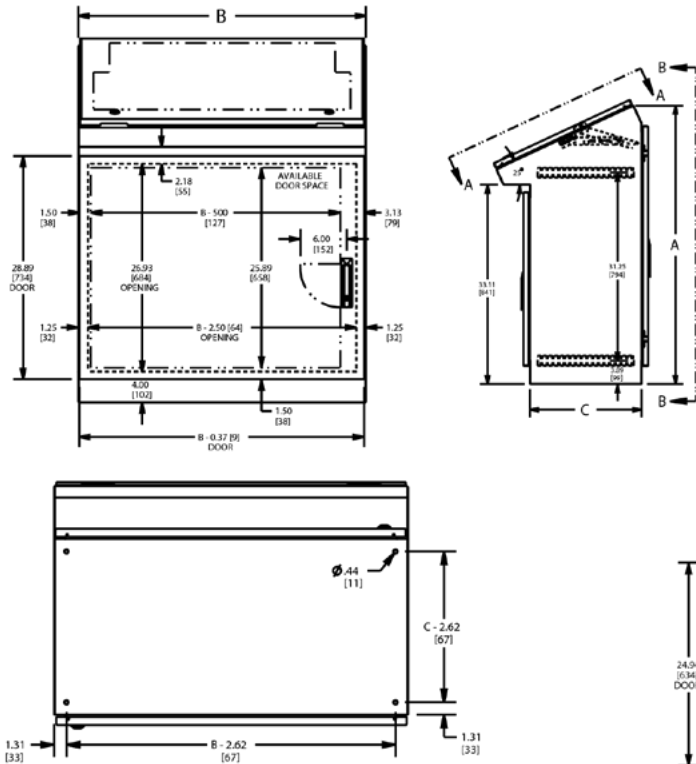
VIEW A-A

**NOTES:**

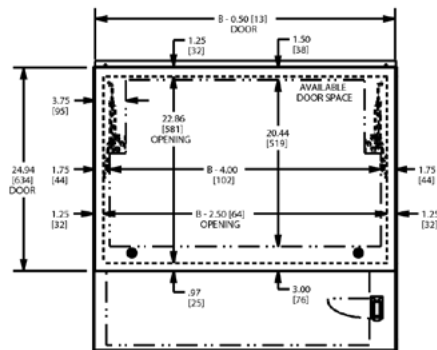
F = 28.46 [723] for SCE-402516SDC  
 F = 28.46 [723] for SCE-403716SDC  
 F = 33.06 [840] for SCE-462519SDC  
 F = 33.06 [840] for SCE-463719SDC

G = 21.71 [551] for SCE-402516SDC  
 G = 21.71 [551] for SCE-403716SDC  
 G = 25.02 [636] for SCE-462519SDC  
 G = 25.02 [636] for SCE-463719SDC

### DUAL ACCESS SINGLE-DOOR

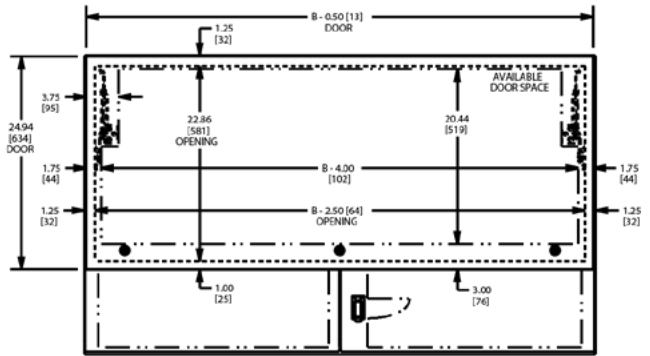
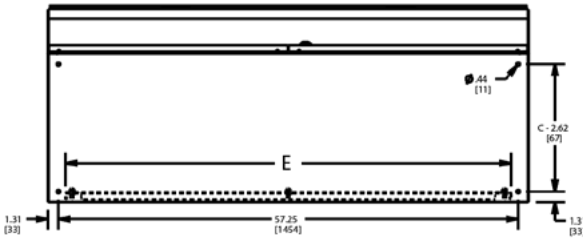
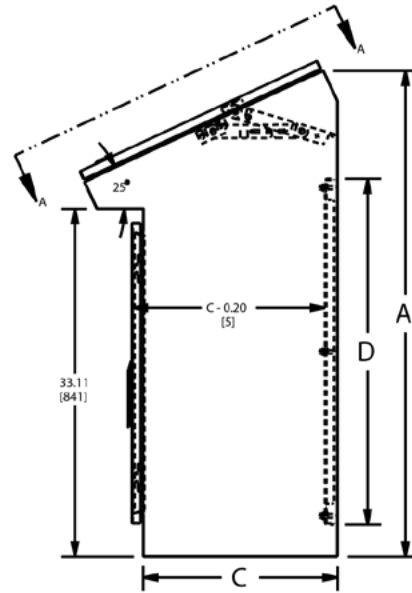
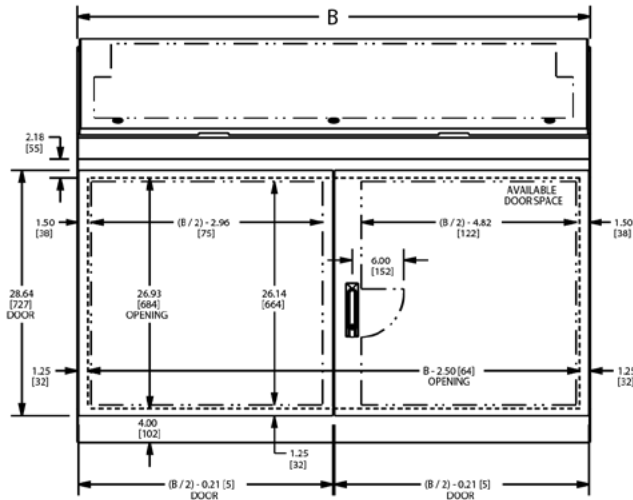


VIEW B-B



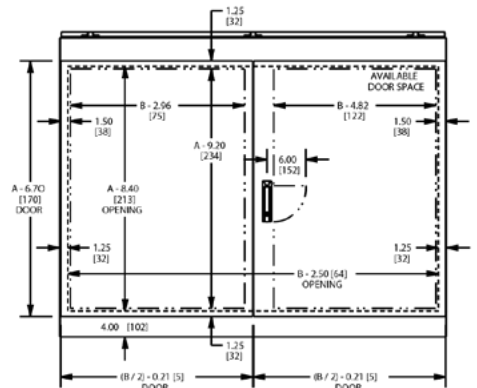
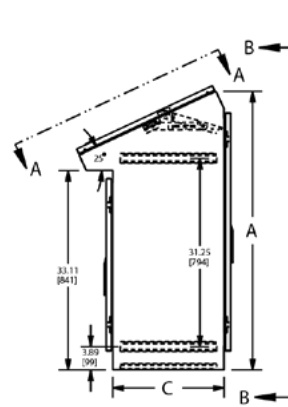
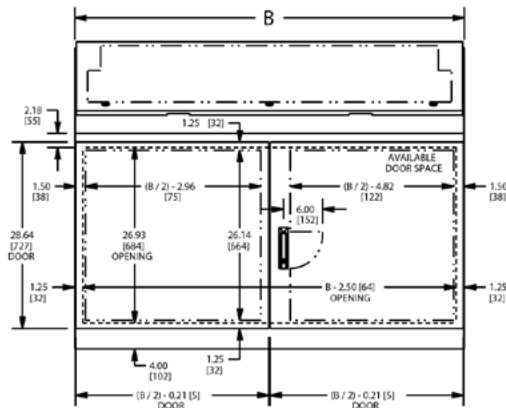
VIEW A-A

**SINGLE ACCESS OVERLAPPING TWO-DOOR**

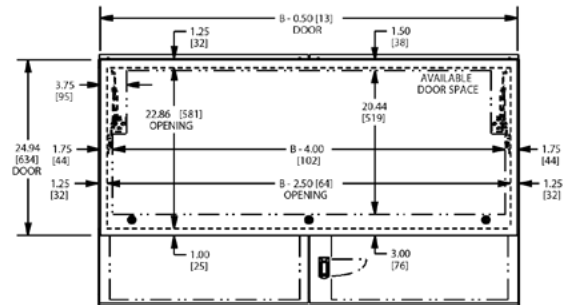
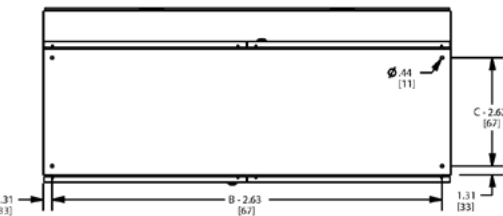


VIEW A-A

**DUAL ACCESS OVERLAPPING TWO-DOOR**

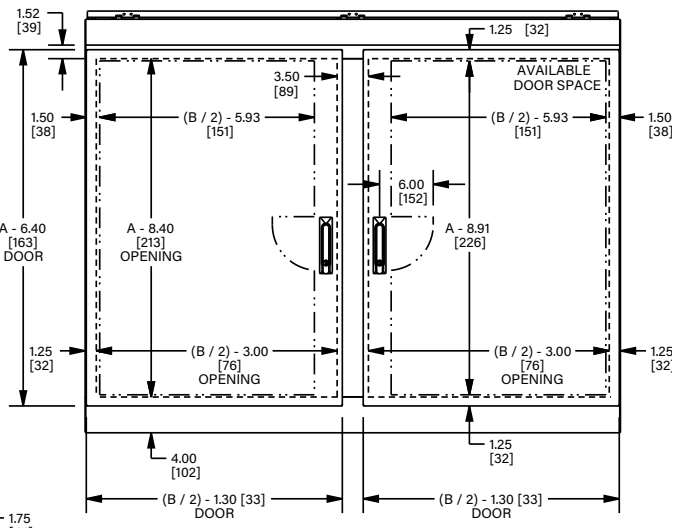
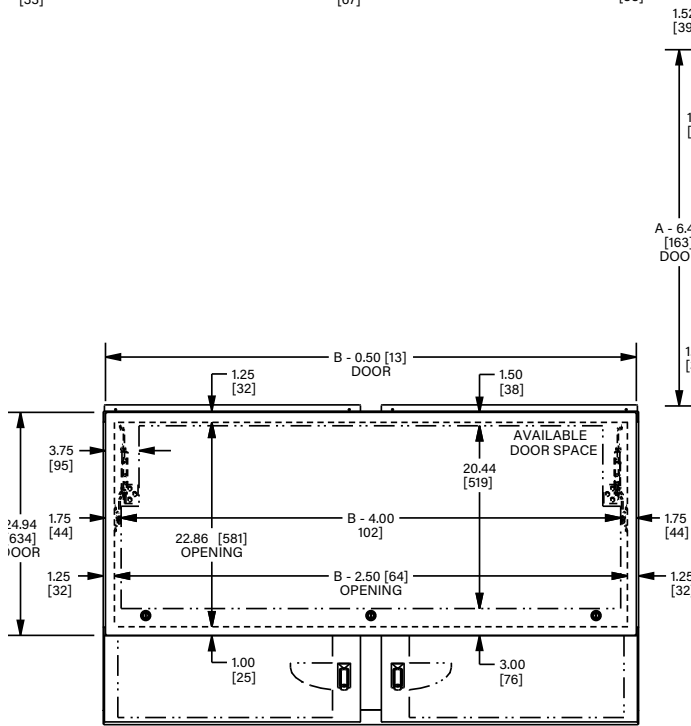
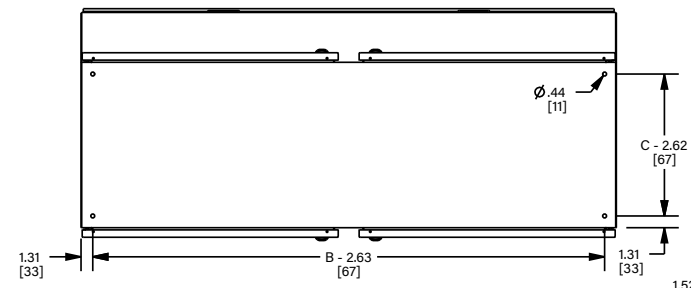
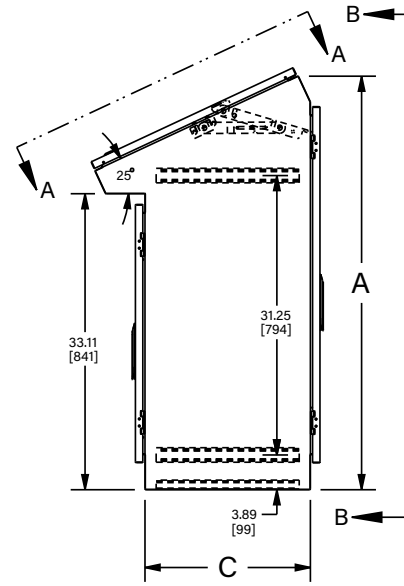
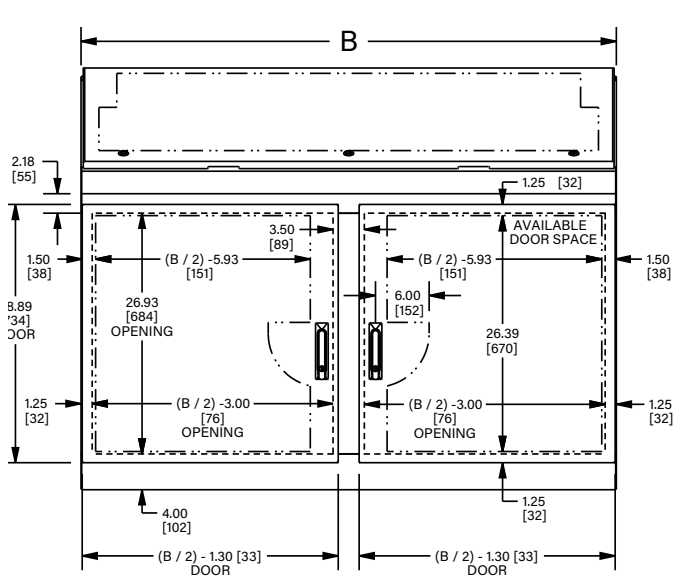


VIEW B-B



VIEW A-A

DUAL ACCESS TWO-DOOR WITH CENTER CHANNEL



VIEW B-B

VIEW A-A

# WORK STATION

## Application

Designed to house a computer, keyboard, monitor and other additional computer equipment in an industrial environment and provide degree of protection from dust, oil and moisture. For installation information, consult our installation manual at [www.saginawcontrol.com](http://www.saginawcontrol.com).

## Construction

- 0.075" carbon steel.
- Seams continuously welded and ground smooth.
- Pour in place oil and water resistant gasket.
- Flange trough collar around all sides of door opening.
- Concealed hinges.
- Removable doors.
- Ground studs on door and body.
- Large polycarbonate viewing window in top door.
- Lifting eyes for easy handling.
- Rubber pads with provision for leveling pads on bottom of enclosure.
- Black quarter turn latches on top door.
- Black quarter turn wing knob latches on keyboard door.
- Black 3-point flush swing handle in lower front and back doors.
- Gland plate on lower back of enclosure.
- Pullout keyboard shelf with attached self storing mouse shelf and mouse pad.
- Mounting channels welded on sides of interior body for mounting optional sub-panels, racks, mounting angles and shelves.

## Options

Optional tamper-resistant inserts or padlocking handles are available.

## Accessories - See Pages 38-44

## Finish

RAL 7035 gray powder coated inside and out.

## IS1 Industry Standards

- NEMA Type 12 & Type 13
- UL Listed Type 12
- CSA Type 12
- IEC 60529 IP55

## WORK STATION

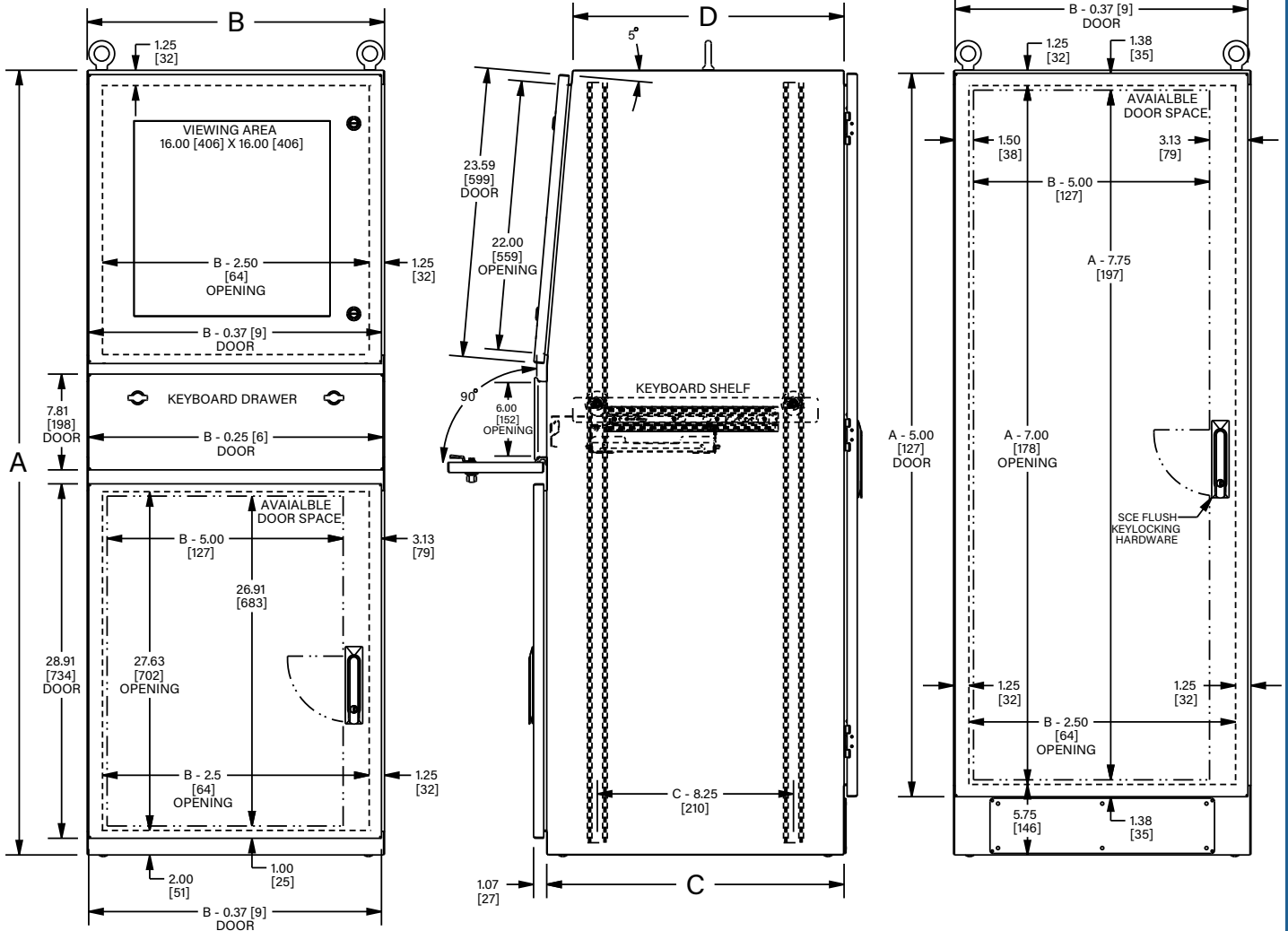
Enclosure Product Code C2

Catalog No.	Height (A)	Width (B)	Depth (C)	Top Size (D)	Industry Standard
<a href="#">SCE-642424WS</a>	64.00	24.25	24.25	22.15	IS1
<a href="#">SCE-642432WS</a>	64.00	24.25	32.25	22.15	IS1





# WORK STATION TECHNICAL DATA



# PEDESTAL MOUNT/DESKTOP WORK STATION

## Application

Designed to house a computer, keyboard, monitor and other additional computer equipment in an industrial environment and provide degree of protection from dust, oil and moisture. For installation information, consult our installation manual at [www.saginawcontrol.com](http://www.saginawcontrol.com).

## Construction

- 0.075" carbon steel.
- Seams continuously welded and ground smooth.
- Pour in place oil and water resistant gasket.
- Flange trough collar around all sides of door opening.
- Concealed hinges.
- Removable doors.
- Ground studs on door and body.
- Large polycarbonate viewing window.
- Lifting eyes for easy handling.
- Black quarter turn latches on top door.
- Black quarter turn wing knob latches on keyboard door.
- Black 3-point flush swing handle in back door.
- Pullout keyboard shelf with attached self storing mouse shelf and mouse pad.
- Mounting channels welded on sides of interior body for mounting optional sub-panels, racks, mounting angles and shelves.

## Options

Optional tamper-resistant inserts or padlocking handles are available.

**Accessories - See Pages 38-44**

## Finish

RAL 7035 gray powder coated inside and out.

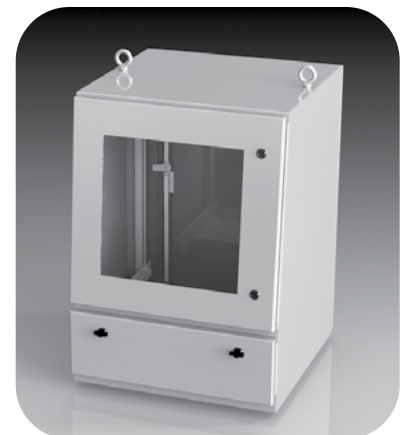
## IS1 Industry Standards

NEMA Type 12 & Type 13  
 UL Listed Type 12  
 CSA Type 12  
 IEC 60529 IP55

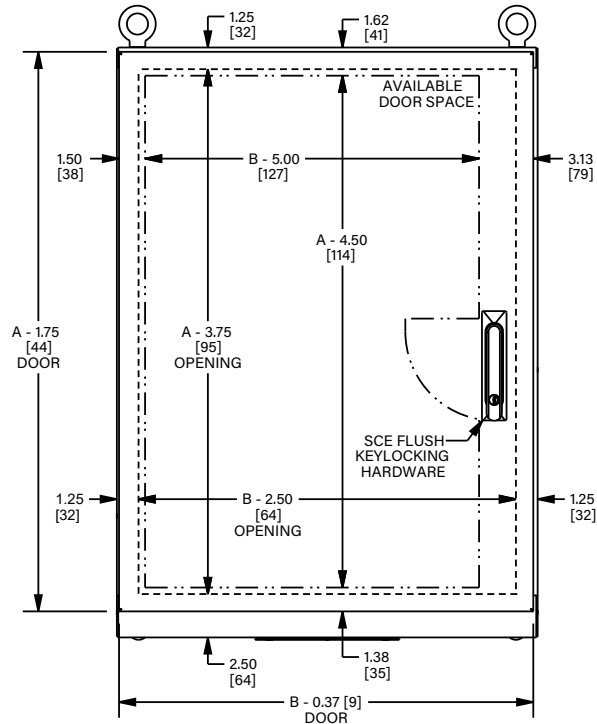
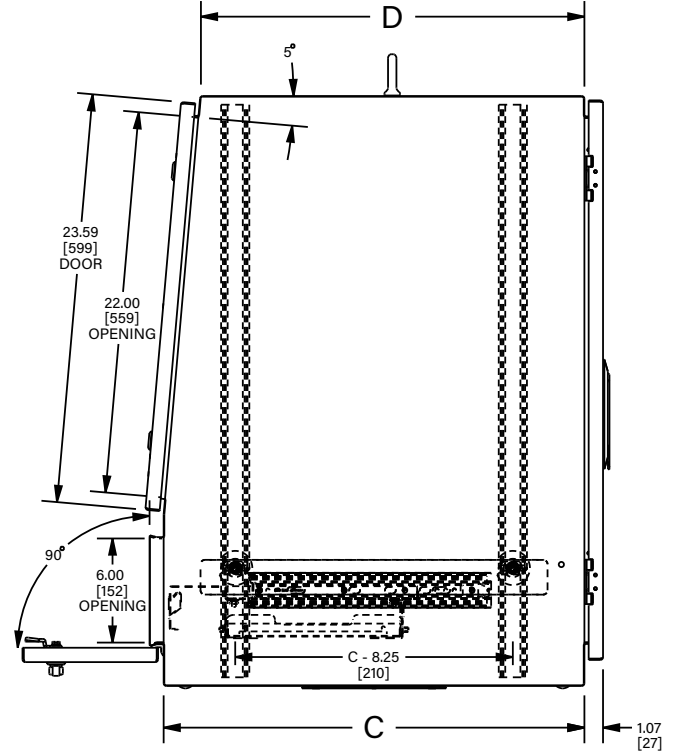
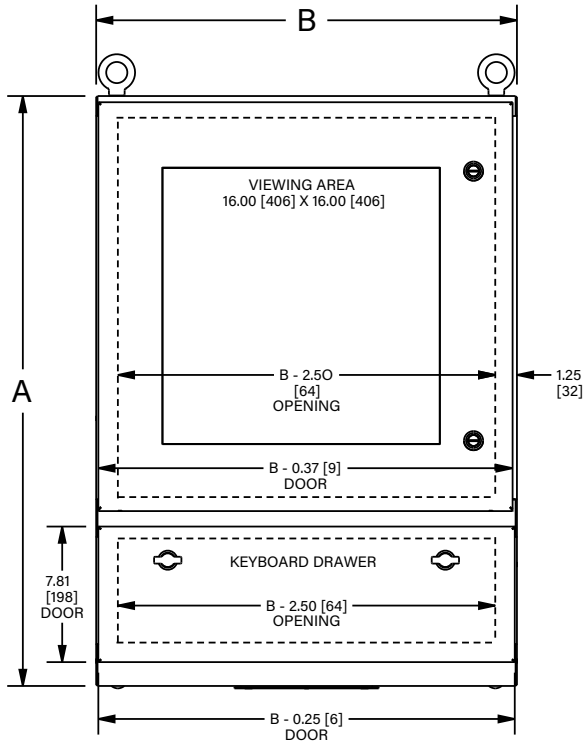
## PEDESTAL MOUNT/DESKTOP WORK STATION

Enclosure Product Code C2

Catalog No.	Height (A)	Width (B)	Depth (C)	Top Size (D)	Industry Standard
<a href="#">SCE-342424WS</a>	34.00	24.25	24.25	22.15	IS1



# WORK STATION TECHNICAL DATA



# SLOPE TOP WORK STATION

## Application

Designed to house a computer, keyboard, monitor and other additional computer equipment in an industrial environment and provide degree of protection from dust, oil and moisture. For installation information, consult our installation manual at [www.saginawcontrol.com](http://www.saginawcontrol.com).

## Construction

- 0.075" carbon steel.
- Seams continuously welded and ground smooth.
- Pour in place oil and water resistant gasket.
- Flange trough collar around all sides of door opening.
- Concealed hinges.
- Removable doors.
- Ground studs on door and body.
- Large polycarbonate viewing window.
- Lifting eyes for easy handling.
- Black quarter turn latches on top door.
- Black quarter turn wing knob latches on keyboard door.
- Black 3-point flush swing handle in back door.
- Gland plate on lower back of enclosure
- Pullout keyboard shelf with attached self storing mouse shelf and mouse pad.
- Mounting channels welded on sides of interior body for mounting optional sub-panels, racks, mounting angles and shelves.

## Options

Optional tamper-resistant inserts or padlocking handles are available.

**Accessories - See Pages 38-44**

## Finish

Powder coated white inside and out.

## IS1 Industry Standards

NEMA Type 12 & Type 13  
 UL Listed Type 12  
 CSA Type 12  
 IEC 60529 IP55

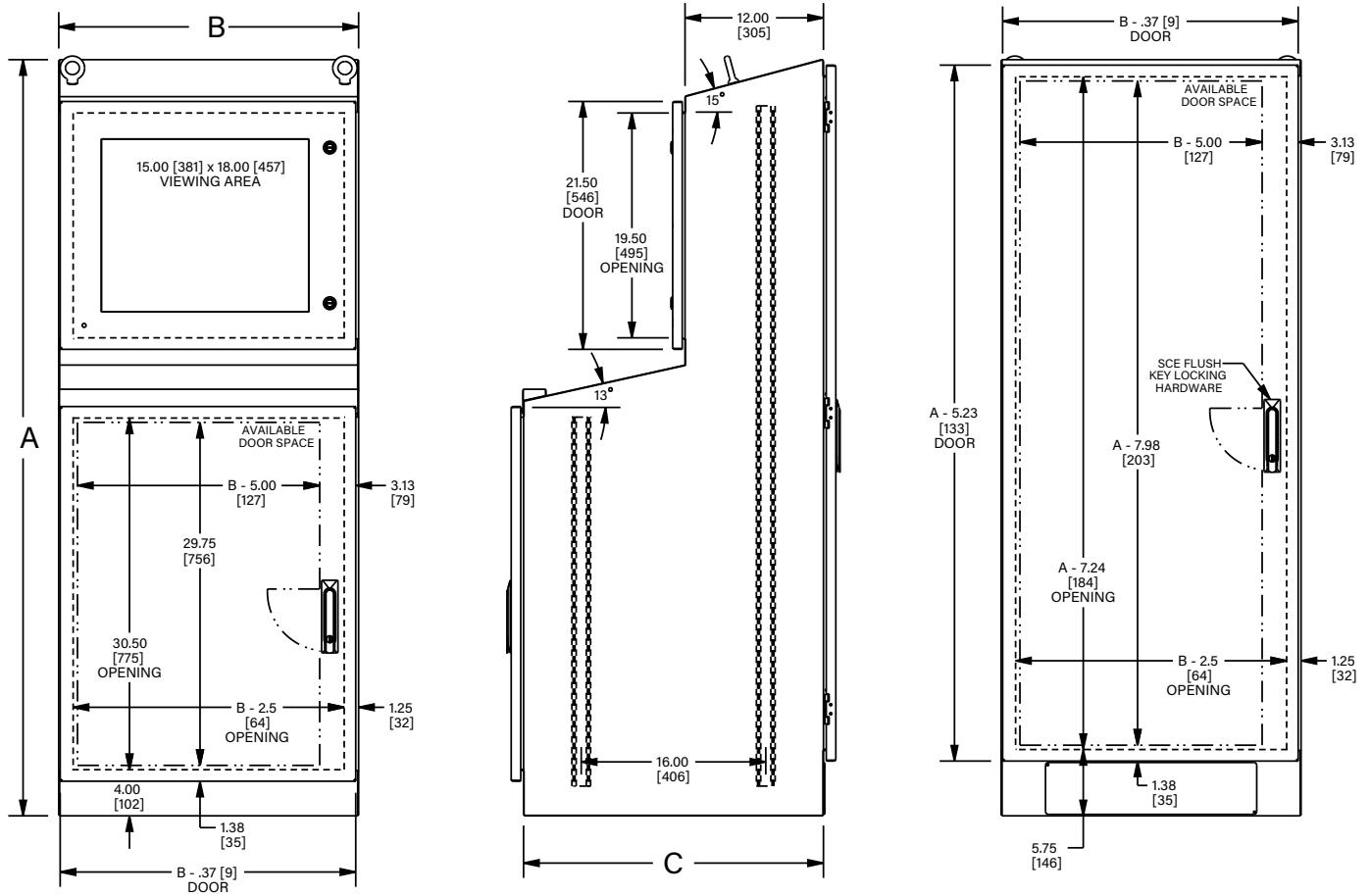
Enclosure Product Code C2

Catalog No.	Height (A)	Width (B)	Depth (C)	Industry Standard
<a href="#">SCE-66ST2626WS</a>	65.59	26.00	26.00	IS1



# SLOPE TOP WORK STATION

## TECHNICAL DATA





Your Enclosure Source®

# WORK STATION ACCESSORY SELECTION GUIDE

Part Number	Description								
		SCE-642424WS	SCE-642424SSWS	SCE-642432WS	SCE-642432SSWS	SCE-342424WS	SCE-342424SSWS	SCE-66ST2626WS	SCE-66ST2626SSWS
<a href="#">SCE-20POS</a>	Pullout Shelf	•	•			•	•		
<a href="#">SCE-22POS</a>	Pullout Shelf							•	•
<a href="#">SCE-26POS</a>	Pullout Shelf			•	•				
<a href="#">SCE-22VEPOS</a>	Vented Pullout Shelf							•	•
<a href="#">SCE-20STS</a>	Stationary Shelf	•	•			•	•		
<a href="#">SCE-22STS</a>	Stationary Shelf							•	•
<a href="#">SCE-26STS</a>	Stationary Shelf			•	•				
<a href="#">SCE-20VESTS</a>	Vented Stationary Shelf	•	•			•	•		
<a href="#">SCE-22VESTS</a>	Vented Stationary Shelf							•	•
<a href="#">SCE-26VESTS</a>	Vented Stationary Shelf			•	•				
<a href="#">SCE-8STS</a>	Monitor Shelf							•	•
<a href="#">SCE-8VESTS</a>	Vented Monitor Shelf							•	•
<a href="#">SCE-STMMK</a>	Monitor Mounting Bracket	•	•	•	•			•	•
<a href="#">SCE-60RA19WS</a>	Type RA Top Rack Angle	•	•	•	•	•	•		
<a href="#">SCE-60RA24WS</a>	Type RA Bottom Rack Angle	•	•	•	•				
<a href="#">SCE-60RP19WS</a>	Type RP Top Rack Angle	•	•	•	•	•	•		
<a href="#">SCE-60RP24F6</a>	Type RP Bottom Rack Angle	•	•	•	•				
<a href="#">SCE-STWSPL</a>	Pencil Edge/Palm Rest							•	
<a href="#">SCE-STWSPLSS</a>	Pencil Edge/Palm Rest								•
<a href="#">SCE-PSK24</a>	Panel Support	•	•			•	•	•	•
<a href="#">SCE-PSK32</a>	Panel Support			•	•				
<a href="#">SCE-60P24WS</a>	Side Mount Plate	•	•			•	•	•	•
<a href="#">SCE-60P32WS</a>	Side Mount Plate			•	•				
<a href="#">SCE-SB18</a>	Support Bracket	•	•	•	•	•	•		
<a href="#">SCE-LPD2</a>	Leveling Pad	•	•	•	•	•	•	•	•
<a href="#">SCE-STWBTD</a>	Blank Top Door							•	
<a href="#">SCE-STWSSBTD</a>	Blank Top Door - Stainless Steel								•
<a href="#">SCE-WSBTD</a>	Blank Top Door	•		•		•			
<a href="#">SCE-WSSBTD</a>	Blank Top Door - Stainless Steel		•		•		•		
<a href="#">SCE-PE22</a>	Pedestal					•			
<a href="#">SCE-PE22SS</a>	Pedestal - Stainless Steel						•		
<a href="#">SCE-24PEBASE</a>	Pedestal Base					•			
<a href="#">SCE-24PEBASESS</a>	Pedestal Base - Stainless Steel						•		
<a href="#">SCE-P2424WS</a>	Plinth Base	•				•			
<a href="#">SCE-P2432WS</a>	Plinth Base			•					
<a href="#">SCE-P2626WS</a>	Plinth Base							•	
<a href="#">SCE-P2424SSWS</a>	Plinth Base - Stainless Steel		•				•		
<a href="#">SCE-P2432SSWS</a>	Plinth Base - Stainless Steel				•				
<a href="#">SCE-P2626SSWS</a>	Plinth Base - Stainless Steel								•
<a href="#">SCE-KBH</a>	Keyboard Housing	•	•	•	•	•	•		
<a href="#">SCE-WSCC</a>	Control Compartment	•		•		•			
<a href="#">SCE-WSCCSS</a>	Control Compartment - Stainless Steel		•		•		•		
<a href="#">SCE-KBS</a>	Keyboard Shelf	•	•	•	•	•	•		

Qty. 1 Included

# WORK STATION ACCESSORIES

## PULLOUT SHELF

Catalog No.	Height (A)	Width (B)	Depth (C)	Used in Enclosure Depth	Product Code
<a href="#">SCE-20POS</a>	2.00	19.50	20.00	24.25	C2
<a href="#">SCE-22POS</a>	2.00	21.25	22.00	26.00	C2
<a href="#">SCE-26POS</a>	2.00	19.50	28.00	32.25	C2

Pullout shelves are designed to allow easy access to the back of equipment. Extends 19" and mounts between the mounting channels provided inside the work station. Slides are included with shelf. Made of heavy gauge steel and powder coated white. Mounting hardware is included.



## VENTED PULLOUT SHELF

Catalog No.	Height (A)	Width (B)	Depth (C)	Used in Enclosure Depth	Product Code
<a href="#">SCE-22VEPOS</a>	2.00	21.25	22.00	26.00	C2

Vented pullout shelves are designed to allow easy access to the back of equipment and to allow air circulation inside the work station. Extends 19" and mounts between the mounting channels provided inside the work station. Slides are included with the shelf. Made of heavy gauge steel and powder coated white. Mounting hardware is included.



## STATIONARY SHELF

Catalog No.	Height (A)	Width (B)	Depth (C)	Used in Enclosure Depth	Product Code
<a href="#">SCE-20STS</a>	2.00	22.00	20.00	24.25	C2
<a href="#">SCE-22STS</a>	2.00	23.75	22.00	26.00	C2
<a href="#">SCE-26STS</a>	2.00	22.00	28.00	32.25	C2

Designed to support monitors, PCs, printers or any other equipment. Mounts between the mounting channels provided inside the work station. Made of heavy gauge steel and powder coated white. Mounting hardware is included.



## VENTED STATIONARY SHELF

Catalog No.	Height (A)	Width (B)	Depth (C)	Used in Enclosure Depth	Product Code
<a href="#">SCE-20VESTS</a>	2.00	22.00	20.00	24.25	C2
<a href="#">SCE-22VESTS</a>	2.00	23.75	22.00	26.00	C2
<a href="#">SCE-26VESTS</a>	2.00	22.00	28.00	32.25	C2

Designed to support monitors, PCs, printers or any other equipment while allowing air circulation inside the work station. Mounts between the mounting channels provided inside the work station. Made of heavy gauge steel and powder coated white. Mounting hardware is included.



## MONITOR SHELF NON-VENTED & VENTED

Catalog No.	Description	Height (A)	Width (B)	Depth (C)	Product Code
<a href="#">SCE-8STS</a>	Non-Vented	1.50	23.75	8.00	C2
<a href="#">SCE-8VESTS</a>	Vented	1.50	23.75	8.00	C2

Designed to support the monitor or other components in the upper section of the work station. Vented shelf allows air circulation inside the work station. Made of heavy gauge steel and powder coated white. Mounting hardware is included.



# WORK STATION ACCESSORIES

## MONITOR MOUNTING SYSTEM

Catalog No.	Product Code
<a href="#">SCE-STMMK</a>	C2

[SCE-STMMK](#)

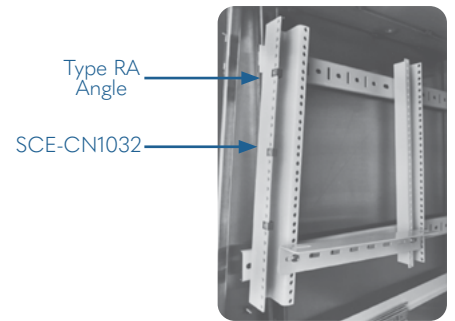
Designed for direct mounting of a flat screen monitor to the Work Station window door. Can be used with Standard Work Station or Slope Top Workstation. Made of steel and powder coated black texture. Mounting hardware is included.



## RACK MOUNTING ANGLE (TYPE RA) - "U-SHAPE"

Catalog No.	Length	Mounting Location	Qty Per Kit	Product Code
<a href="#">SCE-60RA19WS</a>	19.25	Top	2	C2
<a href="#">SCE-60RA24WS</a>	28.00	Bottom	2	C2

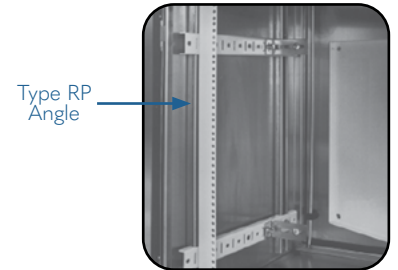
Designed for mounting 19" rack mount equipment. Order clip nut package (CN1032) to provide tapped holes. Made of heavy gauge steel and powder coated white. Mounting hardware is included.



## RACK MOUNTING ANGLE (TYPE RP) - "L-SHAPE"

Catalog No.	Length	Mounting Location	Qty Per Kit	Product Code
<a href="#">SCE-60RP19WS</a>	19.25	Top	2	C2
<a href="#">SCE-60RP24F6</a>	26.25	Bottom	2	P2

Designed for mounting 19" rack mount equipment. Order clip nut package (SCE-CN1032) to provide tapped holes. Made of heavy gauge steel and powder coated white. Mounting hardware is included.



## PENCIL EDGE/PALM REST

Catalog No.	Height (A)	Width (B)	Depth (C)	Product Code
<a href="#">SCE-STWSPL</a>	0.56	26.00	2.00	C2
<a href="#">SCE-STWSPLSS</a>	0.56	23.00	2.00	C2

Designed as a palm rest or retainer for the keyboard surface of the work station. Made of heavy gauge steel and powder coated white. "SS" part made of Type 304 stainless steel with #4 brushed finish. Mounting hardware is included.





# WORK STATION ACCESSORIES

## PANEL SUPPORT

Catalog No.	Height (A)	Width (B)	Depth (C)	Depth (D)	Qty Per Kit	Product Code
<a href="#">SCE-PSK24</a>	2.00	0.50	21.00	24.25	4	C2
<a href="#">SCE-PSK32</a>	2.00	0.50	29.00	32.25	4	C2

Panel supports can be installed horizontally to the left and right side of enclosure. Allows easy installation of optional panels or (RA) and (RP) type rack mounting angles to make them adjustable from front to back of the enclosure. Made of heavy gauge steel and powder coated white finish. Mounting hardware is included.



## SIDE MOUNT PLATE

Catalog No.	Height (A)	Width (B)	Used in Enclosure Depth	Product Code
<a href="#">SCE-60P24WS</a>	12.00	17.50	24.25	C2
<a href="#">SCE-60P32WS</a>	12.00	25.50	32.25	C2

Designed to provide extra mounting space on the sides of the enclosure. Can be securely attached to the mounting channels. Mounting hardware is included. Made of heavy gauge steel and powder coated white.



## CLAMPING NUTS

Catalog No.	Qty Per Kit	Product Code
<a href="#">SCE-CN1032</a>	20	P2

Clamping nuts with a #10-32 retained nut will fit all rack mounting angles and rack mounting frames, to provide tapped holes. Nuts are zinc plated.



# WORK STATION ACCESSORIES

## INDIVIDUAL PANEL SUPPORTS

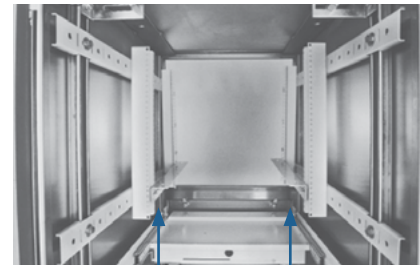
Catalog No.	Notes	Product Code
<a href="#">SCE-FSPS4</a>	Set of 4	P2
<a href="#">SCE-FSPS6</a>	Set of 6	P2
<a href="#">SCE-FSPS8</a>	Set of 8	P2

Individual Panel Supports are available for mounting sub-panels. Packaged in sets with all mounting hardware included. Made of heavy gauge steel and plated.



Catalog No.	Height (A)	Width (B)	Depth (C)	Qty Per Kit	Product Code
<a href="#">SCE-SB18</a>	2.00	2.00	15.00	2	C2

Equipment support brackets help support rack mounted equipment during installation. The support mounts between two pair of type (RA) rack mounting angles. Slotted holes are provided to allow adjustment. Made of heavy gauge steel and powder coated white. Mounting hardware is included.



Brackets

Catalog No.	Description	Qty Per Kit	Product Code
<a href="#">SCE-PS3816CN</a>	3/8 - 16 Strut Nut	20	P2
<a href="#">SCE-PS1420CN</a>	1/4 - 20 Strut Nut	20	P2

Designed to allow mounting of additional equipment to side channels. Zinc plated.



SCE-PS1420CN



SCE-PS3816CN

Catalog No.	Thread Size	Height	Qty Per Kit	Product Code
<a href="#">SCE-LPD2</a>	3/8 - 16	2.00	4	P2

Designed to attach to the bottom of the enclosure in the existing threaded holes. Allows for adjustments for uneven floors. Pads are zinc plated with a plastic base. Mounting hardware is included.



# WORK STATION ACCESSORIES

## BLANK TOP DOOR

Catalog No.	Height (A)	Width (B)	Finish	Product Code
<a href="#">SCE-STWBTD</a>	21.50	25.63	White	C2
<a href="#">SCE-STWSSBTD</a>	21.50	25.63	Stainless Steel	C2
<a href="#">SCE-WSBTD</a>	23.60	23.86	RAL 7035 Gray	C2
<a href="#">SCE-WSSBTD</a>	26.59	23.88	Stainless Steel	C2

Designed to replace the top door when cutouts are desired. Pour in place oil and water resistant gasket. Installed by removing hinge pin. Black quarter turn latches. Made of heavy gauge steel and powder coated. "SS" door is made of Type 304 stainless steel with #4 brushed finish. Mounting hardware is included.



Catalog No.	Height (A)	Width (B)	Depth (C)	Finish	Product Code
<a href="#">SCE-PE22</a>	21.38	8.00	8.00	RAL 7035 Gray	C2
<a href="#">SCE-PE22SS</a>	21.38	8.00	8.00	Stainless Steel	C2

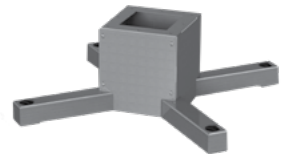
Designed to allow desktop work stations to be floor-mounted. Gasket and hardware provided to attach to work station. Made of heavy gauge steel and powder coated RAL 7035 gray. "SS" pedestal is made of Type 304 stainless steel.



## PEDESTAL BASE

Catalog No.	Height (A)	Width (B)	Depth (C)	Finish	Product Code
<a href="#">SCE-24PEBASE</a>	10.00	24.00	24.00	RAL 7035 Gray	C2
<a href="#">SCE-24PEBASESS</a>	10.00	24.00	24.00	Stainless Steel	C2

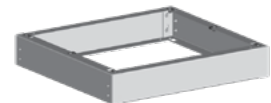
Designed to mount pedestal to the floor. Made of heavy gauge steel and powder coated RAL 7035 gray. "SS" base is made of Type 304 stainless steel. Mounting hardware is included.



## WORK STATION PLINTH BASE

Catalog No.	Height (A)	Width (B)	Depth (C)	Product Code
<a href="#">SCE-P2424WS</a>	4.00	24.25	24.25	P2
<a href="#">SCE-P2432WS</a>	4.00	32.25	24.25	P2
<a href="#">SCE-P2626WS</a>	4.00	26.00	26.00	P2
<b>Stainless Steel</b>				
<a href="#">SCE-P2424SSWS</a>	4.00	24.25	24.25	P2
<a href="#">SCE-P2432SSWS</a>	4.00	32.25	24.25	P2
<a href="#">SCE-P2626SSWS</a>	4.00	26.00	26.00	P2

Designed to install under an enclosure to provide space for cables to enter from below and raise the enclosure up off the floor. Plinth bases are stackable to acquire desired height off the floor. Made of heavy gauge steel and finished with black textured powder coat. "SS" parts are made of type 304 stainless steel with #4 brushed finish.



## KEYBOARD HOUSING

Catalog No.	Height (A)	Width (B)	Depth (C)	Product Code
<a href="#">SCE-KBH</a>	7.00	21.90	22.38	C2

Provides protection from dust, dirt, oil and water for interior components when keyboard drawer is open. Mounts to mounting channels. Keyboard shelf with slides is mounted inside the housing. Hole grommet in rear provided for cords. Powder coated white. Mounting hardware is included.



## CONTROL COMPARTMENT

Catalog No.	Height (A)	Width (B)	Depth (C)	Finish	Product Code
<a href="#">SCE-WSCC</a>	8.00	24.25	14.50	RAL 7035 Gray	C2
<a href="#">SCE-WSCCSS</a>	8.00	24.25	14.50	Stainless Steel	C2

Designed to be mounted to the front of the work station when installation of pushbuttons or control panels is desired. Installed after removing the pullout keyboard drawer and door. Can be installed with the flat or sloped surface facing up. 20 degree slope on sloped surface. Gasket and mounting hardware included. Made of heavy gauge steel and powder coated RAL 7035 gray. "SS" part is made of Type 304 stainless steel with #4 brushed finish.



## PULLOUT KEYBOARD DRAWER

Catalog No.	Height (A)	Width (B)	Depth (C)	Used in Enclosure Depth	Product Code
<a href="#">SCE-KBS</a>	3.00	20.00	14.00	24.25	P2
<a href="#">SCE-KBS32</a>	3.00	20.00	14.00	32.25	P2

Designed to hold a keyboard and mouse on a separate pullout shelf. Mounts between mounting channels. Made of heavy gauge steel with a white powder coat finish. A mouse pad is included. Drawer is included with work station. Mounting hardware is included.





*Your Enclosure Source*®

# NOTES

# HMI ENCLOSURES & ACCESSORIES

## Application

Designed to house Human-Machine Interfaces (HMI) and electrical and electronic controls, instruments and components. Provides a degree of protection from dust, oil and water.

## Construction

- 0.075" carbon steel.
- Seams continuously welded and ground smooth.
- Reinforced with mounting provisions for suspension or pedestal mounting.
- Concealed hinge access door with provisions for sub-panel.
- Removable front cover for easy installation of cutouts, HMI and components.
- Pour in place oil and water resistant gasket.
- Black quarter turn latches.
- Latches are opened or closed with a screwdriver.
- Ground studs on door and body.

## Options

Optional tamper-resistant inserts or padlocking handles are available.

## Finish

RAL 7035 gray powder coated inside and out. Optional sub-panels are powder coated white.

## IS4 Industry Standards

NEMA Type 3R, 4, 12 & Type 13

UL Listed Type 3R, 4 & 12

CSA Type 3R, 4 & 12

IEC 60529 IP66

\*\*\*To maintain Type 3R listing, drainage is required. Install equally rated drainage device or drill a 1/8 to 1/4 inch hole in the bottom center of the enclosure, approximately 1 inch from the right, and 1 inch from the left for drainage, use listed rain-tight or wet location hubs. Drip shield over the door is recommended for all outdoor applications.



## HMI ENCLOSURES

Enclosure Product Code C2

Sub-Panel (P3)

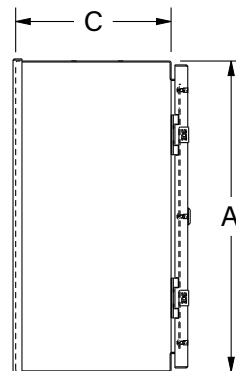
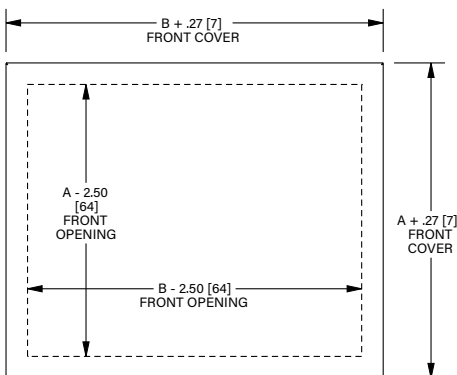
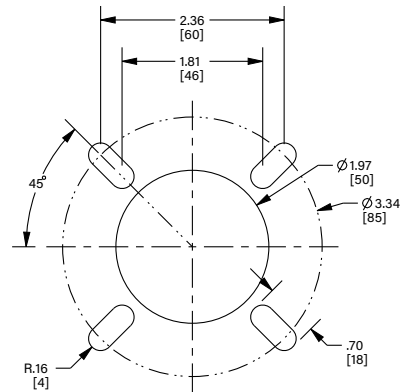
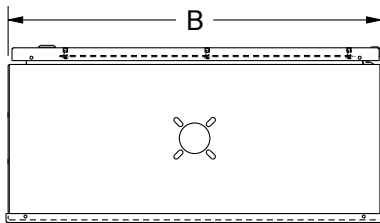
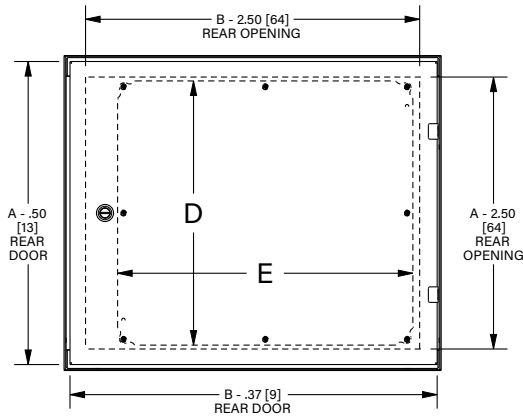
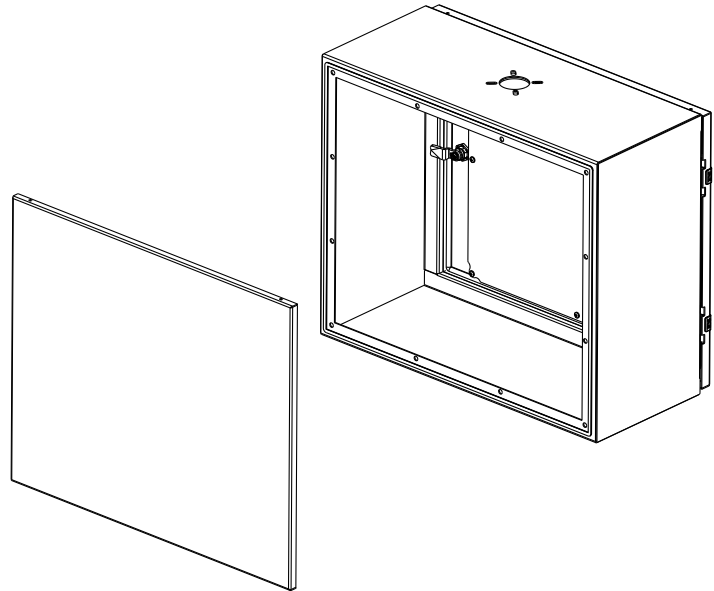
Catalog No.	Height (A)	Width (B)	Depth (C)	Industry Standard	Catalog No.	Panel Height (D)	Panel Width (E)
<a href="#">SCE-12HMI1606LP</a>	12.00	16.00	6.00	IS4	<a href="#">SCE-12P10</a>	11.00	9.00
<a href="#">SCE-12HMI1610LP</a>	12.00	16.00	10.00	IS4	<a href="#">SCE-12P10</a>	11.00	9.00
<a href="#">SCE-14HMI1806LP</a>	14.00	18.00	6.00	IS4	<a href="#">SCE-14P12</a>	13.00	11.00
<a href="#">SCE-14HMI1810LP</a>	14.00	18.00	10.00	IS4	<a href="#">SCE-14P12</a>	13.00	11.00
<a href="#">SCE-16HMI2006LP</a>	16.00	20.00	6.00	IS4	<a href="#">SCE-16P14</a>	15.00	13.00
<a href="#">SCE-16HMI2010LP</a>	16.00	20.00	10.00	IS4	<a href="#">SCE-16P14</a>	15.00	13.00
<a href="#">SCE-20HMI2406LP</a>	20.00	24.00	6.00	IS4	<a href="#">SCE-20P18HMI</a>	19.00	17.00
<a href="#">SCE-20HMI2410LP</a>	20.00	24.00	10.00	IS4	<a href="#">SCE-20P18HMI</a>	19.00	17.00

For Reference View



# HMI ENCLOSURES

## TECHNICAL DATA

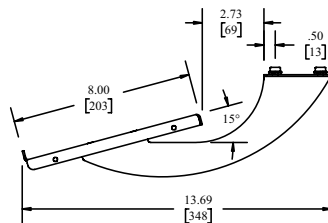
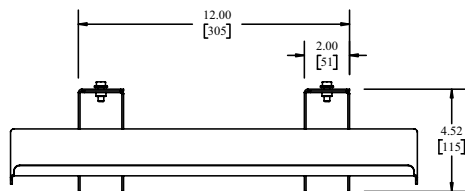
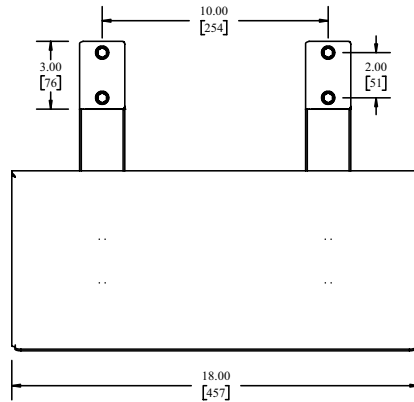


# HMI ACCESSORIES

## HMI KEYBOARD SHELF

Catalog No.	Height (A)	Width (B)	Depth (C)	Finish	Product Code
<a href="#">SCE-HMIKBS</a>	4.52	18.00	13.69	Black Texture	P2
<a href="#">SCE-HMIKBSSS</a>	4.52	18.00	13.69	Stainless Steel	P2

Designed for use on HMI enclosures. Mounting hardware is included.





**HMI PULL HANDLE**

Catalog No.	Height (A)	Width (B)	Depth (C)	Qty Per Kit	Product Code
<a href="#">SCE-HMIPH5</a>	5.28	2.57	2.84	1	P2
<a href="#">SCE-AUHK</a>	12.00	4.27	3.15	1	P2

Designed for use on HMI enclosures. Handle is a steel tube plastic coated black with black molded polyamide plastic end stays. Mounting hardware is included.



SCE-HMIPH5



SCE-AUHK

**HMI COVER PLATE**

Catalog No.	Height (A)	Width (B)	Depth (C)	Qty Per Kit	Product Code
<a href="#">SCE-HMICP</a>	3.50	3.50	0.08	1	P2

Gasketed cover plate for use on HMI enclosures when mounting cutout is not needed. Made of heavy gauge steel and powder coated RAL 7035 Gray.



# SUSPENSION SYSTEMS

## POSSIBLE SYSTEM CONFIGURATIONS

### Application

Designed for use with the SCE HMI enclosures, allows operators to easily move or position an HMI to an ergonomic and comfortable working position. Heavy duty and reliable construction. Suspension Systems can be assembled in a multitude of configurations that allow for machine mount, wall-mount, top-mount, and floor-mount options. For installation instructions consult our installation manual at [www.saginawcontrol.com](http://www.saginawcontrol.com).

### Construction

- Cast aluminum couplings.
- Extruded aluminum tubes (6060T66).
- Rotating couplings have adjustable tensioner brakes to control movement while in use.
- Open or closed tube design.
- Open tube allows for easy access to lay in wiring, with easy to install push fit rubber cover.
- Closed tube acts as conduit for feeding wiring.
- Rigid, durable bearing in all rotating couplings withstand the stress of continuous use.
- Removable access covers on all couplings with 90 degree turn.
- Hardware and gasket included for installation of coupling to tube.

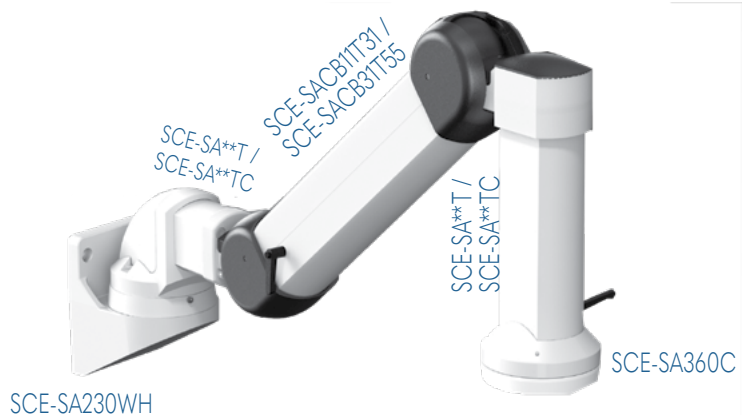
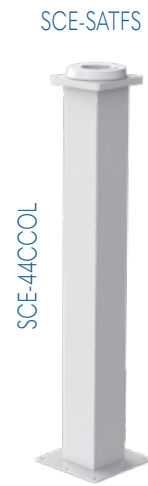
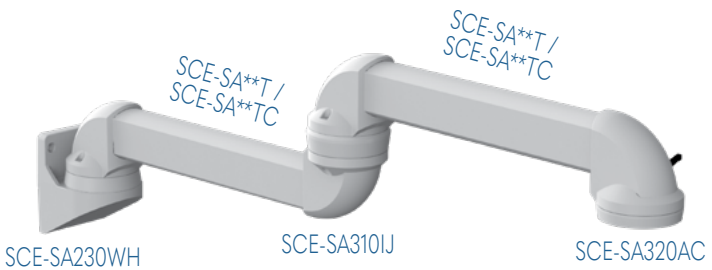
### Finish

RAL 7035 powder coated finish.

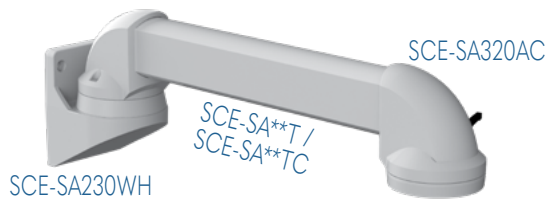
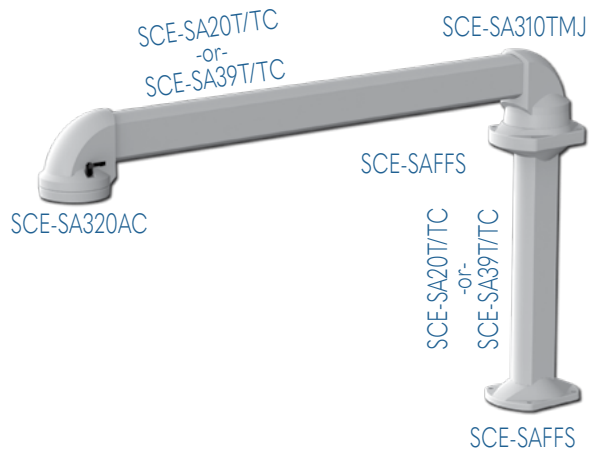
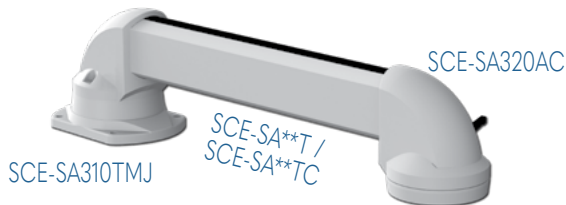
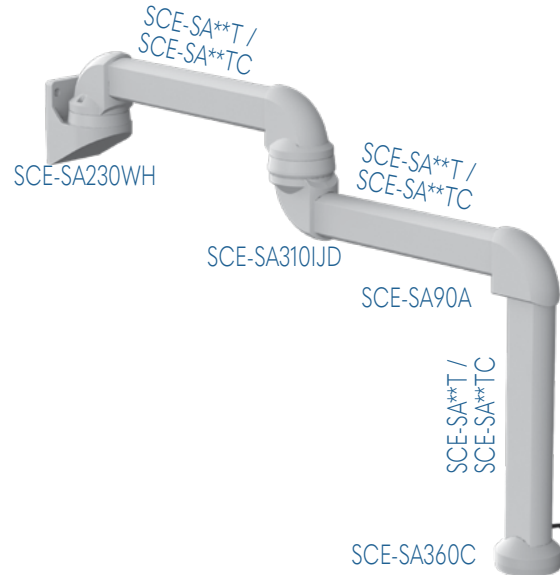
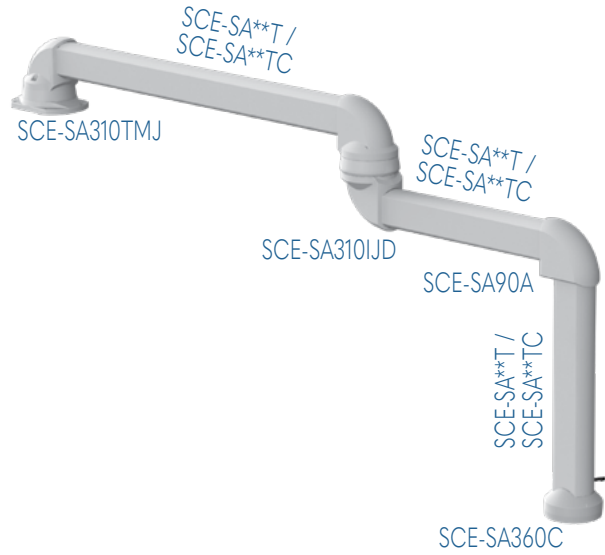
For further information on individual components see pages 420-427

### Industry Standards

NEMA Type 12  
IEC 60529 IP55



**POSSIBLE SYSTEM CONFIGURATIONS**



# COUNTER BALANCE ARMS

## Application

Designed for use with the SCE HMI enclosures, allows operators to easily move or position an HMI to an ergonomic and comfortable working height. Made of heavy-duty, reliable construction. Counter Balance Systems can be assembled as a wall-mount or top-mount.

## Construction

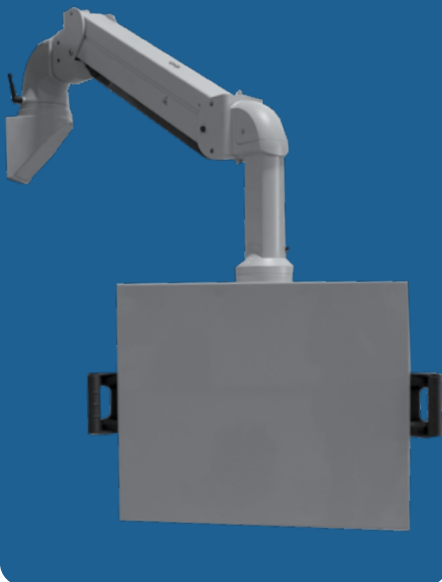
- Cast aluminum couplings.
- Extruded aluminum tubes (6060T66).
- Push button locking mechanism holds the arm at height that suits the operator.
- Rotating couplings have adjustable tensioner brakes to control movement while in use.
- Ridgid, durable bearing in all rotating couplings withstand the stress of continuous use.
- Closed tube design.
- Removable access covers on all couplings with 90 degree turn.
- Hardware and gasket included for installation of coupling to tube.
- Range of vertical movement 36.86 inches.

## Finish

RAL 7035 powder coated finish.

## Industry Standards

NEMA Type 12  
IEC 60529 IP55

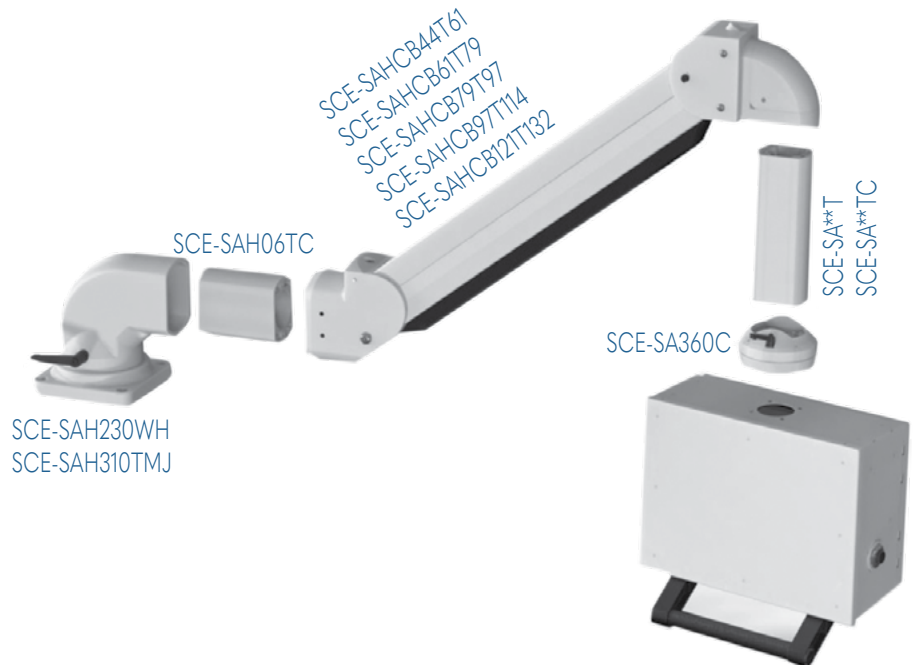


Enclosure Product Code C3

Catalog No.	Description	Height (A)	Width (B)	Depth (C)	Load Capacity	Industry Standard
<a href="#">SCE-SAH230WH</a>	Wall Hinge, 230 Swivel	16.34	6.97	9.45		IS17
<a href="#">SCE-SAH310TMJ</a>	Top-Mount Swivel	9.34	6.97	9.453		IS17
<a href="#">SCE-SAH06TC</a>	Heavy Duty Closed Tube Suspension Profile	6.00	5.00	3.00		IS17
<a href="#">SCE-SAHCB44T61</a>	Counter Balance Arm	8.12	6.97	40.67	44-61 lbs	IS17
<a href="#">SCE-SAHCB61T79</a>	Counter Balance Arm	8.12	6.97	40.67	61-79 lbs	IS17
<a href="#">SCE-SAHCB79T97</a>	Counter Balance Arm	8.12	6.97	40.67	79-97 lbs	IS17
<a href="#">SCE-SAHCB97T114</a>	Counter Balance Arm	8.12	6.97	40.67	97-114 lbs	IS17
<a href="#">SCE-SAHCB121T132</a>	Counter Balance Arm	8.12	6.97	40.67	121-132 lbs	IS17

## COMPONENTS

Catalog No.	Description	Height (A)	Width (B)	Depth (C)	Product Code
<a href="#">SCE-SA45IA</a>	Inclining Adapter 45 degree	4.33	9.29	6.38	C3
<a href="#">SCE-SAS360C</a>	Coupling 360 Swivel	3.19	5.12	5.12	C3
<a href="#">SCE-SA39TC</a>	Closed Tube Suspension Profile	39.37	2.56	3.54	C3
<a href="#">SCE-SA20TC</a>	Closed Tube Suspension Profile	19.69	2.56	3.54	C3
<a href="#">SCE-SA39T</a>	Open Tube Suspension Profile	39.37	2.56	3.54	C3
<a href="#">SCE-SA20T</a>	Open Tube Suspension Profile	19.69	2.56	3.54	C3
<a href="#">SCE-SA08TC</a>	Closed Tube Suspension Profile	7.87	2.56	3.54	C3
<a href="#">SCE-SA30TC</a>	Closed Tube Suspension Profile	29.53	2.56	3.54	C3

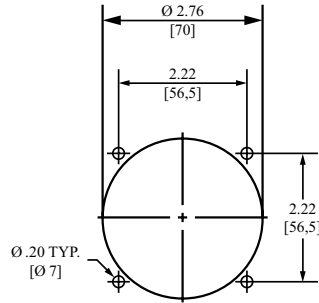


# SUSPENSION SYSTEM TECHNICAL DATA

## SCE-SA360C



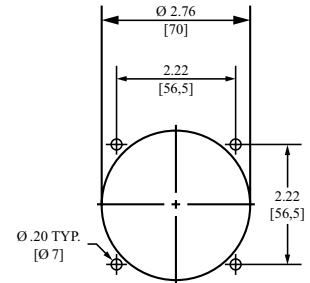
ENCLOSURE MOUNTING HOLE PATTERN



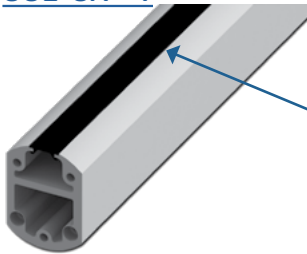
## SCE-SA451A



ENCLOSURE MOUNTING HOLE PATTERN



## SCE-SA\*\*T



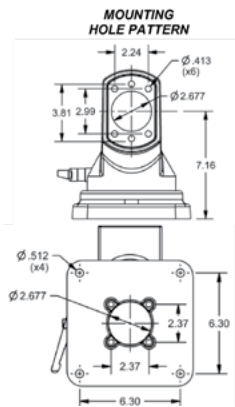
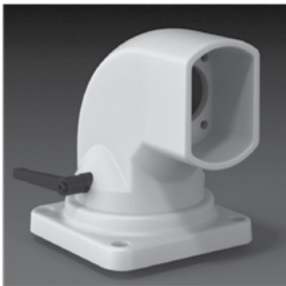
Removable Push Fit Rubber Cover

## SCE-SA\*\*TC

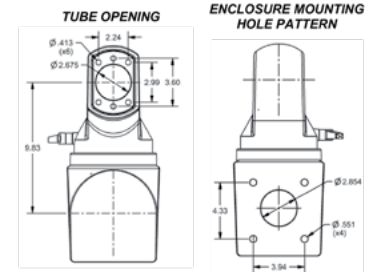


M8 Threaded holes (x4)

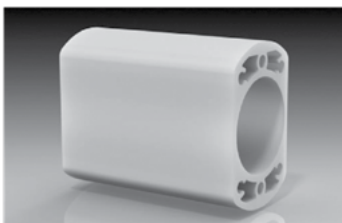
## SCE-SAH310TMJ



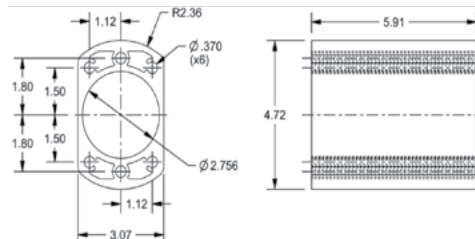
## SCE-SAH230WH



## SCE-SAH06TC



BASE MOUNTING HOLE PATTERN



# WALL-MOUNT ENCLOSURES



56-69



70-73



74-79



80-85



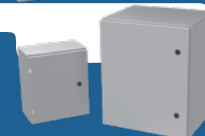
86-87



88-89



90-95



96-97



98-100



102-103



104-105



106-109



110-111



112-113



114-115



116-117



118-119



120-125



# 30.5MM PUSHBUTTON ENCLOSURES

## Application

Designed to offer protection for oil-tight pushbuttons, switches, and pilot lights from dust, water, dirt and oil. For installation information, consult our installation manual at [www.saginawcontrol.com](http://www.saginawcontrol.com).

## Construction

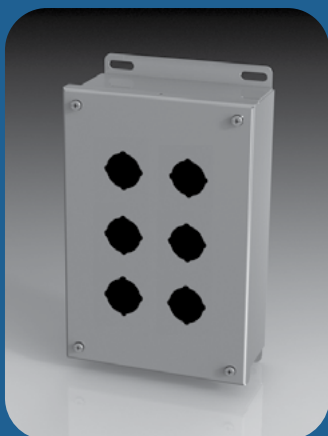
- 0.063" carbon steel.
- Continuously welded seams.
- Captivated cover screws thread into sealed wells.
- Four-way pushbutton holes accept all brands of oil-tight pushbuttons, switches and pilot lights. Hole diameter is 1.20" (30.5 mm).
- Immediate removal of cover is permitted.
- Pour in place oil and water resistant gasket.
- Welded mounting provision top and bottom of back.

## Finish

ANSI-61 gray powder coated inside and out.

## IS2 Industry Standards

NEMA Type 4, 12 & Type 13  
 UL Listed Type 4 & 12  
 CSA Type 4 & 12  
 IEC 60529 IP66



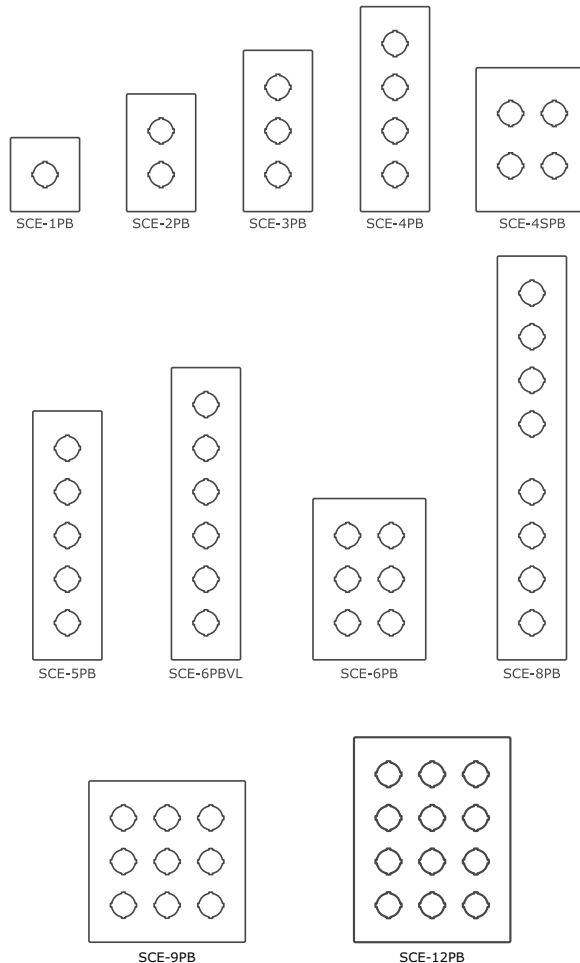
56

Enclosure Product Code A1

Catalog No.	Height (A)	Width (B)	Depth (C)	Industry Standard
<a href="#">SCE-1PB</a>	3.50	3.25	2.75	IS2
<a href="#">SCE-2PB</a>	5.75	3.25	2.75	IS2
<a href="#">SCE-3PB</a>	8.00	3.25	2.75	IS2
<a href="#">SCE-4PB</a>	10.25	3.25	2.75	IS2
<a href="#">SCE-4SPB</a>	7.25	6.25	3.00	IS2
<a href="#">SCE-5PB</a>	12.50	3.25	2.75	IS2
<a href="#">SCE-6PB</a>	9.50	6.25	3.00	IS2
<a href="#">SCE-6PBVL</a>	14.75	3.25	2.75	IS2
<a href="#">SCE-8PB</a>	20.25	3.25	2.75	IS2
<a href="#">SCE-9PB</a>	9.50	8.50	3.00	IS2
<a href="#">SCE-12PB</a>	11.75	8.50	3.00	IS2

## SAFETY YELLOW

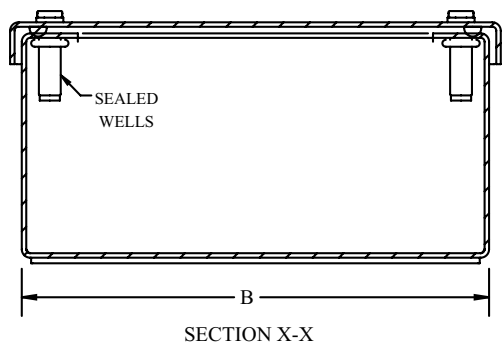
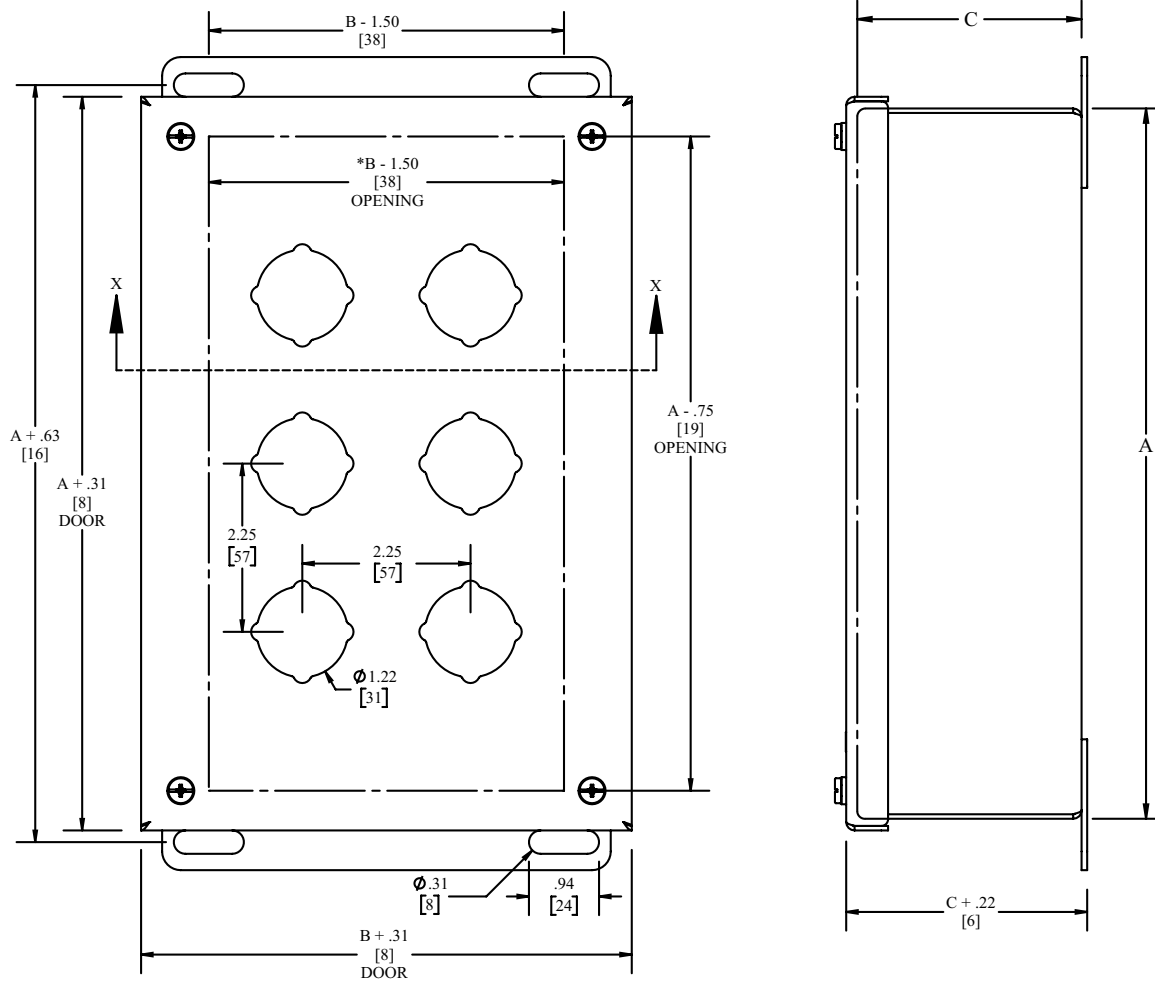
Catalog No.	Height (A)	Width (B)	Depth (C)	Industry Standard
<a href="#">SCE-1PB-RAL1018</a>	3.50	3.25	2.75	IS2
<a href="#">SCE-2PB-RAL1018</a>	5.75	3.25	2.75	IS2
<a href="#">SCE-3PB-RAL1018</a>	8.00	3.25	2.75	IS2
<a href="#">SCE-4PB-RAL1018</a>	10.25	3.25	2.75	IS2
<a href="#">SCE-5PB-RAL1018</a>	12.50	3.25	2.75	IS2





# 30.5MM PUSHBUTTON ENCLOSURES

## TECHNICAL DATA



NOTE:  
\*B - .50 [13] WHEN ONE COLUMN OF PUSHBUTTONS

# 22.5MM PUSHBUTTON ENCLOSURES

## Application

Designed to offer protection for oil-tight pushbuttons, switches, and pilot lights from dust, water, dirt and oil. For installation information, consult our installation manual at [www.saginawcontrol.com](http://www.saginawcontrol.com).

## Construction

- 0.063" carbon steel.
- Continuously welded seams.
- Captivated cover screws thread into sealed wells.
- Four-way pushbutton holes accept all brands of oil-tight pushbuttons, switches and pilot lights. Hole diameter is 0.87" (22.5 mm).
- Immediate removal of cover is permitted.
- Pour in place oil and water resistant gasket.
- Welded mounting provision top and bottom of back.

## Finish

ANSI-61 gray powder coated inside and out.

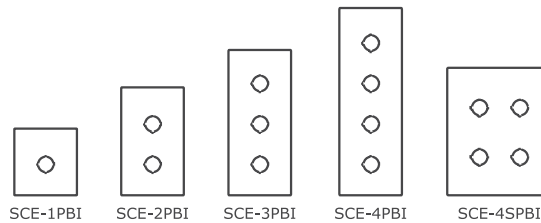
## IS2 Industry Standards

NEMA Type 4, 12 & Type 13  
 UL Listed Type 4 & 12  
 CSA Type 4 & 12  
 IEC 60529 IP66

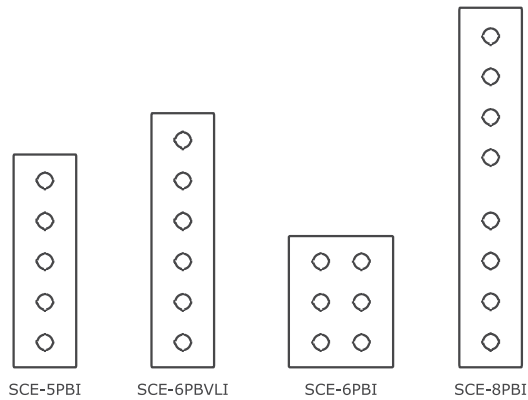


Enclosure Product Code A1

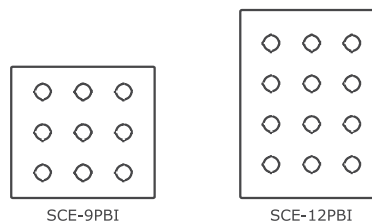
Catalog No.	Height (A)	Width (B)	Depth (C)	Industry Standard
<a href="#">SCE-1PBI</a>	3.50	3.25	2.75	IS2
<a href="#">SCE-2PBI</a>	5.75	3.25	2.75	IS2
<a href="#">SCE-3PBI</a>	8.00	3.25	2.75	IS2
<a href="#">SCE-4PBI</a>	10.25	3.25	2.75	IS2
<a href="#">SCE-4SPBI</a>	7.25	6.25	3.00	IS2
<a href="#">SCE-5PBI</a>	12.50	3.25	2.75	IS2
<a href="#">SCE-6PBI</a>	9.50	6.25	3.00	IS2
<a href="#">SCE-6PBVLI</a>	14.75	3.25	2.75	IS2
<a href="#">SCE-8PBI</a>	20.25	3.25	2.75	IS2
<a href="#">SCE-9PBI</a>	9.50	8.50	3.00	IS2
<a href="#">SCE-12PBI</a>	11.75	8.50	3.00	IS2



SCE-1PBI SCE-2PBI SCE-3PBI SCE-4PBI SCE-4SPBI



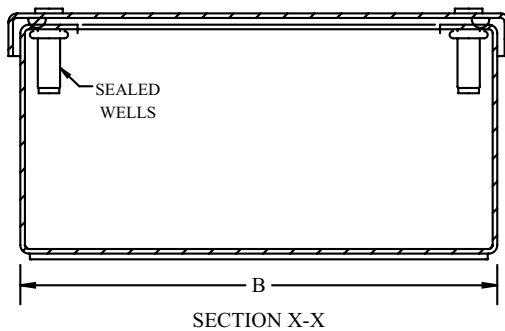
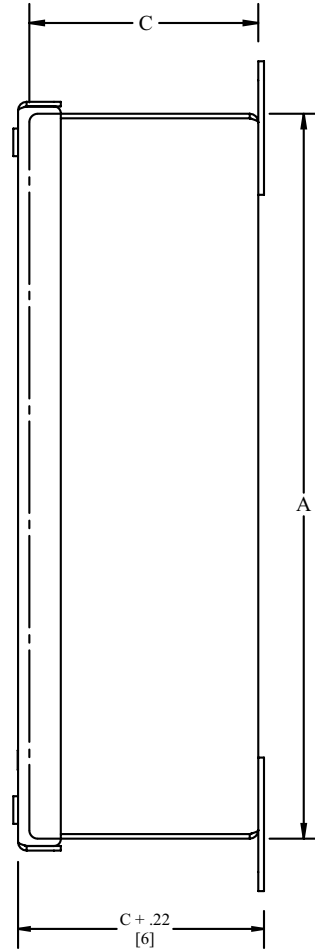
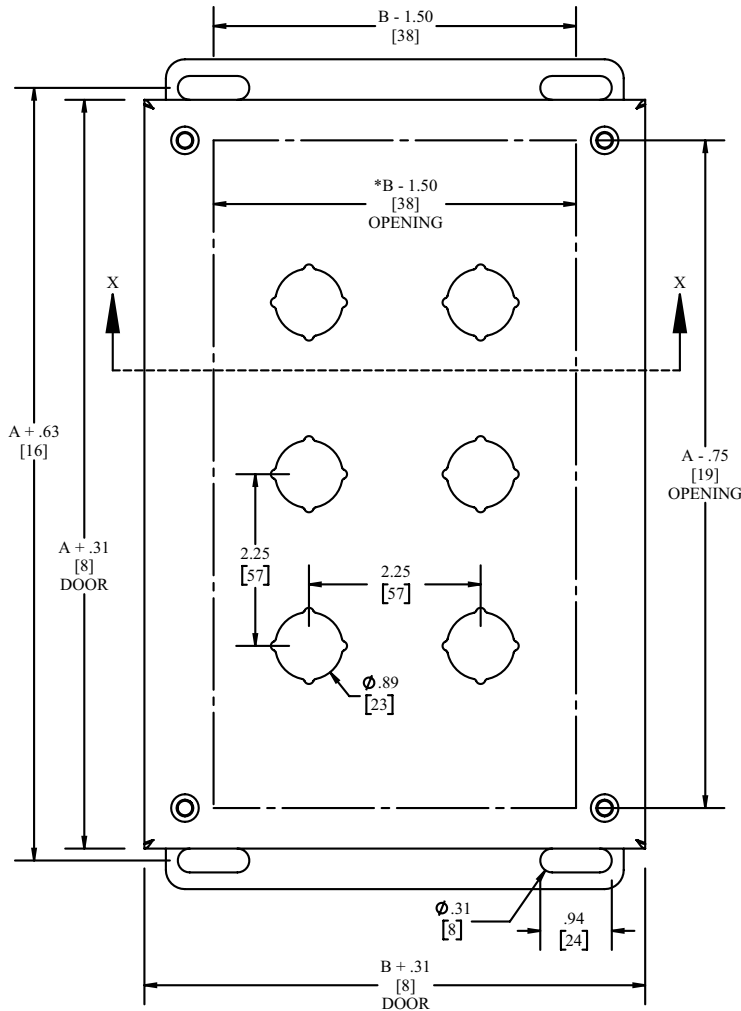
SCE-5PBI SCE-6PBVLI SCE-6PBI SCE-8PBI



SCE-9PBI SCE-12PBI

# 22.5MM PUSHBUTTON ENCLOSURES

## TECHNICAL DATA



NOTE:  
\*B - .50 [13] WHEN ONE COLUMN OF PUSHBUTTONS

# EXTRA DEEP 30.5MM PUSHBUTTON ENCLOSURES

## Application

Designed to offer protection for oil-tight pushbuttons, switches, and pilot lights from dust, water, dirt and oil. For installation information, consult our installation manual at [www.saginawcontrol.com](http://www.saginawcontrol.com).

## Construction

- 0.063" carbon steel.
- Continuously welded seams.
- Captivated cover screws thread into sealed wells.
- Four-way pushbutton holes accept all brands of oil-tight pushbuttons, switches and pilot lights. Hole diameter is 1.20" (30.5 mm).
- Immediate removal of cover is permitted.
- Pour in place oil and water resistant gasket.
- Welded mounting provision top and bottom of back.

## Finish

ANSI-61 gray powder coated inside and out.

## IS2 Industry Standards

NEMA Type 4, 12 & Type 13  
 UL Listed Type 4 & 12  
 CSA Type 4 & 12  
 IEC 60529 IP66



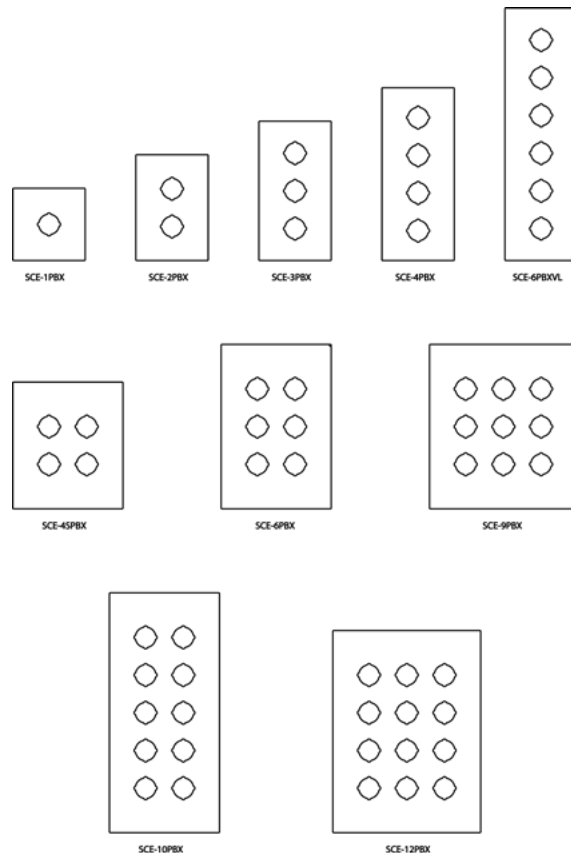
60

Enclosure Product Code A1

Catalog No.	Height (A)	Width (B)	Depth (C)	Industry Standard
<a href="#">SCE-1PBX</a>	4.00	4.00	4.75	IS2
<a href="#">SCE-2PBX</a>	6.00	4.00	4.75	IS2
<a href="#">SCE-3PBX</a>	8.00	4.00	4.75	IS2
<a href="#">SCE-4PBX</a>	10.00	4.00	4.75	IS2
<a href="#">SCE-4SPBX</a>	7.25	6.25	4.75	IS2
<a href="#">SCE-6PBX</a>	9.50	6.25	4.75	IS2
<a href="#">SCE-6PBXVL</a>	14.75	4.00	4.75	IS2
<a href="#">SCE-9PBX</a>	9.50	8.50	4.75	IS2
<a href="#">SCE-10PBX</a>	14.00	6.25	4.75	IS2
<a href="#">SCE-12PBX</a>	11.75	8.50	4.75	IS2

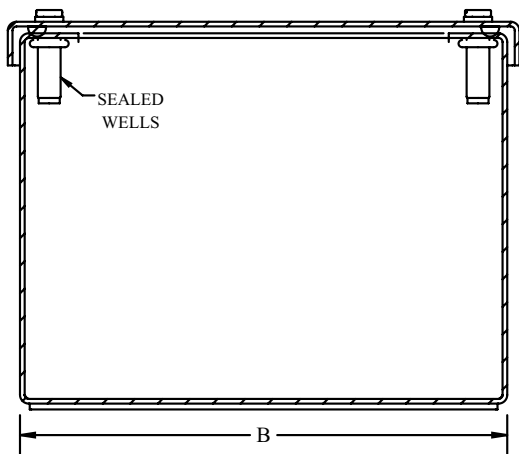
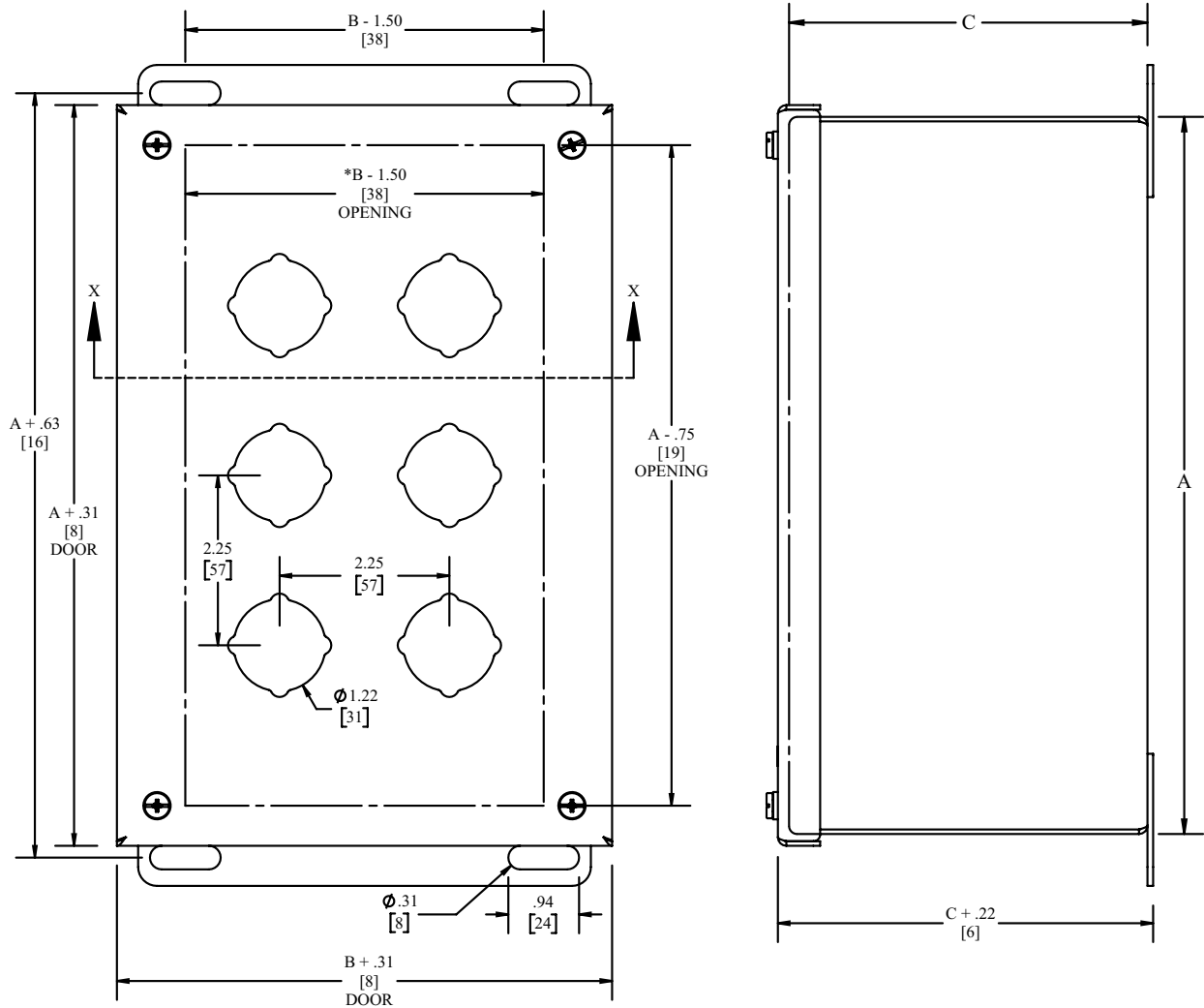
## SAFETY YELLOW

Catalog No.	Height (A)	Width (B)	Depth (C)	Industry Standard
<a href="#">SCE-1PBX-RAL1018</a>	4.00	4.00	4.75	IS2
<a href="#">SCE-2PBX-RAL1018</a>	6.00	4.00	4.75	IS2
<a href="#">SCE-3PBX-RAL1018</a>	8.00	4.00	4.75	IS2
<a href="#">SCE-4PBX-RAL1018</a>	10.00	4.00	4.75	IS2
<a href="#">SCE-4SPBX-RAL1018</a>	7.25	6.25	4.75	IS2
<a href="#">SCE-5PBX-RAL1018</a>	12.00	4.00	4.75	IS2
<a href="#">SCE-6PBX-RAL1018</a>	9.50	6.25	4.75	IS2



# EXTRA DEEP 30.5MM PUSHBUTTON ENCLOSURES

## TECHNICAL DATA



SECTION X-X

NOTE;  
\*B - .50 [13] WHEN ONE COLUMN OF PUSHBUTTONS

# EXTRA DEEP 22.5MM PUSHBUTTON ENCLOSURES

## Application

Designed to offer protection for oil-tight pushbuttons, switches, and pilot lights from dust, water, dirt and oil. For installation information, consult our installation manual at [www.saginawcontrol.com](http://www.saginawcontrol.com).

## Construction

- 0.063" carbon steel.
- Continuously welded seams.
- Captivated cover screws thread into sealed wells.
- Four-way pushbutton holes accept all brands of oil-tight pushbuttons, switches and pilot lights. Hole diameter is 0.87" (22.5 mm).
- Immediate removal of cover is permitted.
- Pour in place oil and water resistant gasket.
- Welded mounting provision top and bottom of back.

## Finish

ANSI-61 gray powder coated inside and out.

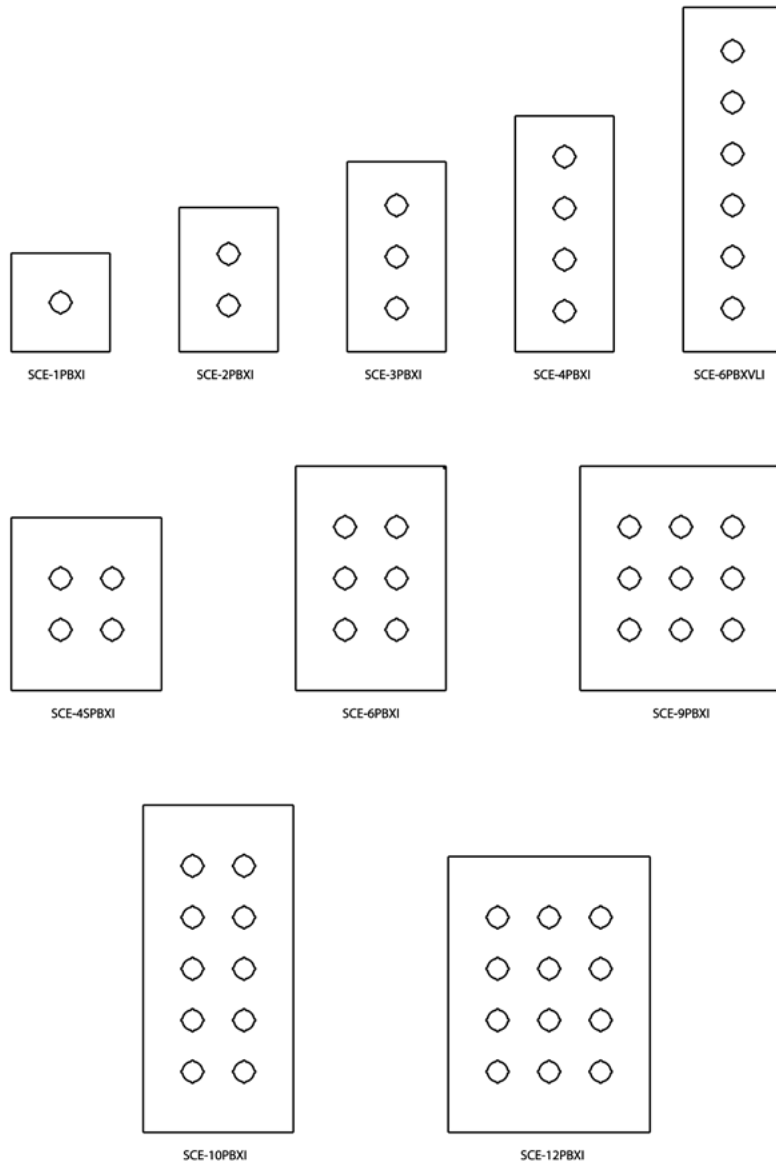
## IS2 Industry Standards

NEMA Type 4, 12 & Type 13  
 UL Listed Type 4 & 12  
 CSA Type 4 & 12  
 IEC 60529 IP66



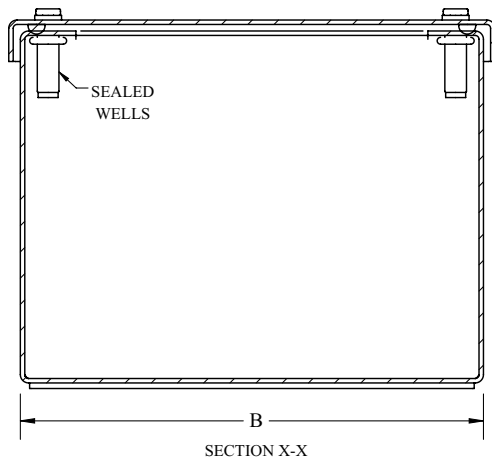
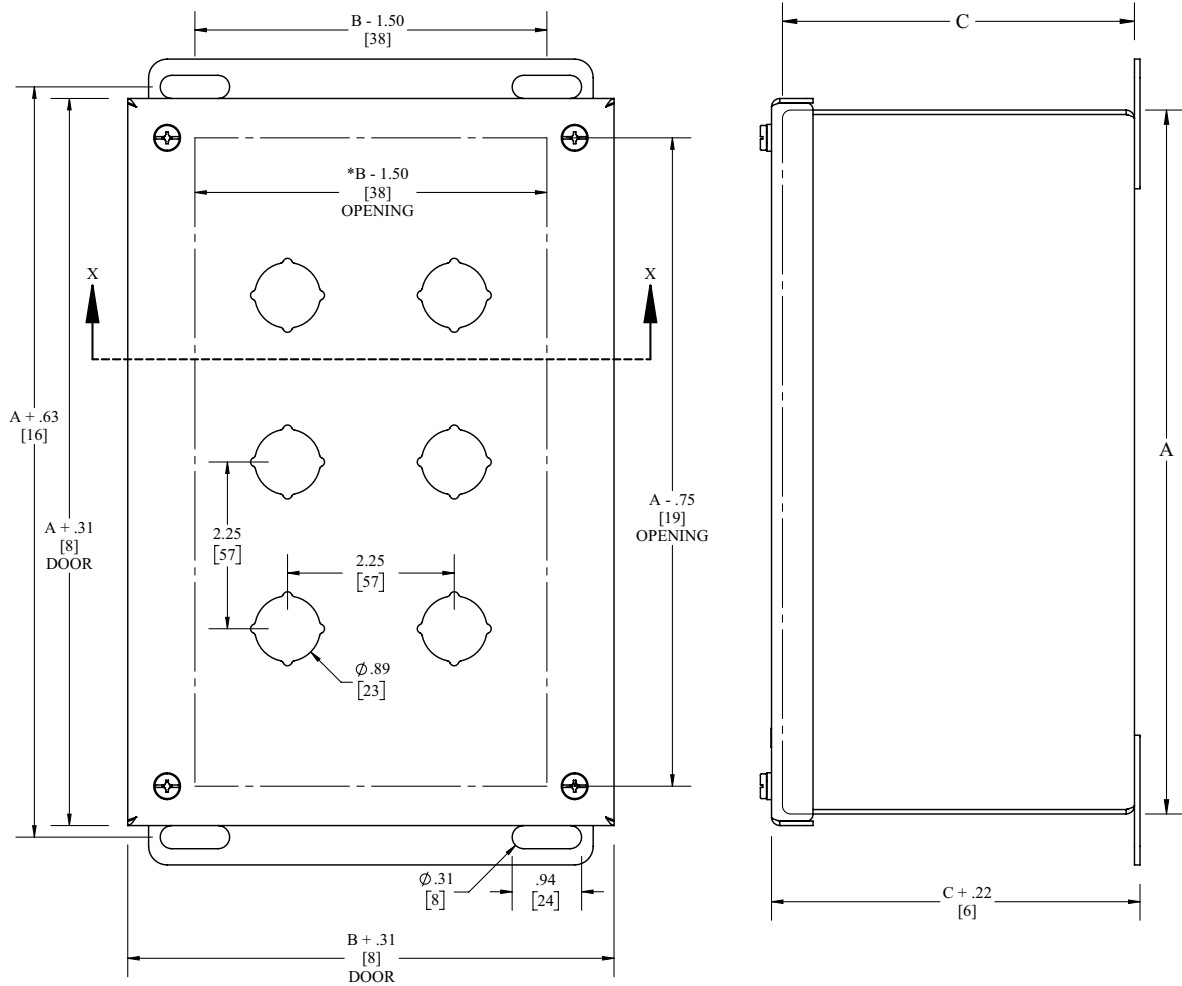
Enclosure Product Code A1

Catalog No.	Height (A)	Width (B)	Depth (C)	Industry Standard
<a href="#">SCE-1PBXI</a>	4.00	4.00	4.75	IS2
<a href="#">SCE-2PBXI</a>	6.00	4.00	4.75	IS2
<a href="#">SCE-3PBXI</a>	8.00	4.00	4.75	IS2
<a href="#">SCE-4PBXI</a>	10.00	4.00	4.75	IS2
<a href="#">SCE-4SPBXI</a>	7.25	6.25	4.75	IS2
<a href="#">SCE-6PBXI</a>	9.50	6.25	4.75	IS2
<a href="#">SCE-6PBXVLI</a>	14.75	4.00	IS2	
<a href="#">SCE-9PBXI</a>	9.50	8.50	4.75	IS2
<a href="#">SCE-10PBXI</a>	14.00	6.25	4.75	IS2
<a href="#">SCE-12PBXI</a>	11.75	8.50	4.75	IS2



# EXTRA DEEP 22.5MM PUSHBUTTON ENCLOSURES

## TECHNICAL DATA



NOTE:  
\*B - .50 [13] WHEN ONE COLUMN OF PUSHBUTTONS

# PUSHBUTTON ENCLOSURES FOR 22.5MM PUSHBUTTONS

## Application

Designed to offer protection for oil-tight pushbuttons, switches, and pilot lights from dust, water, dirt and oil. For installation information, consult our installation manual at [www.saginawcontrol.com](http://www.saginawcontrol.com).

## Construction

- 0.063" carbon steel.
- Continuously welded seams.
- Captivated cover screws thread into sealed wells.
- Four-way pushbutton holes accept all brands of oil-tight pushbuttons, switches and pilot lights. Hole diameter is 0.87" (22.5 mm).
- Immediate removal of cover is permitted.
- Pour in place oil and water resistant gasket.
- Welded mounting provision top and bottom of back.

## Finish

ANSI-61 gray powder coated inside and out.

## IS2 Industry Standards

NEMA Type 4, 12 & Type 13  
 UL Listed Type 4 & 12  
 CSA Type 4 & 12  
 IEC 60529 IP66



Enclosure Product Code A1

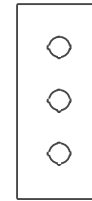
Catalog No.	Height (A)	Width (B)	Depth (C)	Industry Standard
<a href="#">SCE-1PBGX</a>	3.25	3.25	3.50	IS2
<a href="#">SCE-2PBGX</a>	5.13	3.25	3.50	IS2
<a href="#">SCE-3PBGX</a>	7.00	3.25	3.50	IS2
<a href="#">SCE-4PBGX</a>	8.88	3.25	3.50	IS2
<a href="#">SCE-6PBGX</a>	8.50	6.00	4.25	IS2
<a href="#">SCE-9PBGX</a>	8.50	6.50	4.25	IS2
<a href="#">SCE-12PBGX</a>	10.38	6.25	4.25	IS2



SCE-1PBGX



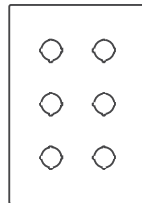
SCE-2PBGX



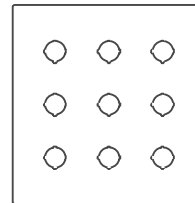
SCE-3PBGX



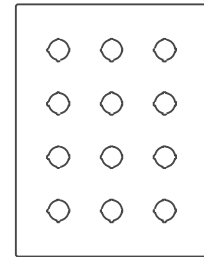
SCE-4PBGX



SCE-6PBGX



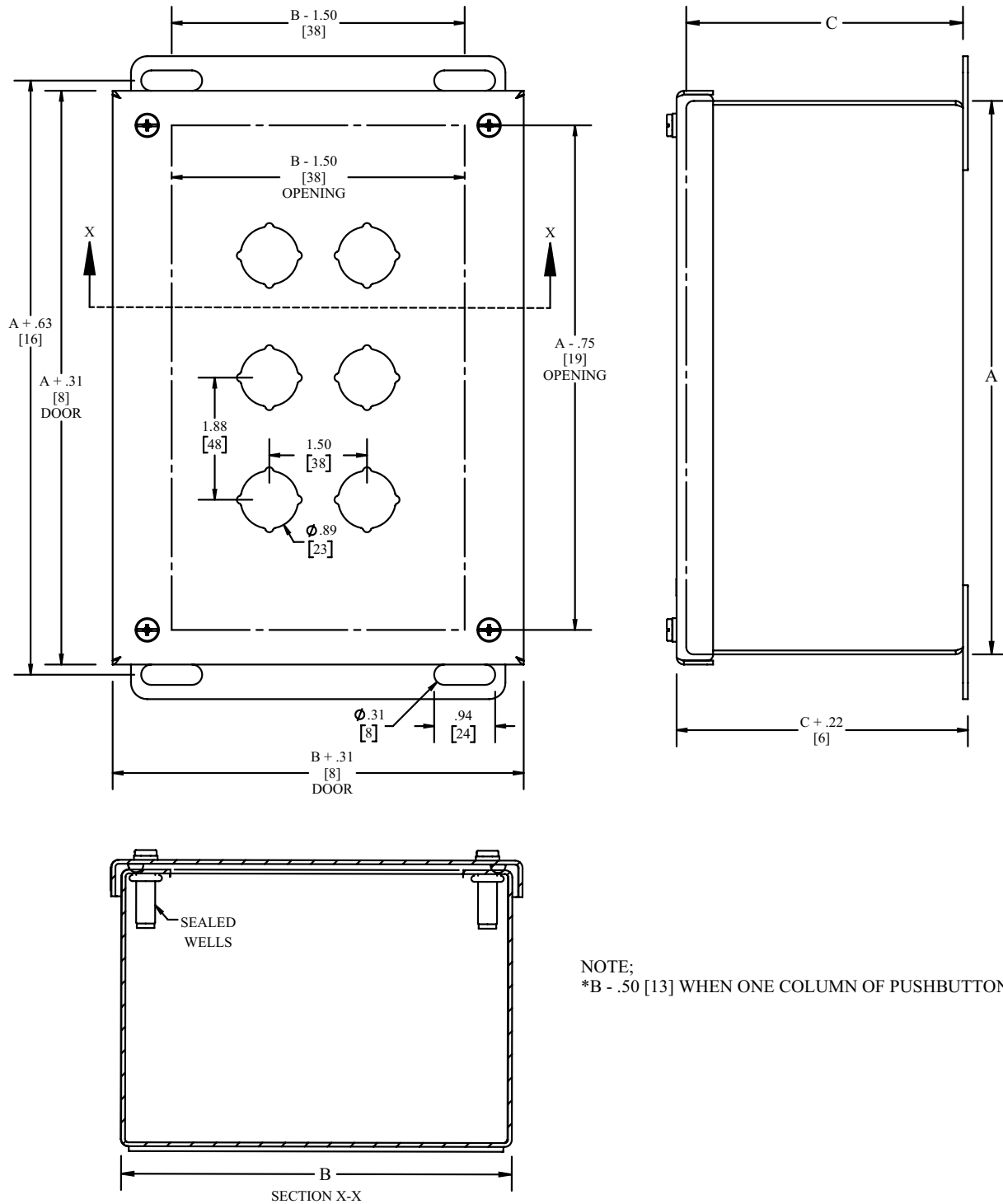
SCE-9PBGX



SCE-12PBGX



# PUSHBUTTON ENCLOSURES FOR 22.5MM PUSHBUTTONS TECHNICAL DATA



NOTE:  
 \*B - .50 [13] WHEN ONE COLUMN OF PUSHBUTTONS

# EXTRA LARGE 30.5MM HINGED PUSHBUTTON ENCLOSURES

## Application

Designed to offer protection for oil-tight pushbuttons, switches, and pilot lights from dust, water, dirt and oil. For installation information, consult our installation manual at [www.saginawcontrol.com](http://www.saginawcontrol.com).

## Construction

- 0.063" carbon steel.
- Continuously welded seams.
- Captivated cover screws thread into sealed wells.
- Four-way pushbutton holes accept all brands of oil-tight pushbuttons, switches and pilot lights. Hole diameter is 1.20" (30.5 mm).
- Pour in place oil and water resistant gasket.
- Provisions for sub-panel.
- Ground stud on door and body.
- Bolt-on continuous hinge with stainless steel hinge pin.
- Welded mounting provision top and bottom of back.

## Finish

ANSI-61 gray powder coated inside and out. Optional sub-panels powder coated white.

## IS2 Industry Standards

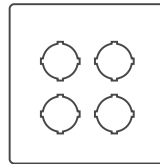
NEMA Type 4, 12 & Type 13  
 UL Listed Type 4 & 12  
 CSA Type 4 & 12  
 IEC 60529 IP66



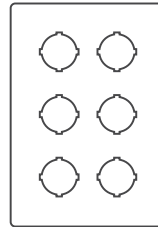
Enclosure Product Code A1

Sub-Panel (P3)

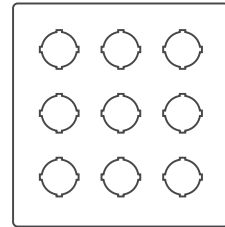
Catalog No.	Height (A)	Width (B)	Depth (C)	Industry Standard	Catalog No.	Panel Height (D)	Panel Width (E)
<a href="#">SCE-4SPBH</a>	8.13	8.00	6.00	IS2	SCE-8P8	7.00	7.00
<a href="#">SCE-6PBH</a>	10.13	8.00	6.00	IS2	SCE-10P8	9.00	7.00
<a href="#">SCE-9PBH</a>	10.13	10.00	6.00	IS2	SCE-10P10	9.00	9.00
<a href="#">SCE-12PBH</a>	12.13	10.00	6.00	IS2	SCE-12P10	11.00	9.00
<a href="#">SCE-16PBH</a>	12.13	12.00	6.00	IS2	SCE-12P12	11.00	11.00



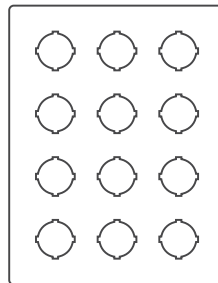
SCE-4SPBH



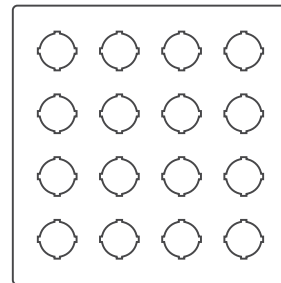
SCE-6PBH



SCE-9PBH

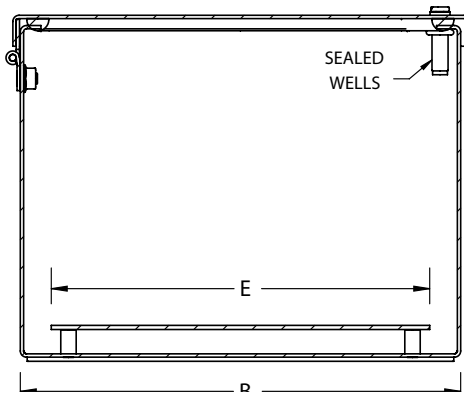
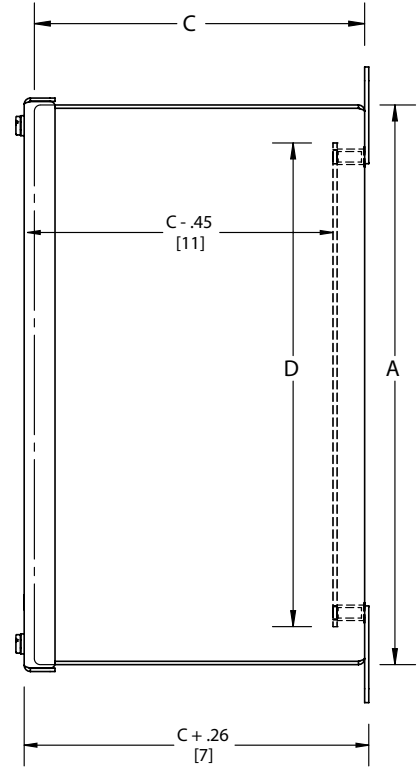
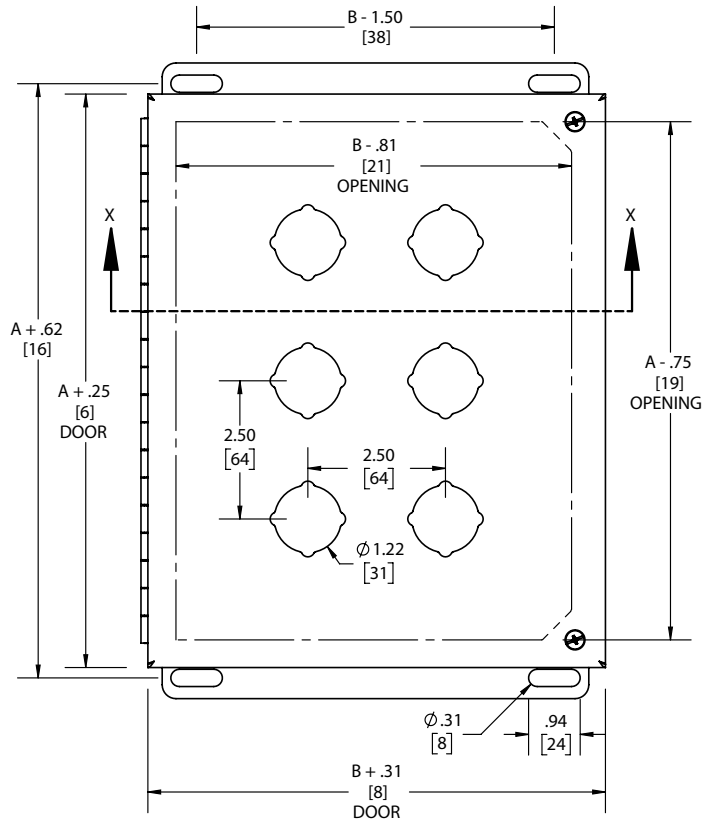


SCE-12PBH



SCE-16PBH

# EXTRA LARGE 30.5MM HINGED PUSHBUTTON ENCLOSURES TECHNICAL DATA



# EXTRA LARGE 22.5MM HINGED PUSHBUTTON ENCLOSURES

## Application

Designed to offer protection for oil-tight pushbuttons, switches, and pilot lights from dust, water, dirt and oil. For installation information, consult our installation manual at [www.saginawcontrol.com](http://www.saginawcontrol.com).

## Construction

- 0.063" carbon steel.
- Continuously welded seams.
- Captivated cover screws thread into sealed wells.
- Four-way pushbutton holes accept all brands of oil-tight pushbuttons, switches and pilot lights. Hole diameter is 0.886" (22.5 mm).
- Pour in place oil and water resistant gasket.
- Provisions for sub-panel.
- Ground stud on door and body.
- Bolt-on continuous hinge with stainless steel hinge pin.
- Welded mounting provision top and bottom of back.

## Finish

ANSI-61 gray powder coated inside and out. Optional sub-panels powder coated white.

## IS2 Industry Standards

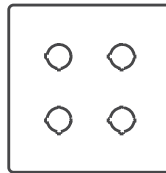
NEMA Type 4, 12 & Type 13  
 UL Listed Type 4 & 12  
 CSA Type 4 & 12  
 IEC 60529 IP66



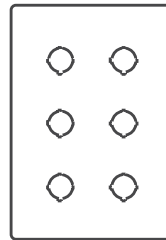
Enclosure Product Code A1

Sub-Panel (P3)

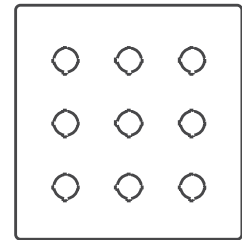
Catalog No.	Height (A)	Width (B)	Depth (C)	Industry Standard	Catalog No.	Panel Height (D)	Panel Width (E)
<a href="#">SCE-4SPBHI</a>	8.13	8.00	6.00	IS2	SCE-8P8	7.00	7.00
<a href="#">SCE-6PBHI</a>	10.13	8.00	6.00	IS2	SCE-10P8	9.00	7.00
<a href="#">SCE-9PBHI</a>	10.13	10.00	6.00	IS2	SCE-10P10	9.00	9.00
<a href="#">SCE-12PBHI</a>	12.13	10.00	6.00	IS2	SCE-12P10	11.00	9.00
<a href="#">SCE-16PBHI</a>	12.13	12.00	6.00	IS2	SCE-12P12	11.00	11.00



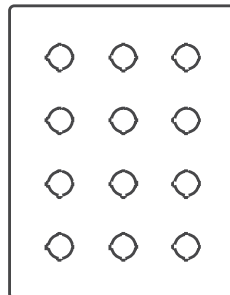
SCE-4SPBHI



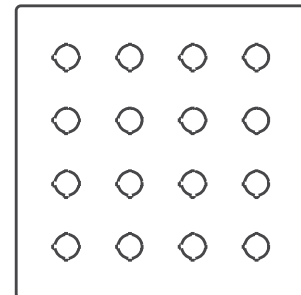
SCE-6PBHI



SCE-9PBHI



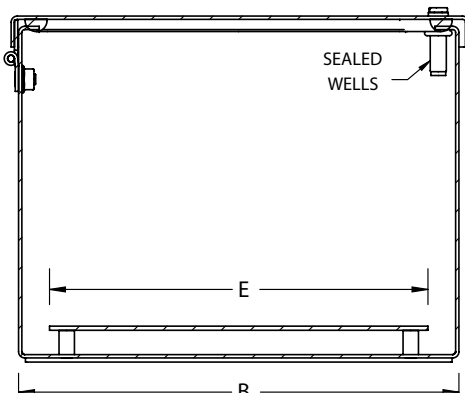
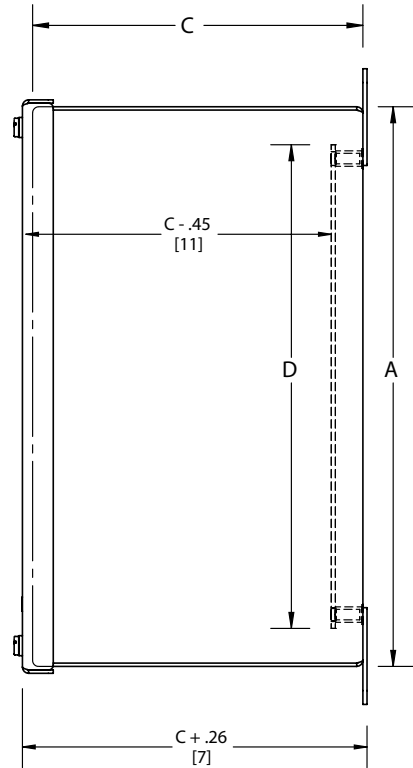
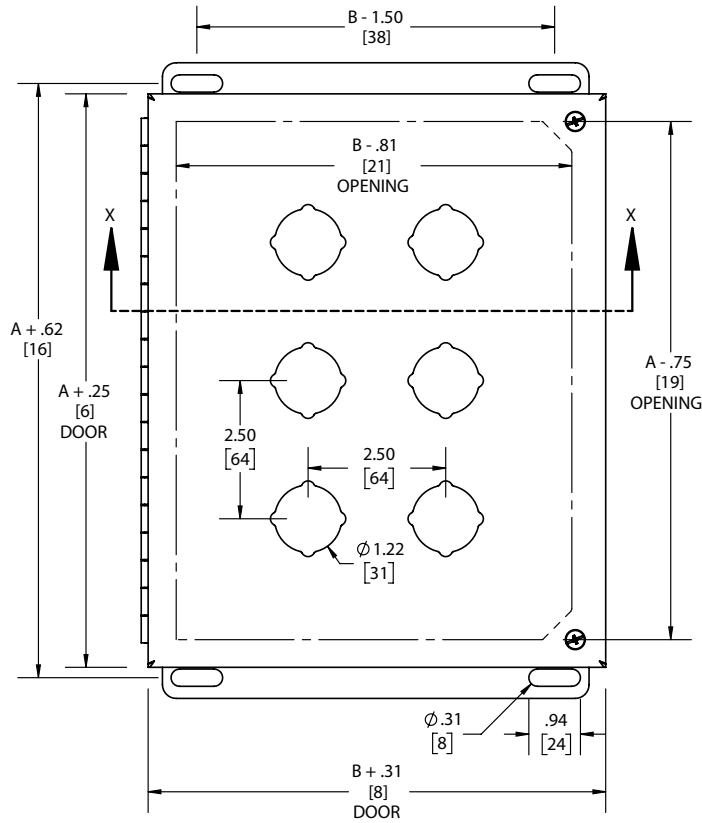
SCE-12PBHI



SCE-16PBHI

# EXTRA LARGE 22.5MM HINGED PUSHBUTTON ENCLOSURES

## TECHNICAL DATA



# SLOPING FRONT 30.5MM PUSHBUTTON ENCLOSURES

## Application

Designed to offer protection for all standard brands of oil-tight pushbuttons, switches, and pilot lights where slanted surfaces are desired. It offers protection from dust, dirt, oil and water. For installation information, consult our installation manual at [www.saginawcontrol.com](http://www.saginawcontrol.com).

## Construction

- 0.063" carbon steel.
- Continuously welded seams.
- Captivated cover screws thread into sealed wells.
- Four-way standard pushbutton holes accept all brands of oil-tight pushbuttons, switches, and pilot lights. Hole diameter is 1.20" (30.5 mm).
- Immediate removal of cover is permitted.
- Pour in place oil and water resistant gasket.
- Mounting feet included.
- Provisions for sub-panel.

## Finish

ANSI-61 gray powder coated inside and out. Optional sub-panels powder coated white.

## IS2 Industry Standards

NEMA Type 4, 12 & Type 13  
 UL Listed Type 4 & 12  
 CSA Type 4 & 12  
 IEC 60529 IP66

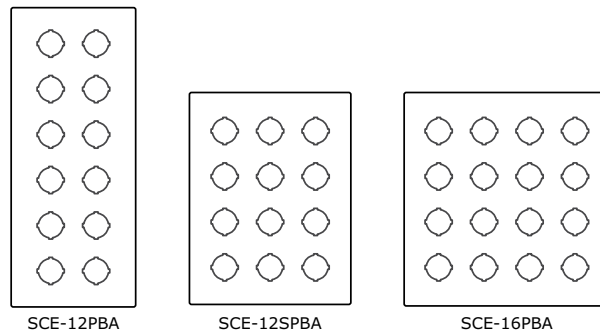
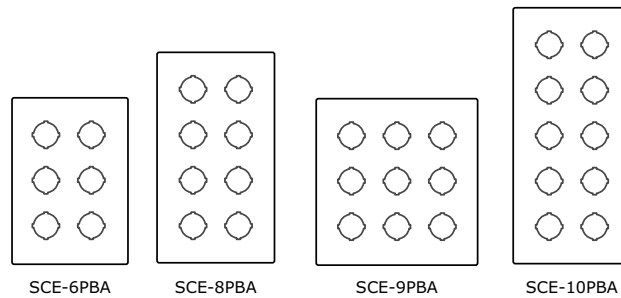
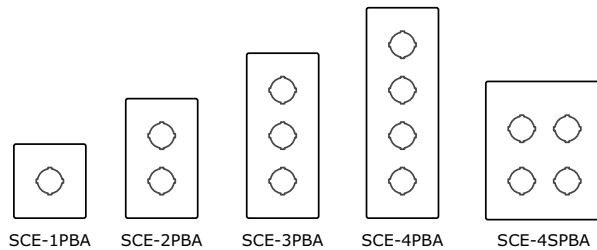


70

Enclosure Product Code A1

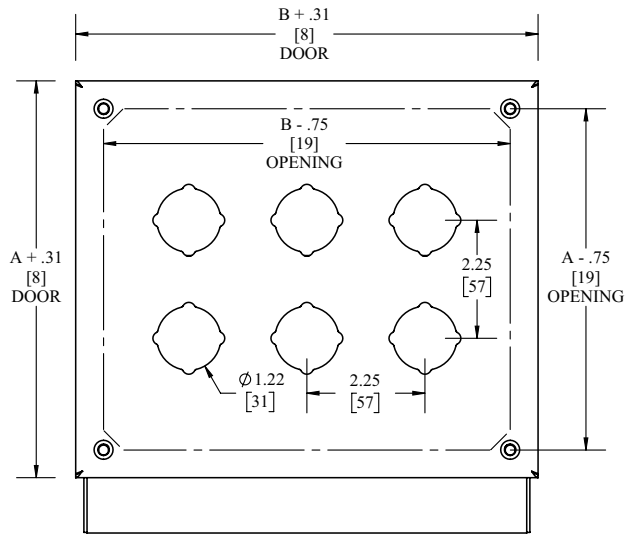
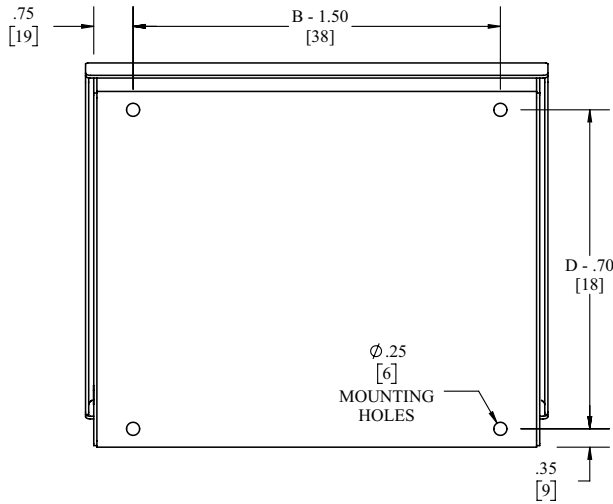
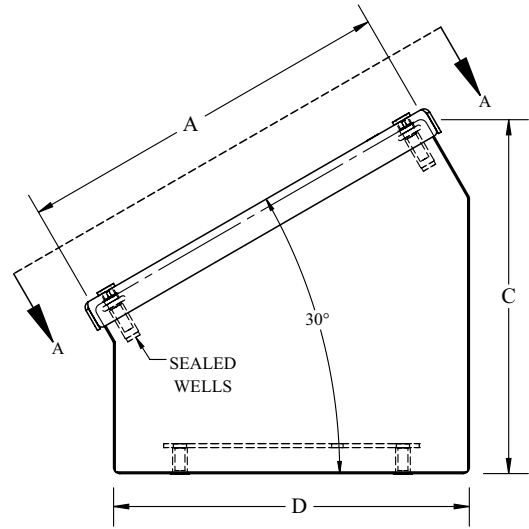
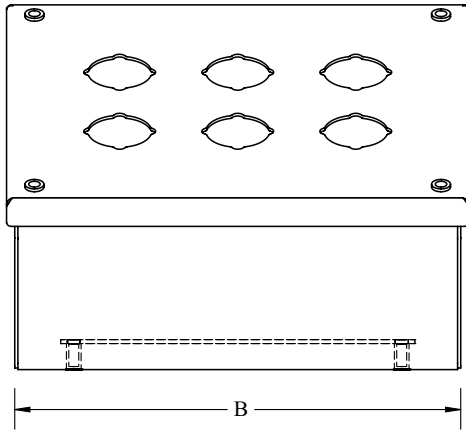
Sub-Panel (P3)

Catalog No.	Height (A)	Width (B)	Depth (C)	ref. Depth (D)	Industry Standard	Catalog No.	Panel Height (D)	Panel-Width (E)
<a href="#">SCE-1PBA</a>	3.50	3.25	4.87	3.53	IS2	No Panel		
<a href="#">SCE-2PBA</a>	3.50	5.50	4.87	3.53	IS2	No Panel		
<a href="#">SCE-3PBA</a>	3.50	7.75	4.87	3.53	IS2	No Panel		
<a href="#">SCE-4PBA</a>	3.50	10.00	4.87	3.53	IS2	No Panel		
<a href="#">SCE-4SPBA</a>	7.25	6.25	6.75	6.78	IS2	<a href="#">SCE-6P6</a>	5.00	5.00
<a href="#">SCE-6PBA</a>	7.25	8.50	6.75	6.78	IS2	<a href="#">SCE-8P6</a>	7.00	5.00
<a href="#">SCE-8PBA</a>	7.25	10.75	6.75	6.78	IS2	<a href="#">SCE-10P6</a>	9.00	5.00
<a href="#">SCE-9PBA</a>	9.50	8.50	7.88	8.73	IS2	<a href="#">SCE-8P8</a>	7.00	7.00
<a href="#">SCE-10PBA</a>	7.25	13.00	6.75	6.78	IS2	<a href="#">SCE-12P6</a>	11.00	5.00
<a href="#">SCE-12PBA</a>	7.25	15.25	6.75	6.78	IS2	<a href="#">SCE-14P6</a>	13.00	5.00
<a href="#">SCE-12SPBA</a>	11.75	8.50	9.00	10.69	IS2	<a href="#">SCE-10P8</a>	9.00	7.00
<a href="#">SCE-16PBA</a>	11.75	10.75	9.00	10.69	IS2	<a href="#">SCE-10P10</a>	9.00	9.00



# SLOPING FRONT 30.5MM PUSHBUTTON ENCLOSURES

## TECHNICAL DATA



VIEW A-A

# SLOPING FRONT 22.5MM PUSHBUTTON ENCLOSURES

## Application

Designed to offer protection for all standard brands of oil-tight pushbuttons, switches, and pilot lights where slanted surfaces are desired. It offers protection from dust, dirt, oil and water. For installation information, consult our installation manual at [www.saginawcontrol.com](http://www.saginawcontrol.com).

## Construction

- 0.063" carbon steel.
- Continuously welded seams.
- Captivated cover screws thread into sealed wells.
- Four-way standard pushbutton holes accept all brands of oil-tight pushbuttons, switches, and pilot lights. Hole diameter is 0.886" (22.5 mm).
- Immediate removal of cover is permitted.
- Pour in place oil and water resistant gasket.
- Mounting feet included.
- Provisions for sub-panel.

## Finish

ANSI-61 gray powder coated inside and out. Optional sub-panels powder coated white.

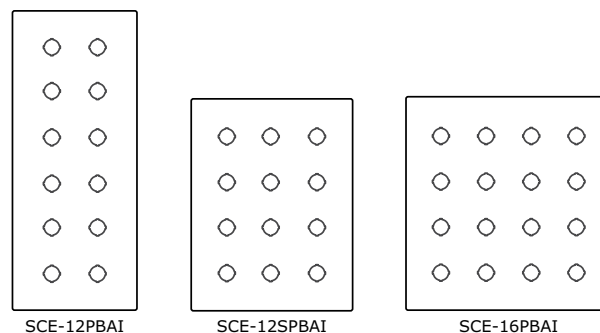
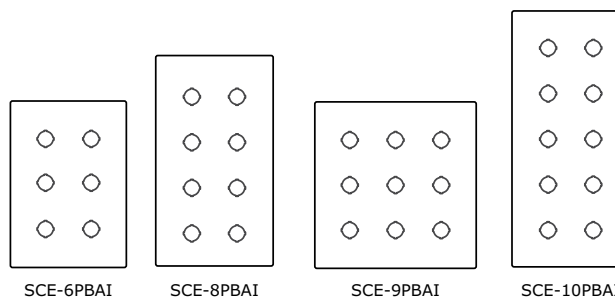
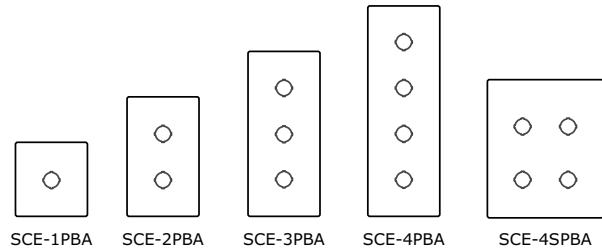
## IS2 Industry Standards

NEMA Type 4, 12 & Type 13  
 UL Listed Type 4 & 12  
 CSA Type 4 & 12  
 IEC 60529 IP66



72

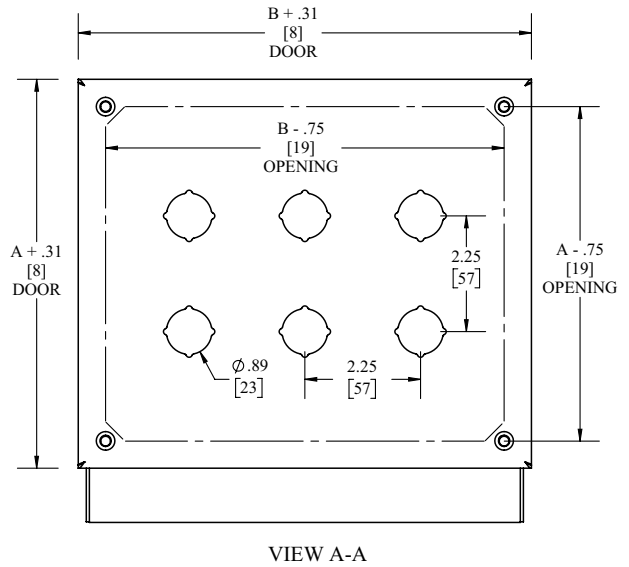
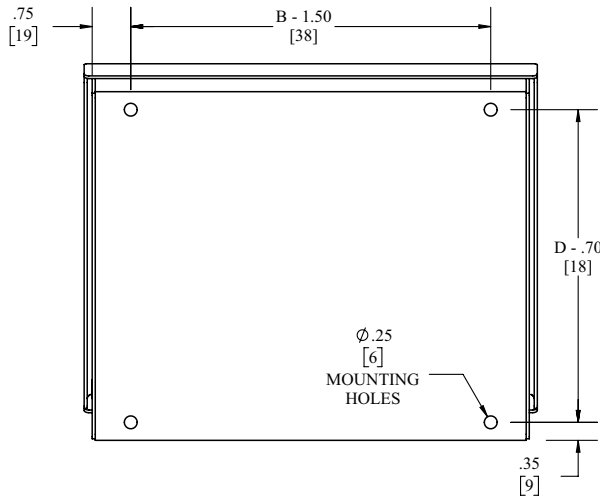
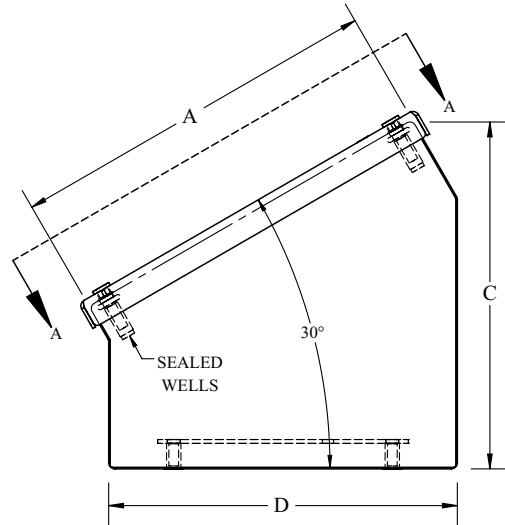
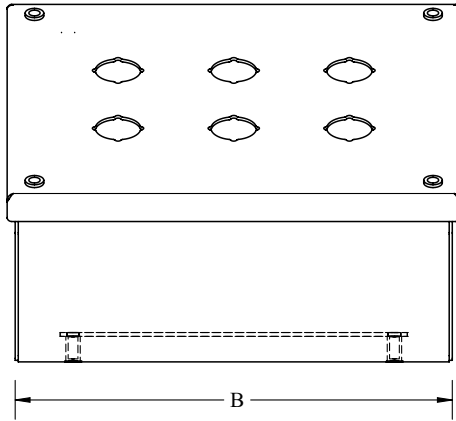
Enclosure Product Code A1						Sub-Panel (P3)		
Catalog No.	Height (A)	Width (B)	Depth (C)	ref. Depth (D)	Industry Standard	Catalog No.	Panel Height (D)	Panel-Width (E)
<a href="#">SCE-1PBAI</a>	3.50	3.25	4.87	3.53	IS2	No Panel		
<a href="#">SCE-2PBAI</a>	3.50	5.50	4.87	3.53	IS2	No Panel		
<a href="#">SCE-3PBAI</a>	3.50	7.75	4.87	3.53	IS2	No Panel		
<a href="#">SCE-4PBAI</a>	3.50	10.00	4.87	3.53	IS2	No Panel		
<a href="#">SCE-4SPBAI</a>	7.25	6.25	6.75	6.78	IS2	<a href="#">SCE-6P6</a>	5.00	5.00
<a href="#">SCE-6PBAI</a>	7.25	8.50	6.75	6.78	IS2	<a href="#">SCE-8P6</a>	7.00	5.00
<a href="#">SCE-8PBAI</a>	7.25	10.75	6.75	6.78	IS2	<a href="#">SCE-10P6</a>	9.00	5.00
<a href="#">SCE-9PBAI</a>	9.50	8.50	7.88	8.73	IS2	<a href="#">SCE-8P8</a>	7.00	7.00
<a href="#">SCE-10PBAI</a>	7.25	13.00	6.75	6.78	IS2	<a href="#">SCE-12P6</a>	11.00	5.00
<a href="#">SCE-12PBAI</a>	7.25	15.25	6.75	6.78	IS2	<a href="#">SCE-14P6</a>	13.00	5.00
<a href="#">SCE-12SPBAI</a>	11.75	8.50	9.00	10.69	IS2	<a href="#">SCE-10P8</a>	9.00	7.00
<a href="#">SCE-16PBAI</a>	11.75	10.75	9.00	10.69	IS2	<a href="#">SCE-10P10</a>	9.00	9.00





# SLOPING FRONT 22.5MM PUSHBUTTON ENCLOSURES

## TECHNICAL DATA



# ENVIROLINE® SERIES JUNCTION ENCLOSURES

## Application

Designed to house electrical controls, instruments and components in areas, which may be regularly hosed down or are in very wet or oily conditions. Provides protection from dust, dirt, oil, and water. For installation information, consult our installation manual at [www.saginawcontrol.com](http://www.saginawcontrol.com).

## Construction

- 0.063" carbon steel.
- Seams continuously welded and ground smooth.
- Flange trough collar around all sides of door opening.
- Pour in place oil and water resistant gasket.
- Standoffs provided for mounting optional sub-panels.
- Removable hinge.
- Doors open 180 degrees.
- Black mini quarter turn latches.
- Latches are opened or closed with a screwdriver.
- Sealing washers and hole plugs included.
- Ground stud on door & body.
- Mounting feet included.

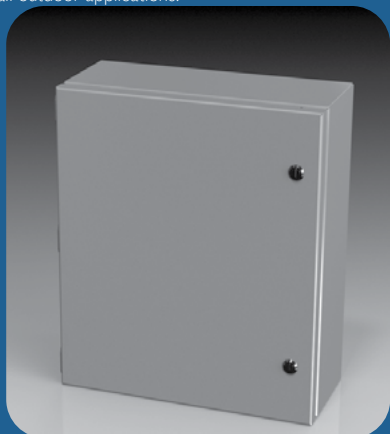
## Finish

ANSI-61 gray powder coated inside and out. Optional sub-panels available.

## IS4 Industry Standards

NEMA Type 3R, 4, 12 & Type 13  
 UL Listed Type 3R, 4 & 12  
 CSA Type 3R, 4 & 12  
 IEC 60529 IP66

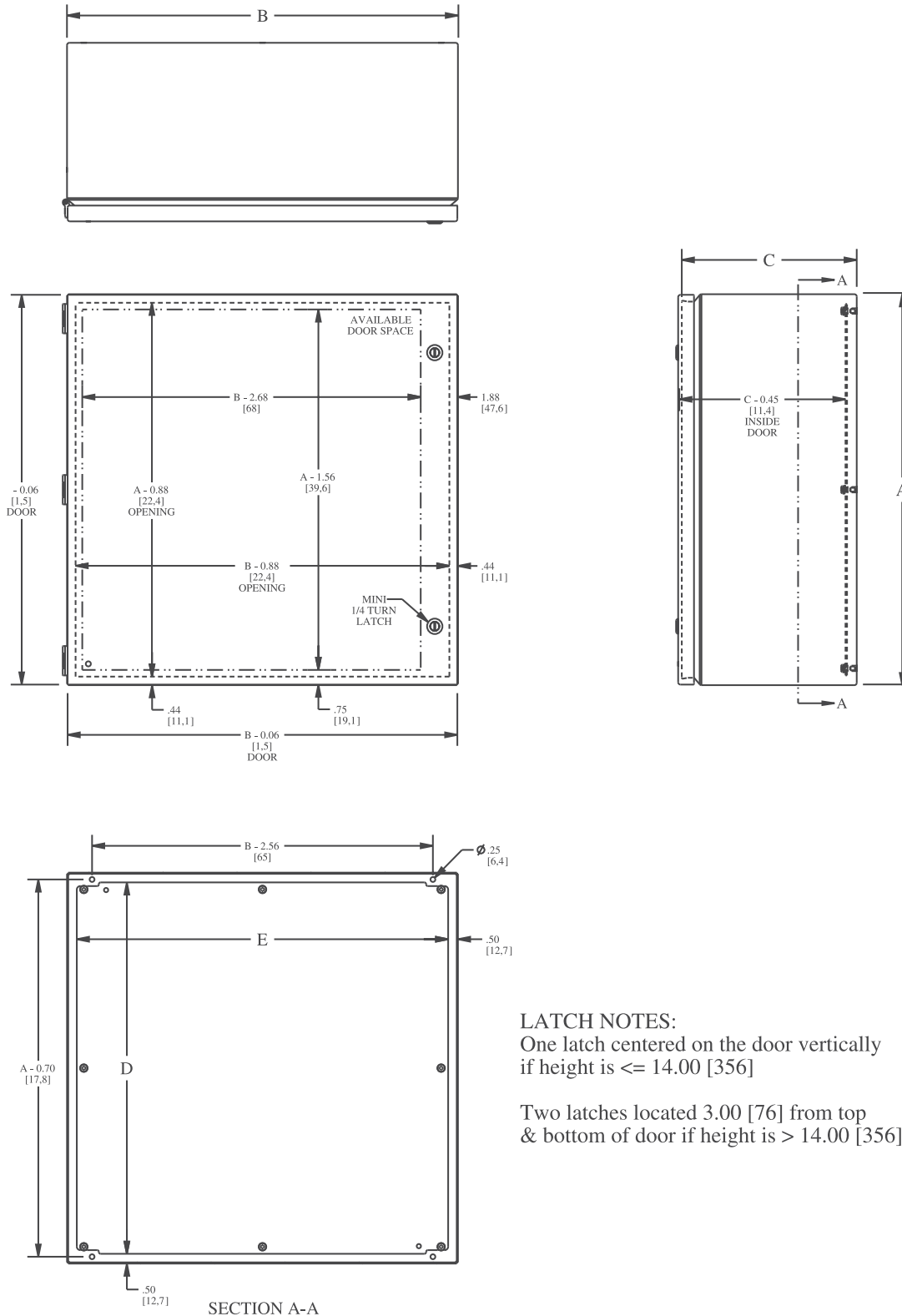
\*\*\*To maintain Type 3R listing, drainage is required. Install equally rated drainage device or drill a 1/8 to 1/4 inch hole in the bottom center of the enclosure, approximately 1 inch from the right, and 1 inch from the left for drainage, use listed rain-tight or wet location hubs. Drip shield over the door is recommended for all outdoor applications.



Enclosure Product Code E1					Sub-Panel (P3)		
Catalog No.	Height (A)	Width (B)	Depth (C)	Industry Standard	Catalog No.	Panel Height (D)	Panel Width (E)
<a href="#">SCE-604ELJ</a>	6.00	4.00	4.00	IS4	<a href="#">SCE-6P4</a>	5.00	3.00
<a href="#">SCE-606ELJ</a>	6.00	6.00	4.00	IS4	<a href="#">SCE-6P6</a>	5.00	5.00
<a href="#">SCE-806ELJ</a>	8.00	6.00	4.00	IS4	<a href="#">SCE-8P6</a>	7.00	5.00
<a href="#">SCE-8066ELJ</a>	8.00	6.00	6.00	IS4	<a href="#">SCE-8P6</a>	7.00	5.00
<a href="#">SCE-808ELJ</a>	8.00	8.00	4.00	IS4	<a href="#">SCE-8P8</a>	7.00	7.00
<a href="#">SCE-8086ELJ</a>	8.00	8.00	6.00	IS4	<a href="#">SCE-8P8</a>	7.00	7.00
<a href="#">SCE-1008ELJ</a>	10.00	8.00	4.00	IS4	<a href="#">SCE-10P8</a>	9.00	7.00
<a href="#">SCE-10086ELJ</a>	10.00	8.00	6.00	IS4	<a href="#">SCE-10P8</a>	9.00	7.00
<a href="#">SCE-10106ELJ</a>	10.00	10.00	6.00	IS4	<a href="#">SCE-10P10</a>	9.00	9.00
<a href="#">SCE-1210ELJ</a>	12.00	10.00	6.00	IS4	<a href="#">SCE-12P10</a>	11.00	9.00
<a href="#">SCE-12108ELJ</a>	12.00	10.00	8.00	IS4	<a href="#">SCE-12P10</a>	11.00	9.00
<a href="#">SCE-1212ELJ</a>	12.00	12.00	6.00	IS4	<a href="#">SCE-12P12</a>	11.00	11.00
<a href="#">SCE-1412ELJ</a>	14.00	12.00	6.00	IS4	<a href="#">SCE-14P12</a>	13.00	11.00
<a href="#">SCE-14128ELJ</a>	14.00	12.00	8.00	IS4	<a href="#">SCE-14P12</a>	13.00	11.00
<a href="#">SCE-1614ELJ</a>	16.00	14.00	6.00	IS4	<a href="#">SCE-16P14</a>	15.00	13.00
<a href="#">SCE-16148ELJ</a>	16.00	14.00	8.00	IS4	<a href="#">SCE-16P14</a>	15.00	13.00
<a href="#">SCE-20166ELJ</a>	20.00	16.00	6.00	IS4	<a href="#">SCE-20P16J</a>	19.00	15.00
<a href="#">SCE-20168ELJ</a>	20.00	16.00	8.00	IS4	<a href="#">SCE-20P16J</a>	19.00	15.00
<a href="#">SCE-201610ELJ</a>	20.00	16.00	10.00	IS4	<a href="#">SCE-20P16J</a>	19.00	15.00
<a href="#">SCE-20206ELJ</a>	20.00	20.00	6.00	IS4	<a href="#">SCE-20P20J</a>	19.00	19.00
<a href="#">SCE-20208ELJ</a>	20.00	20.00	8.00	IS4	<a href="#">SCE-20P20J</a>	19.00	19.00
<a href="#">SCE-202010ELJ</a>	20.00	20.00	10.00	IS4	<a href="#">SCE-20P20J</a>	19.00	19.00

# ENVIROLINE® SERIES JUNCTION ENCLOSURES

## TECHNICAL DATA



**LATCH NOTES:**  
 One latch centered on the door vertically if height is  $\leq 14.00$  [356]  
 Two latches located  $3.00$  [76] from top & bottom of door if height is  $> 14.00$  [356]

# ENVIROLINE® SERIES JUNCTION ENCLOSURES

## RAL 7035

### Application

Designed to house electrical controls, instruments and components in areas, which may be regularly hosed down or are in very wet or oily conditions. Provides protection from dust, dirt, oil, and water. For installation information, consult our installation manual at [www.saginawcontrol.com](http://www.saginawcontrol.com).

### Construction

- 0.063" carbon steel.
- Seams continuously welded and ground smooth.
- Flange trough collar around all sides of door opening.
- Pour in place oil and water resistant gasket.
- Standoffs provided for mounting optional sub-panels.
- Removable hinge.
- Doors open 180 degrees.
- Black mini quarter turn latches.
- Latches are opened or closed with a screwdriver.
- Sealing washers and hole plugs included.
- Ground stud on door & body.
- Mounting feet included.

### Finish

RAL 7035 gray powder coated inside and out. Optional sub-panels powder coated white.

### IS4 Industry Standards

NEMA Type 3R, 4, 12 & Type 13  
 UL Listed Type 3R, 4 & 12  
 CSA Type 3R, 4 & 12  
 IEC 60529 IP66

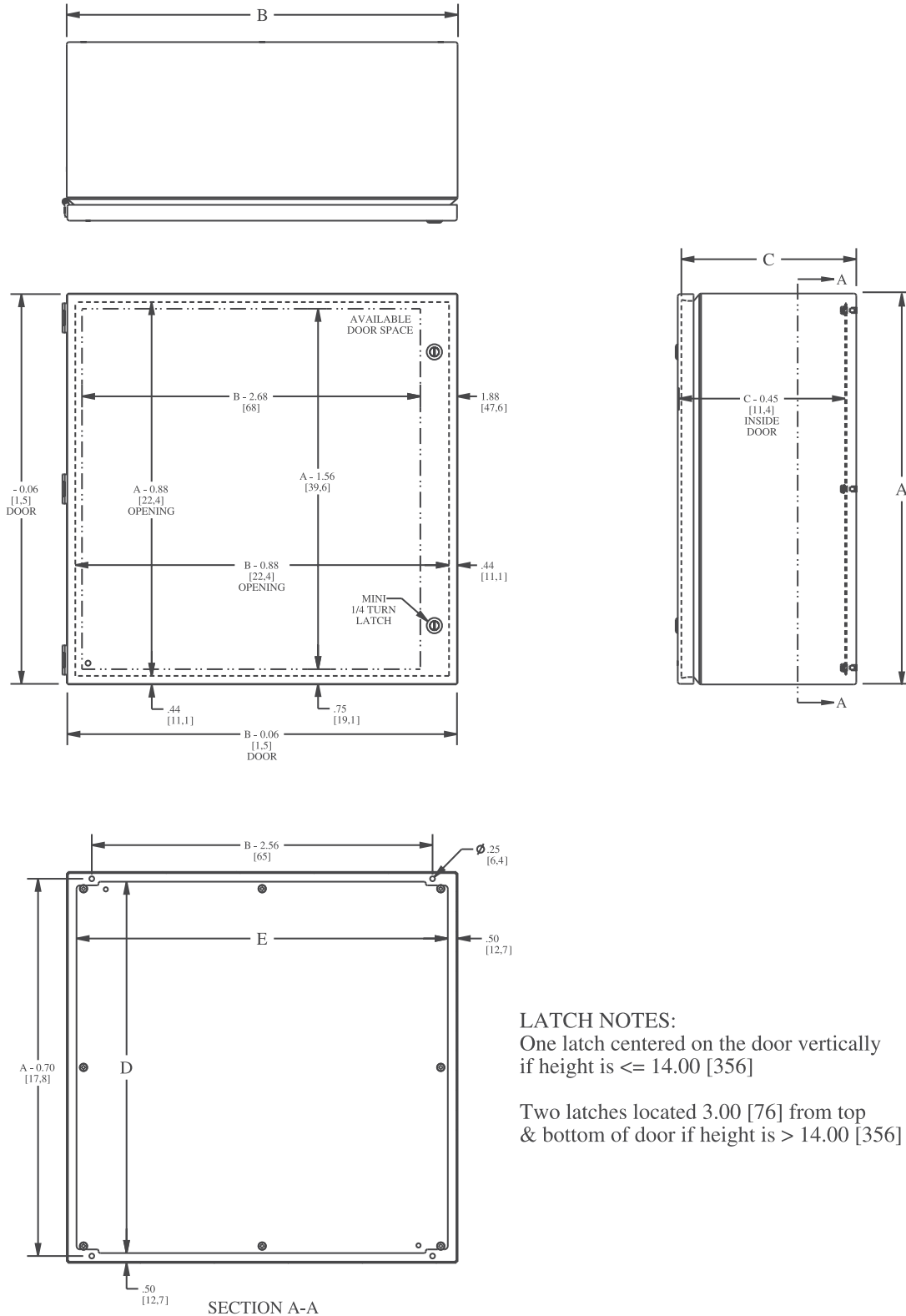
\*\*\*To maintain Type 3R listing, drainage is required. Install equally rated drainage device or drill a 1/8 to 1/4 inch hole in the bottom center of the enclosure, approximately 1 inch from the right, and 1 inch from the left for drainage, use listed rain-tight or wet location hubs. Drip shield over the door is recommended for all outdoor applications.



### Enclosure Product Code E1

### Sub-Panel (P3)

Catalog No.	Height (A)	Width (B)	Depth (C)	Industry Standard	Catalog No.	Panel Height (D)	Panel Width (E)
<a href="#">SCE-604ELJLG</a>	6.00	4.00	4.00	IS4	<a href="#">SCE-6P4</a>	5.00	3.00
<a href="#">SCE-606ELJLG</a>	6.00	6.00	4.00	IS4	<a href="#">SCE-6P6</a>	5.00	5.00
<a href="#">SCE-806ELJLG</a>	8.00	6.00	4.00	IS4	<a href="#">SCE-8P6</a>	7.00	5.00
<a href="#">SCE-8066ELJLG</a>	8.00	6.00	6.00	IS4	<a href="#">SCE-8P6</a>	7.00	5.00
<a href="#">SCE-808ELJLG</a>	8.00	8.00	4.00	IS4	<a href="#">SCE-8P8</a>	7.00	7.00
<a href="#">SCE-8086ELJLG</a>	8.00	8.00	6.00	IS4	<a href="#">SCE-8P8</a>	7.00	7.00
<a href="#">SCE-1008ELJLG</a>	10.00	8.00	4.00	IS4	<a href="#">SCE-10P8</a>	9.00	7.00
<a href="#">SCE-10086ELJLG</a>	10.00	8.00	6.00	IS4	<a href="#">SCE-10P8</a>	9.00	7.00
<a href="#">SCE-10106ELJLG</a>	10.00	10.00	6.00	IS4	<a href="#">SCE-10P10</a>	9.00	9.00
<a href="#">SCE-1210ELJLG</a>	12.00	10.00	6.00	IS4	<a href="#">SCE-12P10</a>	11.00	9.00
<a href="#">SCE-12108ELJLG</a>	12.00	10.00	8.00	IS4	<a href="#">SCE-12P10</a>	11.00	9.00
<a href="#">SCE-1212ELJLG</a>	12.00	12.00	6.00	IS4	<a href="#">SCE-12P12</a>	11.00	11.00
<a href="#">SCE-1412ELJLG</a>	14.00	12.00	6.00	IS4	<a href="#">SCE-14P12</a>	13.00	11.00
<a href="#">SCE-14128ELJLG</a>	14.00	12.00	8.00	IS4	<a href="#">SCE-14P12</a>	13.00	11.00
<a href="#">SCE-1614ELJLG</a>	16.00	14.00	6.00	IS4	<a href="#">SCE-16P14</a>	15.00	13.00
<a href="#">SCE-16148ELJLG</a>	16.00	14.00	8.00	IS4	<a href="#">SCE-16P14</a>	15.00	13.00
<a href="#">SCE-20166ELJLG</a>	20.00	16.00	6.00	IS4	<a href="#">SCE-20P16J/GALV</a>	19.00	15.00
<a href="#">SCE-20168ELJLG</a>	20.00	16.00	8.00	IS4	<a href="#">SCE-20P16J/GALV</a>	19.00	15.00
<a href="#">SCE-201610ELJLG</a>	20.00	16.00	10.00	IS4	<a href="#">SCE-20P16J/GALV</a>	19.00	15.00
<a href="#">SCE-20206ELJLG</a>	20.00	20.00	6.00	IS4	<a href="#">SCE-20P20J/GALV</a>	19.00	19.00
<a href="#">SCE-20208ELJLG</a>	20.00	20.00	8.00	IS4	<a href="#">SCE-20P20J/GALV</a>	19.00	19.00
<a href="#">SCE-202010ELJLG</a>	20.00	20.00	10.00	IS4	<a href="#">SCE-20P20J/GALV</a>	19.00	19.00



**LATCH NOTES:**  
 One latch centered on the door vertically if height is  $\leq 14.00$  [356]  
 Two latches located 3.00 [76] from top & bottom of door if height is  $> 14.00$  [356]

# ENVIROLINE® SERIES JUNCTION ENCLOSURES WITH VIEWING WINDOW

## Application

Designed to house electrical controls, instruments and components that require unrestricted viewing of the gauges or controls, in areas which may be regularly hosed down or are in very wet or oily conditions. Provides protection from dust, dirt, oil, and water. For installation information, consult our installation manual at [www.saginawcontrol.com](http://www.saginawcontrol.com).

## Construction

- 0.063" carbon steel.
- Seams continuously welded and ground smooth.
- Flange trough collar around all sides of door opening.
- Pour in place oil and water resistant gasket.
- Standoffs provided for mounting optional sub-panels.
- Removable hinge.
- Doors open 180 degrees.
- Black mini quarter turn latches.
- Latches are opened or closed with a screwdriver.
- Sealing washers and hole plugs included.
- Ground stud on door & body.
- Mounting feet included.
- 0.25" Polycarbonate viewing window

## Finish

ANSI-61 gray powder coated inside and out.

Optional sub-panels powder coated white.

## Notes

Recommend use as Type 3R rating in full outdoor exposure and extreme weather environments.

For more details see *Design Considerations* on our website.

## IS4 Industry Standards

NEMA Type 3R, 4, 12 & Type 13

UL Listed Type 3R, 4 & 12

CSA Type 3R, 4 & 12

IEC 60529 IP66

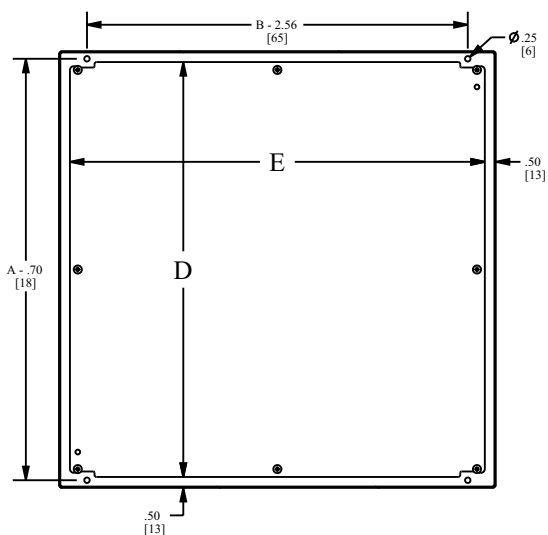
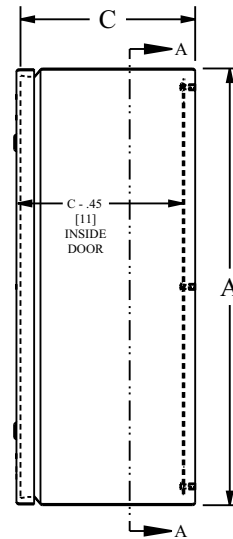
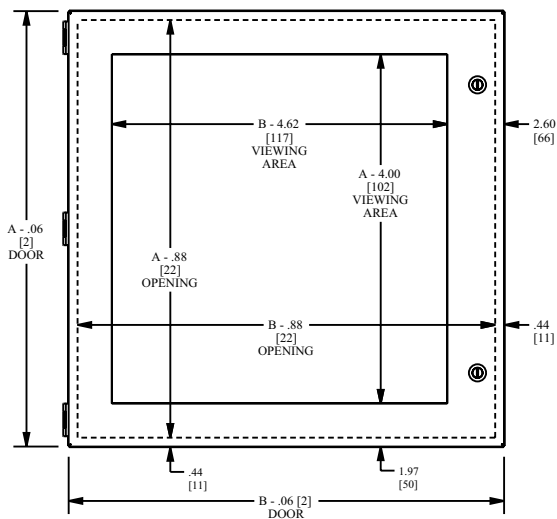
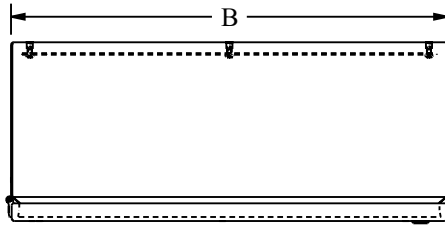
\*\*\*To maintain Type 3R listing, drainage is required. Install equally rated drainage device or drill a 1/8 to 1/4 inch hole in the bottom center of the enclosure, approximately 1 inch from the right, and 1 inch from the left for drainage, use listed rain-tight or wet location hubs. Drip shield over the door is recommended for all outdoor applications.

Enclosure Product Code E1

Catalog No.	Height (A)	Width (B)	Depth (C)	Window Viewing Size	Industry Standard	Catalog No.	Panel Height (D)	Panel Width (E)
<a href="#">SCE-1008ELJW</a>	10.00	8.00	4.00	6.00 x 3.375	IS4	<a href="#">SCE-10P8</a>	9.00	7.00
<a href="#">SCE-10086ELJW</a>	10.00	8.00	6.00	6.00 x 3.375	IS4	<a href="#">SCE-10P8</a>	9.00	7.00
<a href="#">SCE-1210ELJW</a>	12.00	10.00	6.00	8.00 x 5.375	IS4	<a href="#">SCE-12P10</a>	11.00	9.00
<a href="#">SCE-12108ELJW</a>	12.00	10.00	8.00	8.00 x 5.375	IS4	<a href="#">SCE-12P10</a>	11.00	9.00
<a href="#">SCE-1614ELJW</a>	16.00	14.00	6.00	12.00 x 9.375	IS4	<a href="#">SCE-16P14</a>	15.00	13.00
<a href="#">SCE-16148ELJW</a>	16.00	14.00	8.00	12.00 x 9.375	IS4	<a href="#">SCE-16P14</a>	15.00	13.00
<a href="#">SCE-20208ELJW</a>	20.00	20.00	8.00	16.00 x 15.375	IS4	<a href="#">SCE-20P20J</a>	19.00	19.00



# ENVIROLINE® SERIES JUNCTION ENCLOSURES WITH VIEWING WINDOW TECHNICAL DATA



SECTION A-A

**LATCH NOTES:**

One latch centered on the door vertically if height is  $\leq 14.00$  [356]

Two latches located 3.00 [76] from top & bottom of door if height is  $> 14.00$  [356]

# ENVIROLINE® SERIES TROUGH JUNCTION ENCLOSURES

## Application

Designed to house electrical controls, instruments and components used in an indoor or outdoor environment to provide a degree of protection for the equipment inside the enclosure against ingress of solid foreign objects (falling dirt); and provide a degree of protection with respect to the harmful effects on the equipment due to the ingress of water (rain, sleet, snow). For installation information, consult our installation manual at [www.saginawcontrol.com](http://www.saginawcontrol.com).

## Construction

- 0.063" carbon steel.
- Seams continuously welded and ground smooth.
- Flange trough collar around all sides of door opening.
- Pour in place oil and water resistant gasket.
- Standoffs provided for mounting optional sub-panels.
- Removable hinges.
- Doors open 180 degrees.
- Black mini quarter turn latches.
- Latches are opened or closed with a screwdriver.
- Sealing washers and hole plugs included.
- Ground stud on door and body.
- Mounting feet included.
- Padlocking or keylocking latches, and tamper-resistant hardware are available.

## Finish

ANSI-61 gray powder coated inside and out. Optional sub-panels powder coated white.

## IS4 Industry Standards

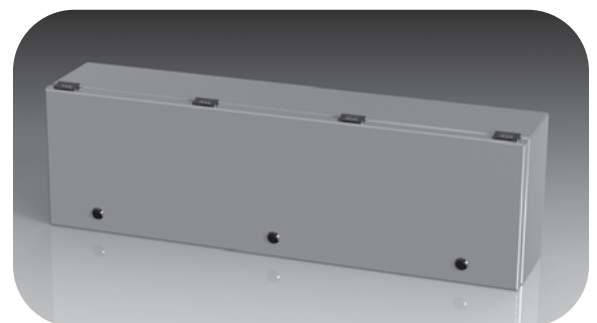
NEMA Type 3R, 4, 12 & Type 13  
 UL Listed Type 3R, 4 & 12  
 CSA Type 3R, 4 & 12  
 IEC 60529 IP66

\*\*\*To maintain Type 3R listing, drainage is required. Install equally rated drainage device or drill a 1/8 to 1/4 inch hole in the bottom center of the enclosure, approximately 1 inch from the right, and 1 inch from the left for drainage, use listed rain-tight or wet location hubs. Drip shield over the door is recommended for all outdoor applications.

Enclosure Product Code E1

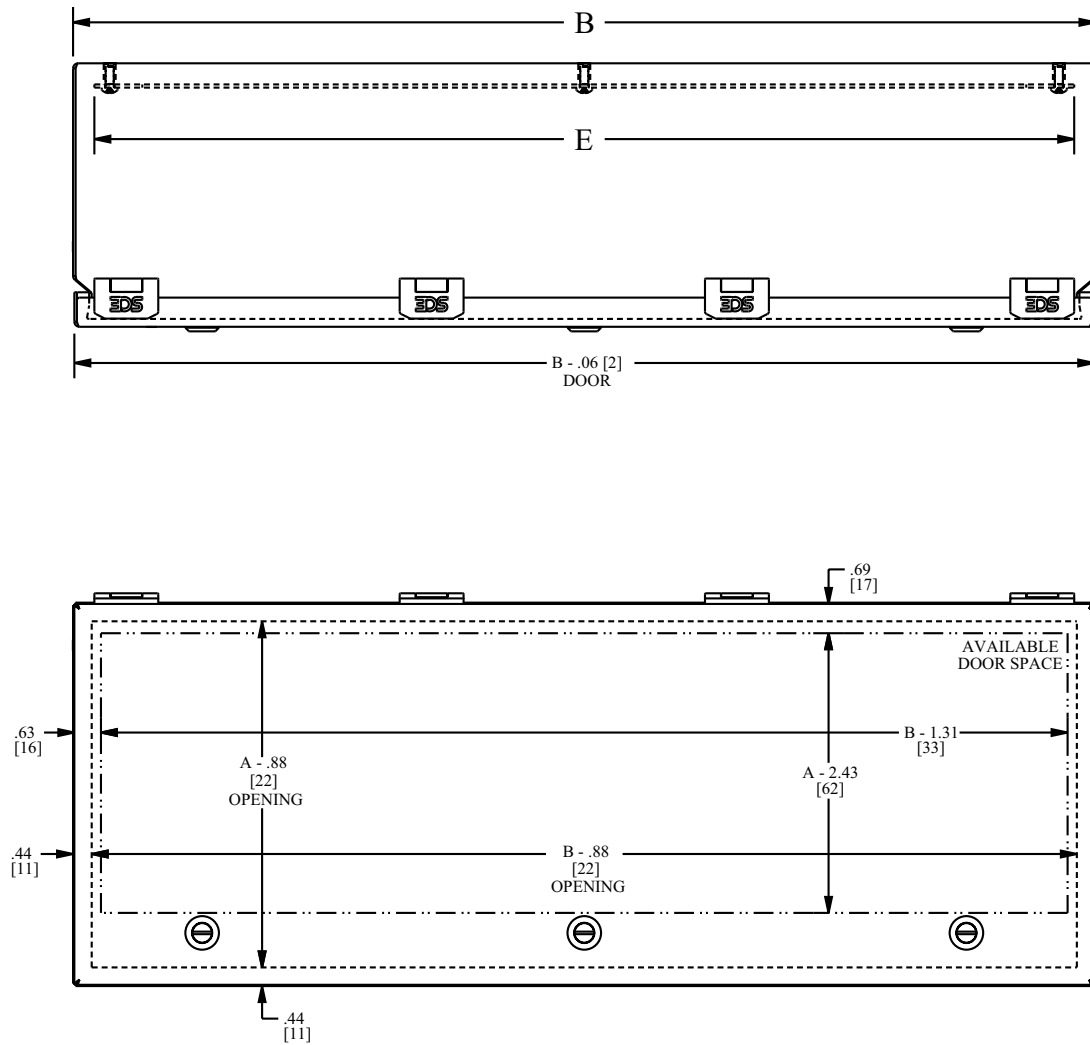
Sub-Panel (P3)

Catalog No.	Height (A)	Width (B)	Depth (C)	Industry Standard	Catalog No.	Panel Height (D)	Panel Width (E)
<a href="#">SCE-L9126ELJ</a>	9.00	12.00	6.00	IS4	<a href="#">SCE-9P12L</a>	8.00	11.00
<a href="#">SCE-L9128ELJ</a>	9.00	12.00	8.00	IS4	<a href="#">SCE-9P12L</a>	8.00	11.00
<a href="#">SCE-L9186ELJ</a>	9.00	18.00	6.00	IS4	<a href="#">SCE-9P18L</a>	8.00	17.00
<a href="#">SCE-L9188ELJ</a>	9.00	18.00	8.00	IS4	<a href="#">SCE-9P18L</a>	8.00	17.00
<a href="#">SCE-L9246ELJ</a>	9.00	24.00	6.00	IS4	<a href="#">SCE-9P24L</a>	8.00	23.00
<a href="#">SCE-L9248ELJ</a>	9.00	24.00	8.00	IS4	<a href="#">SCE-9P24L</a>	8.00	23.00
<a href="#">SCE-L9306ELJ</a>	9.00	30.00	6.00	IS4	<a href="#">SCE-9P30L</a>	8.00	29.00
<a href="#">SCE-L9308ELJ</a>	9.00	30.00	8.00	IS4	<a href="#">SCE-9P30L</a>	8.00	29.00
<a href="#">SCE-L9366ELJ</a>	9.00	36.00	6.00	IS4	<a href="#">SCE-9P36L</a>	8.00	35.00
<a href="#">SCE-L9368ELJ</a>	9.00	36.00	8.00	IS4	<a href="#">SCE-9P36L</a>	8.00	35.00



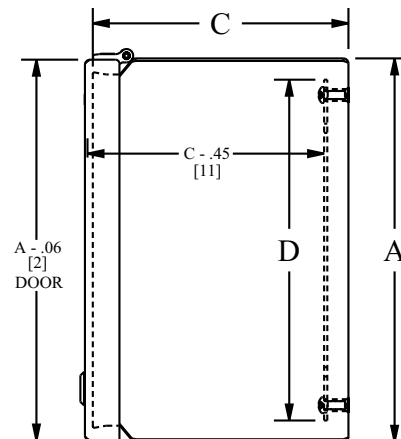


# ENVIROLINE® SERIES TROUGH JUNCTION ENCLOSURES TECHNICAL DATA



## LATCH NOTES:

1. One latch centered on the door horizontally if width is  $\leq 14.00$  [356]
2. Two latches located 3.00 [76] from sides of door if width is  $> 14.00$  [356]
3. An additional latch is centered horizontally if width is  $> 20.00$  [508]



# ENVIROLINE® SERIES TROUGH JUNCTION ENCLOSURES RAL 7035

## Application

Designed to house electrical controls, instruments and components used in an indoor or outdoor environment to provide a degree of protection for the equipment inside the enclosure against ingress of solid foreign objects (falling dirt); and provide a degree of protection with respect to the harmful effects on the equipment due to the ingress of water (rain, sleet, snow). For installation information, consult our installation manual at [www.saginawcontrol.com](http://www.saginawcontrol.com).

## Construction

- 0.063" carbon steel.
- Seams continuously welded and ground smooth.
- Flange trough collar around all sides of door opening.
- Pour in place oil and water resistant gasket.
- Standoffs provided for mounting optional sub-panels.
- Removable hinges.
- Doors open 180 degrees.
- Black mini quarter turn latches.
- Latches are opened or closed with a screwdriver.
- Sealing washers and hole plugs included.
- Ground stud on door and body.
- Mounting feet included.
- Padlocking or keylocking latches, and tamper-resistant hardware are available.

## Finish

RAL 7035 gray powder coated inside and out. Optional sub-panels powder coated white.

## IS4 Industry Standards

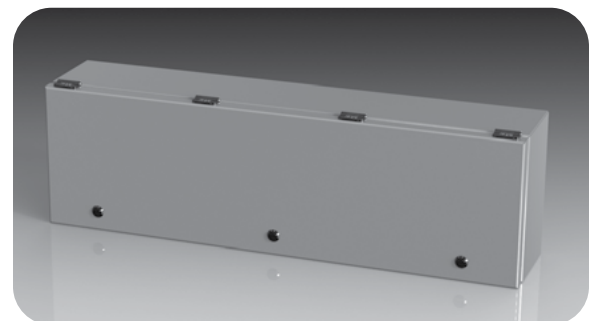
NEMA Type 3R, 4, 12 & Type 13  
 UL Listed Type 3R, 4 & 12  
 CSA Type 3R, 4 & 12  
 IEC 60529 IP66

\*\*\*To maintain Type 3R listing, drainage is required. Install equally rated drainage device or drill a 1/8 to 1/4 inch hole in the bottom center of the enclosure, approximately 1 inch from the right, and 1 inch from the left for drainage, use listed rain-tight or wet location hubs. Drip shield over the door is recommended for all outdoor applications.

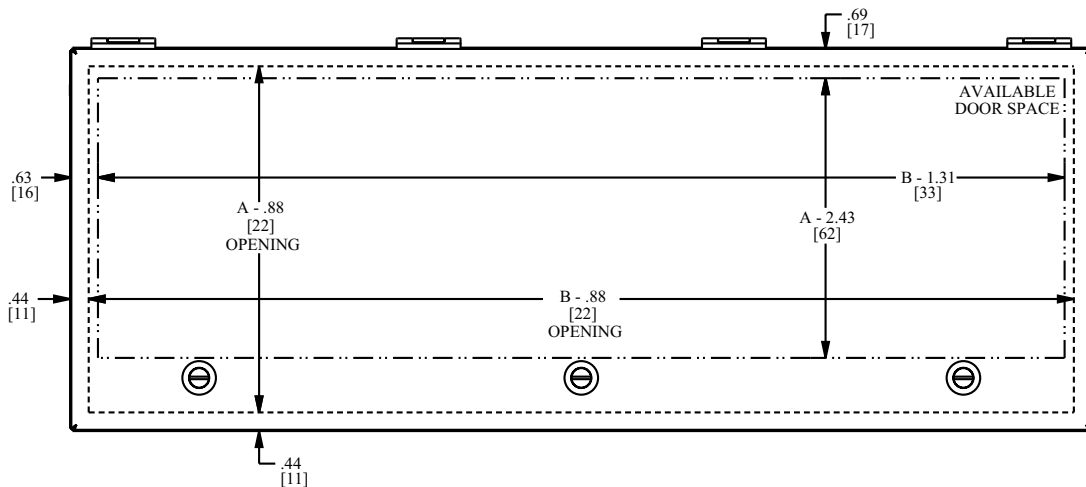
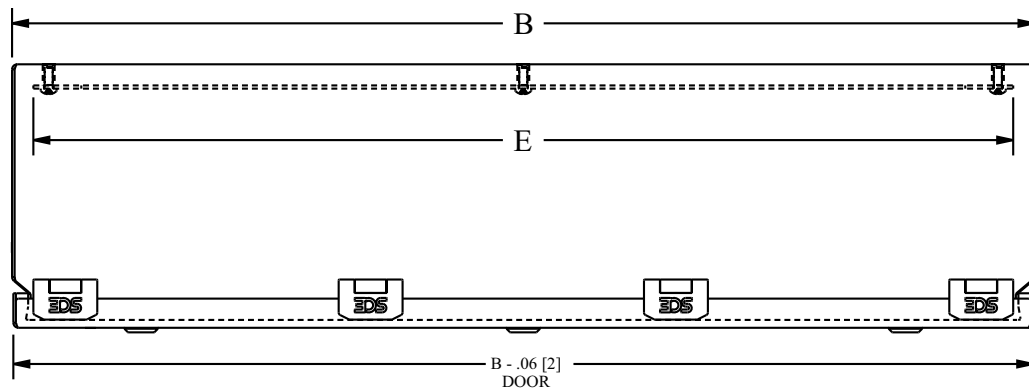
Enclosure Product Code E1

Sub-Panel (P3)

Catalog No.	Height (A)	Width (B)	Depth (C)	Industry Standard	Catalog No.	Panel Height (D)	Panel Width (E)
<a href="#">SCE-L9126ELJLG</a>	9.00	12.00	6.00	IS4	<a href="#">SCE-9P12L</a>	8.00	11.00
<a href="#">SCE-L9128ELJLG</a>	9.00	12.00	8.00	IS4	<a href="#">SCE-9P12L</a>	8.00	11.00
<a href="#">SCE-L9186ELJLG</a>	9.00	18.00	6.00	IS4	<a href="#">SCE-9P18L</a>	8.00	17.00
<a href="#">SCE-L9188ELJLG</a>	9.00	18.00	8.00	IS4	<a href="#">SCE-9P18L</a>	8.00	17.00
<a href="#">SCE-L9246ELJLG</a>	9.00	24.00	6.00	IS4	<a href="#">SCE-9P24L</a>	8.00	23.00
<a href="#">SCE-L9248ELJLG</a>	9.00	24.00	8.00	IS4	<a href="#">SCE-9P24L</a>	8.00	23.00
<a href="#">SCE-L9306ELJLG</a>	9.00	30.00	6.00	IS4	<a href="#">SCE-9P30L</a>	8.00	29.00
<a href="#">SCE-L9308ELJLG</a>	9.00	30.00	8.00	IS4	<a href="#">SCE-9P30L</a>	8.00	29.00
<a href="#">SCE-L9366ELJLG</a>	9.00	36.00	6.00	IS4	<a href="#">SCE-9P36L</a>	8.00	35.00
<a href="#">SCE-L9368ELJLG</a>	9.00	36.00	8.00	IS4	<a href="#">SCE-9P36L</a>	8.00	35.00

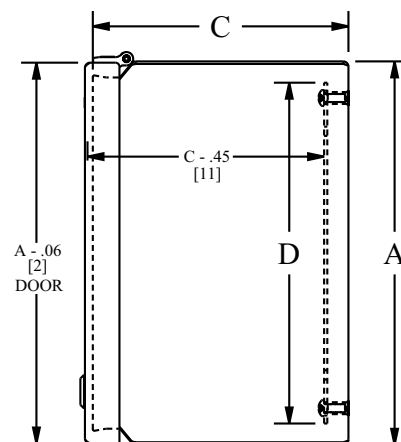


# ENVIROLINE® SERIES TROUGH JUNCTION ENCLOSURES TECHNICAL DATA



### LATCH NOTES:

1. One latch centered on the door horizontally if width is  $\leq 14.00 [356]$
2. Two latches located  $3.00 [76]$  from sides of door if width is  $> 14.00 [356]$
3. An additional latch is centered horizontally if width is  $> 20.00 [508]$



# ENVIROLINE® SERIES TROUGH JUNCTION ENCLOSURES WITH VIEWING WINDOW

## Application

Designed to house electrical controls, instruments and components used in an indoor or outdoor environment to provide a degree of protection for the equipment inside the enclosure against ingress of solid foreign objects (falling dirt); and provide a degree of protection with respect to the harmful effects on the equipment due to the ingress of water (rain, sleet, snow). For installation information, consult our installation manual at [www.saginawcontrol.com](http://www.saginawcontrol.com).

## Construction

- 0.063" carbon steel.
- Seams continuously welded and ground smooth.
- Flange trough collar around all sides of door opening.
- Pour in place oil and water resistant gasket.
- Standoffs provided for mounting optional sub-panels.
- Removable hinges.
- Doors open 180 degrees.
- Black mini quarter turn latches.
- Latches are opened or closed with a screwdriver.
- Sealing washers and hole plugs included.
- Ground stud on door and body.
- Mounting feet included.
- Padlocking or keylocking latches, and tamper-resistant hardware are available.
- 0.25" Polycarbonate viewing window

## Finish

ANSI-61 gray powder coated inside and out.

Optional sub-panels powder coated white.

## Notes

Recommend use as Type 3R rating in full outdoor exposure and extreme weather environments.

For more details see *Design Considerations* on our website.

## IS4 Industry Standards

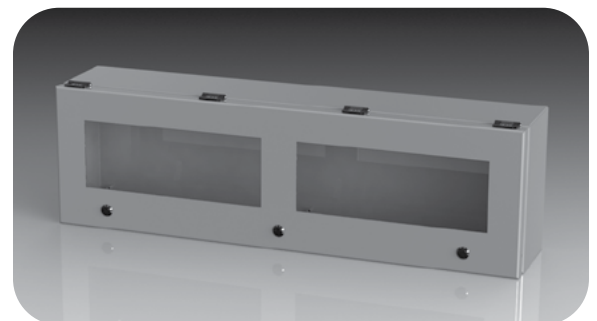
NEMA Type 3R, 4, 12 & Type 13  
 UL Listed Type 3R, 4 & 12  
 CSA Type 3R, 4 & 12  
 IEC 60529 IP66

\*\*\*To maintain Type 3R listing, drainage is required. Install equally rated drainage device or drill a 1/8 to 1/4 inch hole in the bottom center of the enclosure, approximately 1 inch from the right, and 1 inch from the left for drainage, use listed rain-tight or wet location hubs. Drip shield over the door is recommended for all outdoor applications.

Enclosure Product Code E1

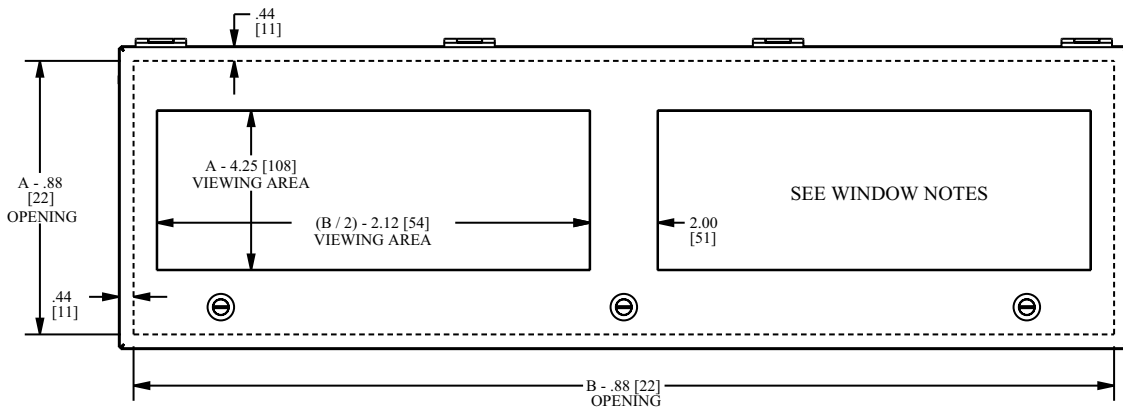
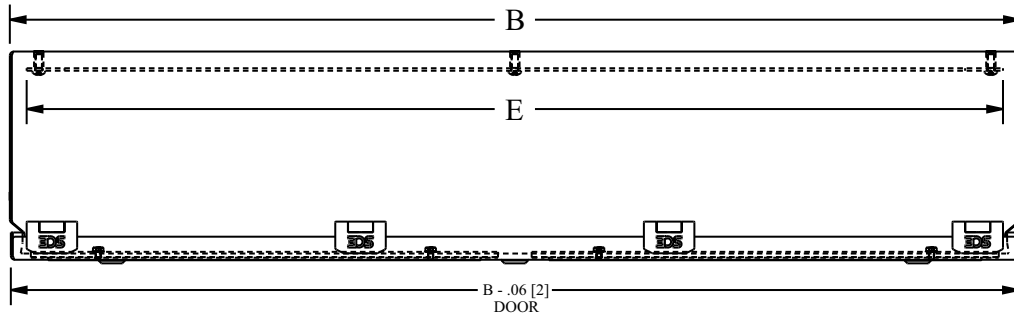
Sub-Panel (P3)

Catalog No.	Height (A)	Width (B)	Depth (C)	Industry Standard	Catalog No.	Panel Height (D)	Panel Width (E)
<a href="#">SCE-L9126ELJW</a>	9.00	12.00	6.00	IS4	<a href="#">SCE-9P12L</a>	8.00	11.00
<a href="#">SCE-L9128ELJW</a>	9.00	12.00	8.00	IS4	<a href="#">SCE-9P12L</a>	8.00	11.00
<a href="#">SCE-L9186ELJW</a>	9.00	18.00	6.00	IS4	<a href="#">SCE-9P18L</a>	8.00	17.00
<a href="#">SCE-L9188ELJW</a>	9.00	18.00	8.00	IS4	<a href="#">SCE-9P18L</a>	8.00	17.00
<a href="#">SCE-L9246ELJW</a>	9.00	24.00	6.00	IS4	<a href="#">SCE-9P24L</a>	8.00	23.00
<a href="#">SCE-L9248ELJW</a>	9.00	24.00	8.00	IS4	<a href="#">SCE-9P24L</a>	8.00	23.00
<a href="#">SCE-L9306ELJW</a>	9.00	30.00	6.00	IS4	<a href="#">SCE-9P30L</a>	8.00	29.00
<a href="#">SCE-L9308ELJW</a>	9.00	30.00	8.00	IS4	<a href="#">SCE-9P30L</a>	8.00	29.00
<a href="#">SCE-L9366ELJW</a>	9.00	36.00	6.00	IS4	<a href="#">SCE-9P36L</a>	8.00	35.00
<a href="#">SCE-L9368ELJW</a>	9.00	36.00	8.00	IS4	<a href="#">SCE-9P36L</a>	8.00	35.00



# ENVIROLINE® SERIES TROUGH JUNCTION ENCLOSURES WITH VIEWING WINDOW

## TECHNICAL DATA

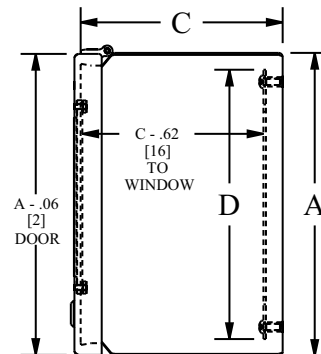


### LATCH NOTES:

1. One latch centered on the door horizontally if width is  $\leq 14.00 [356]$
2. Two latches located  $3.00 [76]$  from sides of door if width is  $> 14.00 [356]$
3. An additional latch is centered horizontally if width is  $> 20.00 [508]$

### WINDOW NOTES:

1. Door has a single window when viewing area width is  $\leq 16.00 [406]$ .
2. Door has two windows if viewing area width would be  $> 16.00 [406]$  for a single window.



# CONTINUOUS HINGE ENCLOSURES

## Application

Designed for use as electrical junction boxes, terminal wiring boxes, instrument housings, and electrical control enclosures. Provides protection from dust, dirt, oil and water. For installation information, consult our installation manual at [www.saginawcontrol.com](http://www.saginawcontrol.com).

## Construction

- 0.063" carbon steel.
- Seams continuously welded and ground smooth, no holes or knockouts.
- Bolt-on continuous hinge with stainless steel pin.
- Stainless steel external screw clamps are quick and easy to operate.
- Pour in place oil and water resistant gasket.
- Standoffs provided for mounting optional sub-panels.
- Welded mounting provision top and bottom of back.
- Ground stud on door and body.

## Finish

ANSI-61 gray powder coated inside and out.  
Optional sub-panels powder coated white.

## IS4 Industry Standards

NEMA Type 3R, 4, 12 & Type 13  
UL Listed Type 3R, 4 & 12  
CSA Type 3R, 4 & 12  
IEC 60529 IP66

\*\*\*To maintain Type 3R listing, drainage is required. Install equally rated drainage device or drill a 1/8 to 1/4 inch hole in the bottom center of the enclosure, approximately 1 inch from the right, and 1 inch from the left for drainage, use listed rain-tight or wet location hubs. Drip shield over the door is recommended for all outdoor applications.



### Enclosure Product Code A1

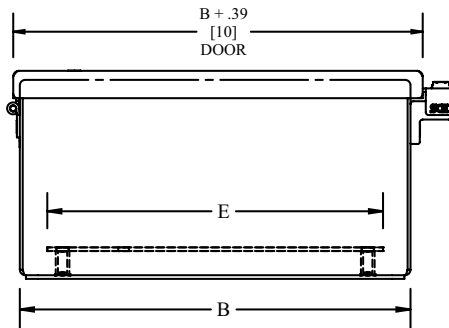
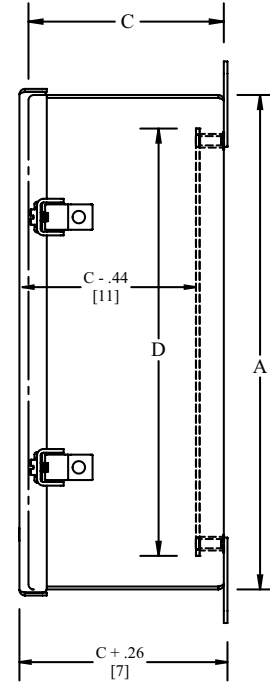
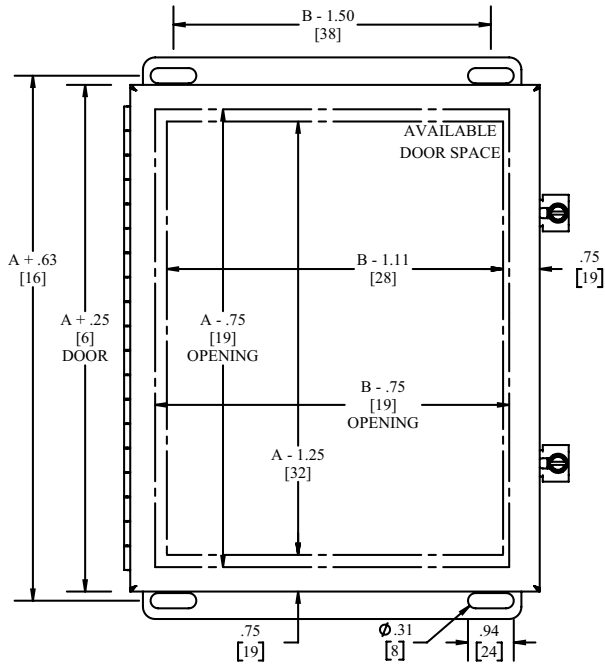
### Sub-Panel (P3)

Catalog No.	Height (A)	Width (B)	Depth (C)	Industry Standard	Catalog No.	Panel Height (D)	Panel Width (E)
<a href="#">SCE-404CHNF</a>	4.13	4.00	3.00	IS4	No Panel		
<a href="#">SCE-4044CHNF</a>	4.13	4.00	4.00	IS4	No Panel		
<a href="#">SCE-604CHNF</a>	6.13	4.00	3.00	IS4	<a href="#">SCE-6P4</a>	5.00	3.00
<a href="#">SCE-6044CHNF</a>	6.13	4.00	4.00	IS4	<a href="#">SCE-6P4</a>	5.00	3.00
<a href="#">SCE-606CHNF</a>	6.13	6.00	4.00	IS4	<a href="#">SCE-6P6</a>	5.00	5.00
<a href="#">SCE-806CHNF</a>	8.13	6.00	3.50	IS4	<a href="#">SCE-8P6</a>	7.00	5.00
<a href="#">SCE-8066CHNF</a>	8.13	6.00	6.00	IS4	<a href="#">SCE-8P6</a>	7.00	5.00
<a href="#">SCE-808CHNF</a>	8.13	8.00	4.00	IS4	<a href="#">SCE-8P8</a>	7.00	7.00
<a href="#">SCE-8086CHNF</a>	8.13	8.00	6.00	IS4	<a href="#">SCE-8P8</a>	7.00	7.00
<a href="#">SCE-1008CHNF</a>	10.13	8.00	4.00	IS4	<a href="#">SCE-10P8</a>	9.00	7.00
<a href="#">SCE-1008CHSNF</a>	10.13	8.00	4.00	IS4	<a href="#">SCE-10P8</a>	9.00	7.00
<a href="#">SCE-10086CHNF</a>	10.13	8.00	6.00	IS4	<a href="#">SCE-10P8</a>	9.00	7.00
<a href="#">SCE-10106CHNF</a>	10.13	10.00	6.00	IS4	<a href="#">SCE-10P10</a>	9.00	9.00
<a href="#">SCE-12064CHNF</a>	12.13	6.00	4.00	IS4	<a href="#">SCE-12P6</a>	11.00	5.00
<a href="#">SCE-1210CHNF</a>	12.13	10.00	5.00	IS4	<a href="#">SCE-12P10</a>	11.00	9.00
<a href="#">SCE-1210CHSNF</a>	12.13	10.00	5.00	IS4	<a href="#">SCE-12P10</a>	11.00	9.00
<a href="#">SCE-12106CHNF</a>	12.13	10.00	6.00	IS4	<a href="#">SCE-12P10</a>	11.00	9.00
<a href="#">SCE-12108CHNF</a>	12.13	10.00	8.00	IS4	<a href="#">SCE-12P10</a>	11.00	9.00
<a href="#">SCE-1212CHNF</a>	12.13	12.00	6.00	IS4	<a href="#">SCE-12P12</a>	11.00	11.00
<a href="#">SCE-14086CHNF</a>	14.13	8.00	6.00	IS4	<a href="#">SCE-14P8</a>	13.00	7.00
<a href="#">SCE-1412CHNF</a>	14.13	12.00	6.00	IS4	<a href="#">SCE-14P12</a>	13.00	11.00
<a href="#">SCE-1412CHSNF</a>	14.13	12.00	6.00	IS4	<a href="#">SCE-14P12</a>	13.00	11.00
<a href="#">SCE-14128CHNF</a>	14.13	12.00	8.00	IS4	<a href="#">SCE-14P12</a>	13.00	11.00
<a href="#">SCE-16106CHNF</a>	16.13	10.00	6.00	IS4	<a href="#">SCE-16P10</a>	15.00	9.00
<a href="#">SCE-1614CHNF</a>	16.13	14.00	6.00	IS4	<a href="#">SCE-16P14</a>	15.00	13.00
<a href="#">SCE-1614CHSNF</a>	16.13	14.00	6.00	IS4	<a href="#">SCE-16P14</a>	15.00	13.00
<a href="#">SCE-16148CHNF</a>	16.13	14.00	8.00	IS4	<a href="#">SCE-16P14</a>	15.00	13.00
<a href="#">SCE-161410CHNF</a>	16.13	14.00	10.00	IS4	<a href="#">SCE-16P14</a>	15.00	13.00

Catalog Numbers containing an "S" are hinged on the short side.

# CONTINUOUS HINGE ENCLOSURES

## TECHNICAL DATA



NOTE:  
SUB-PANEL SOLD SEPARATELY.

CLAMPING NOTE:  
ENCLOSURES < 10.00 [254] IN HEIGHT REQUIRE  
ONE CLAMP CENTERED VERTICALLY ON DOOR.

# SCREW COVER ENCLOSURES

## Application

Designed for use as electrical junction boxes, terminal wiring boxes, instrument housings, and electrical control enclosures. Provides protection from dust, dirt, oil and water. For installation information, consult our installation manual at [www.saginawcontrol.com](http://www.saginawcontrol.com).

## Construction

- 0.063" carbon steel.
- Seams continuously welded and ground smooth, no holes or knockouts.
- Captivated cover screws thread into sealed wells.
- Pour in place oil and water resistant gasket.
- Standoffs provided for mounting optional sub-panels.

## Finish

ANSI-61 gray powder coated inside and out.

Optional sub-panels powder coated white.

## IS4 Industry Standards

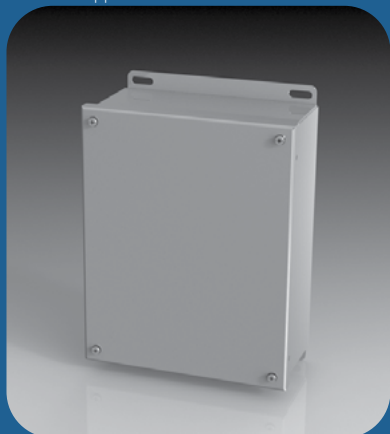
NEMA Type 3R, 4, 12 & Type 13

UL Listed Type 3R, 4 & 12

CSA Type 3R, 4 & 12

IEC 60529 IP66

\*\*\*To maintain Type 3R listing, drainage is required. Install equally rated drainage device or drill a 1/8 to 1/4 inch hole in the bottom center of the enclosure, approximately 1 inch from the right, and 1 inch from the left for drainage, use listed rain-tight or wet location hubs. Drip shield over the door is recommended for all outdoor applications.



Enclosure Product Code A1

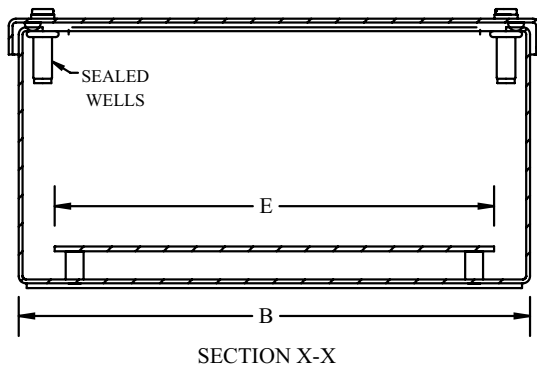
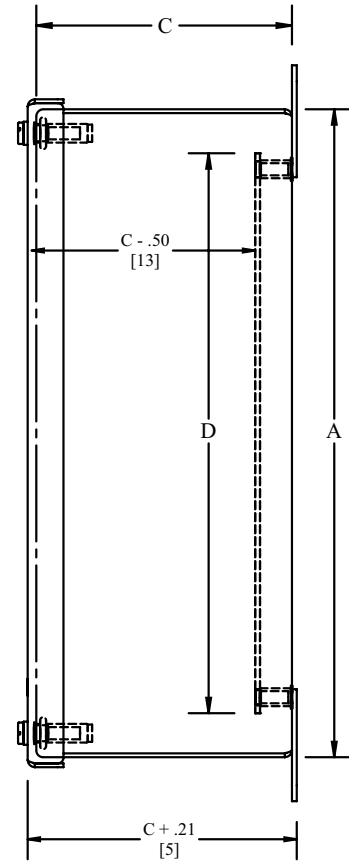
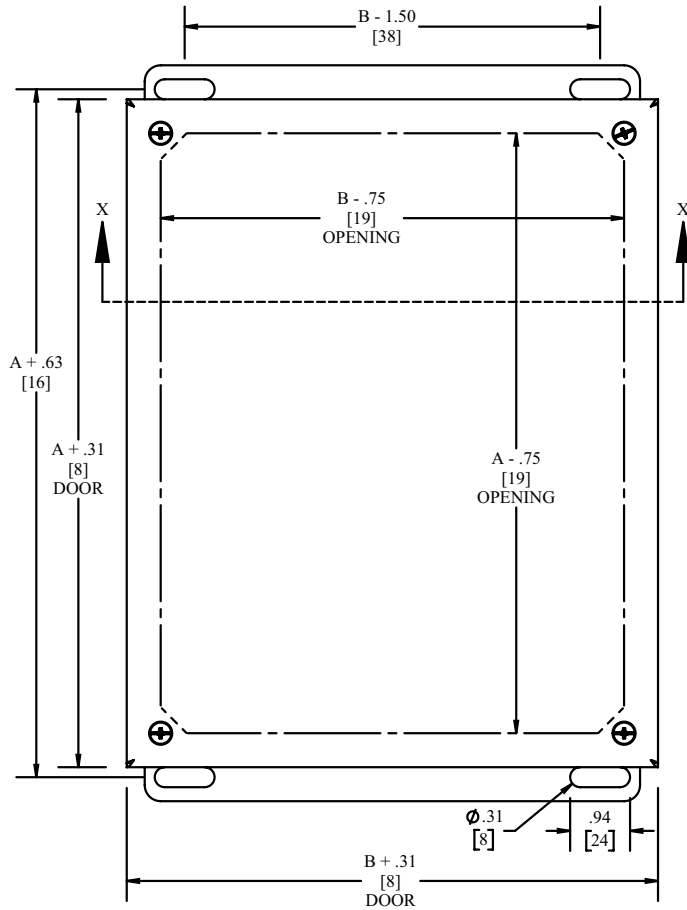
Sub-Panel (P3)

Catalog No.	Height (A)	Width (B)	Depth (C)	Industry Standard	Catalog No.	Panel Height (D)	Panel Width (E)
<a href="#">SCE-404SC</a>	4.13	4.00	3.00	IS4	No Panel		
<a href="#">SCE-4044SC</a>	4.13	4.00	4.00	IS4	No Panel		
<a href="#">SCE-604SC</a>	6.13	4.00	3.00	IS4	<a href="#">SCE-6P4</a>	5.00	3.00
<a href="#">SCE-6044SC</a>	6.13	4.00	4.00	IS4	<a href="#">SCE-6P4</a>	5.00	3.00
<a href="#">SCE-606SC</a>	6.13	6.00	4.00	IS4	<a href="#">SCE-6P6</a>	5.00	5.00
<a href="#">SCE-806SC</a>	8.13	6.00	3.50	IS4	<a href="#">SCE-8P6</a>	7.00	5.00
<a href="#">SCE-8066SC</a>	8.13	6.00	6.00	IS4	<a href="#">SCE-8P6</a>	7.00	5.00
<a href="#">SCE-808SC</a>	8.13	8.00	4.00	IS4	<a href="#">SCE-8P8</a>	7.00	7.00
<a href="#">SCE-1008SC</a>	10.13	8.00	4.00	IS4	<a href="#">SCE-10P8</a>	9.00	7.00
<a href="#">SCE-10086SC</a>	10.13	8.00	6.00	IS4	<a href="#">SCE-10P8</a>	9.00	7.00
<a href="#">SCE-1010SC</a>	10.13	10.00	4.00	IS4	<a href="#">SCE-10P10</a>	9.00	9.00
<a href="#">SCE-10106SC</a>	10.13	10.00	6.00	IS4	<a href="#">SCE-10P10</a>	9.00	9.00
<a href="#">SCE-1210SC</a>	12.13	10.00	5.00	IS4	<a href="#">SCE-12P10</a>	11.00	9.00
<a href="#">SCE-121010SC</a>	12.13	10.00	10.00	IS4	<a href="#">SCE-12P10</a>	11.00	9.00
<a href="#">SCE-1212SC</a>	12.13	12.00	6.00	IS4	<a href="#">SCE-12P12</a>	11.00	11.00
<a href="#">SCE-1412SC</a>	14.13	12.00	6.00	IS4	<a href="#">SCE-14P12</a>	13.00	11.00
<a href="#">SCE-1614SC</a>	16.13	14.00	6.00	IS4	<a href="#">SCE-16P14</a>	15.00	13.00



# SCREW COVER ENCLOSURES

## TECHNICAL DATA



NOTE:  
SUB-PANEL SOLD SEPARATELY

Enclosure Product Code E3

Sub-Panel (P3)

## Application

Designed to house electrical and electronic controls, instruments and components. Provides protection from dust, oil and water. For outdoor applications a drip shield is recommended. For installation information, consult our installation manual at [www.saginawcontrol.com](http://www.saginawcontrol.com).

## Construction

- 0.075" carbon steel.
- Seams continuously welded and ground smooth.
- Flange trough collar around all sides of door opening.
- Pour in place oil and water resistant gasket.
- Collar studs provided for mounting optional sub-panels.
- Concealed hinges.
- Removable and interchangeable doors.
- Black quarter turn latches.
- Latches are opened or closed with a screwdriver.
- Mounting holes in back of enclosure.
- Mounting hardware, sealing washers and hole plugs included.
- Removable print pocket furnished if height and width of enclosure is greater than 12".
- Ground studs on door and body.
- Provision for Lifting Lugs included on enclosures with Height >48" and with Depth >16". Lifting Lug assembly included with the enclosure bolt pack.

## Finish

ANSI-61 gray powder coated inside and out.  
Optional sub-panels powder coated white.

## Options

- Optional tamper-resistant inserts available.
- Optional mounting feet available.
- Door hardware available.

## Notes

Interchangeable latches and handles available in the accessory section.

## IS4 Industry Standards

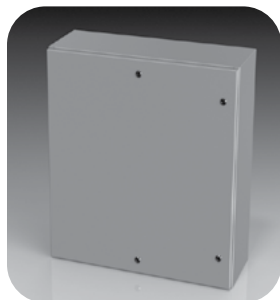
NEMA Type 3R, 4, 12 & Type 13  
UL Listed Type 3R, 4 & 12  
CSA Type 3R, 4 & 12  
IEC 60529 IP66

\*\*\*To maintain Type 3R listing, drainage is required. Install equally rated drainage device or drill a 1/8 to 1/4 inch hole in the bottom center of the enclosure, approximately 1 inch from the right, and 1 inch from the left for drainage, use listed rain-tight or wet location hubs. Drip shield over the door is recommended for all outdoor applications.

Catalog No.	Height (A)	Width (B)	Depth (C)	Industry Standard	Catalog No.	Panel Height (D)	Panel Width (E)
<a href="#">SCE-12EL1206LP</a>	12.00	12.00	6.00	IS4	SCE-12DLP12	9.00	9.00
<a href="#">SCE-12EL2406LP</a>	12.00	24.00	6.00	IS4	SCE-12P24	9.00	21.00
<a href="#">SCE-12EL2408LP</a>	12.00	24.00	8.00	IS4	SCE-12P24	9.00	21.00
<a href="#">SCE-16EL1206LP</a>	16.00	12.00	6.00	IS4	SCE-16P12	13.00	9.00
<a href="#">SCE-16EL1208LP</a>	16.00	12.00	8.00	IS4	SCE-16P12	13.00	9.00
<a href="#">SCE-16EL1408LP</a>	16.00	14.00	8.00	IS4	SCE-16DLP14	13.00	11.00
<a href="#">SCE-16EL1606LP</a>	16.00	16.00	6.00	IS4	SCE-16P16	13.00	13.00
<a href="#">SCE-16EL1608LP</a>	16.00	16.00	8.00	IS4	SCE-16P16	13.00	13.00
<a href="#">SCE-16EL2006LP</a>	16.00	20.00	6.00	IS4	SCE-20P16	17.00	13.00
<a href="#">SCE-16EL2008LP</a>	16.00	20.00	8.00	IS4	SCE-20P16	17.00	13.00
<a href="#">SCE-20EL1206LP</a>	20.00	12.00	6.00	IS4	SCE-20P12	17.00	9.00
<a href="#">SCE-20EL1606LP</a>	20.00	16.00	6.00	IS4	SCE-20P16	17.00	13.00
<a href="#">SCE-20EL1608LP</a>	20.00	16.00	8.00	IS4	SCE-20P16	17.00	13.00
<a href="#">SCE-20EL1610LP</a>	20.00	16.00	10.00	IS4	SCE-20P16	17.00	13.00
<a href="#">SCE-20EL1612LP</a>	20.00	16.00	12.00	IS4	SCE-20P16	17.00	13.00
<a href="#">SCE-20EL2006LP</a>	20.00	20.00	6.00	IS4	SCE-20P20	17.00	17.00
<a href="#">SCE-20EL2008LP</a>	20.00	20.00	8.00	IS4	SCE-20P20	17.00	17.00
<a href="#">SCE-20EL2010LP</a>	20.00	20.00	10.00	IS4	SCE-20P20	17.00	17.00
<a href="#">SCE-20EL2012LP</a>	20.00	20.00	12.00	IS4	SCE-20P20	17.00	17.00
<a href="#">SCE-20EL2408LP</a>	20.00	24.00	8.00	IS4	SCE-24P20	21.00	17.00
<a href="#">SCE-24EL1206LP</a>	24.00	12.00	6.00	IS4	SCE-12P24	9.00	21.00
<a href="#">SCE-24EL1606LP</a>	24.00	16.00	6.00	IS4	SCE-24P16	21.00	13.00
<a href="#">SCE-24EL1608LP</a>	24.00	16.00	8.00	IS4	SCE-24P16	21.00	13.00
<a href="#">SCE-24EL2006LP</a>	24.00	20.00	6.00	IS4	SCE-24P20	21.00	17.00
<a href="#">SCE-24EL2008LP</a>	24.00	20.00	8.00	IS4	SCE-24P20	21.00	17.00
<a href="#">SCE-24EL2010LP</a>	24.00	20.00	10.00	IS4	SCE-24P20	21.00	17.00
<a href="#">SCE-24EL2012LP</a>	24.00	20.00	12.00	IS4	SCE-24P20	21.00	17.00
<a href="#">SCE-24EL2016LP</a>	24.00	20.00	16.00	IS4	SCE-24P20	21.00	17.00
<a href="#">SCE-24EL2406LP</a>	24.00	24.00	6.00	IS4	SCE-24P24	21.00	21.00
<a href="#">SCE-24EL2408LP</a>	24.00	24.00	8.00	IS4	SCE-24P24	21.00	21.00
<a href="#">SCE-24EL2410LP</a>	24.00	24.00	10.00	IS4	SCE-24P24	21.00	21.00
<a href="#">SCE-24EL2412LP</a>	24.00	24.00	12.00	IS4	SCE-24P24	21.00	21.00
<a href="#">SCE-24EL2416LP</a>	24.00	24.00	16.00	IS4	SCE-24P24	21.00	21.00
<a href="#">SCE-24EL3008LP</a>	24.00	30.00	8.00	IS4	SCE-30P24	27.00	21.00
<a href="#">SCE-24EL3010LP</a>	24.00	30.00	10.00	IS4	SCE-30P24	27.00	21.00
<a href="#">SCE-24EL3012LP</a>	24.00	30.00	12.00	IS4	SCE-30P24	27.00	21.00
<a href="#">SCE-30EL1606LP</a>	30.00	16.00	6.00	IS4	SCE-30P16	27.00	13.00
<a href="#">SCE-30EL2008LP</a>	30.00	20.00	8.00	IS4	SCE-30P20	27.00	17.00
<a href="#">SCE-30EL2010LP</a>	30.00	20.00	10.00	IS4	SCE-30P20	27.00	17.00
<a href="#">SCE-30EL2406LP</a>	30.00	24.00	6.00	IS4	SCE-30P24	27.00	21.00
<a href="#">SCE-30EL2408LP</a>	30.00	24.00	8.00	IS4	SCE-30P24	27.00	21.00
<a href="#">SCE-30EL2410LP</a>	30.00	24.00	10.00	IS4	SCE-30P24	27.00	21.00
<a href="#">SCE-30EL2412LP</a>	30.00	24.00	12.00	IS4	SCE-30P24	27.00	21.00
<a href="#">SCE-30EL2416LP</a>	30.00	24.00	16.00	IS4	SCE-30P24	27.00	21.00
<a href="#">SCE-30EL2420LP</a>	30.00	24.00	20.00	IS4	SCE-30P24	27.00	21.00
<a href="#">SCE-30EL2424LP</a>	30.00	24.00	24.00	IS4	SCE-30P24	27.00	21.00
<a href="#">SCE-30EL3008LP</a>	30.00	30.00	8.00	IS4	SCE-30P30	27.00	27.00
<a href="#">SCE-30EL3010LP</a>	30.00	30.00	10.00	IS4	SCE-30P30	27.00	27.00
<a href="#">SCE-30EL3012LP</a>	30.00	30.00	12.00	IS4	SCE-30P30	27.00	27.00
<a href="#">SCE-30EL3608LP</a>	30.00	36.00	8.00	IS4	SCE-36P30	33.00	27.00
<a href="#">SCE-30EL3610LP</a>	30.00	36.00	10.00	IS4	SCE-36P30	33.00	27.00
<a href="#">SCE-36EL2408LP</a>	36.00	24.00	8.00	IS4	SCE-36P24	33.00	21.00

# ENVIROLINE<sup>®</sup> SERIES SINGLE-DOOR ENCLOSURES

Enclosure Product Code E3					Sub-Panel (P3)		
Catalog No.	Height (A)	Width (B)	Depth (C)	Industry Standard	Catalog No.	Panel Height (D)	Panel Width (E)
<a href="#">SCE-36EL2410LP</a>	36.00	24.00	10.00	IS4	SCE-36P24	33.00	21.00
<a href="#">SCE-36EL2412LP</a>	36.00	24.00	12.00	IS4	SCE-36P24	33.00	21.00
<a href="#">SCE-36EL2416LP</a>	36.00	24.00	16.00	IS4	SCE-36P24	33.00	21.00
<a href="#">SCE-36EL3008LP</a>	36.00	30.00	8.00	IS4	SCE-36P30	33.00	27.00
<a href="#">SCE-36EL3010LP</a>	36.00	30.00	10.00	IS4	SCE-36P30	33.00	27.00
<a href="#">SCE-36EL3012LP</a>	36.00	30.00	12.00	IS4	SCE-36P30	33.00	27.00
<a href="#">SCE-36EL3016LP</a>	36.00	30.00	16.00	IS4	SCE-36P30	33.00	27.00
<a href="#">SCE-36EL3020LP</a>	36.00	30.00	20.00	IS4	SCE-36P30	33.00	27.00
<a href="#">SCE-36EL3608LP</a>	36.00	36.00	8.00	IS4	SCE-36P36	33.00	33.00
<a href="#">SCE-36EL3610LP</a>	36.00	36.00	10.00	IS4	SCE-36P36	33.00	33.00
<a href="#">SCE-36EL3612LP</a>	36.00	36.00	12.00	IS4	SCE-36P36	33.00	33.00
<a href="#">SCE-36EL3616LP</a>	36.00	36.00	16.00	IS4	SCE-36P36	33.00	33.00
<a href="#">SCE-40EL2412LP</a>	40.00	24.00	12.00	IS4	SCE-40P24	37.00	21.00
<a href="#">SCE-42EL2410LP</a>	42.00	24.00	10.00	IS4	SCE-42P24	39.00	21.00
<a href="#">SCE-42EL3008LP</a>	42.00	30.00	8.00	IS4	SCE-42P30	39.00	27.00
<a href="#">SCE-42EL3010LP</a>	42.00	30.00	10.00	IS4	SCE-42P30	39.00	27.00
<a href="#">SCE-42EL3012LP</a>	42.00	30.00	12.00	IS4	SCE-42P30	39.00	27.00
<a href="#">SCE-42EL3016LP</a>	42.00	30.00	16.00	IS4	SCE-42P30	39.00	27.00
<a href="#">SCE-42EL3608LP</a>	42.00	36.00	8.00	IS4	SCE-42P36	39.00	33.00
<a href="#">SCE-42EL3610LP</a>	42.00	36.00	10.00	IS4	SCE-42P36	39.00	33.00
<a href="#">SCE-42EL3612LP</a>	42.00	36.00	12.00	IS4	SCE-42P36	39.00	33.00
<a href="#">SCE-42EL3616LP</a>	42.00	36.00	16.00	IS4	SCE-42P36	39.00	33.00
<a href="#">SCE-48EL2408LP</a>	48.00	24.00	8.00	IS4	SCE-48P24	45.00	21.00
<a href="#">SCE-48EL2412LP</a>	48.00	24.00	12.00	IS4	SCE-48P24	45.00	21.00
<a href="#">SCE-48EL3008LP</a>	48.00	30.00	8.00	IS4	SCE-48P30	45.00	27.00
<a href="#">SCE-48EL3010LP</a>	48.00	30.00	10.00	IS4	SCE-48P30	45.00	27.00
<a href="#">SCE-48EL3012LP</a>	48.00	30.00	12.00	IS4	SCE-48P30	45.00	27.00
<a href="#">SCE-48EL3016LP</a>	48.00	30.00	16.00	IS4	SCE-48P30	45.00	27.00
<a href="#">SCE-48EL3608LP</a>	48.00	36.00	8.00	IS4	SCE-48P36	45.00	33.00
<a href="#">SCE-48EL3610LP</a>	48.00	36.00	10.00	IS4	SCE-48P36	45.00	33.00
<a href="#">SCE-48EL3612LP</a>	48.00	36.00	12.00	IS4	SCE-48P36	45.00	33.00
<a href="#">SCE-48EL3616LP</a>	48.00	36.00	16.00	IS4	SCE-48P36	45.00	33.00
<a href="#">SCE-48EL3620LP</a>	48.00	36.00	20.00	IS4	SCE-48P36	45.00	33.00
<a href="#">SCE-60EL2412LP</a>	60.00	24.00	12.00	IS4	SCE-60P24	57.00	21.00
<a href="#">SCE-60EL3608LP</a>	60.00	36.00	8.00	IS4	SCE-60P36	57.00	33.00
<a href="#">SCE-60EL3610LP</a>	60.00	36.00	10.00	IS4	SCE-60P36	57.00	33.00
<a href="#">SCE-60EL3612LP</a>	60.00	36.00	12.00	IS4	SCE-60P36	57.00	33.00
<a href="#">SCE-60EL3616LP</a>	60.00	36.00	16.00	IS4	SCE-60P36	57.00	33.00
<a href="#">SCE-60EL3620LP</a>	60.00	36.00	20.00	IS4	SCE-60P36	57.00	33.00
<a href="#">SCE-60EL3624LP</a>	60.00	36.00	24.00	IS4	SCE-60P36	57.00	33.00
<a href="#">SCE-72EL3012LP</a>	72.00	30.00	12.00	IS4	SCE-72P30	69.00	27.00
<a href="#">SCE-72EL3016LP</a>	72.00	30.00	16.00	IS4	SCE-72P30	69.00	27.00
<a href="#">SCE-72EL3024LP</a>	72.00	30.00	24.00	IS4	SCE-72P30	69.00	27.00
<a href="#">SCE-72EL3612LP</a>	72.00	36.00	12.00	IS4	SCE-72P36	69.00	33.00
<a href="#">SCE-72EL3616LP</a>	72.00	36.00	16.00	IS4	SCE-72P36	69.00	33.00
<a href="#">SCE-72EL3624LP</a>	72.00	36.00	24.00	IS4	SCE-72P36	69.00	33.00





Your Enclosure Source®

# ENVIROLINE® SERIES SINGLE-DOOR ENCLOSURES

## RAL 7035

Enclosure Product Code E3

Sub-Panel (P3)

### Application

Designed to house electrical and electronic controls, instruments and components. Provides protection from dust, oil and water. For outdoor applications a drip shield is recommended. For installation information, consult our installation manual at [www.saginawcontrol.com](http://www.saginawcontrol.com).

### Construction

- 0.075" carbon steel.
- Seams continuously welded and ground smooth.
- Flange trough collar around all sides of door opening.
- Pour in place oil and water resistant gasket.
- Collar studs provided for mounting optional sub-panels.
- Concealed hinges.
- Removable and interchangeable doors.
- Black quarter turn latches.
- Latches are opened or closed with a screwdriver.
- Mounting holes in back of enclosure.
- Mounting hardware, sealing washers and hole plugs included.
- Removable print pocket furnished if height and width of enclosure is greater than 12".
- Ground studs on door and body.
- Provision for Lifting Lugs included on enclosures with Height >48" and with Depth >16". Lifting Lug assembly included with the enclosure bolt pack.

### Finish

RAL 7035 gray powder coated inside and out. Optional sub-panels powder coated white.

### Options

- Optional tamper-resistant inserts available.
- Optional mounting feet available.
- Door hardware available.

### Notes

Interchangeable latches and handles available in the accessory section.

### IS4 Industry Standards

NEMA Type 3R, 4, 12 & Type 13  
 UL Listed Type 3R, 4 & 12  
 CSA Type 3R, 4 & 12  
 IEC 60529 IP66

\*\*\*To maintain Type 3R listing, drainage is required. Install equally rated drainage device or drill a 1/8 to 1/4 inch hole in the bottom center of the enclosure, approximately 1 inch from the right, and 1 inch from the left for drainage, use listed rain-tight or wet location hubs. Drip shield over the door is recommended for all outdoor applications.

Catalog No.	Height (A)	Width (B)	Depth (C)	Industry Standard	Catalog No.	Panel Height (D)	Panel Width (E)
<a href="#">SCE-12EL1206LPLG</a>	12.00	12.00	6.00	IS4	SCE-12DLP12	9.00	9.00
<a href="#">SCE-12EL2406LPLG</a>	12.00	24.00	6.00	IS4	SCE-12P24	9.00	21.00
<a href="#">SCE-12EL2408LPLG</a>	12.00	24.00	8.00	IS4	SCE-12P24	9.00	21.00
<a href="#">SCE-16EL1206LPLG</a>	16.00	12.00	6.00	IS4	SCE-16P12	13.00	9.00
<a href="#">SCE-16EL1208LPLG</a>	16.00	12.00	8.00	IS4	SCE-16P12	13.00	9.00
<a href="#">SCE-16EL1408LPLG</a>	16.00	14.00	8.00	IS4	SCE-16DLP14	13.00	11.00
<a href="#">SCE-16EL1606LPLG</a>	16.00	16.00	6.00	IS4	SCE-16P16	13.00	13.00
<a href="#">SCE-16EL1608LPLG</a>	16.00	16.00	8.00	IS4	SCE-16P16	13.00	13.00
<a href="#">SCE-16EL2006LPLG</a>	16.00	20.00	6.00	IS4	SCE-20P16	17.00	13.00
<a href="#">SCE-16EL2008LPLG</a>	16.00	20.00	8.00	IS4	SCE-20P16	17.00	13.00
<a href="#">SCE-20EL1206LPLG</a>	20.00	12.00	6.00	IS4	SCE-20P12	17.00	9.00
<a href="#">SCE-20EL1606LPLG</a>	20.00	16.00	6.00	IS4	SCE-20P16	17.00	13.00
<a href="#">SCE-20EL1608LPLG</a>	20.00	16.00	8.00	IS4	SCE-20P16	17.00	13.00
<a href="#">SCE-20EL1610LPLG</a>	20.00	16.00	10.00	IS4	SCE-20P16	17.00	13.00
<a href="#">SCE-20EL1612LPLG</a>	20.00	16.00	12.00	IS4	SCE-20P16	17.00	13.00
<a href="#">SCE-20EL2006LPLG</a>	20.00	20.00	6.00	IS4	SCE-20P20	17.00	17.00
<a href="#">SCE-20EL2008LPLG</a>	20.00	20.00	8.00	IS4	SCE-20P20	17.00	17.00
<a href="#">SCE-20EL2010LPLG</a>	20.00	20.00	10.00	IS4	SCE-20P20	17.00	17.00
<a href="#">SCE-20EL2012LPLG</a>	20.00	20.00	12.00	IS4	SCE-20P20	17.00	17.00
<a href="#">SCE-20EL2408LPLG</a>	20.00	24.00	8.00	IS4	SCE-24P20	21.00	17.00
<a href="#">SCE-24EL1206LPLG</a>	24.00	12.00	6.00	IS4	SCE-12P24	9.00	21.00
<a href="#">SCE-24EL1606LPLG</a>	24.00	16.00	6.00	IS4	SCE-24P16	21.00	13.00
<a href="#">SCE-24EL1608LPLG</a>	24.00	16.00	8.00	IS4	SCE-24P16	21.00	13.00
<a href="#">SCE-24EL2006LPLG</a>	24.00	20.00	6.00	IS4	SCE-24P20	21.00	17.00
<a href="#">SCE-24EL2008LPLG</a>	24.00	20.00	8.00	IS4	SCE-24P20	21.00	17.00
<a href="#">SCE-24EL2010LPLG</a>	24.00	20.00	10.00	IS4	SCE-24P20	21.00	17.00
<a href="#">SCE-24EL2012LPLG</a>	24.00	20.00	12.00	IS4	SCE-24P20	21.00	17.00
<a href="#">SCE-24EL2016LPLG</a>	24.00	20.00	16.00	IS4	SCE-24P20	21.00	17.00
<a href="#">SCE-24EL2406LPLG</a>	24.00	24.00	6.00	IS4	SCE-24P24	21.00	21.00
<a href="#">SCE-24EL2408LPLG</a>	24.00	24.00	8.00	IS4	SCE-24P24	21.00	21.00
<a href="#">SCE-24EL2410LPLG</a>	24.00	24.00	10.00	IS4	SCE-24P24	21.00	21.00
<a href="#">SCE-24EL2412LPLG</a>	24.00	24.00	12.00	IS4	SCE-24P24	21.00	21.00
<a href="#">SCE-24EL2416LPLG</a>	24.00	24.00	16.00	IS4	SCE-24P24	21.00	21.00
<a href="#">SCE-24EL3008LPLG</a>	24.00	30.00	8.00	IS4	SCE-30P24	27.00	21.00
<a href="#">SCE-24EL3010LPLG</a>	24.00	30.00	10.00	IS4	SCE-30P24	27.00	21.00
<a href="#">SCE-24EL3012LPLG</a>	24.00	30.00	12.00	IS4	SCE-30P24	27.00	21.00
<a href="#">SCE-30EL1606LPLG</a>	30.00	16.00	6.00	IS4	SCE-30P16	27.00	13.00
<a href="#">SCE-30EL2008LPLG</a>	30.00	20.00	8.00	IS4	SCE-30P20	27.00	17.00
<a href="#">SCE-30EL2010LPLG</a>	30.00	20.00	10.00	IS4	SCE-30P20	27.00	17.00
<a href="#">SCE-30EL2406LPLG</a>	30.00	24.00	6.00	IS4	SCE-30P24	27.00	21.00
<a href="#">SCE-30EL2408LPLG</a>	30.00	24.00	8.00	IS4	SCE-30P24	27.00	21.00
<a href="#">SCE-30EL2410LPLG</a>	30.00	24.00	10.00	IS4	SCE-30P24	27.00	21.00
<a href="#">SCE-30EL2412LPLG</a>	30.00	24.00	12.00	IS4	SCE-30P24	27.00	21.00
<a href="#">SCE-30EL2416LPLG</a>	30.00	24.00	16.00	IS4	SCE-30P24	27.00	21.00
<a href="#">SCE-30EL2420LPLG</a>	30.00	24.00	20.00	IS4	SCE-30P24	27.00	21.00
<a href="#">SCE-30EL2424LPLG</a>	30.00	24.00	24.00	IS4	SCE-30P24	27.00	21.00
<a href="#">SCE-30EL3008LPLG</a>	30.00	30.00	8.00	IS4	SCE-30P30	27.00	27.00
<a href="#">SCE-30EL3010LPLG</a>	30.00	30.00	10.00	IS4	SCE-30P30	27.00	27.00
<a href="#">SCE-30EL3012LPLG</a>	30.00	30.00	12.00	IS4	SCE-30P30	27.00	27.00
<a href="#">SCE-30EL3608LPLG</a>	30.00	36.00	8.00	IS4	SCE-36P30	33.00	27.00
<a href="#">SCE-36EL2408LPLG</a>	36.00	24.00	8.00	IS4	SCE-36P24	33.00	21.00

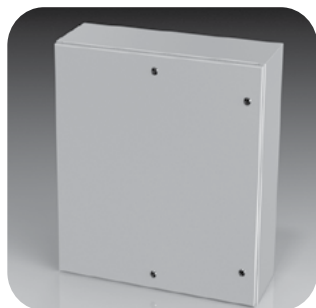
# ENVIROLINE® SERIES SINGLE-DOOR ENCLOSURES

## RAL 7035

Enclosure Product Code E3

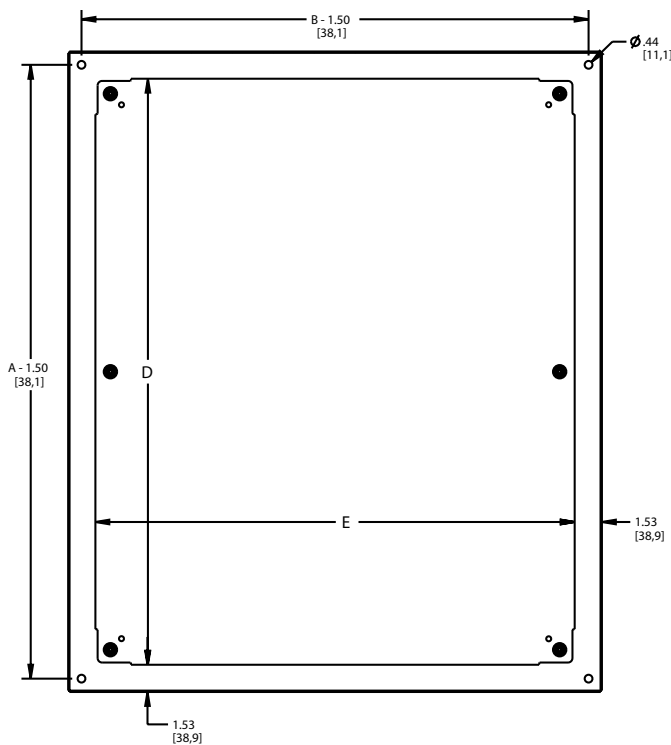
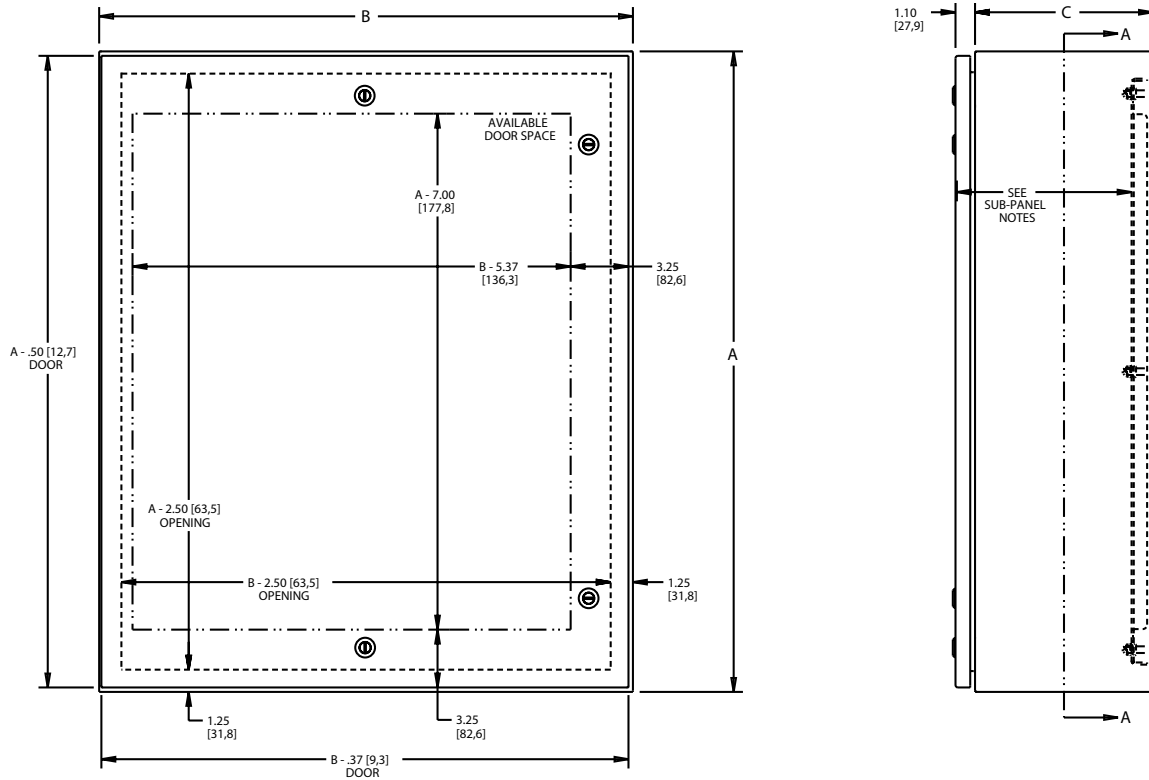
Sub-Panel (P3)

Catalog No.	Height (A)	Width (B)	Depth (C)	Industry Standard	Catalog No.	Panel Height (D)	Panel Width (E)
<a href="#">SCE-36EL2410LPLG</a>	36.00	24.00	10.00	IS4	SCE-36P24	33.00	21.00
<a href="#">SCE-36EL2412LPLG</a>	36.00	24.00	12.00	IS4	SCE-36P24	33.00	21.00
<a href="#">SCE-36EL2416LPLG</a>	36.00	24.00	16.00	IS4	SCE-36P24	33.00	21.00
<a href="#">SCE-36EL3008LPLG</a>	36.00	30.00	8.00	IS4	SCE-36P30	33.00	27.00
<a href="#">SCE-36EL3010LPLG</a>	36.00	30.00	10.00	IS4	SCE-36P30	33.00	27.00
<a href="#">SCE-36EL3012LPLG</a>	36.00	30.00	12.00	IS4	SCE-36P30	33.00	27.00
<a href="#">SCE-36EL3016LPLG</a>	36.00	30.00	16.00	IS4	SCE-36P30	33.00	27.00
<a href="#">SCE-36EL3020LPLG</a>	36.00	30.00	20.00	IS4	SCE-36P30	33.00	27.00
<a href="#">SCE-36EL3608LPLG</a>	36.00	36.00	8.00	IS4	SCE-36P36	33.00	33.00
<a href="#">SCE-36EL3610LPLG</a>	36.00	36.00	10.00	IS4	SCE-36P36	33.00	33.00
<a href="#">SCE-36EL3612LPLG</a>	36.00	36.00	12.00	IS4	SCE-36P36	33.00	33.00
<a href="#">SCE-36EL3616LPLG</a>	36.00	36.00	16.00	IS4	SCE-36P36	33.00	33.00
<a href="#">SCE-40EL2412LPLG</a>	40.00	24.00	12.00	IS4	SCE-40P24	37.00	21.00
<a href="#">SCE-42EL2410LPLG</a>	42.00	24.00	10.00	IS4	SCE-42P24	39.00	21.00
<a href="#">SCE-42EL3008LPLG</a>	42.00	30.00	8.00	IS4	SCE-42P30	39.00	27.00
<a href="#">SCE-42EL3010LPLG</a>	42.00	30.00	10.00	IS4	SCE-42P30	39.00	27.00
<a href="#">SCE-42EL3012LPLG</a>	42.00	30.00	12.00	IS4	SCE-42P30	39.00	27.00
<a href="#">SCE-42EL3016LPLG</a>	42.00	30.00	16.00	IS4	SCE-42P30	39.00	27.00
<a href="#">SCE-42EL3608LPLG</a>	42.00	36.00	8.00	IS4	SCE-42P36	39.00	33.00
<a href="#">SCE-42EL3610LPLG</a>	42.00	36.00	10.00	IS4	SCE-42P36	39.00	33.00
<a href="#">SCE-42EL3612LPLG</a>	42.00	36.00	12.00	IS4	SCE-42P36	39.00	33.00
<a href="#">SCE-42EL3616LPLG</a>	42.00	36.00	16.00	IS4	SCE-42P36	39.00	33.00
<a href="#">SCE-48EL2408LPLG</a>	48.00	24.00	8.00	IS4	SCE-48P24	45.00	21.00
<a href="#">SCE-48EL2412LPLG</a>	48.00	24.00	12.00	IS4	SCE-48P24	45.00	21.00
<a href="#">SCE-48EL3008LPLG</a>	48.00	30.00	8.00	IS4	SCE-48P30	45.00	27.00
<a href="#">SCE-48EL3010LPLG</a>	48.00	30.00	10.00	IS4	SCE-48P30	45.00	27.00
<a href="#">SCE-48EL3016LPLG</a>	48.00	30.00	16.00	IS4	SCE-48P30	45.00	27.00
<a href="#">SCE-48EL3608LPLG</a>	48.00	36.00	8.00	IS4	SCE-48P36	45.00	33.00
<a href="#">SCE-48EL3610LPLG</a>	48.00	36.00	10.00	IS4	SCE-48P36	45.00	33.00
<a href="#">SCE-48EL3612LPLG</a>	48.00	36.00	12.00	IS4	SCE-48P36	45.00	33.00
<a href="#">SCE-48EL3616LPLG</a>	48.00	36.00	16.00	IS4	SCE-48P36	45.00	33.00
<a href="#">SCE-48EL3620LPLG</a>	48.00	36.00	20.00	IS4	SCE-48P36	45.00	33.00
<a href="#">SCE-60EL2412LPLG</a>	60.00	24.00	12.00	IS4	SCE-60P24	57.00	21.00
<a href="#">SCE-60EL3608LPLG</a>	60.00	36.00	8.00	IS4	SCE-60P36	57.00	33.00
<a href="#">SCE-60EL3610LPLG</a>	60.00	36.00	10.00	IS4	SCE-60P36	57.00	33.00
<a href="#">SCE-60EL3612LPLG</a>	60.00	36.00	12.00	IS4	SCE-60P36	57.00	33.00
<a href="#">SCE-60EL3616LPLG</a>	60.00	36.00	16.00	IS4	SCE-60P36	57.00	33.00
<a href="#">SCE-60EL3620LPLG</a>	60.00	36.00	20.00	IS4	SCE-60P36	57.00	33.00
<a href="#">SCE-60EL3624LPLG</a>	60.00	36.00	24.00	IS4	SCE-60P36	57.00	33.00
<a href="#">SCE-72EL3012LPLG</a>	72.00	30.00	12.00	IS4	SCE-72P30	69.00	27.00
<a href="#">SCE-72EL3016LPLG</a>	72.00	30.00	16.00	IS4	SCE-72P30	69.00	27.00
<a href="#">SCE-72EL3024LPLG</a>	72.00	30.00	24.00	IS4	SCE-72P30	69.00	27.00
<a href="#">SCE-72EL3612LPLG</a>	72.00	36.00	12.00	IS4	SCE-72P36	69.00	33.00
<a href="#">SCE-72EL3616LPLG</a>	72.00	36.00	16.00	IS4	SCE-72P36	69.00	33.00
<a href="#">SCE-72EL3624LPLG</a>	72.00	36.00	24.00	IS4	SCE-72P36	69.00	33.00



# ENVIROLINE® SERIES SINGLE-DOOR ENCLOSURES

## TECHNICAL DATA



SECTION A-A

**SUB-PANEL NOTES:**  
 Dimensions are from the inside of the door  
 C + 0.32 [8,1] for flat sub-panels  
 C - 0.18 [4,5] for bent sub-panels

**LATCH NOTES:**  
 Enclosures < 24.00" [609,6] in height require only one latch centered on door.  
 Enclosures ≥ 24.00" [609,6] and < 40.00" [1016] in height require two latches on door.  
 Enclosures ≥ 40.00" [1016] require three latches on door.  
 Omit center latch top and bottom of door when door width is ≤ 30.00" [762]



Your Enclosure Source®

## ENVIROLINE® SERIES SINGLE-DOOR ENCLOSURES

**Enviroline® Series enclosures** are an all purpose enclosure with a durable powder coat finish or #4 brushed finish in 304 & 316/316L stainless steel.

Available in carbon steel and stainless steel.

Available in disconnect styles, as well as free-standing enclosures.

Enviroline® Series enclosures are NEMA 12/3R/4 or NEMA 12/3R/4/4X enclosures with quarter turn latches.

Enviroline® Series enclosures feature the exclusive SCE removable hinge which allows the door to swing open 180 degrees.

The SCE designed hinge can be removed by pulling the pin.

The doors are interchangeable.

Flange trough collar around door opening channels liquids away from the door.

Easy to install swing-out panel kits that mount to the concealed hinges.

The quarter turn latches can be replaced with a variety of latches, including wing knob, keylocking, padlocking, coinproof, and tamper resistant inserts.

Quarter turn latches can also be replaced with several handles, including chrome keylocking & padlocking, and the black 5" and 7" SCE handles, including keylocking, padlocking, and coinproof.

A 3-point latching system is available for enclosures over 40" high.

Holes in back of the enclosure for mounting or installing optional mounting foot kit (SCE-ELMFK4). A hole plug kit is included if holes are not needed.

# ENVIROLINE® SERIES SINGLE-DOOR ENCLOSURES WITH 3-POINT HARDWARE

## Application

Designed to house electrical and electronic controls, instrumentation and components in indoor or outdoor locations. For outdoor applications a drip shield is recommended. For installation information, consult our installation manual at [www.saginawcontrol.com](http://www.saginawcontrol.com).

## Construction

- 0.075" carbon steel.
- Seams continuously welded and ground smooth.
- Flange trough collar around all sides of door opening.
- Collar studs provided for mounting optional sub-panels.
- Mounting holes in back of the enclosure for wall-mounting.
- Mounting hardware, sealing washers and hole plugs included.
- Concealed hinges.
- Removable and interchangeable doors.
- Black zinc die cast keylocking/padlocking handles.
- 3-point latching mechanism.
- Black quarter turn latches as required.
- Removable print pocket.
- Oil and water resistant gasket.
- Ground stud on door and body.
- Provision for Lifting Lugs included on enclosures with Height >48" and with Depth >16". Lifting Lug assembly included with the enclosure bolt pack.

## Finish

ANSI-61 gray powder coated inside and out. Optional sub-panels powder coated white.

## IS4 Industry Standards

NEMA Type 3R, 4, 12 & Type 13  
 UL Listed Type 3R, 4 & 12  
 CSA Type 3R, 4 & 12  
 IEC 60529 IP66

\*\*\*To maintain Type 3R listing, drainage is required. Install equally rated drainage device or drill a 1/8 to 1/4 inch hole in the bottom center of the enclosure, approximately 1 inch from the right, and 1 inch from the left for drainage, use listed rain-tight or wet location hubs. Drip shield over the door is recommended for all outdoor applications.

Enclosure Product Code E3

Sub-Panel (P3)

Catalog No.	Height (A)	Width (B)	Depth (C)	Industry Standard	Catalog No.	Panel Height (D)	Panel Width (E)
<a href="#">SCE-24EL2010LPPL</a>	24.00	20.00	10.00	IS4	<a href="#">SCE-24P20</a>	21.00	17.00
<a href="#">SCE-24EL2410LPPL</a>	24.00	24.00	10.00	IS4	<a href="#">SCE-24P24</a>	21.00	21.00
<a href="#">SCE-30EL2412LPPL</a>	24.00	24.00	12.00	IS4	<a href="#">SCE-24P24</a>	21.00	21.00
<a href="#">SCE-30EL2410LPPL</a>	30.00	24.00	10.00	IS4	<a href="#">SCE-30P24</a>	27.00	21.00
<a href="#">SCE-30EL2412LPPL</a>	30.00	24.00	12.00	IS4	<a href="#">SCE-30P24</a>	27.00	21.00
<a href="#">SCE-30EL2416LPPL</a>	30.00	24.00	16.00	IS4	<a href="#">SCE-30P24</a>	27.00	21.00
<a href="#">SCE-30EL3012LPPL</a>	30.00	30.00	12.00	IS4	<a href="#">SCE-30P30</a>	27.00	27.00
<a href="#">SCE-36EL2412LPPL</a>	36.00	24.00	12.00	IS4	<a href="#">SCE-36P24</a>	33.00	21.00
<a href="#">SCE-36EL3012LPPL</a>	36.00	30.00	12.00	IS4	<a href="#">SCE-36P30</a>	33.00	27.00
<a href="#">SCE-36EL3612LPPL</a>	36.00	36.00	12.00	IS4	<a href="#">SCE-36P36</a>	33.00	33.00
<a href="#">SCE-42EL3612LPPL</a>	42.00	36.00	12.00	IS4	<a href="#">SCE-42P36</a>	39.00	33.00
<a href="#">SCE-48EL3612LPPL</a>	48.00	36.00	12.00	IS4	<a href="#">SCE-48P36</a>	45.00	33.00
<a href="#">SCE-48EL3616LPPL</a>	48.00	36.00	16.00	IS4	<a href="#">SCE-48P36</a>	45.00	33.00
<a href="#">SCE-60EL3612LPPL</a>	60.00	36.00	12.00	IS4	<a href="#">SCE-60P36</a>	57.00	33.00
<a href="#">SCE-60EL3616LPPL</a>	60.00	36.00	16.00	IS4	<a href="#">SCE-60P36</a>	57.00	33.00
<a href="#">SCE-60EL3624LPPL</a>	60.00	36.00	24.00	IS4	<a href="#">SCE-60P36</a>	57.00	33.00
<a href="#">SCE-72EL3624LPPL</a>	72.00	36.00	24.00	IS4	<a href="#">SCE-72P36</a>	69.00	33.00







# CLAMP FASTENED SINGLE-DOOR ENCLOSURES

## Application

Designed to house electrical and electronic controls, instruments, and components. Provides protection from dust, dirt, oil and water. For installation information, consult our installation manual at [www.saginawcontrol.com](http://www.saginawcontrol.com).

## Construction

- 0.075" carbon steel.
- Seams continuously welded and ground smooth, no holes or knockouts.
- Flange trough collar around all sides of door opening.
- Door clamps are quick and easy to operate.
- Concealed hinges.
- Hasp and staple for padlocking.
- Pour in place oil and water resistant gasket.
- Collar studs for mounting optional sub-panels.
- Ground stud on door and body.
- Removable print pocket furnished if height and width of enclosure is greater than 12".
- Bolt-on mounting provisions top and bottom of back.
- Provision for Lifting Lugs included on enclosures with Height >48" and with Depth >16". Lifting Lug assembly included with the enclosure bolt pack.

## Finish

ANSI-61 gray powder coated inside and out. Optional sub-panels powder coated white.

## IS4 Industry Standards

NEMA Type 3R, 4, 12 & Type 13  
 UL Listed Type 3R, 4 & 12  
 CSA Type 3R, 4 & 12  
 IEC 60529 IP66

\*\*\*To maintain Type 3R listing, drainage is required. Install equally rated drainage device or drill a 1/8 to 1/4 inch hole in the bottom center of the enclosure, approximately 1 inch from the right, and 1 inch from the left for drainage, use listed rain-tight or wet location hubs. Drip shield over the door is recommended for all outdoor applications.

Enclosure Product Code E3

Sub-Panel (P3)

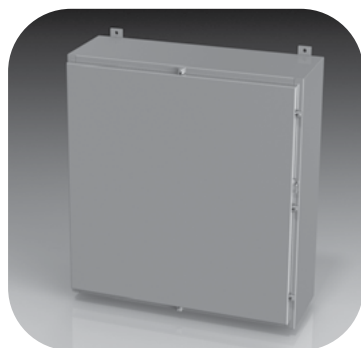
Catalog No.	Height (A)	Width (B)	Depth (C)	Industry Standard	Catalog No.	Panel Height (D)	Panel Width (E)
<a href="#">SCE-12H2406LP</a>	12.00	24.00	6.00	IS4	<a href="#">SCE-12P24</a>	9.00	21.00
<a href="#">SCE-12H2408LP</a>	12.00	24.00	8.00	IS4	<a href="#">SCE-12P24</a>	9.00	21.00
<a href="#">SCE-16H1206LP</a>	16.00	12.00	6.00	IS4	<a href="#">SCE-16P12</a>	13.00	9.00
<a href="#">SCE-16H1208LP</a>	16.00	12.00	8.00	IS4	<a href="#">SCE-16P12</a>	13.00	9.00
<a href="#">SCE-16H1210LP</a>	16.00	12.00	10.00	IS4	<a href="#">SCE-16P12</a>	13.00	9.00
<a href="#">SCE-16H1606LP</a>	16.00	16.00	6.00	IS4	<a href="#">SCE-16P16</a>	13.00	13.00
<a href="#">SCE-16H1608LP</a>	16.00	16.00	8.00	IS4	<a href="#">SCE-16P16</a>	13.00	13.00
<a href="#">SCE-16H2006LP</a>	16.00	20.00	6.00	IS4	<a href="#">SCE-20P16</a>	17.00	13.00
<a href="#">SCE-16H2008LP</a>	16.00	20.00	8.00	IS4	<a href="#">SCE-20P16</a>	17.00	13.00
<a href="#">SCE-20H1206LP</a>	20.00	12.00	6.00	IS4	<a href="#">SCE-20P12</a>	17.00	9.00
<a href="#">SCE-20H1208LP</a>	20.00	12.00	8.00	IS4	<a href="#">SCE-20P12</a>	17.00	9.00
<a href="#">SCE-20H1606LP</a>	20.00	16.00	6.00	IS4	<a href="#">SCE-20P16</a>	17.00	13.00
<a href="#">SCE-20H1608LP</a>	20.00	16.00	8.00	IS4	<a href="#">SCE-20P16</a>	17.00	13.00
<a href="#">SCE-20H1610LP</a>	20.00	16.00	10.00	IS4	<a href="#">SCE-20P16</a>	17.00	13.00
<a href="#">SCE-20H1612LP</a>	20.00	16.00	12.00	IS4	<a href="#">SCE-20P16</a>	17.00	13.00
<a href="#">SCE-20H2006LP</a>	20.00	20.00	6.00	IS4	<a href="#">SCE-20P20</a>	17.00	17.00
<a href="#">SCE-20H2008LP</a>	20.00	20.00	8.00	IS4	<a href="#">SCE-20P20</a>	17.00	17.00
<a href="#">SCE-20H2010LP</a>	20.00	20.00	10.00	IS4	<a href="#">SCE-20P20</a>	17.00	17.00
<a href="#">SCE-20H2406LP</a>	20.00	24.00	6.00	IS4	<a href="#">SCE-24P20</a>	21.00	17.00
<a href="#">SCE-20H2408LP</a>	20.00	24.00	8.00	IS4	<a href="#">SCE-24P20</a>	21.00	17.00
<a href="#">SCE-20H3006LP</a>	20.00	30.00	6.00	IS4	<a href="#">SCE-30P20</a>	27.00	17.00
<a href="#">SCE-24H1206LP</a>	24.00	12.00	6.00	IS4	<a href="#">SCE-12P24</a>	9.00	21.00
<a href="#">SCE-24H1208LP</a>	24.00	12.00	8.00	IS4	<a href="#">SCE-12P24</a>	9.00	21.00
<a href="#">SCE-24H1210LP</a>	24.00	12.00	10.00	IS4	<a href="#">SCE-12P24</a>	9.00	21.00
<a href="#">SCE-24H1606LP</a>	24.00	16.00	6.00	IS4	<a href="#">SCE-24P16</a>	21.00	13.00
<a href="#">SCE-24H1608LP</a>	24.00	16.00	8.00	IS4	<a href="#">SCE-24P16</a>	21.00	13.00
<a href="#">SCE-24H2006LP</a>	24.00	20.00	6.00	IS4	<a href="#">SCE-24P20</a>	21.00	17.00
<a href="#">SCE-24H2008LP</a>	24.00	20.00	8.00	IS4	<a href="#">SCE-24P20</a>	21.00	17.00
<a href="#">SCE-24H2010LP</a>	24.00	20.00	10.00	IS4	<a href="#">SCE-24P20</a>	21.00	17.00
<a href="#">SCE-24H2012LP</a>	24.00	20.00	12.00	IS4	<a href="#">SCE-24P20</a>	21.00	17.00
<a href="#">SCE-24H2016LP</a>	24.00	20.00	16.00	IS4	<a href="#">SCE-24P20</a>	21.00	17.00
<a href="#">SCE-24H2406LP</a>	24.00	24.00	6.00	IS4	<a href="#">SCE-24P24</a>	21.00	21.00
<a href="#">SCE-24H2408LP</a>	24.00	24.00	8.00	IS4	<a href="#">SCE-24P24</a>	21.00	21.00
<a href="#">SCE-24H2410LP</a>	24.00	24.00	10.00	IS4	<a href="#">SCE-24P24</a>	21.00	21.00
<a href="#">SCE-24H2412LP</a>	24.00	24.00	12.00	IS4	<a href="#">SCE-24P24</a>	21.00	21.00
<a href="#">SCE-24H2416LP</a>	24.00	24.00	16.00	IS4	<a href="#">SCE-24P24</a>	21.00	21.00
<a href="#">SCE-24H3008LP</a>	24.00	30.00	8.00	IS4	<a href="#">SCE-30P24</a>	27.00	21.00
<a href="#">SCE-30H1606LP</a>	30.00	16.00	6.00	IS4	<a href="#">SCE-30P16</a>	27.00	13.00
<a href="#">SCE-30H2006LP</a>	30.00	20.00	6.00	IS4	<a href="#">SCE-30P20</a>	27.00	17.00
<a href="#">SCE-30H2008LP</a>	30.00	20.00	8.00	IS4	<a href="#">SCE-30P20</a>	27.00	17.00
<a href="#">SCE-30H2010LP</a>	30.00	20.00	10.00	IS4	<a href="#">SCE-30P20</a>	27.00	17.00
<a href="#">SCE-30H2406LP</a>	30.00	24.00	6.00	IS4	<a href="#">SCE-30P24</a>	27.00	21.00
<a href="#">SCE-30H2408LP</a>	30.00	24.00	8.00	IS4	<a href="#">SCE-30P24</a>	27.00	21.00
<a href="#">SCE-30H2410LP</a>	30.00	24.00	10.00	IS4	<a href="#">SCE-30P24</a>	27.00	21.00
<a href="#">SCE-30H2412LP</a>	30.00	24.00	12.00	IS4	<a href="#">SCE-30P24</a>	27.00	21.00
<a href="#">SCE-30H2416LP</a>	30.00	24.00	16.00	IS4	<a href="#">SCE-30P24</a>	27.00	21.00
<a href="#">SCE-30H2420LP</a>	30.00	24.00	20.00	IS4	<a href="#">SCE-30P24</a>	27.00	21.00
<a href="#">SCE-30H2424LP</a>	30.00	24.00	24.00	IS4	<a href="#">SCE-30P24</a>	27.00	21.00
<a href="#">SCE-30H3008LP</a>	30.00	30.00	8.00	IS4	<a href="#">SCE-30P30</a>	27.00	27.00
<a href="#">SCE-30H3012LP</a>	30.00	30.00	12.00	IS4	<a href="#">SCE-30P30</a>	27.00	27.00
<a href="#">SCE-30H3608LP</a>	30.00	36.00	8.00	IS4	<a href="#">SCE-36P30</a>	33.00	27.00
<a href="#">SCE-36H1606LP</a>	36.00	16.00	6.00	IS4	<a href="#">SCE-36P16</a>	33.00	13.00
<a href="#">SCE-36H2406LP</a>	36.00	24.00	6.00	IS4	<a href="#">SCE-36P24</a>	33.00	21.00

# CLAMP FASTENED SINGLE-DOOR ENCLOSURES

Enclosure Product Code E3

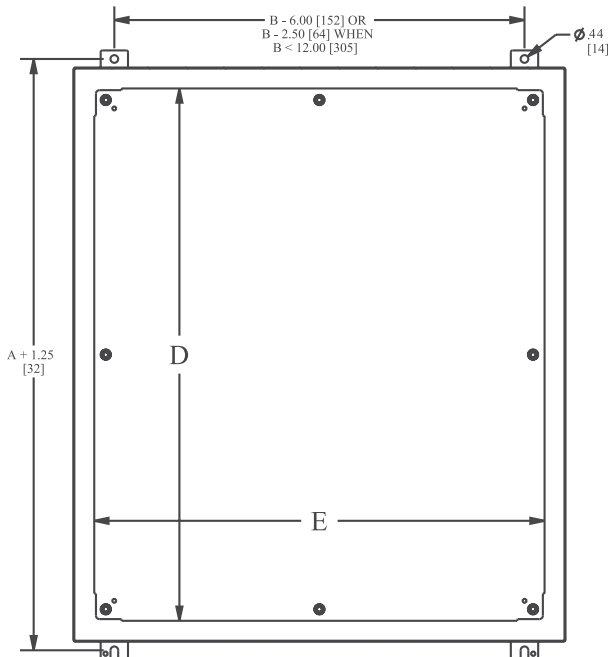
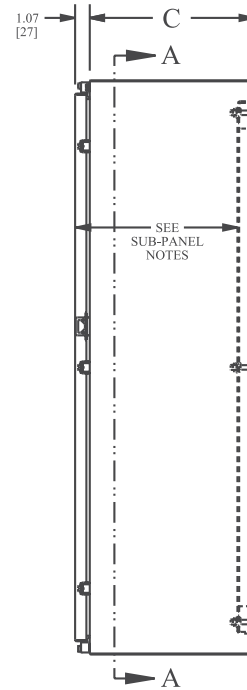
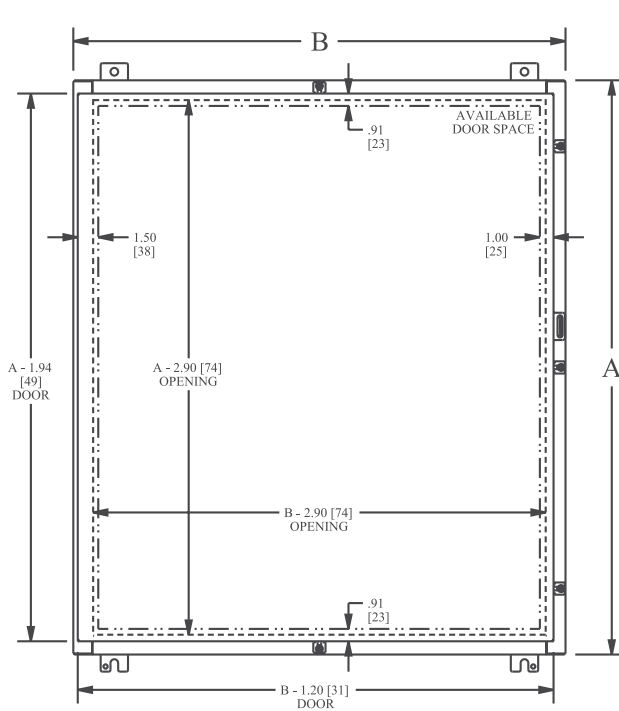
Sub-Panel (P3)

Catalog No.	Height (A)	Width (B)	Depth (C)	Industry Standard	Catalog No.	Panel Height (D)	Panel Width (E)
<a href="#">SCE-36H2408LP</a>	36.00	24.00	8.00	IS4	<a href="#">SCE-36P24</a>	33.00	21.00
<a href="#">SCE-36H2410LP</a>	36.00	24.00	10.00	IS4	<a href="#">SCE-36P24</a>	33.00	21.00
<a href="#">SCE-36H2412LP</a>	36.00	24.00	12.00	IS4	<a href="#">SCE-36P24</a>	33.00	21.00
<a href="#">SCE-36H2416LP</a>	36.00	24.00	16.00	IS4	<a href="#">SCE-36P24</a>	33.00	21.00
<a href="#">SCE-36H3006LP</a>	36.00	30.00	6.00	IS4	<a href="#">SCE-36P30</a>	33.00	27.00
<a href="#">SCE-36H3008LP</a>	36.00	30.00	8.00	IS4	<a href="#">SCE-36P30</a>	33.00	27.00
<a href="#">SCE-36H3010LP</a>	36.00	30.00	10.00	IS4	<a href="#">SCE-36P30</a>	33.00	27.00
<a href="#">SCE-36H3012LP</a>	36.00	30.00	12.00	IS4	<a href="#">SCE-36P30</a>	33.00	27.00
<a href="#">SCE-36H3016LP</a>	36.00	30.00	16.00	IS4	<a href="#">SCE-36P30</a>	33.00	27.00
<a href="#">SCE-36H3020LP</a>	36.00	30.00	20.00	IS4	<a href="#">SCE-36P30</a>	33.00	27.00
<a href="#">SCE-36H3608LP</a>	36.00	36.00	8.00	IS4	<a href="#">SCE-36P36</a>	33.00	33.00
<a href="#">SCE-36H3612LP</a>	36.00	36.00	12.00	IS4	<a href="#">SCE-36P36</a>	33.00	33.00
<a href="#">SCE-36H3616LP</a>	36.00	36.00	16.00	IS4	<a href="#">SCE-36P36</a>	33.00	33.00
<a href="#">SCE-42H2408LP</a>	42.00	24.00	8.00	IS4	<a href="#">SCE-42P24</a>	39.00	21.00
<a href="#">SCE-42H3008LP</a>	42.00	30.00	8.00	IS4	<a href="#">SCE-42P30</a>	39.00	27.00
<a href="#">SCE-42H3010LP</a>	42.00	30.00	10.00	IS4	<a href="#">SCE-42P30</a>	39.00	27.00
<a href="#">SCE-42H3012LP</a>	42.00	30.00	12.00	IS4	<a href="#">SCE-42P30</a>	39.00	27.00
<a href="#">SCE-42H3016LP</a>	42.00	30.00	16.00	IS4	<a href="#">SCE-42P30</a>	39.00	27.00
<a href="#">SCE-42H3608LP</a>	42.00	36.00	8.00	IS4	<a href="#">SCE-42P36</a>	39.00	33.00
<a href="#">SCE-42H3610LP</a>	42.00	36.00	10.00	IS4	<a href="#">SCE-42P36</a>	39.00	33.00
<a href="#">SCE-42H3612LP</a>	42.00	36.00	12.00	IS4	<a href="#">SCE-42P36</a>	39.00	33.00
<a href="#">SCE-42H3616LP</a>	42.00	36.00	16.00	IS4	<a href="#">SCE-42P36</a>	39.00	33.00
<a href="#">SCE-48H2408LP</a>	48.00	24.00	8.00	IS4	<a href="#">SCE-48P24</a>	45.00	21.00
<a href="#">SCE-48H3008LP</a>	48.00	30.00	8.00	IS4	<a href="#">SCE-48P30</a>	45.00	27.00
<a href="#">SCE-48H3010LP</a>	48.00	30.00	10.00	IS4	<a href="#">SCE-48P30</a>	45.00	27.00
<a href="#">SCE-48H3016LP</a>	48.00	30.00	16.00	IS4	<a href="#">SCE-48P30</a>	45.00	27.00
<a href="#">SCE-48H3608LP</a>	48.00	36.00	8.00	IS4	<a href="#">SCE-48P36</a>	45.00	33.00
<a href="#">SCE-48H3610LP</a>	48.00	36.00	10.00	IS4	<a href="#">SCE-48P36</a>	45.00	33.00
<a href="#">SCE-48H3612LP</a>	48.00	36.00	12.00	IS4	<a href="#">SCE-48P36</a>	45.00	33.00
<a href="#">SCE-48H3616LP</a>	48.00	36.00	16.00	IS4	<a href="#">SCE-48P36</a>	45.00	33.00
<a href="#">SCE-48H3620LP</a>	48.00	36.00	20.00	IS4	<a href="#">SCE-48P36</a>	45.00	33.00
<a href="#">SCE-60H3608LP</a>	60.00	36.00	8.00	IS4	<a href="#">SCE-60P36</a>	57.00	33.00
<a href="#">SCE-60H3610LP</a>	60.00	36.00	10.00	IS4	<a href="#">SCE-60P36</a>	57.00	33.00
<a href="#">SCE-60H3612LP</a>	60.00	36.00	12.00	IS4	<a href="#">SCE-60P36</a>	57.00	33.00
<a href="#">SCE-60H3616LP</a>	60.00	36.00	16.00	IS4	<a href="#">SCE-60P36</a>	57.00	33.00
<a href="#">SCE-60H3620LP</a>	60.00	36.00	20.00	IS4	<a href="#">SCE-60P36</a>	57.00	33.00
<a href="#">SCE-72H3012LP</a>	72.00	30.00	12.00	IS4	<a href="#">SCE-72P30</a>	69.00	27.00
<a href="#">SCE-72H3016LP</a>	72.00	30.00	16.00	IS4	<a href="#">SCE-72P30</a>	69.00	27.00
<a href="#">SCE-72H3024LP</a>	72.00	30.00	24.00	IS4	<a href="#">SCE-72P30</a>	69.00	27.00
<a href="#">SCE-72H3612LP</a>	72.00	36.00	12.00	IS4	<a href="#">SCE-72P36</a>	69.00	33.00
<a href="#">SCE-72H3616LP</a>	72.00	36.00	16.00	IS4	<a href="#">SCE-72P36</a>	69.00	33.00



# CLAMP FASTENED SINGLE-DOOR ENCLOSURES

## TECHNICAL DATA



SECTION A-A

**SUB-PANEL NOTES:**

Dimensions are from the inside of the door

**C + .30 [8]** for flat sub-panels

**C - .20 [5]** for bent sub-panels

**CLAMPING NOTES:**

Enclosures **< 27.00 [686]** in height require two clamps on door.

Enclosures **>= 27.00 [686]** in height require three clamps on door.

Omit center clamp top and bottom of door when door width is **<= 30.00 [762]**



*Your Enclosure Source*®

# NOTES

# ENVIROLINE® SERIES WALL-MOUNT TWO-DOOR ENCLOSURES WITH 3-POINT HARDWARE

## Application

Designed to house electrical and electronic controls, instrumentation and components. For installation information, consult our installation manual at [www.saginawcontrol.com](http://www.saginawcontrol.com). For outdoor applications a drip shield is recommended.

## Construction

- 0.075" carbon steel.
- Seams continuously welded and ground smooth.
- Flange trough collar around all sides of door opening.
- Collar studs provided for mounting optional sub-panels.
- Removable center posts permit easy sub-panel installation.
- Mounting holes in back of the enclosure for wall-mounting.
- Mounting hardware, sealing washers and hole plugs included.
- Concealed hinges.
- Removable and interchangeable doors.
- Black keylocking/padlocking handles.
- 3-point latching mechanism.
- Removable print pocket.
- Pour in place oil & water resistant gasket.
- Ground stud on door and body.

## Finish

ANSI-61 gray powder coated inside and out. Optional sub-panels powder coated white.

## Options

Optional mounting foot kit available (SCE-ELMFK6).

## Notes

Mechanical Interlock not for use in Enclosures 24" in height.

## IS4 Industry Standards

NEMA Type 3R, 4, 12 & Type 13  
 UL Listed Type 3R, 4 & 12  
 CSA Type 3R, 4 & 12  
 IEC 60529 IP66

\*\*\*To maintain Type 3R listing, drainage is required. Install equally rated drainage device or drill a 1/8 to 1/4 inch hole in the bottom center of the enclosure, approximately 1 inch from the right, and 1 inch from the left for drainage, use listed rain-tight or wet location hubs. Drip shield over the door is recommended for all outdoor applications.

Enclosure Product Code A4

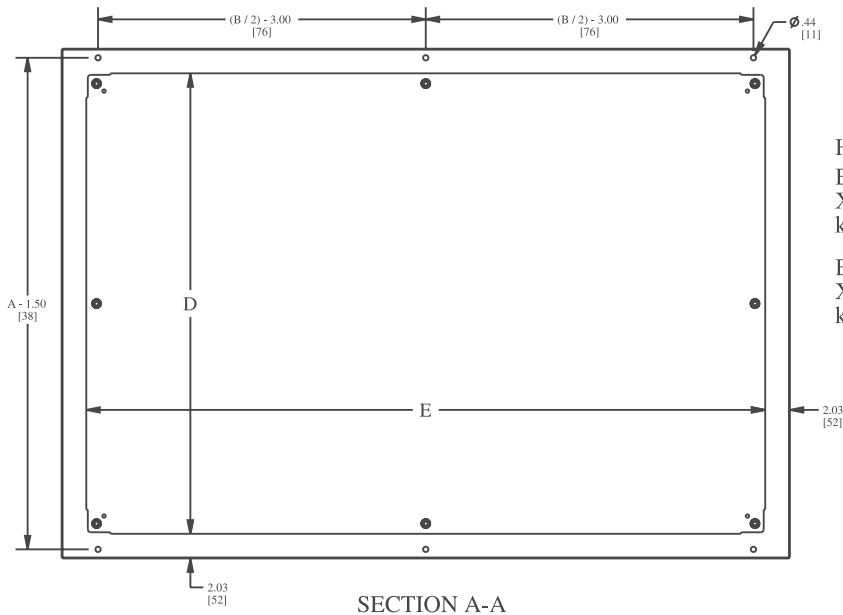
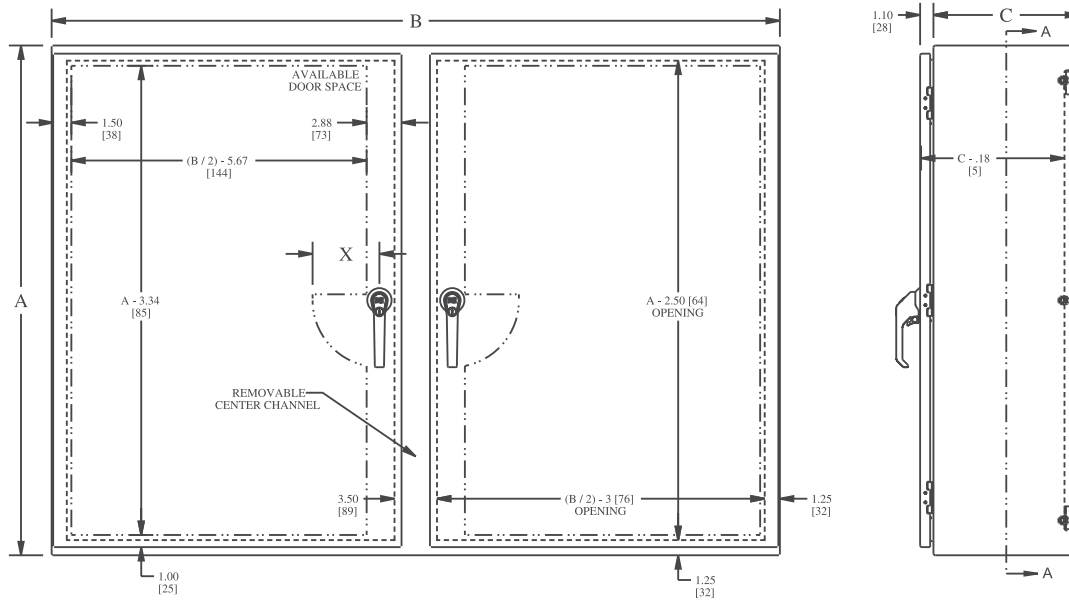
Sub-Panel (P3)

Catalog No.	Height (A)	Width (B)	Depth (C)	Industry Standard	Catalog No.	Panel Height (D)	Panel Width (E)
<a href="#">SCE-24EL4210WFLP</a>	24.00	42.00	10.00	IS4	SCE-42P24	39.00	21.00
<a href="#">SCE-24EL4810WFLP</a>	24.00	48.00	10.00	IS4	SCE-48P24	45.00	21.00
<a href="#">SCE-30EL4210WFLP</a>	30.00	42.00	10.00	IS4	SCE-42P30	39.00	27.00
<a href="#">SCE-30EL4810WFLP</a>	30.00	48.00	10.00	IS4	SCE-48P30	45.00	27.00
<a href="#">SCE-30EL6010WFLP</a>	30.00	60.00	10.00	IS4	SCE-60P30	57.00	27.00
<a href="#">SCE-36EL4216WFLP</a>	36.00	42.00	16.00	IS4	SCE-42P36	39.00	33.00
<a href="#">SCE-36EL4812WFLP</a>	36.00	48.00	12.00	IS4	SCE-48P36	45.00	33.00
<a href="#">SCE-36EL6012WFLP</a>	36.00	60.00	12.00	IS4	SCE-60P36	57.00	33.00
<a href="#">SCE-42EL4212WFLP</a>	42.00	42.00	12.00	IS4	SCE-42P42	39.00	39.00
<a href="#">SCE-42EL4812WFLP</a>	42.00	48.00	12.00	IS4	SCE-48P42	45.00	39.00
<a href="#">SCE-42EL6012WFALP</a>	42.00	60.00	12.00	IS4	SCE-60BFP42	56.00	38.00
<a href="#">SCE-48EL4812WFLP</a>	48.00	48.00	12.00	IS4	SCE-48P48	44.00	44.00



# ENVIROLINE® SERIES WALL-MOUNT TWO-DOOR ENCLOSURES WITH 3-POINT HARDWARE

## TECHNICAL DATA



**HANDLE NOTES:**

Enclosures  $\leq 42.00$  [1067] in height  
 $X = 5.50$  [140] and uses 5.00 [127]  
 key-locking/padlocking handle.

Enclosures  $> 42.00$  [1067] in height  
 $X = 6.75$  [171] and uses 7.00 [178]  
 key-locking/padlocking handle.

## Application

Designed to house electrical and electronic controls, instruments and components. Provides protection from dust, oil and water. For outdoor applications a drip shield and drain holes are required. For installation information, consult our installation manual at [www.saginawcontrol.com](http://www.saginawcontrol.com).

## Construction

- 0.075" carbon steel.
- Seams continuously welded and ground smooth, no holes or knockouts.
- Flange trough collar around all sides of door opening.
- Gasketed overlapping doors eliminate need for center post.
- Black zinc die cast keylocking/padlocking handle.
- 3-point latching mechanism.
- Latch rods have ramp shoes for easier door closing.
- Concealed hinges.
- Removable and interchangeable doors.
- Removable print pocket provided on door with 3-point latch.
- Pour in place oil and water resistant gasket.
- Collar studs for mounting optional sub-panel.
- Ground stud on door and body.
- Mounting hardware, sealing washers and hole plugs included.

## Finish

ANSI-61 gray powder coated inside and out. Optional sub-panels powder coated white.

## Options

Optional mounting foot kit available (SCE-ELMFK6).

## IS3 Industry Standards

NEMA Type 3R, 12 & Type 13  
 UL Listed Type 3R & 12  
 CSA Type 3R & 12  
 IEC 60529 IP55

\*\*\*To maintain Type 3R listing, drainage is required. Install equally rated drainage device or drill a 1/8 to 1/4 inch hole in the bottom center of the enclosure, approximately 1 inch from the right, and 1 inch from the left for drainage, use listed rain-tight or wet location hubs. Drip shield over the door is recommended for all outdoor applications.

Enclosure Product Code A4

Sub-Panel (P3)

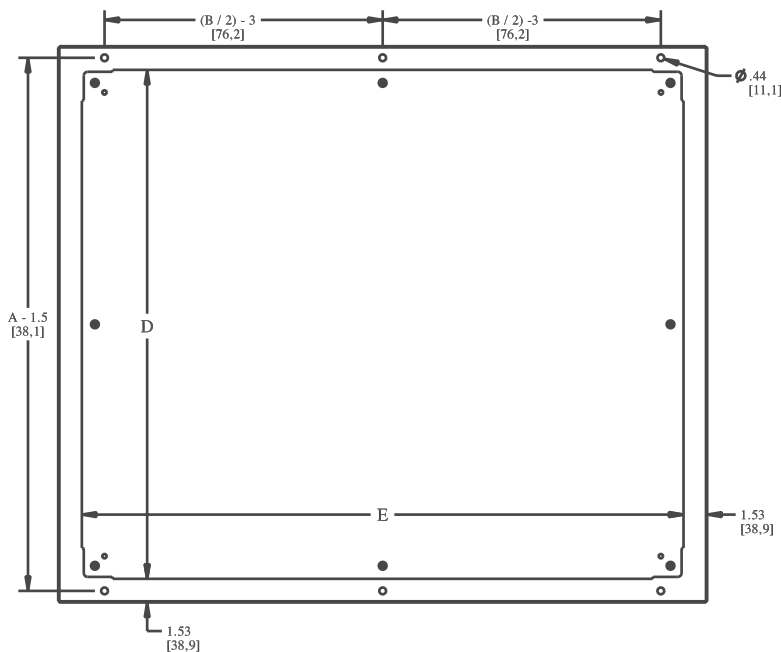
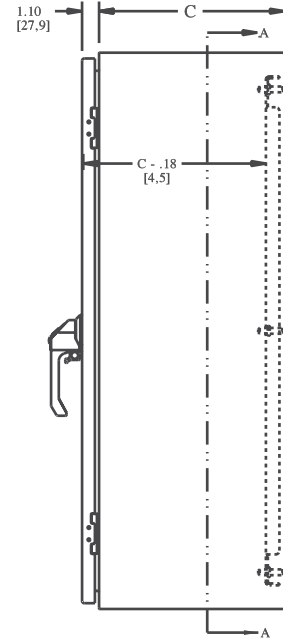
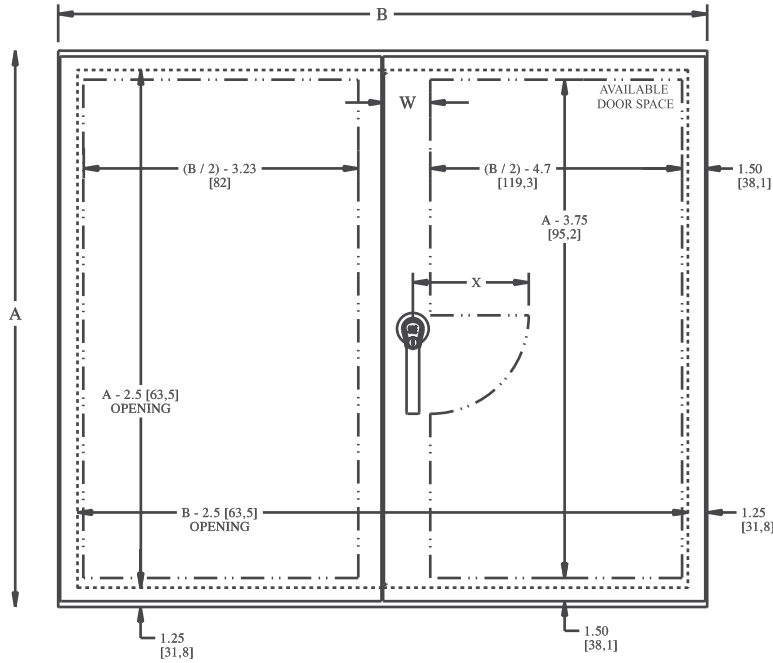
Catalog No.	Height (A)	Width (B)	Depth (C)	Industry Standard	Catalog No.	Panel Height (D)	Panel Width (E)
<a href="#">SCE-244208WFLP</a>	24.00	42.00	8.00	IS3	SCE-42P24	39.00	21.00
<a href="#">SCE-244212WFLP</a>	24.00	42.00	12.00	IS3	SCE-42P24	39.00	21.00
<a href="#">SCE-244808WFLP</a>	24.00	48.00	8.00	IS3	SCE-48P24	45.00	21.00
<a href="#">SCE-244812WFLP</a>	24.00	48.00	12.00	IS3	SCE-48P24	45.00	21.00
<a href="#">SCE-304210WFLP</a>	30.00	42.00	10.00	IS3	SCE-42P30	39.00	27.00
<a href="#">SCE-304810WFLP</a>	30.00	48.00	10.00	IS3	SCE-48P30	45.00	27.00
<a href="#">SCE-304812WFLP</a>	30.00	48.00	12.00	IS3	SCE-48P30	45.00	27.00
<a href="#">SCE-306010WFLP</a>	30.00	60.00	10.00	IS3	SCE-60P30	57.00	27.00
<a href="#">SCE-306012WFLP</a>	30.00	60.00	12.00	IS3	SCE-60P30	57.00	27.00
<a href="#">SCE-364212WFLP</a>	36.00	42.00	12.00	IS3	SCE-42P36	39.00	33.00
<a href="#">SCE-364216WFLP</a>	36.00	42.00	16.00	IS3	SCE-42P36	39.00	33.00
<a href="#">SCE-364810WFLP</a>	36.00	48.00	10.00	IS3	SCE-48P36	45.00	33.00
<a href="#">SCE-364812WFLP</a>	36.00	48.00	12.00	IS3	SCE-48P36	45.00	33.00
<a href="#">SCE-364816WFLP</a>	36.00	48.00	16.00	IS3	SCE-48P36	45.00	33.00
<a href="#">SCE-366012WFLP</a>	36.00	60.00	12.00	IS3	SCE-60P36	57.00	33.00
<a href="#">SCE-366016WFLP</a>	36.00	60.00	16.00	IS3	SCE-60P36	57.00	33.00
<a href="#">SCE-424212WFLP</a>	42.00	42.00	12.00	IS3	SCE-42P42	39.00	39.00
<a href="#">SCE-424216WFLP</a>	42.00	42.00	16.00	IS3	SCE-42P42	39.00	39.00
<a href="#">SCE-424812WFLP</a>	42.00	48.00	12.00	IS3	SCE-48P42	45.00	39.00
<a href="#">SCE-424816WFLP</a>	42.00	48.00	16.00	IS3	SCE-48P42	45.00	39.00
<a href="#">SCE-426012WFALP</a>	42.00	60.00	12.00	IS3	SCE-60BFP42	56.00	38.00
<a href="#">SCE-426016WFALP</a>	42.00	60.00	16.00	IS3	SCE-60BFP42	56.00	38.00
<a href="#">SCE-484812WFLP</a>	48.00	48.00	12.00	IS3	SCE-48P48	44.00	44.00
<a href="#">SCE-484816WFLP</a>	48.00	48.00	16.00	IS3	SCE-48P48	44.00	44.00





# OVERLAPPING TWO-DOOR WALL-MOUNT ENCLOSURES

## TECHNICAL DATA



SECTION A-A

### HANDLE NOTES:

Enclosures  $\leq 42.00$  [1067] in height  
 $X = 5.50$  [140] and uses 5.00 [127]  
 key-locking/padlocking handle.

Enclosures  $> 42.00$  [1067] in height  
 $X = 6.75$  [171] and uses 7.00 [178]  
 key-locking/padlocking handle

$W = 3.63$  [92,2]  $> 24$  inch height enclosure  
 $W = 3.00$  [76,2] 24 inch height enclosure

# ENVIROLINE® SERIES SINGLE-DOOR ENCLOSURES FOR FLANGE-MOUNTED DISCONNECTS

## Application

Designed to house most standard type disconnects. For outdoor applications a drip shield is recommended. For installation information, consult our installation manual at [www.saginawcontrol.com](http://www.saginawcontrol.com).

## Construction

- 0.075" carbon steel.
- Seams continuously welded and ground smooth.
- Flange trough collar around all sides of door opening.
- Pour in place oil and water resistant gasket.
- Collar studs provided for mounting optional sub-panels.
- Disconnect cutout provided on flange.
- Concealed hinges.
- Doors are interchangeable and easily removed by pulling hinge pins.
- 3-point latching mechanism.
- Latches are opened or closed with a screwdriver (optional tamper-resistant inserts are available).
- Mounting holes on back of enclosure.
- Mounting hardware, sealing washers, and hole plugs included.
- Ground studs on door and body.
- Removable print pocket.
- Black zinc die cast coinproof/padlocking handle.
- Provision for Lifting Lugs included on enclosures with Height >48" and with Depth >16". Lifting Lug assembly will be included with the enclosure bolt pack and hole plugs provided to seal holes in bottom of enclosure.

Disconnect switch (or circuit breaker) and operating mechanism are not furnished with this enclosure.

## Finish

ANSI-61 gray powder coated inside and out. Optional sub-panels powder coated white.

## IS3 Industry Standards

NEMA Type 3R, 12 & Type 13  
UL Listed Type 3R & 12  
CSA Type 3R & 12  
IEC 60529 IP55

## IS4 Industry Standards

NEMA Type 3R, 4, 12 & Type 13  
UL Listed Type 3R, 4 & 12  
CSA Type 3R, 4 & 12  
IEC 60529 IP66

\*\*\*To maintain Type 3R listing, drainage is required. Install equally rated drainage device or drill a 1/8 to 1/4 inch hole in the bottom center of the enclosure, approximately 1 inch from the right, and 1 inch from the left for drainage, use listed rain-tight or wet location hubs. Drip shield over the door is recommended for all outdoor applications.

Enclosure Product Code E3

Sub-Panel (P3)

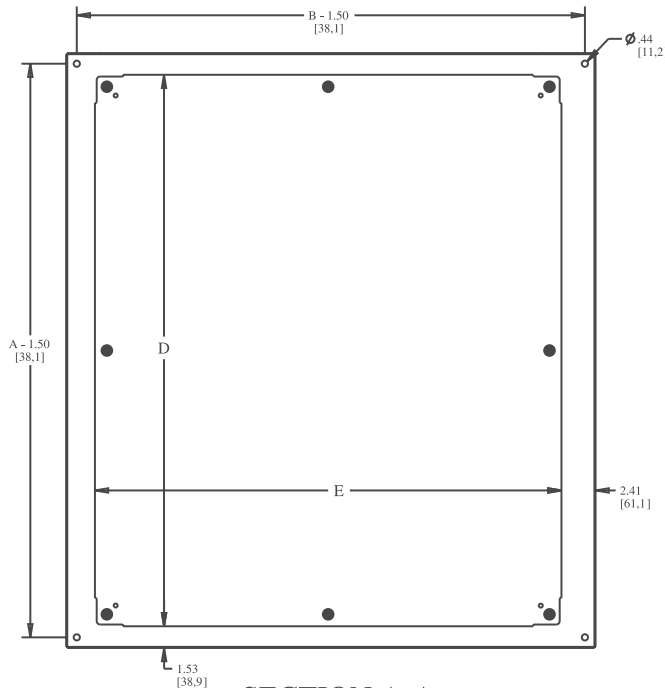
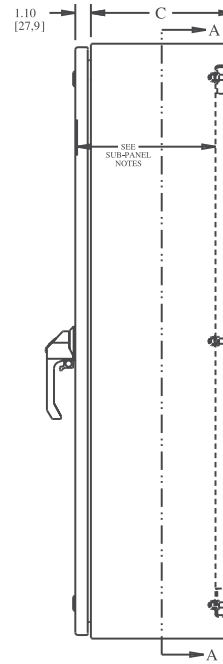
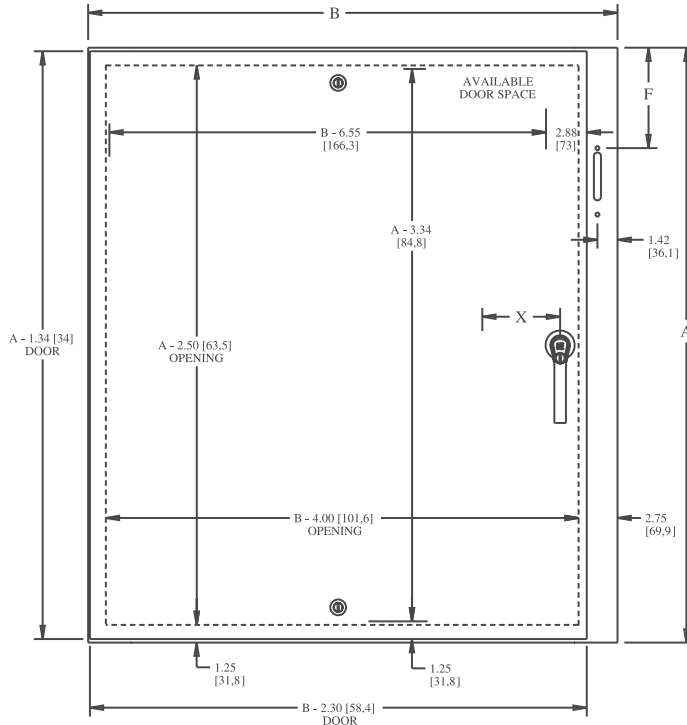
Catalog No.	Height (A)	Width (B)	Depth (C)	Industry Standard	Catalog No.	Panel Height (D)	Panel Width (E)
<a href="#">SCE-20XEL2108LP</a>	20.00	21.38	8.00	IS4	<a href="#">SCE-20P20</a>	17.00	17.00
<a href="#">SCE-20XEL2110LP</a>	20.00	21.38	10.00	IS4	<a href="#">SCE-20P20</a>	17.00	17.00
<a href="#">SCE-24XEL2108LP</a>	24.00	21.38	8.00	IS4	<a href="#">SCE-24P20</a>	21.00	17.00
<a href="#">SCE-24XEL2110LP</a>	24.00	21.38	10.00	IS4	<a href="#">SCE-24P20</a>	21.00	17.00
<a href="#">SCE-24XEL2508LP</a>	24.00	25.38	8.00	IS4	<a href="#">SCE-24P24</a>	21.00	21.00
<a href="#">SCE-24XEL2510LP</a>	24.00	25.38	10.00	IS4	<a href="#">SCE-24P24</a>	21.00	21.00
<a href="#">SCE-30XEL2108LP</a>	30.00	21.38	8.00	IS4	<a href="#">SCE-30P20</a>	27.00	17.00
<a href="#">SCE-30XEL2110LP</a>	30.00	21.38	10.00	IS4	<a href="#">SCE-30P20</a>	27.00	17.00
<a href="#">SCE-30XEL2508LP</a>	30.00	25.38	8.00	IS4	<a href="#">SCE-30P24</a>	27.00	21.00
<a href="#">SCE-30XEL2512LP</a>	30.00	25.38	12.00	IS4	<a href="#">SCE-30P24</a>	27.00	21.00
<a href="#">SCE-30XEL2510LP</a>	30.00	25.38	10.00	IS4	<a href="#">SCE-30P24</a>	27.00	21.00
<a href="#">SCE-36XEL2508LP</a>	36.00	25.38	8.00	IS4	<a href="#">SCE-36P24</a>	33.00	21.00
<a href="#">SCE-36XEL2510LP</a>	36.00	25.38	10.00	IS4	<a href="#">SCE-36P24</a>	33.00	21.00
<a href="#">SCE-36XEL3108LP</a>	36.00	31.38	8.00	IS4	<a href="#">SCE-36P30</a>	33.00	27.00
<a href="#">SCE-36XEL3110LP</a>	36.00	31.38	10.00	IS4	<a href="#">SCE-36P30</a>	33.00	27.00
<a href="#">SCE-36XEL3112LP</a>	36.00	31.38	12.00	IS4	<a href="#">SCE-36P30</a>	33.00	27.00
<a href="#">SCE-36XEL3116LP</a>	36.00	31.38	16.00	IS4	<a href="#">SCE-36P30</a>	33.00	27.00
<a href="#">SCE-42XEL3108LP</a>	42.00	31.38	8.00	IS4	<a href="#">SCE-42P30</a>	39.00	27.00
<a href="#">SCE-42XEL3110LP</a>	42.00	31.38	10.00	IS4	<a href="#">SCE-42P30</a>	39.00	27.00
<a href="#">SCE-42XEL3112LP</a>	42.00	31.38	12.00	IS4	<a href="#">SCE-42P30</a>	39.00	27.00
<a href="#">SCE-42XEL3116LP</a>	42.00	31.38	16.00	IS4	<a href="#">SCE-42P30</a>	39.00	27.00
<a href="#">SCE-42XEL3708LP</a>	42.00	37.38	8.00	IS4	<a href="#">SCE-42P36</a>	39.00	33.00
<a href="#">SCE-42XEL3710LP</a>	42.00	37.38	10.00	IS4	<a href="#">SCE-42P36</a>	39.00	33.00
<a href="#">SCE-42XEL3712LP</a>	42.00	37.38	12.00	IS4	<a href="#">SCE-42P36</a>	39.00	33.00
<a href="#">SCE-42XEL3712LP12</a>	42.00	37.38	12.00	IS3	<a href="#">SCE-42P36</a>	39.00	33.00
<a href="#">SCE-42XEL3716LP</a>	42.00	37.38	16.00	IS4	<a href="#">SCE-42P36</a>	39.00	33.00
<a href="#">SCE-48XEL2510LP</a>	48.00	25.38	10.00	IS4	<a href="#">SCE-48P24</a>	45.00	21.00
<a href="#">SCE-48XEL3708LP</a>	48.00	37.38	8.00	IS4	<a href="#">SCE-48P36</a>	45.00	33.00
<a href="#">SCE-48XEL3710LP</a>	48.00	37.38	10.00	IS4	<a href="#">SCE-48P36</a>	45.00	33.00
<a href="#">SCE-48XEL3712LP</a>	48.00	37.38	12.00	IS4	<a href="#">SCE-48P36</a>	45.00	33.00
<a href="#">SCE-48XEL3712LP12</a>	48.00	37.38	12.00	IS3	<a href="#">SCE-48P36</a>	45.00	33.00
<a href="#">SCE-48XEL3716LP</a>	48.00	37.38	16.00	IS4	<a href="#">SCE-48P36</a>	45.00	33.00
<a href="#">SCE-60XEL3708LP</a>	60.00	37.38	8.00	IS4	<a href="#">SCE-60P36</a>	57.00	33.00
<a href="#">SCE-60XEL3710LP</a>	60.00	37.38	10.00	IS4	<a href="#">SCE-60P36</a>	57.00	33.00
<a href="#">SCE-60XEL3712LP</a>	60.00	37.38	12.00	IS4	<a href="#">SCE-60P36</a>	57.00	33.00
<a href="#">SCE-60XEL3716LP</a>	60.00	37.38	16.00	IS4	<a href="#">SCE-60P36</a>	57.00	33.00
<a href="#">SCE-60XEL3716LP12</a>	60.00	37.38	16.00	IS3	<a href="#">SCE-60P36</a>	57.00	33.00

Part numbers that end in "LP12" omit center quarter turn latches on the top and bottom of the door



# ENVIROLINE® SERIES SINGLE-DOOR ENCLOSURES FOR FLANGE-MOUNTED DISCONNECTS

## TECHNICAL DATA



SECTION A-A

**SUB-PANEL NOTES:**

Dimensions are from the inside of the door.  
 C + .32 [8,1] for flat sub-panels  
 C - .18 [4,5] for bent sub-panels

**DISCONNECT NOTES:**

F = 4.75 [121] when C = 8.00 [203]  
 F = 7.09 [180] when C = 10.00 [254]  
 F = 11.62 [295] when C = 12.00 [304]  
 F = 11.62 [295] when C = 16.00 [406]  
 F = 18.38 [467] for SCE-60XEL3712LP4

**LATCH NOTES:**

Omit center latch top and bottom of door  
 when door width is <= 30.00" [762]

**HANDLE NOTES:**

On enclosures <= 42.00 [1067]  
 X = 5.50 [140] and use 5.00 [127]  
 padlocking handle with coin-proof.

On enclosures > 42.00 [1067]  
 X = 6.75 [171] and use 7.00 [178]  
 padlocking handle with coin-proof.

Enclosures with a height dimension  
 < 40.00 [1016] have a 2-point door  
 closing mechanism.

Enclosures with a height dimension of  
 >= 40.00 [1016] have a 3-point door  
 latching mechanism.

**CONSTRUCTION NOTES:**

Door will be 0.125 [3,1] thick material  
 when enclosure height is >= 42.00 and  
 door width is > 24.00

# ENVIROLINE® SERIES SINGLE-DOOR ENCLOSURES FOR FLANGE-MOUNTED DISCONNECTS RAL 7035

## Application

Designed to house most standard type disconnects. For outdoor applications a drip shield is recommended. For installation information, consult our installation manual at [www.saginawcontrol.com](http://www.saginawcontrol.com).

## Construction

- 0.075" carbon steel.
- Seams continuously welded and ground smooth.
- Flange trough collar around all sides of door opening.
- Pour in place oil and water resistant gasket.
- Collar studs provided for mounting optional sub-panels.
- Disconnect cutout provided on flange.
- Concealed hinges.
- Doors are interchangeable and easily removed by pulling hinge pins.
- 3-point latching mechanism.
- Latches are opened or closed with a screwdriver (optional tamper-resistant inserts are available).
- Mounting holes on back of enclosure.
- Mounting hardware, sealing washers, and hole plugs included.
- Ground studs on door and body.
- Removable print pocket.
- Black zinc die cast coinproof/padlocking handle.
- Provision for Lifting Lugs included on enclosures with Height >48" and with Depth >16". Lifting Lug assembly will be included with the enclosure bolt pack and hole plugs provided to seal holes in bottom of enclosure.

Disconnect switch (or circuit breaker) and operating mechanism are not furnished with this enclosure.

## Finish

RAL 7035 gray powder coated inside and out. Optional sub-panels powder coated white.

## IS3 Industry Standards

NEMA Type 3R, 12 & Type 13  
UL Listed Type 3R & 12  
CSA Type 3R & 12  
IEC 60529 IP55

## IS4 Industry Standards

NEMA Type 3R, 4, 12 & Type 13  
UL Listed Type 3R, 4 & 12  
CSA Type 3R, 4 & 12  
IEC 60529 IP66

\*\*\*To maintain Type 3R listing, drainage is required. Install equally rated drainage device or drill a 1/8 to 1/4 inch hole in the bottom center of the enclosure, approximately 1 inch from the right, and 1 inch from the left for drainage, use listed rain-tight or wet location hubs. Drip shield over the door is recommended for all outdoor applications.

Enclosure Product Code E3

Sub-Panel (P3)

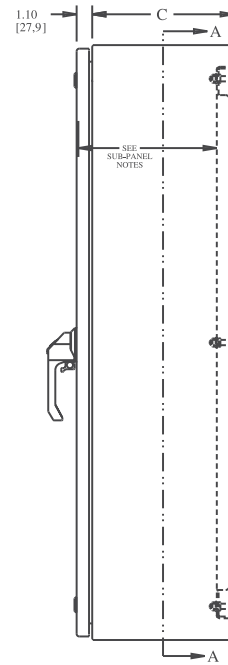
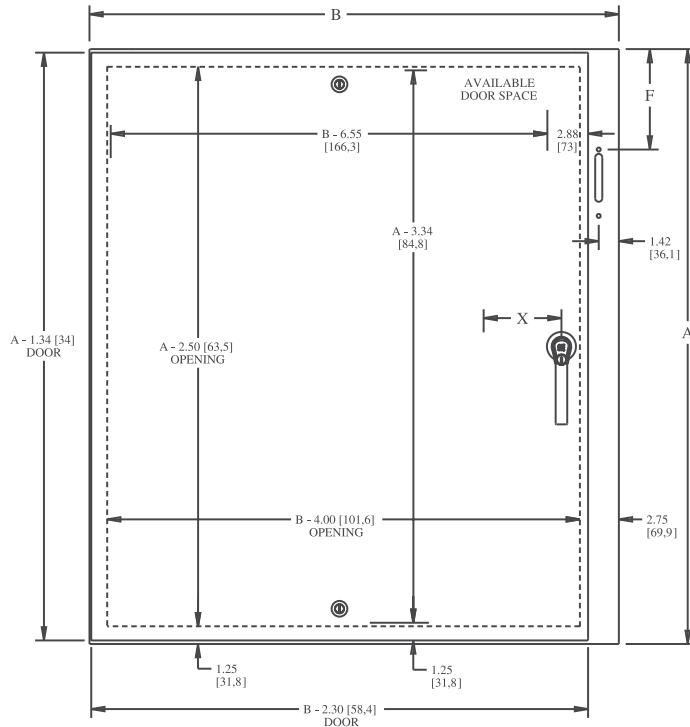
Catalog No.	Height (A)	Width (B)	Depth (C)	Industry Standard	Catalog No.	Panel Height (D)	Panel Width (E)
<a href="#">SCE-20XEL2108LPLG</a>	20.00	21.38	8.00	IS4	<a href="#">SCE-20P20</a>	17.00	17.00
<a href="#">SCE-20XEL2110LPLG</a>	20.00	21.38	10.00	IS4	<a href="#">SCE-20P20</a>	17.00	17.00
<a href="#">SCE-24XEL2108LPLG</a>	24.00	21.38	8.00	IS4	<a href="#">SCE-24P20</a>	21.00	17.00
<a href="#">SCE-24XEL2508LPLG</a>	24.00	25.38	8.00	IS4	<a href="#">SCE-24P24</a>	21.00	21.00
<a href="#">SCE-24XEL2510LPLG</a>	24.00	25.38	10.00	IS4	<a href="#">SCE-24P24</a>	21.00	21.00
<a href="#">SCE-30XEL2108LPLG</a>	30.00	21.38	8.00	IS4	<a href="#">SCE-30P20</a>	27.00	17.00
<a href="#">SCE-30XEL2508LPLG</a>	30.00	25.38	8.00	IS4	<a href="#">SCE-30P24</a>	27.00	21.00
<a href="#">SCE-30XEL2510LPLG</a>	30.00	25.38	10.00	IS4	<a href="#">SCE-30P24</a>	27.00	21.00
<a href="#">SCE-36XEL2508LPLG</a>	36.00	25.38	8.00	IS4	<a href="#">SCE-36P24</a>	33.00	21.00
<a href="#">SCE-36XEL2510LPLG</a>	36.00	25.38	10.00	IS4	<a href="#">SCE-36P24</a>	33.00	21.00
<a href="#">SCE-36XEL3108LPLG</a>	36.00	31.38	8.00	IS4	<a href="#">SCE-36P30</a>	33.00	27.00
<a href="#">SCE-36XEL3110LPLG</a>	36.00	31.38	10.00	IS4	<a href="#">SCE-36P30</a>	33.00	27.00
<a href="#">SCE-36XEL3112LPLG</a>	36.00	31.38	12.00	IS4	<a href="#">SCE-36P30</a>	33.00	27.00
<a href="#">SCE-36XEL3116LPLG</a>	36.00	31.38	16.00	IS4	<a href="#">SCE-36P30</a>	33.00	27.00
<a href="#">SCE-42XEL3110LPLG</a>	42.00	31.38	10.00	IS4	<a href="#">SCE-42P30</a>	39.00	27.00
<a href="#">SCE-42XEL3112LPLG</a>	42.00	31.38	12.00	IS4	<a href="#">SCE-42P30</a>	39.00	27.00
<a href="#">SCE-42XEL3116LPLG</a>	42.00	31.38	16.00	IS4	<a href="#">SCE-42P30</a>	39.00	27.00
<a href="#">SCE-42XEL3710LPLG</a>	42.00	37.38	10.00	IS4	<a href="#">SCE-42P36</a>	39.00	33.00
<a href="#">SCE-42XEL3712LPLG</a>	42.00	37.38	12.00	IS4	<a href="#">SCE-42P36</a>	39.00	33.00
<a href="#">SCE-42XEL3712LP12LG</a>	42.00	37.38	12.00	IS3	<a href="#">SCE-42P36</a>	39.00	33.00
<a href="#">SCE-42XEL3716LPLG</a>	42.00	37.38	16.00	IS4	<a href="#">SCE-42P36</a>	39.00	33.00
<a href="#">SCE-48XEL3710LPLG</a>	48.00	37.38	10.00	IS4	<a href="#">SCE-48P36</a>	45.00	33.00
<a href="#">SCE-48XEL3712LPLG</a>	48.00	37.38	12.00	IS4	<a href="#">SCE-48P36</a>	45.00	33.00
<a href="#">SCE-48XEL3712LP12LG</a>	48.00	37.38	12.00	IS3	<a href="#">SCE-48P36</a>	45.00	33.00
<a href="#">SCE-48XEL3716LPLG</a>	48.00	37.38	16.00	IS4	<a href="#">SCE-48P36</a>	45.00	33.00
<a href="#">SCE-60XEL3710LPLG</a>	60.00	37.38	10.00	IS4	<a href="#">SCE-60P36</a>	57.00	33.00
<a href="#">SCE-60XEL3712LPLG</a>	60.00	37.38	12.00	IS4	<a href="#">SCE-60P36</a>	57.00	33.00
<a href="#">SCE-60XEL3716LPLG</a>	60.00	37.38	16.00	IS4	<a href="#">SCE-60P36</a>	57.00	33.00
<a href="#">SCE-60XEL3716LP12LG</a>	60.00	37.38	16.00	IS3	<a href="#">SCE-60P36</a>	57.00	33.00

Part numbers that end in "LP12" omit center quarter turn latches on the top and bottom of the door



# ENVIROLINE® SERIES SINGLE-DOOR ENCLOSURES FOR FLANGE-MOUNTED DISCONNECTS RAL 7035

## TECHNICAL DATA



**SUB-PANEL NOTES:**  
 Dimensions are from the inside of the door.  
 C + .32 [8.1] for flat sub-panels  
 C - .18 [4.5] for bent sub-panels

**DISCONNECT NOTES:**  
 F = 4.75 [121] when C = 8.00 [203]  
 F = 7.09 [180] when C = 10.00 [254]  
 F = 11.62 [295] when C = 12.00 [304]  
 F = 11.62 [295] when C = 16.00 [406]  
 F = 18.38 [467] for SCE-60XEL3712LP4

**LATCH NOTES:**  
 Omit center latch top and bottom of door when door width is ≤ 30.00" [762]

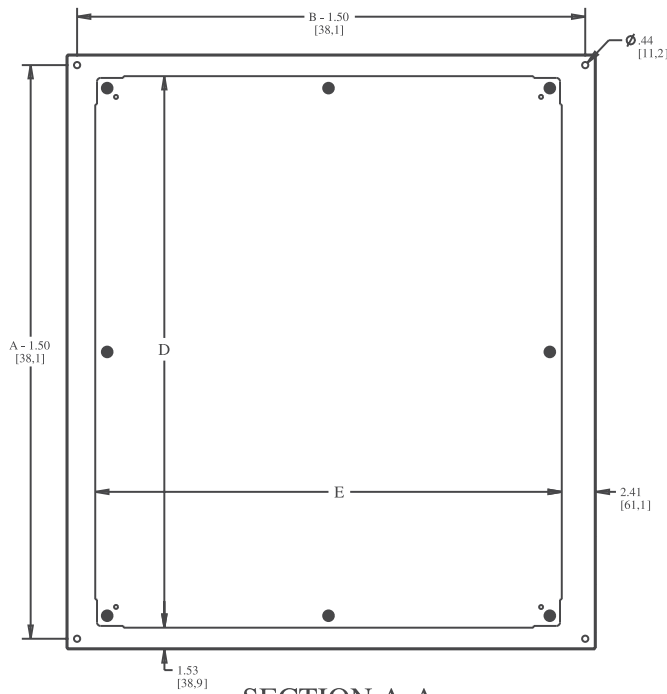
**HANDLE NOTES:**  
 On enclosures ≤ 42.00 [1067]  
 X = 5.50 [140] and use 5.00 [127] padlocking handle with coin-proof.

On enclosures > 42.00 [1067]  
 X = 6.75 [171] and use 7.00 [178] padlocking handle with coin-proof.

Enclosures with a height dimension < 40.00 [1016] have a 2-point door closing mechanism.

Enclosures with a height dimension of ≥ 40.00 [1016] have a 3-point door latching mechanism.

**CONSTRUCTION NOTES:**  
 Door will be 0.125 [3.1] thick material when enclosure height is ≥ 42.00 and door width is > 24.00



SECTION A-A

# CLAMP FASTENED SINGLE-DOOR ENCLOSURES FOR FLANGE-MOUNTED DISCONNECTS

## Application

Designed to house most standard type disconnects. For outdoor applications a drip shield is recommended. For installation information, consult our installation manual at [www.saginawcontrol.com](http://www.saginawcontrol.com).

## Construction

- 0.075" carbon steel.
- Seams continuously welded and ground smooth.
- Concealed hinges.
- Door clamps are quick and easy to operate.
- Flange trough collar around all sides of door opening.
- Interior print pocket.
- Collar studs provided for mounting optional sub-panels.
- Pour in place oil and water resistant gasket.
- Disconnect cutout provided on flange.
- Ground stud on door and body.
- No stiffener required.
- Bolt-on mounting provision top and bottom of back.
- Provision for Lifting Lugs included on enclosures with Height >48" and with Depth >16". Lifting Lug assembly will be included with the enclosure bolt pack and hole plugs provided to seal holes in bottom of enclosure.

Disconnect switch (or circuit breaker) and operating mechanism are not furnished with this enclosure.

## Finish

ANSI-61 gray powder coated inside and out.  
Optional sub-panels powder coated white.

## IS4 Industry Standards

NEMA Type 3R, 4, 12 & Type 13  
UL Listed Type 3R, 4 & 12  
CSA Type 3R, 4 & 12  
IEC 60529 IP66

\*\*\*To maintain Type 3R listing, drainage is required. Install equally rated drainage device or drill a 1/8 to 1/4 inch hole in the bottom center of the enclosure, approximately 1 inch from the right, and 1 inch from the left for drainage, use listed rain-tight or wet location hubs. Drip shield over the door is recommended for all outdoor applications.

Enclosure Product Code A3

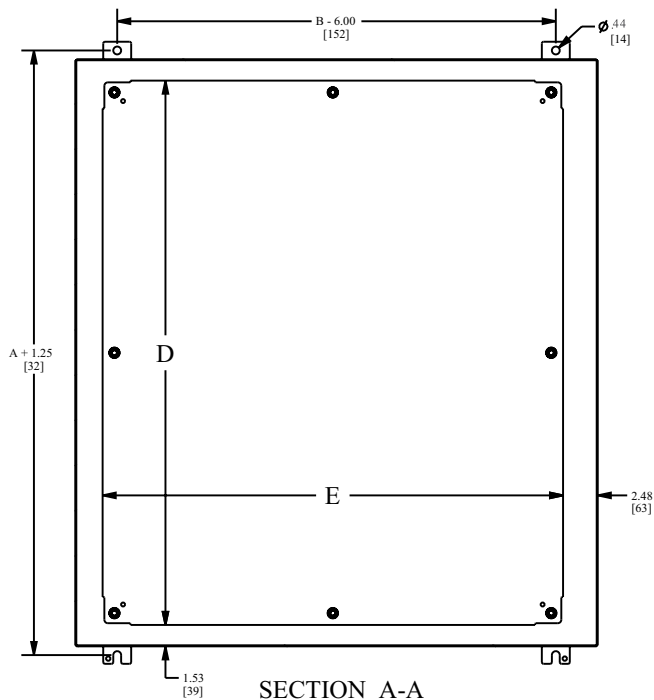
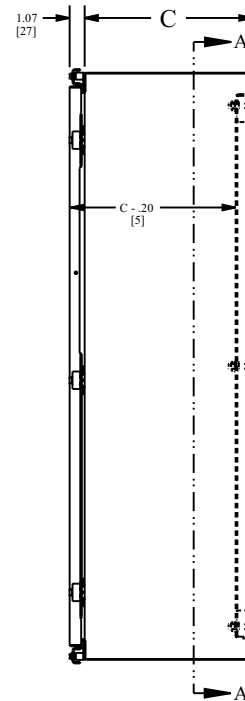
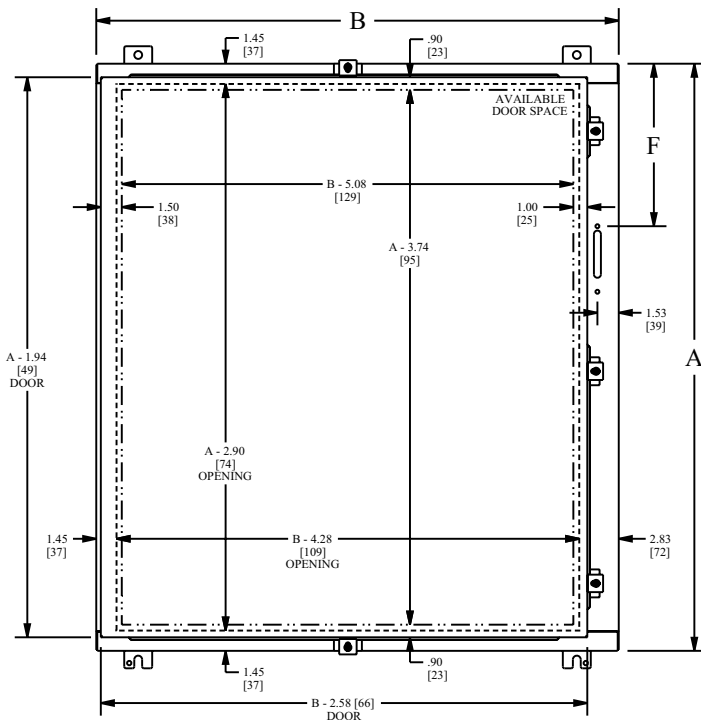
Sub-Panel (P3)

Catalog No.	Height (A)	Width (B)	Depth (C)	Industry Standard	Catalog No.	Panel Height (D)	Panel Width (E)
<a href="#">SCE-24HS2108LP</a>	24.00	21.38	8.00	IS4	<a href="#">SCE-24P20</a>	21.00	17.00
<a href="#">SCE-24HS2508LP</a>	24.00	25.38	8.00	IS4	<a href="#">SCE-24P24</a>	21.00	21.00
<a href="#">SCE-30HS2508LP</a>	30.00	25.38	8.00	IS4	<a href="#">SCE-30P24</a>	27.00	21.00
<a href="#">SCE-36HS2508LP</a>	36.00	25.38	8.00	IS4	<a href="#">SCE-36P24</a>	33.00	21.00
<a href="#">SCE-36HS3108LP</a>	36.00	31.38	8.00	IS4	<a href="#">SCE-36P30</a>	33.00	27.00
<a href="#">SCE-36HS3112LP</a>	36.00	31.38	12.00	IS4	<a href="#">SCE-36P30</a>	33.00	27.00
<a href="#">SCE-42HS3112LP</a>	42.00	31.38	12.00	IS4	<a href="#">SCE-42P30</a>	39.00	27.00
<a href="#">SCE-42HS3712LP</a>	42.00	37.38	12.00	IS4	<a href="#">SCE-42P36</a>	39.00	33.00
<a href="#">SCE-48HS3712LP</a>	48.00	37.38	12.00	IS4	<a href="#">SCE-48P36</a>	45.00	33.00
<a href="#">SCE-60HS3712LP</a>	60.00	37.38	12.00	IS4	<a href="#">SCE-60P36</a>	57.00	33.00



# CLAMP FASTENED SINGLE-DOOR ENCLOSURES FOR FLANGE-MOUNTED DISCONNECTS

## TECHNICAL DATA



DISCONNECT NOTES:  
 F = 8.63 [219] when C = 8.00 [203]  
 F = 11.63 [295] when C = 12.00 [304]



# VENTED TYPE 3R ENCLOSURES FOR FLANGE-MOUNTED DISCONNECT

Enclosure Product Code N3

Catalog No.	Height (A)	Width (B)	Depth (C)	Fan Size	Fan Qty	System CFM	Filter Size	Filter Qty	Industry Standard	Sub-Panel
<a href="#">SCE-47XVR2514</a>	47.00	25.38	14.00	10"	1	300	FLT66	2	IS7	<a href="#">SCE-42P24</a>
<a href="#">SCE-53XVR3716</a>	53.00	37.38	16.00	10"	1	300	FLT88	2	IS7	<a href="#">SCE-48P36</a>
<a href="#">SCE-53XVR3720</a>	53.00	37.38	20.00	10"	2	600	FLT88	2	IS7	<a href="#">SCE-48P36</a>
<a href="#">SCE-65XVR3716</a>	65.00	37.38	16.00	10"	2	600	FLT88	2	IS7	<a href="#">SCE-60P36</a>
<a href="#">SCE-65XVR3720</a>	65.00	37.38	20.00	10"	2	600	FLT88	2	IS7	<a href="#">SCE-60P36</a>

## Application

Designed to house electrical controls, drives, instruments and components used in an outdoor environment to provide a degree of protection for the equipment inside the enclosure against ingress of solid foreign objects (falling dirt); and provide a degree of protection with respect to the harmful effects on the equipment due to the ingress of water (rain, sleet, snow). Designed to house most standard disconnects. For installation information, consult our installation manual at [www.saginawcontrol.com](http://www.saginawcontrol.com)

## Construction

- 0.075" galvanized steel.
- 3-point latching mechanism.
- Provisions for sub-panel.
- Doors open 180 degrees.
- Disconnect cutout provided on flange.
- Concealed hinges.
- Vented top hood with removable cover and washable reusable filter.
- Top-mounted fans.
- Vented rain hood with filter kits in door.
- Din Rail mounting provisions inside top for installation of thermostat and terminals.
- Pour in place oil and water resistant gasket.
- Ground studs on door and body.
- Mounting holes for optional mounting straps.
- 3/8-16 grounding kit.
- Sub-panel mounting hardware included.
- 115 volt fan.
- Black zinc die cast coinproof/padlocking handle.
- Provision for Lifting Lugs included on enclosures with Height >48" and with Depth >16". Lifting Lug assembly will be included with the enclosure bolt pack and hole plugs provided to seal holes in bottom of enclosure.

Disconnect switch (or circuit breaker) and operating mechanism are not furnished with this enclosure.

## Finish

ANSI-61 gray powder coated inside and out. Optional sub-panels powder coated white.

## IS7 Industry Standards

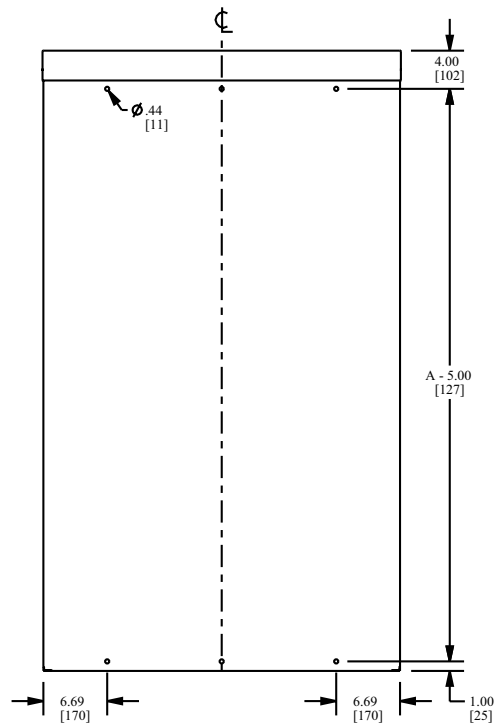
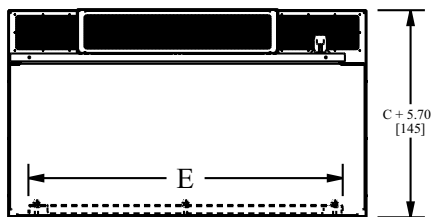
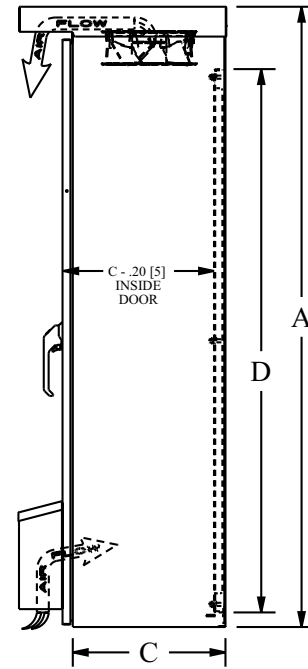
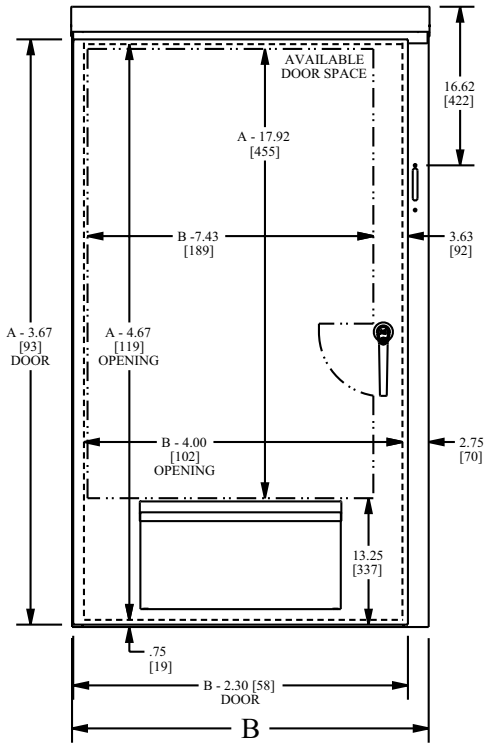
NEMA Type 3R  
 UL Listed Type 3R  
 CSA Type 3R  
 IEC 60529 IP32





# VENTED TYPE 3R ENCLOSURES FOR FLANGE-MOUNTED DISCONNECT

## TECHNICAL DATA



REAR OF ENCLOSURE

# VENTED TYPE 3R ENCLOSURES

## Application

Designed to house electrical controls, drives, instruments and components used in an outdoor environment to provide a degree of protection for the equipment inside the enclosure against the ingress of solid foreign objects (falling dirt); and provide a degree of protection with respect to the harmful effects on the equipment due to the ingress of water (rain, sleet, snow). For installation information, consult our installation manual at [www.saginawcontrol.com](http://www.saginawcontrol.com).

## Construction

- 0.075" galvanized steel.
- Black quarter turn latches and padlock wing knob.
- Provisions for sub-panel.
- Doors open 180 degrees.
- Concealed hinges.
- Vented top hood with removable cover and washable reusable filter
- Top-mounted fans.
- Vented rain hood with filter kits in door.
- Din Rail mounting provisions inside top for installation of thermostat and terminals.
- Pour in place oil and water resistant gasket.
- Ground studs on door and body.
- Mounting holes for optional mounting straps.
- 3/8-16 grounding kit.
- Sub-panel mounting hardware included.
- 115 volt fan.
- Provision for Lifting Lugs included on enclosures with Height >48" and with Depth >16". Lifting Lug assembly will be included with the enclosure bolt pack and hole plugs provided to seal holes in bottom of enclosure.

## Finish

White powder coated inside and out. Optional sub-panels powder coated white.

## IS7 Industry Standards

NEMA Type 3R  
 UL Listed Type 3R  
 CSA Type 3R  
 IEC 60529 IP32

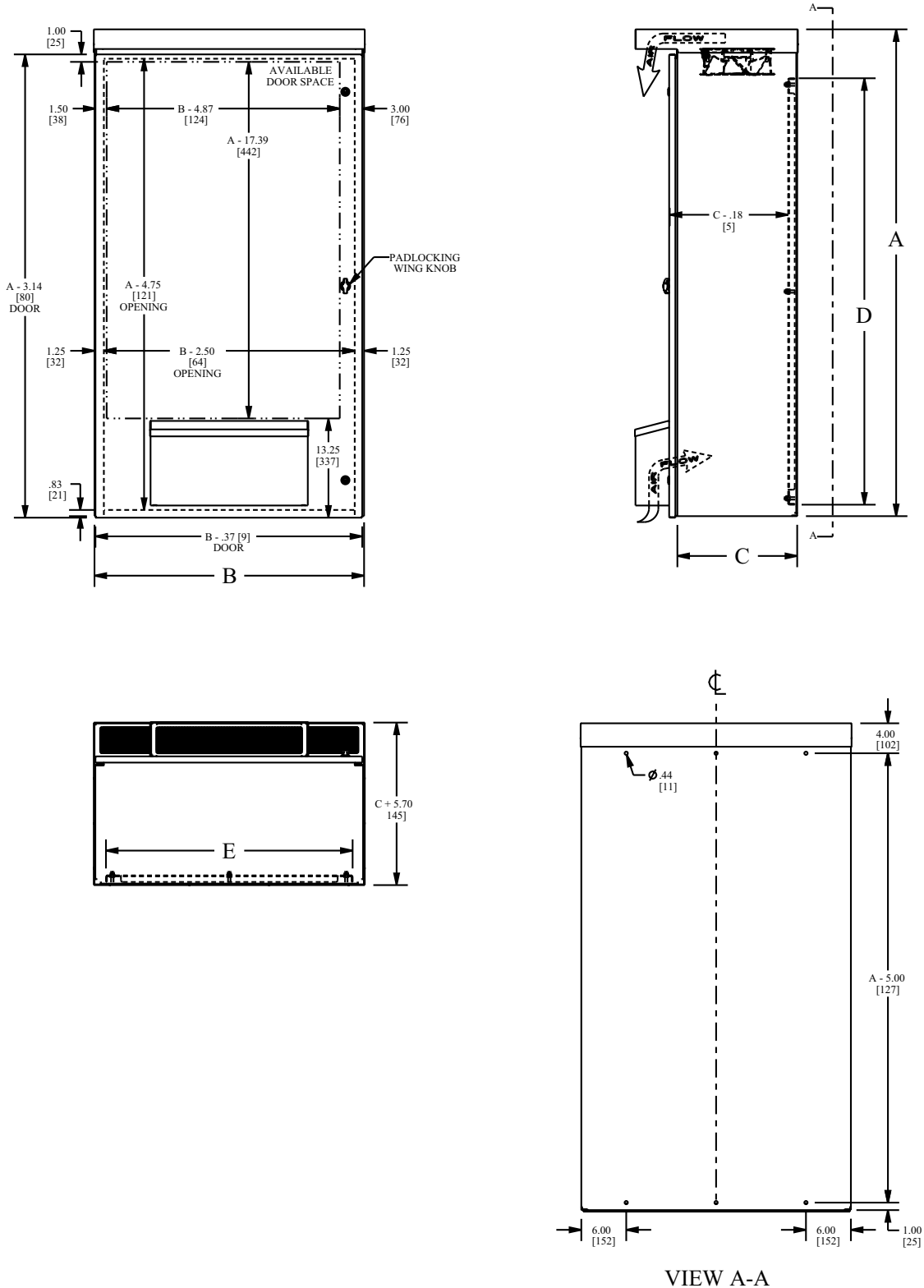
Enclosure Product Code N3

Catalog No.	Height (A)	Width (B)	Depth (C)	Fan Size	Fan Qty	System CFM	Filter Size	Filter Qty	Industry Standard	Sub-Panel
<a href="#">SCE-29VR2412</a>	29.00	24.00	12.00	6"	1	107	FLT66	2	IS7	<a href="#">SCE-24P24</a>
<a href="#">SCE-29VR2416</a>	29.00	24.00	16.00	6"	1	107	FLT66	2	IS7	<a href="#">SCE-24P24</a>
<a href="#">SCE-35VR2412</a>	35.00	24.00	12.00	6"	1	107	FLT66	2	IS7	<a href="#">SCE-30P24</a>
<a href="#">SCE-41VR2412</a>	41.00	24.00	12.00	6"	1	107	FLT66	2	IS7	<a href="#">SCE-36P24</a>
<a href="#">SCE-47VR2414</a>	47.00	24.00	14.00	10"	1	300	FLT66	2	IS7	<a href="#">SCE-42P24</a>
<a href="#">SCE-53VR3616</a>	53.00	36.00	16.00	10"	1	300	FLT88	2	IS7	<a href="#">SCE-48P36</a>
<a href="#">SCE-53VR3620</a>	53.00	36.00	20.00	10"	1	300	FLT88	2	IS7	<a href="#">SCE-48P36</a>
<a href="#">SCE-65VR3616</a>	65.00	36.00	16.00	10"	2	600	FLT88	2	IS7	<a href="#">SCE-60P36</a>
<a href="#">SCE-65VR3620</a>	65.00	36.00	20.00	10"	2	600	FLT88	2	IS7	<a href="#">SCE-60P36</a>



# VENTED TYPE 3R ENCLOSURES

## TECHNICAL DATA



VIEW A-A

# HINGED COVER TYPE 3R ENCLOSURES

## Application

Designed to house electrical controls, instruments and components in an outdoor environment. Protects against rain, sleet and snow. For installation information, consult our installation manual at [www.saginawcontrol.com](http://www.saginawcontrol.com).

## Construction

- 0.048", 0.060" & 0.075" galvanized steel.
- Concealed hinges.
- Spot weld construction.
- Rain cap.
- Mounting holes in back of enclosure.
- Provisions for sub-panel.
- Black quarter turn latches.
- Doors open 180 degrees.
- Black quarter turn latch with padlocking provisions.
- Pour in place oil and water resistant gasket.
- Ground studs on door and body.
- 3/8-16 grounding kit.
- Sub-panel mounting hardware included.

## Options

Optional mounting straps or mounting foot kits available.

## Finish

ANSI-61 gray powder coated inside and out. Optional sub-panels powder coated white.

## IS7 Industry Standards

NEMA Type 3R  
 UL Listed Type 3R  
 CSA Type 3R  
 IEC 60529 IP32



116

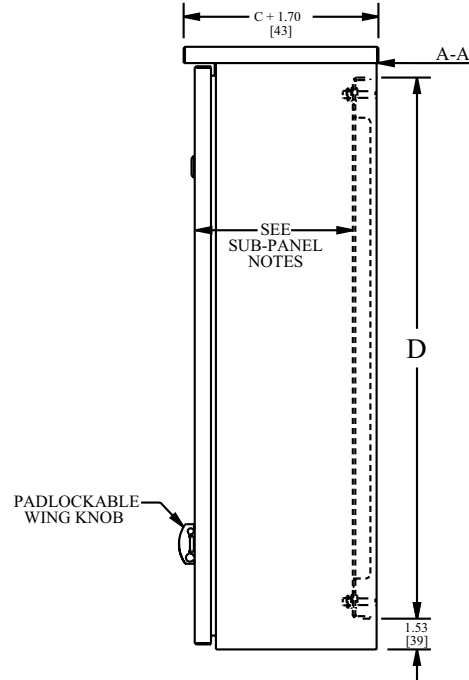
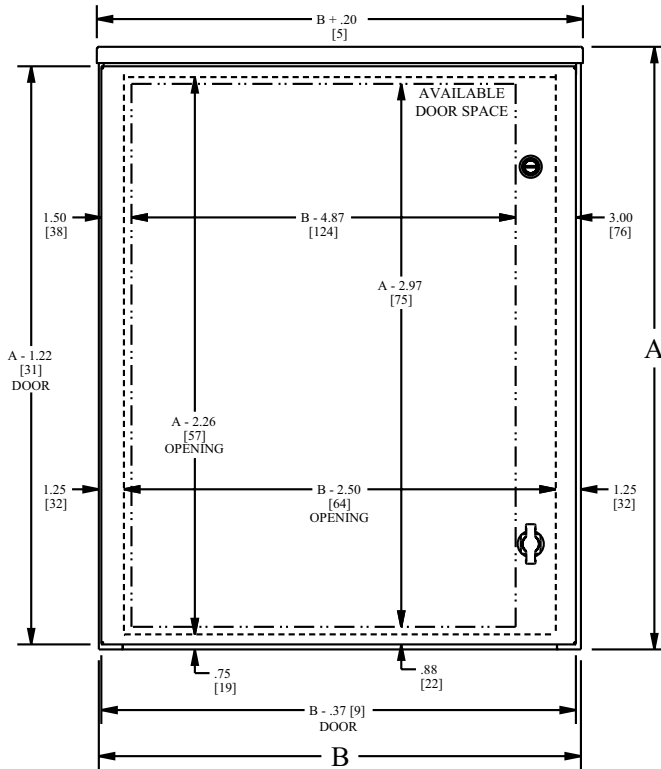
Enclosure Product Code N3

Sub-Panel (P3)

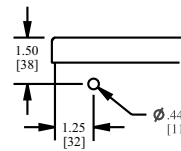
Catalog No.	Height (A)	Width (B)	Depth (C)	Industry Standard	Catalog No.	Panel Height (D)	Panel Width (E)
<a href="#">SCE-12R1206LP</a>	12.00	12.00	6.00	IS7	<a href="#">SCE-12DLP12</a>	9.00	9.00
<a href="#">SCE-12R1208LP</a>	12.00	12.00	8.00	IS7	<a href="#">SCE-12DLP12</a>	9.00	9.00
<a href="#">SCE-16R1206LP</a>	16.00	12.00	6.00	IS7	<a href="#">SCE-16P12</a>	13.00	9.00
<a href="#">SCE-16R1208LP</a>	16.00	12.00	8.00	IS7	<a href="#">SCE-16P12</a>	13.00	9.00
<a href="#">SCE-20R1606LP</a>	20.00	16.00	6.00	IS7	<a href="#">SCE-20P16</a>	17.00	13.00
<a href="#">SCE-20R1608LP</a>	20.00	16.00	8.00	IS7	<a href="#">SCE-20P16</a>	17.00	13.00
<a href="#">SCE-24R2006LP</a>	24.00	20.00	6.00	IS7	<a href="#">SCE-24P20</a>	21.00	17.00
<a href="#">SCE-24R2008LP</a>	24.00	20.00	8.00	IS7	<a href="#">SCE-24P20</a>	21.00	17.00
<a href="#">SCE-24R2012LP</a>	24.00	20.00	12.00	IS7	<a href="#">SCE-24P20</a>	21.00	17.00
<a href="#">SCE-24R2016LP</a>	24.00	20.00	16.00	IS7	<a href="#">SCE-24P20</a>	21.00	17.00
<a href="#">SCE-24R2408LP</a>	24.00	24.00	8.00	IS7	<a href="#">SCE-24P24</a>	21.00	21.00
<a href="#">SCE-24R2412LP</a>	24.00	24.00	12.00	IS7	<a href="#">SCE-24P24</a>	21.00	21.00
<a href="#">SCE-24R2416LP</a>	24.00	24.00	16.00	IS7	<a href="#">SCE-24P24</a>	21.00	21.00
<a href="#">SCE-30R2408LP</a>	30.00	24.00	8.00	IS7	<a href="#">SCE-30P24</a>	27.00	21.00
<a href="#">SCE-30R2412LP</a>	30.00	24.00	12.00	IS7	<a href="#">SCE-30P24</a>	27.00	21.00
<a href="#">SCE-30R2416LP</a>	30.00	24.00	16.00	IS7	<a href="#">SCE-30P24</a>	27.00	21.00
<a href="#">SCE-36R2408LP</a>	36.00	24.00	8.00	IS7	<a href="#">SCE-36P24</a>	33.00	21.00
<a href="#">SCE-36R2412LP</a>	36.00	24.00	12.00	IS7	<a href="#">SCE-36P24</a>	33.00	21.00
<a href="#">SCE-36R2416LP</a>	36.00	24.00	16.00	IS7	<a href="#">SCE-36P24</a>	33.00	21.00
<a href="#">SCE-36R3008LP</a>	36.00	30.00	8.00	IS7	<a href="#">SCE-36P30</a>	33.00	27.00
<a href="#">SCE-36R3012LP</a>	36.00	30.00	12.00	IS7	<a href="#">SCE-36P30</a>	33.00	27.00
<a href="#">SCE-36R3016LP</a>	36.00	30.00	16.00	IS7	<a href="#">SCE-36P30</a>	33.00	27.00
<a href="#">SCE-42R3012LP</a>	42.00	30.00	12.00	IS7	<a href="#">SCE-42P30</a>	39.00	27.00
<a href="#">SCE-42R3016LP</a>	42.00	30.00	16.00	IS7	<a href="#">SCE-42P30</a>	39.00	27.00

# HINGED COVER TYPE 3R ENCLOSURES

## TECHNICAL DATA

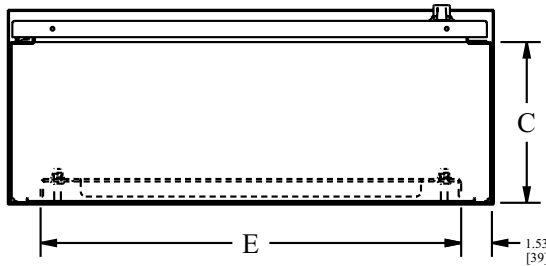


PADLOCKABLE WING KNOB



MOUNTING HOLES  
TYPICAL 4 PLACES

DETAIL A-A



### LATCH NOTES:

Enclosures  $< 24.00$  [610] high require only one latch centered on door.

Enclosures  $\geq 24.00$  [610] AND  $< 40.00$  [1016] high require two latches on door

Enclosures  $\geq 40.00$  [1016] high require three latches.

### SUB-PANEL NOTES:

Dimensions are from the inside of the door

$C + 0.32$  [8] for flat sub-panels

$C + 0.18$  [5] for bent sub-panels

# SCREW COVER TYPE 3R ENCLOSURES

## Application

Instruments and components in outdoor environment. Protects against rain, sleet and snow. For installation information, consult our installation manual at [www.saginawcontrol.com](http://www.saginawcontrol.com).

## Construction

- 0.048" & 0.063" galvanized steel.
- Spot weld construction.
- Rain cap.
- Mounting holes in back of enclosure.
- Slip on removable screw cover.
- Padlocking provisions.
- No gasket.
- No sub-panel or provisions.
- Ground studs on door and body.

## Options

Optional mounting straps available.

## Finish

ANSI-61 gray powder coated inside and out.

## IS7 Industry Standards

NEMA Type 3R  
 UL Listed Type 3R  
 CSA Type 3R  
 IEC 60529 IP32

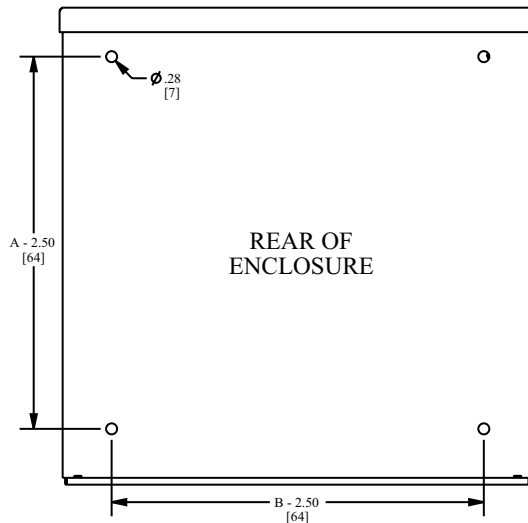
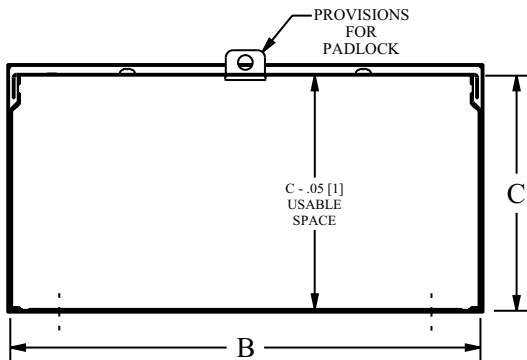
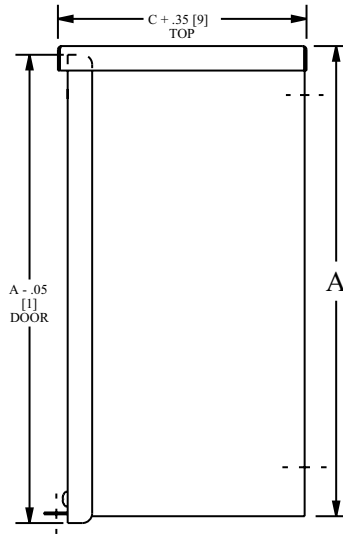
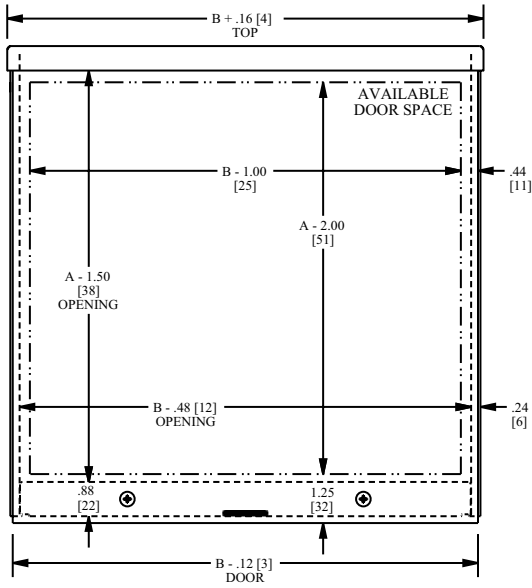


Enclosure Product Code N3

Catalog No.	Height (A)	Width (B)	Depth (C)	Industry Standard
<a href="#">SCE-4R44</a>	4.00	4.00	4.00	IS7
<a href="#">SCE-6R64</a>	6.00	6.00	4.00	IS7
<a href="#">SCE-6R66</a>	6.00	6.00	6.00	IS7
<a href="#">SCE-8R64</a>	8.00	6.00	4.00	IS7
<a href="#">SCE-8R66</a>	8.00	6.00	6.00	IS7
<a href="#">SCE-10R84</a>	10.00	8.00	4.00	IS7
<a href="#">SCE-10R86</a>	10.00	8.00	6.00	IS7
<a href="#">SCE-10R104</a>	10.00	10.00	4.00	IS7
<a href="#">SCE-10R106</a>	10.00	10.00	6.00	IS7
<a href="#">SCE-12R104</a>	12.00	10.00	4.00	IS7
<a href="#">SCE-12R106</a>	12.00	10.00	6.00	IS7
<a href="#">SCE-12R124</a>	12.00	12.00	4.00	IS7
<a href="#">SCE-12R126</a>	12.00	12.00	6.00	IS7

# SCREW COVER TYPE 3R ENCLOSURES

## TECHNICAL DATA



# GENERAL PURPOSE TYPE I ENCLOSURES

## Application

Designed to house electrical controls, instruments and components in areas that do not require oil, water and dust tight protection. For installation information, consult our installation manual at [www.saginawcontrol.com](http://www.saginawcontrol.com).

## Construction

- 0.048", 0.060" & 0.075" carbon steel depending on its size.
- Spot weld construction.
- Standoffs provided for mounting optional sub-panels.
- Butt hinge.
- Doors open 180 degrees.
- Black quarter turn latches.
- Latches are opened or closed with a screwdriver.
- Ground stud on door and body.
- Mounting holes in back of enclosure.
- Sub-panel mounting hardware included.

## Options

- Tamper-resistant inserts available.
- Optional mounting straps available

## Finish

ANSI-61 gray powder coated inside and out. Optional sub-panels powder coated white.

## IS8 Industry Standards

NEMA Type 1  
UL Listed Type 1  
CSA Type 1  
IEC 60529 IP30



Enclosure Product Code N1

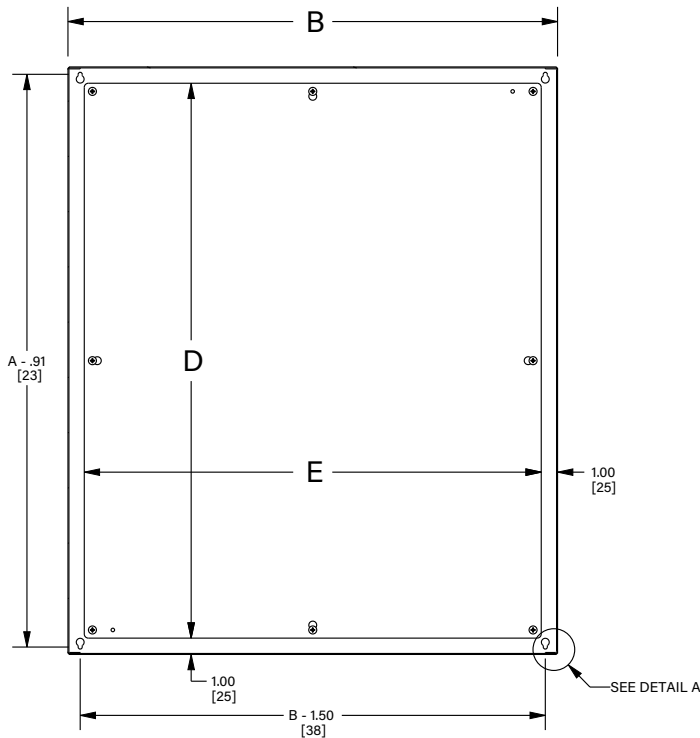
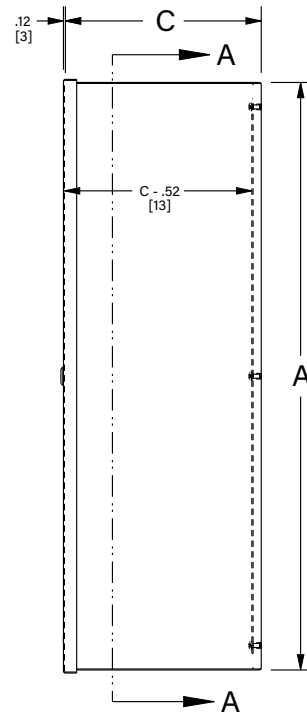
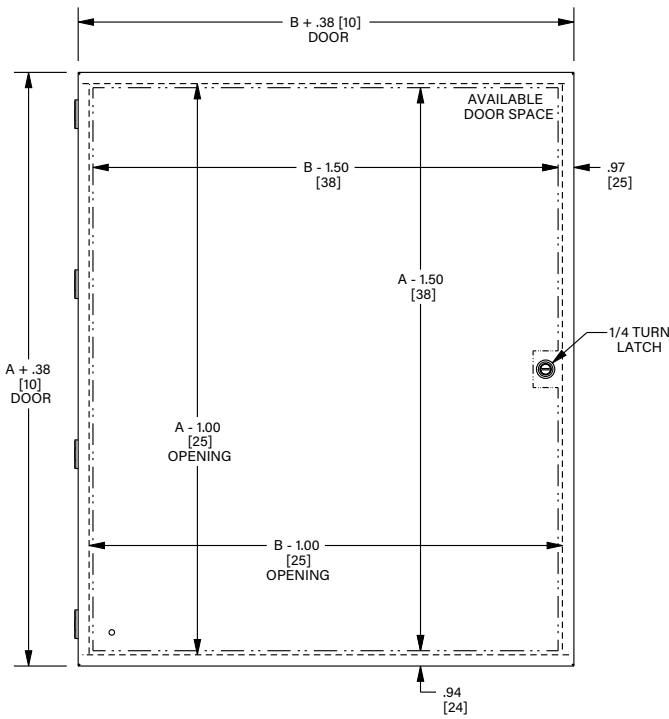
Sub-Panel (N1)

Catalog No.	Height (A)	Width (B)	Depth (C)	Industry Standard	Catalog No.	Panel Height (D)	Panel Width (E)
<a href="#">SCE-6N604LP</a>	6.00	6.00	4.00	IS8	<a href="#">SCE-6N6MP</a>	4.00	4.00
<a href="#">SCE-8N604LP</a>	8.00	6.00	4.00	IS8	<a href="#">SCE-8N6MP</a>	6.00	4.00
<a href="#">SCE-8N804LP</a>	8.00	8.00	4.00	IS8	<a href="#">SCE-8N8MP</a>	6.00	6.00
<a href="#">SCE-8N806LP</a>	8.00	8.00	6.00	IS8	<a href="#">SCE-8N8MP</a>	6.00	6.00
<a href="#">SCE-10N804LP</a>	10.00	8.00	4.00	IS8	<a href="#">SCE-10N8MP</a>	8.00	6.00
<a href="#">SCE-10N806LP</a>	10.00	8.00	6.00	IS8	<a href="#">SCE-10N8MP</a>	8.00	6.00
<a href="#">SCE-10N1004LP</a>	10.00	10.00	4.00	IS8	<a href="#">SCE-10N10MP</a>	8.00	8.00
<a href="#">SCE-10N1006LP</a>	10.00	10.00	6.00	IS8	<a href="#">SCE-10N10MP</a>	8.00	8.00
<a href="#">SCE-12N1004LP</a>	12.00	10.00	4.00	IS8	<a href="#">SCE-12N10MP</a>	10.00	8.00
<a href="#">SCE-12N1006LP</a>	12.00	10.00	6.00	IS8	<a href="#">SCE-12N10MP</a>	10.00	8.00
<a href="#">SCE-12N1204LP</a>	12.00	12.00	4.00	IS8	<a href="#">SCE-12N12MP</a>	10.00	10.00
<a href="#">SCE-12N1206LP</a>	12.00	12.00	6.00	IS8	<a href="#">SCE-12N12MP</a>	10.00	10.00
<a href="#">SCE-12N1208LP</a>	12.00	12.00	8.00	IS8	<a href="#">SCE-12N12MP</a>	10.00	10.00
<a href="#">SCE-14N1204LP</a>	14.00	12.00	4.00	IS8	<a href="#">SCE-14N12MP</a>	12.00	10.00
<a href="#">SCE-14N1206LP</a>	14.00	12.00	6.00	IS8	<a href="#">SCE-14N12MP</a>	12.00	10.00
<a href="#">SCE-14N1208LP</a>	14.00	12.00	8.00	IS8	<a href="#">SCE-14N12MP</a>	12.00	10.00
<a href="#">SCE-16N1206LP</a>	16.00	12.00	6.00	IS8	<a href="#">SCE-16N12MP</a>	14.00	10.00
<a href="#">SCE-16N1208LP</a>	16.00	12.00	8.00	IS8	<a href="#">SCE-16N12MP</a>	14.00	10.00
<a href="#">SCE-16N1606LP</a>	16.00	16.00	6.00	IS8	<a href="#">SCE-16N16MP</a>	14.00	14.00
<a href="#">SCE-16N1608LP</a>	16.00	16.00	8.00	IS8	<a href="#">SCE-16N16MP</a>	14.00	14.00
<a href="#">SCE-16N2006LP</a>	16.00	20.00	6.00	IS8	<a href="#">SCE-20N16MP</a>	18.00	14.00
<a href="#">SCE-20N1606LP</a>	20.00	16.00	6.00	IS8	<a href="#">SCE-20N16MP</a>	18.00	14.00
<a href="#">SCE-20N1608LP</a>	20.00	16.00	8.00	IS8	<a href="#">SCE-20N16MP</a>	18.00	14.00
<a href="#">SCE-20N2006LP</a>	20.00	20.00	6.00	IS8	<a href="#">SCE-20N20MP</a>	18.00	18.00
<a href="#">SCE-20N2008LP</a>	20.00	20.00	8.00	IS8	<a href="#">SCE-20N20MP</a>	18.00	18.00
<a href="#">SCE-20N2010LP</a>	20.00	20.00	10.00	IS8	<a href="#">SCE-20N20MP</a>	18.00	18.00
<a href="#">SCE-24N1606LP</a>	24.00	16.00	6.00	IS8	<a href="#">SCE-24N16MP</a>	22.00	14.00
<a href="#">SCE-24N2006LP</a>	24.00	20.00	6.00	IS8	<a href="#">SCE-24N20MP</a>	22.00	18.00
<a href="#">SCE-24N2008LP</a>	24.00	20.00	8.00	IS8	<a href="#">SCE-24N20MP</a>	22.00	18.00
<a href="#">SCE-24N2010LP</a>	24.00	20.00	10.00	IS8	<a href="#">SCE-24N20MP</a>	22.00	18.00
<a href="#">SCE-24N2406LP</a>	24.00	24.00	6.00	IS8	<a href="#">SCE-24N24MP</a>	22.00	22.00
<a href="#">SCE-24N2408LP</a>	24.00	24.00	8.00	IS8	<a href="#">SCE-24N24MP</a>	22.00	22.00
<a href="#">SCE-24N2412LP</a>	24.00	24.00	12.00	IS8	<a href="#">SCE-24N24MP</a>	22.00	22.00
<a href="#">SCE-30N2406LP</a>	30.00	24.00	6.00	IS8	<a href="#">SCE-30N24MP</a>	28.00	22.00
<a href="#">SCE-30N2408LP</a>	30.00	24.00	8.00	IS8	<a href="#">SCE-30N24MP</a>	28.00	22.00
<a href="#">SCE-30N2412LP</a>	30.00	24.00	12.00	IS8	<a href="#">SCE-30N24MP</a>	28.00	22.00
<a href="#">SCE-30N3008LP</a>	30.00	30.00	8.00	IS8	<a href="#">SCE-30N30MP</a>	28.00	28.00
<a href="#">SCE-36N2406LP</a>	36.00	24.00	6.00	IS8	<a href="#">SCE-36N24MP</a>	34.00	22.00
<a href="#">SCE-36N2408LP</a>	36.00	24.00	8.00	IS8	<a href="#">SCE-36N24MP</a>	34.00	22.00
<a href="#">SCE-36N2412LP</a>	36.00	24.00	12.00	IS8	<a href="#">SCE-36N24MP</a>	34.00	22.00
<a href="#">SCE-36N3006LP</a>	36.00	30.00	6.00	IS8	<a href="#">SCE-36N30MP</a>	34.00	28.00
<a href="#">SCE-36N3008LP</a>	36.00	30.00	8.00	IS8	<a href="#">SCE-36N30MP</a>	34.00	28.00
<a href="#">SCE-36N3012LP</a>	36.00	30.00	12.00	IS8	<a href="#">SCE-36N30MP</a>	34.00	28.00

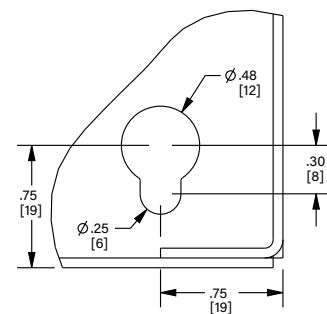


# GENERAL PURPOSE TYPE I ENCLOSURES

## TECHNICAL DATA



SECTION A-A



SEE DETAIL A

# GENERAL PURPOSE TYPE I ENCLOSURES WITH KNOCKOUTS

## Application

Designed to house electrical controls, instruments and components in areas that do not require oil, water and dust tight protection. For installation information, consult our installation manual at [www.saginawcontrol.com](http://www.saginawcontrol.com).

## Construction

- 0.048", 0.063" & 0.075" carbon steel depending on its size.
- Spot weld construction.
- Knockouts provided in the top, bottom, right and left side.
- Standoffs provided for mounting optional sub-panels.
- Butt hinge.
- Doors open 180 degrees.
- Keylocking quarter turn latch.
- Ground stud on door and body.
- Mounting holes in back of enclosure.
- Sub-panel with 2" x 2" mounting grid pattern included.

## Options

- Tamper-resistant inserts available.

## Finish

Precaution Blue or Taupe Tan powder coat finish inside and out. Sub-panels powder coated white.

## IS8 Industry Standards

NEMA Type 1  
 UL Listed Type 1  
 CSA Type 1  
 IEC 60529 IP30



Enclosure Product Code N1

Sub-Panel (N1)

Catalog No.	Height (A)	Width (B)	Depth (C)	Industry Standard	Panel Height (D)	Panel Width (E)
<a href="#">SCE-18N1606NK-T</a>	18.00	16.00	6.00	IS8	16.00	14.00
<a href="#">SCE-18N1606NK-B</a>	18.00	16.00	6.00	IS8	16.00	14.00
<a href="#">SCE-24N2006NK-T</a>	24.00	20.00	6.00	IS8	22.00	18.00
<a href="#">SCE-24N2006NK-B</a>	24.00	20.00	6.00	IS8	22.00	18.00
<a href="#">SCE-36N2406NK-T</a>	36.00	24.00	6.00	IS8	34.00	22.00
<a href="#">SCE-36N2406NK-B</a>	36.00	24.00	6.00	IS8	34.00	22.00

**Note:** Part Numbers ending in the letter:

(B) Precaution Blue

(T) Taupe Tan



# GENERAL PURPOSE TYPE I TROUGH ENCLOSURES

## Application

Designed to house electrical controls, instruments and components in areas that do not require oil, water and dust tight protection. For installation information, consult our installation manual at [www.saginawcontrol.com](http://www.saginawcontrol.com).

## Construction

- 0.048" and 0.060" carbon steel depending on its size.
- Spot weld construction.
- Standoffs provided for mounting optional sub-panels.
- Removable cover.
- Black quarter turn latches.
- Latches are opened or closed with a screwdriver.
- Ground stud on door and body.
- Mounting holes in back of enclosure.
- Sub-panel mounting hardware included.

## Options

- Tamper-resistant quarter turns available.

## Finish

ANSI-61 gray powder coated inside and out.  
Optional sub-panels powder coated white.

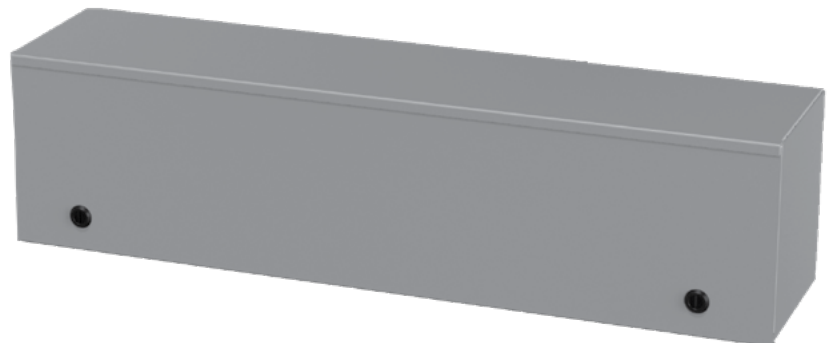
## IS8 Industry Standards

NEMA Type 1  
UL Listed Type 1  
CSA Type 1  
IEC 60529 IP30

Enclosure Product Code N1

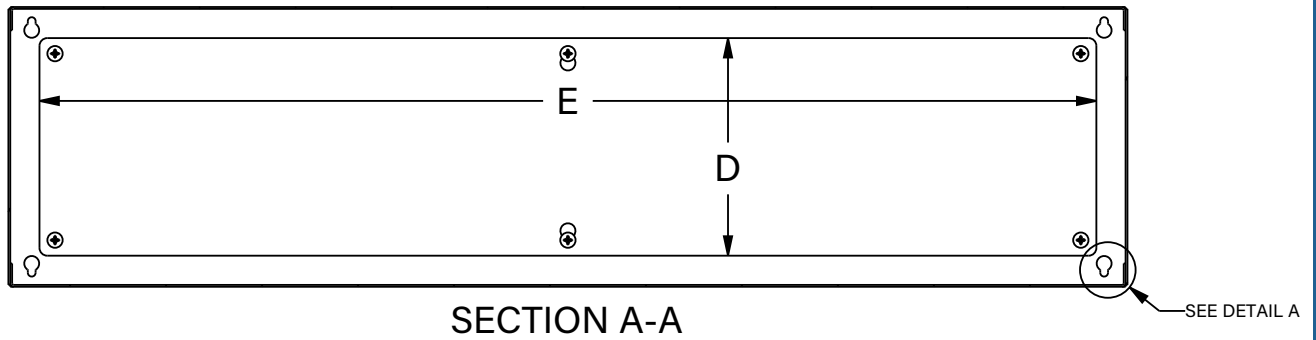
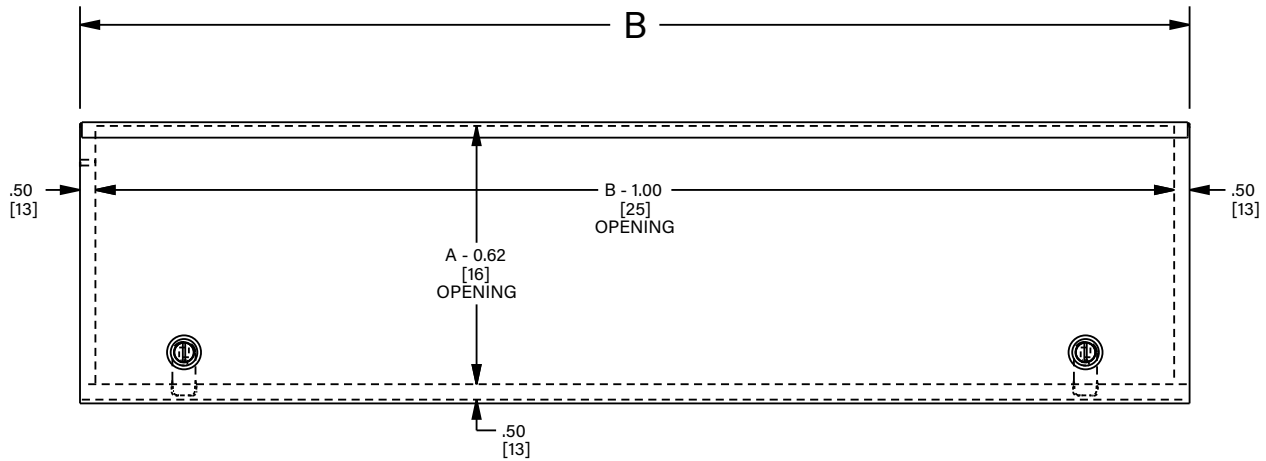
Sub-Panel (P2)

Catalog No.	Height (A)	Width (B)	Depth (C)	Industry Standard	Catalog No.	Panel Height (D)	Panel Width (E)
<a href="#">SCE-L9N126LP</a>	9.00	12.00	6.00	IS8	<a href="#">SCE-9N12MP</a>	7.00	10.00
<a href="#">SCE-L9N128LP</a>	9.00	12.00	8.00	IS8	<a href="#">SCE-9N12MP</a>	7.00	10.00
<a href="#">SCE-L9N186LP</a>	9.00	18.00	6.00	IS8	<a href="#">SCE-9N18MP</a>	7.00	16.00
<a href="#">SCE-L9N188LP</a>	9.00	18.00	8.00	IS8	<a href="#">SCE-9N18MP</a>	7.00	16.00
<a href="#">SCE-L9N246LP</a>	9.00	24.00	6.00	IS8	<a href="#">SCE-9N24MP</a>	7.00	22.00
<a href="#">SCE-L9N248LP</a>	9.00	24.00	8.00	IS8	<a href="#">SCE-9N24MP</a>	7.00	22.00
<a href="#">SCE-L9N306LP</a>	9.00	30.00	6.00	IS8	<a href="#">SCE-9N30MP</a>	7.00	28.00
<a href="#">SCE-L9N308LP</a>	9.00	30.00	8.00	IS8	<a href="#">SCE-9N30MP</a>	7.00	28.00
<a href="#">SCE-L9N368LP</a>	9.00	36.00	8.00	IS8	<a href="#">SCE-9N36MP</a>	7.00	34.00
<a href="#">SCE-L9N366LP</a>	9.00	36.00	6.00	IS8	<a href="#">SCE-9N36MP</a>	7.00	34.00

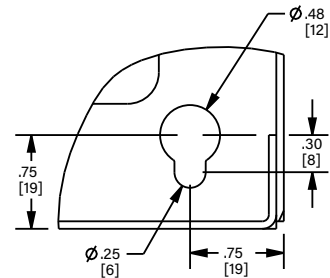
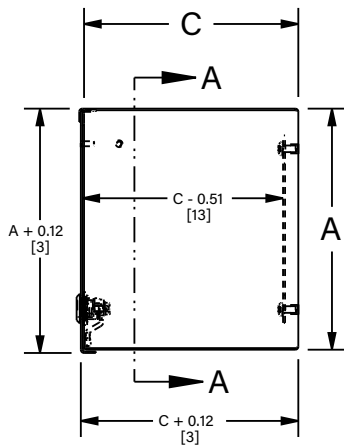


# GENERAL PURPOSE TYPE I TROUGH ENCLOSURES

## TECHNICAL DATA



**LATCH NOTE:**  
Enclosures  $\leq 14.00$  [356] in width require one latch centered on cover.



DETAIL A



*Your Enclosure Source*®

# NOTES



*Your Enclosure Source*®

# NOTES

# FREE-STANDING & FLOOR-MOUNTED ENCLOSURES





130-131



132-133



134-144



138-139



140-143



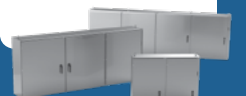
144-151



152-155



156-161



162-163



164-171



172-179



180-187



# ENVIROLINE® SERIES TWO-DOOR ENCLOSURES WITH 3-POINT HARDWARE

## Application

Designed to house electrical and electronic controls, instrumentation and components in indoor & outdoor locations. For outdoor applications a drip shield is recommended. For installation information, consult our installation manual at [www.saginawcontrol.com](http://www.saginawcontrol.com).

## Construction

- 0.104" carbon steel.
- Seams continuously welded and ground smooth.
- Flange trough collar around all sides of door opening.
- Removable center post.
- Heavy duty lifting eyes anchored into reinforced top.
- Body stiffeners.
- Concealed hinges.
- Black keylocking/padlocking handles.
- 3-point latching mechanism.
- Removable print pocket.
- 12" removable floor stands.
- Panel supports.
- Black quarter turn latches as required.
- Provisions for mechanical interlock.
- Pour in place oil & water resistant gasket.
- Ground stud on door and body.
- Provisions for light kit.
- Hole plugs provided to seal holes in bottom of enclosure.

## Options

Provisions for mechanical interlock.  
See Accessory section to order.

## Finish

ANSI-61 gray powder coated inside and out.  
Optional sub-panels powder coated white.

## IS4 Industry Standards

NEMA Type 3R, 4, 12 & Type 13  
UL Listed Type 3R, 4 & 12  
CSA Type 3R, 4 & 12  
IEC 60529 IP66

\*\*\*To maintain Type 3R listing, drainage is required. Install equally rated drainage device or drill a 1/8 to 1/4 inch hole in the bottom center of the enclosure, approximately 1 inch from the right, and 1 inch from the left for drainage, use listed rain-tight or wet location hubs. Drip shield over the door is recommended for all outdoor applications.

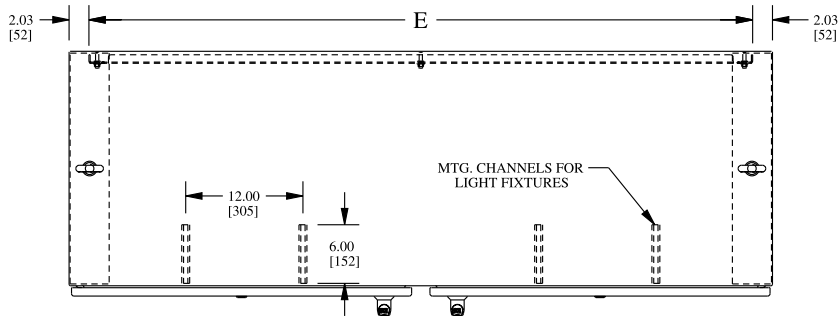
Enclosure Product Code E2

Sub-Panel (P3)

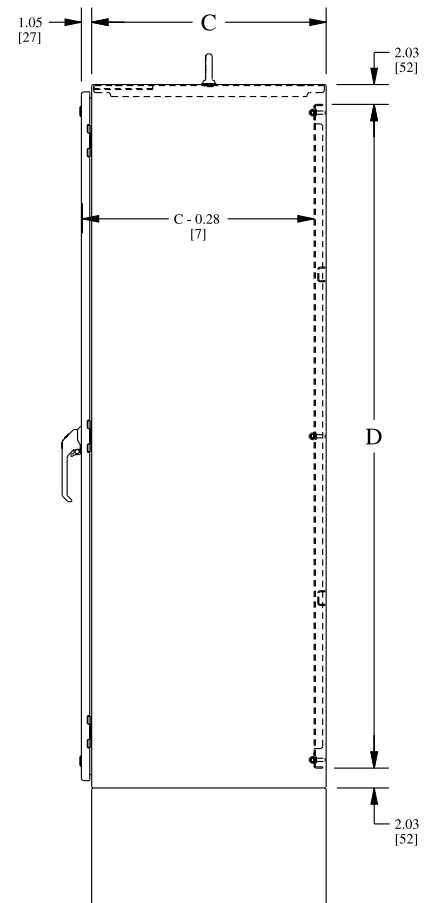
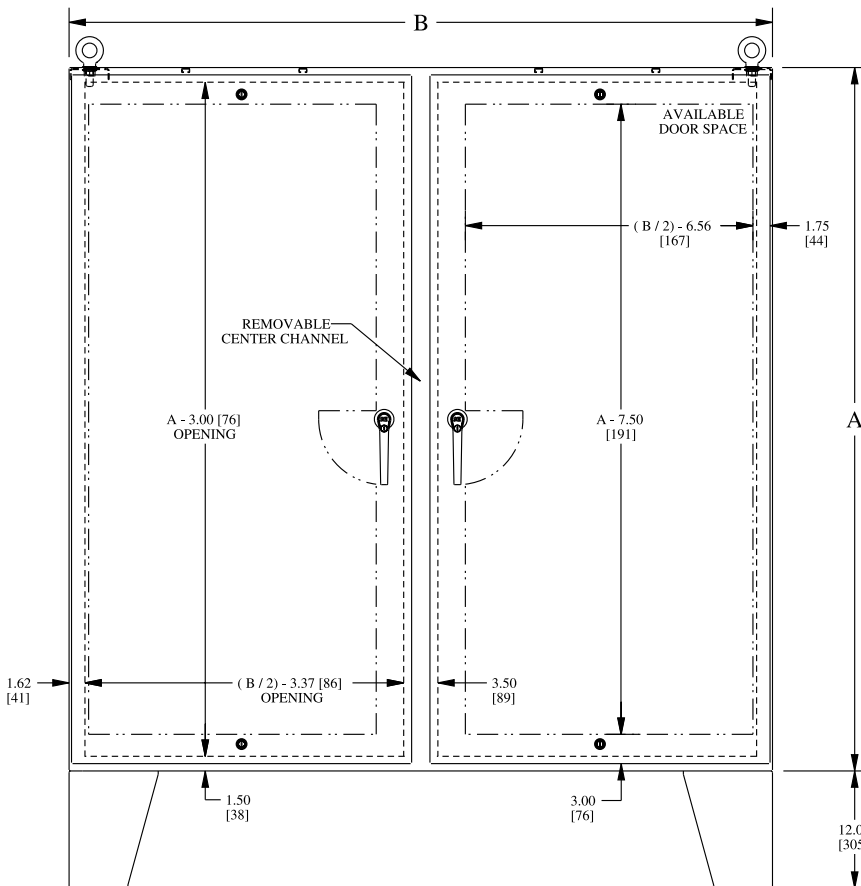
Catalog No.	Height (A)	Width (B)	Depth (C)	Industry Standard	Catalog No.	Panel Height (D)	Panel Width (E)
<a href="#">SCE-60EL4812LPPL</a>	60.00	48.00	12.00	IS4	<a href="#">SCE-60P48</a>	56.00	44.00
<a href="#">SCE-60EL4818LPPL</a>	60.00	48.00	18.00	IS4	<a href="#">SCE-60P48</a>	56.00	44.00
<a href="#">SCE-60EL6012LPPL</a>	60.00	60.00	12.00	IS4	<a href="#">SCE-60P60</a>	56.00	56.00
<a href="#">SCE-60EL6018LPPL</a>	60.00	60.00	18.00	IS4	<a href="#">SCE-60P60</a>	56.00	56.00
<a href="#">SCE-72EL6012LPPL</a>	72.00	60.00	12.00	IS4	<a href="#">SCE-72P60</a>	68.00	56.00
<a href="#">SCE-72EL6018LPPL</a>	72.00	60.00	18.00	IS4	<a href="#">SCE-72P60</a>	68.00	56.00
<a href="#">SCE-72EL7212LPPL</a>	72.00	72.00	12.00	IS4	<a href="#">SCE-72P72</a>	68.00	68.00
<a href="#">SCE-72EL7218LPPL</a>	72.00	72.00	18.00	IS4	<a href="#">SCE-72P72</a>	68.00	68.00
<a href="#">SCE-72EL7224LPPL</a>	72.00	72.00	24.00	IS4	<a href="#">SCE-72P72</a>	68.00	68.00



# ENVIROLINE® SERIES TWO-DOOR ENCLOSURES WITH 3-POINT HARDWARE TECHNICAL DATA



**LATCH NOTE:**  
Omit center latch top and bottom of door when door width is  $< 30.00$  [762]



# OVERLAPPING TWO-DOOR ENCLOSURES

## Application

Designed to house electrical and electronic controls, instruments and components. Provides protection from dust, oil and water. For outdoor applications a drip shield and drain holes are required. For installation information, consult our installation manual at [www.saginawcontrol.com](http://www.saginawcontrol.com)

## Construction

- 0.104" carbon steel.
- Seams continuously welded and ground smooth, no holes or knockouts.
- Strong, rigid construction with body stiffeners.
- Gasketed overlapping doors eliminate need for center post.
- Black zinc die cast keylocking/padlocking handle.
- 3-point latching mechanism.
- Latch rods ramp shoes for easier door closing.
- Concealed hinges.
- Removable print pocket.
- 12" removable floor stands.
- Heavy duty lifting eyes.
- Panel supports.
- Pour in place oil and water resistant gasket.
- Collar studs for mounting optional sub-panel.
- Ground stud on door and body.
- Provisions for light kit.
- Hole plugs provided to seal holes in bottom of enclosure.

## Finish

ANSI-61 gray powder coated inside and out.  
Optional sub-panels powder coated white.

## IS3 Industry Standards

NEMA Type 3R, 12 & Type 13  
UL Listed Type 3R & 12  
CSA Type 3R & 12  
IEC 60529 IP55

\*\*\*To maintain Type 3R listing, drainage is required. Install equally rated drainage device or drill a 1/8 to 1/4 inch hole in the bottom center of the enclosure, approximately 1 inch from the right, and 1 inch from the left for drainage, use listed rain-tight or wet location hubs. Drip shield over the door is recommended for all outdoor applications.

Enclosure Product Code A2

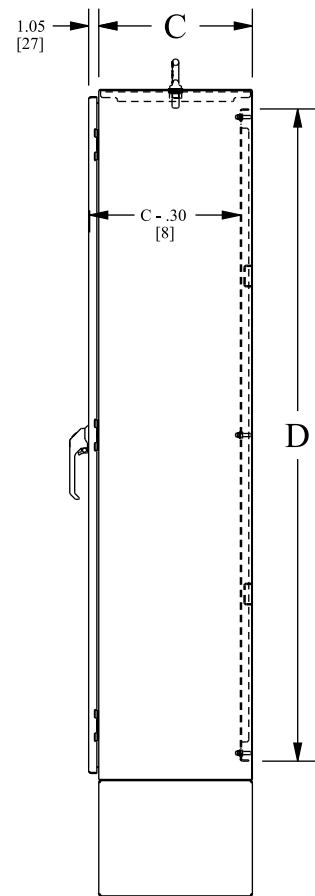
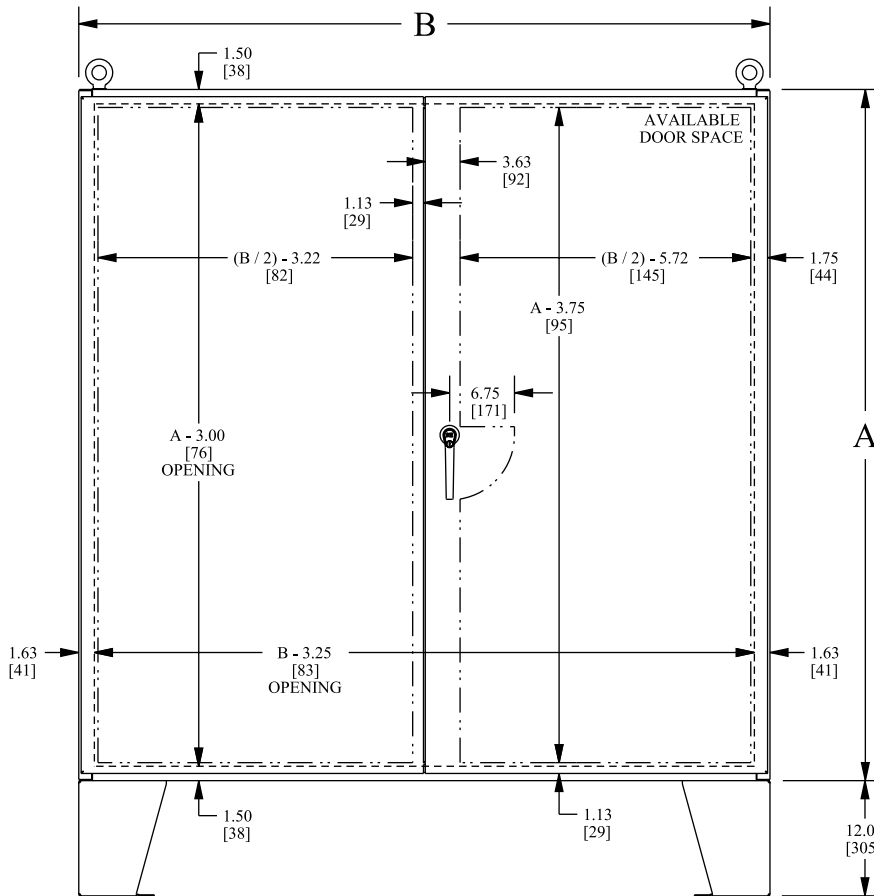
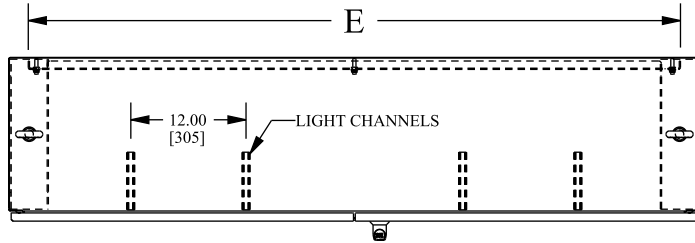
Sub-Panel (P3)

Catalog No.	Height (A)	Width (B)	Depth (C)	Industry Standard	Catalog No.	Panel Height (D)	Panel Width (E)
<a href="#">SCE-604808LP</a>	60.00	48.00	8.00	IS3	<a href="#">SCE-60P48</a>	56.00	44.00
<a href="#">SCE-604810LP</a>	60.00	48.00	10.00	IS3	<a href="#">SCE-60P48</a>	56.00	44.00
<a href="#">SCE-604812LP</a>	60.00	48.00	12.00	IS3	<a href="#">SCE-60P48</a>	56.00	44.00
<a href="#">SCE-604816LP</a>	60.00	48.00	16.00	IS3	<a href="#">SCE-60P48</a>	56.00	44.00
<a href="#">SCE-604824LP</a>	60.00	48.00	24.00	IS3	<a href="#">SCE-60P48</a>	56.00	44.00
<a href="#">SCE-606010LP</a>	60.00	60.00	10.00	IS3	<a href="#">SCE-60P60</a>	56.00	56.00
<a href="#">SCE-606012LP</a>	60.00	60.00	12.00	IS3	<a href="#">SCE-60P60</a>	56.00	56.00
<a href="#">SCE-606016LP</a>	60.00	60.00	16.00	IS3	<a href="#">SCE-60P60</a>	56.00	56.00
<a href="#">SCE-606024LP</a>	60.00	60.00	24.00	IS3	<a href="#">SCE-60P60</a>	56.00	56.00
<a href="#">SCE-726010ULP</a>	72.00	60.00	10.00	IS3	<a href="#">SCE-72P60</a>	68.00	56.00
<a href="#">SCE-726012ULP</a>	72.00	60.00	12.00	IS3	<a href="#">SCE-72P60</a>	68.00	56.00
<a href="#">SCE-726016ULP</a>	72.00	60.00	16.00	IS3	<a href="#">SCE-72P60</a>	68.00	56.00
<a href="#">SCE-726024ULP</a>	72.00	60.00	24.00	IS3	<a href="#">SCE-72P60</a>	68.00	56.00
<a href="#">SCE-727210ULP</a>	72.00	72.00	10.00	IS3	<a href="#">SCE-72P72</a>	68.00	68.00
<a href="#">SCE-727212ULP</a>	72.00	72.00	12.00	IS3	<a href="#">SCE-72P72</a>	68.00	68.00
<a href="#">SCE-727216ULP</a>	72.00	72.00	16.00	IS3	<a href="#">SCE-72P72</a>	68.00	68.00
<a href="#">SCE-727224ULP</a>	72.00	72.00	24.00	IS3	<a href="#">SCE-72P72</a>	68.00	68.00



# OVERLAPPING TWO-DOOR ENCLOSURES

## TECHNICAL DATA



# FREE-STANDING SINGLE-DOOR SINGLE ACCESS ENCLOSURES

## Application

Designed to house a variety of electrical and electronic controls and instruments. Provisions for optional surface mounting or rack mounting of almost any type of equipment. Provides protection from dust, dirt, water and oil. For outdoor applications a drip shield and drain holes are required. The enclosures are extra deep for applications requiring more interior space. For installation information, consult our installation manual at [www.saginawcontrol.com](http://www.saginawcontrol.com).

## Construction

- 0.104" carbon steel.
- Concealed hinges.
- Removable and interchangeable doors.
- Flange trough collar around all sides of door opening.
- Seams continuously welded and ground smooth, no holes or knockouts.
- Lifting eyes for easy handling.
- Black zinc die cast keylocking/padlocking handle.
- 3-point latching mechanism.
- Latch rods have ramp shoes for easier door closing.
- Removable print pocket provided on door.
- Black quarter turn latches as required.
- Mounting channels welded horizontally on sides of interior body at top, bottom and middle for mounting optional panels or rack mounting angles.
- Hole plugs provided to seal holes in bottom of enclosure.
- Pour in place oil and water resistant gasket.
- Ground stud on door and body.
- Provisions for light kit.

Accessories - See Pages 144-151

## Finish

ANSI-61 gray powder coated inside and out. Optional sub-panels powder coated white.

## IS4 Industry Standards

NEMA Type 3R, 4, 12 & Type 13  
 UL Listed Type 3R, 4 & 12  
 CSA Type 3R, 4 & 12  
 IEC 60529 IP66

## IS3 Industry Standards

NEMA Type 3R, 12 & Type 13  
 UL Listed Type 3R & 12  
 CSA Type 3R & 12  
 IEC 60529 IP55

\*\*\*To maintain Type 3R listing, drainage is required. Install equally rated drainage device or drill a 1/8 to 1/4 inch hole in the bottom center of the enclosure, approximately 1 inch from the right, and 1 inch from the left for drainage, use listed rain-tight or wet location hubs. Drip shield over the door is recommended for all outdoor applications.

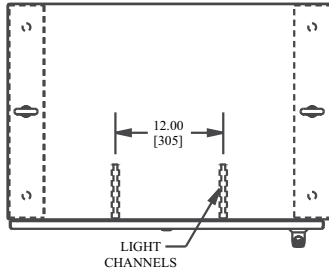
Enclosure Product Code A2

Catalog No.	Height (A)	Width (B)	Depth (C)	Industry Standard
<a href="#">SCE-60EL2418FS</a>	60.00	24.00	18.00	IS4
<a href="#">SCE-603624FS</a>	60.00	36.00	24.00	IS3
<a href="#">SCE-72EL2418FS</a>	72.00	24.00	18.00	IS4
<a href="#">SCE-72EL2424FS</a>	72.00	24.00	24.00	IS4
<a href="#">SCE-72EL3018FS</a>	72.00	30.00	18.00	IS4
<a href="#">SCE-72EL3024FS</a>	72.00	30.00	24.00	IS4
<a href="#">SCE-723618FS</a>	72.00	36.00	18.00	IS3
<a href="#">SCE-72EL3624FS</a>	72.00	36.00	24.00	IS4
<a href="#">SCE-723624FS</a>	72.00	36.00	24.00	IS3
<a href="#">SCE-723630FS</a>	72.00	36.00	30.00	IS3
<a href="#">SCE-723636FS</a>	72.00	36.00	36.00	IS3
<a href="#">SCE-90EL2420FS</a>	90.00	24.00	20.00	IS4
<a href="#">SCE-903620FS</a>	90.00	36.00	20.00	IS3
<a href="#">SCE-903624FS</a>	90.00	36.00	24.00	IS3
<a href="#">SCE-90EL3624FS</a>	90.00	36.00	24.00	IS4
<a href="#">SCE-903636FS</a>	90.00	36.00	36.00	IS3

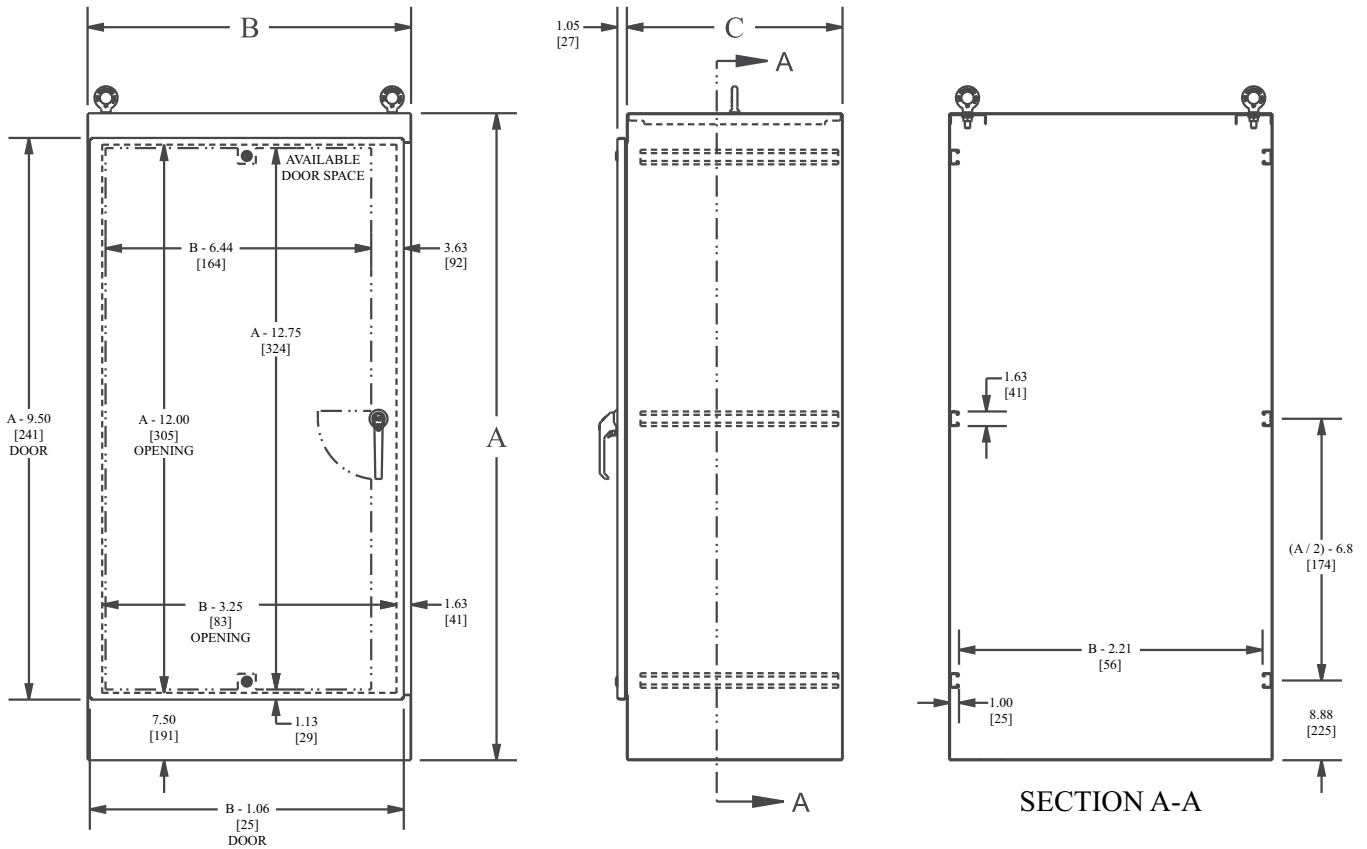
Part numbers that contain the letters "EL" with doors that are over 30 inches wide have quarter turn latches on the center of the door top and bottom.



# FREE-STANDING SINGLE-DOOR SINGLE ACCESS ENCLOSURES TECHNICAL DATA



LATCH NOTE:  
“EL” part numbers with doors  $\geq 30.00$  [762] in width have additional latch centered top and bottom of door.



# FREE-STANDING TWO-DOOR SINGLE ACCESS ENCLOSURES

## Application

Designed to house a variety of electrical and electronic controls and instruments. Provisions for optional surface mounting or rack mounting of almost any type of equipment. Provides protection from dust, dirt, water and oil. For outdoor applications a drip shield and drain holes are required. The enclosures are extra deep for applications requiring more interior space. For installation information, consult our installation manual at [www.saginawcontrol.com](http://www.saginawcontrol.com).

## Construction

- 0.104" carbon steel.
- Concealed hinges.
- Removable and interchangeable doors.
- Flange trough collar around all sides of door opening.
- Seams continuously welded and ground smooth, no holes or knockouts.
- Lifting eyes for easy handling.
- Black zinc die cast keylocking/padlocking handle.
- 3-point latching mechanism.
- Latch rods have ramp shoes for easier door closing.
- Removable print pocket provided on door.
- Black quarter turn latches as required.
- Mounting channels welded horizontally on sides of interior body at top, bottom and middle for mounting optional panels or rack mounting angles.
- Hole plugs provided to seal holes in bottom of enclosure.
- Pour in place oil and water resistant gasket.
- Ground stud on door and body.
- Provisions for light kit.

Accessories - See Pages 144-151

## Finish

ANSI-61 gray powder coated inside and out. Optional sub-panels powder coated white.

## IS3 Industry Standards

NEMA Type 3R, 12 & Type 13

UL Listed Type 3R & 12

CSA Type 3R & 12

IEC 60529 IP55

\*\*\*To maintain Type 3R listing, drainage is required. Install equally rated drainage device or drill a 1/8 to 1/4 inch hole in the bottom center of the enclosure, approximately 1 inch from the right, and 1 inch from the left for drainage, use listed rain-tight or wet location hubs. Drip shield over the door is recommended for all outdoor applications.

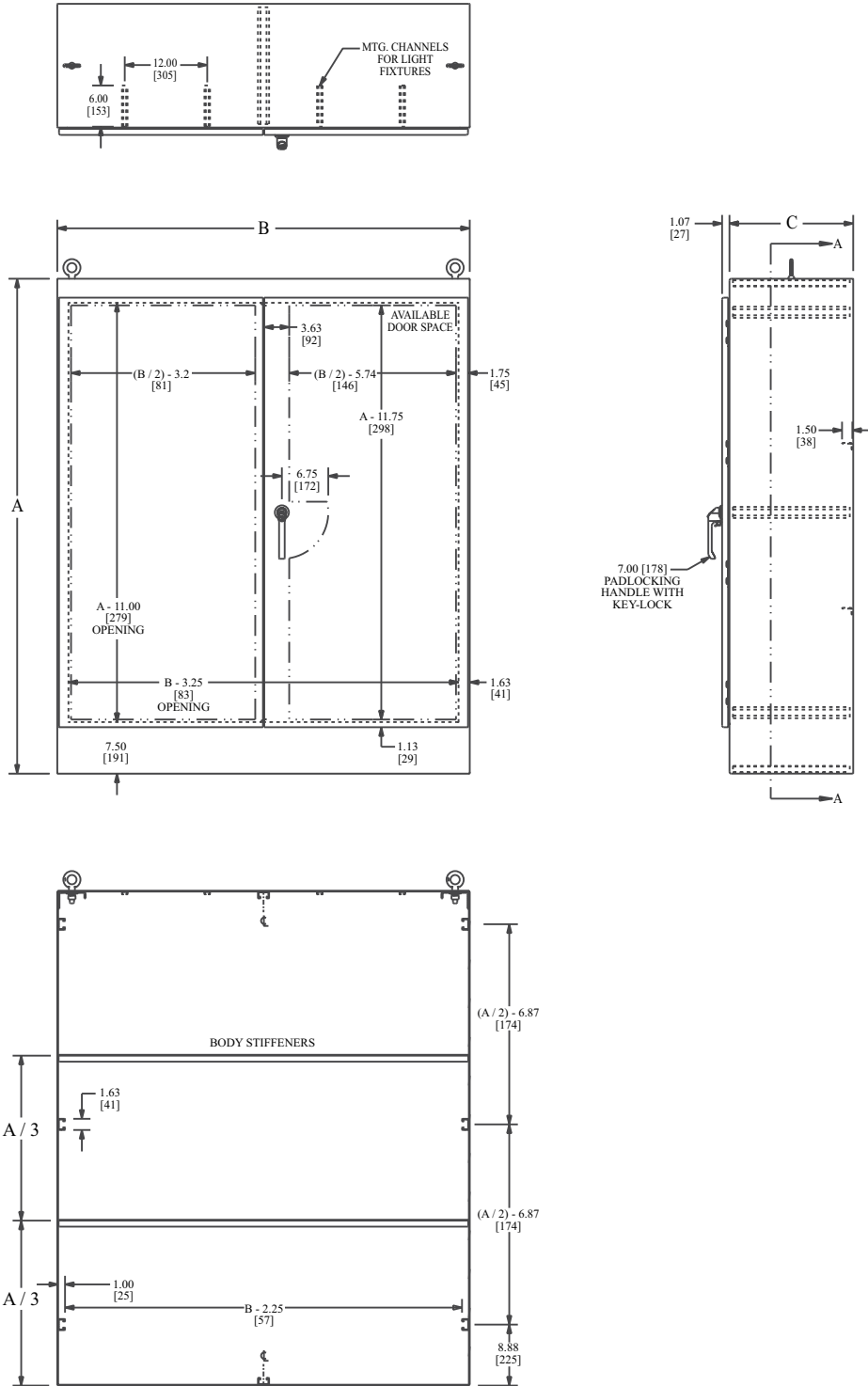
Enclosure Product Code A2

Catalog No.	Height (A)	Width (B)	Depth (C)	Industry Standard
<a href="#">SCE-604818FSD</a>	60.00	48.00	18.00	IS3
<a href="#">SCE-724818FSD</a>	72.00	48.00	18.00	IS3
<a href="#">SCE-724824FSD</a>	72.00	48.00	24.00	IS3
<a href="#">SCE-726018FSD</a>	72.00	60.00	18.00	IS3
<a href="#">SCE-726024FSD</a>	72.00	60.00	24.00	IS3
<a href="#">SCE-726036FSD</a>	72.00	60.00	36.00	IS3
<a href="#">SCE-727218FSD</a>	72.00	72.00	18.00	IS3
<a href="#">SCE-727224FSD</a>	72.00	72.00	24.00	IS3
<a href="#">SCE-904820FSD</a>	90.00	48.00	20.00	IS3
<a href="#">SCE-904824FSD</a>	90.00	48.00	24.00	IS3
<a href="#">SCE-906020FSD</a>	90.00	60.00	20.00	IS3
<a href="#">SCE-907220FSD</a>	90.00	72.00	20.00	IS3
<a href="#">SCE-907224FSD</a>	90.00	72.00	24.00	IS3
<a href="#">SCE-907236FSD</a>	90.00	72.00	36.00	IS3





# FREE-STANDING TWO-DOOR SINGLE ACCESS ENCLOSURES TECHNICAL DATA



SECTION A-A

# ENVIROLINE® SERIES FREE-STANDING TWO-DOOR SINGLE ACCESS ENCLOSURES

## Application

Designed to house a variety of electrical and electronic controls and instruments. Provisions for optional surface mounting or rack mounting of almost any type of equipment. Provides protection from dust, dirt, water and oil. For outdoor applications a drip shield and drain holes are required. The enclosures are extra deep for applications requiring more interior space.

## Construction

- 0.104" carbon steel.
- Removable and interchangeable doors.
- Concealed hinges.
- Seams continuously welded and ground smooth.
- Strong, rigid construction with stiffeners welded on backs of single access boxes.
- Lifting eyes for easy handling.
- Black zinc die cast keylocking/padlocking handle.
- 3-point latching mechanism.
- Latch rods have ramp shoes for easier door closing.
- Flange trough collar around all sides of door opening.
- Removable center post.
- Removable print pocket.
- Mounting channels welded horizontally on sides of interior body at top, bottom and middle for mounting optional panels or rack mounting angles.
- Hole plugs provided to seal holes in bottom of enclosure.
- Pour in place oil and water resistant gasket.
- Ground stud on door and body.
- Provisions for light kit.

Accessories - See Pages 144-151

## Finish

ANSI-61 gray powder coated inside and out. Optional sub-panels powder coated white.

## IS4 Industry Standards

NEMA Type 3R, 4, 12 & Type 13  
 UL Listed Type 3R, 4 & 12  
 CSA Type 3R, 4 & 12  
 IEC 60529 IP66

\*\*\*To maintain Type 3R listing, drainage is required. Install equally rated drainage device or drill a 1/8 to 1/4 inch hole in the bottom center of the enclosure, approximately 1 inch from the right, and 1 inch from the left for drainage, use listed rain-tight or wet location hubs. Drip shield over the door is recommended for all outdoor applications.

Enclosure Product Code A2

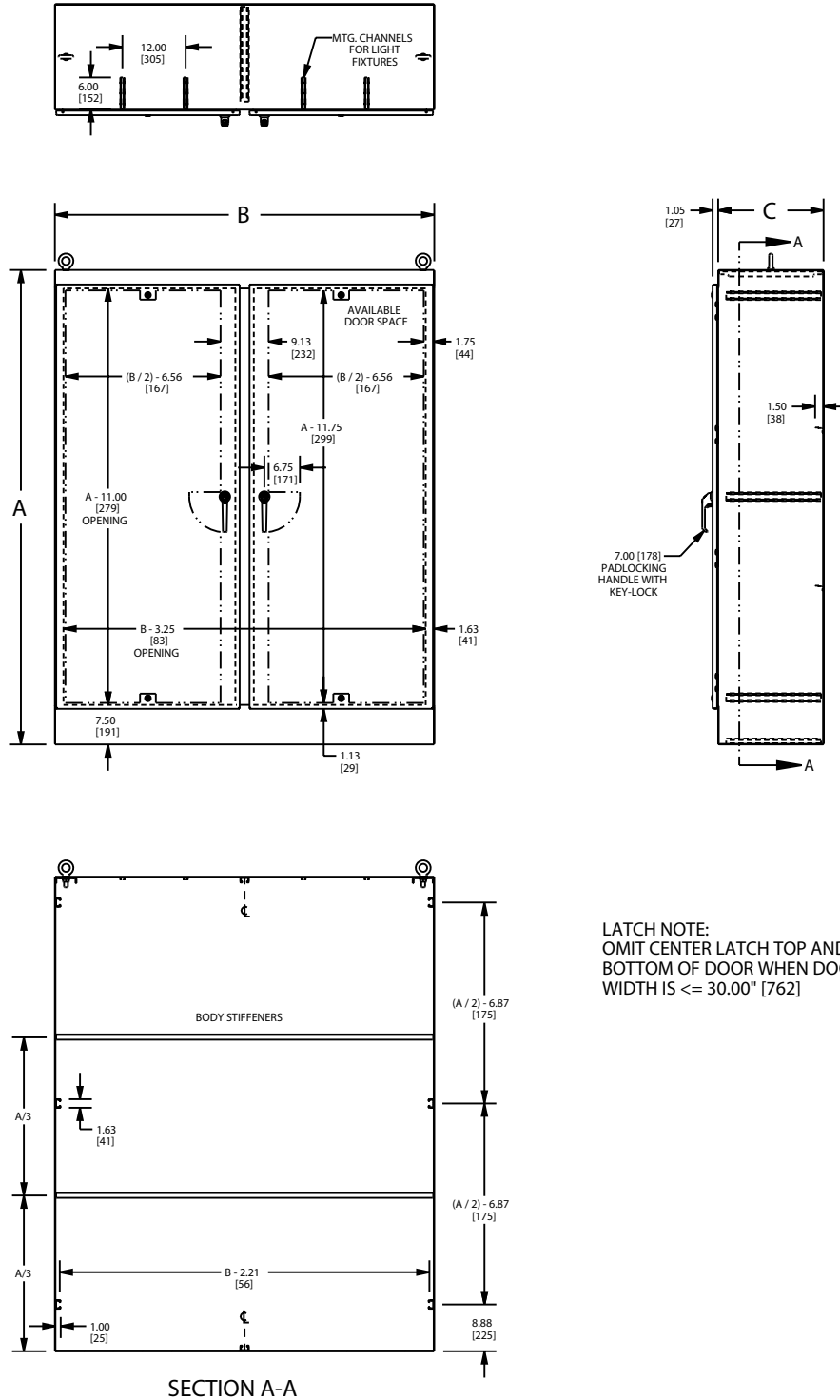
Catalog No.	Height (A)	Width (B)	Depth (C)	Industry Standard
<a href="#">SCE-60EL4818FSD</a>	60.00	48.00	18.00	IS4
<a href="#">SCE-72EL4818FSD</a>	72.00	48.00	18.00	IS4
<a href="#">SCE-72EL4824FSD</a>	72.00	48.00	24.00	IS4
<a href="#">SCE-72EL6018FSD</a>	72.00	60.00	18.00	IS4
<a href="#">SCE-72EL6024FSD</a>	72.00	60.00	24.00	IS4
<a href="#">SCE-72EL6036FSD</a>	72.00	60.00	36.00	IS4
<a href="#">SCE-72EL7218FSD</a>	72.00	72.00	18.00	IS4
<a href="#">SCE-72EL7224FSD</a>	72.00	72.00	24.00	IS4
<a href="#">SCE-90EL4820FSD</a>	90.00	48.00	20.00	IS4
<a href="#">SCE-90EL7220FSD</a>	90.00	72.00	20.00	IS4
<a href="#">SCE-90EL7224FSD</a>	90.00	72.00	24.00	IS4
<a href="#">SCE-90EL7236FSD</a>	90.00	72.00	36.00	IS4

Part numbers that contain the letters "EL" with doors that are over 30 inches wide have quarter turn latches on the center of the door top and bottom.



# ENVIROLINE® SERIES FREE-STANDING TWO-DOOR SINGLE ACCESS ENCLOSURES

## TECHNICAL DATA



LATCH NOTE:  
OMIT CENTER LATCH TOP AND  
BOTTOM OF DOOR WHEN DOOR  
WIDTH IS  $\leq 30.00"$  [762]

# FREE-STANDING SINGLE-DOOR DUAL ACCESS ENCLOSURES

## Application

Designed to house a variety of electrical and electronic controls and instruments. Provisions for optional surface mounting or rack mounting of almost any type of equipment. Provides protection from dust, dirt, water and oil. For outdoor applications a drip shield and drain holes are required. The enclosures are extra deep for applications requiring more interior space. For installation information, consult our installation manual at [www.saginawcontrol.com](http://www.saginawcontrol.com).

## Construction

- 0.104" carbon steel.
- Seams continuously welded and ground smooth, no holes or knockouts.
- Strong, rigid construction.
- Lifting eyes for easy handling.
- Black zinc die cast keylocking/padlocking handle.
- 3-point latching mechanism.
- Latch rods have ramp shoes for easier door closing.
- Concealed hinges.
- Flange trough collar around all sides of door opening.
- Removable print pocket on door.
- Black quarter turn latches as required.
- Mounting channels welded horizontally on sides of interior body at top, bottom and middle for mounting optional panels or rack mounting angles.
- Hole plugs provided to seal holes in bottom of enclosure.
- Pour in place oil and water resistant gasket.
- Ground stud on door and body.
- Removable and interchangeable doors.
- Provisions for light kit.

Accessories - See Pages 144-151

## Finish

ANSI-61 gray powder coated inside and out. Optional sub-panels powder coated white.

## IS4 Industry Standards

NEMA Type 3R, 4, 12 & Type 13  
 UL Listed Type 3R, 4 & 12  
 CSA Type 3R, 4 & 12  
 IEC 60529 IP66

## IS3 Industry Standards

NEMA Type 3R, 12 & Type 13  
 UL Listed Type 3R & 12  
 CSA Type 3R & 12  
 IEC 60529 IP55

\*\*\*To maintain Type 3R listing, drainage is required. Install equally rated drainage device or drill a 1/8 to 1/4 inch hole in the bottom center of the enclosure, approximately 1 inch from the right, and 1 inch from the left for drainage, use listed rain-tight or wet location hubs. Drip shield over the door is recommended for all outdoor applications.

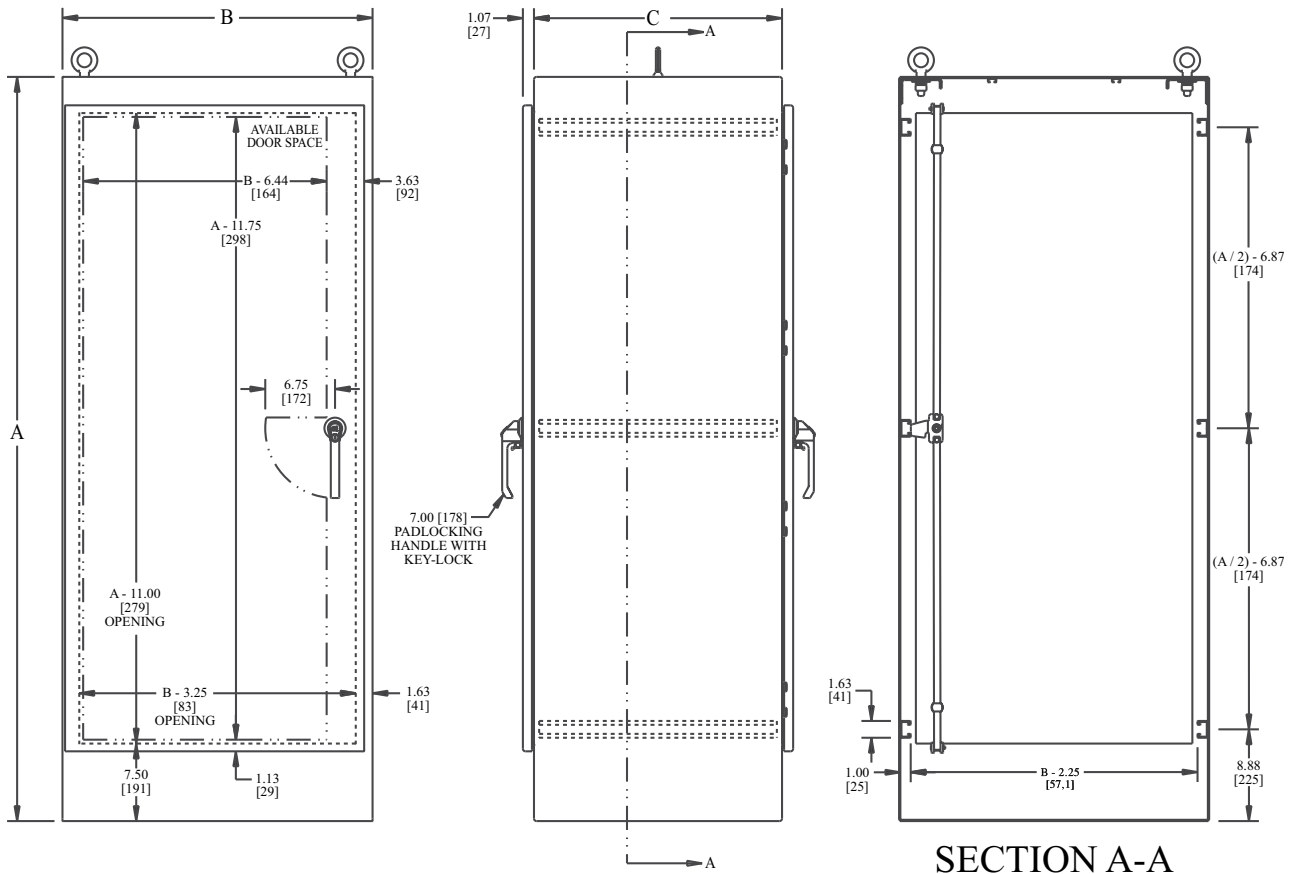
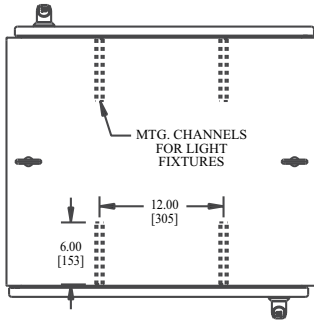
Enclosure Product Code A2

Catalog No.	Height (A)	Width (B)	Depth (C)	Industry Standard
<a href="#">SCE-72EL2424FSDA</a>	72.00	24.00	24.00	IS4
<a href="#">SCE-72EL2430FSDA</a>	72.00	24.00	30.00	IS4
<a href="#">SCE-72EL2436FSDA</a>	72.00	24.00	36.00	IS4
<a href="#">SCE-72EL3024FSDA</a>	72.00	30.00	24.00	IS4
<a href="#">SCE-723624FSDA</a>	72.00	36.00	24.00	IS3
<a href="#">SCE-723636FSDA</a>	72.00	36.00	36.00	IS3
<a href="#">SCE-903624FSDA</a>	90.00	36.00	24.00	IS3
<a href="#">SCE-903636FSDA</a>	90.00	36.00	36.00	IS3

Part numbers that contain the letters "EL" with doors that are over 30 inches wide have quarter turn latches on the center of the door top and bottom.



# FREE-STANDING SINGLE-DOOR DUAL ACCESS ENCLOSURES TECHNICAL DATA



# FREE-STANDING TWO-DOOR DUAL ACCESS ENCLOSURES

Enclosure Product Code A2

Catalog No.	Height (A)	Width (B)	Depth (C)	Industry Standard
<a href="#">SCE-724824FSDAD</a>	72.00	48.00	24.00	IS3
<a href="#">SCE-726024FSDAD</a>	72.00	60.00	24.00	IS3
<a href="#">SCE-726036FSDAD</a>	72.00	60.00	36.00	IS3
<a href="#">SCE-727224FSDAD</a>	72.00	72.00	24.00	IS3
<a href="#">SCE-907224FSDAD</a>	90.00	72.00	24.00	IS3

## Application

Designed to house a variety of electrical and electronic controls and instruments. Provisions for optional surface mounting or rack mounting of almost any type of equipment. Provides protection from dust, dirt, water and oil. For outdoor applications a drip shield and drain holes are required. The enclosures are extra deep for applications requiring more interior space. For installation information, consult our installation manual at [www.saginawcontrol.com](http://www.saginawcontrol.com).

## Construction

- 0.104" carbon steel.
- Seams continuously welded and ground smooth, no holes or knockouts.
- Strong rigid construction.
- Lifting eyes for easy handling.
- Black zinc die cast keylocking/padlocking handle.
- 3-point latching mechanism.
- Latch rods have ramp shoes for easier door closing.
- Concealed hinges.
- Flange trough collar around all sides of door opening.
- Removable print pocket on door with 3-point latch.
- Mounting channels welded horizontally on sides of interior body at top, bottom and middle for mounting optional panels or rack mounting angles.
- Hole plugs provided to seal holes in bottom of enclosure.
- Pour in place oil and water resistant gasket.
- Ground stud on door and body.
- Removable and interchangeable doors.
- Provisions for light kit.

Accessories - See Pages 144-151

## Finish

ANSI-61 gray powder coated inside and out.  
Optional sub-panels powder coated white.

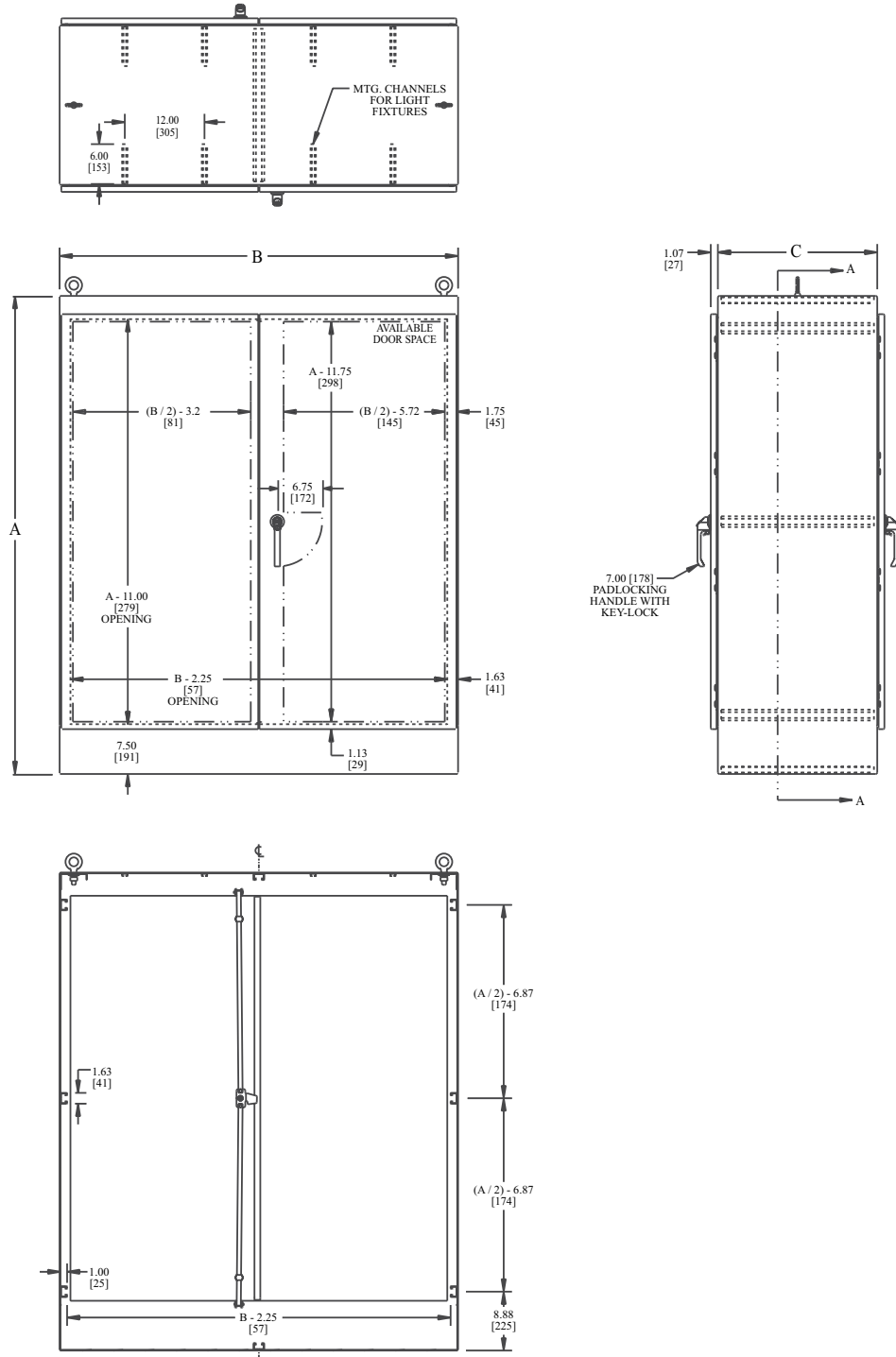
## IS3 Industry Standards

NEMA Type 3R, 12 & Type 13  
UL Listed Type 3R & 12  
CSA Type 3R & 12  
IEC 60529 IP55

\*\*\*To maintain Type 3R listing, drainage is required. Install equally rated drainage device or drill a 1/8 to 1/4 inch hole in the bottom center of the enclosure, approximately 1 inch from the right, and 1 inch from the left for drainage, use listed rain-tight or wet location hubs. Drip shield over the door is recommended for all outdoor applications.



# FREE-STANDING TWO-DOOR DUAL ACCESS ENCLOSURES TECHNICAL DATA



SECTION A-A



Your Enclosure Source®

# SINGLE-DOOR - SINGLE ACCESS ACCESSORY SELECTION GUIDE

Part Number	Description	Size	SCE-60EL2418FS/SSFS	SCE-603624FS/SSFS	SCE-72EL2418FS/SSFS	SCE-72EL2424FS/SSFS	SCE-72EL3018FS/SSFS	SCE-72EL3024FS/SSFS	SCE-723618FS/SSFS	SCE-723624FS/SSFS	SCE-723630FS/SSFS	SCE-723636FS/SSFS	SCE-90EL2420FS/SSFS	SCE-903620FS/SSFS	SCE-903624FS/SSFS	SCE-903636FS/SSFS
<a href="#">SCE-60P24F1</a>	Full Panel	48.00H x 20.00W	•	A	A								A			
<a href="#">SCE-60P36F1</a>	Full Panel	48.00H x 32.00W		•					A	A	A	A		A	A	A
<a href="#">SCE-72P24F1</a>	Full Panel	60.00H x 20.00W			•	•							A			
<a href="#">SCE-72P30F1</a>	Full Panel	60.00H x 26.00W					•	•								
<a href="#">SCE-72P36F1</a>	Full Panel	60.00H x 32.00W							•	•	•	•		A	A	A
<a href="#">SCE-90P24F1</a>	Full Panel	78.00H x 20.00W											•			
<a href="#">SCE-90P36F1</a>	Full Panel	78.00H x 32.00W												•	•	•
<a href="#">SCE-60P24F2</a>	Half Panel	24.88H x 20.00W	•	A	A								A			
<a href="#">SCE-60P36F2</a>	Half Panel	24.88H x 32.00W		•					A	A	A	A		A	A	A
<a href="#">SCE-72P24F2</a>	Half Panel	30.88H x 20.00W	A	•	•								A			
<a href="#">SCE-72P30F2</a>	Half Panel	30.88H x 26.00W					•	•								
<a href="#">SCE-72P36F2</a>	Half Panel	30.88H x 32.00W		A					•	•	•	•		A	A	A
<a href="#">SCE-90P24F2</a>	Half Panel	39.88H x 20.00W	A		A	A							•			
<a href="#">SCE-90P36F2</a>	Half Panel	39.88H x 32.00W		A					A	A	A	A		•	•	•
<a href="#">SCE-60SMP14</a>	Side Panel	48.00H x 14.00W	•	•												
<a href="#">SCE-72SMP14</a>	Side Panel	60.00H x 14.00W			•	•	•	•	•	•	•	•				
<a href="#">SCE-72SMP20</a>	Side Panel	60.00H x 20.00W				•	•	•	•	•	•					
<a href="#">SCE-90SMP14</a>	Side Panel	78.00H x 14.00W											•	•	•	•
<a href="#">SCE-90SMP20</a>	Side Panel	78.00H x 20.00W														•
<a href="#">SCE-90SMP30</a>	Side Panel	78.00H x 30.00W														•
<a href="#">SCE-72SP24F3</a>	Full Swing-Out Panel	60.00H x 18.81W			•	•										
<a href="#">SCE-72SP30F3</a>	Full Swing-Out Panel	60.00H x 24.81W					•	•								
<a href="#">SCE-72SP36F3</a>	Full Swing-Out Panel	60.00H x 30.81W							•	•	•	•				
<a href="#">SCE-90SP36F3</a>	Full Swing-Out Panel	78.00H x 30.81W												•	•	•
<a href="#">SCE-72SP24F4</a>	Half Swing-Out Panel	30.88H x 18.81W			•	•										
<a href="#">SCE-72SP30F4</a>	Half Swing-Out Panel	30.88H x 24.81W					•	•								
<a href="#">SCE-72SP36F4</a>	Half Swing-Out Panel	30.88H x 30.81W							•	•	•	•				
<a href="#">SCE-90SP36F4</a>	Half Swing-Out Panel	39.88H x 30.81W												•	•	•
<a href="#">SCE-7230SOF19</a>	Swing-Out Rack Frame	60.50H x 27.56W					•	•								
<a href="#">SCE-7236SOF19</a>	Swing-Out Rack Frame	60.50H x 33.56W							•	•	•	•				
<a href="#">SCE-9036SOF19</a>	Swing-Out Rack Frame	78.50H x 33.56W												•	•	•
<a href="#">SCE-14RMW</a>	Removable Wire Cover	14.00D	•	•			•	•								
<a href="#">SCE-20RMW</a>	Removable Wire Cover	20.00D		•	•		•	•	•	•	•	•		•	•	•
<a href="#">SCE-60RA19TH</a>	Type RA Rack Angle	49.00H	•	•	•								•			
<a href="#">SCE-72RA19TH</a>	Type RA Rack Angle	61.25H			•	•							•			
<a href="#">SCE-72RA24TH</a>	Type RA Rack Angle	61.25H					•	•								
<a href="#">SCE-90RA19TH</a>	Type RA Rack Angle	78.75H											•			
<a href="#">SCE-60RP24F5</a>	Type RP Full Rack Angle	49.00H	•	•	•								•			
<a href="#">SCE-72RP24F5</a>	Type RP Full Rack Angle	61.25H			•	•							•			
<a href="#">SCE-72RP30F5</a>	Type RP Full Rack Angle	61.25H					•	•								
<a href="#">SCE-90RP24F5</a>	Type RP Full Rack Angle	78.75H											•			
<a href="#">SCE-60RP24F6</a>	Type RP Half Rack Angle	26.25H	•													
<a href="#">SCE-72RP24F6</a>	Type RP Half Rack Angle	31.50H	•	•	•											
<a href="#">SCE-72RP30F6</a>	Type RP Half Rack Angle	31.50H					•	•								
<a href="#">SCE-90RP24F6</a>	Type RP Half Rack Angle	40.25H	•	•	•								•			
<a href="#">SCE-60FSHDPS</a>	Heavy Duty Panel Support	57.25H	•	•												
<a href="#">SCE-72FSHDPS</a>	Heavy Duty Panel Support	69.25H			•	•	•	•	•	•	•	•				
<a href="#">SCE-90FSHDPS</a>	Heavy Duty Panel Support	87.25H											•	•	•	•

144

A - Requires heavy duty panel supports (SCE-FSHDPS\*)  
 B - Requires center panel support (SCE-FSCPS\*)  
 C - Cannot be used when other panels are installed

• - Installation does not require additional supports or hardware  
 \* - Blank space - Height of enclosure





Your Enclosure Source®

# TWO-DOOR - SINGLE ACCESS ACCESSORY SELECTION GUIDE

Part Number	Description	Size	SCE-604818FSD/SSFSD	SCE-724818FSD/SSFSD	SCE-724824FSD/SSFSD	SCE-726018FSD/SSFSD	SCE-726024FSD/SSFSD	SCE-726036FSD/SSFSD	SCE-727218FSD/SSFSD	SCE-727224FSD/SSFSD	SCE-904820FSD/SSFSD	SCE-904824FSD/SSFSD	SCE-907220FSD/SSFSD	SCE-907224FSD/SSFSD	SCE-907236FSD/SSFSD
<a href="#">SCE-60P24F1</a>	Full Panel	48.00H x 20.00W	B	AB	AB						AB	AB			
<a href="#">SCE-60P36F1</a>	Full Panel	48.00H x 32.00W							AB	AB			AB	AB	AB
<a href="#">SCE-60P48F1</a>	Full Panel	48.00H x 44.00W	•	A	A						A	A			
<a href="#">SCE-72P24F1</a>	Full Panel	60.00H x 20.00W		B	B						AB	AB			
<a href="#">SCE-72P30F1</a>	Full Panel	60.00H x 26.00W				B	B	B							
<a href="#">SCE-72P36F1</a>	Full Panel	60.00H x 32.00W							B	B			AB	AB	AB
<a href="#">SCE-72P48F1</a>	Full Panel	60.00H x 44.00W	•	•							A	A			
<a href="#">SCE-72P60F1</a>	Full Panel	60.00H x 56.00W				•	•	•							
<a href="#">SCE-72P72F1</a>	Full Panel	60.00H x 68.00W							•	•			A	A	A
<a href="#">SCE-90P24F1</a>	Full Panel	78.00H x 20.00W									B	B			
<a href="#">SCE-90P36F1</a>	Full Panel	78.00H x 32.00W											B	B	B
<a href="#">SCE-90P48F1</a>	Full Panel	78.00H x 44.00W									•	•			
<a href="#">SCE-90P72F1</a>	Full Panel	78.00H x 68.00W											•	•	•
<a href="#">SCE-60P24F2</a>	Half Panel	24.88H x 20.00W	B	AB	AB							AB	AB		
<a href="#">SCE-60P36F2</a>	Half Panel	24.88H x 32.00W							AB	AB				AB	AB
<a href="#">SCE-72P24F2</a>	Half Panel	30.88H x 20.00W	AB	B	B						AB	AB			
<a href="#">SCE-72P30F2</a>	Half Panel	30.88H x 26.00W				B	B	B							
<a href="#">SCE-72P36F2</a>	Half Panel	30.88H x 32.00W							B	B			AB	AB	AB
<a href="#">SCE-72P48F2</a>	Half Panel	30.88H x 44.00W	A	•	•						A	A			
<a href="#">SCE-72P60F2</a>	Half Panel	30.88H x 56.00W				•	•	•							
<a href="#">SCE-72P72F2</a>	Half Panel	30.88H x 68.00W							•	•			A	A	A
<a href="#">SCE-90P24F2</a>	Half Panel	39.88H x 20.00W	AB	AB	AB						B	B			
<a href="#">SCE-90P36F2</a>	Half Panel	39.88H x 32.00W							AB	AB			B	B	B
<a href="#">SCE-90P48F2</a>	Half Panel	39.88H x 44.00W		A	A						•	•			
<a href="#">SCE-90P72F2</a>	Half Panel	39.88H x 68.00W							A	A			•	•	•
<a href="#">SCE-60SMP14</a>	Side Panel	48.00H x 14.00W	C												
<a href="#">SCE-72SMP14</a>	Side Panel	60.00H x 14.00W		C	•	C	•	•	C	•					
<a href="#">SCE-72SMP20</a>	Side Panel	60.00H x 20.00W			C		C	•		C					
<a href="#">SCE-90SMP14</a>	Side Panel	78.00H x 14.00W									•	•	•	•	•
<a href="#">SCE-90SMP20</a>	Side Panel	78.00H x 20.00W										C		C	•
<a href="#">SCE-90SMP30</a>	Side Panel	78.00H x 30.00W													•
<a href="#">SCE-72SP24F3</a>	Full Swing-Out Panel	60.00H x 18.81W		B	B										
<a href="#">SCE-72SP30F3</a>	Full Swing-Out Panel	60.00H x 24.81W				B	B	B							
<a href="#">SCE-72SP36F3</a>	Full Swing-Out Panel	60.00H x 30.81W							B	B					
<a href="#">SCE-90SP36F3</a>	Full Swing-Out Panel	78.00H x 30.81W											B	B	B
<a href="#">SCE-72SP24F4</a>	Half Swing-Out Panel	30.88H x 18.81W		B	B										
<a href="#">SCE-72SP30F4</a>	Half Swing-Out Panel	30.88H x 24.81W				B	B	B							
<a href="#">SCE-72SP36F4</a>	Half Swing-Out Panel	30.88H x 30.81W							B	B					
<a href="#">SCE-90SP36F4</a>	Half Swing-Out Panel	39.88H x 30.81W											B	B	B
<a href="#">SCE-7230SOF19</a>	Swing-Out Rack Frame	60.50H x 27.56W				B	B	B							
<a href="#">SCE-7236SOF19</a>	Swing-Out Rack Frame	60.50H x 33.56W							B	B					
<a href="#">SCE-9036SOF19</a>	Swing-Out Rack Frame	78.50H x 33.56W											B	B	B
<a href="#">SCE-14RMW</a>	Removable Wire Cover	14.00D	•	•	•				•						
<a href="#">SCE-20RMW</a>	Removable Wire Cover	20.00D			•	•	•	•	•	•	•	•	•	•	•
<a href="#">SCE-60RA19TH</a>	Type RA Rack Angle	49.00H	B	B	B						B				
<a href="#">SCE-72RA19TH</a>	Type RA Rack Angle	61.25H		B	B						B				
<a href="#">SCE-72RA24TH</a>	Type RA Rack Angle	61.25H				B	B	B							
<a href="#">SCE-90RA19TH</a>	Type RA Rack Angle	78.75H									B				
<a href="#">SCE-60RP24F5</a>	Type RP Full Rack Angle	49.00H		B	B						B				
<a href="#">SCE-72RP24F5</a>	Type RP Full Rack Angle	61.25H	B	B	B						B				
<a href="#">SCE-72RP30F5</a>	Type RP Full Rack Angle	61.25H				B	B	B							
<a href="#">SCE-90RP24F5</a>	Type RP Full Rack Angle	78.75H									B				
<a href="#">SCE-60RP24F6</a>	Type RP Half Rack Angle	26.25H	B												
<a href="#">SCE-72RP24F6</a>	Type RP Half Rack Angle	31.50H	B	B	B										
<a href="#">SCE-72RP30F6</a>	Type RP Half Rack Angle	31.50H				B	B	B							
<a href="#">SCE-90RP24F6</a>	Type RP Half Rack Angle	40.25H	B	B	B						B				
<a href="#">SCE-60FSHDPS</a>	Heavy Duty Panel Support	57.25H	B												
<a href="#">SCE-72FSHDPS</a>	Heavy Duty Panel Support	69.25H		B	B	B	B	B	B	B					
<a href="#">SCE-90FSHDPS</a>	Heavy Duty Panel Support	87.25H									B	B	B	B	B
<a href="#">SCE-60FSCPS</a>	Center Panel Support	56.00H	•												
<a href="#">SCE-72FSCPS</a>	Center Panel Support	68.00H		•	•	•	•	•	•	•					
<a href="#">SCE-90FSCPS</a>	Center Panel Support	86.00H									•	•	•	•	•
<a href="#">SCE-72FSCS</a>	Center Support	69.50H		•	•	•	•	•	•	•					
<a href="#">SCE-90FSCS</a>	Center Support	87.50H									•	•	•	•	•



Your Enclosure Source®

# SINGLE-DOOR - DUAL ACCESS ACCESSORY SELECTION GUIDE

Part Number	Description	Size	SCE-72EL2424FSDA/SSFSDA	SCE-72EL2430FSDA/SSFSDA	SCE-72EL2436FSDA/SSFSDA	SCE-72EL3024FSDA/SSFSDA	SCE-723624FSDA/SSFSDA	SCE-723636FSDA/SSFSDA	SCE-903624FSDA/SSFSDA	SCE-903636FSDA/SSFSDA
<a href="#">SCE-60P24F1</a>	Full Panel	48.00H x 20.00W	A	A	A					
<a href="#">SCE-60P36F1</a>	Full Panel	48.00H x 32.00W					A	A	A	A
<a href="#">SCE-72P24F1</a>	Full Panel	60.00H x 20.00W	•	•	•					
<a href="#">SCE-72P30F1</a>	Full Panel	60.00H x 26.00W				•				
<a href="#">SCE-72P36F1</a>	Full Panel	60.00H x 32.00W					•	•	A	A
<a href="#">SCE-90P36F1</a>	Full Panel	78.00H x 32.00W							•	•
<a href="#">SCE-60P24F2</a>	Half Panel	24.88H x 20.00W	A	A	A					
<a href="#">SCE-60P36F2</a>	Half Panel	24.88H x 32.00W					A	A	A	A
<a href="#">SCE-72P24F2</a>	Half Panel	30.88H x 20.00W	•	•	•					
<a href="#">SCE-72P30F2</a>	Half Panel	30.88H x 26.00W				•				
<a href="#">SCE-72P36F2</a>	Half Panel	30.88H x 32.00W					•	•	A	A
<a href="#">SCE-90P24F2</a>	Half Panel	39.88H x 20.00W	A	A	A					
<a href="#">SCE-90P36F2</a>	Half Panel	39.88H x 32.00W					A	A	•	•
<a href="#">SCE-72SMP14</a>	Side Panel	60.00H x 14.00W	•	•	•	•	•	•		
<a href="#">SCE-72SMP20</a>	Side Panel	60.00H x 20.00W	•	•	•	•	•	•		
<a href="#">SCE-90SMP14</a>	Side Panel	78.00H x 14.00W							•	•
<a href="#">SCE-90SMP20</a>	Side Panel	78.00H x 20.00W							•	•
<a href="#">SCE-90SMP30</a>	Side Panel	78.00H x 30.00W								•
<a href="#">SCE-72SP24F3</a>	Full Swing-Out Panel	60.00H x 18.81W	•	•	•					
<a href="#">SCE-72SP30F3</a>	Full Swing-Out Panel	60.00H x 24.81W				•				
<a href="#">SCE-72SP36F3</a>	Full Swing-Out Panel	60.00H x 30.81W					•	•		
<a href="#">SCE-90SP36F3</a>	Full Swing-Out Panel	78.00H x 30.81W							•	•
<a href="#">SCE-72SP24F4</a>	Half Swing-Out Panel	30.88H x 18.81W	•	•	•					
<a href="#">SCE-72SP30F4</a>	Half Swing-Out Panel	30.88H x 24.81W				•				
<a href="#">SCE-72SP36F4</a>	Half Swing-Out Panel	30.88H x 30.81W					•	•		
<a href="#">SCE-90SP36F4</a>	Half Swing-Out Panel	30.88H x 30.81W							•	•
<a href="#">SCE-7230SOF19</a>	Swing-Out Rack Frame	60.50H x 27.56W				•				
<a href="#">SCE-7236SOF19</a>	Swing-Out Rack Frame	60.50H x 33.56W					•	•		
<a href="#">SCE-9036SOF19</a>	Swing-Out Rack Frame	78.50H x 33.56W							•	•
<a href="#">SCE-20RMW</a>	Removable Wire Cover	20.00D	•			•	•	•	•	•
<a href="#">SCE-60RA19TH</a>	Type RA Rack Angle	49.00H	•	•	•					
<a href="#">SCE-72RA19TH</a>	Type RA Rack Angle	61.25H	•	•	•					
<a href="#">SCE-72RA24TH</a>	Type RA Rack Angle	61.25H				•				
<a href="#">SCE-60RP24F5</a>	Type RP Full Rack Angle	49.00H	•	•	•					
<a href="#">SCE-72RP24F5</a>	Type RP Full Rack Angle	61.25H	•	•	•					
<a href="#">SCE-72RP30F5</a>	Type RP Full Rack Angle	61.25H				•				
<a href="#">SCE-72RP24F6</a>	Type RP Half Rack Angle	31.50H	•	•	•					
<a href="#">SCE-72RP30F6</a>	Type RP Half Rack Angle	31.50H				•				
<a href="#">SCE-90RP24F6</a>	Type RP Half Rack Angle	40.25H	•	•	•					
<a href="#">SCE-72FSHDPS</a>	Heavy Duty Panel Support	69.25H	•	•	•	•	•	•		
<a href="#">SCE-90FSHDPS</a>	Heavy Duty Panel Support	87.25H							•	•

A - Requires heavy duty panel supports (SCE-FSHDPS\*)      • - Installation does not require additional supports or hardware  
 B - Requires center panel support (SCE-FSCPS\*)              \* - Blank space - Height of enclosure  
 C - Cannot be used when other panels are installed



Your Enclosure Source®

# TWO-DOOR - DUAL ACCESS ACCESSORY SELECTION GUIDE

Part Number	Description	Size	SCE-724824 FSDAD/SSFSDAD	SCE-726024 FSDAD/SSFSDAD	SCE-726036 FSDAD/SSFSDAD	SCE-727224 FSDAD/SSFSDAD	SCE-907224 FSDAD/SSFSDAD
<a href="#">SCE-60P24F1</a>	Full Panel	48.00H x 20.00W	AB				
<a href="#">SCE-60P36F1</a>	Full Panel	48.00H x 32.00W				AB	AB
<a href="#">SCE-60P48F1</a>	Full Panel	48.00H x 44.00W	A				
<a href="#">SCE-72P24F1</a>	Full Panel	60.00H x 20.00W	B				
<a href="#">SCE-72P30F1</a>	Full Panel	60.00H x 26.00W		B	B		
<a href="#">SCE-72P36F1</a>	Full Panel	60.00H x 32.00W				B	AB
<a href="#">SCE-72P48F1</a>	Full Panel	60.00H x 44.00W	•				
<a href="#">SCE-72P60F1</a>	Full Panel	60.00H x 56.00W		•	•		
<a href="#">SCE-72P72F1</a>	Full Panel	60.00H x 68.00W				•	B
<a href="#">SCE-90P36F1</a>	Full Panel	78.00H x 32.00W					B
<a href="#">SCE-90P72F1</a>	Full Panel	78.00H x 68.00W					•
<a href="#">SCE-60P24F2</a>	Half Panel	24.88H x 20.00W	AB				
<a href="#">SCE-60P36F2</a>	Half Panel	24.88H x 32.00W				AB	AB
<a href="#">SCE-72P24F2</a>	Half Panel	30.88H x 20.00W	B				
<a href="#">SCE-72P30F2</a>	Half Panel	30.88H x 26.00W		B	B		
<a href="#">SCE-72P36F2</a>	Half Panel	30.88H x 32.00W				B	AB
<a href="#">SCE-72P48F2</a>	Half Panel	30.88H x 44.00W	•				
<a href="#">SCE-72P60F2</a>	Half Panel	30.88H x 56.00W		•	•		
<a href="#">SCE-72P72F2</a>	Half Panel	30.88H x 68.00W				•	B
<a href="#">SCE-90P24F2</a>	Half Panel	39.88H x 20.00W	AB				
<a href="#">SCE-90P36F2</a>	Half Panel	39.88H x 32.00W				AB	B
<a href="#">SCE-90P48F2</a>	Half Panel	39.88H x 44.00W	A				
<a href="#">SCE-90P72F2</a>	Half Panel	39.88H x 68.00W				A	•
<a href="#">SCE-72SMP14</a>	Side Panel	60.00H x 14.00W	•	•	•	•	
<a href="#">SCE-72SMP20</a>	Side Panel	60.00H x 20.00W	•	•	•	•	
<a href="#">SCE-90SMP14</a>	Side Panel	78.00H x 14.00W					•
<a href="#">SCE-90SMP20</a>	Side Panel	78.00H x 20.00W					•
<a href="#">SCE-72SP24F3</a>	Full Swing-Out Panel	60.00H x 18.81W	B				
<a href="#">SCE-72SP30F3</a>	Full Swing-Out Panel	60.00H x 24.81W		B	B		
<a href="#">SCE-72SP36F3</a>	Full Swing-Out Panel	60.00H x 30.81W				B	
<a href="#">SCE-90SP36F3</a>	Full Swing-Out Panel	78.00H x 30.81W					B
<a href="#">SCE-72SP24F4</a>	Half Swing-Out Panel	30.88H x 18.81W	B				
<a href="#">SCE-72SP30F4</a>	Half Swing-Out Panel	30.88H x 24.81W		B	B		
<a href="#">SCE-72SP36F4</a>	Half Swing-Out Panel	30.88H x 30.81W				B	
<a href="#">SCE-90SP36F4</a>	Half Swing-Out Panel	39.88H x 30.81W					B
<a href="#">SCE-7230SOF19</a>	Swing-Out Rack Frame	60.50H x 27.56W		B	B		
<a href="#">SCE-7236SOF19</a>	Swing-Out Rack Frame	60.50H x 33.56W				B	
<a href="#">SCE-9036SOF19</a>	Swing-Out Rack Frame	78.50H x 33.56W					B
<a href="#">SCE-20RMW</a>	Removable Wire Cover	20.00D	•	•	•	•	•
<a href="#">SCE-72RA19TH</a>	Type RA Rack Angle	61.25H	B				
<a href="#">SCE-72RA24TH</a>	Type RA Rack Angle	61.25H		B	B		
<a href="#">SCE-72RP24F5</a>	Type RP Full Rack Angle	61.25H	B				
<a href="#">SCE-72RP30F5</a>	Type RP Full Rack Angle	61.25H		B	B		
<a href="#">SCE-72RP24F6</a>	Type RP Half Rack Angle	31.50H	B				
<a href="#">SCE-72RP30F6</a>	Type RP Half Rack Angle	31.50H		B	B		
<a href="#">SCE-90RP24F6</a>	Type RP Half Rack Angle	40.25H	B				
<a href="#">SCE-72FSDPS</a>	Heavy Duty Panel Support	69.25H	B	B	B	B	
<a href="#">SCE-90FSDPS</a>	Heavy Duty Panel Support	87.25H					B
<a href="#">SCE-72FSCPS</a>	Center Panel Support	68.00H	•	•	•	•	
<a href="#">SCE-90FSCPS</a>	Center Panel Support	86.00H					•
<a href="#">SCE-72FSCS</a>	Center Support	69.50H	•	•	•	•	
<a href="#">SCE-90FSCS</a>	Center Support	87.50H					•

## PANELS (FULL & HALF LENGTH) FOR SINGLE-DOOR ENCLOSURES

Panels for single-door enclosures can be positioned anywhere along the horizontal mounting channels. Half-length panels can be located in the upper or lower portion of the enclosure. Mounting hardware is included. Made of heavy gauge steel and powder coated white. GALV panels made of galvanized steel.

Catalog No.	Panel Height	Panel Width	Enclosure Height	Enclosure Width	Product Code
<b>Full Panel</b>					
<a href="#">SCE-60P24F1</a>	48.00	20.00	60.00	24.00	P3
<a href="#">SCE-60P36F1</a>	48.00	32.00	60.00	36.00	P3
<a href="#">SCE-72P24F1</a>	60.00	20.00	72.00	24.00	P3
<a href="#">SCE-72P30F1</a>	60.00	26.00	72.00	30.00	P3
<a href="#">SCE-72P36F1</a>	60.00	32.00	72.00	36.00	P3
<a href="#">SCE-90P24F1</a>	78.00	20.00	90.00	24.00	P3
<a href="#">SCE-90P36F1</a>	78.00	32.00	90.00	36.00	P3
<a href="#">SCE-72P30F1GALV</a>	60.00	26.00	72.00	30.00	P3
<a href="#">SCE-72P36F1GALV</a>	60.00	32.00	72.00	36.00	P3
<b>Half Panel</b>					
<a href="#">SCE-60P24F2</a>	24.88	20.00	60.00	24.00	P3
<a href="#">SCE-60P36F2</a>	24.88	32.00	60.00	36.00	P3
<a href="#">SCE-72P24F2</a>	30.88	20.00	72.00	24.00	P3
<a href="#">SCE-72P30F2</a>	30.88	26.00	72.00	30.00	P3
<a href="#">SCE-72P36F2</a>	30.88	32.00	72.00	36.00	P3
<a href="#">SCE-90P24F2</a>	39.88	20.00	90.00	24.00	P3
<a href="#">SCE-90P36F2</a>	39.88	32.00	90.00	36.00	P3

## PANELS (FULL & HALF LENGTH) FOR TWO-DOOR ENCLOSURES

Panels for two-door enclosures can be positioned anywhere along the horizontal mounting channels. Half-length panels can be located in the upper or lower portion of the enclosure. Mounting hardware is included. Made of heavy gauge steel and powder coated white. GALV panels made of galvanized steel.

Catalog No.	Panel Height	Panel Width	Enclosure Height	Enclosure Width	Product Code
<b>Full Panel</b>					
<a href="#">SCE-60P48F1</a>	48.00	44.00	60.00	48.00	P3
<a href="#">SCE-72P48F1</a>	60.00	44.00	72.00	48.00	P3
<a href="#">SCE-72P60F1</a>	60.00	56.00	72.00	60.00	P3
<a href="#">SCE-72P72F1</a>	60.00	68.00	72.00	72.00	P3
<a href="#">SCE-90P48F1</a>	78.00	44.00	90.00	48.00	P3
<a href="#">SCE-90P60F1</a>	78.00	56.00	90.00	60.00	P3
<a href="#">SCE-90P72F1</a>	78.00	68.00	90.00	72.00	P3
<a href="#">SCE-72P48F1GALV</a>	60.00	44.00	72.00	48.00	P3
<a href="#">SCE-72P60F1GALV</a>	60.00	56.00	72.00	60.00	P3
<a href="#">SCE-72P72F1GALV</a>	60.00	68.00	72.00	72.00	P3
<a href="#">SCE-90P72F1GALV</a>	78.00	68.00	90.00	72.00	P3
<b>Half Panel</b>					
<a href="#">SCE-72P48F2</a>	30.88	44.00	72.00	48.00	P3
<a href="#">SCE-72P60F2</a>	30.88	56.00	72.00	60.00	P3
<a href="#">SCE-72P72F2</a>	30.88	68.00	72.00	72.00	P3
<a href="#">SCE-90P48F2</a>	39.88	44.00	90.00	48.00	P3
<a href="#">SCE-90P72F2</a>	39.88	68.00	90.00	72.00	P3

## SIDE MOUNT PANELS

Designed to provide extra mounting space on the side of an enclosure. Can be securely attached to the mounting channels. Plated mounting hardware is supplied. Bent on vertical sides. Made of heavy gauge steel and powder coated white.

Catalog No.	Panel Height	Panel Width	Enclosure Height	Enclosure Depth	Product Code
<a href="#">SCE-60SMP14</a>	48.00	14.00	60.00	18.00	P3
<a href="#">SCE-72SMP14</a>	60.00	14.00	72.00	18.00	P3
<a href="#">SCE-72SMP20</a>	60.00	20.00	72.00	24.00	P3
<a href="#">SCE-90SMP14</a>	78.00	14.00	90.00	18.00	P3
<a href="#">SCE-90SMP20</a>	78.00	20.00	90.00	24.00	P3
<a href="#">SCE-90SMP30</a>	78.00	30.00	90.00	36.00	P3

# FREE-STANDING ENCLOSURE ACCESSORIES

Catalog No.	Panel Height	Panel Width	Enclosure Height	Enclosure Width	Product Code
<b>Full Panel</b>					
<a href="#">SCE-72SP24F3</a>	60.00	18.81	72.00	24.00	P2
<a href="#">SCE-72SP30F3</a>	60.00	24.81	72.00	30.00	P2
<a href="#">SCE-72SP36F3</a>	60.00	30.81	72.00	36.00	P2
<a href="#">SCE-90SP36F3</a>	78.00	30.81	90.00	36.00	P2
<b>Half Panel</b>					
<a href="#">SCE-72SP24F4</a>	30.88	18.81	72.00	24.00	P2
<a href="#">SCE-72SP30F4</a>	30.88	24.81	72.00	30.00	P2
<a href="#">SCE-72SP36F4</a>	30.88	30.81	72.00	36.00	P2
<a href="#">SCE-90SP36F4</a>	39.88	30.81	90.00	36.00	P2



## SWING-OUT PANELS

Panels are available full length and half length and can be mounted on either side of the enclosure. Panels have heavy gauge steel support frames and concealed hinges to allow the panel to swing completely out of the enclosure. Mounting hardware is included. Made of heavy gauge steel and powder coated white. For technical information, consult our installation manual at [www.saginawcontrol.com](http://www.saginawcontrol.com).

Catalog No.	Qty Per Kit	Enclosure Height	Enclosure Width	Product Code
<a href="#">SCE-FSPS4</a>	Set of 4			P2
<a href="#">SCE-FSPS6</a>	Set of 6			P2
<a href="#">SCE-FSPS8</a>	Set of 8			P2

## INDIVIDUAL PANEL SUPPORTS

Individual panel supports are available for additional equipment mounting. All mounting hardware included. Made of heavy gauge steel and plated.

Catalog No.	No. of Units	Enclosure Height	Enclosure Width	Product Code
<a href="#">SCE-7230SOF19</a>	33	72.00	30.00	P2
<a href="#">SCE-7236SOF19</a>	33	72.00	36.00	P2
<a href="#">SCE-9036SOF19</a>	43	90.00	36.00	P2



## SWING-OUT RACK MOUNTING FRAMES

Designed for mounting 19.00" rack-mounting equipment. The frame pivots within the enclosure for access to the back of the mounted equipment. A nylon bearing allows easy movement. Quick release latches hold the frame closed. One clip nut package (SCE-CN1032) is included. Made of heavy gauge steel and powder coated white. For technical information, consult our installation manual at [www.saginawcontrol.com](http://www.saginawcontrol.com).

Catalog No.	Height (A)	Width (B)	Depth (C)	Product Code
<a href="#">SCE-14RMW</a>	6.00	35.00	18.00	P2
<a href="#">SCE-20RMW</a>	6.00	35.00	24.00	P2



## REMOVABLE WIRE COVER

Designed to cover the wires in the bottom of the enclosure. One wire cover required per door. Mounting hardware is included. Made of heavy gauge steel and powder coated white.

## RACK MOUNTING ANGLE (TYPE RA) - "U SHAPE"

Designed for mounting 19 inch and 24 inch rack mount equipment. Available in pairs of full length angles with mounting holes. Use clip nut package (SCE-CN1032) to provide tapped holes. Mounting hardware is supplied. Made of heavy gauge steel and powder coated white.

Catalog No.	Angle Length	Enclosure Height	Enclosure Width	Rack Size	Product Code
<a href="#">SCE-60RA19TH</a>	49.00	60.00	24.00	19	P2
<a href="#">SCE-72RA19TH</a>	61.25	72.00	24.00	19	P2
<a href="#">SCE-72RA24TH</a>	61.25	72.00	30.00	24	P2
<a href="#">SCE-90RA19TH</a>	78.75	90.00	24.00	19	P2



## RACK MOUNTING ANGLE (TYPE RP) - "L SHAPE"

Designed for mounting 19 inch and 24 inch rack mount equipment. Available in pairs of full length angles with mounting holes. Use clip nut package (SCE-CN1032) to provide tapped holes. Mounting hardware is supplied. Made of heavy gauge steel and powder coated white.

Catalog No.	Angle Length	Enclosure Height	Enclosure Width	Length	Rack Size	Product Code
<a href="#">SCE-60RP24F5</a>	49.00	60.00	24.00	Full	19	P2
<a href="#">SCE-72RP24F5</a>	61.25	72.00	24.00	Full	19	P2
<a href="#">SCE-72RP30F5</a>	61.25	72.00	30.00	Full	24	P2
<a href="#">SCE-90RP24F5</a>	78.75	90.00	24.00	Full	19	P2
<a href="#">SCE-60RP24F6</a>	26.25	60.00	24.00	Half	19	P2
<a href="#">SCE-72RP24F6</a>	31.50	72.00	24.00	Half	19	P2
<a href="#">SCE-72RP30F6</a>	31.50	72.00	30.00	Half	24	P2
<a href="#">SCE-90RP24F6</a>	40.25	90.00	24.00	Half	19	P2



## RACK FILLER PANEL

Made of heavy gauge steel with black textured powder coat finish.

Catalog No.	Height	Width	Product Code
<a href="#">SCE-19-1U</a>	1.75	19.00	P2
<a href="#">SCE-19-2U</a>	3.50	19.00	P2
<a href="#">SCE-19-3U</a>	5.25	19.00	P2

## CLAMPING NUTS

Clamping nuts with a #10-32 retained nut will fit all rack mounting angles and rack mounting frames, to provide tapped holes. Nuts are zinc plated.

Catalog No.	Qty Per Kit	Product Code
<a href="#">SCE-CN1032</a>	20	P2

## CHANNEL NUTS

Designed for use in free-standing enclosures to allow mounting of additional equipment. Nuts are zinc plated.

Catalog No.	Description	Qty Per Kit	Product Code
<a href="#">SCE-PS1420CN</a>	1/4 - 20 Strut Nut	20	P2
<a href="#">SCE-PS3816CN</a>	3/8 - 16 Strut Nut	20	P2

## CHANNEL NUT KIT

Designed for use with the light channels on the inside top of SCE larger enclosures to allow easy installation of lights. Nuts are zinc plated.

Catalog No.	Description	Qty Per Kit	Product Code
<a href="#">SCE-PS1032CN</a>	10-32 Channel Nut	20	P2

# FREE-STANDING ENCLOSURE ACCESSORIES

## Heavy-Duty Panel Supports

Catalog No.	Enclosure Height	Support Length	Product Code
<a href="#">SCE-60FSHDPS</a>	60.00	57.25	P2
<a href="#">SCE-72FSHDPS</a>	72.00	69.25	P2
<a href="#">SCE-90FSHDPS</a>	90.00	87.25	P2

Available in pairs to mount panels when heavy equipment is installed on the panels. Panel mounting studs are adjustable so a panel of any height can be mounted. Used in place of individual supports. Mounting hardware furnished with enclosures. Made of heavy gauge steel and powder coated white. For technical information consult our installation manual at [www.saginawcontrol.com](http://www.saginawcontrol.com).

## Center Panel Supports

Catalog No.	Enclosure Height	Product Code
<a href="#">SCE-60FSCPS</a>	60.00	P2
<a href="#">SCE-72FSCPS</a>	72.00	P2
<a href="#">SCE-90FSCPS</a>	90.00	P2

Designed to be installed in any two-door single access or dual access free-standing enclosure. For installation of panels, swing-out panels, rack mounting angles, and swing-out rack mounting frames. The center panel support can be positioned from front to back in the enclosure. Plated mounting hardware is supplied. Made of heavy gauge steel and powder coated white. For technical information consult our installation manual at [www.saginawcontrol.com](http://www.saginawcontrol.com).

## Center Panel

Catalog No.	Enclosure Height	Product Code
<a href="#">SCE-72FSCS</a>	72.00	P2
<a href="#">SCE-90FSCS</a>	90.00	P2

Designed to attach to the top and bottom mounting channels of the enclosure. Provides support for full and half panels in any free-standing two-door enclosure. Can be positioned from front to back in the enclosure. Can be used with heavy duty panel supports to use panels of various heights. Mounting hardware is included. Made of heavy gauge steel and powder coated white.



# MULTI-DOOR ENCLOSURES

## Application

Designed to house electrical equipment and provide degree of protection from dirt, dust, oil and water. For installation information, consult our installation manual at [www.saginawcontrol.com](http://www.saginawcontrol.com).

## Construction

- 0.125" carbon steel.
- Seams continuously welded and ground smooth.
- Heavy duty lifting eyes.
- Reinforced top.
- Steel stiffeners welded to back inside of enclosure.
- Overlapping two-door openings have no center post.
- Black zinc die cast padlocking handle.
- 3-point latching mechanism.
- Concealed hinges.
- Mechanical interlock.
- Far right hand door is main door.
- Panel supports.
- Removable sub-panels are mounted on collar studs.
- Pour in place oil and water resistant gasket.
- Ground stud on door and body.
- Removable print pocket.
- Flange trough collar around all sides of door opening.
- Hole plugs provided to seal holes in bottom of enclosure.
- Provisions for light kit.

## Finish

ANSI-61 gray powder coated inside and out. Sub-panels powder coated white.

## IS3 Industry Standards

NEMA Type 3R, 12 & Type 13  
 UL Listed Type 3R & 12  
 CSA Type 3R & 12  
 IEC 60529 IP55

\*\*\*To maintain Type 3R listing, drainage is required. Install equally rated drainage device or drill a 1/8 to 1/4 inch hole in the bottom center of the enclosure, approximately 1 inch from the right, and 1 inch from the left for drainage, use listed rain-tight or wet location hubs. Drip shield over the door is recommended for all outdoor applications.

Enclosure Product Code A2

Sub-Panel (P3)

Catalog No.	Height (A)	Width (B)	Depth (C)	Industry Standard	Catalog No.	Panel Height (D)	Panel Length (E)
<a href="#">SCE-86M3E</a>	86.00	112.00	14.00	IS3	SCE-82P76*	78.00	72.00
					SCE-82P37*	78.00	33.75
<a href="#">SCE-86M3E20</a>	86.00	112.00	20.00	IS3	SCE-82P76*	78.00	72.00
					SCE-82P37*	78.00	33.75
<a href="#">SCE-86M4E</a>	86.00	149.19	14.00	IS3	SCE-82P76* (2)	78.00	72.00
<a href="#">SCE-86M4E20</a>	86.00	149.19	20.00	IS3	SCE-82P76* (2)	78.00	72.00
<a href="#">SCE-86M5E</a>	86.00	187.00	14.00	IS3	SCE-82P76* (2)	78.00	72.00
<a href="#">SCE-86M5E20</a>	86.00	187.00	20.00	IS3	SCE-82P37*	78.00	33.75
					SCE-82P76* (2)	78.00	72.00
					SCE-82P37*	78.00	33.75

\*Sub-panel included with enclosures. Replacement sub-panels can be ordered.

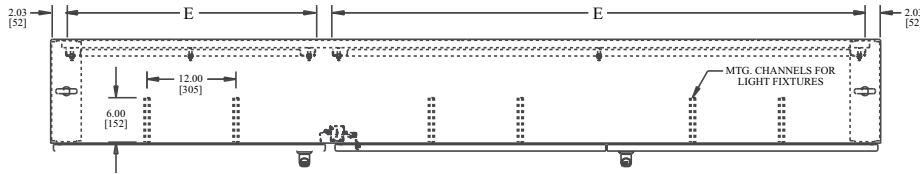




# MULTI-DOOR ENCLOSURES

## TECHNICAL DATA

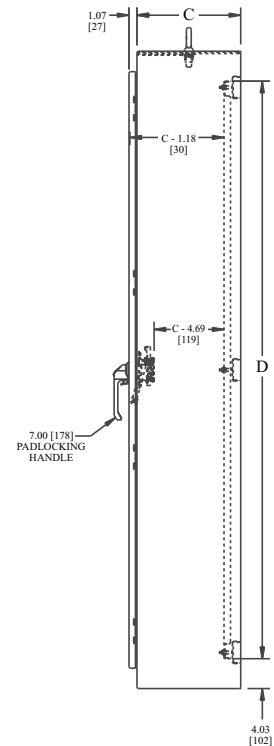
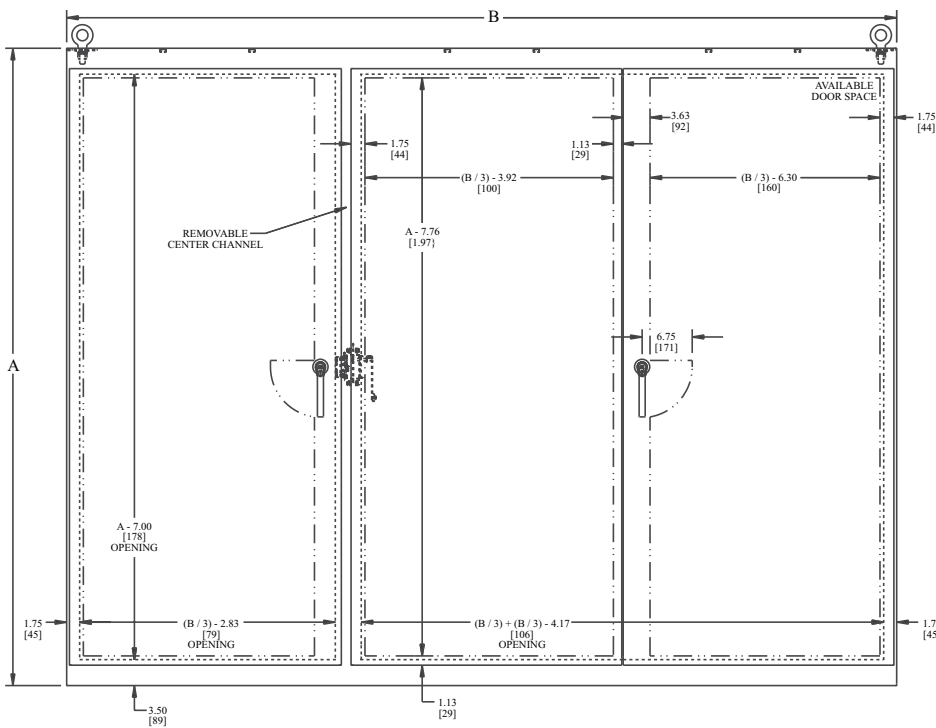
### THREE-DOOR ENCLOSURE



**EYEBOLT NOTES:**

Enclosure has one row of eyebolts when  $C = 14.00$ " [356]

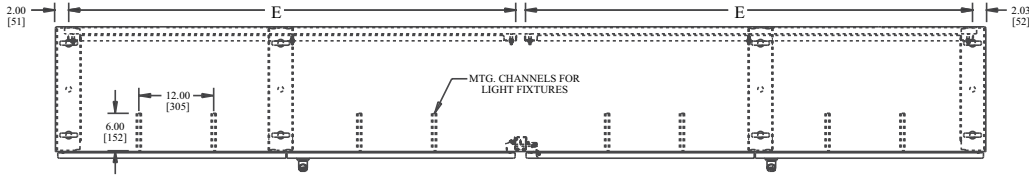
Enclosure has two rows of eyebolts when  $C = 20.00$ " [508]



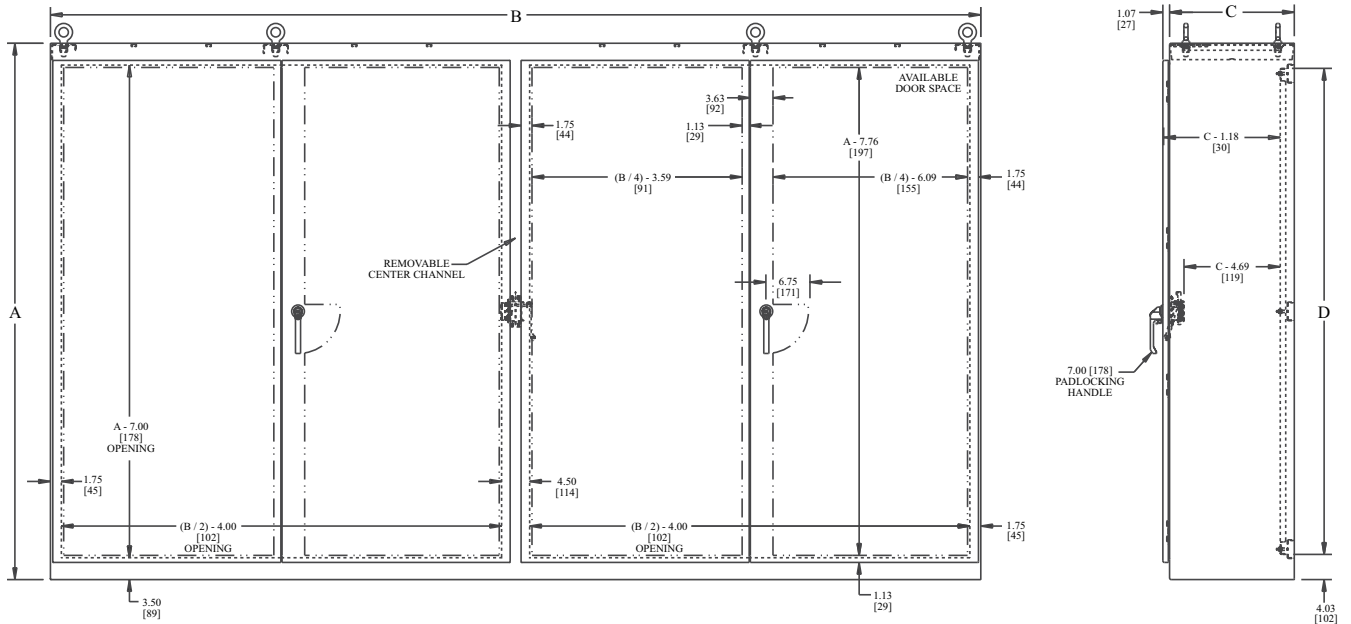
# MULTI-DOOR ENCLOSURES

## TECHNICAL DATA

### FOUR-DOOR ENCLOSURE



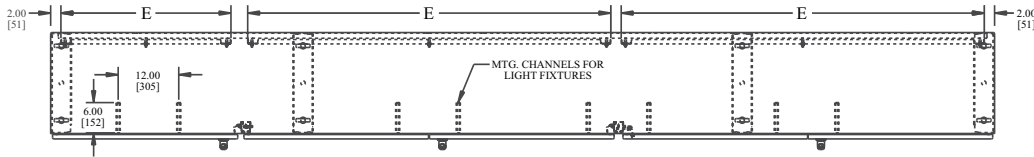
**EYEBOLT NOTES:**  
 Enclosure has one row of eyebolts when C = 14.00" [356]  
 Enclosure has two rows of eyebolts when C = 20.00" [508]



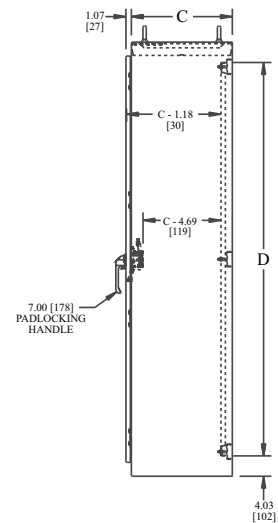
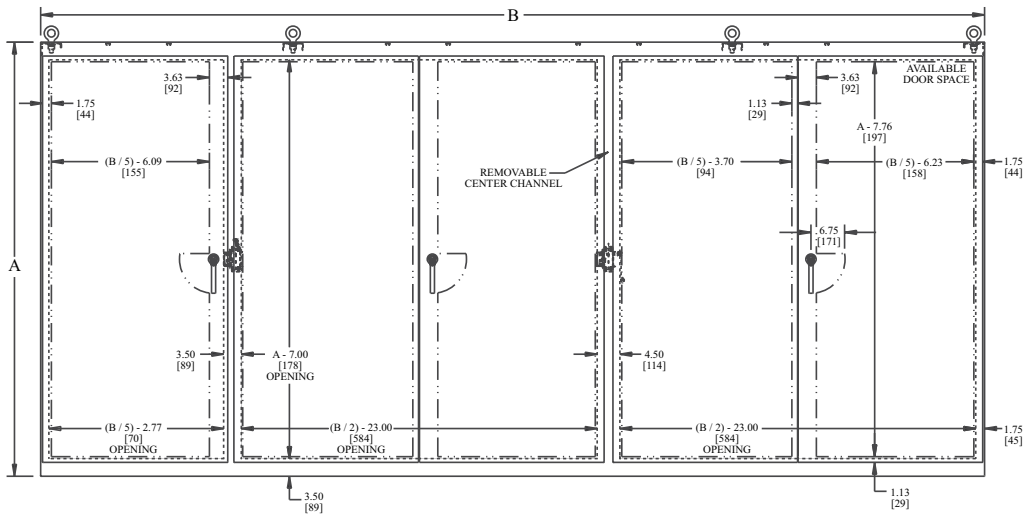
# MULTI-DOOR ENCLOSURES

## TECHNICAL DATA

### FIVE-DOOR ENCLOSURE



**EYEBOLT NOTES:**  
 Enclosure has one row of eyebolts when  $C = 14.00''$  [356]  
 Enclosure has two rows of eyebolts when  $C = 20.00''$  [508]



# MULTI-DOOR FREE-STANDING / WALL-MOUNT ENCLOSURES FOR FLANGE-MOUNTED DISCONNECTS

## Application

Designed to easily accommodate various types of mounting methods with minimal modifications. Provisions are provided in the back of the enclosure for wall or frame mounting, and in the bottom for wall-mount brackets, frame mount, or partial provisions for a floor stand kit. Enclosure is designed to house most standard type disconnects. For installation information, consult our installation manual at [www.saginawcontrol.com](http://www.saginawcontrol.com).

## Construction

- 0.104" carbon steel.
- Seams continuously welded and ground smooth.
- Flange trough collar around all sides of door opening.
- Body stiffeners in large enclosures for extra rigidity.
- Heavy duty lifting eyes anchor into reinforced top.
- Removable center posts permit easy sub-panel installation.
- Concealed hinges.
- Black zinc die cast coinproof/padlocking handle on main door with black zinc die cast padlocking handle on slave doors.
- 3-point latching mechanism.
- Ends of latch rods have ramp shoes for easier door closing.
- Panel supports.
- Large removable print pockets.
- Pour in place oil and water resistant gasket.
- Defeater on master door requires a screwdriver to open.
- Ground stud on door and body.
- Collar studs for mounting optional sub-panel.
- Provisions for light kit.
- Hole plugs provided to seal holes in bottom of enclosure.

Disconnect switch (or circuit breaker) and operating mechanism are not furnished with enclosure.

## Finish

ANSI-61 gray powder coated inside and out.

Optional sub-panels powder coated white.

## IS3 Industry Standards

NEMA Type 3R, 12 & Type 13

UL Listed Type 3R & 12

CSA Type 3R & 12

IEC 60529 IP55

## IS4 Industry Standards

NEMA Type 3R, 4, 12 & Type 13

UL Listed Type 3R, 4 & 12

CSA Type 3R, 4 & 12

IEC 60529 IP66

\*\*\*To maintain Type 3R listing, drainage is required. Install equally rated drainage device or drill a 1/8 to 1/4 inch hole in the bottom center of the enclosure, approximately 1 inch from the right, and 1 inch from the left for drainage, use listed rain-tight or wet location hubs. Drip shield over the door is recommended for all outdoor applications.

## TWO-DOOR FREE-STANDING/WALL-MOUNT ENCLOSURES FOR FLANGE-MOUNTED DISCONNECTS

Enclosure Product Code A2

Sub-Panel (P3)

Catalog No.	Height (A)	Width (B)	Depth (C)	Industry Standard	Catalog No.	Panel Height (D)	Panel Width (E)
<a href="#">SCE-36X2D5412</a>	36.00	53.75	12.00	IS4	SCE-36P52	32.00	48.00
					SCE-36P52GALV	32.00	48.00
<a href="#">SCE-42X2D5412</a>	42.00	53.75	12.00	IS4	SCE-42P52	38.00	48.00
					SCE-42P52GALV	38.00	48.00
<a href="#">SCE-48X2D7812</a>	48.00	77.75	12.00	IS3	SCE-48P76	44.00	72.00
					SCE-48P76GALV	44.00	72.00
<a href="#">SCE-48X2D7818</a>	48.00	77.75	18.00	IS3	SCE-48P76	44.00	72.00
					SCE-48P76GALV	44.00	72.00
<a href="#">SCE-60X2D7818</a>	60.00	77.75	18.00	IS3	SCE-60P76	56.00	72.00



# MULTI-DOOR FREE-STANDING / WALL-MOUNT ENCLOSURES FOR FLANGE-MOUNTED DISCONNECTS

## THREE-DOOR FREE-STANDING/WALL-MOUNT ENCLOSURES FOR FLANGE-MOUNTED DISCONNECTS

Enclosure Product Code A2					Sub-Panel (P3)		
Catalog No.	Height (A)	Width (B)	Depth (C)	Industry Standard	Catalog No.	Panel Height (D)	Panel Width (E)
<a href="#">SCE-48X3D11818</a>	48.00	117.50	18.00	IS3	SCE-48P76	44.00	72.00
					SCE-48P37	44.00	34.00

## FOUR-DOOR FREE-STANDING/WALL-MOUNT ENCLOSURES FOR FLANGE-MOUNTED DISCONNECTS

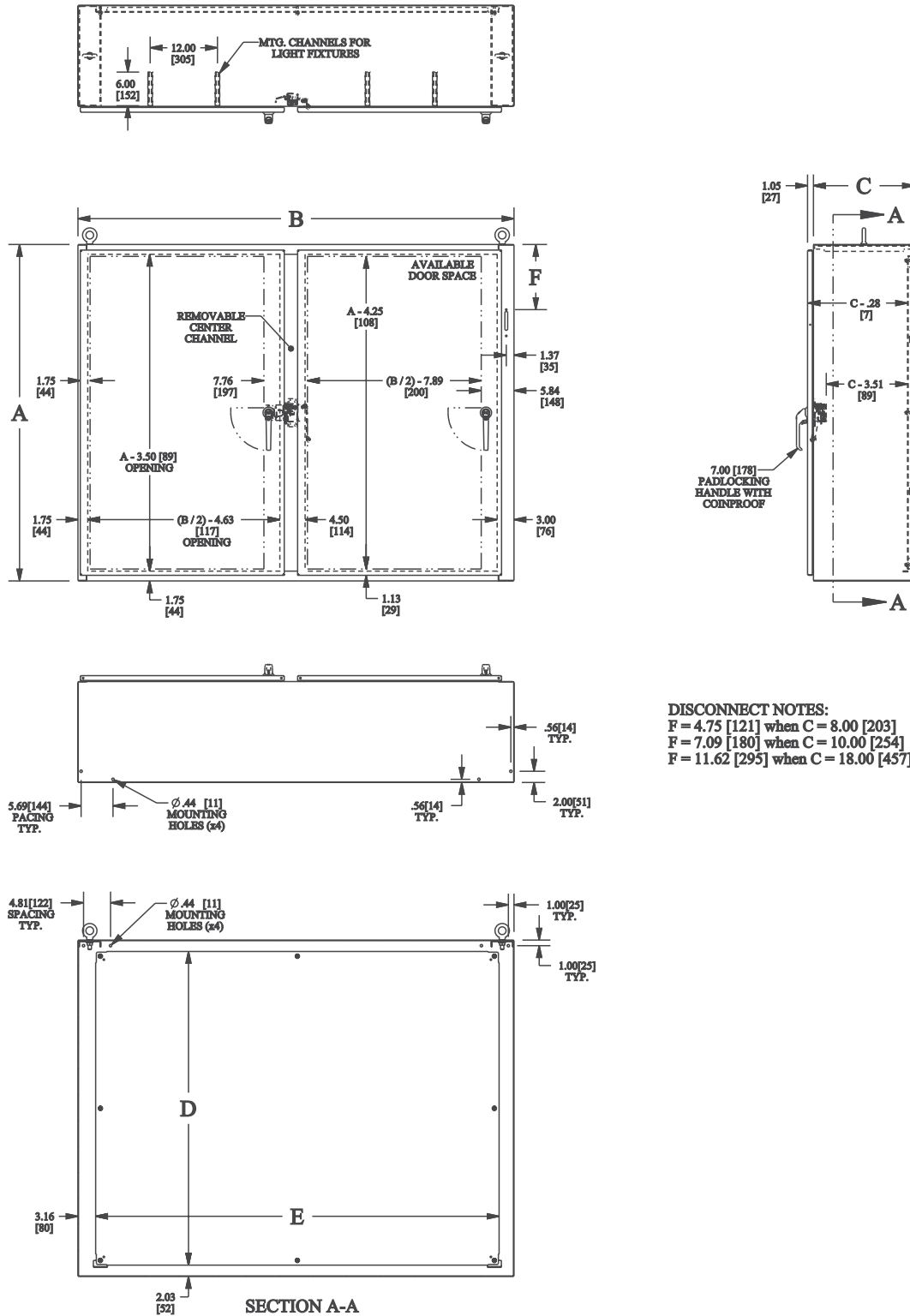
Enclosure Product Code A2					Sub-Panel (P3)		
Catalog No.	Height (A)	Width (B)	Depth (C)	Industry Standard	Catalog No.	Panel Height (D)	Panel Width (E)
<a href="#">SCE-48X4D15818</a>	48.00	157.50	18.00	IS3	SCE-48P76 (2)	44.00	72.00



# MULTI-DOOR FREE-STANDING / WALL-MOUNT ENCLOSURES FOR FLANGE-MOUNTED DISCONNECTS

## TECHNICAL DATA

### TWO-DOOR ENCLOSURE

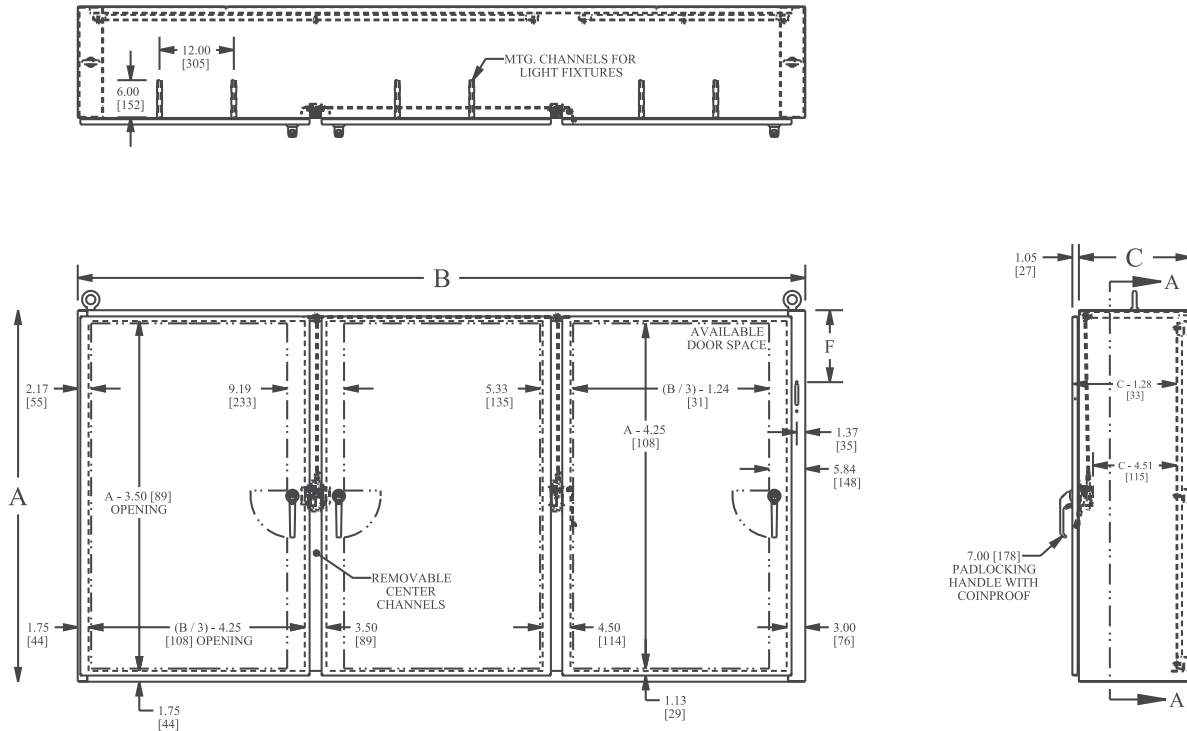


**DISCONNECT NOTES:**  
 F = 4.75 [121] when C = 8.00 [203]  
 F = 7.09 [180] when C = 10.00 [254]  
 F = 11.62 [295] when C = 18.00 [457]

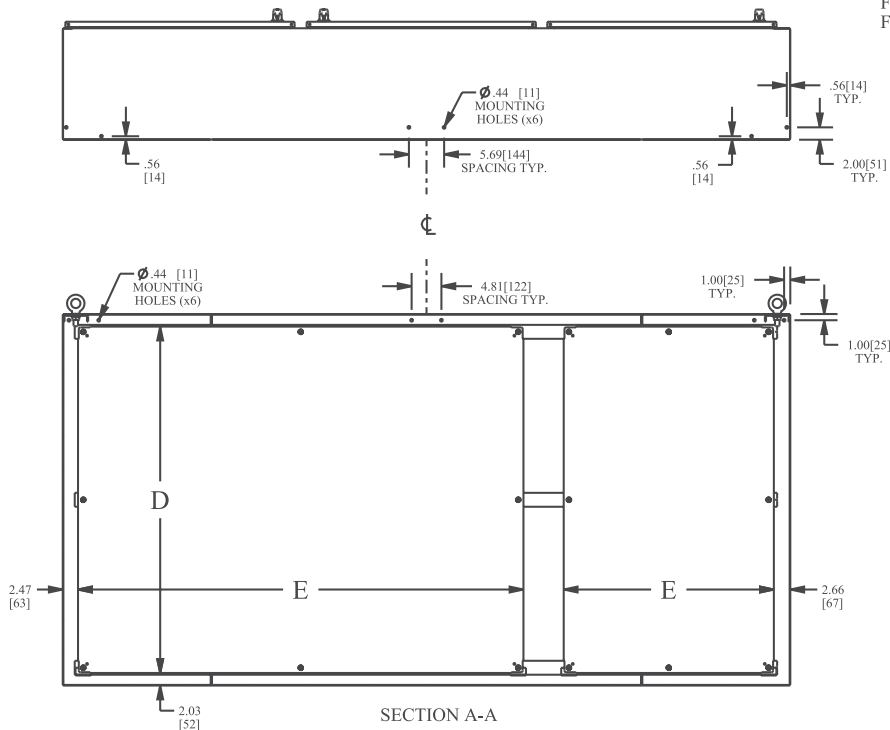
# MULTI-DOOR FREE-STANDING / WALL-MOUNT ENCLOSURES FOR FLANGE-MOUNTED DISCONNECTS

## TECHNICAL DATA

### THREE-DOOR ENCLOSURE

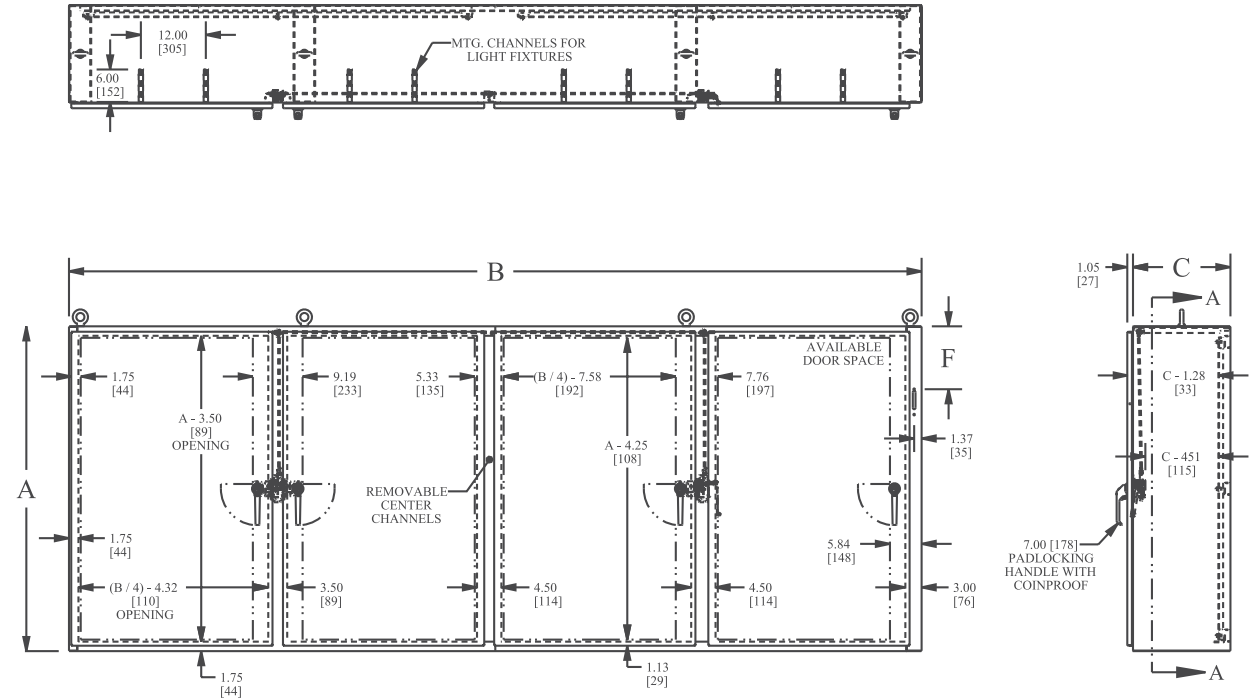


DISCONNECT NOTES:  
 $F = 4.75$  [121] when  $C = 8.00$  [203]  
 $F = 7.09$  [180] when  $C = 10.00$  [254]  
 $F = 11.62$  [295] when  $C = 18.00$  [457]

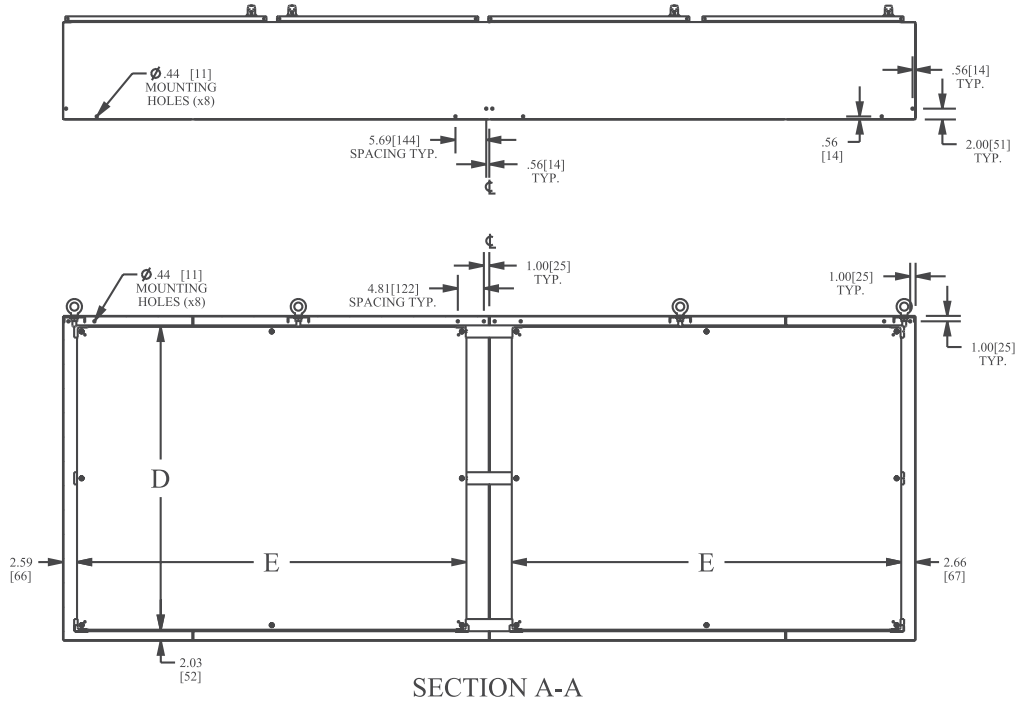


# MULTI-DOOR FREE-STANDING / WALL-MOUNT ENCLOSURES FOR FLANGE-MOUNTED DISCONNECTS

## FOUR-DOOR ENCLOSURE TECHNICAL DATA



DISCONNECT NOTES:  
 F = 4.75 [121] when C = 8.00 [203]  
 F = 7.09 [180] when C = 10.00 [254]  
 F = 11.62 [295] when C = 18.00 [457]

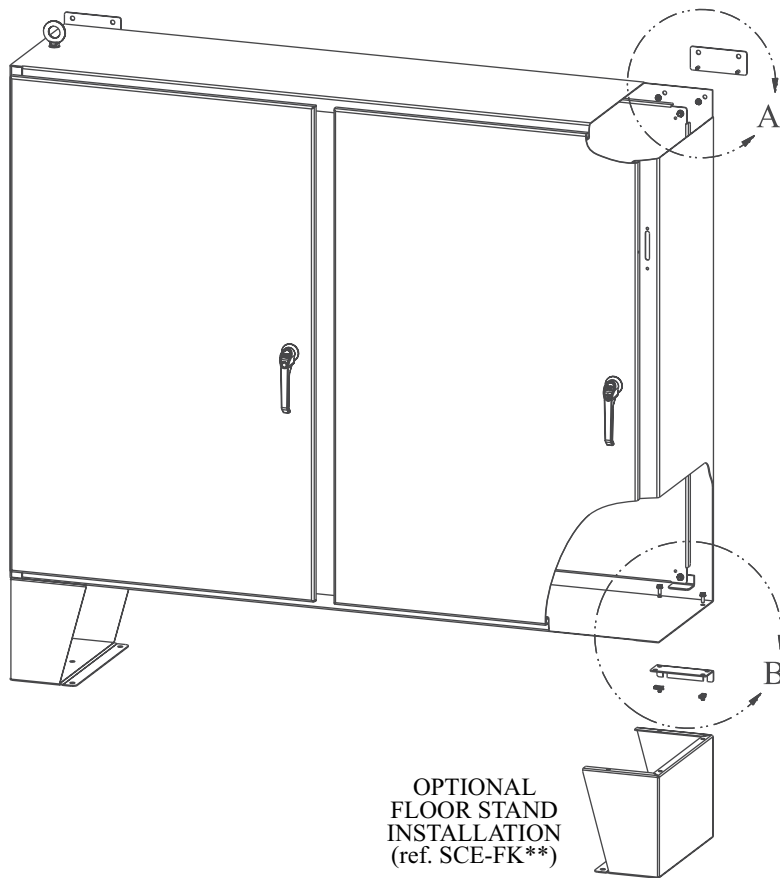




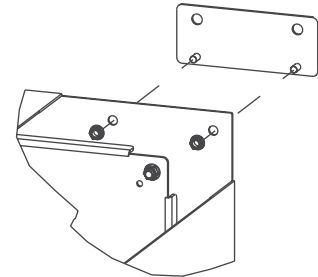
# MULTI-DOOR FREE-STANDING / WALL-MOUNT ENCLOSURES FOR FLANGE-MOUNTED DISCONNECTS

## TECHNICAL DATA

### INSTALLATION OPTIONS

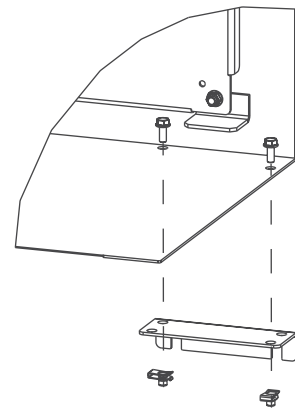


OPTIONAL FLOOR STAND INSTALLATION (ref. SCE-FK\*\*) 



DETAIL A

OPTIONAL WALL MOUNT INSTALLATION



DETAIL B

OPTIONAL WALL MOUNT INSTALLATION (SCE-HDWMK)

NOTE:  
PREFERRED INSTALLATION IS TO MOUNT ENCLOSURE THROUGH THE BACK AND BOTTOM TO THE MOUNTING SURFACE

# TWO-DOOR DISCONNECT ENCLOSURES

## Application

Designed to house most standard type disconnects. For outdoor applications a drip shield and drain holes are required. For installation information, consult our installation manual at [www.saginawcontrol.com](http://www.saginawcontrol.com).

## Construction

- 0.104" carbon steel.
- Seams continuously welded and ground smooth.
- Flange trough collar around all sides of door opening.
- Pour in place oil and water resistant gasket.
- Concealed hinges.
- Removable and interchangeable doors.
- 3-point latching mechanism.
- Removable print pocket on main door of disconnect enclosures.
- Lifting eyes for easy handling.
- Ground studs on door and body.
- Collar studs provided for mounting optional sub-panels.
- Black quarter turn latches as required.
- 15" removable floor stands.
- Removable center post.
- Mechanical interlock.
- No door stiffeners required.
- Black zinc die cast coinproof/padlocking handle on main door with black zinc die cast padlocking handle on slave door.
- Provisions for light kit.
- Hole plugs provided to seal holes in bottom of enclosure.

Disconnect switch (or circuit breaker) and operating mechanism are not furnished with enclosure.

## Finish

ANSI-61 gray powder coated inside and out.  
Optional sub-panels powder coated white.

## IS3 Industry Standards

NEMA Type 3R, 12 & Type 13  
UL Listed Type 3R & 12  
CSA Type 3R & 12  
IEC 60529 IP55

## IS4 Industry Standards

NEMA Type 3R, 4, 12 & Type 13  
UL Listed Type 3R, 4 & 12  
CSA Type 3R, 4 & 12  
IEC 60529 IP66

\*\*\*To maintain Type 3R listing, drainage is required. Install equally rated drainage device or drill a 1/8 to 1/4 inch hole in the bottom center of the enclosure, approximately 1 inch from the right, and 1 inch from the left for drainage, use listed rain-tight or wet location hubs. Drip shield over the door is recommended for all outdoor applications.

## TWO-DOOR ENCLOSURES WITH PROVISION FOR DISCONNECT ON RIGHT FLANGE

Enclosure Product Code A2

Sub-Panel (P3)

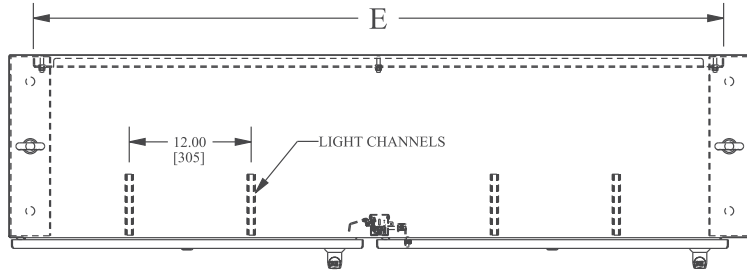
Catalog No.	Height (A)	Width (B)	Depth (C)	Industry Standard	Catalog No.	Panel Height (D)	Panel Width (E)
<a href="#">SCE-60XEL4912LP</a>	60.00	49.00	12.00	IS4	SCE-60P48	56.00	44.00
<a href="#">SCE-60XEL4918LP</a>	60.00	49.00	18.00	IS4	SCE-60P48	56.00	44.00
<a href="#">SCE-60XEL4924LP</a>	60.00	49.00	24.00	IS4	SCE-60P48	56.00	44.00
<a href="#">SCE-60XEL6112LP</a>	60.00	61.00	12.00	IS4	SCE-60P60	56.00	56.00
<a href="#">SCE-60XEL6118LP</a>	60.00	61.00	18.00	IS4	SCE-60P60	56.00	56.00
<a href="#">SCE-60XEL6124LP</a>	60.00	61.00	24.00	IS4	SCE-60P60	56.00	56.00
<a href="#">SCE-72XEL6112LP</a>	72.00	61.00	12.00	IS4	SCE-72P60	68.00	56.00
<a href="#">SCE-72XEL6118LP</a>	72.00	61.00	18.00	IS4	SCE-72P60	68.00	56.00
<a href="#">SCE-72X7312LP</a>	72.00	73.00	12.00	IS3	SCE-72P72	68.00	68.00
<a href="#">SCE-72XEL7312LP</a>	72.00	73.00	12.00	IS4	SCE-72P72	68.00	68.00
<a href="#">SCE-72X7318LP</a>	72.00	73.00	18.00	IS3	SCE-72P72	68.00	68.00
<a href="#">SCE-72XEL7318LP</a>	72.00	73.00	18.00	IS4	SCE-72P72	68.00	68.00
<a href="#">SCE-72X7324LP</a>	72.00	73.00	24.00	IS3	SCE-72P72	68.00	68.00
<a href="#">SCE-72XEL7324LP</a>	72.00	73.00	24.00	IS4	SCE-72P72	68.00	68.00

Part numbers that contain the letters "EL" with doors that are over 30 inches wide have quarter turn latches on the center of the door top and bottom.



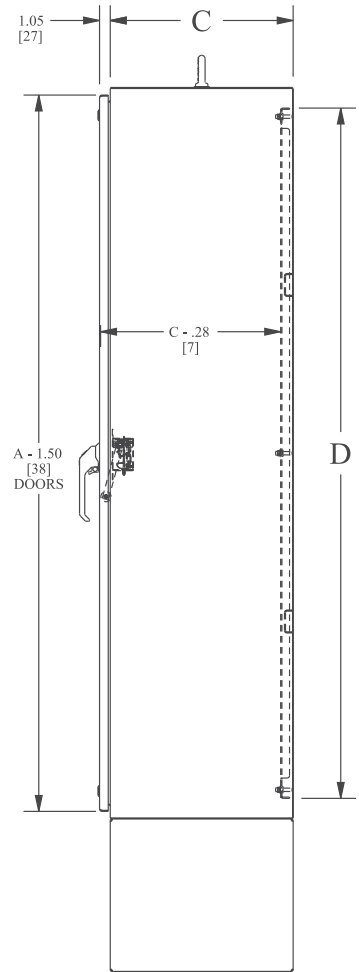
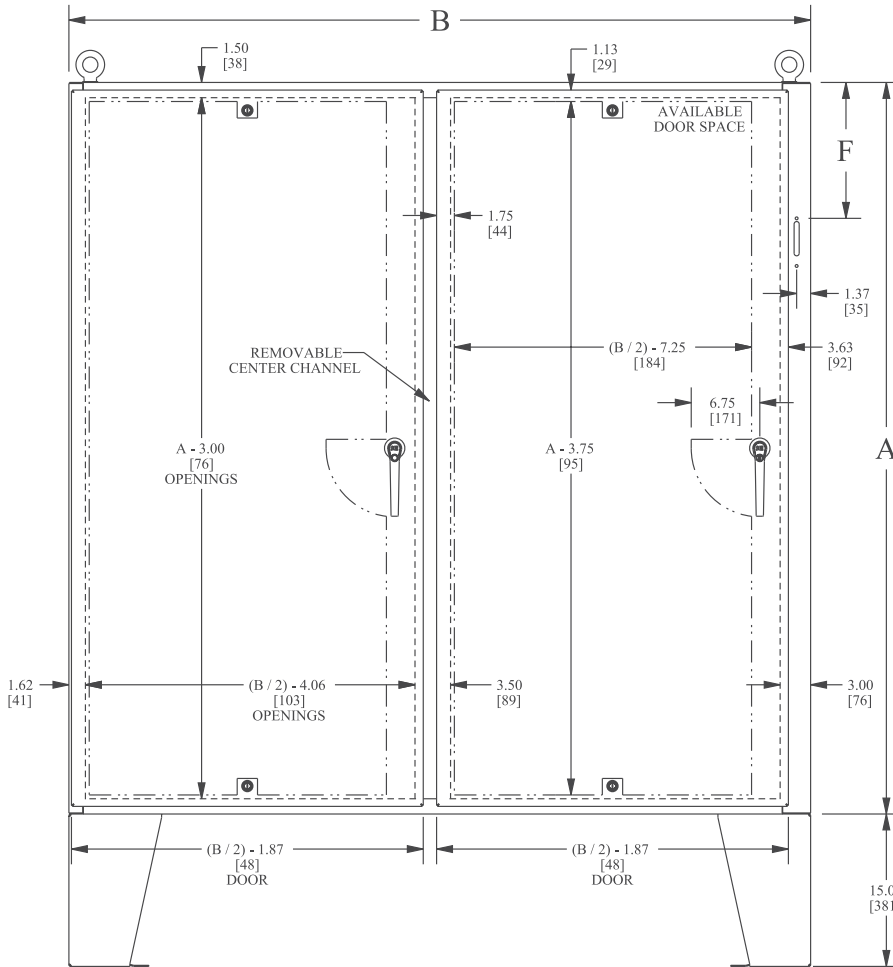
# TWO-DOOR DISCONNECT ENCLOSURES

## TECHNICAL DATA



DISCONNECT NOTES:  
**F** = 7.88 [200] when **A** = 60.00 [1524]  
**F** = 13.38 [340] when **A** = 72.00 [1829]

LATCH NOTES:  
 "EL" part numbers with doors  $\geq$  30.00 [762]  
 in width have additional latch centered top  
 and bottom of door.



# HEAVY DUTY FREE-STANDING ENCLOSURES FOR FLANGE-MOUNTED DISCONNECTS

## Application

Designed to house electrical equipment and provide degree of protection from dirt, dust, oil and water and to house most standard type disconnects. For installation information, consult our installation manual at [www.saginawcontrol.com](http://www.saginawcontrol.com).

## Construction

- 0.125" carbon steel.
- Seams continuously welded and ground smooth.
- Flange trough collar around all sides of door opening.
- Body stiffeners in large enclosures for extra rigidity.
- Heavy duty lifting eyes anchor into reinforced top.
- Removable center posts permit easy sub-panel installation.
- Concealed hinges.
- Black zinc die cast coinproof/padlocking handle on main door with black zinc die cast padlocking handle on slave doors.
- 3-point latching mechanism.
- Ends of latch rods have ramp shoes for easier door closing.
- Panel supports.
- Large removable print pockets.
- Pour in place oil and water resistant gasket.
- Removable sub-panels mount on collar studs.
- Defeater on master door requires a screwdriver to open.
- Hole plugs provided to seal holes in bottom of enclosure.
- Ground stud on door and body.
- Provisions for light kit.

Disconnect switch (or circuit breaker) and operating mechanism are not furnished with enclosure.

## Finish

ANSI-61 gray powder coated inside and out.

## IS3 Industry Standards

- NEMA Type 3R, 12 & Type 13
- UL Listed Type 3R & 12
- CSA Type 3R & 12
- IEC 60529 IP55

## IS4 Industry Standards

- NEMA Type 3R, 4, 12 & Type 13
- UL Listed Type 3R, 4 & 12
- CSA Type 3R, 4 & 12
- IEC 60529 IP66

\*\*\*To maintain Type 3R listing, drainage is required. Install equally rated drainage device or drill a 1/8 to 1/4 inch hole in the bottom center of the enclosure, approximately 1 inch from the right, and 1 inch from the left for drainage, use listed rain-tight or wet location hubs. Drip shield over the door is recommended for all outdoor applications.

## SINGLE-DOOR ENCLOSURES

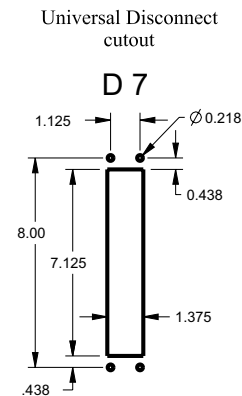
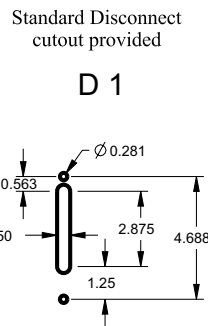
Enclosure Product Code A2					Sub-Panel (P3)		
Catalog No.	Height (A)	Width (B)	Depth (C)	Industry Standard	Catalog No.	Panel Height (D)	Panel Width (E)
<a href="#">SCE-72XM2818</a>	72.00	27.50	18.00	IS4	<a href="#">SCE-64P25**</a>	60.00	21.75
<a href="#">SCE-72XM2818G</a>	72.00	27.50	18.00	IS4	<a href="#">SCE-64P25GALV**</a>	60.00	21.75
<a href="#">SCE-72XM3418</a>	72.00	33.50	18.00	IS3	<a href="#">SCE-64P31**</a>	60.00	27.75
<a href="#">SCE-72XM3418G</a>	72.00	33.50	18.00	IS3	<a href="#">SCE-64P31GALV**</a>	60.00	27.75
<a href="#">SCE-72XM4018</a>	72.00	39.50	18.00	IS3	<a href="#">SCE-64P37**</a>	60.00	33.75
<a href="#">SCE-72XM4018G</a>	72.00	39.50	18.00	IS3	<a href="#">SCE-64P37GALV**</a>	60.00	33.75
<a href="#">SCE-84XM4018</a>	84.00	39.50	18.00	IS3	<a href="#">SCE-76P37**</a>	72.00	33.75
<a href="#">SCE-84XM4018G</a>	84.00	39.50	18.00	IS3	<a href="#">SCE-76P37GALV**</a>	72.00	33.75
<a href="#">SCE-84XM4024</a>	84.00	39.50	24.00	IS3	<a href="#">SCE-76P37**</a>	72.00	33.75
<a href="#">SCE-84XM4024G</a>	84.00	39.50	24.00	IS3	<a href="#">SCE-76P37GALV**</a>	72.00	33.75
<a href="#">SCE-90XM4018</a>	90.00	39.50	18.00	IS3	<a href="#">SCE-82P37**</a>	78.00	33.75
<a href="#">SCE-90XM4018G</a>	90.00	39.50	18.00	IS3	<a href="#">SCE-82P37GALV**</a>	78.00	33.75
<a href="#">SCE-90XM4024</a>	90.00	39.50	24.00	IS3	<a href="#">SCE-82P37**</a>	78.00	33.75
<a href="#">SCE-90XM4024G</a>	90.00	39.50	24.00	IS3	<a href="#">SCE-82P37GALV**</a>	78.00	33.75

Part numbers ending in "G" have galvanized sub-panels installed.

\*\*Sub-panel included with enclosure. Replacement sub-panels can be ordered.

### XM ENCLOSURES

\* Add the letter U to the end of the part number for enclosures with a universal disconnect cutout.



# HEAVY DUTY FREE-STANDING ENCLOSURES FOR FLANGE-MOUNTED DISCONNECTS

## TWO-DOOR ENCLOSURES

Enclosure Product Code A2					Sub-Panel (P3)		
Catalog No.	Height (A)	Width (B)	Depth (C)	Industry Standard	Catalog No.	Panel Height (D)	Panel Width (E)
<a href="#">SCE-72XM5418</a>	72.00	53.75	18.00	IS4	<a href="#">SCE-64P52**</a>	60.00	48.00
<a href="#">SCE-72XM5418G</a>	72.00	53.75	18.00	IS4	<a href="#">SCE-64P52GALV**</a>	60.00	48.00
<a href="#">SCE-72XM6618</a>	72.00	65.75	18.00	IS3	<a href="#">SCE-64P64**</a>	60.00	60.00
<a href="#">SCE-72XM6618G</a>	72.00	65.75	18.00	IS3	<a href="#">SCE-64P64GALV**</a>	60.00	60.00
<a href="#">SCE-72XM7818</a>	72.00	77.75	18.00	IS3	<a href="#">SCE-64P76**</a>	60.00	72.00
<a href="#">SCE-72XM7818G</a>	72.00	77.75	18.00	IS3	<a href="#">SCE-64P76GALV**</a>	60.00	72.00
<a href="#">SCE-72XM7824</a>	72.00	77.75	24.00	IS3	<a href="#">SCE-64P76**</a>	60.00	72.00
<a href="#">SCE-72XM7824G</a>	72.00	77.75	24.00	IS3	<a href="#">SCE-64P76GALV**</a>	60.00	72.00
<a href="#">SCE-84XM7818</a>	84.00	77.75	18.00	IS3	<a href="#">SCE-76P76**</a>	72.00	72.00
<a href="#">SCE-84XM7818G</a>	84.00	77.75	18.00	IS3	<a href="#">SCE-76P76GALV**</a>	72.00	72.00
<a href="#">SCE-84XM7824</a>	84.00	77.75	24.00	IS3	<a href="#">SCE-76P76**</a>	72.00	72.00
<a href="#">SCE-84XM7824G</a>	84.00	77.75	24.00	IS3	<a href="#">SCE-76P76GALV**</a>	72.00	72.00
<a href="#">SCE-90XM7818</a>	90.00	77.75	18.00	IS3	<a href="#">SCE-82P76**</a>	78.00	72.00
<a href="#">SCE-90XM7818G</a>	90.00	77.75	18.00	IS3	<a href="#">SCE-82P76GALV**</a>	78.00	72.00
<a href="#">SCE-90XM7824</a>	90.00	77.75	24.00	IS3	<a href="#">SCE-82P76**</a>	78.00	72.00
<a href="#">SCE-90XM7824G</a>	90.00	77.75	24.00	IS3	<a href="#">SCE-82P76GALV**</a>	78.00	72.00

Part numbers ending in "G" have galvanized sub-panels installed.

\*\*Sub-panel included with enclosure. Replacement sub-panels can be ordered.

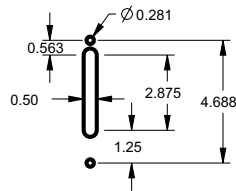
### XM ENCLOSURES

\* Add the letter U to the end of the part number for enclosures with a universal disconnect cutout.

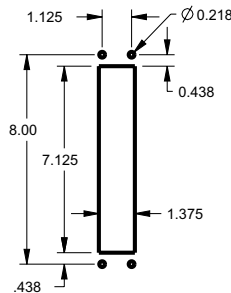
Standard Disconnect cutout provided

Universal Disconnect cutout

D 1



D 7



# HEAVY DUTY FREE-STANDING ENCLOSURES FOR FLANGE-MOUNTED DISCONNECTS

## Application

Designed to house electrical equipment and provide degree of protection from dirt, dust, oil and water and to house most standard type disconnects. For installation information, consult our installation manual at [www.saginawcontrol.com](http://www.saginawcontrol.com).

## Construction

- 0.125" carbon steel.
- Seams continuously welded and ground smooth.
- Flange trough collar around all sides of door opening.
- Body stiffeners in large enclosures for extra rigidity.
- Heavy duty lifting eyes anchor into reinforced top.
- Removable center posts permit easy sub-panel installation.
- Concealed hinges.
- Black zinc die cast coinproof/padlocking handle on main door with black zinc die cast padlocking handle on slave doors.
- 3-point latching mechanism.
- Ends of latch rods have ramp shoes for easier door closing.
- Panel supports.
- Large removable print pockets.
- Pour in place oil and water resistant gasket.
- Removable panels mount on collar studs.
- Master door is far right-hand door on all enclosures.
- Defeater on master door requires a screwdriver to open.
- Mechanical interlock activated by master door prevents slave doors from being opened first. Doors can be closed in any order.
- Hole plugs provided to seal holes in bottom of enclosure.
- Ground stud on door and body.
- Provisions for light kit.

Disconnect switch (or circuit breaker) and operating mechanism are not furnished with enclosure.

## Finish

ANSI-61 gray powder coated inside and out.

## IS3 Industry Standards

- NEMA Type 3R, 12 & Type 13
- UL Listed Type 3R & 12
- CSA Type 3R & 12
- IEC 60529 IP55

\*\*\*To maintain Type 3R listing, drainage is required. Install equally rated drainage device or drill a 1/8 to 1/4 inch hole in the bottom center of the enclosure, approximately 1 inch from the right, and 1 inch from the left for drainage, use listed rain-tight or wet location hubs. Drip shield over the door is recommended for all outdoor applications.

## THREE-DOOR ENCLOSURES

Enclosure Product Code A2					Sub-Panel (P3)		
Catalog No.	Height (A)	Width (B)	Depth (C)	Industry Standard	Catalog No.	Panel Height (D)	Panel Width (E)
<a href="#">SCE-72XM3EQ18</a>	72.00	99.50	18.00	IS3	<a href="#">SCE-64P31**</a>	60.00	27.75
					<a href="#">SCE-64P64**</a>	60.00	60.00
<a href="#">SCE-72XM3EQ18G</a>	72.00	99.50	18.00	IS3	<a href="#">SCE-64P31GALV**</a>	60.00	27.75
					<a href="#">SCE-64P64GALV**</a>	60.00	60.00
<a href="#">SCE-72XM3EW18</a>	72.00	117.50	18.00	IS3	<a href="#">SCE-64P37**</a>	60.00	33.75
					<a href="#">SCE-64P76**</a>	60.00	72.00
<a href="#">SCE-72XM3EW18G</a>	72.00	117.50	18.00	IS3	<a href="#">SCE-64P37GALV**</a>	60.00	33.75
					<a href="#">SCE-64P76GALV**</a>	60.00	72.00
<a href="#">SCE-84XM3EW18</a>	84.00	117.50	18.00	IS3	<a href="#">SCE-76P37**</a>	72.00	33.75
					<a href="#">SCE-76P76**</a>	72.00	72.00
<a href="#">SCE-84XM3EW18G</a>	84.00	117.50	18.00	IS3	<a href="#">SCE-76P37GALV**</a>	72.00	33.75
					<a href="#">SCE-76P76GALV**</a>	72.00	72.00
<a href="#">SCE-84XM3EW24</a>	84.00	117.50	24.00	IS3	<a href="#">SCE-76P37**</a>	72.00	33.75
					<a href="#">SCE-76P76**</a>	72.00	72.00
<a href="#">SCE-84XM3EW24G</a>	84.00	117.50	24.00	IS3	<a href="#">SCE-76P37GALV**</a>	72.00	33.75
					<a href="#">SCE-76P76GALV**</a>	72.00	72.00
<a href="#">SCE-90XM3EW24</a>	90.00	117.50	24.00	IS3	<a href="#">SCE-82P37**</a>	78.00	33.75
					<a href="#">SCE-82P76**</a>	78.00	72.00
<a href="#">SCE-90XM3EW24G</a>	90.00	117.50	24.00	IS3	<a href="#">SCE-82P37GALV**</a>	78.00	33.75
					<a href="#">SCE-82P76GALV**</a>	78.00	72.00

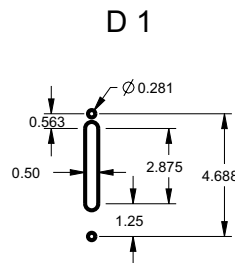
Part numbers ending in "G" have galvanized sub-panels installed.

\*\*Sub-panel included with enclosure. Replacement sub-panels can be ordered.

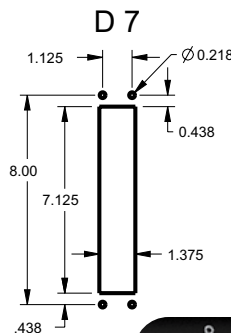
## XM ENCLOSURES

\* Add the letter U to the end of the part number for enclosures with a universal disconnect cutout.

Standard Disconnect cutout provided



Universal Disconnect cutout



# HEAVY DUTY FREE-STANDING ENCLOSURES FOR FLANGE-MOUNTED DISCONNECTS

## FOUR-DOOR ENCLOSURES

Enclosure Product Code A2					Sub-Panel (P3)		
Catalog No.	Height (A)	Width (B)	Depth (C)	Industry Standard	Catalog No.	Panel Height (D)	Panel Width (E)
<a href="#">SCE-84XM4EW18</a>	84.00	157.50	18.00	IS3	<a href="#">SCE-76P76**</a> (2)	72.00	72.00
<a href="#">SCE-84XM4EW18G</a>	84.00	157.50	18.00	IS3	<a href="#">SCE-76P76GALV**</a> (2)	72.00	72.00
<a href="#">SCE-84XM4EW24</a>	84.00	157.50	24.00	IS3	<a href="#">SCE-76P76**</a> (2)	72.00	72.00
<a href="#">SCE-84XM4EW24G</a>	84.00	157.50	24.00	IS3	<a href="#">SCE-76P76GALV**</a> (2)	72.00	72.00
<a href="#">SCE-90XM4EW18</a>	90.00	157.50	18.00	IS3	<a href="#">SCE-82P76**</a> (2)	78.00	72.00
<a href="#">SCE-90XM4EW18G</a>	90.00	157.50	18.00	IS3	<a href="#">SCE-82P76GALV**</a> (2)	78.00	72.00
<a href="#">SCE-90XM4EW24</a>	90.00	157.50	24.00	IS3	<a href="#">SCE-82P76**</a> (2)	78.00	72.00
<a href="#">SCE-90XM4EW24G</a>	90.00	157.50	24.00	IS3	<a href="#">SCE-82P76GALV**</a> (2)	78.00	72.00

## FIVE-DOOR ENCLOSURES

Enclosure Product Code A2					Sub-Panel (P3)		
Catalog No.	Height (A)	Width (B)	Depth (C)	Industry Standard	Catalog No.	Panel Height (D)	Panel Width (E)
<a href="#">SCE-84XM5EW18</a>	84.00	196.75	18.00	IS3	<a href="#">SCE-76P76**</a> (2) <a href="#">SCE-76P37**</a>	72.00 72.00	72.00 33.75
<a href="#">SCE-84XM5EW18G</a>	84.00	196.75	18.00	IS3	<a href="#">SCE-76P76GALV**</a> (2) <a href="#">SCE-76P37GALV**</a>	72.00 72.00	72.00 33.75
<a href="#">SCE-84XM5EW24</a>	84.00	196.75	24.00	IS3	<a href="#">SCE-76P76**</a> (2) <a href="#">SCE-76P37**</a>	72.00 72.00	72.00 33.75
<a href="#">SCE-84XM5EW24G</a>	84.00	196.75	24.00	IS3	<a href="#">SCE-76P76GALV**</a> (2) <a href="#">SCE-76P37GALV**</a>	72.00 72.00	72.00 33.75
<a href="#">SCE-90XM5EW18</a>	90.00	196.75	18.00	IS3	<a href="#">SCE-82P76**</a> (2) <a href="#">SCE-82P37**</a>	78.00 78.00	72.00 33.75
<a href="#">SCE-90XM5EW18G</a>	90.00	196.75	18.00	IS3	<a href="#">SCE-82P76GALV**</a> (2) <a href="#">SCE-82P37GALV**</a>	78.00 78.00	72.00 33.75
<a href="#">SCE-90XM5EW24</a>	90.00	196.75	24.00	IS3	<a href="#">SCE-82P76**</a> (2) <a href="#">SCE-82P37**</a>	78.00 78.00	72.00 33.75
<a href="#">SCE-90XM5EW24G</a>	90.00	196.75	24.00	IS3	<a href="#">SCE-82P76GALV**</a> (2) <a href="#">SCE-82P37GALV**</a>	78.00 78.00	72.00 33.75



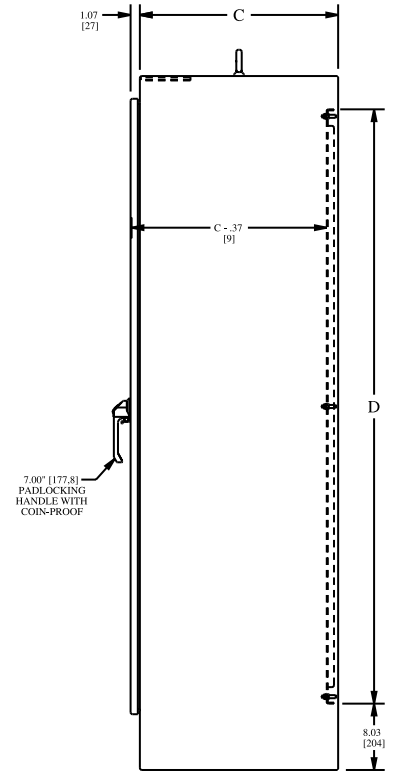
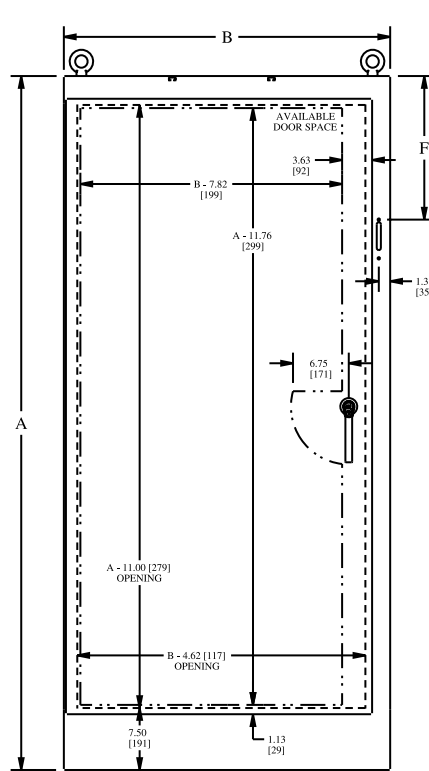
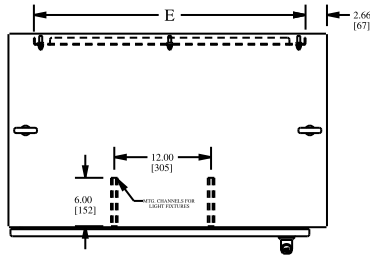
## SIX-DOOR ENCLOSURES

Enclosure Product Code A2					Sub-Panel (P3)		
Catalog No.	Height (A)	Width (B)	Depth (C)	Industry Standard	Catalog No.	Panel Height (D)	Panel Width (E)
<a href="#">SCE-84XM6EW24</a>	84.00	235.00	24.00	IS3	<a href="#">SCE-76P76**</a> (3)	72.00	72.00
<a href="#">SCE-84XM6EW24G</a>	84.00	235.00	24.00	IS3	<a href="#">SCE-76P76GALV**</a> (3)	72.00	72.00
<a href="#">SCE-90XM6EW24</a>	90.00	235.00	24.00	IS3	<a href="#">SCE-82P76**</a> (3)	78.00	72.00
<a href="#">SCE-90XM6EW24G</a>	90.00	235.00	24.00	IS3	<a href="#">SCE-82P76GALV**</a> (3)	78.00	72.00

# HEAVY DUTY FREE-STANDING ENCLOSURES FOR FLANGE-MOUNTED DISCONNECTS

## TECHNICAL DATA

### SINGLE-DOOR ENCLOSURES



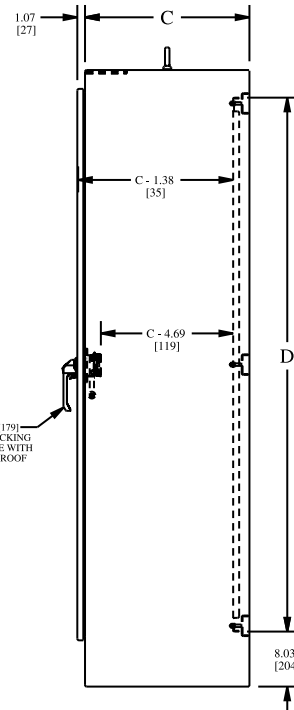
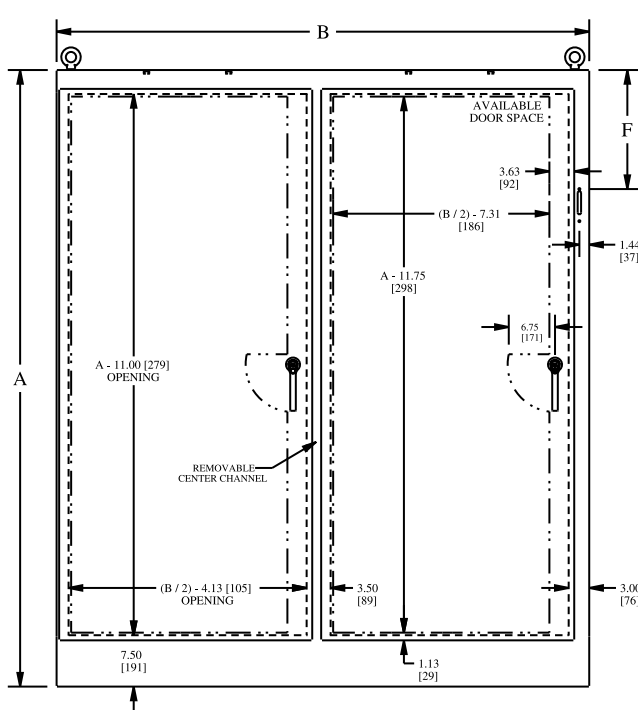
**STANDARD DISCONNECTS:**

- F = 11.88 [301,7] when A = 72.00 [1828,8]
- F = 17.38 [441,4] when A = 84.00 [2133,6]
- F = 20.38 [517,6] when A = 90.00 [228,6]

**U TYPE (Universal) DISCONNECTS:**

- F = 11.88 [301,8] when A = 72
- F = 17.63 [447,8] when A = 84 & 90

### TWO-DOOR ENCLOSURES

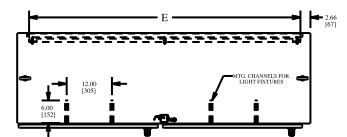


**STANDARD DISCONNECTS:**

- F = 11.88 [301,7] when A = 72.00 [1828,8]
- F = 17.38 [441,4] when A = 84.00 [2133,6]
- F = 20.38 [517,6] when A = 90.00 [228,6]

**U TYPE (Universal) DISCONNECTS:**

- F = 11.88 [301,8] when A = 72
- F = 17.63 [447,8] when A = 84 & 90

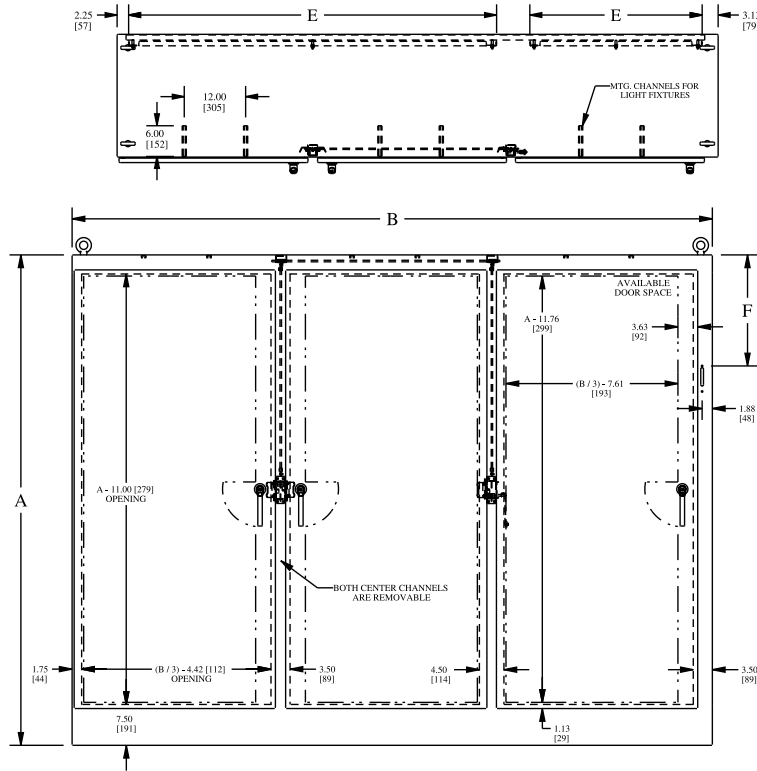




# HEAVY DUTY FREE-STANDING ENCLOSURES FOR FLANGE-MOUNTED DISCONNECTS

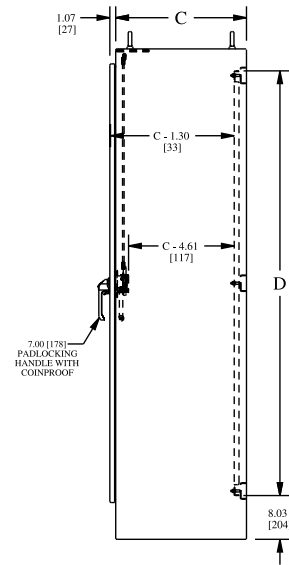
## TECHNICAL DATA

### THREE-DOOR ENCLOSURES

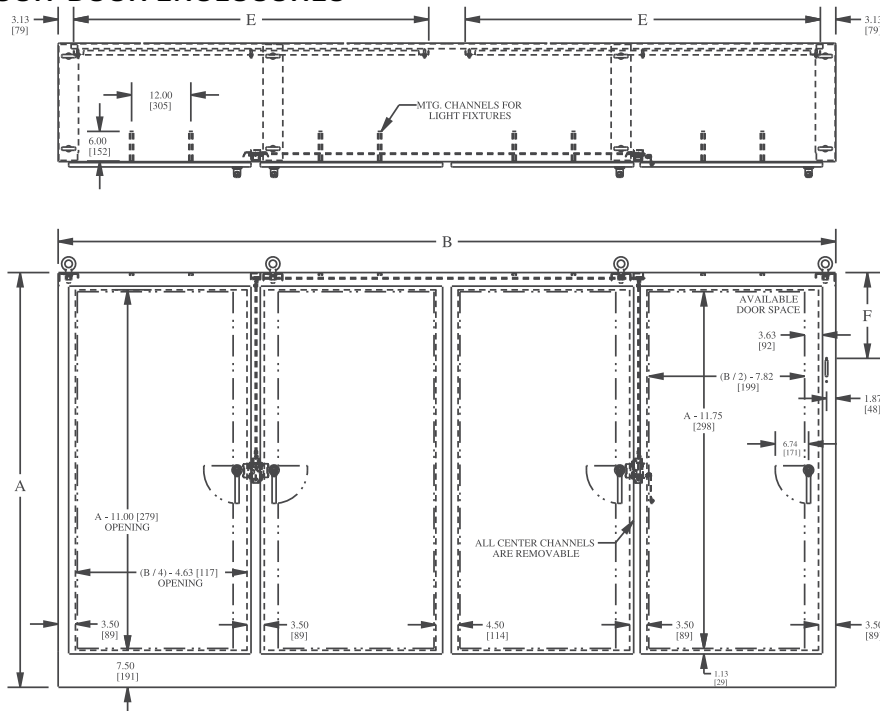


STANDARD DISCONNECTS:  
 F = 11.88 [301,7] when A = 72.00 [1828,8]  
 F = 17.38 [441,4] when A = 84.00 [2133,6]  
 F = 20.38 [517,6] when A = 90.00 [228,6]

U TYPE (Universal) DISCONNECTS:  
 F = 11.88 [301,8] when A = 72  
 F = 17.63 [447,8] when A = 84 & 90

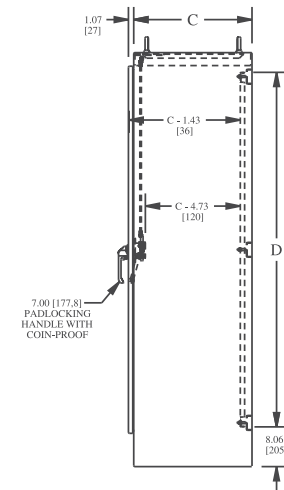


### FOUR-DOOR ENCLOSURES



STANDARD DISCONNECTS:  
 F = 11.88 [301,7] when A = 72.00 [1828,8]  
 F = 17.38 [441,4] when A = 84.00 [2133,6]  
 F = 20.38 [517,6] when A = 90.00 [228,6]

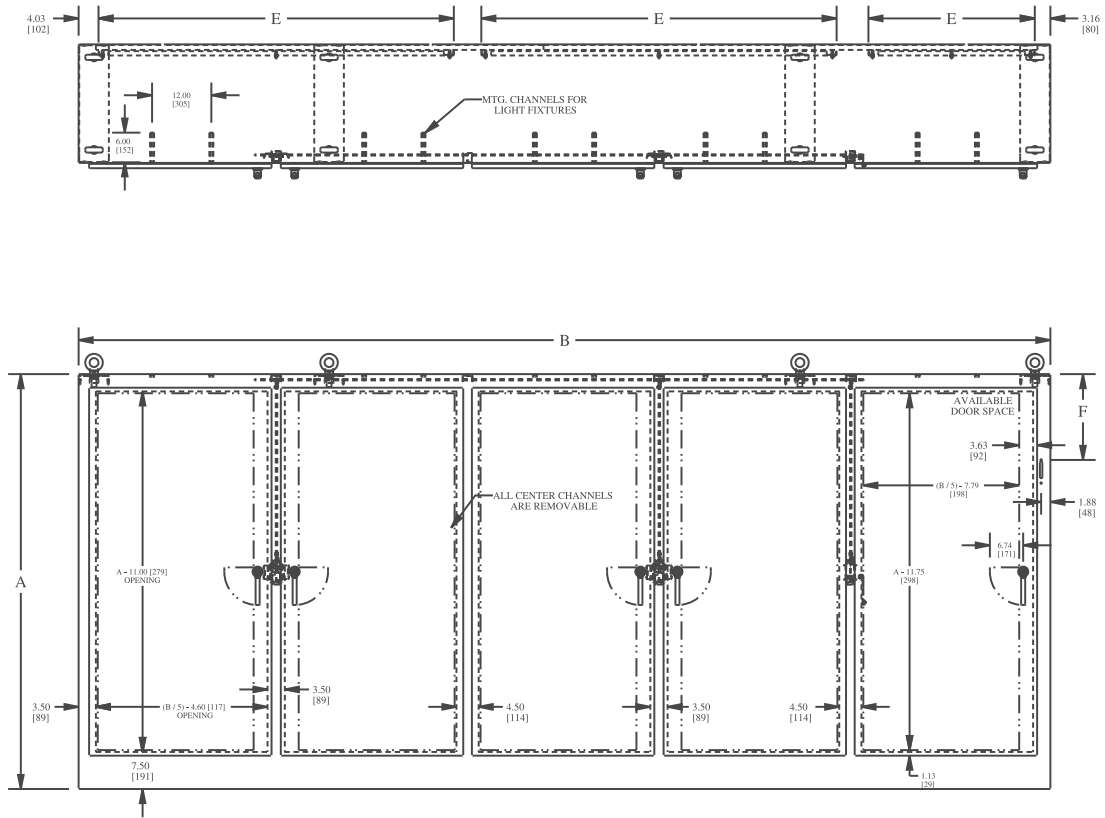
U TYPE (Universal) DISCONNECTS:  
 F = 17.63 [447,8]



# HEAVY DUTY FREE-STANDING ENCLOSURES FOR FLANGE-MOUNTED DISCONNECTS

## TECHNICAL DATA

### FIVE-DOOR ENCLOSURES



**STANDARD DISCONNECTS:**

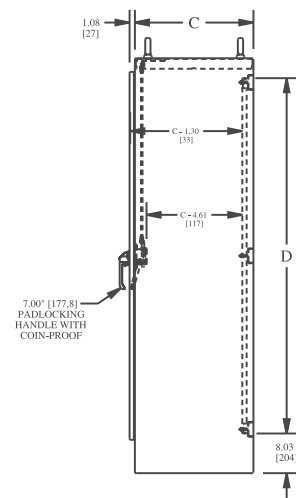
F = 11.88 [301,7] when A = 72.00 [1828,8]

F = 17.38 [441,4] when A = 84.00 [2133,6]

F = 20.38 [517,6] when A = 90.00 [228,6]

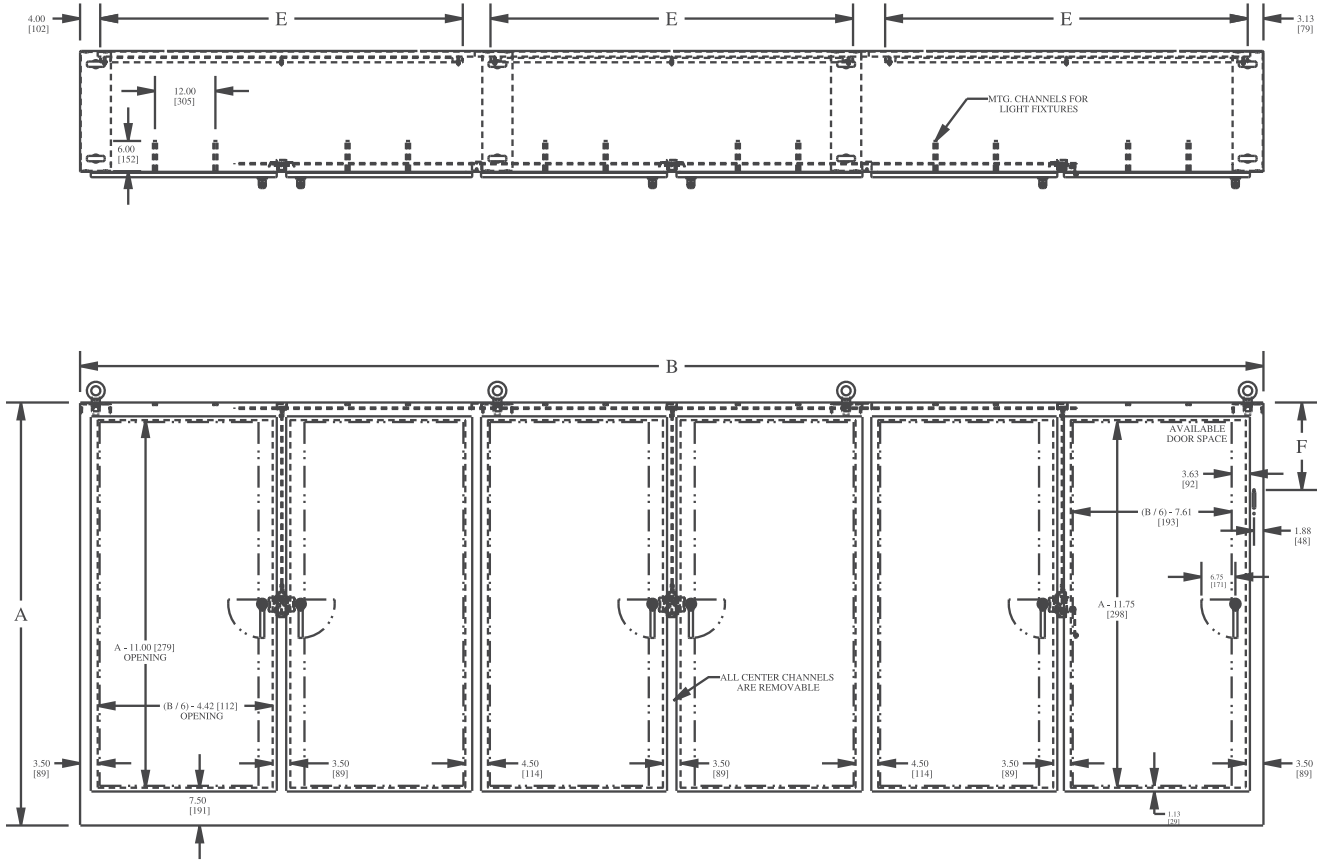
**U TYPE (Universal) DISCONNECTS:**

F = 17.63 [447,8]



# HEAVY DUTY FREE-STANDING ENCLOSURES FOR FLANGE-MOUNTED DISCONNECTS TECHNICAL DATA

## SIX-DOOR ENCLOSURES



STANDARD DISCONNECTS:

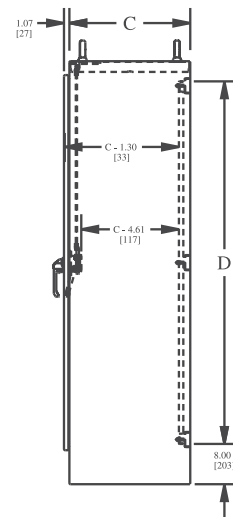
$F = 11.88 [301,7]$  when  $A = 72.00 [1828,8]$

$F = 17.38 [441,4]$  when  $A = 84.00 [2133,6]$

$F = 20.38 [517,6]$  when  $A = 90.00 [228,6]$

U TYPE (Universal) DISCONNECTS:

$F = 17.63 [447,8]$



# XD HEAVY DUTY FREE-STANDING ENCLOSURES WITH EXTERNAL DISCONNECT ENCLOSURE INSTALLED

## SINGLE-DOOR ENCLOSURES

### Application

Designed to house the main power supply in external enclosure on the right side of main enclosure, keeping the live side of the power supply separate from the primary electrical equipment. Provides protection from dirt, dust, oil and water and can house most standard type disconnects. For installation information consult our installation manual at [www.saginawcontrol.com](http://www.saginawcontrol.com).

### Construction

- 0.125" carbon steel.
- Seams continuously welded and ground smooth.
- Flange trough collar around all sides of door opening.
- Body stiffeners in large enclosures for extra rigidity.
- Heavy duty lifting eyes anchor into reinforced top.
- Removable center posts permit easy sub-panel installation.
- Concealed hinges.
- Black zinc die cast padlocking handles.
- 3-point latching mechanism.
- Large removable print pockets.
- Pour in place oil and water resistant gasket.
- Removable panels mount on collar studs.
- Defeater on master door requires a screwdriver to open.
- Mechanical interlock activated by the External Disconnect prevents main door of the enclosure from being closed unless the EXD enclosure is first closed.
- Mechanical interlock activated by master door prevents slave doors from being opened first. Doors can be closed in any order.
- Hole plugs provided to seal holes in bottom of enclosure.
- Ground stud on door and body.
- Provisions for light kit.

Disconnect switch (or circuit breaker) and operating mechanism are not furnished with enclosure.

### Finish

ANSI-61 gray powder coated inside and out.

### IS3 Industry Standards

NEMA Type 3R, 12 & Type 13  
 UL Listed Type 3R & 12  
 CSA Type 3R & 12  
 IEC 60529 IP55

### IS4 Industry Standards

NEMA Type 3R, 4, 12 & Type 13  
 UL Listed Type 3R, 4 & 12  
 CSA Type 3R, 4 & 12  
 IEC 60529 IP66

\*\*\*To maintain Type 3R listing, drainage is required. Install equally rated drainage device or drill a 1/8 to 1/4 inch hole in the bottom center of the enclosure, approximately 1 inch from the right, and 1 inch from the left for drainage, use listed rain-tight or wet location hubs. Drip shield over the door is recommended for all outdoor applications.

Enclosure Product Code A2

Sub-Panel (P3)

Catalog No.	Height (A)	Width (B)	Depth (C)	Industry Standard	Catalog No.	Panel Height (D)	Panel Width (E)
<a href="#">SCE-72XD2818</a>	72.00	27.50	18.00	IS4	<a href="#">SCE-64P25**</a>	60.00	21.75
<a href="#">SCE-72XD2818G</a>	72.00	27.50	18.00	IS4	<a href="#">SCE-64P25GALV**</a>	60.00	21.75
<a href="#">SCE-72XD3418</a>	72.00	33.50	18.00	IS3	<a href="#">SCE-64P31**</a>	60.00	27.75
<a href="#">SCE-72XD3418G</a>	72.00	33.50	18.00	IS3	<a href="#">SCE-64P31GALV**</a>	60.00	27.75
<a href="#">SCE-72XD4018</a>	72.00	39.50	18.00	IS3	<a href="#">SCE-64P37**</a>	60.00	33.75
<a href="#">SCE-72XD4018G</a>	72.00	39.50	18.00	IS3	<a href="#">SCE-64P37GALV**</a>	60.00	33.75
<a href="#">SCE-84XD4018</a>	84.00	39.50	18.00	IS3	<a href="#">SCE-76P37**</a>	72.00	33.75
<a href="#">SCE-84XD4018G</a>	84.00	39.50	18.00	IS3	<a href="#">SCE-76P37GALV**</a>	72.00	33.75
<a href="#">SCE-90XD4018</a>	90.00	39.50	18.00	IS3	<a href="#">SCE-82P37**</a>	78.00	33.75
<a href="#">SCE-90XD4018G</a>	90.00	39.50	18.00	IS3	<a href="#">SCE-82P37GALV**</a>	78.00	33.75

## TWO-DOOR ENCLOSURES

Enclosure Product Code A2

Sub-Panel (P3)

Catalog No.	Height (A)	Width (B)	Depth (C)	Industry Standard	Catalog No.	Panel Height (D)	Panel Width (E)
<a href="#">SCE-72XD5418</a>	72.00	53.75	18.00	IS4	<a href="#">SCE-64P52**</a>	60.00	48.00
<a href="#">SCE-72XD5418G</a>	72.00	53.75	18.00	IS4	<a href="#">SCE-64P52GALV**</a>	60.00	48.00
<a href="#">SCE-72XD6618</a>	72.00	65.75	18.00	IS3	<a href="#">SCE-64P64**</a>	60.00	60.00
<a href="#">SCE-72XD6618G</a>	72.00	65.75	18.00	IS3	<a href="#">SCE-64P64GALV**</a>	60.00	60.00
<a href="#">SCE-72XD7818</a>	72.00	77.75	18.00	IS3	<a href="#">SCE-64P76**</a>	60.00	72.00
<a href="#">SCE-72XD7818G</a>	72.00	77.75	18.00	IS3	<a href="#">SCE-64P76GALV**</a>	60.00	72.00
<a href="#">SCE-84XD7818</a>	84.00	77.75	18.00	IS3	<a href="#">SCE-76P76**</a>	72.00	72.00
<a href="#">SCE-84XD7818G</a>	84.00	77.75	18.00	IS3	<a href="#">SCE-76P76GALV**</a>	72.00	72.00
<a href="#">SCE-90XD7818</a>	90.00	77.75	18.00	IS3	<a href="#">SCE-82P76**</a>	78.00	72.00
<a href="#">SCE-90XD7818G</a>	90.00	77.75	18.00	IS3	<a href="#">SCE-82P76GALV**</a>	78.00	72.00

Part numbers ending in "G" have galvanized sub-panels installed.

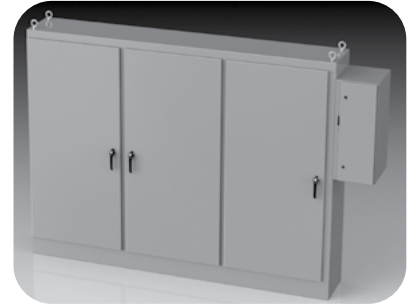
\*\*Sub-panel included with enclosure. Replacement sub-panels can be ordered.



# XD HEAVY DUTY FREE-STANDING ENCLOSURES WITH EXTERNAL DISCONNECT ENCLOSURE INSTALLED

## THREE-DOOR ENCLOSURES

Enclosure Product Code A2					Sub-Panel (P3)		
Catalog No.	Height (A)	Width (B)	Depth (C)	Industry Standard	Catalog No.	Panel Height (D)	Panel Width (E)
<a href="#">SCE-72XD3EQ18</a>	72.00	99.50	18.00	IS3	<a href="#">SCE-64P31**</a>	60.00	27.75
					<a href="#">SCE-64P64**</a>	60.00	60.00
<a href="#">SCE-72XD3EQ18G</a>	72.00	99.50	18.00	IS3	<a href="#">SCE-64P31GALV**</a>	60.00	27.75
					<a href="#">SCE-64P64GALV**</a>	60.00	60.00
<a href="#">SCE-72XD3EW18</a>	72.00	117.50	18.00	IS3	<a href="#">SCE-76P37**</a>	72.00	33.75
					<a href="#">SCE-64P76**</a>	60.00	72.00
<a href="#">SCE-72XD3EW18G</a>	72.00	117.50	18.00	IS3	<a href="#">SCE-76P37GALV**</a>	72.00	33.75
					<a href="#">SCE-64P76GALV**</a>	60.00	72.00
<a href="#">SCE-84XD3EW18</a>	84.00	117.50	18.00	IS3	<a href="#">SCE-76P37**</a>	72.00	33.75
					<a href="#">SCE-76P76**</a>	72.00	72.00
<a href="#">SCE-84XD3EW18G</a>	84.00	117.50	18.00	IS3	<a href="#">SCE-76P37GALV**</a>	72.00	33.75
					<a href="#">SCE-76P76GALV**</a>	72.00	72.00



## FOUR-DOOR ENCLOSURES

Enclosure Product Code A2					Sub-Panel (P3)		
Catalog No.	Height (A)	Width (B)	Depth (D)	Industry Standard	Catalog No.	Panel Height (D)	Panel Width (E)
<a href="#">SCE-84XD4EW18</a>	84.00	157.50	18.00	IS3	<a href="#">SCE-76P76**(2)</a>	72.00	72.00
<a href="#">SCE-84XD4EW18G</a>	84.00	157.50	18.00	IS3	<a href="#">SCE-76P76GALV**(2)</a>	72.00	72.00
<a href="#">SCE-90XD4EW18</a>	90.00	157.50	18.00	IS3	<a href="#">SCE-82P76**(2)</a>	78.00	72.00
<a href="#">SCE-90XD4EW18G</a>	90.00	157.50	18.00	IS3	<a href="#">SCE-82P76GALV**(2)</a>	78.00	72.00

## FIVE-DOOR ENCLOSURES

Enclosure Product Code A2					Sub-Panel (P3)		
Catalog No.	Height (A)	Width (B)	Depth (D)	Industry Standard	Catalog No.	Panel Height (D)	Panel Width (E)
<a href="#">SCE-84XD5EW18</a>	84.00	196.75	18.00	IS3	<a href="#">SCE-76P76**(2)</a>	72.00	72.00
					<a href="#">SCE-76P37**</a>	72.00	33.75
<a href="#">SCE-84XD5EW18G</a>	84.00	196.75	18.00	IS3	<a href="#">SCE-76P76GALV**(2)</a>	72.00	72.00
					<a href="#">SCE-76P37GALV**</a>	72.00	33.75
<a href="#">SCE-90XD5EW18</a>	90.00	196.75	18.00	IS3	<a href="#">SCE-82P76**(2)</a>	78.00	72.00
					<a href="#">SCE-82P37**</a>	78.00	33.75
<a href="#">SCE-90XD5EW18G</a>	90.00	196.75	18.00	IS3	<a href="#">SCE-82P76GALV**(2)</a>	78.00	72.00
					<a href="#">SCE-82P37GALV**</a>	78.00	33.75

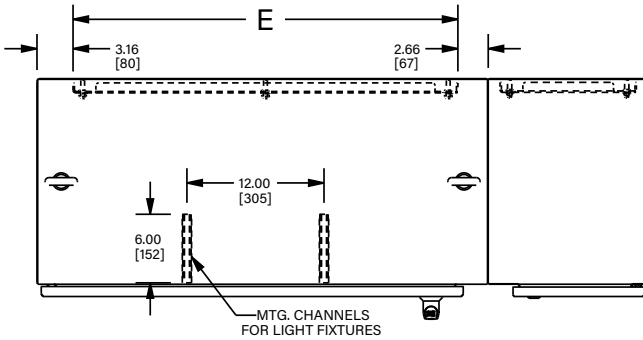
## SIX-DOOR ENCLOSURES

Enclosure Product Code A2					Sub-Panel (P3)		
Catalog No.	Height (A)	Width (B)	Depth (D)	Industry Standard	Catalog No.	Panel Height (D)	Panel Width (E)
<a href="#">SCE-84XD6EW18</a>	84.00	235.00	18.00	IS3	<a href="#">SCE-76P76**(3)</a>	72.00	72.00
<a href="#">SCE-84XD6EW18G</a>	84.00	235.00	18.00	IS3	<a href="#">SCE-76P76GALV**(3)</a>	72.00	72.00
<a href="#">SCE-90XD6EW18</a>	90.00	235.00	18.00	IS3	<a href="#">SCE-82P76**(3)</a>	78.00	72.00
<a href="#">SCE-90XD6EW18G</a>	90.00	235.00	18.00	IS3	<a href="#">SCE-82P76GALV**(3)</a>	78.00	72.00

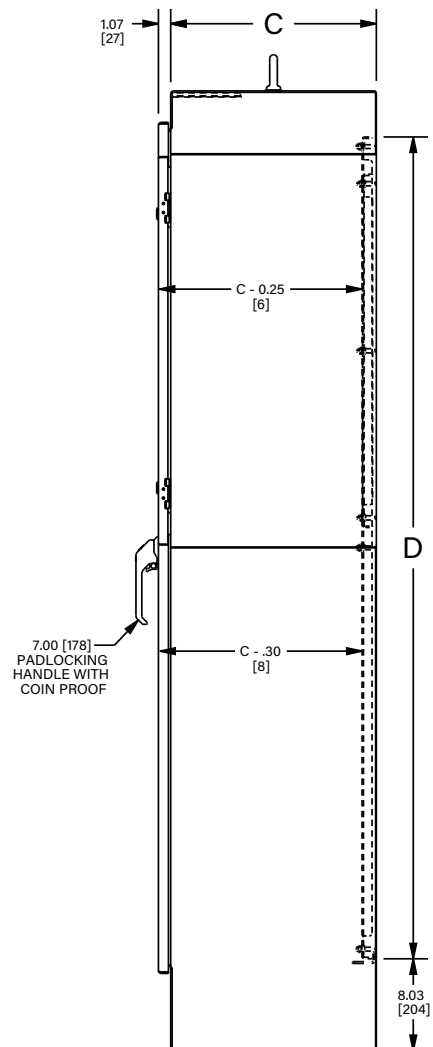
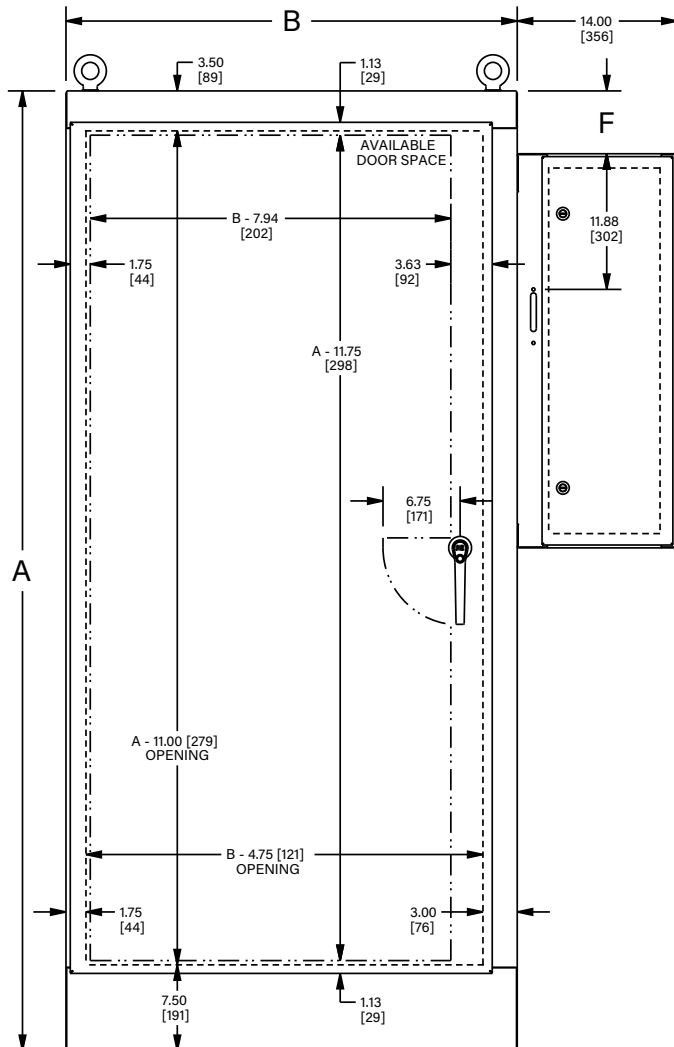
# XD HEAVY DUTY FREE-STANDING ENCLOSURES WITH EXTERNAL DISCONNECT ENCLOSURE INSTALLED

## TECHNICAL DATA

### SINGLE-DOOR ENCLOSURES



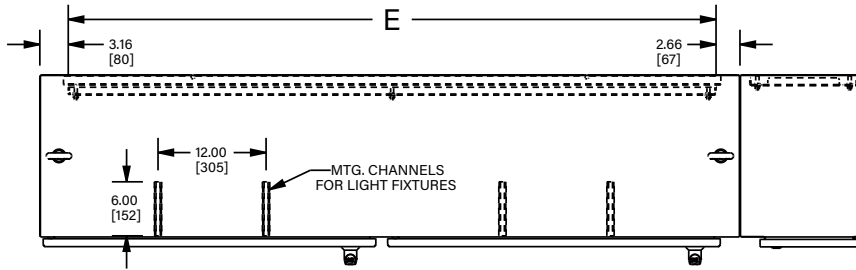
STANDARD DISCONNECTS:  
 F = 0.00 [0] when A = 72.00 [1829]  
 F = 5.50 [138] when A = 84.00 [2134]  
 F = 8.50 [216] when A = 90.00 [2286]



# XD HEAVY DUTY FREE-STANDING ENCLOSURES WITH EXTERNAL DISCONNECT ENCLOSURE INSTALLED

## TECHNICAL DATA

### TWO-DOOR ENCLOSURES

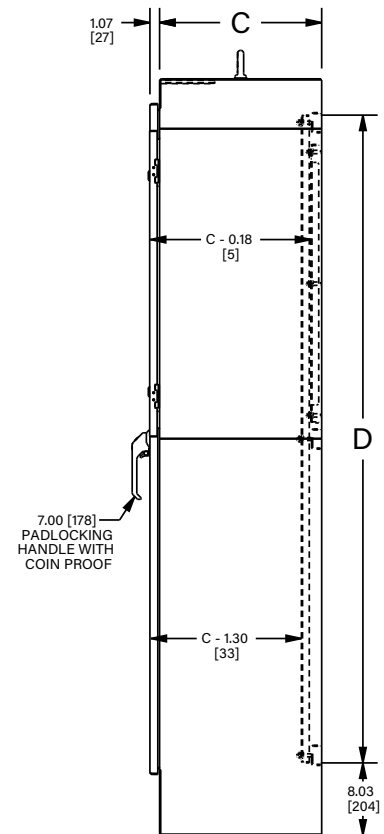
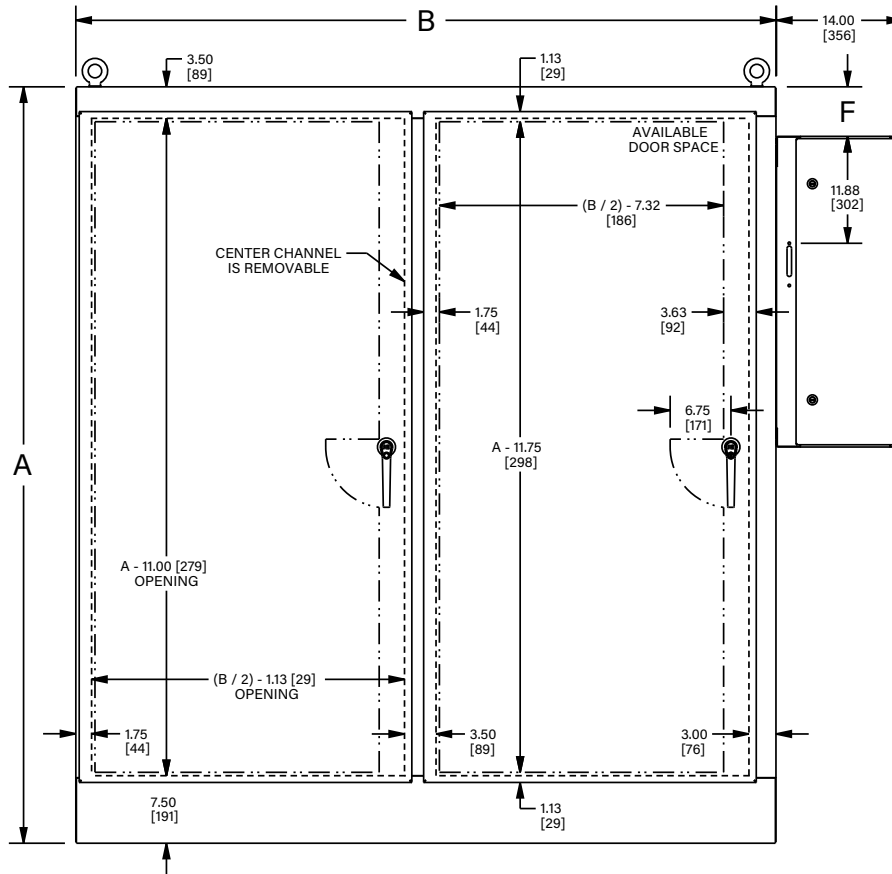


#### STANDARD DISCONNECTS:

F = 0.00 [0] when A = 72.00 [1829]

F = 5.50 [138] when A = 84.00 [2134]

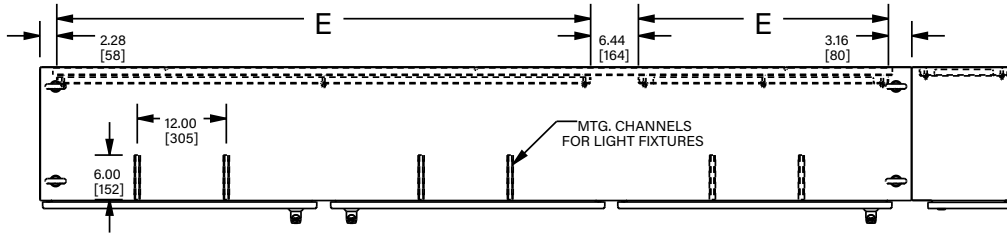
F = 8.50 [216] when A = 90.00 [2286]



# XD HEAVY DUTY FREE-STANDING ENCLOSURES WITH EXTERNAL DISCONNECT ENCLOSURE INSTALLED

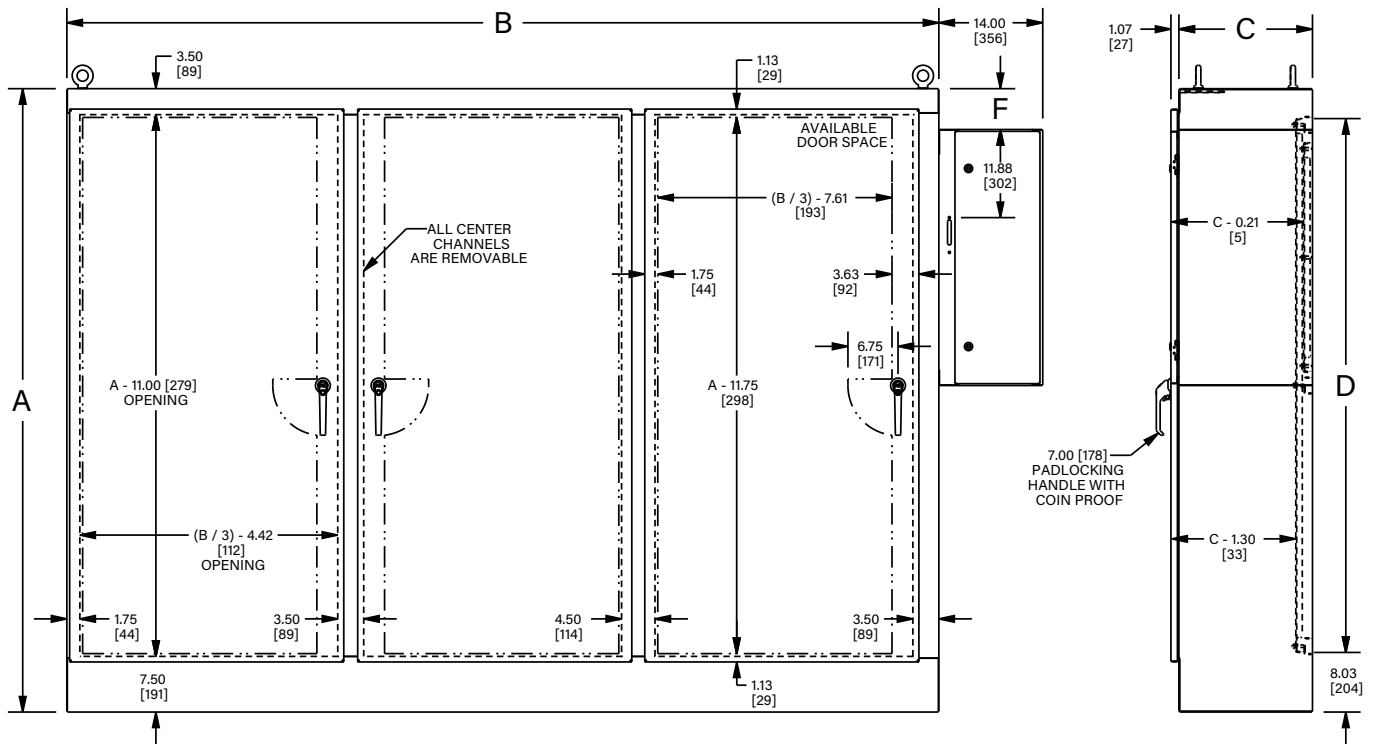
## TECHNICAL DATA

### THREE-DOOR ENCLOSURES



#### STANDARD DISCONNECTS:

- F = 0.00 [0] when A = 72.00 [1829]
- F = 5.50 [138] when A = 84.00 [2134]
- F = 8.50 [216] when A = 90.00 [2286]

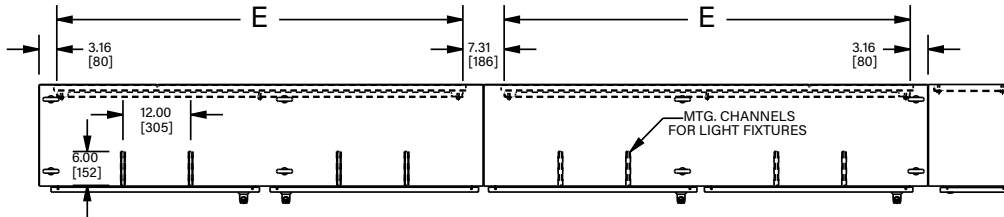




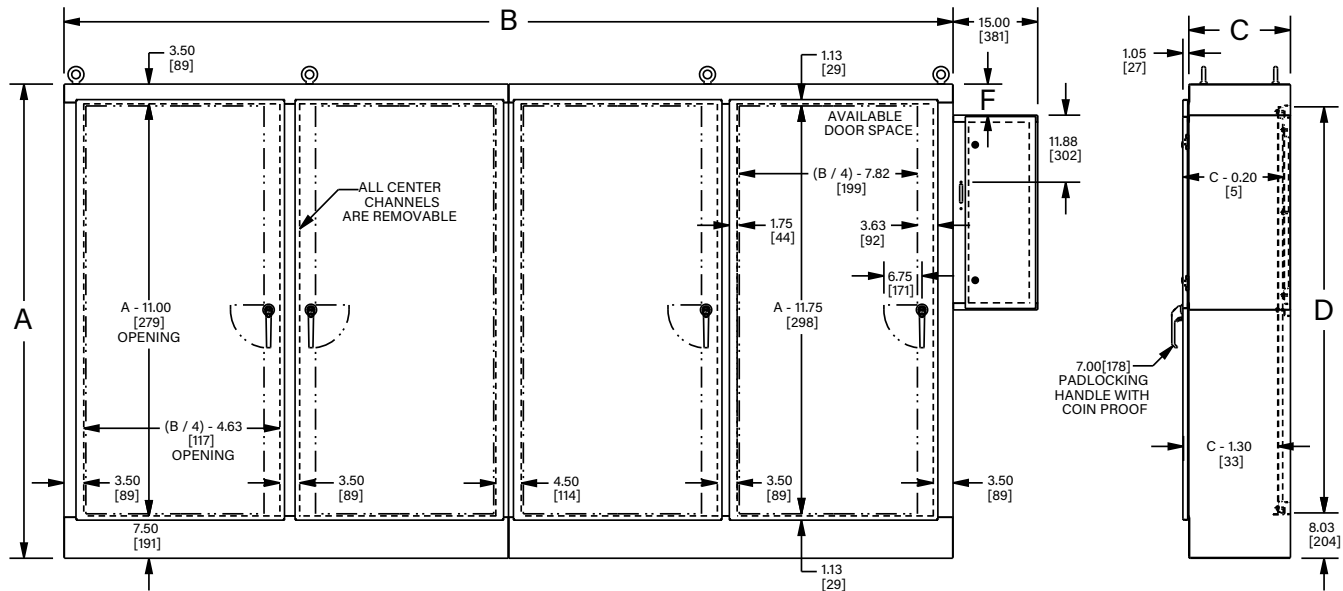
# XD HEAVY DUTY FREE-STANDING ENCLOSURES WITH EXTERNAL DISCONNECT ENCLOSURE INSTALLED

## TECHNICAL DATA

### FOUR-DOOR ENCLOSURES



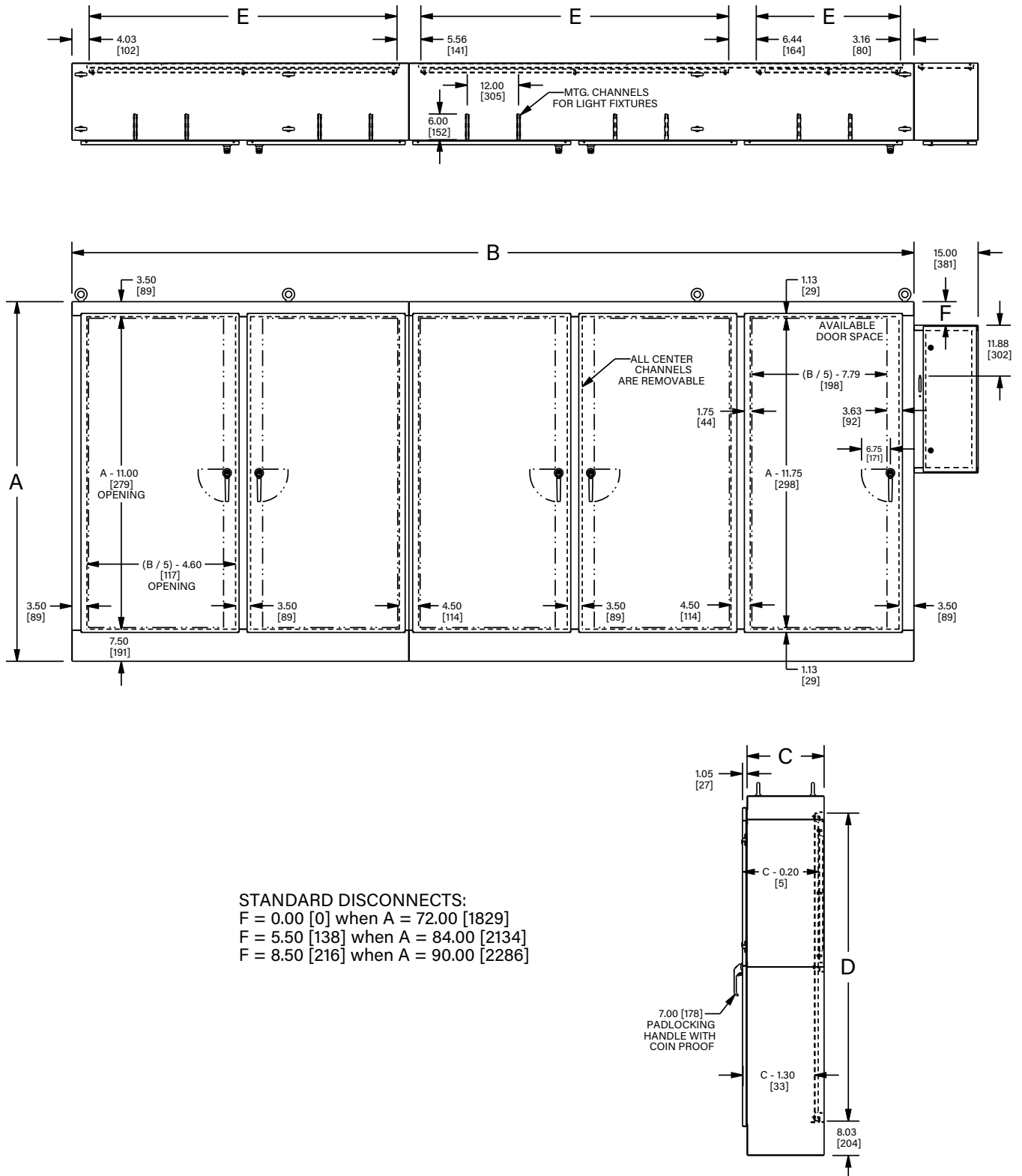
STANDARD DISCONNECTS:  
 $F = 0.00$  [0] when  $A = 72.00$  [1829]  
 $F = 5.50$  [138] when  $A = 84.00$  [2134]  
 $F = 8.50$  [216] when  $A = 90.00$  [2286]



# XD HEAVY DUTY FREE-STANDING ENCLOSURES WITH EXTERNAL DISCONNECT ENCLOSURE INSTALLED

## TECHNICAL DATA

### FIVE-DOOR ENCLOSURES

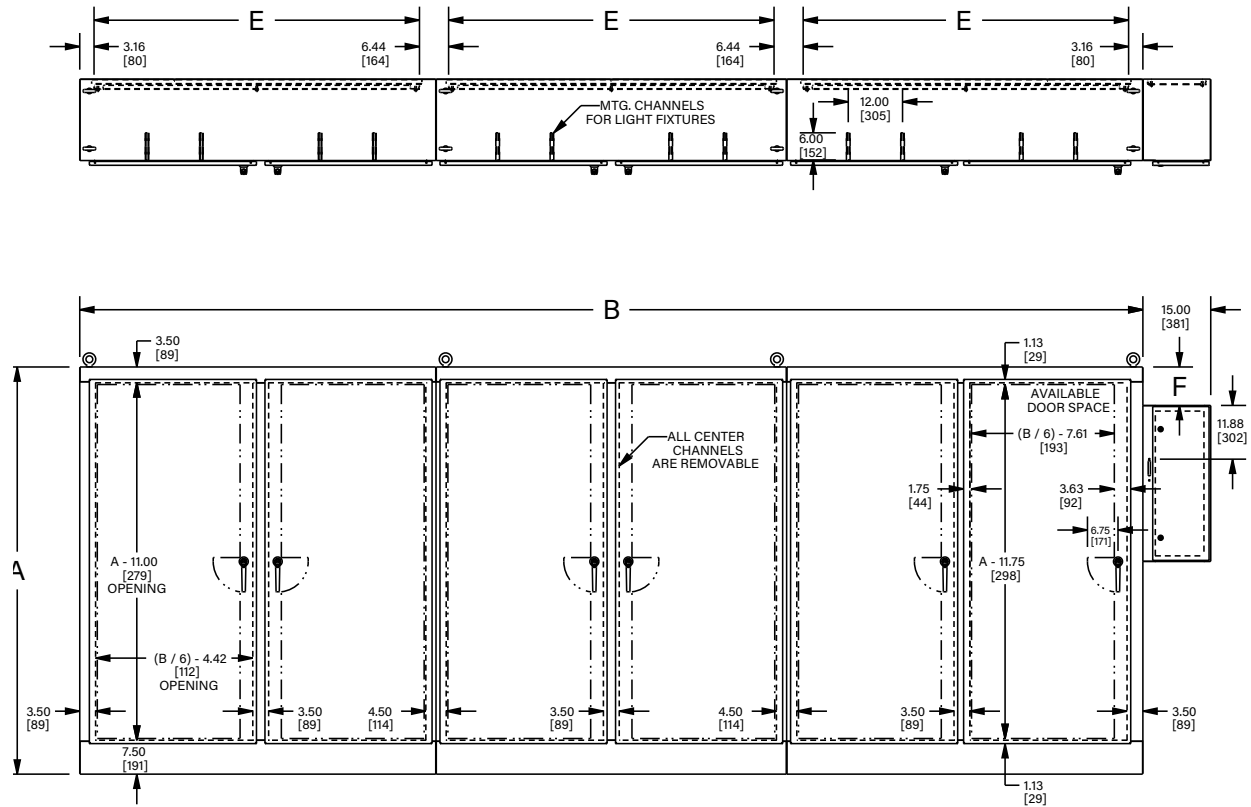


STANDARD DISCONNECTS:  
 F = 0.00 [0] when A = 72.00 [1829]  
 F = 5.50 [138] when A = 84.00 [2134]  
 F = 8.50 [216] when A = 90.00 [2286]

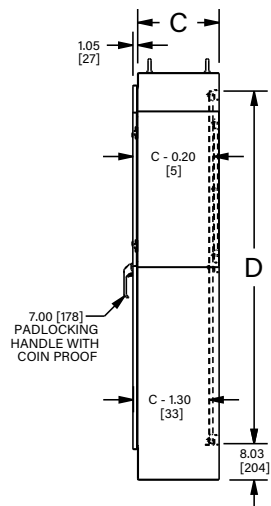
# XD HEAVY DUTY FREE-STANDING ENCLOSURES WITH EXTERNAL DISCONNECT ENCLOSURE INSTALLED

## TECHNICAL DATA

### SIX-DOOR ENCLOSURES



STANDARD DISCONNECTS:  
 $F = 0.00$  [0] when  $A = 72.00$  [1829]  
 $F = 5.50$  [138] when  $A = 84.00$  [2134]  
 $F = 8.50$  [216] when  $A = 90.00$  [2286]



# XR HEAVY DUTY FREE-STANDING ENCLOSURES WITH EXTERNAL ENCLOSURE FOR ROTARY DISCONNECT

## Application

Designed to house the main power supply in external enclosure on the right side of main enclosure, keeping the live side of the power supply separate from the primary electrical equipment. Provision for Compact Fusible Disconnect with Rotary handle Disconnect 30 to 200 amp Allen-Bradley 194R, Square D GS2, Eaton/Bussmann R9, Siemens CFS models and Socomec Fuserbloc models. Provides protection from dirt, dust, oil and water and can house . For installation information consult our installation manual at [www.saginawcontrol.com](http://www.saginawcontrol.com)

## Construction

- 0.125" carbon steel.
- Seams continuously welded and ground smooth.
- Flange trough collar around all sides of door opening.
- Body stiffeners in large enclosures for extra rigidity.
- Heavy duty lifting eyes anchor into reinforced top.
- Removable center posts permit easy sub-panel installation.
- Concealed hinges.
- Black zinc die cast padlocking handles.
- 3-point latching mechanism.
- Large removable print pockets.
- Pour in place oil and water resistant gasket.
- Removable panels mount on collar studs.
- Defeater on master door requires a screwdriver to open.
- Mechanical interlock activated by the External Disconnect prevents main door of the enclosure from being closed unless the EXD enclosure is first closed.
- Mechanical interlock activated by master door prevents slave doors from being opened first. Doors can be closed in any order.
- Hole plugs provided to seal holes in bottom of enclosure.
- Ground stud on door and body.
- Provisions for light kit.
- Provision Compact Fusible Disconnect with Rotary handle Disconnect 30 to 200 amp Allen-Bradley 194R, Square D GS2, Eaton/Bussmann R9, Siemens CFS models and Socomec Fuserbloc models.

Disconnect switch (or circuit breaker) and operating mechanism are not furnished with enclosure.

## Finish

ANSI-61 gray powder coated inside and out.

## IS3 Industry Standards

NEMA Type 3R, 12 & Type 13  
UL Listed Type 3R & 12  
CSA Type 3R & 12  
IEC 60529 IP55

## IS4 Industry Standards

NEMA Type 3R, 4, 12 & Type 13  
UL Listed Type 3R, 4 & 12  
CSA Type 3R, 4 & 12  
IEC 60529 IP66

## SINGLE-DOOR ENCLOSURES

Enclosure Product Code A2					Sub-Panel (P3)		
Catalog No.	Height (A)	Width (B)	Depth (C)	Industry Standard	Catalog No.	Panel Height (D)	Panel Width (E)
<a href="#">SCE-72XR2818</a>	72.00	27.50	18.00	IS4	<a href="#">SCE-64P25**</a>	60.00	21.75
<a href="#">SCE-72XR2818G</a>	72.00	27.50	18.00	IS4	<a href="#">SCE-64P25GALV**</a>	60.00	21.75
<a href="#">SCE-72XR3418</a>	72.00	33.50	18.00	IS3	<a href="#">SCE-64P31**</a>	60.00	27.75
<a href="#">SCE-72XR3418G</a>	72.00	33.50	18.00	IS3	<a href="#">SCE-64P31GALV**</a>	60.00	27.75
<a href="#">SCE-72XR4018</a>	72.00	39.50	18.00	IS3	<a href="#">SCE-64P37**</a>	60.00	33.75
<a href="#">SCE-72XR4018G</a>	72.00	39.50	18.00	IS3	<a href="#">SCE-64P37GALV**</a>	60.00	33.75
<a href="#">SCE-84XR4018</a>	84.00	39.50	18.00	IS3	<a href="#">SCE-76P37**</a>	72.00	33.75
<a href="#">SCE-84XR4018G</a>	84.00	39.50	18.00	IS3	<a href="#">SCE-76P37GALV**</a>	72.00	33.75
<a href="#">SCE-90XR4018</a>	90.00	39.50	18.00	IS3	<a href="#">SCE-82P37**</a>	78.00	33.75
<a href="#">SCE-90XR4018G</a>	90.00	39.50	18.00	IS3	<a href="#">SCE-82P37GALV**</a>	78.00	33.75

## TWO-DOOR ENCLOSURES

Enclosure Product Code A2					Sub-Panel (P3)		
Catalog No.	Height (A)	Width (B)	Depth (C)	Industry Standard	Catalog No.	Panel Height (D)	Panel Width (E)
<a href="#">SCE-72XR5418</a>	72.00	53.75	18.00	IS4	<a href="#">SCE-64P52**</a>	60.00	48.00
<a href="#">SCE-72XR5418G</a>	72.00	53.75	18.00	IS4	<a href="#">SCE-64P52GALV**</a>	60.00	48.00
<a href="#">SCE-72XR6618</a>	72.00	65.75	18.00	IS3	<a href="#">SCE-64P64**</a>	60.00	60.00
<a href="#">SCE-72XR6618G</a>	72.00	65.75	18.00	IS3	<a href="#">SCE-64P64GALV**</a>	60.00	60.00
<a href="#">SCE-72XR7818</a>	72.00	77.75	18.00	IS3	<a href="#">SCE-64P76**</a>	60.00	72.00
<a href="#">SCE-72XR7818G</a>	72.00	77.75	18.00	IS3	<a href="#">SCE-64P76GALV**</a>	60.00	72.00
<a href="#">SCE-84XR7818</a>	84.00	77.75	18.00	IS3	<a href="#">SCE-76P76**</a>	72.00	72.00
<a href="#">SCE-84XR7818G</a>	84.00	77.75	18.00	IS3	<a href="#">SCE-76P76GALV**</a>	72.00	72.00
<a href="#">SCE-90XR7818</a>	90.00	77.75	18.00	IS3	<a href="#">SCE-82P76**</a>	78.00	72.00
<a href="#">SCE-90XR7818G</a>	90.00	77.75	18.00	IS3	<a href="#">SCE-82P76GALV**</a>	78.00	72.00

## THREE-DOOR ENCLOSURES

Enclosure Product Code A2					Sub-Panel (P3)		
Catalog No.	Height (A)	Width (B)	Depth (C)	Industry Standard	Catalog No.	Panel Height (D)	Panel Width (E)
<a href="#">SCE-72XR3EQ18</a>	72.00	99.50	18.00	IS4	<a href="#">SCE-64P31**</a>	60.00	27.75
					<a href="#">SCE-64P64**</a>	60.00	60.00
<a href="#">SCE-72XR3EQ18G</a>	72.00	99.50	18.00	IS4	<a href="#">SCE-64P31GALV**</a>	60.00	27.75
					<a href="#">SCE-64P64GALV**</a>	60.00	60.00
<a href="#">SCE-72XR3EW18</a>	72.00	117.50	18.00	IS3	<a href="#">SCE-76P37**</a>	72.00	33.75
					<a href="#">SCE-64P76**</a>	60.00	72.00
<a href="#">SCE-72XR3EW18G</a>	72.00	117.50	18.00	IS3	<a href="#">SCE-76P37GALV**</a>	72.00	33.75
					<a href="#">SCE-64P76GALV**</a>	60.00	72.00
<a href="#">SCE-84XR3EW18</a>	84.00	117.50	18.00	IS3	<a href="#">SCE-76P37**</a>	72.00	33.75
					<a href="#">SCE-76P76**</a>	72.00	72.00
<a href="#">SCE-84XR3EW18G</a>	84.00	117.50	18.00	IS3	<a href="#">SCE-76P37GALV**</a>	72.00	33.75
					<a href="#">SCE-76P76GALV**</a>	72.00	72.00

Part numbers ending in "G" have galvanized sub-panels installed.

\*\*Sub-panel included with enclosure. Replacement sub-panels can be ordered.

\*\*Special Instructions apply for IS3, IS4 and IS6 to maintain the environmental rating of Type 3R for these parts. See the Special Instructions or the Industry Standards page in the Technical Section.

# XR HEAVY DUTY FREE-STANDING ENCLOSURES WITH EXTERNAL ENCLOSURE FOR ROTARY DISCONNECT

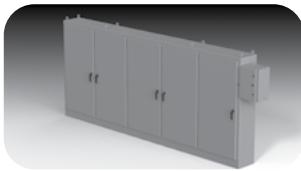
## FOUR-DOOR ENCLOSURES

Enclosure Product Code A2					Sub-Panel (P3)		
Catalog No.	Height (A)	Width (B)	Depth (C)	Industry Standard	Catalog No.	Panel Height (D)	Panel Width (E)
<a href="#">SCE-84XR4EW18</a>	84.00	157.50	18.00	IS3	<a href="#">SCE-76P76**</a> (2)	72.00	72.00
<a href="#">SCE-84XR4EW18G</a>	84.00	157.50	18.00	IS3	<a href="#">SCE-76P76GALV**</a> (2)	72.00	72.00
<a href="#">SCE-90XR4EW18</a>	90.00	157.50	18.00	IS3	<a href="#">SCE-82P76**</a> (2)	78.00	72.00
<a href="#">SCE-90XR4EW18G</a>	90.00	157.50	18.00	IS3	<a href="#">SCE-82P76GALV**</a> (2)	78.00	72.00



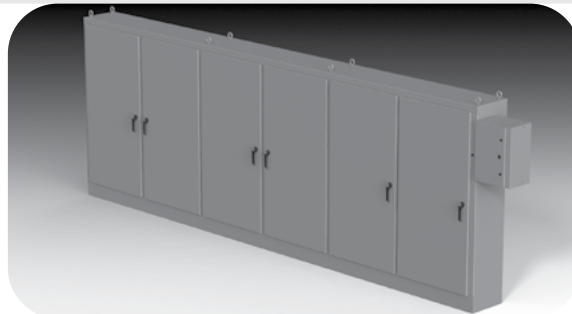
## FIVE-DOOR ENCLOSURES

Enclosure Product Code A2					Sub-Panel (P3)		
Catalog No.	Height (A)	Width (B)	Depth (C)	Industry Standard	Catalog No.	Panel Height (D)	Panel Width (E)
<a href="#">SCE-84XR5EW18</a>	84.00	196.75	18.00	IS3	<a href="#">SCE-76P76**</a> (2)	72.00	72.00
					<a href="#">SCE-76P37**</a>	72.00	33.75
<a href="#">SCE-84XR5EW18G</a>	84.00	196.75	18.00	IS3	<a href="#">SCE-76P76GALV**</a> (2)	72.00	72.00
					<a href="#">SCE-76P37GALV**</a>	72.00	33.75
<a href="#">SCE-90XR5EW18</a>	90.00	196.75	18.00	IS3	<a href="#">SCE-82P76**</a> (2)	78.00	72.00
					<a href="#">SCE-82P37**</a>	78.00	33.75
<a href="#">SCE-90XR5EW18G</a>	90.00	196.75	18.00	IS3	<a href="#">SCE-82P76GALV**</a> (2)	78.00	72.00
					<a href="#">SCE-82P37GALV**</a>	78.00	33.75



## SIX-DOOR ENCLOSURES

Enclosure Product Code A2					Sub-Panel (P3)		
Catalog No.	Height (A)	Width (B)	Depth (C)	Industry Standard	Catalog No.	Panel Height (D)	Panel Width (E)
<a href="#">SCE-84XR6EW18</a>	84.00	235.00	18.00	IS3	<a href="#">SCE-76P76**</a> (3)	72.00	72.00
<a href="#">SCE-84XR6EW18G</a>	84.00	235.00	18.00	IS3	<a href="#">SCE-76P76GALV**</a> (3)	72.00	72.00
<a href="#">SCE-90XR6EW18</a>	90.00	235.00	18.00	IS3	<a href="#">SCE-82P76**</a> (3)	78.00	72.00
<a href="#">SCE-90XR6EW18G</a>	90.00	235.00	18.00	IS3	<a href="#">SCE-82P76GALV**</a> (3)	78.00	72.00



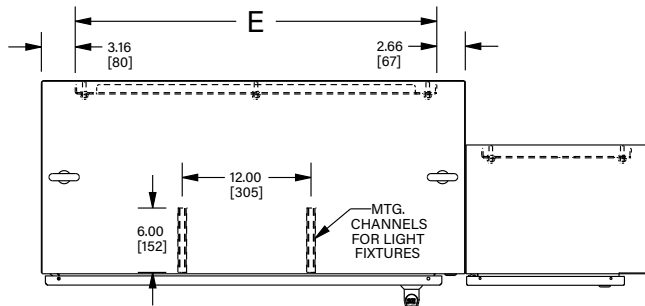
**NOTE:** Main door mechanically interlocked to the External Disconnect such that the main enclosure door must be closed and door handle engaged in order to turn disconnect on. Once the main enclosure is closed and disconnect is turned on, the main enclosure is automatically locked when disconnect is turned on, and unlocked when disconnect is turned off. A defeater mechanism on the flange of the main enclosure allows entry with power on by deliberate means.

Patent Pending 16/282,485

# XR HEAVY DUTY FREE-STANDING ENCLOSURES WITH EXTERNAL ENCLOSURE FOR ROTARY DISCONNECT

## TECHNICAL DATA

### SINGLE-DOOR ENCLOSURES

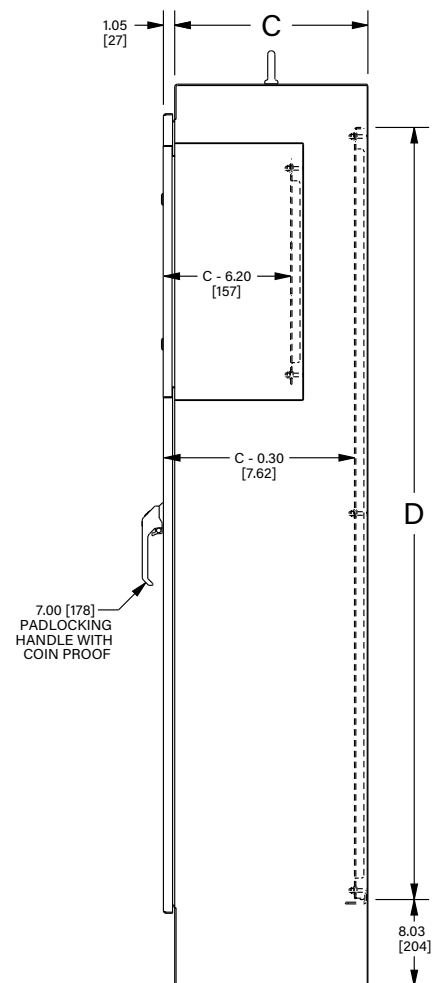
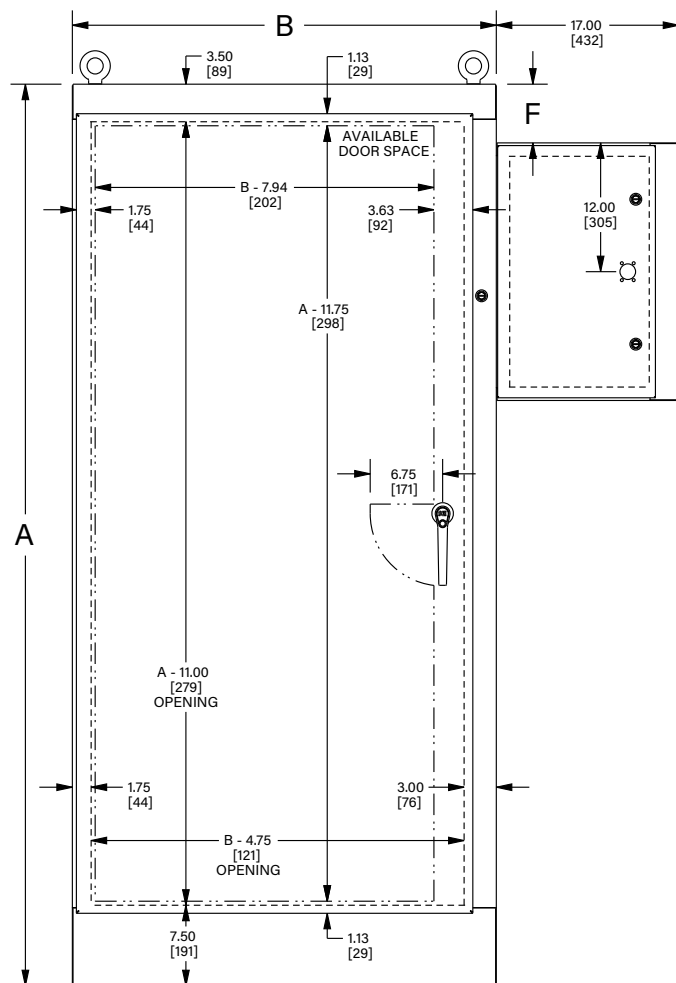


#### STANDARD DISCONNECTS:

F = 0.00 [0] when A = 72.00 [1829]

F = 5.47 [139] when A = 84.00 [2134]

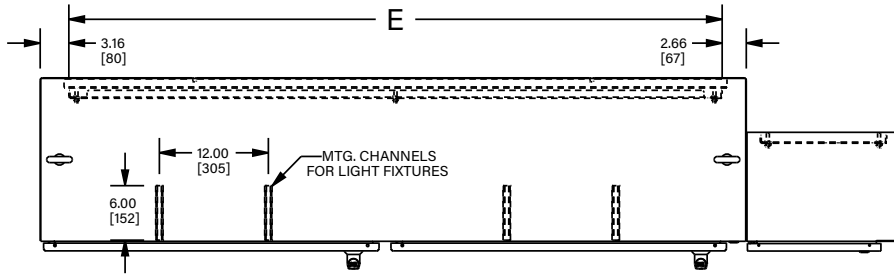
F = 8.47 [215] when A = 90.00 [2286]



# XR HEAVY DUTY FREE-STANDING ENCLOSURES WITH EXTERNAL ENCLOSURE FOR ROTARY DISCONNECT

## TECHNICAL DATA

### TWO-DOOR ENCLOSURES

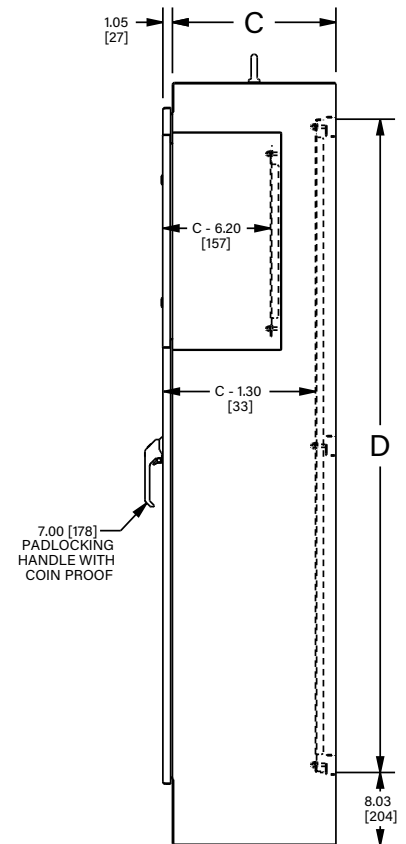
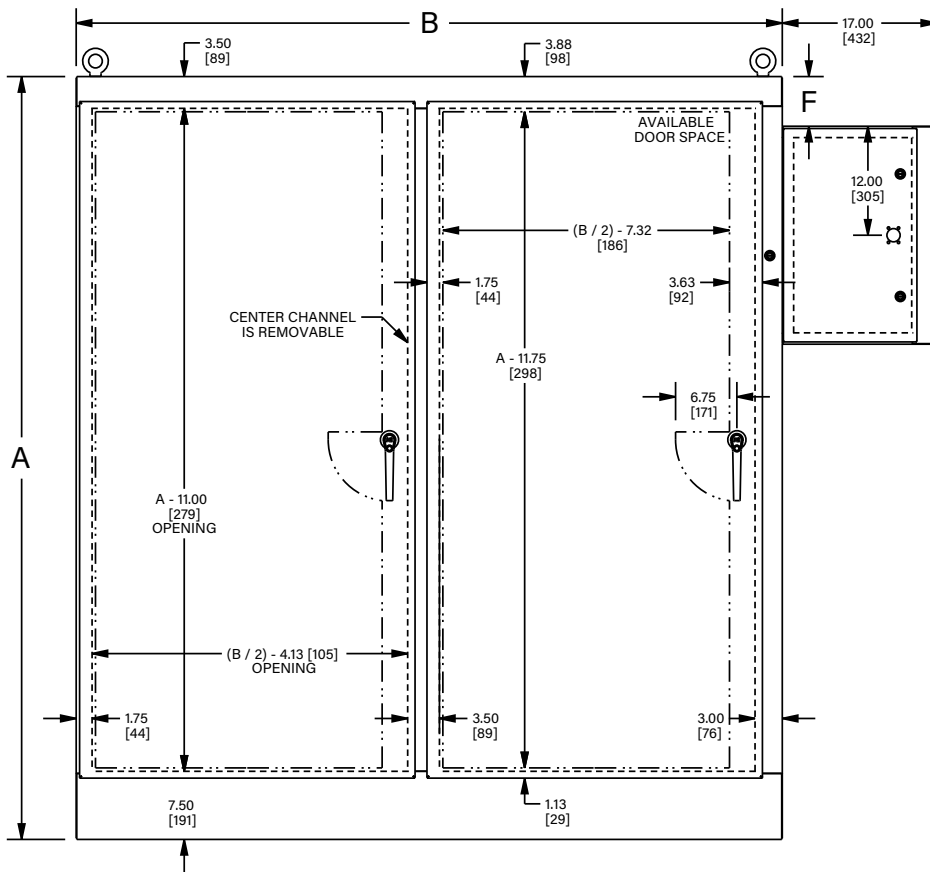


**STANDARD DISCONNECTS:**

F = 0.00 [0] when A = 72.00 [1829]

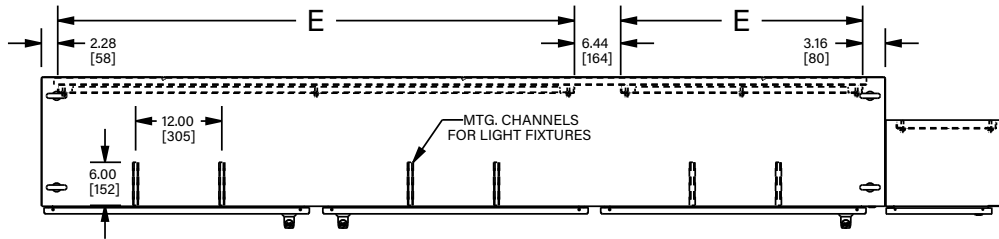
F = 5.47 [139] when A = 84.00 [2134]

F = 8.47 [215] when A = 90.00 [2286]



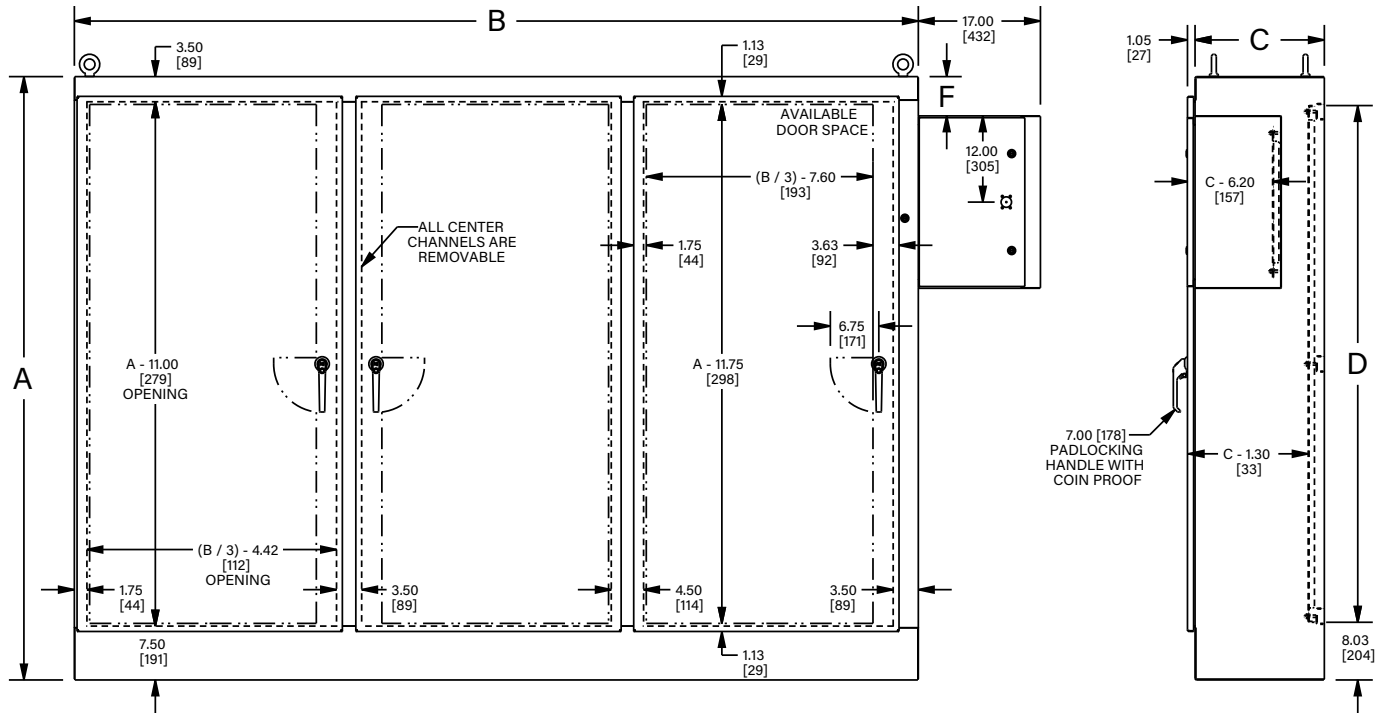
# XR HEAVY DUTY FREE-STANDING ENCLOSURES WITH EXTERNAL ENCLOSURE FOR ROTARY DISCONNECT TECHNICAL DATA

## THREE-DOOR ENCLOSURES



**STANDARD DISCONNECTS:**

- F = 0.00 [0] when A = 72.00 [1829]
- F = 5.47 [139] when A = 84.00 [2134]
- F = 8.47 [215] when A = 90.00 [2286]

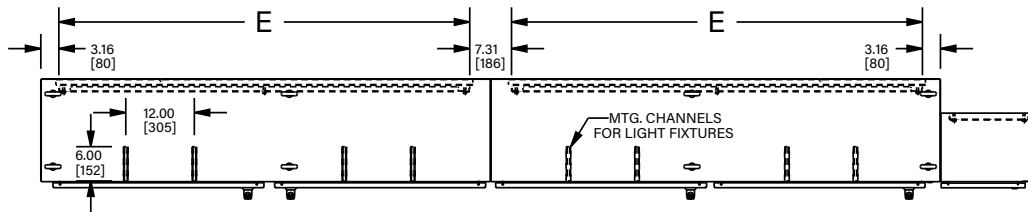




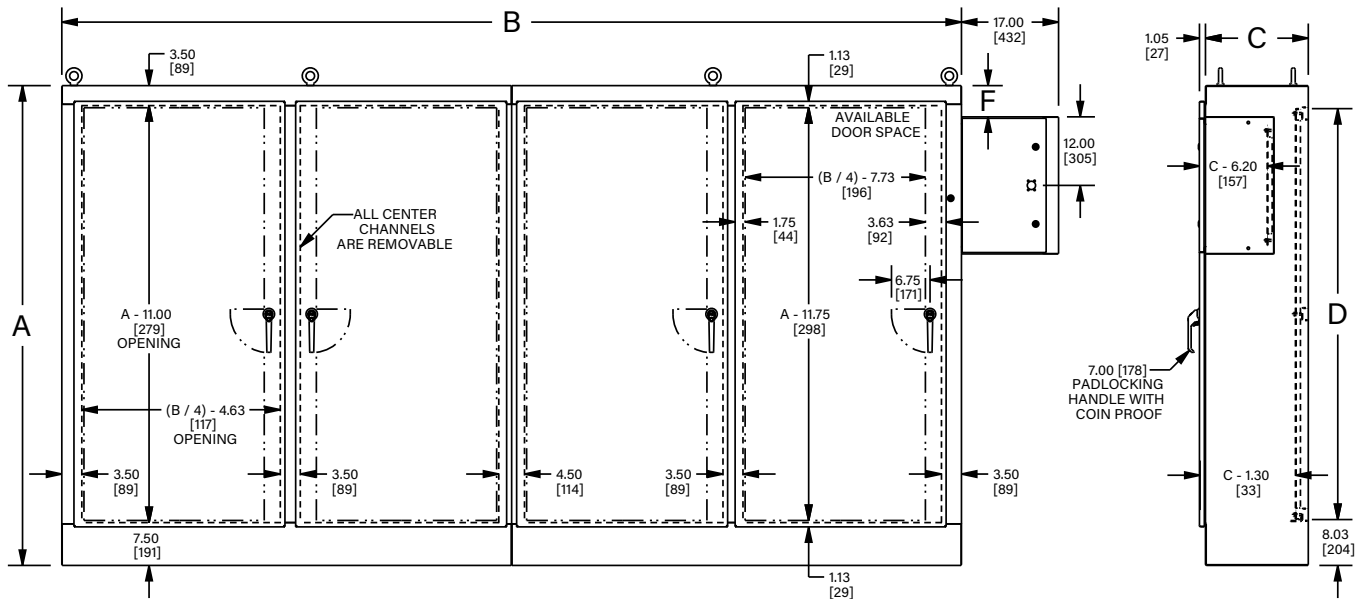
# XR HEAVY DUTY FREE-STANDING ENCLOSURES WITH EXTERNAL ENCLOSURE FOR ROTARY DISCONNECT

## TECHNICAL DATA

### FOUR-DOOR ENCLOSURES



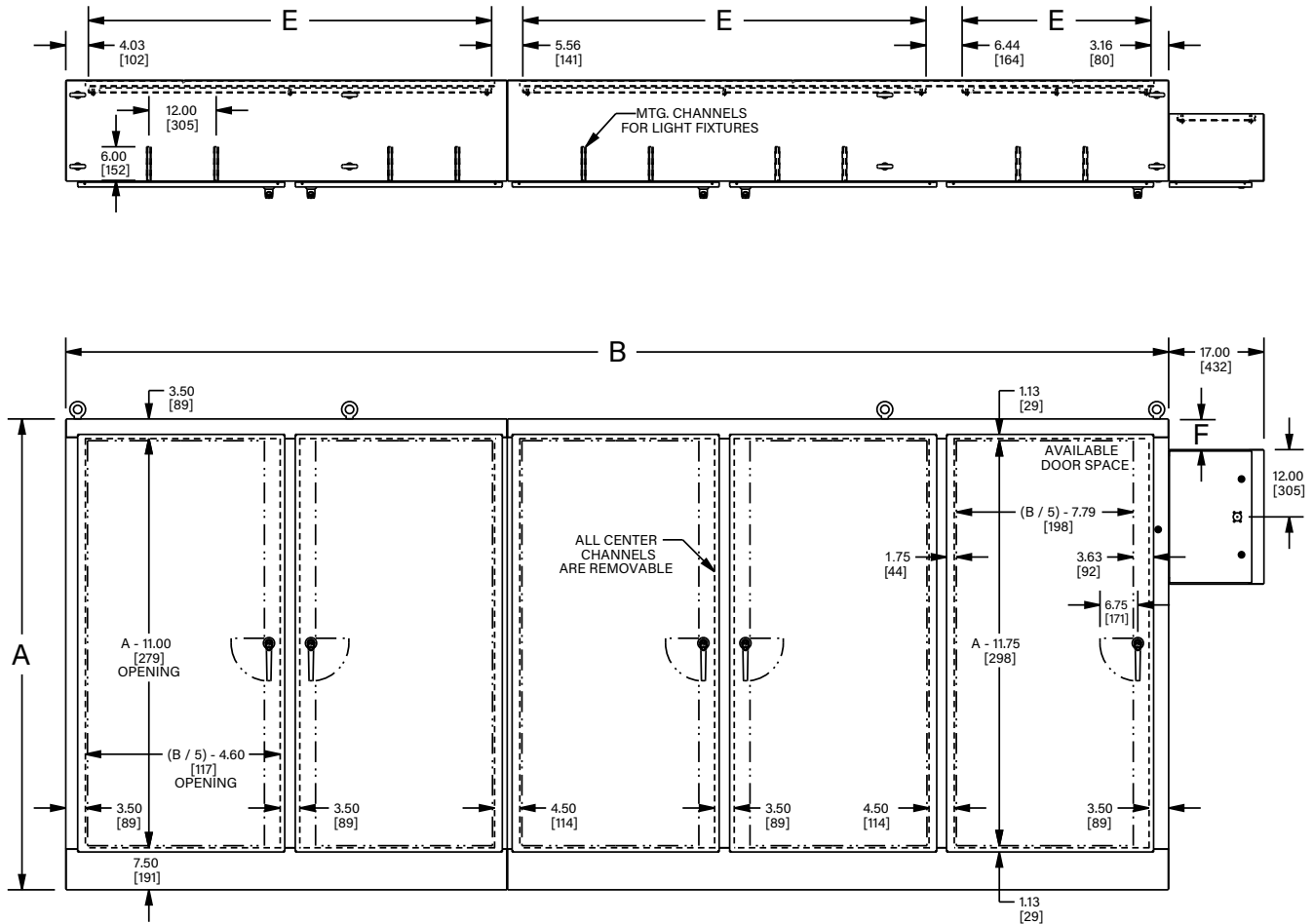
STANDARD DISCONNECTS:  
 F = 0.00 [0] when A = 72.00 [1829]  
 F = 5.47 [139] when A = 84.00 [2134]  
 F = 8.47 [215] when A = 90.00 [2286]



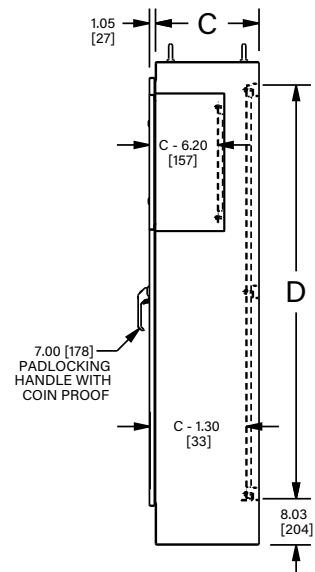
# XR HEAVY DUTY FREE-STANDING ENCLOSURES WITH EXTERNAL ENCLOSURE FOR ROTARY DISCONNECT

## TECHNICAL DATA

### FIVE-DOOR ENCLOSURES

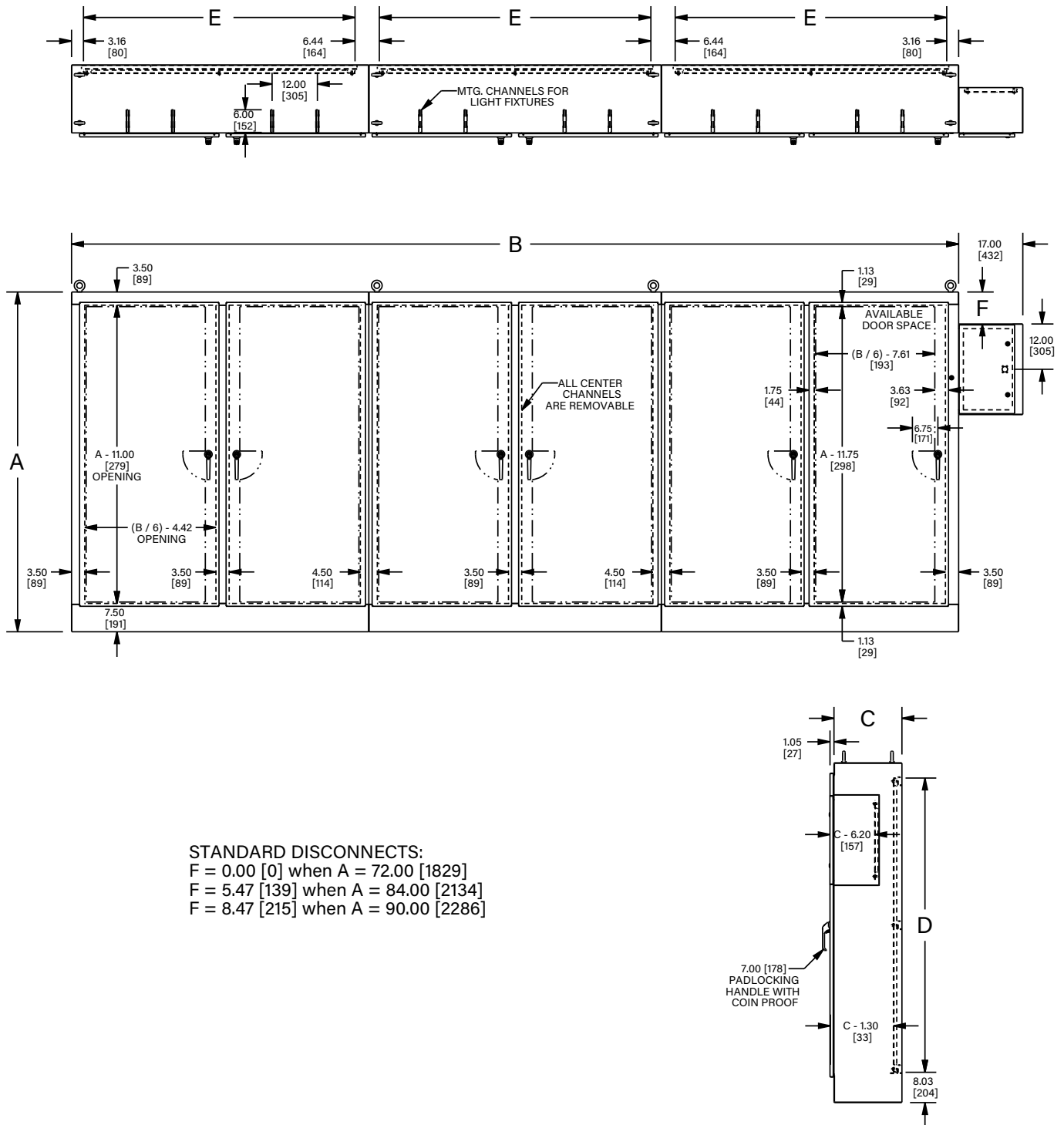


STANDARD DISCONNECTS:  
 F = 0.00 [0] when A = 72.00 [1829]  
 F = 5.47 [139] when A = 84.00 [2134]  
 F = 8.47 [215] when A = 90.00 [2286]



# XR HEAVY DUTY FREE-STANDING ENCLOSURES WITH EXTERNAL ENCLOSURE FOR ROTARY DISCONNECT TECHNICAL DATA

## SIX-DOOR ENCLOSURES



STANDARD DISCONNECTS:  
 $F = 0.00$  [0] when  $A = 72.00$  [1829]  
 $F = 5.47$  [139] when  $A = 84.00$  [2134]  
 $F = 8.47$  [215] when  $A = 90.00$  [2286]



*Your Enclosure Source*®

# NOTES



*Your Enclosure Source*®

# NOTES

# MODULAR ENCLOSURES

4 modular enclosures



190

192-197

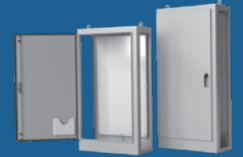
MODULAR SINGLE-DOOR ENCLOSURES FOR FLANGE-MOUNTED DISCONNECTS



MODULAR TWO-DOOR ENCLOSURES FOR FLANGE-MOUNTED DISCONNECTS



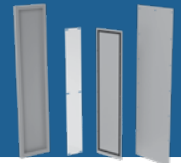
MODULAR SINGLE-DOOR ENCLOSURES



MODULAR TWO-DOOR ENCLOSURES



MODULAR ENCLOSURE ACCESSORIES



198-199



200-201



202-203



204-205



206-217



# MODULAR ENCLOSURES FOR FLANGE-MOUNTED DISCONNECTS

## SINGLE-DOOR DISCONNECT ENCLOSURE LEFT SIDE OPEN

Enclosure Product Code A2

Sub-Panel (P3)

Catalog No.	Height (A)	Width (B)	Depth (C)	Industry Standard	Catalog No.	Panel Height (D)	Panel Width (E)
<a href="#">SCE-MOD72X4018</a>	72.00	40.00	18.00	IS3	SCE-64P37*	60.00	33.75
<a href="#">SCE-MOD72X4018G</a>	72.00	40.00	18.00	IS3	SCE-64P37GALV*	60.00	33.75
<a href="#">SCE-MOD84X4018</a>	84.00	40.00	18.00	IS3	SCE-76P37*	72.00	33.75
<a href="#">SCE-MOD84X4018G</a>	84.00	40.00	18.00	IS3	SCE-76P37GALV*	72.00	33.75
<a href="#">SCE-MOD84X4024</a>	84.00	40.00	24.00	IS3	SCE-76P37*	72.00	33.75
<a href="#">SCE-MOD84X4024G</a>	84.00	40.00	24.00	IS3	SCE-76P37GALV*	72.00	33.75

## TWO-DOOR DISCONNECT ENCLOSURE LEFT SIDE OPEN

Enclosure Product Code A2

Sub-Panel (P3)

Catalog No.	Height (A)	Width (B)	Depth (C)	Industry Standard	Catalog No.	Panel Height (D)	Panel Width (E)
<a href="#">SCE-MOD72X7818</a>	72.00	78.00	18.00	IS3	SCE-64P76*	60.00	72.00
<a href="#">SCE-MOD72X7818G</a>	72.00	78.00	18.00	IS3	SCE-64P76GALV*	60.00	72.00
<a href="#">SCE-MOD84X7818</a>	84.00	78.00	18.00	IS3	SCE-76P76*	72.00	72.00
<a href="#">SCE-MOD84X7818G</a>	84.00	78.00	18.00	IS3	SCE-76P76GALV*	72.00	72.00
<a href="#">SCE-MOD84X7824</a>	84.00	78.00	24.00	IS3	SCE-76P76*	72.00	72.00
<a href="#">SCE-MOD84X7824G</a>	84.00	78.00	24.00	IS3	SCE-76P76GALV*	72.00	72.00

## SINGLE-DOOR SLAVE ENCLOSURE BOTH SIDES OPEN

Enclosure Product Code A2

Sub-Panel (P3)

Catalog No.	Height (A)	Width (B)	Depth (C)	Industry Standard	Catalog No.	Panel Height (D)	Panel Width (E)
<a href="#">SCE-MOD724018</a>	72.00	40.00	18.00	IS3	SCE-64P37*	60.00	33.75
<a href="#">SCE-MOD724018G</a>	72.00	40.00	18.00	IS3	SCE-64P37GALV*	60.00	33.75
<a href="#">SCE-MOD844018</a>	84.00	40.00	18.00	IS3	SCE-76P37*	72.00	33.75
<a href="#">SCE-MOD844018G</a>	84.00	40.00	18.00	IS3	SCE-76P37GALV*	72.00	33.75
<a href="#">SCE-MOD844024</a>	84.00	40.00	24.00	IS3	SCE-76P37*	72.00	33.75

## TWO-DOOR SLAVE ENCLOSURE BOTH SIDES OPEN

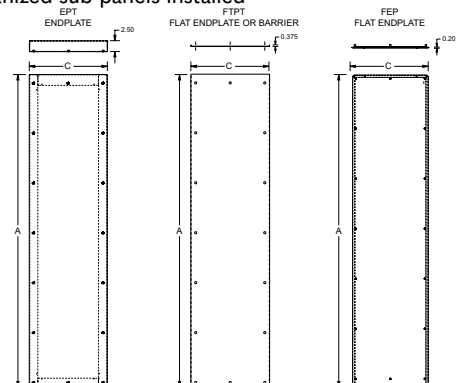
Enclosure Product Code A2

Sub-Panel (P3)

Catalog No.	Height (A)	Width (B)	Depth (C)	Industry Standard	Catalog No.	Panel Height (D)	Panel Width (E)
<a href="#">SCE-MOD727718</a>	72.00	77.00	18.00	IS3	SCE-64P76*	60.00	72.00
<a href="#">SCE-MOD727718G</a>	72.00	77.00	18.00	IS3	SCE-64P76GALV*	60.00	72.00
<a href="#">SCE-MOD847718</a>	84.00	77.00	18.00	IS3	SCE-76P76*	72.00	72.00
<a href="#">SCE-MOD847718G</a>	84.00	77.00	18.00	IS3	SCE-76P76GALV*	72.00	72.00
<a href="#">SCE-MOD847724</a>	84.00	77.00	24.00	IS3	SCE-76P76*	72.00	72.00
<a href="#">SCE-MOD847724G</a>	84.00	77.00	24.00	IS3	SCE-76P76GALV*	72.00	72.00

\*Sub-Panel included with enclosure. Replacement plates can be ordered.

Part numbers ending in "G" have galvanized sub-panels installed



### Application

Can be bolted together in any desired multiple door arrangement for maximum versatility. Slave enclosures can be added or removed as required. Designed to house most standard type disconnects. For installation information, consult our installation manual at [www.saginawcontrol.com](http://www.saginawcontrol.com).

### Construction

- 0.125" carbon steel.
- Seams continuously welded and ground smooth.
- Body stiffeners for extra rigidity.
- Door and side openings are flanged to provide extra strength and smooth edges.
- Flange trough collar around all sides of door opening.
- Heavy duty lifting eyes anchor into reinforced top.
- Concealed hinges.
- Removable and interchangeable doors.
- Black zinc die cast coinproof/padlocking handle on main door of disconnect enclosures. Black zinc die cast padlocking handle on all other doors.
- 3-point latching mechanism.
- Ramp shoes on ends of latch rods for easier door closing.
- Panel supports.
- Large removable print pockets.
- Pour in place oil and water resistant gasket.
- Removable panels mount on collar studs.
- Mechanical interlock standard on each enclosure. Parts required to connect interlock system between adjacent enclosures are provided.
- Hole plugs provided to seal holes in bottom of enclosure.
- Ground stud on door and body
- Provisions for light kit.

### Notes

- Disconnect ordered separately
- SCE-MODGK sold separately, required when bolting one enclosure to another.

### Finish

ANSI-61 gray powder coated inside and out.

### IS3 Industry Standards

NEMA Type 3R, 12 & Type 13

UL Listed Type 3R & 12

CSA Type 3R & 12

IEC 60529 IP55

\*\*\*To maintain Type 3R listing, drainage is required. Install equally rated drainage device or drill a 1/8 to 1/4 inch hole in the bottom center of the enclosure, approximately 1 inch from the right, and 1 inch from the left for drainage, use listed rain-tight or wet location hubs. Drip shield over the door is recommended for all outdoor applications.



# MODULAR ENCLOSURE ACCESSORIES

## END PLATES

Catalog No.	Size	Enclosure Depth	Enclosure Height	Product Code
<a href="#">SCE-MOD72EPT</a>	72.00 x 18.00 x 2.50	18.00	72.00	P2
<a href="#">SCE-MOD84EPT</a>	84.00 x 18.00 x 2.50	18.00	84.00	P2
<a href="#">SCE-MOD8424EPT</a>	84.00 x 24.00 x 2.50	24.00	84.00	P2

Designed to provide a sealed cover for the open end of a modular enclosure. Provides additional wiring space along the side of the enclosure. Gasket and mounting hardware is included. Made of heavy gauge steel and powder coated ANSI-61 gray.

## BARRIER/FLAT END PLATES

Catalog No.	Size	Enclosure Depth	Enclosure Height	Product Code
<a href="#">SCE-MOD72FTPT</a>	72.00 x 18.25 x 0.375	18.00	72.00	P2
<a href="#">SCE-MOD84FTPT</a>	84.00 x 18.25 x 0.375	18.00	84.00	P2
<a href="#">SCE-MOD8424FTPT</a>	84.00 x 24.25 x 0.375	24.00	84.00	P2

Designed to serve as a barrier between two modular enclosure sections. Also can be used to provide a lower profile sealed cover for the open end of a modular enclosure. Mounting holes. Gasket and hardware is included. When using as barrier between two enclosures, a SCE-MODGK is needed. Made of heavy gauge steel and powder coated ANSI-61 gray.

## FLAT END PLATES

Catalog No.	Size	Enclosure Depth	Enclosure Height	Product Code
<a href="#">SCE-MOD72FEP</a>	71.50 x 17.50 x 1.00	18.00	72.00	P2
<a href="#">SCE-MOD84FEP</a>	83.50 x 17.50 x 1.00	18.00	84.00	P2
<a href="#">SCE-MOD8424FEP</a>	83.50 x 23.50 x 1.00	24.00	84.00	P2

Designed to provide a lower profile sealed cover with a finished appearance for the open end of a modular enclosure. Studded for easy installation. Gasket and mounting hardware is included. Made of heavy gauge steel and powder coated ANSI-61 gray.

## GASKET AND BOLT KIT

Catalog No.	Enclosure Depth	Enclosure Height	Product Code
<a href="#">SCE-MODGK</a>	18.00 & 24.00	72.00 & 84.00	P2

Designed to be used as an additional gasket or to replace gasket kits when changing modular enclosure configurations. Includes Pour oil and water resistant gasket and zinc coated nuts and bolts. Required when bolting one enclosure to another.

## REMOVABLE WIRE COVER

Catalog No.	Size	Enclosure Depth	Product Code
<a href="#">SCE-14RMW</a>	6.00 x 35.00 x 14.00	18.00	P2
<a href="#">SCE-20RMW</a>	6.00 x 35.00 x 20.00	24.00	P2

Designed to cover the wires in the bottom of the enclosure. One wire cover required per door. Made of heavy gauge steel and powder coated white.

## FILLER PLATES

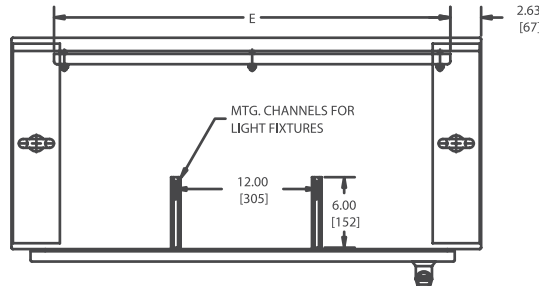
Catalog No.	Size	Enclosure Depth	Product Code
<a href="#">SCE-72FP</a>	60.00 x 9.38 x 0.125	72.00	P3
<a href="#">SCE-84FP</a>	72.00 x 9.38 x 0.125	84.00	P3
<a href="#">SCE-90FP</a>	78.00 x 9.38 x 0.125	90.00	P3

Designed to provide additional mounting surface between sub-panels or sections of a modular enclosure. Slotted mounting holes allow flexible installation. Made of heavy gauge steel. Panels are powder coated white.

# MODULAR ENCLOSURES

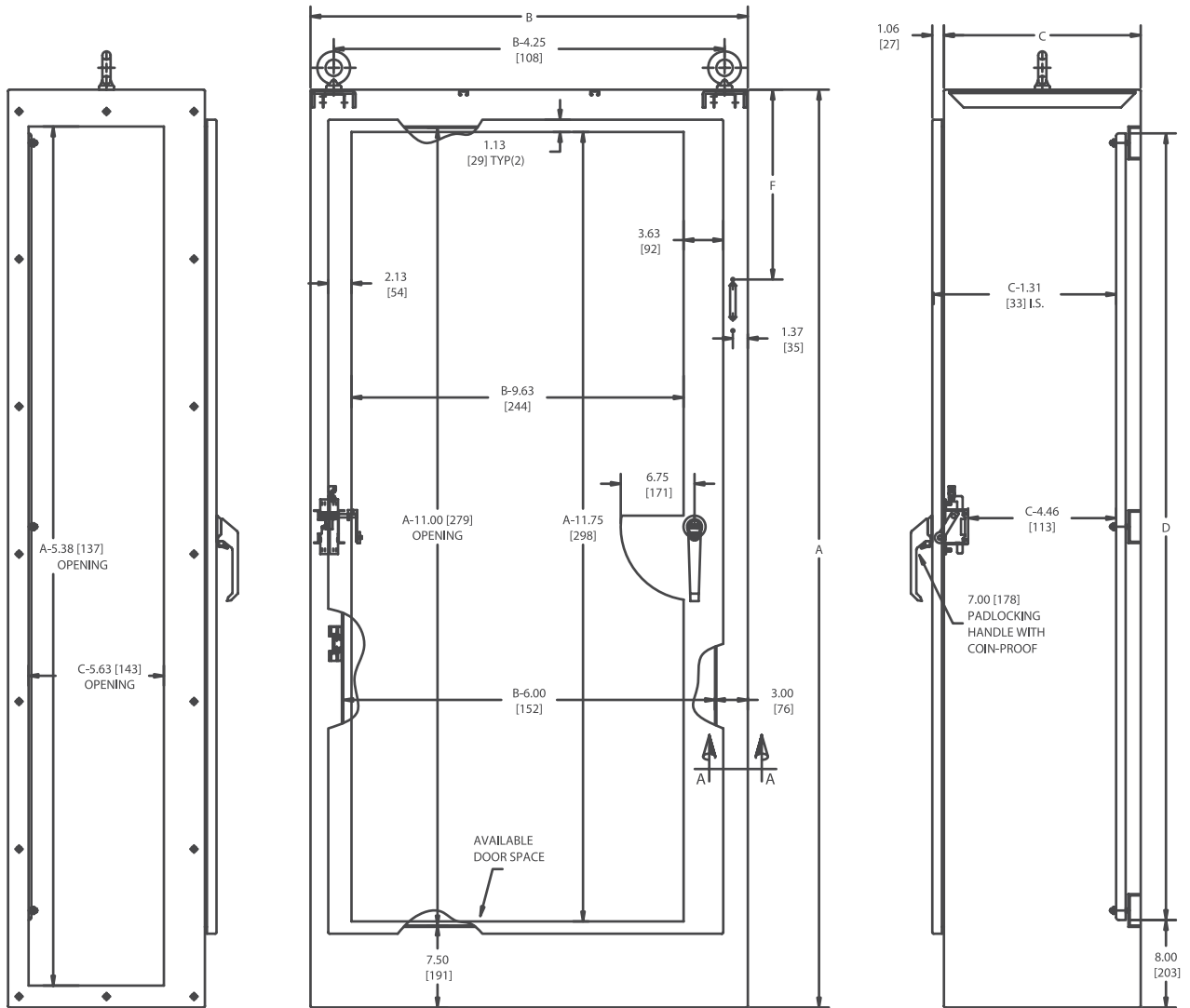
## TECHNICAL DATA

### SINGLE-DOOR MODULAR DISCONNECT ENCLOSURE LEFT SIDE OPEN

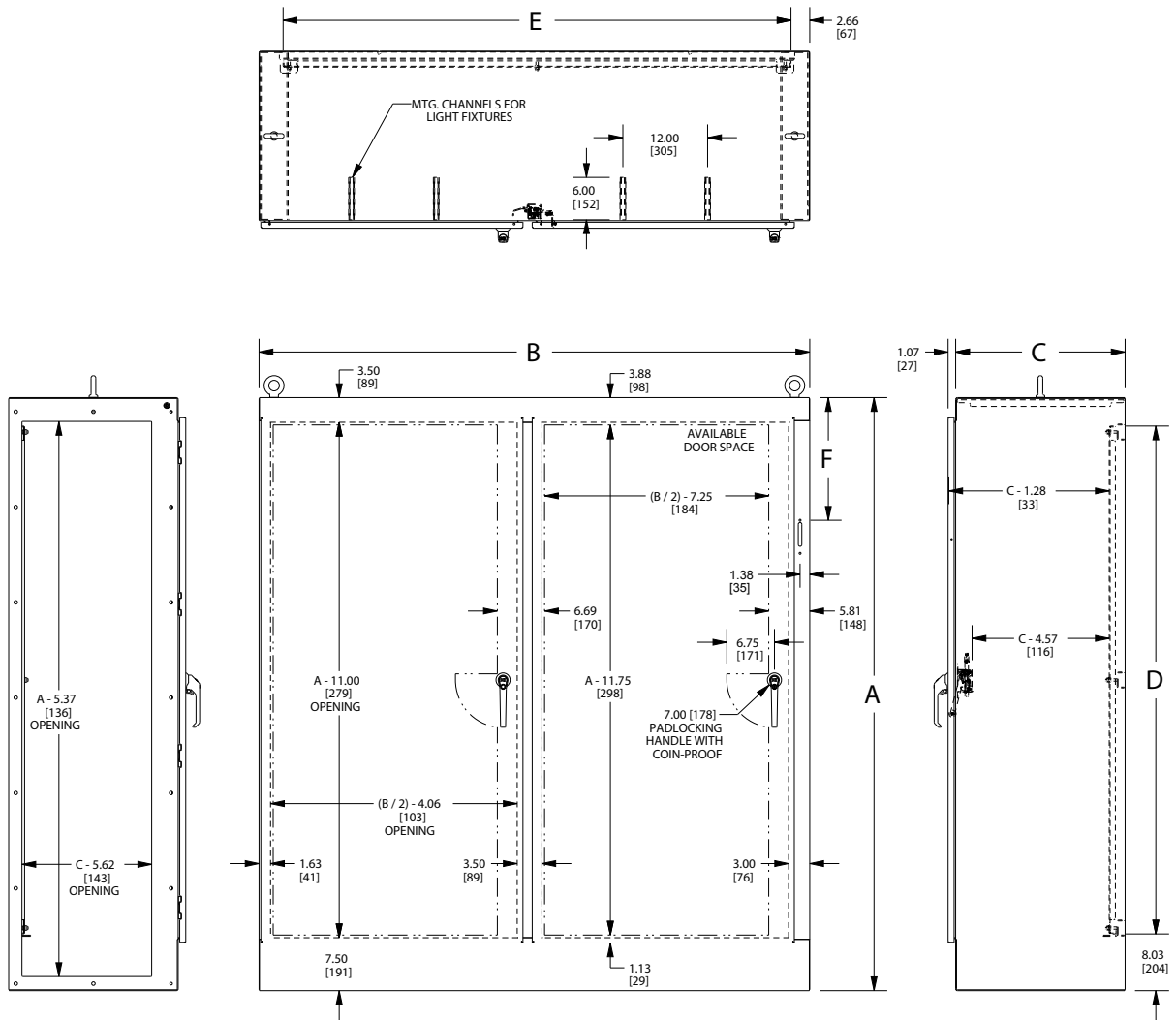


SECTION A-A

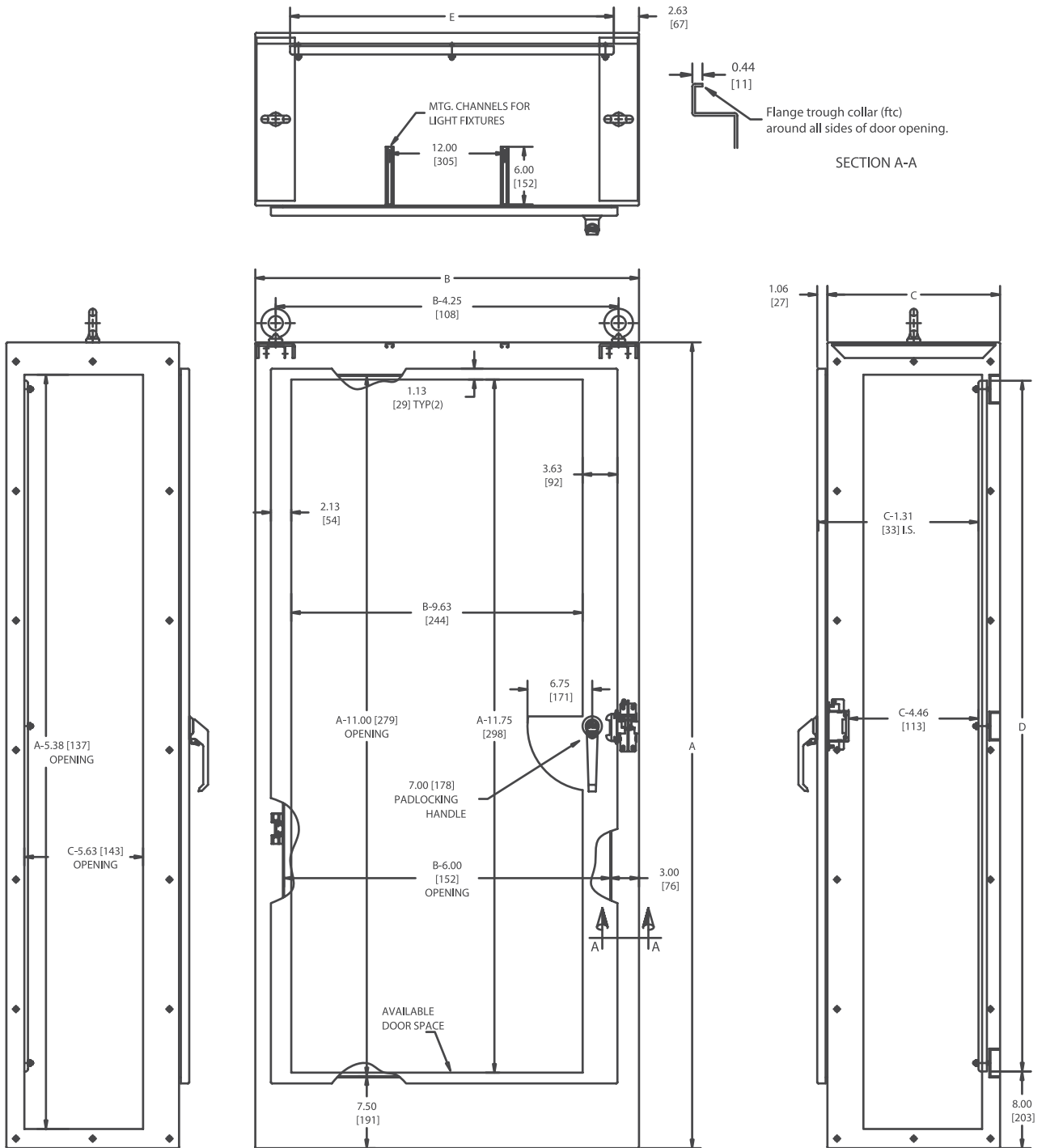
F=11.88 [302] WHEN A=72.00 [1829]  
F=17.38 [441] WHEN A=84.00 [2134]



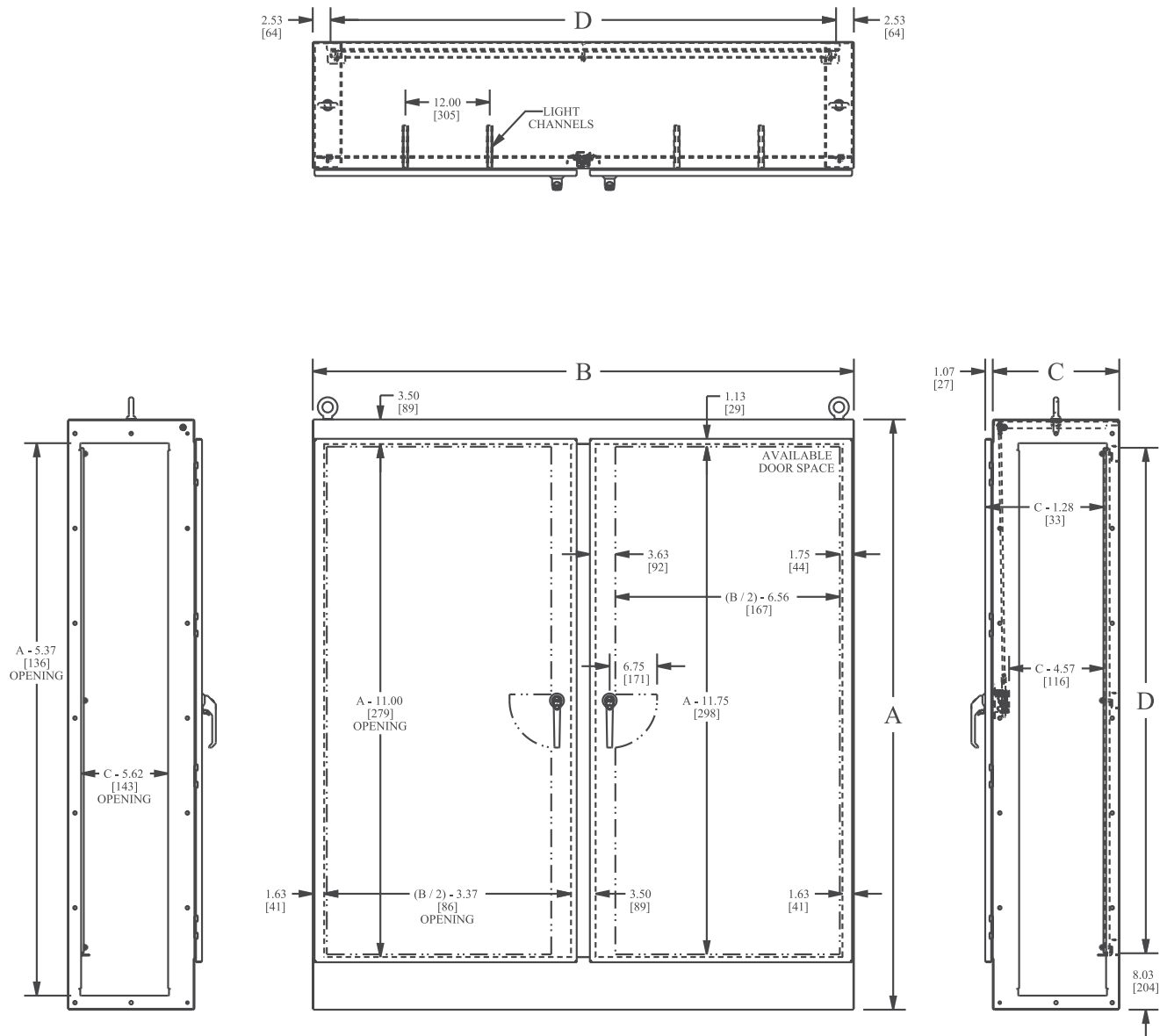
### TWO-DOOR MODULAR ENCLOSURE WITH DISCONNECT LEFT SIDE OPEN



### SINGLE-DOOR SLAVE ENCLOSURE BOTH SIDES OPEN



### TWO-DOOR SLAVE ENCLOSURE BOTH SIDES OPEN



# (IMS) INDUSTRIAL MODULAR SYSTEM SINGLE-DOOR ENCLOSURES

## Application

Can be bolted together in any desired multiple door arrangement.

Designed to house electrical equipment and provide degree of protection from dust, dirt, water and oil. For installation information, consult our installation manual at [www.saginawcontrol.com](http://www.saginawcontrol.com).

## Construction

- 0.104" carbon steel.
- Seams continuously welded and ground smooth.
- Flange trough collar around all sides of door opening.
- Heavy duty lifting eyes anchor into reinforced top.
- Body stiffeners in large enclosures for extra rigidity.
- Mounting holes provided in bottom of enclosure for installing plinth base or securing to the floor.
- Concealed hinges.
- Removable and interchangeable doors.
- Black zinc die cast padlocking swing handle.
- 3-point latching mechanism.
- Mounting channels provided in top and bottom of enclosure.
- Pour in place oil and water resistant gasket.
- Enclosures are provided with provisions for mechanical interlock system expansion.
- Ground stud on door and body.
- Gland plate provided in bottom of enclosure.

Accessories - See page 206-216

## Notes

SCE-IMSBK sold separately, required when bolting one enclosure to another.

## Finish

RAL 7035 powder coated finish.

## IS3 Industry Standards

NEMA Type 3R, 12 & Type 13

UL Listed Type 3R & 12

CSA Type 3R & 12

IEC 60529 IP55

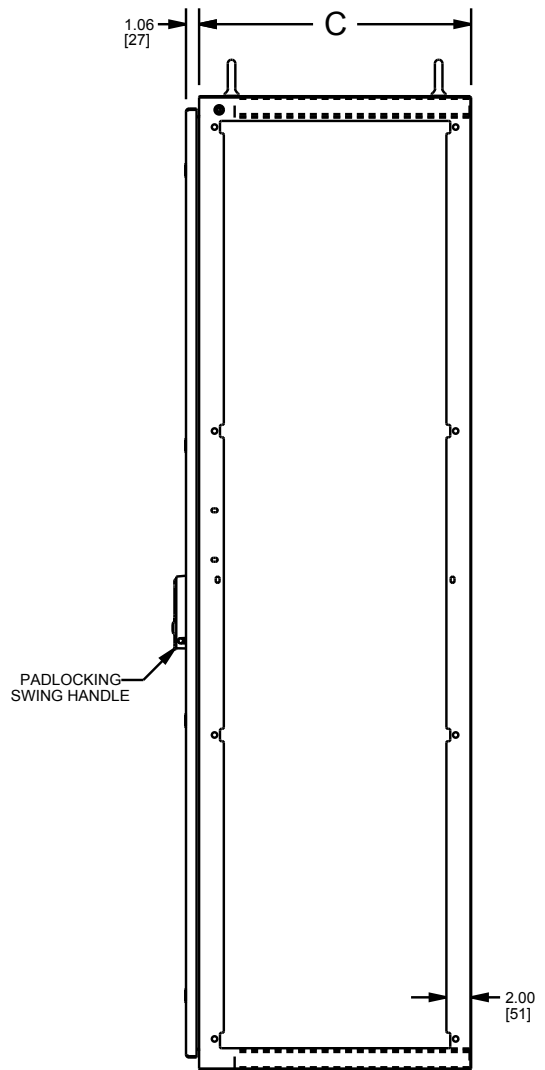
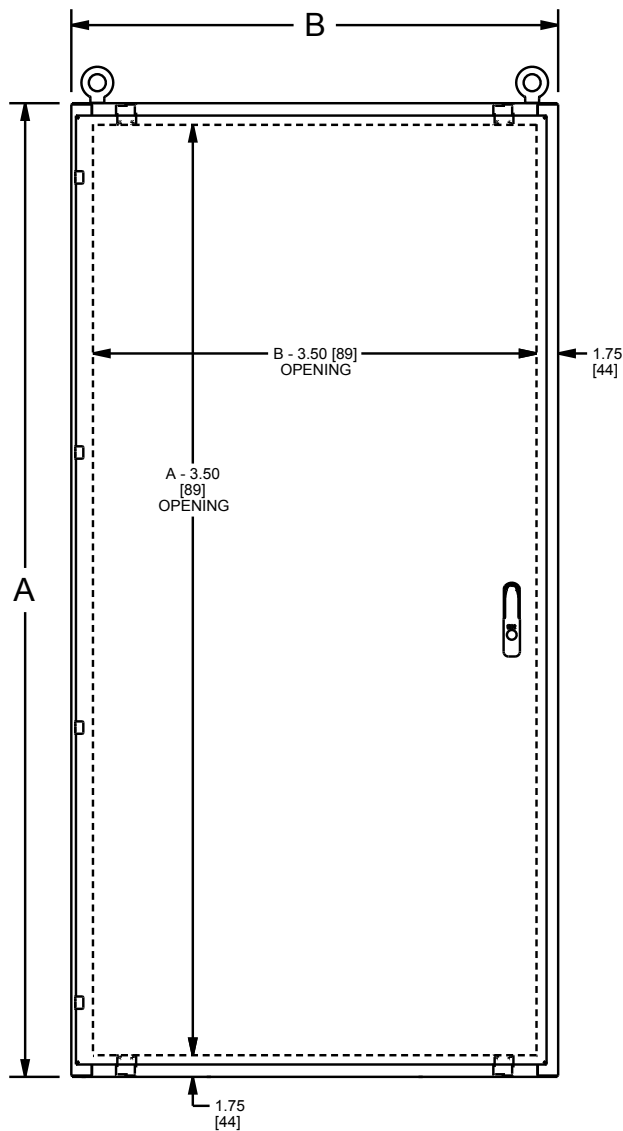
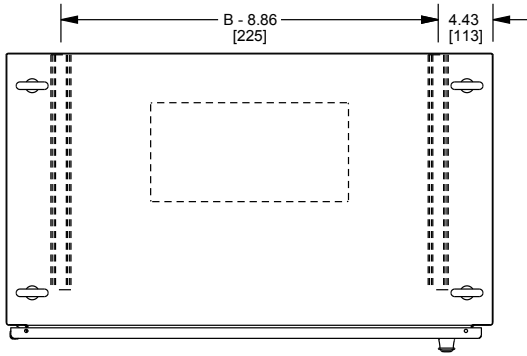
\*\*\*To maintain Type 3R listing, drainage is required. Install equally rated drainage device or drill a 1/8 to 1/4 inch hole in the bottom center of the enclosure, approximately 1 inch from the right, and 1 inch from the left for drainage, use listed rain-tight or wet location hubs. Drip shield over the door is recommended for all outdoor applications.

Enclosure Product Code I1

Catalog No.	Height (A)	Ref. mm Height (A)	Width (B)	Ref. mm Width (B)	Depth (C)	Ref. mm Depth (C)	Industry Standard
<a href="#">SCE-S180605LG</a>	70.87	1800	23.62	600	18.00	500	IS3
<a href="#">SCE-S180606LG</a>	70.87	1800	23.62	600	22.00	600	IS3
<a href="#">SCE-S180805LG</a>	70.87	1800	31.5	800	18.00	500	IS3
<a href="#">SCE-S180806LG</a>	70.87	1800	31.5	800	22.00	600	IS3
<a href="#">SCE-S181005LG</a>	70.87	1800	39.37	1000	18.00	500	IS3
<a href="#">SCE-S181006LG</a>	70.87	1800	39.37	1000	22.00	600	IS3
<a href="#">SCE-S200605LG</a>	78.74	2000	23.62	600	18.00	500	IS3
<a href="#">SCE-S200606LG</a>	78.74	2000	23.62	600	22.00	600	IS3
<a href="#">SCE-S200805LG</a>	78.74	2000	31.5	800	18.00	500	IS3
<a href="#">SCE-S200806LG</a>	78.74	2000	31.5	800	22.00	600	IS3
<a href="#">SCE-S201005LG</a>	78.74	2000	39.37	1000	18.00	500	IS3
<a href="#">SCE-S201006LG</a>	78.74	2000	39.37	1000	22.00	600	IS3



# (IMS) INDUSTRIAL MODULAR SYSTEM SINGLE-DOOR ENCLOSURES TECHNICAL DATA



OPEN BOTH SIDES

# (IMS) INDUSTRIAL MODULAR SYSTEM TWO-DOOR ENCLOSURES

## Application

Can be bolted together in any desired multiple door arrangement.

Designed to house electrical equipment and provide degree of protection from dust, dirt, water and oil. For installation information, consult our installation manual at [www.saginawcontrol.com](http://www.saginawcontrol.com).

## Construction

- 0.104" carbon steel.
- Seams continuously welded and ground smooth.
- Flange trough collar around all sides of door opening.
- Overlapping doors.
- Heavy duty lifting eyes anchor into reinforced top.
- Body stiffeners in large enclosures for extra rigidity.
- Mounting holes provided in bottom of enclosure for installing plinth base or securing to the floor.
- Concealed hinges.
- Removable and interchangeable doors.
- Black zinc die cast padlocking swing handle.
- 3-point latching mechanism.
- Mounting channels provided in top and bottom of enclosure.
- Pour in place oil and water resistant gasket.
- Enclosures are provided with provisions for mechanical interlock system expansion.
- Ground stud on door and body.
- Gland plates provided in bottom of enclosure.

Accessories - See page 206-216

## Notes

SCE-IMSBK sold separately, required when bolting one enclosure to another.

## Finish

RAL 7035 powder coated finish.

## IS3 Industry Standards

NEMA Type 3R, 12 & Type 13

UL Listed Type 3R & 12

CSA Type 3R & 12

IEC 60529 IP55

\*\*\*To maintain Type 3R listing, drainage is required. Install equally rated drainage device or drill a 1/8 to 1/4 inch hole in the bottom center of the enclosure, approximately 1 inch from the right, and 1 inch from the left for drainage, use listed rain-tight or wet location hubs. Drip shield over the door is recommended for all outdoor applications.

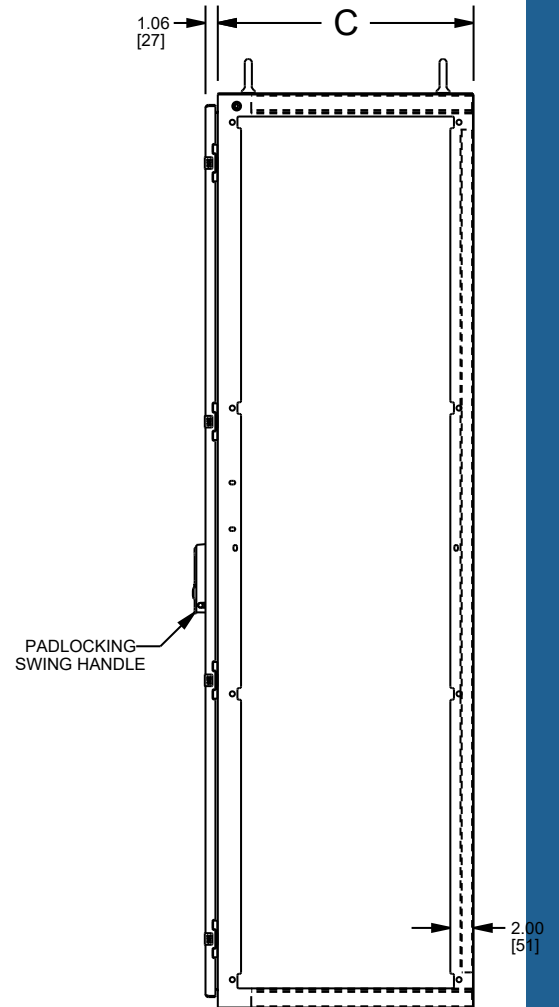
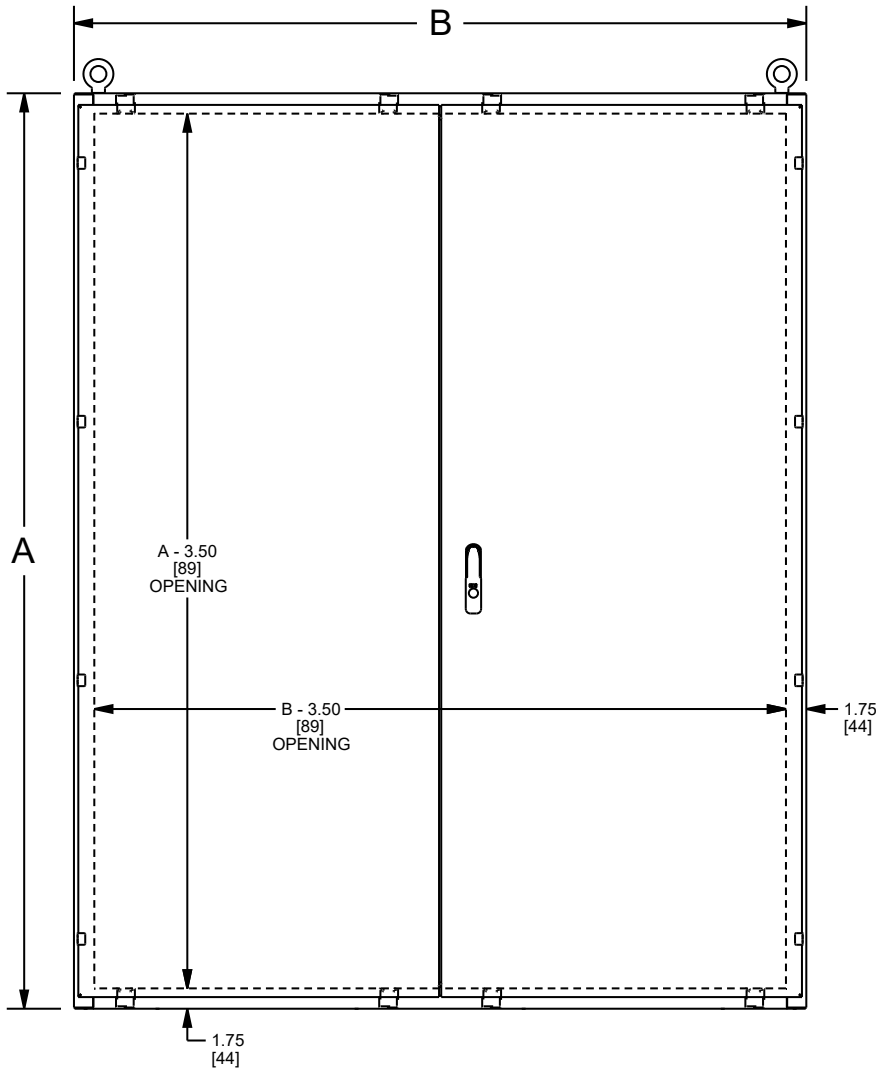
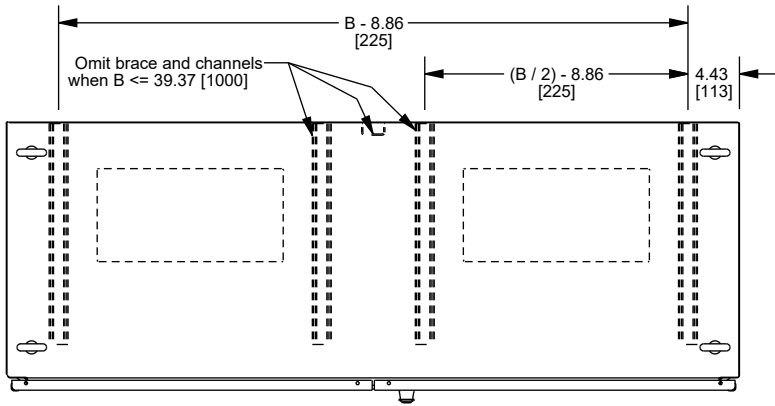
Enclosure Product Code I1

Catalog No.	Height (A)	Ref. mm Height (A)	Width (B)	Ref. mm Width (B)	Depth (C)	Ref. mm Depth (C)	Industry Standard
<a href="#">SCE-T181205LG</a>	70.87	1800	47.24	1200	18.00	500	IS3
<a href="#">SCE-T181206LG</a>	70.87	1800	47.24	1200	22.00	600	IS3
<a href="#">SCE-T181605LG</a>	70.87	1800	62.99	1600	18.00	500	IS3
<a href="#">SCE-T181606LG</a>	70.87	1800	62.99	1600	22.00	600	IS3
<a href="#">SCE-T201205LG</a>	78.74	2000	47.24	1200	18.00	500	IS3
<a href="#">SCE-T201206LG</a>	78.74	2000	47.24	1200	22.00	600	IS3
<a href="#">SCE-T201605LG</a>	78.74	2000	62.99	1600	18.00	500	IS3
<a href="#">SCE-T201606LG</a>	78.74	2000	62.99	1600	22.00	600	IS3





# (IMS) INDUSTRIAL MODULAR SYSTEM TWO-DOOR ENCLOSURES TECHNICAL DATA



# (IMS) INDUSTRIAL MODULAR SYSTEM SINGLE-DOOR ENCLOSURE WITH SLAVE DOOR DISCONNECT

## Application

Can be bolted together in any desired multiple door arrangement. Designed to house electrical equipment and most standard type disconnects and circuit breakers, and provide degree of protection from dust, dirt, water and oil. For installation information, consult our installation manual at [www.saginawcontrol.com](http://www.saginawcontrol.com).

## Construction

- 0.104" carbon steel.
- Seams continuously welded and ground smooth.
- Flange trough collar around all sides of door opening.
- Heavy duty lifting eyes anchor into reinforced top.
- Body stiffeners in large enclosures for extra rigidity.
- Mounting holes provided in bottom of enclosure for installing plinth base or securing to the floor.
- Concealed hinges.
- Removable and interchangeable doors.
- Black zinc die cast coinproof/padlocking swing handle.
- 3-point latching mechanism.
- Large removable print pocket on main door of disconnect enclosures.
- Mounting channels provided in top and bottom of enclosure.
- Pour in place oil and water resistant gasket.
- Enclosures are provided with provisions for mechanical interlock system expansion.
- Ground stud on door and body.
- Gland plates provided in bottom of enclosure.

Accessories - See page 206-216

## Notes

SCE-IMSBK sold separately, required when bolting one enclosure to another.

## Finish

RAL 7035 powder coated finish.

## IS3 Industry Standards

NEMA Type 3R, 12 & Type 13

UL Listed Type 3R & 12

CSA Type 3R & 12

IEC 60529 IP55

\*\*\*To maintain Type 3R listing, drainage is required. Install equally rated drainage device or drill a 1/8 to 1/4 inch hole in the bottom center of the enclosure, approximately 1 inch from the right, and 1 inch from the left for drainage, use listed rain-tight or wet location hubs. Drip shield over the door is recommended for all outdoor applications.

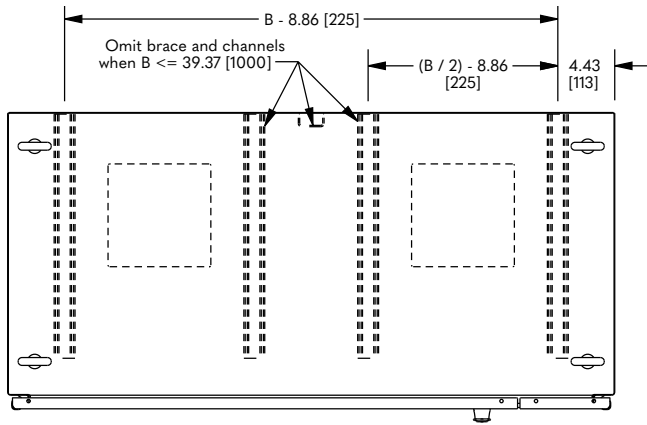
Enclosure Product Code I1

Catalog No.	Height (A)	Ref. mm Height (A)	Width (B)	Ref. mm Width (B)	Depth (C)	Ref. mm Depth (C)	Industry Standard
<a href="#">SCE-SD180805LG</a>	70.87	1800	31.50	800	18.00	500	IS3
<a href="#">SCE-SD180806LG</a>	70.87	1800	31.50	800	22.00	600	IS3
<a href="#">SCE-SD181005LG</a>	70.87	1800	39.37	1000	18.00	500	IS3
<a href="#">SCE-SD181006LG</a>	70.87	1800	39.37	1000	22.00	600	IS3
<a href="#">SCE-SD181205LG</a>	70.87	1800	47.24	1200	18.00	500	IS3
<a href="#">SCE-SD181206LG</a>	70.87	1800	47.24	1200	22.00	600	IS3
<a href="#">SCE-SD200805LG</a>	78.74	2000	31.50	800	18.00	500	IS3
<a href="#">SCE-SD200806LG</a>	78.74	2000	31.50	800	22.00	600	IS3
<a href="#">SCE-SD201005LG</a>	78.74	2000	39.37	1000	18.00	500	IS3
<a href="#">SCE-SD201006LG</a>	78.74	2000	39.37	1000	22.00	600	IS3
<a href="#">SCE-SD201205LG</a>	78.74	2000	47.24	1200	18.00	500	IS3
<a href="#">SCE-SD201206LG</a>	78.74	2000	47.24	1200	22.00	600	IS3

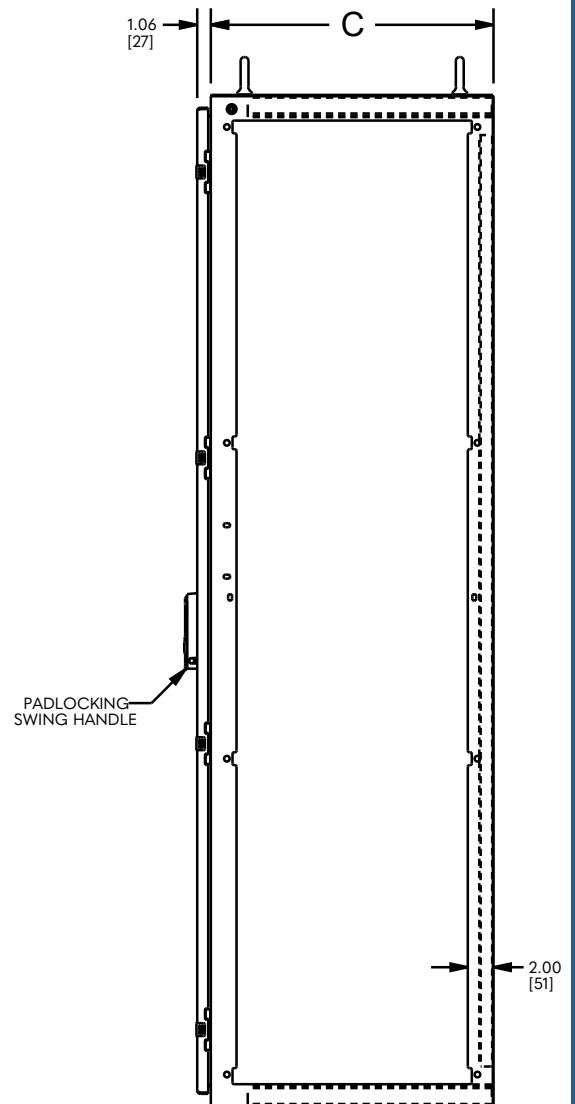
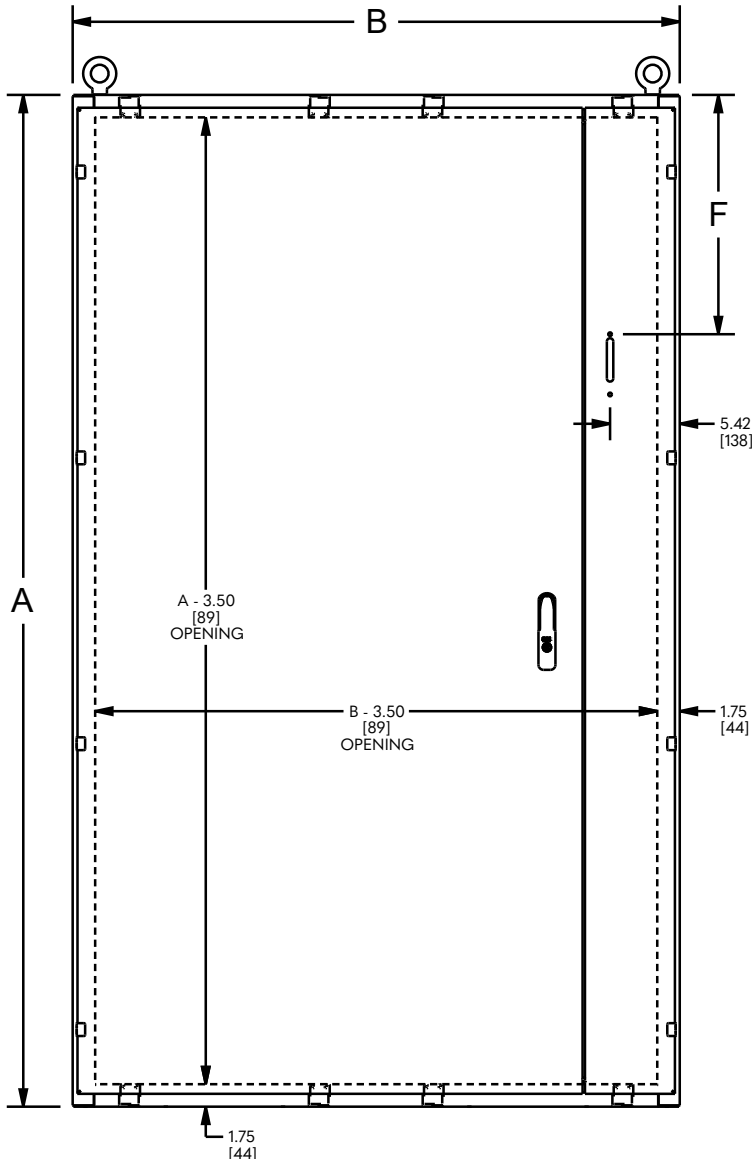


# (IMS) INDUSTRIAL MODULAR SYSTEM SINGLE-DOOR ENCLOSURE WITH SLAVE DOOR DISCONNECT

## TECHNICAL DATA



DISCONNECT NOTES:  
 $F = 14.63$  [372] when  $A = 70.87$  [1800]  
 $F = 18.63$  [473] when  $A = 78.74$  [2000]



# (IMS) INDUSTRIAL MODULAR SYSTEM TWO-DOOR ENCLOSURE WITH SLAVE DOOR DISCONNECT

## Application

Can be bolted together in any desired multiple door arrangement. Designed to house electrical equipment and most standard type disconnects and circuit breakers, and provide degree of protection from dust, dirt, water and oil. For installation information, consult our installation manual at [www.saginawcontrol.com](http://www.saginawcontrol.com).

## Construction

- 0.104" carbon steel.
- Seams continuously welded and ground smooth.
- Flange trough collar around all sides of door opening.
- Heavy duty lifting eyes anchor into reinforced top.
- Body stiffeners in large enclosures for extra rigidity.
- Mounting holes provided in bottom of enclosure for installing plinth base or securing to the floor.
- Concealed hinges.
- Removable and interchangeable doors.
- Black zinc die cast coinproof/padlocking swing handle on main door, padlocking on all other doors.
- 3-point latching mechanism.
- Large removable print pocket on main door of disconnect enclosures.
- Mounting channels provided in top and bottom of enclosure.
- Pour in place oil and water resistant gasket.
- Mechanical interlock provided on two door disconnect enclosures and all enclosures are provided with provisions for system expansion.
- Ground stud on door and body.
- Gland plates provided in bottom of enclosure.

Accessories - See page 206-216

## Finish

RAL 7035 powder coated finish.

## Notes

SCE-IMSBK sold separately, required when bolting one enclosure to another.

## IS3 Industry Standards

NEMA Type 3R, 12 & Type 13

UL Listed Type 3R & 12

CSA Type 3R & 12

IEC 60529 IP55

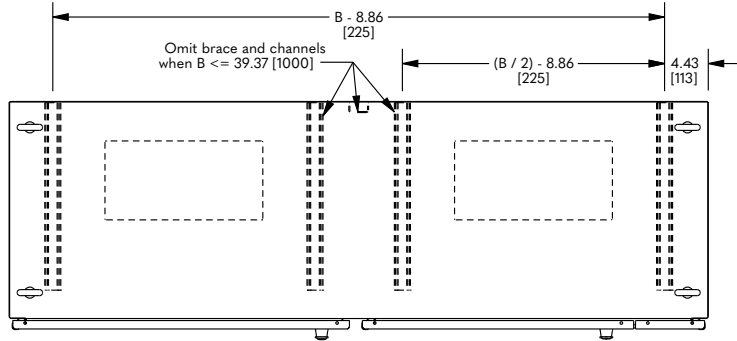
\*\*\*To maintain Type 3R listing, drainage is required. Install equally rated drainage device or drill a 1/8 to 1/4 inch hole in the bottom center of the enclosure, approximately 1 inch from the right, and 1 inch from the left for drainage, use listed rain-tight or wet location hubs. Drip shield over the door is recommended for all outdoor applications.

Enclosure Product Code I1

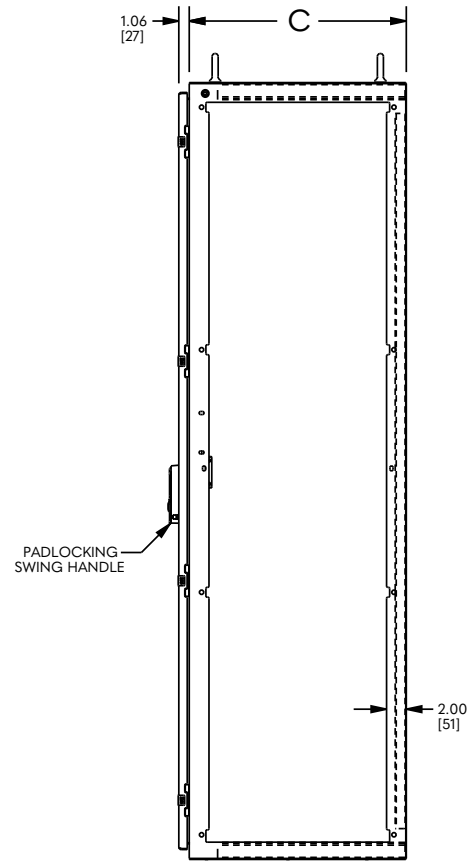
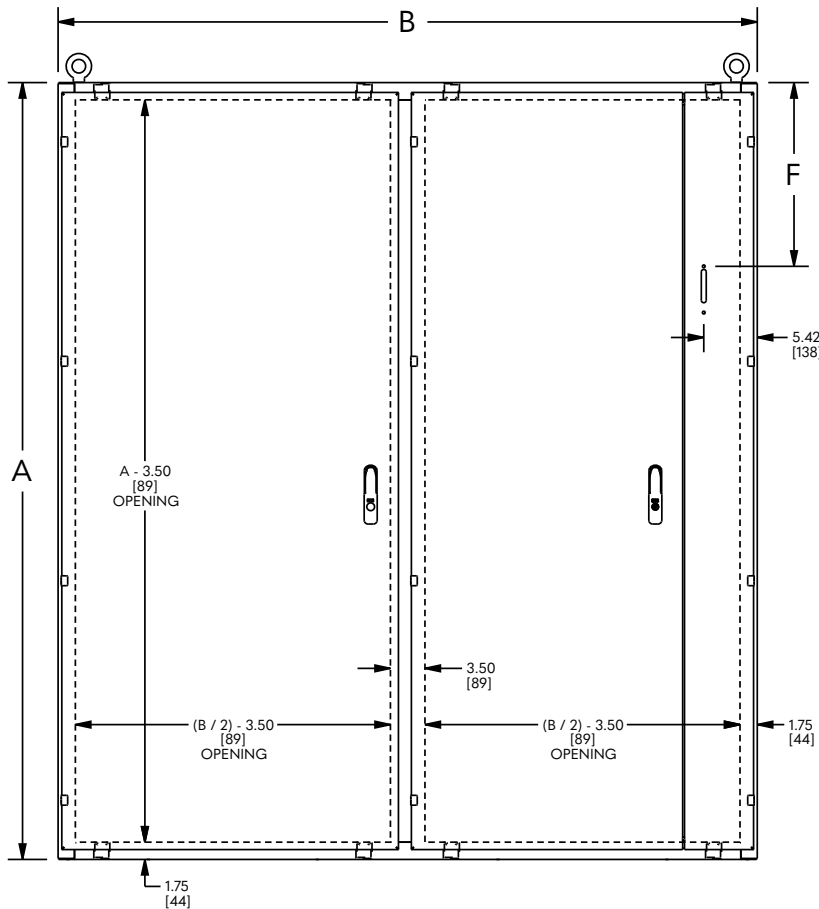
Catalog No.	Height (A)	Ref. mm Height (A)	Width (B)	Ref. mm Width (B)	Depth (C)	Ref. mm Depth (C)	Industry Standard
<a href="#">SCE-TD181605LG</a>	70.87	1800	62.99	1600	18.00	500	IS3
<a href="#">SCE-TD181606LG</a>	70.87	1800	62.99	1600	22.00	600	IS3
<a href="#">SCE-TD181805LG</a>	70.87	1800	70.87	1800	18.00	500	IS3
<a href="#">SCE-TD181806LG</a>	70.87	1800	70.87	1800	22.00	600	IS3
<a href="#">SCE-TD201605LG</a>	78.74	2000	62.99	1600	18.00	500	IS3
<a href="#">SCE-TD201606LG</a>	78.74	2000	62.99	1600	22.00	600	IS3
<a href="#">SCE-TD201805LG</a>	78.74	2000	70.87	1800	18.00	500	IS3
<a href="#">SCE-TD201806LG</a>	78.74	2000	70.87	1800	22.00	600	IS3



# (IMS) INDUSTRIAL MODULAR SYSTEM TWO-DOOR ENCLOSURE WITH SLAVE DOOR DISCONNECT TECHNICAL DATA



DISCONNECT NOTES:  
 $F = 14.63$  [372] when  $A = 70.87$  [1800]  
 $F = 18.63$  [473] when  $A = 78.74$  [2000]



OPEN BOTH SIDES



Your Enclosure Source®

# IMS SINGLE-DOOR ENCLOSURES ACCESSORY SELECTION GUIDE

Part Number	Description	<a href="#">SCE-S180605LG</a>	<a href="#">SCE-S180606LG</a>	<a href="#">SCE-S180805LG</a>	<a href="#">SCE-S180806LG</a>	<a href="#">SCE-S181005LG</a>	<a href="#">SCE-S181006LG</a>	<a href="#">SCE-S200605LG</a>	<a href="#">SCE-S200606LG</a>	<a href="#">SCE-S200805LG</a>	<a href="#">SCE-S200806LG</a>	<a href="#">SCE-S201005LG</a>	<a href="#">SCE-S201006LG</a>
<a href="#">SCE-BP1805LG</a>	Barrier Plate	•		•		•							
<a href="#">SCE-BP1806LG</a>	Barrier Plate		•		•		•						
<a href="#">SCE-BP2005LG</a>	Barrier Plate							•		•		•	
<a href="#">SCE-BP2006LG</a>	Barrier Plate								•			•	•
<a href="#">SCE-EP1805LG</a>	End Plate	•		•		•							
<a href="#">SCE-EP1806LG</a>	End Plate		•		•		•						
<a href="#">SCE-EP2005LG</a>	End Plate							•		•		•	
<a href="#">SCE-EP2006LG</a>	End Plate								•			•	•
<a href="#">SCE-GP08</a>	IMS Gland Plate	•	•					•	•				
<a href="#">SCE-GP16</a>	IMS Gland Plate			•	•	•	•			•	•	•	•
<a href="#">SCE-SGP08</a>	IMS Sliding Gland Plate	•	•					•	•				
<a href="#">SCE-SGP16</a>	IMS Sliding Gland Plate			•	•	•	•			•	•	•	•
<a href="#">SCE-P010605</a>	Single-Door Plinth Base	•						•					
<a href="#">SCE-P010606</a>	Single-Door Plinth Base		•						•				
<a href="#">SCE-P010805</a>	Single-Door Plinth Base			•						•			
<a href="#">SCE-P010806</a>	Single-Door Plinth Base				•						•		
<a href="#">SCE-P011005</a>	Single-Door Plinth Base					•						•	
<a href="#">SCE-P011006</a>	Single-Door Plinth Base						•						•
<a href="#">SCE-SP1806G</a>	Single-Door Sub-Panel (Galvanized)	•	•										
<a href="#">SCE-SP1808G</a>	Single-Door Sub-Panel (Galvanized)			•	•								
<a href="#">SCE-SP1810G</a>	Single-Door Sub-Panel (Galvanized)					•	•						
<a href="#">SCE-SP2006G</a>	Single-Door Sub-Panel (Galvanized)							•	•				
<a href="#">SCE-SP2008G</a>	Single-Door Sub-Panel (Galvanized)									•	•		
<a href="#">SCE-SP2010G</a>	Single-Door Sub-Panel (Galvanized)											•	•
<a href="#">SCE-FP18G</a>	Filler Plates (Galvanized)	•	•	•	•	•	•						
<a href="#">SCE-FP20G</a>	Filler Plates (Galvanized)							•	•	•	•	•	•
<a href="#">SCE-SPMP05</a>	Sub-Panel Mounting Strap	•		•		•		•		•		•	
<a href="#">SCE-SPMP06</a>	Sub-Panel Mounting Strap		•		•		•			•		•	•
<a href="#">SCE-FMA</a>	Floor-Mounting Angles	•	•	•	•	•	•	•	•	•	•	•	•
<a href="#">SCE-IMSBK</a>	IMS Bolt Pack	•	•	•	•	•	•	•	•	•	•	•	•
<a href="#">SCE-DF1806</a>	Dead Front/Swing Panel	•	•										
<a href="#">SCE-DF1808</a>	Dead Front/Swing Panel			•	•								
<a href="#">SCE-DF1810</a>	Dead Front/Swing Panel					•	•						
<a href="#">SCE-DF2006</a>	Dead Front/Swing Panel							•	•				
<a href="#">SCE-DF2008</a>	Dead Front/Swing Panel									•	•		
<a href="#">SCE-DF2010</a>	Dead Front/Swing Panel											•	•
<a href="#">SCE-URA18</a>	U - Shape Rack Angles	•	•	•	•	•	•						
<a href="#">SCE-URA20</a>	U - Shape Rack Angles							•	•	•	•	•	•
<a href="#">SCE-LRA18</a>	L - Shape Rack Angles	•	•	•	•	•	•						
<a href="#">SCE-LRA20</a>	L - Shape Rack Angles							•	•	•	•	•	•
<a href="#">SCE-SDMI</a>	IMS Slave Door Mechanical Interlock Kit	•	•	•	•	•	•	•	•	•	•	•	•
<a href="#">SCE-MDMI</a>	IMS Main Single-Door Interlock Kit	•	•	•	•	•	•	•	•	•	•	•	•
<a href="#">SCE-VMG18</a>	Vertical Mounting Grid	•	•	•	•	•	•						
<a href="#">SCE-VMG20</a>	Vertical Mounting Grid							•	•	•	•	•	•
<a href="#">SCE-TEMG</a>	Top, End Mounting Grid	•	•	•	•	•	•	•	•	•	•	•	•
<a href="#">SCE-EMG</a>	End Mounting Grid	•	•	•	•	•	•	•	•	•	•	•	•
<a href="#">SCE-FMG06</a>	Filler Mounting Grid	•	•					•	•				
<a href="#">SCE-FMG08</a>	Filler Mounting Grid			•	•					•	•		
<a href="#">SCE-FMG10</a>	Filler Mounting Grid					•	•					•	•
<a href="#">SCE-20POS</a>	Pullout Shelf				•		•				•		•
<a href="#">SCE-22VEPOS</a>	Vented Pullout Shelf				•		•				•		•
<a href="#">SCE-20STS</a>	Stationary Shelf				•		•				•		•
<a href="#">SCE-20VESTS</a>	Vented Stationary Shelf				•		•				•		•

# IMS TWO-DOOR ENCLOSURES ACCESSORY SELECTION GUIDE

Part Number	Description	SCE-T181205LG	SCE-T181206LG	SCE-T181605LG	SCE-T181606LG	SCE-T201205LG	SCE-T201206LG	SCE-T201605LG	SCE-T201606LG
<a href="#">SCE-BP1805LG</a>	Barrier Plate	•		•					
<a href="#">SCE-BP1806LG</a>	Barrier Plate		•		•				
<a href="#">SCE-BP2005LG</a>	Barrier Plate					•		•	
<a href="#">SCE-BP2006LG</a>	Barrier Plate						•		•
<a href="#">SCE-EP1805LG</a>	End Plate	•		•					
<a href="#">SCE-EP1806LG</a>	End Plate		•		•				
<a href="#">SCE-EP2005LG</a>	End Plate					•		•	
<a href="#">SCE-EP2006LG</a>	End Plate						•		•
<a href="#">SCE-PO11205</a>	IMS Gland Plate	•	•			•	•		
<a href="#">SCE-GP08</a>	IMS Gland Plate			•	•			•	•
<a href="#">SCE-GP16</a>	IMS Sliding Gland Plate	•	•			•	•		
<a href="#">SCE-SGP08</a>	IMS Sliding Gland Plate			•	•			•	•
<a href="#">SCE-SGP16</a>	Single-Door Plinth Base		•				•		
<a href="#">SCE-PO11206</a>	Two-Door Plinth Base	•				•			
<a href="#">SCE-PO11605</a>	Two-Door Plinth Base			•				•	
<a href="#">SCE-PO11606</a>	Two-Door Plinth Base				•				•
<a href="#">SCE-SP1806G</a>	Single-Door Sub-Panel (Galvanized)	•	•						
<a href="#">SCE-SP1808G</a>	Single-Door Sub-Panel (Galvanized)			•	•				
<a href="#">SCE-SP2006G</a>	Single-Door Sub-Panel (Galvanized)					•	•		
<a href="#">SCE-SP2008G</a>	Single-Door Sub-Panel (Galvanized)							•	•
<a href="#">SCE-SP1812G</a>	Two-Door Sub-Panel (Galvanized)	•	•						
<a href="#">SCE-SP1816G</a>	Two-Door Sub-Panel (Galvanized)			•	•				
<a href="#">SCE-SP2012G</a>	Two-Door Sub-Panel (Galvanized)					•	•		
<a href="#">SCE-SP2016G</a>	Two-Door Sub-Panel (Galvanized)							•	•
<a href="#">SCE-FP18G</a>	Filler Plates (Galvanized)	•	•	•	•				
<a href="#">SCE-FP20G</a>	Filler Plates (Galvanized)					•	•	•	•
<a href="#">SCE-SPMP05</a>	Sub-Panel Mounting Strap	•		•		•		•	
<a href="#">SCE-SPMP06</a>	Sub-Panel Mounting Strap		•		•		•		•
<a href="#">SCE-FMA</a>	Floor-Mounting Angles	•	•	•	•	•	•	•	•
<a href="#">SCE-IMSBK</a>	IMS Bolt Pack	•	•	•	•	•	•	•	•
<a href="#">SCE-DF1806</a>	Dead Front/Swing Panel	•	•						
<a href="#">SCE-DF1808</a>	Dead Front/Swing Panel			•	•				
<a href="#">SCE-DF2006</a>	Dead Front/Swing Panel					•	•		
<a href="#">SCE-DF2008</a>	Dead Front/Swing Panel							•	•
<a href="#">SCE-URA18</a>	U - Shape Rack Angles	•	•	•	•				
<a href="#">SCE-URA20</a>	U - Shape Rack Angles					•	•	•	•
<a href="#">SCE-LRA18</a>	L - Shape Rack Angles	•	•	•	•				
<a href="#">SCE-LRA20</a>	L - Shape Rack Angles					•	•	•	•
<a href="#">SCE-SDMI</a>	IMS Slave Door Mechanical Interlock Kit	•	•	•	•	•	•	•	•
<a href="#">SCE-MDMI</a>	IMS Main Single-Door Interlock Kit	•	•	•	•	•	•	•	•
<a href="#">SCE-VMG18</a>	Vertical Mounting Grid	•	•	•	•				
<a href="#">SCE-VMG20</a>	Vertical Mounting Grid					•	•	•	•
<a href="#">SCE-TEMG</a>	Top, End Mounting Grid	•	•	•	•	•	•	•	•
<a href="#">SCE-EMG</a>	End Mounting Grid	•	•	•	•	•	•	•	•
<a href="#">SCE-FMG06</a>	Filler Mounting Grid	•	•			•	•		
<a href="#">SCE-FMG08</a>	Filler Mounting Grid			•	•			•	•
<a href="#">SCE-FMG</a>	Center Filler Mounting Grid	•	•	•	•	•	•	•	•
<a href="#">SCE-20POS</a>	Pullout Shelf		•	•			•		•
<a href="#">SCE-22VEPOS</a>	Vented Pullout Shelf		•	•			•		•
<a href="#">SCE-20STS</a>	Stationary Shelf		•	•			•		•
<a href="#">SCE-20VESTS</a>	Vented Stationary Shelf		•	•			•		•



Your Enclosure Source®

# IMS SINGLE-DOOR ENCLOSURES WITH SLAVE DOOR DISCONNECT - ACCESSORY SELECTION GUIDE

Part Number	Description	SCE-SD180805LG	SCE-SD180806LG	SCE-SD181005LG	SCE-SD181006LG	SCE-SD181205LG	SCE-SD181206LG	SCE-SD200805LG	SCE-SD200806LG	SCE-SD201005LG	SCE-SD201006LG	SCE-SD201205LG	SCE-SD201206LG
<a href="#">SCE-BP1805LG</a>	Barrier Plate	•		•		•							
<a href="#">SCE-BP1806LG</a>	Barrier Plate		•		•		•						
<a href="#">SCE-BP2005LG</a>	Barrier Plate							•		•		•	
<a href="#">SCE-BP2006LG</a>	Barrier Plate								•		•		•
<a href="#">SCE-EP1805LG</a>	End Plate	•		•		•							
<a href="#">SCE-EP1806LG</a>	End Plate		•		•		•						
<a href="#">SCE-EP2005LG</a>	End Plate							•		•		•	
<a href="#">SCE-EP2006LG</a>	End Plate								•		•		•
<a href="#">SCE-GP08</a>	IMS Gland Plate					•	•					•	•
<a href="#">SCE-GP16</a>	IMS Gland Plate	•	•	•	•			•	•	•	•	•	•
<a href="#">SCE-SGP08</a>	IMS Sliding Gland Plate					•	•					•	•
<a href="#">SCE-SGP16</a>	IMS Sliding Gland Plate	•	•	•	•			•	•	•	•	•	•
<a href="#">SCE-P010805</a>	Single-Door Plinth Base	•						•					
<a href="#">SCE-P010806</a>	Single-Door Plinth Base		•						•				
<a href="#">SCE-P011005</a>	Single-Door Plinth Base			•						•			
<a href="#">SCE-P011006</a>	Single-Door Plinth Base				•						•		
<a href="#">SCE-P011205</a>	Two-Door Plinth Base					•						•	
<a href="#">SCE-P011206</a>	Two-Door Plinth Base						•						•
<a href="#">SCE-SP1806G</a>	Single-Door Sub-Panel (Galvanized)					•	•						
<a href="#">SCE-SP1808G</a>	Single-Door Sub-Panel (Galvanized)	•	•										
<a href="#">SCE-SP1810G</a>	Single-Door Sub-Panel (Galvanized)			•	•								
<a href="#">SCE-SP1812G</a>	Two-Door Sub-Panel (Galvanized)					•	•						
<a href="#">SCE-SP2006G</a>	Single-Door Sub-Panel (Galvanized)											•	•
<a href="#">SCE-SP2008G</a>	Single-Door Sub-Panel (Galvanized)							•	•				
<a href="#">SCE-SP2010G</a>	Single-Door Sub-Panel (Galvanized)									•	•		
<a href="#">SCE-SP2012G</a>	Two-Door Sub-Panel (Galvanized)											•	•
<a href="#">SCE-FP18G</a>	Filler Plates (Galvanized)	•	•	•	•	•	•						
<a href="#">SCE-FP20G</a>	Filler Plates (Galvanized)							•	•	•	•	•	•
<a href="#">SCE-SPMP05</a>	Sub-Panel Mounting Strap	•		•		•		•		•		•	
<a href="#">SCE-SPMP06</a>	Sub-Panel Mounting Strap		•		•		•		•		•		•
<a href="#">SCE-FMA</a>	Floor-Mounting Angles	•	•	•	•	•	•	•	•	•	•	•	•
<a href="#">SCE-IMSBK</a>	IMS Bolt Pack	•	•	•	•	•	•	•	•	•	•	•	•
<a href="#">SCE-DF1806</a>	Dead Front/Swing Panel					•	•						
<a href="#">SCE-DF1808</a>	Dead Front/Swing Panel	•	•										
<a href="#">SCE-DF1810</a>	Dead Front/Swing Panel			•	•								
<a href="#">SCE-DF2006</a>	Dead Front/Swing Panel											•	•
<a href="#">SCE-DF2008</a>	Dead Front/Swing Panel							•	•				
<a href="#">SCE-DF2010</a>	Dead Front/Swing Panel									•	•		
<a href="#">SCE-URA18</a>	U - Shape Rack Angles	•	•	•	•	•	•						
<a href="#">SCE-URA20</a>	U - Shape Rack Angles							•	•	•	•	•	•
<a href="#">SCE-LRA18</a>	L - Shape Rack Angles	•	•	•	•	•	•						
<a href="#">SCE-LRA20</a>	L - Shape Rack Angles							•	•	•	•	•	•
<a href="#">SCE-SDMI</a>	IMS Slave Door Mechanical Interlock Kit	•	•	•	•	•	•	•	•	•	•	•	•
<a href="#">SCE-MDMI</a>	IMS Main Single-Door Interlock Kit	•	•	•	•	•	•	•	•	•	•	•	•
<a href="#">SCE-VMG18</a>	Vertical Mounting Grid	•	•	•	•	•	•						
<a href="#">SCE-VMG20</a>	Vertical Mounting Grid							•	•	•	•	•	•
<a href="#">SCE-TEMG</a>	Top, End Mounting Grid	•	•	•	•	•	•	•	•	•	•	•	•
<a href="#">SCE-EMG</a>	End Mounting Grid	•	•	•	•	•	•	•	•	•	•	•	•
<a href="#">SCE-FMG06</a>	Filler Mounting Grid					•	•					•	•
<a href="#">SCE-FMG08</a>	Filler Mounting Grid	•	•					•	•				
<a href="#">SCE-FMG10</a>	Filler Mounting Grid			•	•					•	•		
<a href="#">SCE-FMG</a>	Center Filler Mounting Grid					•	•					•	•
<a href="#">SCE-20POS</a>	Pullout Shelf		•		•			•			•		•
<a href="#">SCE-22VEPOS</a>	Vented Pullout Shelf		•		•			•			•		•
<a href="#">SCE-20STS</a>	Stationary Shelf		•		•			•			•		•
<a href="#">SCE-20VESTS</a>	Vented Stationary Shelf		•		•			•			•		•





Your Enclosure Source®

# IMS TWO-DOOR ENCLOSURES WITH SLAVE DOOR DISCONNECT - ACCESSORY SELECTION GUIDE

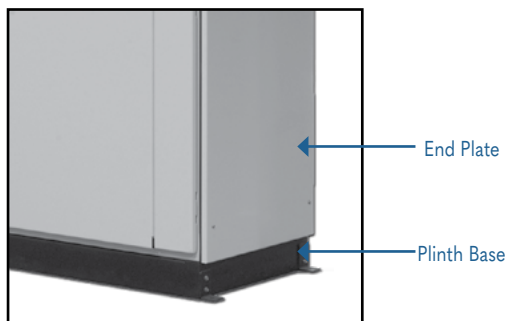
Part Number	Description	SCE-TD181605LG	SCE-TD181606LG	SCE-TD181805LG	SCE-TD181806LG	SCE-TD201605LG	SCE-TD201606LG	SCE-TD201805LG	SCE-TD201806LG
<a href="#">SCE-BP1805LG</a>	Barrier Plate	•		•					
<a href="#">SCE-BP1806LG</a>	Barrier Plate		•		•				
<a href="#">SCE-BP2005LG</a>	Barrier Plate					•		•	
<a href="#">SCE-BP2006LG</a>	Barrier Plate						•		•
<a href="#">SCE-EP1805LG</a>	End Plate	•		•					
<a href="#">SCE-EP1806LG</a>	End Plate		•		•				
<a href="#">SCE-EP2005LG</a>	End Plate					•		•	
<a href="#">SCE-EP2006LG</a>	End Plate						•		•
<a href="#">SCE-GP16</a>	IMS Gland Plate	•	•	•	•	•	•	•	•
<a href="#">SCE-SGP16</a>	IMS Sliding Gland Plate	•	•	•	•	•	•	•	•
<a href="#">SCE-P011605</a>	Two-Door Plinth Base	•				•			
<a href="#">SCE-P011606</a>	Two-Door Plinth Base		•				•		
<a href="#">SCE-P011805</a>	Two-Door Plinth Base			•				•	
<a href="#">SCE-SP1806G</a>	Two-Door Plinth Base				•				•
<a href="#">SCE-SP1808G</a>	Single-Door Sub-Panel (Galvanized)	•	•						
<a href="#">SCE-SP1809/G</a>	Single-Door Sub-Panel (Galvanized)			•	•				
<a href="#">SCE-SP2008/G</a>	Single-Door Sub-Panel (Galvanized)					•	•		
<a href="#">SCE-SP2009/G</a>	Single-Door Sub-Panel (Galvanized)							•	•
<a href="#">SCE-SP1816/G</a>	Two-Door Sub-Panel (Galvanized)	•	•						
<a href="#">SCE-SP1818/G</a>	Two-Door Sub-Panel (Galvanized)			•	•				
<a href="#">SCE-SP2016/G</a>	Two-Door Sub-Panel (Galvanized)					•	•		
<a href="#">SCE-SP2018/G</a>	Two-Door Sub-Panel (Galvanized)							•	•
<a href="#">SCE-FP18G</a>	Filler Plates (Galvanized)	•	•	•	•				
<a href="#">SCE-FP20G</a>	Filler Plates (Galvanized)					•	•	•	•
<a href="#">SCE-SPMP05</a>	Sub-Panel Mounting Strap	•		•		•		•	
<a href="#">SCE-SPMP06</a>	Sub-Panel Mounting Strap		•		•		•		•
<a href="#">SCE-FMA</a>	Floor-Mounting Angles	•	•	•	•	•	•	•	•
<a href="#">SCE-IMSBK</a>	IMS Bolt Pack	•	•	•	•	•	•	•	•
<a href="#">SCE-DF1808</a>	Dead Front/Swing Panel	•	•						
<a href="#">SCE-DF1809</a>	Dead Front/Swing Panel			•	•				
<a href="#">SCE-DF2008</a>	Dead Front/Swing Panel					•	•		
<a href="#">SCE-DF2009</a>	Dead Front/Swing Panel							•	•
<a href="#">SCE-URA18</a>	U - Shape Rack Angles	•	•	•	•				
<a href="#">SCE-URA20</a>	U - Shape Rack Angles					•	•	•	•
<a href="#">SCE-LRA18</a>	L - Shape Rack Angles	•	•	•	•				
<a href="#">SCE-LRA20</a>	L - Shape Rack Angles					•	•	•	•
<a href="#">SCE-MDMI</a>	IMS Main Single-Door Interlock Kit	•	•	•	•	•	•	•	•
<a href="#">SCE-MDMI2</a>	IMS Main Two-Door Interlock Kit	•	•	•	•	•	•	•	•
<a href="#">SCE-VMG18</a>	Vertical Mounting Grid	•	•	•	•				
<a href="#">SCE-VMG20</a>	Vertical Mounting Grid					•	•	•	•
<a href="#">SCE-TEMG</a>	Top, End Mounting Grid	•	•	•	•	•	•	•	•
<a href="#">SCE-EMG</a>	End Mounting Grid	•	•	•	•	•	•	•	•
<a href="#">SCE-FMG08</a>	Filler Mounting Grid	•	•			•	•		
<a href="#">SCE-FMG09</a>	Filler Mounting Grid			•	•			•	•
<a href="#">SCE-FMG</a>	Center Filler Mounting Grid	•	•	•	•	•	•	•	•
<a href="#">SCE-20POS</a>	Pullout Shelf		•		•		•		•
<a href="#">SCE-22VEPOS</a>	Vented Pullout Shelf		•		•		•		•
<a href="#">SCE-20STS</a>	Stationary Shelf		•		•		•		•
<a href="#">SCE-20VESTS</a>	Vented Stationary Shelf		•		•		•		•

# INDUSTRIAL MODULAR SYSTEM (IMS) ACCESSORIES

## END PLATE

Designed to provide a sealed cover for the open end of IMS enclosures. Provides additional wiring space along the side of the enclosure. Gasket and mounting hardware is included. Made of heavy gauge steel and powder coated RAL 7035 Gray.

Catalog No.	Height (A)	Used With Enclosure Ref. mm Height	Width (B)	Used With Enclosure Ref. mm Depth	Product Code
<a href="#">SCE-EP1805LG</a>	70.62	1800	17.75	500	P5
<a href="#">SCE-EP1806LG</a>	70.62	1800	21.75	600	P5
<a href="#">SCE-EP2005LG</a>	78.48	2000	17.75	500	P5
<a href="#">SCE-EP2006LG</a>	78.48	2000	21.75	600	P5



## PLINTH BASE

Designed to install under an enclosure to provide space for cables to enter from below and raise the enclosure up off the floor. Plinth bases are stackable to acquire desired height off the floor. Black textured powder coat finish.

Catalog No.	Height (A)	Used With Enclosure Ref. mm Height	Width (B)	Used With Enclosure Ref. mm Width	Depth (C)	Used With Enclosure Ref. mm Depth	Product Code
<b>Single-Door Plinth Base</b>							
<a href="#">SCE-P010605</a>	3.94	100	23.62	600	18.00	500	P5
<a href="#">SCE-P010606</a>	3.94	100	23.62	600	22.00	600	P5
<a href="#">SCE-P010805</a>	3.94	100	31.50	800	18.00	500	P5
<a href="#">SCE-P010806</a>	3.94	100	31.50	800	22.00	600	P5
<a href="#">SCE-P011005</a>	3.94	100	39.37	1000	18.00	500	P5
<a href="#">SCE-P011006</a>	3.94	100	39.37	1000	22.00	600	P5
<b>Two-Door Plinth Base</b>							
<a href="#">SCE-P011205</a>	3.94	100	47.24	1200	18.00	500	P5
<a href="#">SCE-P011206</a>	3.94	100	47.24	1200	22.00	600	P5
<a href="#">SCE-P011605</a>	3.94	100	62.99	1600	18.00	500	P5
<a href="#">SCE-P011606</a>	3.94	100	62.99	1600	22.00	600	P5
<a href="#">SCE-P011805</a>	3.94	100	70.87	1800	18.00	500	P5
<a href="#">SCE-P011806</a>	3.94	100	70.87	1800	22.00	600	P5

## BARRIER PLATE

Designed to serve as a barrier between two IMS enclosure sections. Mounting holes. Gasket is included. Made of heavy gauge steel and powder coated RAL 7035 Gray. Bolt Pack SCE-IMSBK sold separately.

Catalog No.	Height (A)	Used With Enclosure Ref. mm Height	Width (B)	Used With Enclosure Ref. mm Depth	Product Code
<a href="#">SCE-BP1805LG</a>	70.37	1800	17.50	500	P5
<a href="#">SCE-BP1806LG</a>	70.37	1800	21.50	600	P5
<a href="#">SCE-BP2005LG</a>	78.24	2000	17.50	500	P5
<a href="#">SCE-BP2006LG</a>	78.24	2000	21.50	600	P5

# INDUSTRIAL MODULAR SYSTEM (IMS) ACCESSORIES

## SINGLE-DOOR GALVANIZED SUB-PANEL

Catalog No.	Height (A)	Ref. mm Height (A)	Used With Enclosure Ref. mm Height	Width (B)	Ref. mm Width (B)	Used With Enclosure Ref. mm Width	Product Code
<a href="#">SCE-SP1806G</a>	66.44	1687.50	1800	19.69	500	600 & 1200	P5
<a href="#">SCE-SP1808G</a>	66.44	1687.50	1800	27.56	700	800 & 1600	P5
<a href="#">SCE-SP1809G</a>	66.44	1687.50	1800	31.50	800	900 & 1800	P5
<a href="#">SCE-SP1810G</a>	66.44	1687.50	1800	35.43	900	1000	P5
<a href="#">SCE-SP2006G</a>	74.31	1887.50	2000	19.69	500	600 & 1200	P5
<a href="#">SCE-SP2008G</a>	74.31	1887.50	2000	27.56	700	800 & 1600	P5
<a href="#">SCE-SP2009G</a>	74.31	1887.50	2000	31.50	800	900 & 1800	P5
<a href="#">SCE-SP2010G</a>	74.31	1887.50	2000	35.43	900	1000	P5

## GALVANIZED SUB-PANEL

Sub-panels are constructed from galvanized steel for direct bonding of electrical components.

## TWO-DOOR GALVANIZED SUB-PANEL

Catalog No.	Height (A)	Ref. mm Height (A)	Used With Enclosure Ref. mm Height	Width (B)	Ref. mm Width (B)	2 Piece Sub-Panel	Used With Enclosure Ref. mm Width	Product Code
<a href="#">SCE-SP1812G</a>	66.44	1687.50	1800	43.31	1100		1200	P5
<a href="#">SCE-SP1816G</a>	66.44	1687.50	1800	59.06	1500	*	1600	P5
<a href="#">SCE-SP1818G</a>	66.44	1687.50	1800	66.93	1700	*	1800	P5
<a href="#">SCE-SP2012G</a>	74.31	1887.50	2000	43.31	1100		1200	P5
<a href="#">SCE-SP2016G</a>	74.31	1887.50	2000	59.06	1500	*	1600	P5
<a href="#">SCE-SP2018G</a>	74.31	1887.50	2000	66.93	1700	*	1800	P5

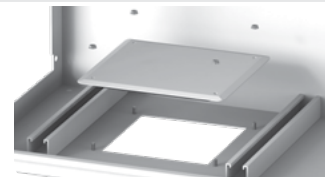
\* 2 piece sub-panels are manufactured as two separate pieces and designed to be bolted together. Bolt pack included.



Catalog No.	Height (A)	Ref. mm Height (A)	Width (B)	Ref. mm Width (B)	Used With Enclosure Ref. mm Width	Product Code
<a href="#">SCE-GP08</a>	10.00	254	11.00	279	600, 1200	P2
<a href="#">SCE-GP16</a>	10.00	254	19.00	483	800, 1000, 1600, 1800	P2

## GLAND PLATES

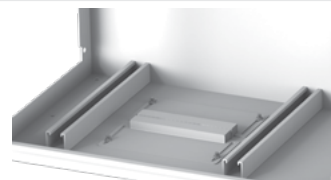
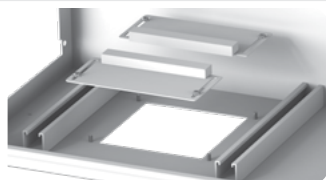
Gland plates designed for use in our IMS enclosures to allow for easy removal of the plate for installation of cable entry cutouts into enclosure. Includes seamless oil and water resistant gasket to maintain the environmental rating of the enclosure. Powder coated RAL 7035.



Catalog No.	Height (A)	Ref. mm Height (A)	Width (B)	Ref. mm Width (B)	Used With Enclosure Ref. mm Width	Product Code
<a href="#">SCE-SGP08</a>	10.00	254	11.00	279	600, 1200	P2
<a href="#">SCE-SGP16</a>	10.00	254	19.00	483	800, 1000, 1600, 1800	P2

## SLIDING GLAND PLATE

Sliding gland plates are designed to allow for easy cable entry into enclosure. Allows 6 inch of adjustable opening for cable entry and a 1 inch foam lined edge maintains a tight seal. Powder coated RAL 7035.

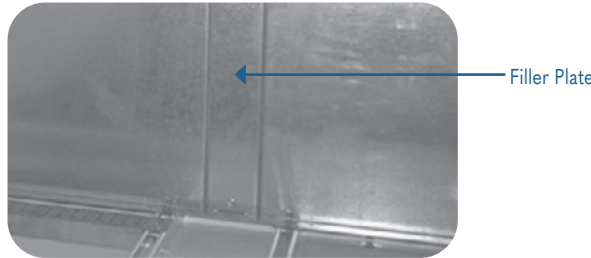


# INDUSTRIAL MODULAR SYSTEM (IMS) ACCESSORIES

## GALVANIZED FILLER PLATES

Designed to provide additional mounting surface between sub-panels or sections of a modular enclosure. Slotted mounting holes allow flexible installation.

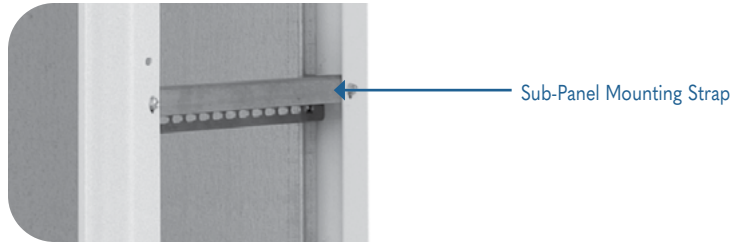
Catalog No.	Height (A)	Ref. mm Height (A)	Width (B)	Ref. mm Width (B)	Used With Enclosure Ref. mm Width	Product Code
<a href="#">SCE-FP18G</a>	66.44	1687.5	3.88	98.5	1800	P5
<a href="#">SCE-FP20G</a>	74.31	1887.5	3.88	98.5	2000	P5



## SUB-PANEL MOUNTING STRAP

Designed to provide additional mounting to the center of sub-panels on the right and left sides of a modular enclosure. Made of galvanized material.

Catalog No.	Length (C)	Ref. mm Length (C)	Used With Enclosure Ref. mm Depth	Parts Per Kit	Product Code
<a href="#">SCE-SPMP05</a>	16.75	425.45	500	2	P5
<a href="#">SCE-SPMP06</a>	20.75	527.05	600	2	P5



## U-SHAPE RACK ANGLES

Designed for use in IMS enclosure to provide provisions for the installation of rack mounted equipment and allow position at the desired rack mounting width and depth. Made of galvanized material and powder coated white.

Catalog No.	Height (A)	Ref. mm Height (A)	Used With Enclosure Ref. mm Height	Qty Per Kit	Product Code
<a href="#">SCE-URA18</a>	66.94	1689	1800	2	P5
<a href="#">SCE-URA20</a>	74.94	1867	2000	2	P5



## L-SHAPE RACK ANGLES

Designed for use in IMS enclosure to provide provisions for the installation of rack mounted equipment and allow position at the desired rack mounting width and depth. Made of galvanized material and powder coated white.

Catalog No.	Height (A)	Ref. mm Height (A)	Used With Enclosure Ref. mm Height	Qty Per Kit	Product Code
<a href="#">SCE-LRA18</a>	66.50	1689	1800	2	P5
<a href="#">SCE-LRA20</a>	75.00	1867	2000	2	P5



# INDUSTRIAL MODULAR SYSTEM (IMS) ACCESSORIES

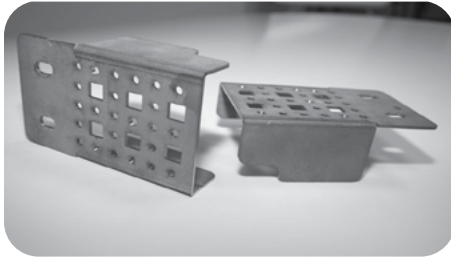
Catalog No.	Parts Per Kit	Product Code
<a href="#">SCE-TEMG</a>	2	P5



## TOP-END MOUNTING GRID

Designed to provide a flexible extension to the mounting system. Top-end grid to be installed in the top of the enclosure between the mounting channel and the side of the enclosure. Made of galvanized material.

Catalog No.	Parts Per Kit	Product Code
<a href="#">SCE-EMG</a>	2	P5



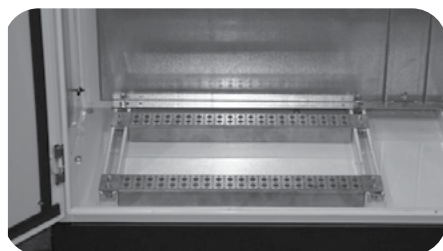
## END MOUNTING GRID

Designed to provide a flexible extension to the mounting system. End grid to be attached to the mounting channel in the top or bottom of the enclosure. Made of galvanized material.

Catalog No.	Length (C)	Ref. mm Length (C)	Used With Enclosure Ref. mm Width	Qty Per Kit	Product Code
<a href="#">SCE-FMG05</a>	12.80	325	500	2	P5
<a href="#">SCE-FMG06</a>	16.73	425	600 & 1200	2	P5
<a href="#">SCE-FMG08</a>	24.61	625	800 & 1600	2	P5
<a href="#">SCE-FMG09</a>	28.54	725	900 & 1800	2	P5
<a href="#">SCE-FMG10</a>	32.47	825	1000	2	P5
<a href="#">SCE-FMG</a>	10.51	267	1200, 1600 & 1800	2	P5

## FILLER MOUNTING GRID

Designed to provide a flexible extension to the internal mounting system. Filler grid to be installed between the mounting channels and top or bottom of the modular enclosure. Made of galvanized material.

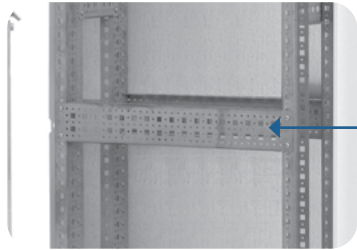


Filler Mounting Grid

# INDUSTRIAL MODULAR SYSTEM (IMS) ACCESSORIES

## HORIZONTAL MOUNTING GRID

Designed to provide a horizontal extension of the frame holes in the sides of the IMS enclosure. Sold in sets of two with mounting hardware included. Made of galvanized material.

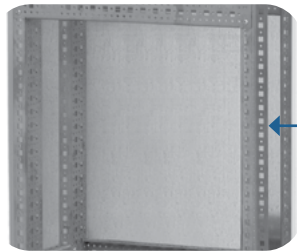


Horizontal Mounting Grid

Catalog No.	Width (B)	Ref. mm Width (B)	Qty Per Kit	Product Code
<a href="#">SCE-HMG175</a>	6.89	175	2	P5
<a href="#">SCE-HMG225</a>	8.88	225	2	P5
<a href="#">SCE-HMG300</a>	11.81	300	2	P5
<a href="#">SCE-HMG400</a>	15.75	400	2	P5
<a href="#">SCE-HMG475</a>	18.70	475	2	P5
<a href="#">SCE-HMG575</a>	22.62	575	2	P5
<a href="#">SCE-HMG675</a>	26.56	675	2	P5
<a href="#">SCE-HMG775</a>	30.50	775	2	P5

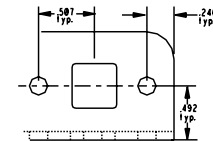
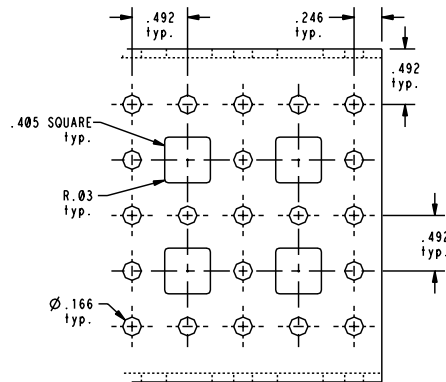
## VERTICAL MOUNTING GRID

Designed to provide a vertical extension from top to bottom of the IMS enclosure. Sold in sets of two and mounting hardware is included. Made of galvanized material.



Vertical Mounting Grid

Catalog No.	Height (A)	Used With Ref. mm Height (A)	Enclosure Ref. mm Height	Qty Per Kit	Product Code
<a href="#">SCE-VMG18</a>	66.93	1687.50	1800	2	P5
<a href="#">SCE-VMG20</a>	74.8	1887.50	2000	2	P5



# INDUSTRIAL MODULAR SYSTEM (IMS) ACCESSORIES

## GRID MOUNTING ANGLE

Designed to provide flexible mounting of horizontal and vertical mounting grids. Made of galvanized material.

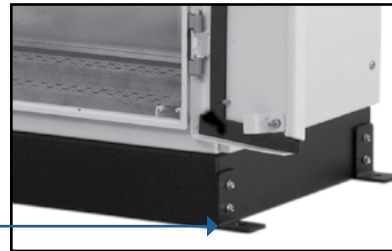


Catalog No.	Parts Per Kit	Product Code
<a href="#">SCE-GMA</a>	4	P5

## FLOOR-MOUNTING ANGLES

Designed for use with IMS enclosures when the enclosure must be secured to the floor. Kit contains four floor-mounting angles and mounting hardware. Black textured powder coat finish.

Catalog No.	Parts Per Kit	Product Code
<a href="#">SCE-FMA</a>	4	P5



## DEAD FRONT/SWING PANEL

Designed for installation into IMS enclosures, to be installed in the front of an enclosure and to swing out of the enclosure. Kit consists of heavy gauge brackets, hinges, and mounting hardware. Installed by detaching door hinge from enclosure and installing swing-out panel kit to the existing holes and hinge supplied with the enclosure. Made of heavy gauge steel and powder coated white.

Catalog No.	Height (A)	Ref. mm Height (A)	Width (B)	Ref. mm Width (B)	Used With Enclosure Ref. mm Height	Used With Enclosure Ref. mm Width	Product Code
<a href="#">SCE-DF1806</a>	65.88	1675.35	19.38	492.25	1800	600 & 1200	P5
<a href="#">SCE-DF1808</a>	65.88	1675.35	27.25	692.15	1800	800 & 1600	P5
<a href="#">SCE-DF1809</a>	65.88	1675.35	31.25	793.75	1800	1800	P5
<a href="#">SCE-DF1810</a>	65.88	1675.35	35.13	892.30	1800	1000	P5
<a href="#">SCE-DF2006</a>	73.75	1873.25	19.38	492.25	2000	600 & 1200	P5
<a href="#">SCE-DF2008</a>	73.75	1873.25	27.25	692.15	2000	800 & 1600	P5
<a href="#">SCE-DF2009</a>	73.75	1873.25	31.25	793.75	2000	1800	P5
<a href="#">SCE-DF2010</a>	73.75	1873.25	35.13	892.30	2000	1000	P5



# INDUSTRIAL MODULAR SYSTEM (IMS) ACCESSORIES

## NUT RETAINER

Designed to install in the square holes provided in mounting grids.

Catalog No.	Size	Qty Per Kit	Product Code
<a href="#">SCE-NR1032</a>	10-32	20	P5
<a href="#">SCE-NR1420</a>	1/4 - 20	20	P5

## CHANNEL NUTS

Designed for use in IMS enclosures to allow mounting of additional equipment.

Catalog No.	Size	Qty Per Kit	Product Code
<a href="#">SCE-PS1420</a>	1/4 - 20	20	P2
<a href="#">SCE-PS51618CN</a>	5/16 - 18	20	P2



## MAIN SINGLE-DOOR MECHANICAL INTERLOCK

Interlock kit designed for use on the main door of IMS Single-Door enclosures.

Catalog No.	Product Code
<a href="#">SCE-MDMI</a>	P5



## MAIN TWO-DOOR MECHANICAL INTERLOCK

Interlock kit designed for use on the main door of IMS Two-Door enclosures.

Catalog No.	Product Code
<a href="#">SCE-MDMI2</a>	P5

## SLAVE DOOR MECHANICAL INTERLOCK

Interlock kit designed for use on the slave door of IMS enclosures.

Catalog No.	Product Code
<a href="#">SCE-SDMI</a>	P5

## IMS BOLT PACK

Designed to be used as an additional gasket or to replace gasket kits when changing modular enclosure configurations. Includes oil and water resistant gasket and zinc coated nuts and bolts. Required when bolting one enclosure to another.

Catalog No.	Product Code
<a href="#">SCE-IMSBK</a>	P5



# INDUSTRIAL MODULAR SYSTEM (IMS) ACCESSORIES





*Your Enclosure Source*®

# NOTES



*Your Enclosure Source*®

# NOTES

# OPERATOR SYSTEM ENCLOSURES

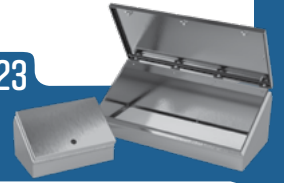
## STAINLESS STEEL

5 operator system enclosures  
stainless steel



220

222-223



224-227



228-229



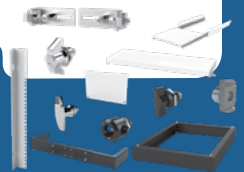
230-231



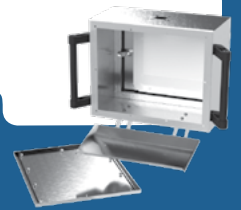
232-233



234-240



242-245



246-249



# STAINLESS STEEL ELJ CONSOLES & ACCESSORIES

## Application

Designed to house electrical and electronic controls, instruments, and components. Provides a degree of protection from dust, dirt, oil and water. Consoles can be mounted on either of two sides to give a control surface inclined 30° or 60°. Can be mounted on desks, machines, or pedestals.

## Construction

- 0.063" stainless steel Type 304.
- Seams continuously welded and ground smooth.
- Flange trough collar around all sides of door opening.
- Removable hinges.
- Pour in place oil and water resistant gasket.
- Standoffs provided for mounting optional sub-panels.
- Cable door stops included on SCE-12C\*\*, SCE-16C\*\* & SCE-20C\*\*
- Black mini quarter turn latches.
- Latches are opened or closed with a screwdriver.
- Ground stud on door and body.
- Mounting holes in back.

## Options

Can be special ordered in Type 316/316L stainless steel.

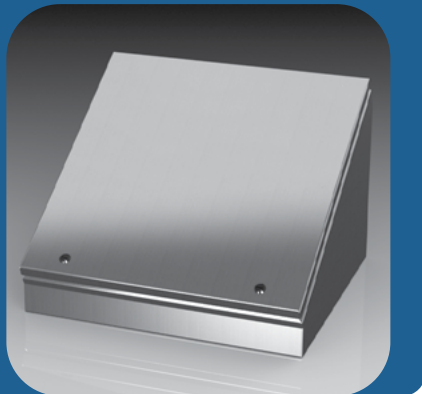
## Finish

#4 brushed finish on all exterior surfaces. Optional sub-panels powder coated white.

## IS6 Industry Standards

NEMA Type 3R, 4, 4X, 12 & Type 13  
UL Listed Type 3R, 4, 4X & 12  
CSA Type 3R, 4, 4X & 12  
IEC 60529 IP66

\*\*\*To maintain Type 3R listing, drainage is required. Install equally rated drainage device or drill a 1/8 to 1/4 inch hole in the bottom center of the enclosure, approximately 1 inch from the right, and 1 inch from the left for drainage, use listed rain-tight or wet location hubs. Drip shield over the door is recommended for all outdoor applications.



222

## STAINLESS STEEL ELJ CONSOLES

Enclosure Product Code S1

Sub-Panel (P3)

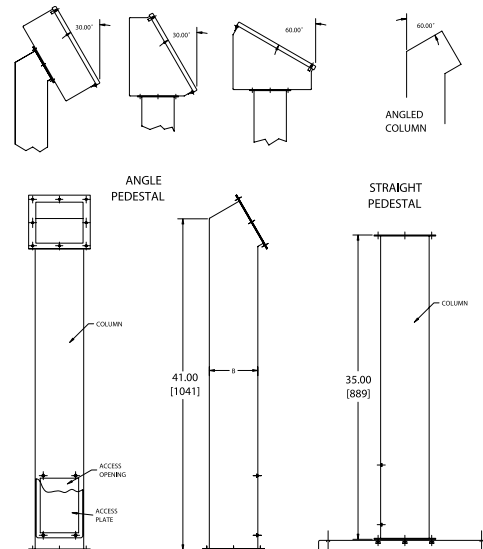
Catalog No.	Height (A)	Width (B)	Depth (C)	Depth (D)	Catalog No.	Panel Height (E)	Panel Width (C)
<a href="#">SCE-8C8ELJSS</a>	8.00	8.00	7.09	7.44	<a href="#">SCE-8P8C</a>	6.00	6.75
<a href="#">SCE-8C12ELJSS</a>	8.00	12.00	7.09	7.44	<a href="#">SCE-8P12C</a>	6.00	10.75
<a href="#">SCE-8C16ELJSS</a>	8.00	16.00	7.09	7.44	<a href="#">SCE-8P16C</a>	6.00	14.75
<a href="#">SCE-8C20ELJSS</a>	8.00	20.00	7.09	7.44	<a href="#">SCE-8P20C</a>	6.00	18.75
<a href="#">SCE-12C12ELJSS</a>	12.00	12.00	9.09	10.91	<a href="#">SCE-12P12C</a>	9.50	10.75
<a href="#">SCE-12C16ELJSS</a>	12.00	16.00	9.09	10.91	<a href="#">SCE-12P16C</a>	9.50	14.75
<a href="#">SCE-12C20ELJSS</a>	12.00	20.00	9.09	10.91	<a href="#">SCE-12P20C</a>	9.50	18.75
<a href="#">SCE-12C24ELJSS</a>	12.00	24.00	9.09	10.91	<a href="#">SCE-12P24C</a>	9.50	22.75
<a href="#">SCE-16C16ELJSS</a>	16.00	16.00	11.09	14.38	<a href="#">SCE-16P14</a>	15.00	13.00
<a href="#">SCE-16C20ELJSS</a>	16.00	20.00	11.09	14.38	<a href="#">SCE-16P20C</a>	12.88	18.75
<a href="#">SCE-16C24ELJSS</a>	16.00	24.00	11.09	14.38	<a href="#">SCE-16P24C</a>	12.88	22.75
<a href="#">SCE-20C20ELJSS</a>	20.00	20.00	13.09	17.84	<a href="#">SCE-20P20C</a>	16.38	18.75
<a href="#">SCE-20C24ELJSS</a>	20.00	24.00	13.09	17.84	<a href="#">SCE-20P24C</a>	16.38	22.75
<a href="#">SCE-20C30ELJSS</a>	20.00	30.00	13.09	17.84	<a href="#">SCE-20P30C</a>	16.38	28.75

## CABLE DOOR STOP

Catalog No.	Description	For Use On	Product Code
<a href="#">SCE-CBL15</a>	15 Inch 135° Door Stop	SCE-12C** & SCE-16C*	P2
<a href="#">SCE-CBL20</a>	20 Inch 135° Door Stop	SCE-20C**	P2

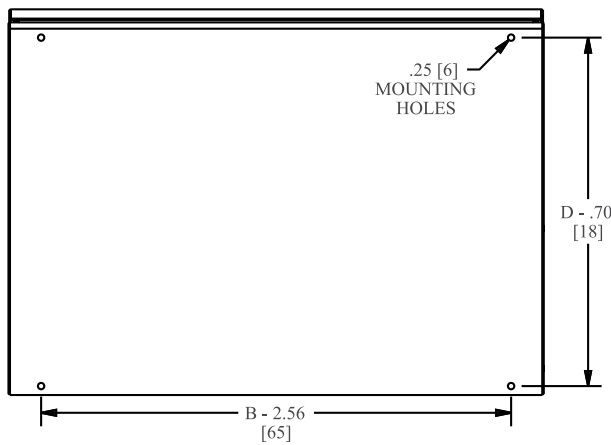
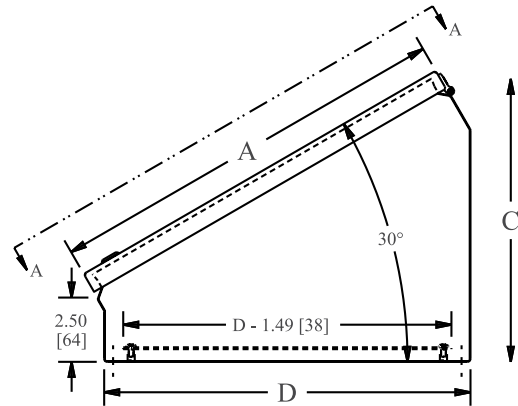
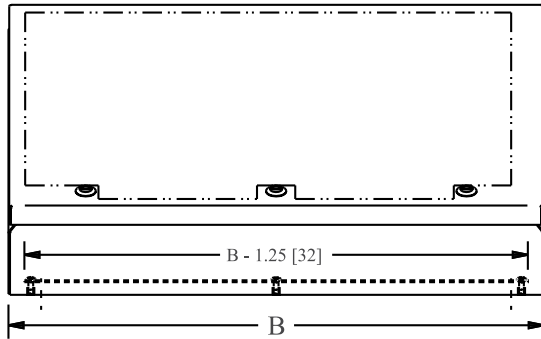
## ACCESSORY COLUMNS AND BASES

Catalog No.	Description	Size	Product Code
<a href="#">SCE-18SBASESS</a>	Stainless Steel Pedestal Base	18.00 x 18.00 x 1.00	P2
<a href="#">SCE-24SBASESS</a>	Stainless Steel Pedestal Base	24.00 x 24.00 x 1.00	P2
<a href="#">SCE-44CCOLSS</a>	Stainless Steel Straight Column	4.00 x 4.00	P2
<a href="#">SCE-44PBCOLSS</a>	Stainless Steel Angled Column	4.00 x 4.00	P2
<a href="#">SCE-66CCOLSS</a>	Stainless Steel Straight Column	6.00 x 6.00	P2
<a href="#">SCE-66PBCOLSS</a>	Stainless Steel Angled Column	6.00 x 6.00	P2



# STAINLESS STEEL ELJ CONSOLES

## TECHNICAL DATA



**NOTES:**

Provisions for cable stops on door and body when " $A$ "  $\geq 12.00 [305]$

**LATCH NOTES:**

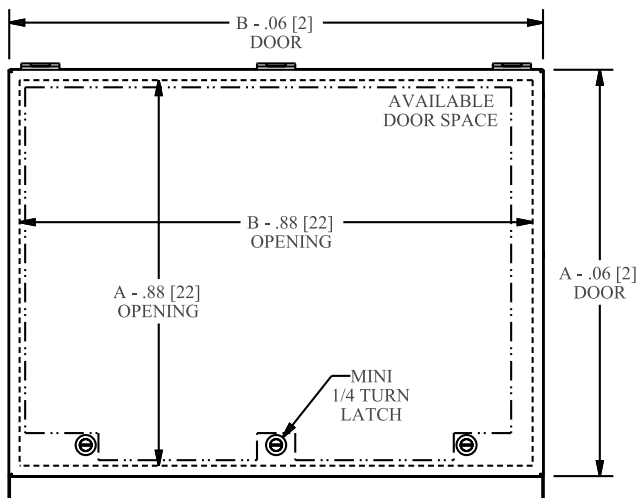
One latch centered on door horizontally if " $B$ "  $\leq 14.00 [356]$

Two latches located  $3.00 [76]$  from right & left side of door if " $B$ "  $> 14.00 [356]$

Omit center latch if " $B$ "  $> 14.00 [356]$  and  $\leq 20.00 [508]$

**SUB-PANEL NOTES:**

Provisions only for sub-panel in bottom.



VIEW A-A

# STAINLESS STEEL DESK CONSOLES

## Application

Intended for indoor use to provide a degree of protection to personnel against access to hazardous parts, also to provide a degree of protection for the equipment inside the enclosure against ingress of solid foreign objects and falling dirt, to provide a degree of protection with respect to harmful effects on the equipment due to the ingress of water, splashing water. Designed for use in standing or sitting position with single and dual access and top that opens for easy accessibility. For installation information, consult our installation manual at [www.saginawcontrol.com](http://www.saginawcontrol.com).

## Construction

- 0.075" stainless steel Type 304 & 316/316L.
- Seams continuously welded and ground smooth.
- 25 Degree Sloped top.
- Door props on sloped door to hold in the open position.
- Oil and water resistant gasket.
- Flange trough collar around all sides of door opening.
- Concealed hinges.
- Removable doors.
- Removable print pocket.
- Ground studs on door and body.
- Rubber pads with provision for leveling pads on bottom of enclosure.
- Black quarter turn latches on top door.
- Padlocking and keylocking black 3-point flush swing handle in front door of single access, front and rear doors on dual access.
- Mounting studs welded on interior back for mounting optional sub-panels on single access console.
- Mounting channels welded on sides of interior body for mounting optional sub-panels on dual access console.
- Mounting hardware included for (1) optional sub-panel.

## Options

Can be special ordered in Type 316/316L stainless steel.

## Finish

#4 brushed finish on all exterior surfaces. Optional sub-panels powder coated white.

## IS3 Industry Standards

NEMA Type 3R, 12 & Type 13  
UL Listed Type 3R & 12  
CSA Type 3R & 12  
IEC 60529 IP55

## IS6 Industry Standards

NEMA Type 3R, 4, 4X, 12 & Type 13  
UL Listed Type 3R, 4, 4X & 12  
CSA Type 3R, 4, 4X & 12  
IEC 60529 IP66

\*\*\*To maintain Type 3R listing, drainage is required. Install equally rated drainage device or drill a 1/8 to 1/4 inch hole in the bottom center of the enclosure, approximately 1 inch from the right, and 1 inch from the left for drainage, use listed rain-tight or wet location hubs. Drip shield over the door is recommended for all outdoor applications.

## 304 STAINLESS STEEL DESK CONSOLES

Enclosure Product Code S10					Sub-Panel (P3)		
Catalog no.	Height (A)	Width (B)	Depth (C)	Industry Standard	Catalog No.	Panel Height (D)	Panel Width (E)
<b>Single Access Single-Door</b>							
<a href="#">SCE-402516SDCSS</a>	40.25	25.25	15.5	IS6	<a href="#">SCE-30P24</a>	27.00	21.00
<a href="#">SCE-403716SDCSS</a>	40.25	37.25	15.5	IS6	<a href="#">SCE-36P30</a>	33.00	27.00
<a href="#">SCE-462519SDCSS</a>	46.25	25.25	18.5	IS6	<a href="#">SCE-36P24</a>	33.00	21.00
<a href="#">SCE-463719SDCSS</a>	46.25	37.25	18.5	IS3	<a href="#">SCE-36P36</a>	33.00	33.00
<b>Dual Access Single-Door</b>							
<a href="#">SCE-462519DCSS</a>	46.25	25.25	18.5	IS6	<a href="#">SCE-36P24</a>	33.00	21.00
<a href="#">SCE-463719DCSS</a>	46.25	37.25	18.5	IS3	<a href="#">SCE-36P36</a>	33.00	33.00
<b>Single Access Overlapping Two-Door</b>							
<a href="#">SCE-464919SDCSS</a>	46.25	49.25	18.5	IS3	<a href="#">SCE-48P36</a>	45.00	33.00
<a href="#">SCE-466019SDCSS</a>	46.25	59.88	18.5	IS3	<a href="#">SCE-60PC36</a>	55.63	33.00
<b>Dual Access Overlapping Two-Door</b>							
<a href="#">SCE-464919DCSS</a>	46.25	49.25	18.5	IS3	<a href="#">SCE-48P36</a>	45.00	33.00
<a href="#">SCE-466019DCSS</a>	46.25	59.88	18.5	IS3	<a href="#">SCE-60PC36</a>	55.63	33.00
<b>Dual Access Two-Door With Center Channel</b>							
<a href="#">SCE-464919DCCSS</a>	46.25	49.25	18.5	IS6	<a href="#">SCE-48P36</a>	45.00	33.00
<a href="#">SCE-466019DCCSS</a>	46.25	59.88	18.5	IS6	<a href="#">SCE-60PC36</a>	55.63	33.00

## 316 STAINLESS STEEL DESK CONSOLES

Enclosure Product Code S7					Sub-Panel (P3)		
Catalog no.	Height (A)	Width (B)	Depth (C)	Industry Standard	Catalog No.	Panel Height (D)	Panel Width (E)
<b>Single Access Single-Door</b>							
<a href="#">SCE-402516SDCSS6</a>	40.25	25.25	15.50	IS6	<a href="#">SCE-30P24</a>	27.00	21.00
<a href="#">SCE-403716SDCSS6</a>	40.25	37.25	15.50	IS3	<a href="#">SCE-36P30</a>	33.00	27.00
<a href="#">SCE-462519SDCSS6</a>	46.25	25.25	18.50	IS6	<a href="#">SCE-36P24</a>	33.00	21.00
<a href="#">SCE-463719SDCSS6</a>	46.25	37.25	18.50	IS3	<a href="#">SCE-36P36</a>	33.00	33.00
<b>Dual Access Single-Door</b>							
<a href="#">SCE-462519DCSS6</a>	46.25	25.25	18.50	IS6	<a href="#">SCE-36P24</a>	33.00	21.00
<a href="#">SCE-463719DCSS6</a>	46.25	37.25	18.00	IS3	<a href="#">SCE-36P36</a>	33.00	33.00
<b>Single Access Overlapping Two-Door</b>							
<a href="#">SCE-464919SDCSS6</a>	46.25	49.25	18.50	IS3	<a href="#">SCE-48P36</a>	45.00	33.00
<a href="#">SCE-466019SDCSS6</a>	46.25	59.88	18.50	IS3	<a href="#">SCE-60PC36</a>	55.63	33.00
<b>Dual Access Overlapping Two-Door</b>							
<a href="#">SCE-464919DCSS6</a>	46.25	49.25	18.50	IS3	<a href="#">SCE-48P36</a>	45.00	33.00
<a href="#">SCE-466019DCSS6</a>	46.25	59.88	18.50	IS3	<a href="#">SCE-60PC36</a>	55.63	33.00
<b>Dual Access Two-Door With Center Channel</b>							
<a href="#">SCE-464919DCCSS6</a>	46.25	49.25	18.50	IS6	<a href="#">SCE-48P36</a>	45.00	33.00
<a href="#">SCE-466019DCCSS6</a>	46.25	59.88	18.50	IS6	<a href="#">SCE-60PC36</a>	55.63	33.00

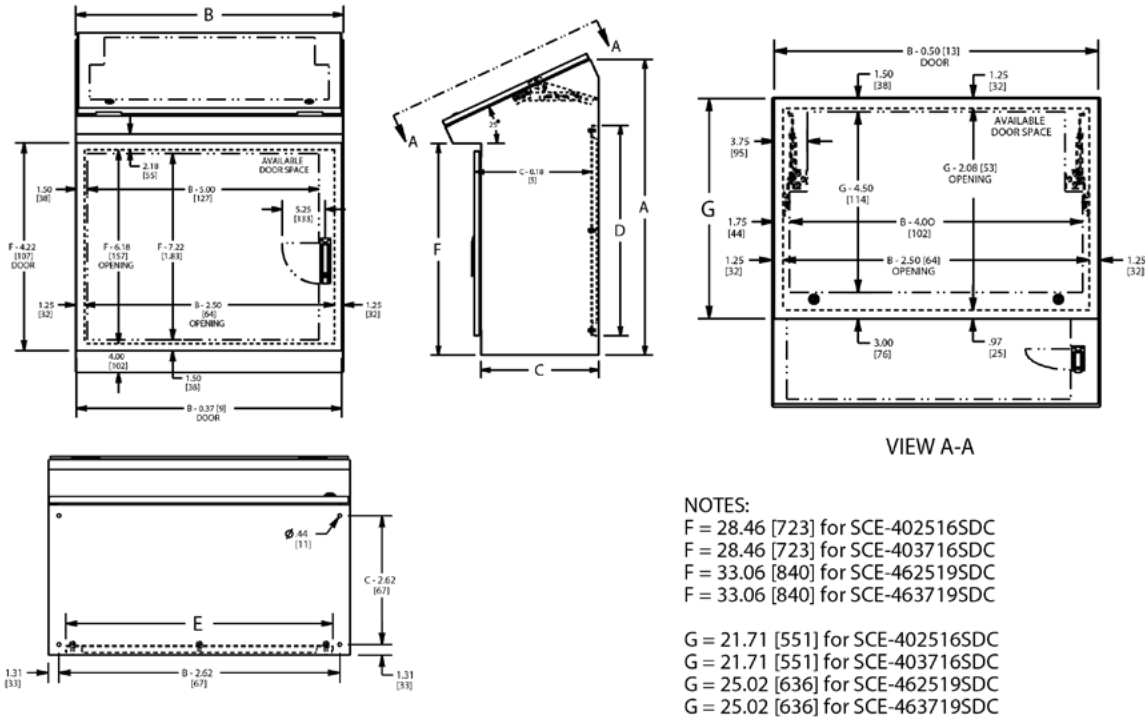




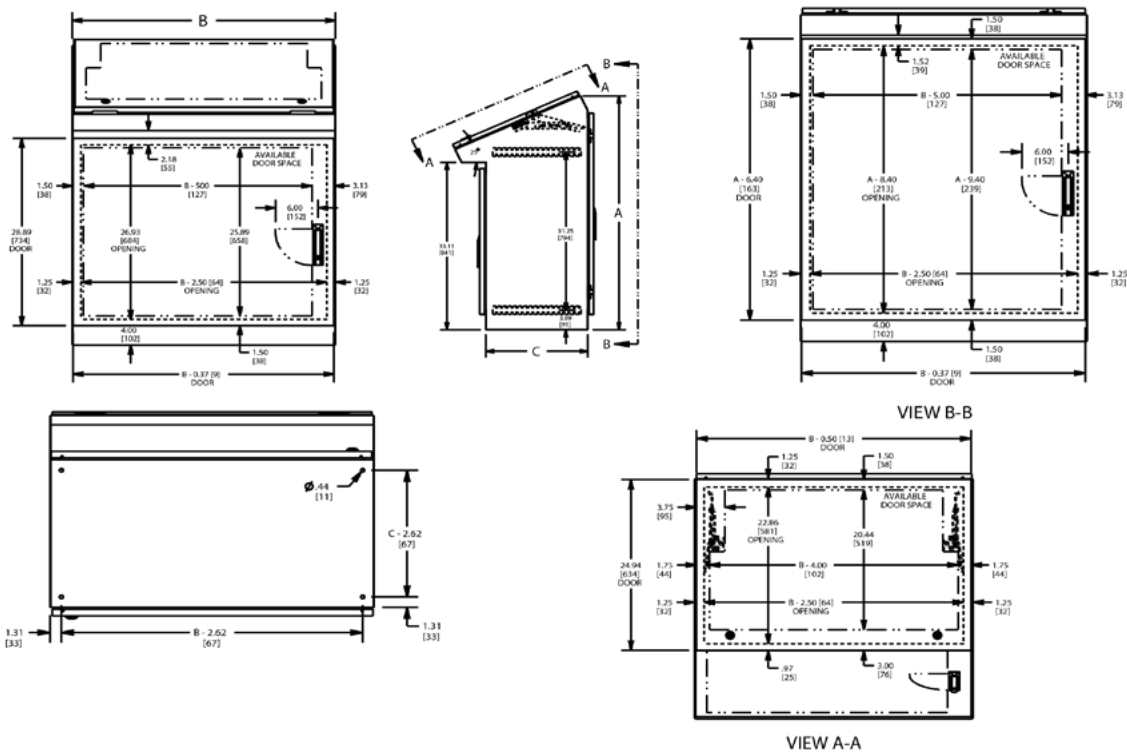
# STAINLESS STEEL DESK CONSOLES

## TECHNICAL DATA

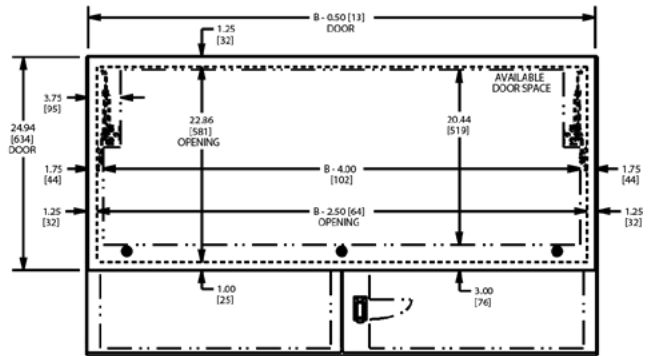
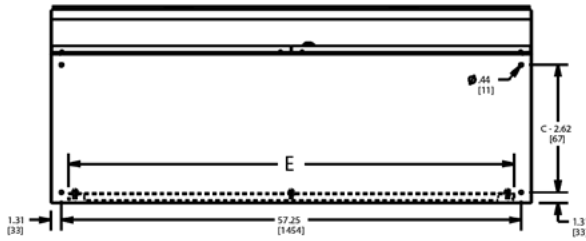
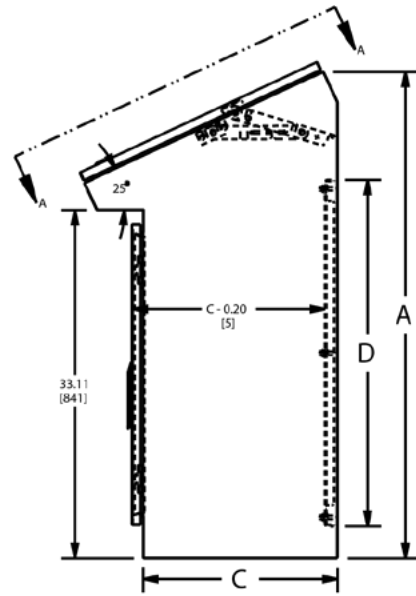
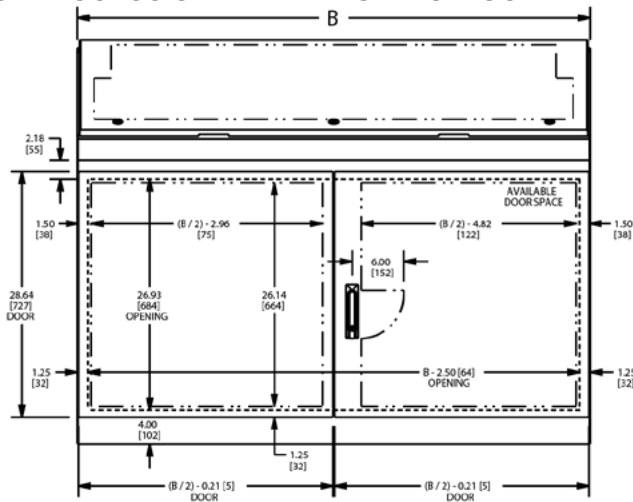
### SINGLE ACCESS SINGLE-DOOR



### DUAL ACCESS SINGLE-DOOR

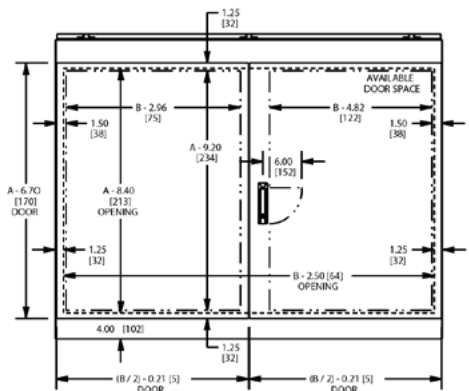
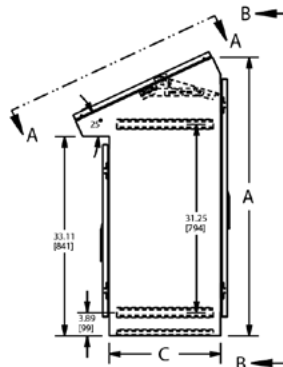
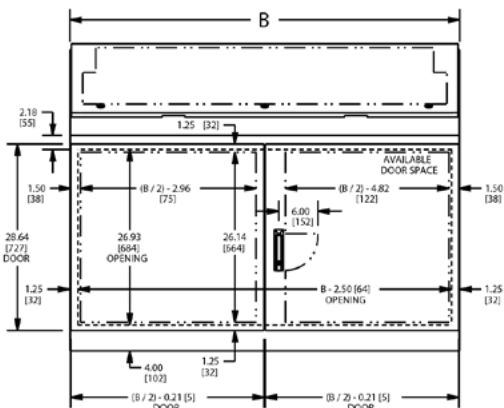


# SINGLE ACCESS OVERLAPPING TWO-DOOR

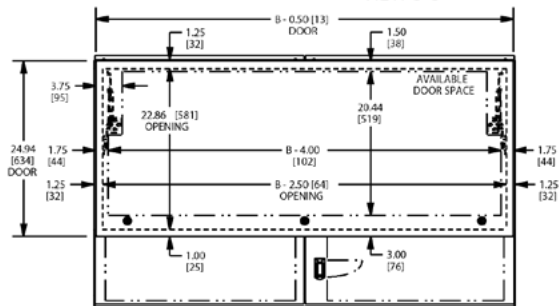
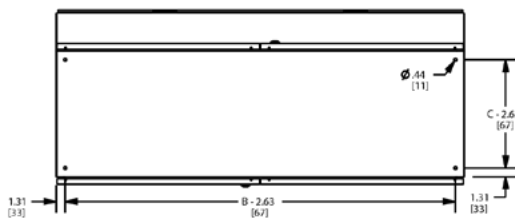


VIEW A-A

# DUAL ACCESS OVERLAPPING TWO-DOOR

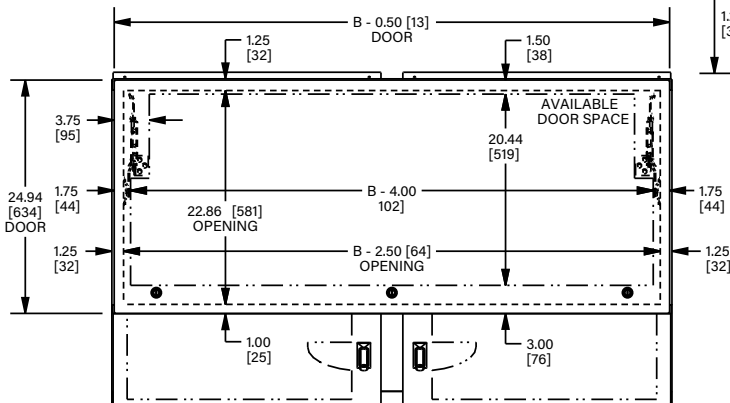
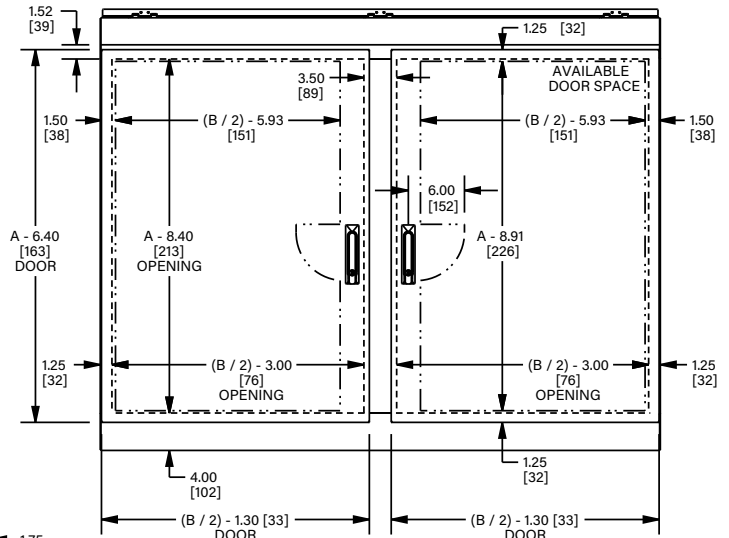
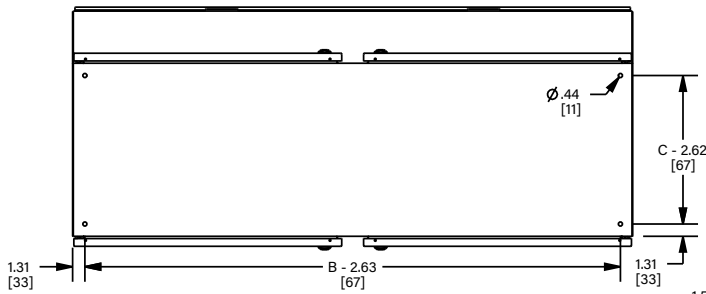
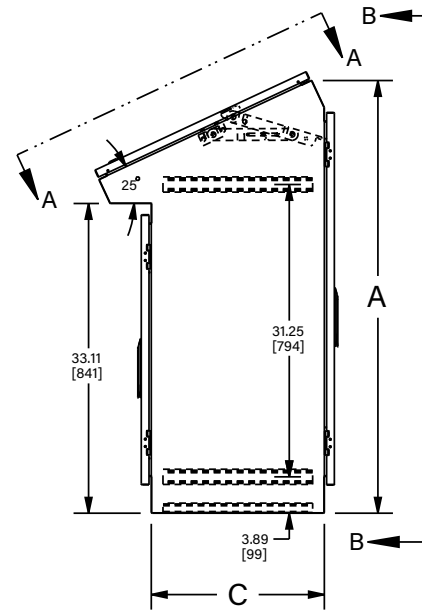
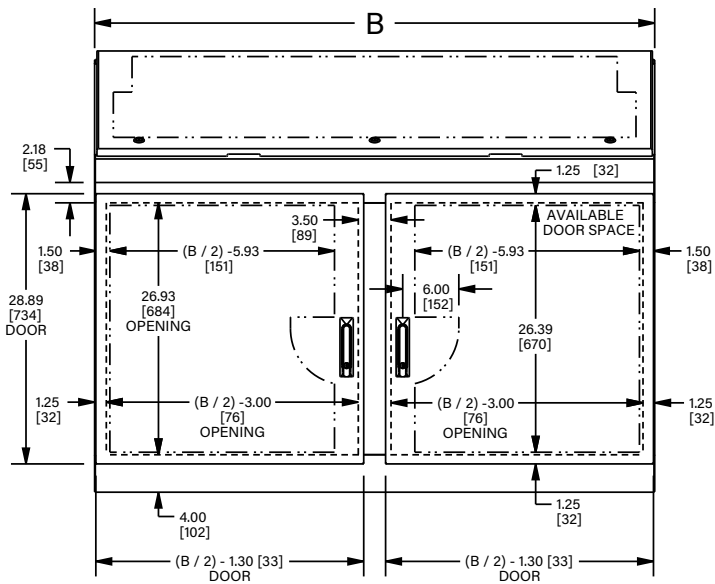


VIEW B-B



VIEW A-A

# DUAL ACCESS TWO-DOOR WITH CENTER CHANNEL



VIEW B-B

VIEW A-A

# STAINLESS STEEL WORK STATION

## Application

Designed to house a computer, keyboard, monitor and other additional computer equipment in an industrial environment and provide degree of protection from dust, oil and moisture. Stainless steel work stations resist corrosion. For installation information, consult our installation manual at [www.saginawcontrol.com](http://www.saginawcontrol.com).

## Construction

- 0.075" stainless steel Type 304.
- Seams continuously welded and ground smooth.
- Pour in place oil and water resistant gasket.
- Flange trough collar around all sides of door opening.
- Concealed hinges.
- Removable doors.
- Ground studs on door and body.
- Large polycarbonate viewing window in top door.
- Lifting eyes for easy handling.
- Rubber pads with provision for leveling pads on bottom of enclosure.
- Black quarter turn latches on top door.
- Black quarter turn wing knob latches on keyboard door.
- Padlocking and keylocking black 3-point flush swing handle in lower front and back doors.
- Gland plate on lower back of enclosure.
- Pullout keyboard shelf with attached self storing mouse shelf and mouse pad.
- Mounting channels welded on sides of interior body for mounting optional sub-panels, racks, mounting angles and shelves.

## Notes

Optional sub-panels and accessories available, see pages 234-240

## Options

- Optional tamper-resistant inserts or padlocking handles are available.
- Can be special ordered in Type 316/316L stainless steel.

## Finish

#4 brushed finish on all exterior surfaces

## IS1 Industry Standards

NEMA Type 12 & Type 13

UL Listed Type 12

CSA Type 12

IEC 60529 IP55

\*\*\*To maintain Type 3R listing, drainage is required. Install equally rated drainage device or drill a 1/8 to 1/4 inch hole in the bottom center of the enclosure, approximately 1 inch from the right, and 1 inch from the left for drainage, use listed rain-tight or wet location hubs. Drip shield over the door is recommended for all outdoor applications.

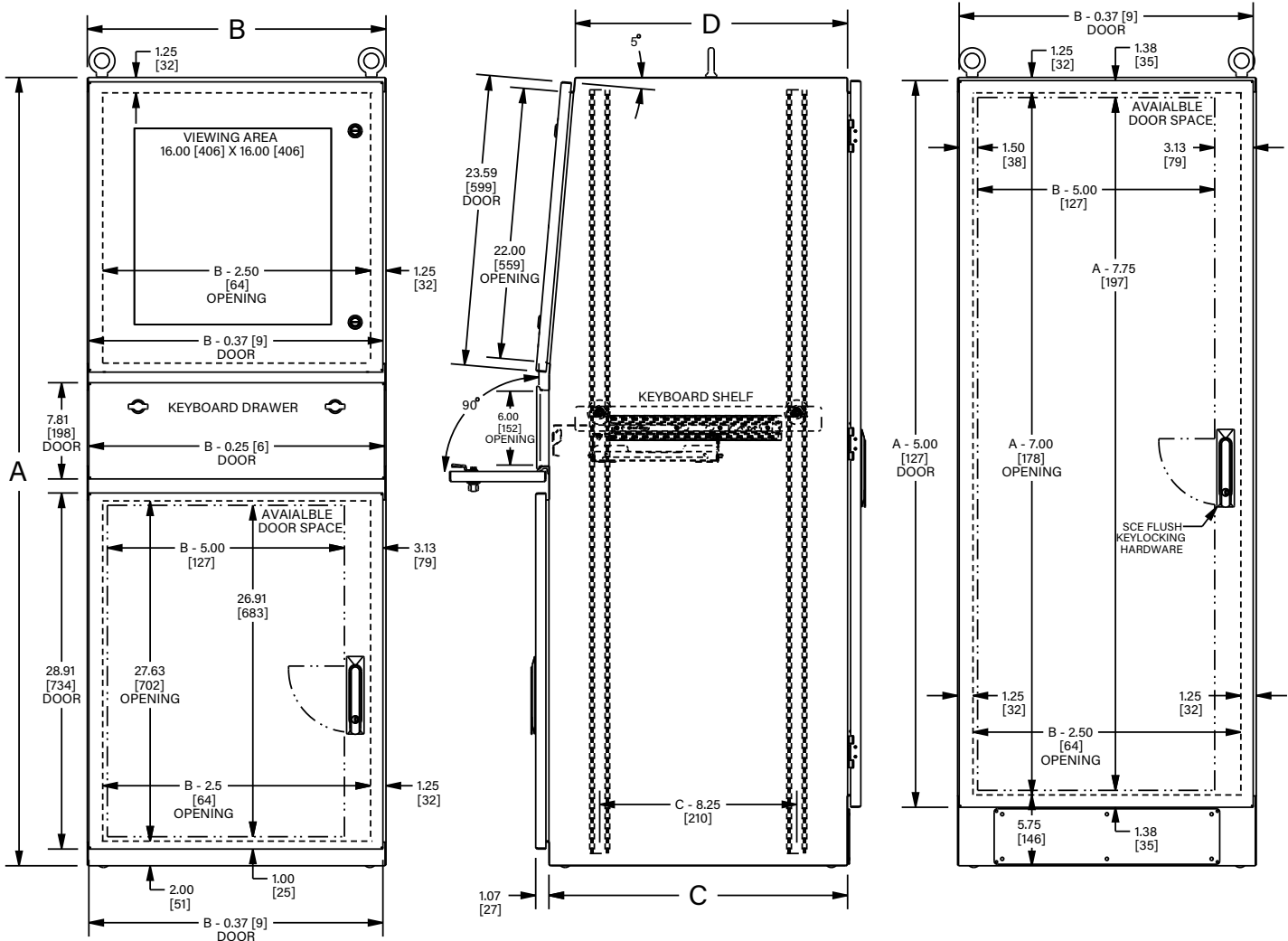
Enclosure Product Code S3

Catalog No.	Height (A)	Width (B)	Depth (C)	Top Size (D)	Industry Standard
<a href="#">SCE-642424SSWS</a>	64.00	24.25	24.25	22.15	IS1
<a href="#">SCE-642432SSWS</a>	64.00	24.25	32.25	29.90	IS1



# STAINLESS STEEL WORK STATION

## TECHNICAL DATA



Enclosure Product Code S3

Catalog No.	Height (A)	Width (B)	Depth (C)	Top Size (D)	Industry Standard
<a href="#">SCE-342424SSWS</a>	34.00	24.25	24.25	22.15	IS5

## Application

Designed to house a computer, keyboard, monitor and other additional computer equipment in an industrial environment and provide degree of protection from dust, oil and moisture. Stainless steel work stations resist corrosion. For installation information, consult our installation manual at [www.saginawcontrol.com](http://www.saginawcontrol.com).

## Construction

- 0.075" stainless steel Type 304.
- Seams continuously welded and ground smooth.
- Pour in place oil and water resistant gasket.
- Flange trough collar around all sides of door opening.
- Concealed hinges.
- Removable doors.
- Ground studs on door and body.
- Large polycarbonate viewing window.
- Lifting eyes for easy handling.
- Black quarter turn latches on top door.
- Black quarter turn wing knob latches on keyboard door.
- Padlocking and keylocking black 3-point flush swing handle in back door.
- Pullout keyboard shelf with attached self storing mouse shelf and mouse pad.
- Mounting channels welded on sides of interior body for mounting optional sub-panels, racks, mounting angles and shelves.

## Notes

Optional sub-panels and accessories available, see pages 234-240

## Options

- Optional tamper-resistant inserts or padlocking handles are available.
- Can be special ordered in Type 316/316L stainless steel.

## Finish

#4 brushed finish on all exterior surfaces

## IS5 Industry Standards

NEMA Type 4, 4X, 12 & Type 13

UL Listed Type 4, 4X & 12

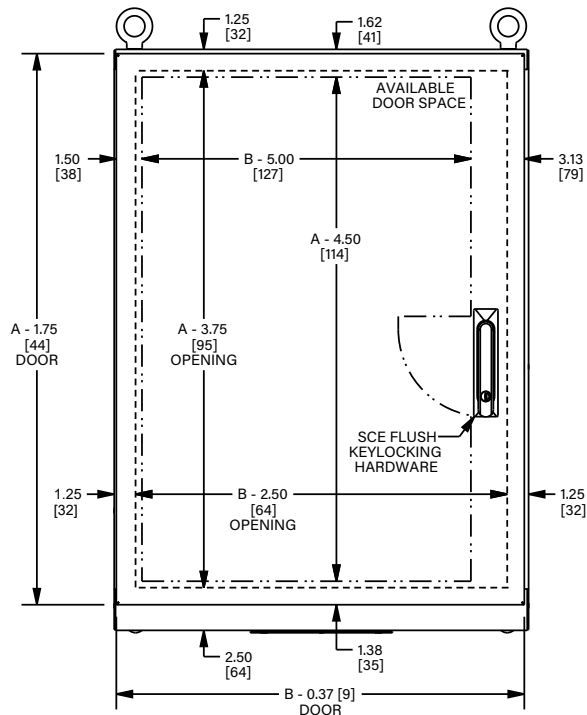
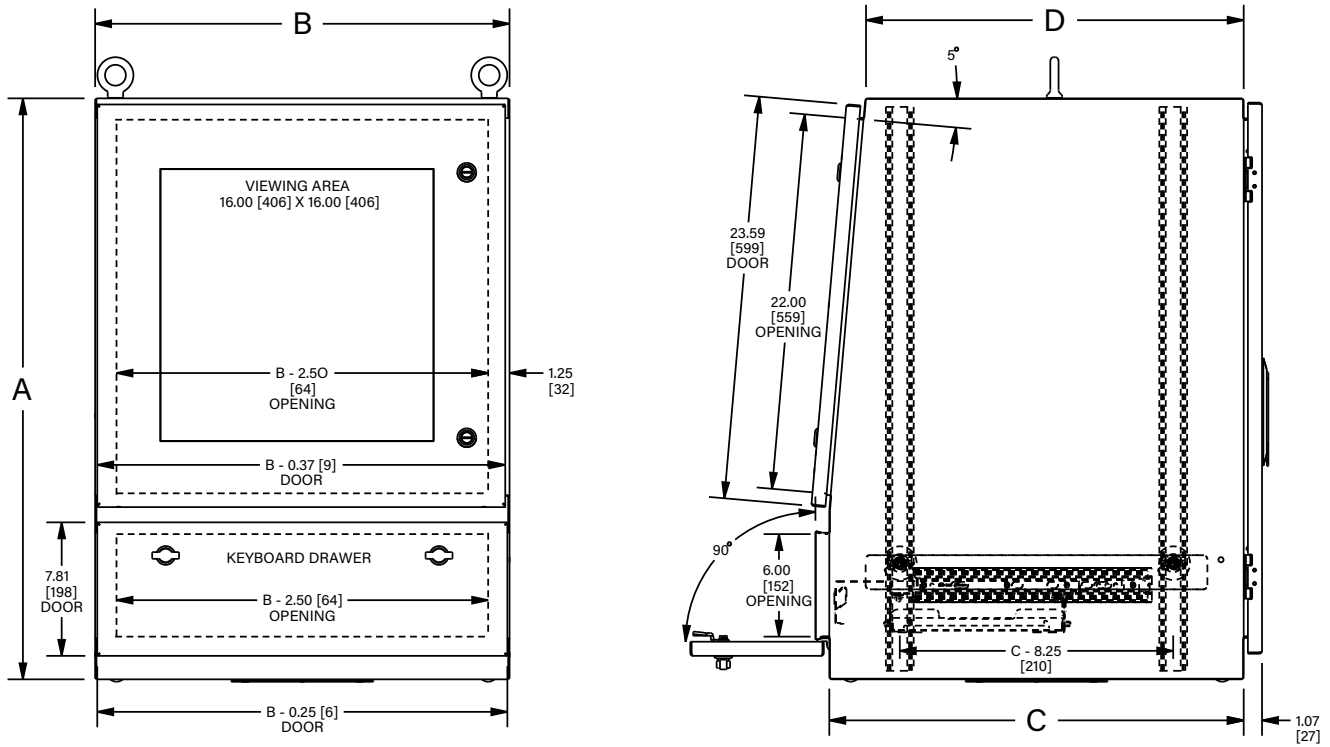
CSA Type 4, 4X & 12

IEC 60529 IP66

\*\*\*To maintain Type 3R listing, drainage is required. Install equally rated drainage device or drill a 1/8 to 1/4 inch hole in the bottom center of the enclosure, approximately 1 inch from the right, and 1 inch from the left for drainage, use listed rain-tight or wet location hubs. Drip shield over the door is recommended for all outdoor applications.



# STAINLESS STEEL PEDESTAL MOUNT/DESKTOP WORK STATION TECHNICAL DATA



# STAINLESS STEEL SLOPE TOP WORK STATION

## Application

Designed to house a computer, keyboard, monitor and other additional computer equipment in an industrial environment or an environment which may be regularly hosed down or in very wet or oily conditions. Provides protection from dust, dirt, water and oil. Stainless steel work stations resist corrosion. For installation information, consult our installation manual at [www.saginawcontrol.com](http://www.saginawcontrol.com).

## Construction

- 0.075" stainless steel Type 304.
- Seams continuously welded and ground smooth.
- 15 degree sloped top.
- 12.5 degree sloped keyboard desk.
- Pour in place oil and water resistant gasket.
- Flange trough collar around all sides of door opening.
- Concealed hinges.
- Removable doors.
- Ground studs on door and body.
- Large polycarbonate viewing window in top door.
- Lifting eyes for easy handling.
- Rubber pads with provision for leveling pads on bottom of enclosure.
- Black quarter turn latches on top door.
- Padlocking and keylocking black 3-point flush swing handle in lower front and back doors.
- Gland plate on lower back of enclosure.
- Mounting channels welded on sides of interior body for mounting optional sub-panels, racks, mounting angles and shelves.
- Provisions for Monitor Mounting System.
- Pencil edge palm rest.

## Options

Can be special ordered in Type 316/316L stainless steel.

## Notes

Optional sub-panels and accessories available, see pages 234-240

## Finish

#4 brushed finish on all exterior surfaces

## IS1 Industry Standards

NEMA Type 12 & Type 13

UL Listed Type 12

CSA Type 12

IEC 60529 IP55

\*\*\*To maintain Type 3R listing, drainage is required. Install equally rated drainage device or drill a 1/8 to 1/4 inch hole in the bottom center of the enclosure, approximately 1 inch from the right, and 1 inch from the left for drainage, use listed rain-tight or wet location hubs. Drip shield over the door is recommended for all outdoor applications.

Enclosure Product Code S3

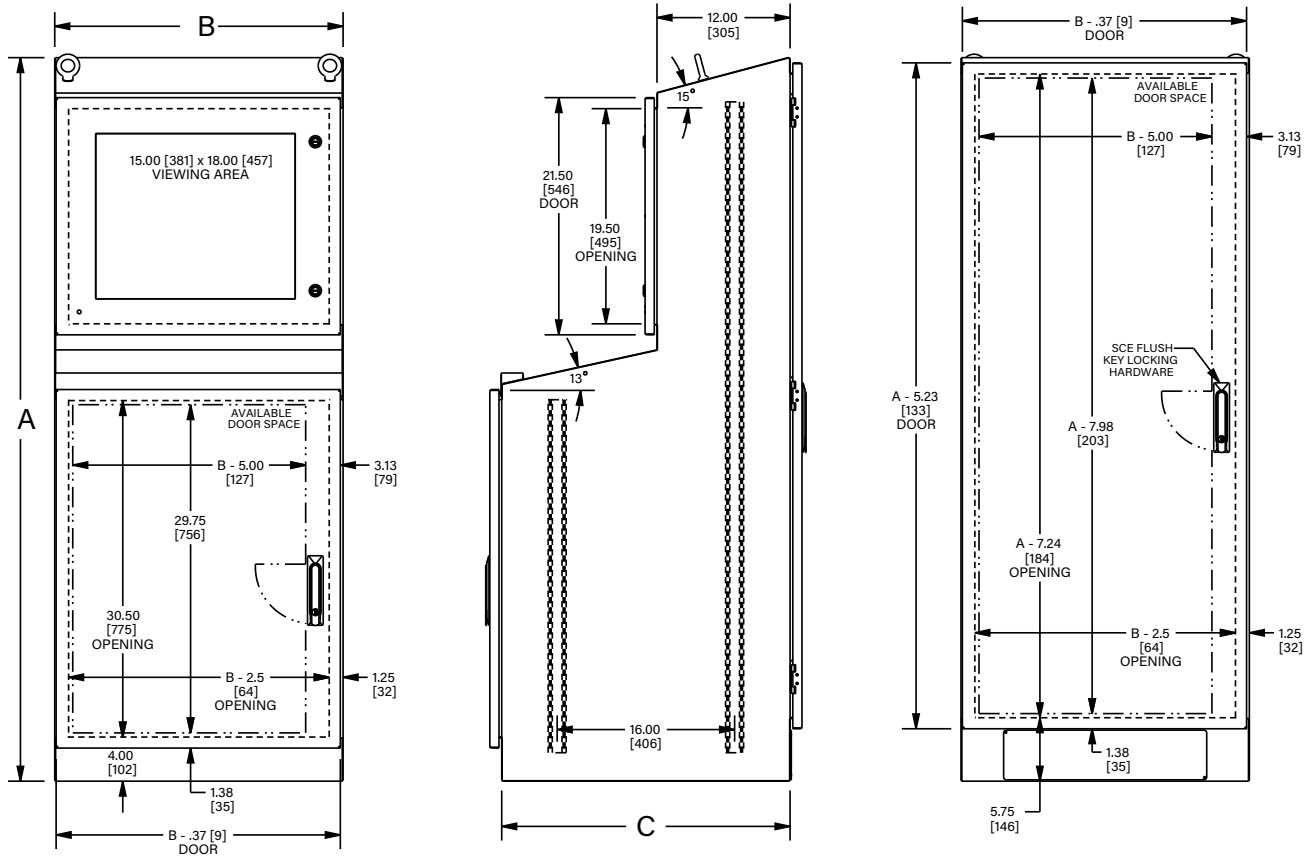
Catalog No.	Height (A)	Width (B)	Depth (C)	Industry Standard
<a href="#">SCE-66ST2626SSWS</a>	65.59	26.00	26.00	IS1





# STAINLESS STEEL SLOPE TOP WORK STATION

## TECHNICAL DATA



# WORK STATION ACCESSORY SELECTION GUIDE

Part Number	Description								
		SCE-642424WS	SCE-642424SSWS	SCE-642432WS	SCE-642432SSWS	SCE-342424WS	SCE-342424SSWS	SCE-665T2626WS	SCE-665T2626SSWS
<a href="#">SCE-20POS</a>	Pullout Shelf	•	•			•	•		
<a href="#">SCE-22POS</a>	Pullout Shelf							•	•
<a href="#">SCE-26POS</a>	Pullout Shelf			•	•				
<a href="#">SCE-22VEPOS</a>	Vented Pullout Shelf							•	•
<a href="#">SCE-20STS</a>	Stationary Shelf	•	•			•	•		
<a href="#">SCE-22STS</a>	Stationary Shelf							•	•
<a href="#">SCE-26STS</a>	Stationary Shelf			•	•				
<a href="#">SCE-20VESTS</a>	Vented Stationary Shelf	•	•			•	•		
<a href="#">SCE-22VESTS</a>	Vented Stationary Shelf							•	•
<a href="#">SCE-26VESTS</a>	Vented Stationary Shelf			•	•				
<a href="#">SCE-8STS</a>	Monitor Shelf							•	•
<a href="#">SCE-8VESTS</a>	Vented Monitor Shelf							•	•
<a href="#">SCE-STMMK</a>	Monitor Mounting Bracket	•	•	•	•			•	•
<a href="#">SCE-60RA19WS</a>	Type RA Top Rack Angle	•	•	•	•	•	•		SCE-CN1032
<a href="#">SCE-60RA24WS</a>	Type RA Bottom Rack Angle	•	•	•	•				SCE-CN1032
<a href="#">SCE-60RP19WS</a>	Type RP Top Rack Angle	•	•	•	•	•	•		SCE-CN1032
<a href="#">SCE-60RP24F6</a>	Type RP Bottom Rack Angle	•	•	•	•				SCE-CN1032
<a href="#">SCE-STWSPL</a>	Pencil Edge/Palm Rest							•	Qty. 1 Included
<a href="#">SCE-STWSPLSS</a>	Pencil Edge/Palm Rest								•
<a href="#">SCE-PSK24</a>	Panel Support	•	•			•	•	•	•
<a href="#">SCE-PSK32</a>	Panel Support			•	•				
<a href="#">SCE-60P24WS</a>	Side Mount Plate	•	•			•	•	•	•
<a href="#">SCE-60P32WS</a>	Side Mount Plate			•	•				
<a href="#">SCE-SB18</a>	Support Bracket	•	•	•	•	•	•		Type RA Rack Angles
<a href="#">SCE-LPD2</a>	Leveling Pad	•	•	•	•	•	•	•	
<a href="#">SCE-STWBTD</a>	Blank Top Door							•	
<a href="#">SCE-STWSSBTD</a>	Blank Top Door - Stainless Steel								•
<a href="#">SCE-WSBTD</a>	Blank Top Door	•		•		•			
<a href="#">SCE-WSSBTD</a>	Blank Top Door - Stainless Steel		•		•		•		
<a href="#">SCE-PE22</a>	Pedestal					•			
<a href="#">SCE-PE22SS</a>	Pedestal - Stainless Steel						•		
<a href="#">SCE-24PEBASE</a>	Pedestal Base					•			
<a href="#">SCE-24PEBASESS</a>	Pedestal Base - Stainless Steel						•		
<a href="#">SCE-P2424WS</a>	Plinth Base	•				•			
<a href="#">SCE-P2432WS</a>	Plinth Base			•					
<a href="#">SCE-P2626WS</a>	Plinth Base							•	
<a href="#">SCE-P2424SSWS</a>	Plinth Base - Stainless Steel		•				•		
<a href="#">SCE-P2432SSWS</a>	Plinth Base - Stainless Steel				•				
<a href="#">SCE-P2626SSWS</a>	Plinth Base - Stainless Steel								•
<a href="#">SCE-KBH</a>	Keyboard Housing	•	•	•	•	•	•		
<a href="#">SCE-WSCC</a>	Control Compartment	•		•		•			
<a href="#">SCE-WSCCSS</a>	Control Compartment - Stainless Steel		•		•		•		
<a href="#">SCE-KBS</a>	Keyboard Shelf	•	•	•	•	•	•		Qty. 1 Included

# WORK STATION ACCESSORIES

## PULLOUT SHELF

Catalog No.	Height (A)	Width (B)	Depth (C)	Used in Enclosure Depth	Product Code
<a href="#">SCE-20POS</a>	2.00	19.50	20.00	24.25	C2
<a href="#">SCE-22POS</a>	2.00	21.25	22.00	26.00	C2
<a href="#">SCE-26POS</a>	2.00	19.50	28.00	32.25	C2

Pullout shelves are designed to allow easy access to the back of equipment. Extends 19" and mounts between the mounting channels provided inside the work station. Slides are included with shelf. Made of heavy gauge steel and powder coated white. Mounting hardware is included.



## VENTED PULLOUT SHELF

Catalog No.	Height (A)	Width (B)	Depth (C)	Used in Enclosure Depth	Product Code
<a href="#">SCE-22VEPOS</a>	2.00	21.25	22.00	26.00	C2

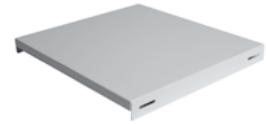
Vented pullout shelves are designed to allow easy access to the back of equipment and to allow air circulation inside the work station. Extends 19" and mounts between the mounting channels provided inside the work station. Slides are included with the shelf. Made of heavy gauge steel and powder coated white. Mounting hardware is included.



## STATIONARY SHELF

Catalog No.	Height (A)	Width (B)	Depth (C)	Used in Enclosure Depth	Product Code
<a href="#">SCE-20STS</a>	2.00	22.00	20.00	24.25	C2
<a href="#">SCE-22STS</a>	2.00	23.75	22.00	26.00	C2
<a href="#">SCE-26STS</a>	2.00	22.00	28.00	32.25	C2

Designed to support monitors, PC's, printers or any other equipment. Mounts between the mounting channels provided inside the work station. Made of heavy gauge steel and powder coated white. Mounting hardware is included.



## VENTED STATIONARY SHELF

Catalog No.	Height (A)	Width (B)	Depth (C)	Used in Enclosure Depth	Product Code
<a href="#">SCE-20VESTS</a>	2.00	22.00	20.00	24.25	C2
<a href="#">SCE-22VESTS</a>	2.00	23.75	22.00	26.00	C2
<a href="#">SCE-26VESTS</a>	2.00	22.00	28.00	32.25	C2

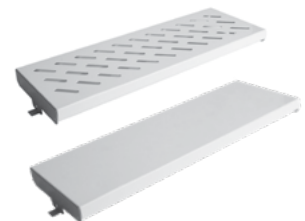
Designed to support monitors, PC's, printers or any other equipment while allowing air circulation inside the work station. Mounts between the mounting channels provided inside the work station. Made of heavy gauge steel and powder coated white. Mounting hardware is included.



## MONITOR SHELF NON-VENTED & VENTED

Catalog No.	Description	Height (A)	Width (B)	Depth (C)	Product Code
<a href="#">SCE-8STS</a>	Non-Vented	1.50	23.75	8.00	C2
<a href="#">SCE-8VESTS</a>	Vented	1.50	23.75	8.00	C2

Designed to support the monitor or other components in the upper section of the work station. Vented shelf allows air circulation inside the work station. Made of heavy gauge steel and powder coated white. Mounting hardware is included.



# WORK STATION ACCESSORIES

## MONITOR MOUNTING SYSTEM

Catalog No.	Product Code
-------------	--------------

[SCE-STMMK](#)

C2

Designed for direct mounting of a flat screen monitor to the Work Station window door. Can be used with Standard Work Station or Slope Top Workstation. Made of steel and black texture powder coated. Mounting hardware is included.



## RACK MOUNTING ANGLE (TYPE RA) - "U-SHAPE"

Catalog No.	Length	Mounting Location	Qty Per Kit	Product Code
-------------	--------	-------------------	-------------	--------------

[SCE-60RA19WS](#)

19.25

Top

2

C2

[SCE-60RA24WS](#)

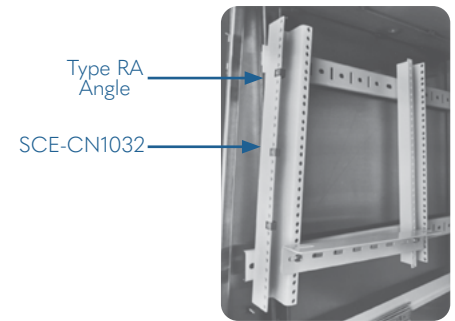
28.00

Bottom

2

C2

Designed for mounting 19" rack mount equipment. Order clip nut package (CN1032) to provide tapped holes. Made of heavy gauge steel and powder coated white. Mounting hardware is included.



## RACK MOUNTING ANGLE (TYPE RP) - "L-SHAPE"

Catalog No.	Length	Mounting Location	Qty Per Kit	Product Code
-------------	--------	-------------------	-------------	--------------

[SCE-60RP19WS](#)

19.25

Top

2

C2

[SCE-60RP24F6](#)

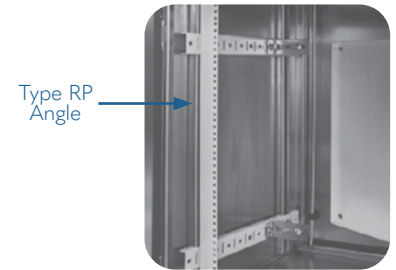
26.25

Bottom

2

P2

Designed for mounting 19" rack mount equipment. Order clip nut package (SCE-CN1032) to provide tapped holes. Made of heavy gauge steel and powder coated white. Mounting hardware is included.



## PENCIL EDGE/PALM REST

Catalog No.	Height (A)	Width (B)	Depth (C)	Product Code
-------------	------------	-----------	-----------	--------------

[SCE-STWSPL](#)

0.56

26.00

2.00

C2

[SCE-STWSPLSS](#)

0.56

23.00

2.00

C2

Designed as a palm rest or retainer for the keyboard surface of the work station. Made of heavy gauge steel and powder coated white. "SS" part made of Type 304 stainless steel with #4 brushed finish. Mounting hardware is included.



# WORK STATION ACCESSORIES

## PANEL SUPPORT

Catalog No.	Height (A)	Width (B)	Depth (C)	Depth (D)	Qty Per Kit	Product Code
<a href="#">SCE-PSK24</a>	2.00	0.50	21.00	24.25	4	C2
<a href="#">SCE-PSK32</a>	2.00	0.50	29.00	32.25	4	C2

Panel supports can be installed horizontally to the left and right side of enclosure. Allows easy installation of optional panels or (RA) and (RP) type rack mounting angles to make them adjustable from front to back of the enclosure. Made of heavy gauge steel with a white powder coat finish. Mounting hardware is included.



## SIDE MOUNT PLATE

Catalog No.	Height (A)	Width (B)	Used in Enclosure Depth	Product Code
SCE-60P24WS	12.00	17.50	24.25	C2
SCE-60P32WS	12.00	25.50	32.25	C2

Designed to provide extra mounting space on the sides of the enclosure. Can be securely attached to the mounting channels. Mounting hardware is included. Made of heavy gauge steel and powder coated white.



## CLAMPING NUTS

Catalog No.	Qty Per Kit	Product Code
<a href="#">SCE-CN1032</a>	20	P2

Clamping nuts with a #10-32 retained nut will fit all rack mounting angles and rack mounting frames, to provide tapped holes. Nuts are zinc plated.



# WORK STATION ACCESSORIES

## INDIVIDUAL PANEL SUPPORTS

Catalog No.	Notes	Product Code
<a href="#">SCE-FSPS4</a>	Set of 4	P2
<a href="#">SCE-FSPS6</a>	Set of 6	P2
<a href="#">SCE-FSPS8</a>	Set of 8	P2

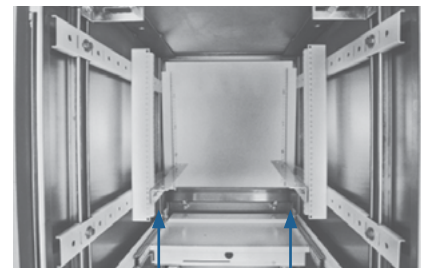
Individual Panel Supports are available for mounting sub-panels. Packaged in sets with all mounting hardware included. Made of heavy gauge steel and plated.



## SUPPORT BRACKET

Catalog No.	Height (A)	Width (B)	Depth (C)	Qty Per Kit	Product Code
<a href="#">SCE-SB18</a>	2.00	2.00	15.00	2	C2

Equipment support brackets help support rack mounted equipment during installation. The support mounts between two pair of type (RA) rack mounting angles. Slotted holes are provided to allow adjustment. Made of heavy gauge steel and powder coated white. Mounting hardware is included.



Brackets

## CHANNEL NUTS

Catalog No.	Description	Qty Per Kit	Product Code
<a href="#">SCE-PS3816CN</a>	3/8 - 16 Strut Nut	20	P2
<a href="#">SCE-PS1420CN</a>	1/4 - 20 Strut Nut	20	P2

Designed to allow mounting of additional equipment to side channels. Zinc plated.



SCE-PS1420CN



SCE-PS3816CN

## LEVELING PADS

Catalog No.	Thread Size	Height	Qty Per Kit	Product Code
<a href="#">SCE-LPD2</a>	3/8 - 16	2.00	4	P2

Designed to attach to the bottom of the enclosure in the existing threaded holes. Allows for adjustments for uneven floors. Pads are zinc plated with a plastic base. Mounting hardware is included.



# WORK STATION ACCESSORIES

## BLANK TOP DOOR

Catalog No.	Height (A)	Width (B)	Finish	Product Code
<a href="#">SCE-STWBTD</a>	21.50	25.63	White	C2
<a href="#">SCE-STWSSBTD</a>	21.50	25.63	Stainless Steel	C2
<a href="#">SCE-WSBTD</a>	23.60	23.86	RAL 7035 Gray	C2
<a href="#">SCE-WSSBTD</a>	26.59	23.88	Stainless Steel	C2

Designed to replace the top door when cutouts are desired. Pour in place oil and water resistant gasket. Installed by removing hinge pin. Black quarter turn latches. Made of heavy gauge steel and powder coated. "SS" door is made of Type 304 stainless steel with #4 brushed finish. Mounting hardware is included.



## PEDESTAL

Catalog No.	Height (A)	Width (B)	Depth (C)	Finish	Product Code
<a href="#">SCE-PE22</a>	21.38	8.00	8.00	RAL 7035 Gray	C2
<a href="#">SCE-PE22SS</a>	21.38	8.00	8.00	Stainless Steel	C2

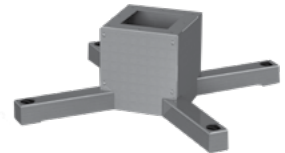
Designed to allow desktop work stations to be floor-mounted. Gasket and hardware provided to attach to work station. Made of heavy gauge steel and powder coated RAL 7035 gray. "SS" pedestal is made of Type 304 stainless steel.



## PEDESTAL BASE

Catalog No.	Height (A)	Width (B)	Depth (C)	Finish	Product Code
<a href="#">SCE-24PEBASE</a>	10.00	24.00	24.00	RAL 7035 Gray	C2
<a href="#">SCE-24PEBASESS</a>	10.00	24.00	24.00	Stainless Steel	C2

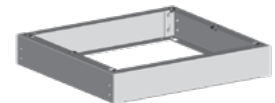
Designed to mount pedestal to the floor. Made of heavy gauge steel and powder coated RAL 7035 gray. "SS" base is made of Type 304 stainless steel. Mounting hardware is included.



## WORK STATION PLINTH BASE

Catalog No.	Height (A)	Width (B)	Depth (C)	Product Code
<a href="#">SCE-P2424WS</a>	4.00	24.25	24.25	P2
<a href="#">SCE-P2432WS</a>	4.00	32.25	24.25	P2
<a href="#">SCE-P2626WS</a>	4.00	26.00	26.00	P2
<b>Stainless Steel</b>				
<a href="#">SCE-P2424SSWS</a>	4.00	24.25	24.25	P2
<a href="#">SCE-P2432SSWS</a>	4.00	32.25	24.25	P2
<a href="#">SCE-P2626SSWS</a>	4.00	26.00	26.00	P2

Designed to install under an enclosure to provide space for cables to enter from below and raise the enclosure up off the floor. Plinth bases are stackable to acquire desired height off the floor. Made of heavy gauge steel and finished with black textured powder coat. "SS" parts are made of type 304 stainless steel with #4 brushed finish.



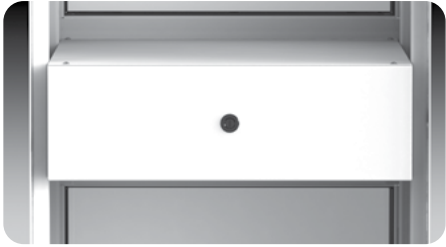
# WORK STATION ACCESSORIES

## KEYBOARD HOUSING

Catalog No.	Height (A)	Width (B)	Depth (C)	Product Code
-------------	------------	-----------	-----------	--------------

<a href="#">SCE-KBH</a>	7.00	21.90	22.38	C2
-------------------------	------	-------	-------	----

Provides protection from dust, dirt, oil and water for interior components when keyboard drawer is open. Mounts to mounting channels. Keyboard shelf with slides is mounted inside the housing. Hole grommet in rear provided for cords. Powder coated white. Mounting hardware is included.



## CONTROL COMPARTMENT

Catalog No.	Height (A)	Width (B)	Depth (C)	Finish	Product Code
-------------	------------	-----------	-----------	--------	--------------

<a href="#">SCE-WSCC</a>	8.00	24.25	14.50	RAL 7035 Gray	C2
--------------------------	------	-------	-------	---------------	----

<a href="#">SCE-WSCCSS</a>	8.00	24.25	14.50	Stainless Steel	C2
----------------------------	------	-------	-------	-----------------	----

Designed to be mounted to the front of the work station when installation of pushbuttons or control panels is desired. Installed after removing the pullout keyboard drawer and door. Can be installed with the flat or sloped surface facing up. 20 degree slope on sloped surface. Gasket and mounting hardware included. Made of heavy gauge steel and powder coated RAL 7035 gray. "SS" part is made of Type 304 stainless steel with #4 brushed finish.



## PULLOUT KEYBOARD DRAWER

Catalog No.	Height (A)	Width (B)	Depth (C)	Used in Enclosure Depth	Product Code
-------------	------------	-----------	-----------	-------------------------	--------------

<a href="#">SCE-KBS</a>	3.00	20.00	14.00	24.25	P2
-------------------------	------	-------	-------	-------	----

<a href="#">SCE-KBS32</a>	3.00	20.00	14.00	32.25	P2
---------------------------	------	-------	-------	-------	----

Designed to hold a keyboard and mouse on a separate pullout shelf. Mounts between mounting channels. Made of heavy gauge steel with a white powder coat finish. A mouse pad is included. Drawer is included with work station. Mounting hardware is included.







*Your Enclosure Source*®

# NOTES

# STAINLESS STEEL HMI ENCLOSURES

## Application

Designed to house Human-Machine Interfaces (HMI) and electrical and electronic controls, instruments and components. Provides a degree of protection from dust, oil and water.

## Construction

- 0.075" stainless steel Type 304.
- Seams continuously welded and ground smooth.
- Reinforced with mounting provisions for suspension or pedestal mounting.
- Concealed hinge access door with provisions for sub-panel.
- Removable front cover for easy installation of cutouts, HMI and components.
- Pour in place oil and water resistant gasket.
- Black quarter turn latches.
- Latches are opened or closed with a screwdriver.
- Ground studs on door and body.

## Finish

#4 brushed finish on all exterior surfaces. Optional sub-panels powder coated white.

## Options

- Tamper-resistant latches
- Pull handles
- Keyboard Shelf

## IS6 Industry Standards

NEMA Type 3R, 4, 4X, 12 & Type 13  
 UL Listed Type 3R, 4, 4X & 12  
 CSA Type 3R, 4, 4X & 12  
 IEC 60529 IP66

\*\*\*To maintain Type 3R listing, drainage is required. Install equally rated drainage device or drill a 1/8 to 1/4 inch hole in the bottom center of the enclosure, approximately 1 inch from the right, and 1 inch from the left for drainage, use listed rain-tight or wet location hubs. Drip shield over the door is recommended for all outdoor applications.

Enclosure Product Code C2

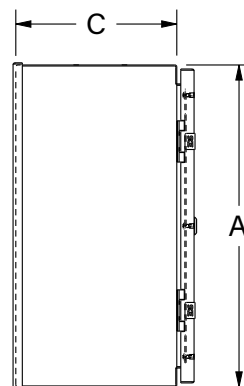
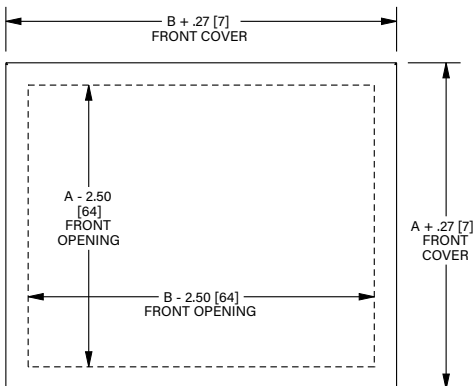
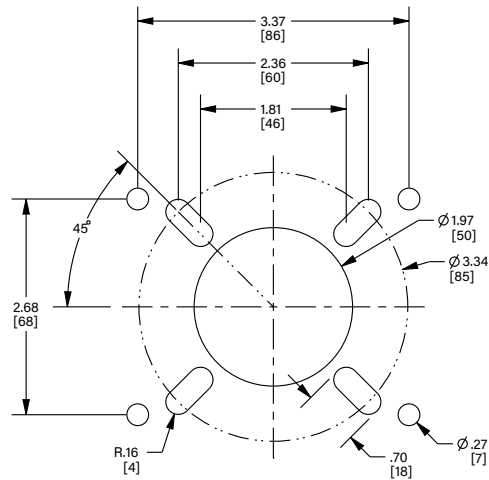
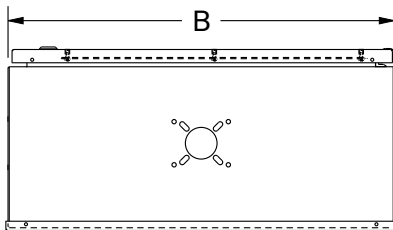
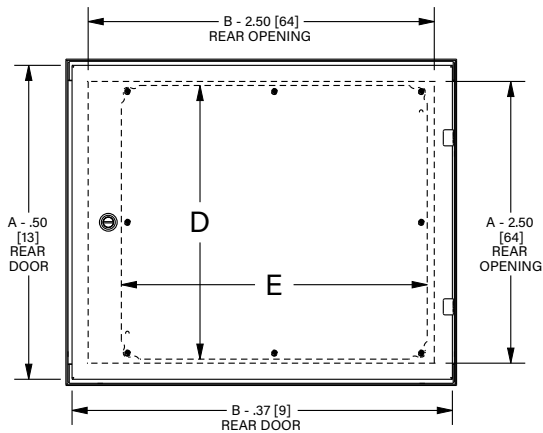
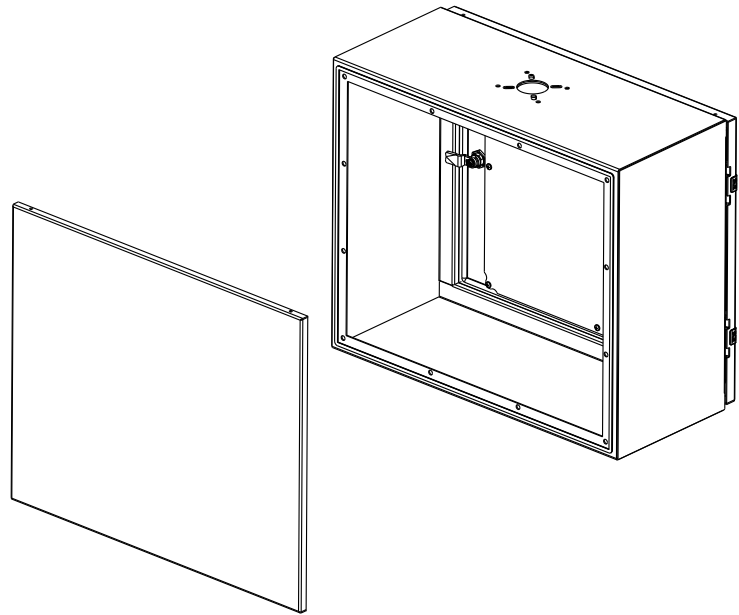
Sub-Panel (P3)

Catalog No.	Height (A)	Width (B)	Depth (C)	Industry Standard	Catalog No.	Panel Height (D)	Panel Width (E)
<a href="#">SCE-12HMI1606SSLP</a>	12.00	16.00	6.00	IS6	<a href="#">SCE-12P10</a>	11.00	9.00
<a href="#">SCE-12HMI1610SSLP</a>	12.00	16.00	10.00	IS6	<a href="#">SCE-12P10</a>	11.00	9.00
<a href="#">SCE-14HMI1806SSLP</a>	14.00	18.00	6.00	IS6	<a href="#">SCE-14P12</a>	13.00	11.00
<a href="#">SCE-14HMI1810SSLP</a>	14.00	18.00	10.00	IS6	<a href="#">SCE-14P12</a>	13.00	11.00
<a href="#">SCE-16HMI2006SSLP</a>	16.00	20.00	6.00	IS6	<a href="#">SCE-16P14</a>	15.00	13.00
<a href="#">SCE-16HMI2010SSLP</a>	16.00	20.00	10.00	IS6	<a href="#">SCE-16P14</a>	15.00	13.00
<a href="#">SCE-20HMI2406SSLP</a>	20.00	24.00	6.00	IS6	<a href="#">SCE-20P18HMI</a>	19.00	17.00
<a href="#">SCE-20HMI2410SSLP</a>	20.00	24.00	10.00	IS6	<a href="#">SCE-20P18HMI</a>	19.00	17.00



# STAINLESS STEEL HMI ENCLOSURES

## TECHNICAL DATA

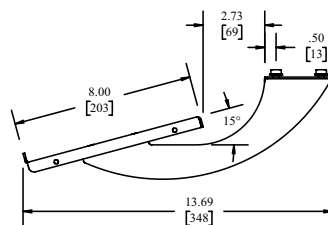
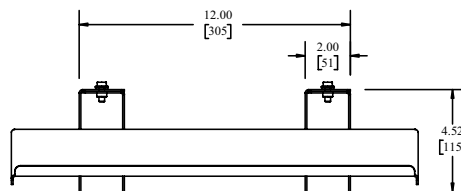
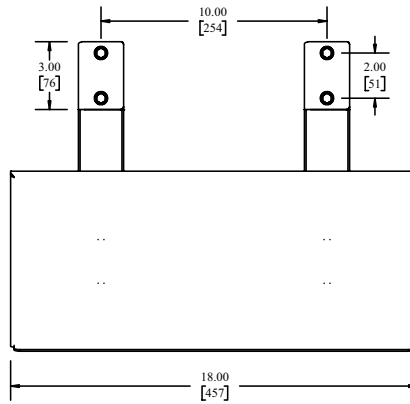


# HMI ACCESSORIES

## HMI KEYBOARD SHELF

Catalog No.	Height (A)	Width (B)	Depth (C)	Finish	Product Code
<a href="#">SCE-HMIKBS</a>	4.52	18.00	13.69	Black Texture	P2
<a href="#">SCE-HMIKBSSS</a>	4.52	18.00	13.69	Stainless Steel	P2

Designed for use on HMI enclosures. Mounting hardware is included.



# HMI ACCESSORIES

## HMI PULL HANDLE

Catalog No.	Height (A)	Width (B)	Depth (C)	Qty Per Kit	Product Code
<a href="#">SCE-HMIPH5</a>	5.28	2.57	2.84	1	P2
<a href="#">SCE-AUHK</a>	12.00	4.27	3.15	1	P2

Designed for use on HMI enclosures. Handle is a steel tube plastic coated black with black molded polyamide plastic end stays. Mounting hardware is included.



SCE-HMIPH5



SCE-AUHK

## HMI COVER PLATE

Catalog No.	Height (A)	Width (B)	Depth (C)	Qty Per Kit	Product Code
<a href="#">SCE-HMICPSS</a>	3.50	3.50	0.08	1	P2
<a href="#">SCE-HMICP</a>	3.50	3.50	0.08	1	P2

Gasketed cover plate for use on HMI enclosures when mounting cutout is not needed. Made of heavy gauge steel and powder coated RAL 7035 Gray.



# STAINLESS STEEL SUSPENSION SYSTEMS

POSSIBLE SYSTEM CONFIGURATIONS

## Application

Designed for use with the SCE HMI enclosures, allows operators to easily move or position an HMI to an ergonomic and comfortable working position. Heavy duty and reliable construction. Suspension Systems can be assembled in a multitude of configurations that allow for machine mount, wall-mount, top mount, and floor-mount options. For installation instructions consult our installation manual at [www.saginawcontrol.com](http://www.saginawcontrol.com)

## Construction

- 304 Stainless Steel couplings.
- 304 Stainless Steel tubes.
- Rotating couplings have adjustable tensioner brakes to control movement while in use.
- O-Ring Gaskets at all connections maintain oil and water tight seal.
- Continuous closed tube – S, J and I shape designs.
- Closed tube acts as conduit for feeding wiring.
- Rigid, durable bearing in all rotating couplings withstand the stress of continuous use.
- Removable access covers on all couplings with 90 degree turn.
- Stainless Steel Hardware included for installation of coupling to tube.

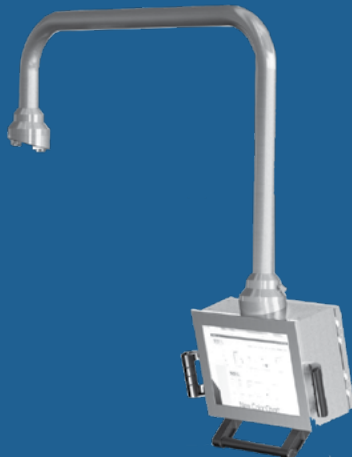
## Finish

#4 brushed finish

For further information on individual components see pages 398-409

## Industry Standards

NEMA Type 4X  
IEC 60529 IP55



SCE-SAS14A  
SCE-SAS360C

SCE-SAS\*\*S

SCE-SAS310TM

SCE-SASWMA

SCE-SAS\*\*J

SCE-SAS360C



SCE-SAS310TM  
SCE-SAS14A

SCE-SAS\*\*J

SCE-SAS14A  
SCE-SAS360C



SCE-SAS360C  
SCE-SASFSCO

SCE-SAS\*\*I

# SUSPENSION SYSTEMS

## POSSIBLE SYSTEM CONFIGURATIONS

### Application

Designed for use with the SCE HMI enclosures, allows operators to easily move or position an HMI to an ergonomic and comfortable working position. Heavy duty and reliable construction. Suspension Systems can be assembled in a multitude of configurations that allow for machine mount, wall-mount, top mount, and floor-mount options. For installation instructions consult our installation manual at [www.saginawcontrol.com](http://www.saginawcontrol.com).

### Construction

- Cast aluminum couplings.
- Extruded aluminum tubes (6060T66).
- Rotating couplings have adjustable tensioner brakes to control movement while in use.
- Open or closed tube design.
- Open tube allows for easy access to lay in wiring, with easy to install push fit rubber cover.
- Closed tube acts as conduit for feeding wiring.
- Rigid, durable bearing in all rotating couplings withstand the stress of continuous use.
- Removable access covers on all couplings with 90 degree turn.
- Hardware and gasket included for installation of coupling to tube.

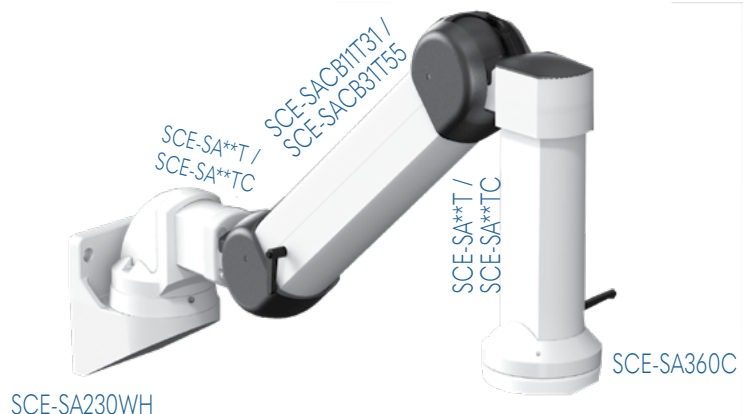
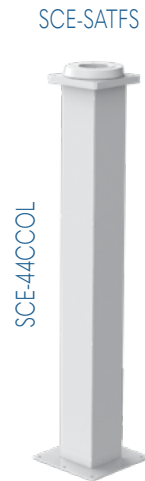
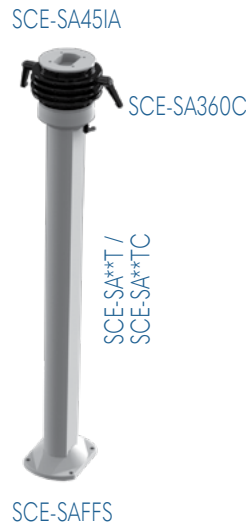
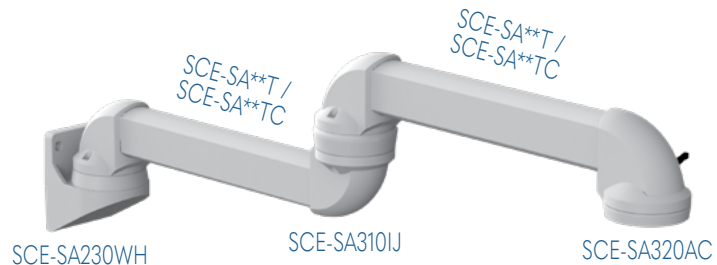
### Finish

RAL 7035 powder coated finish.

For further information on individual components see pages 398-409

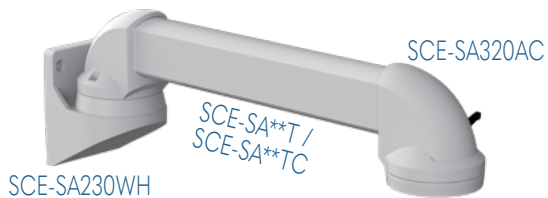
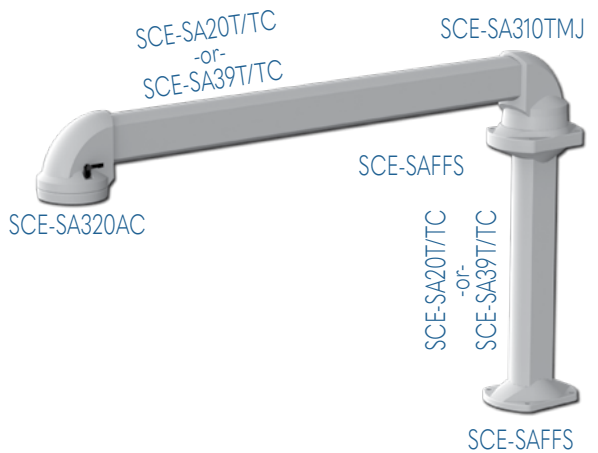
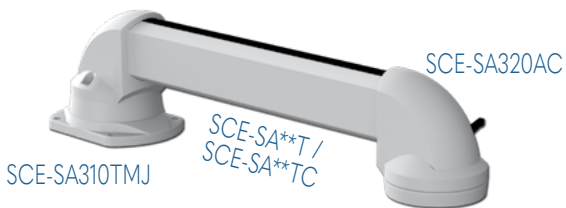
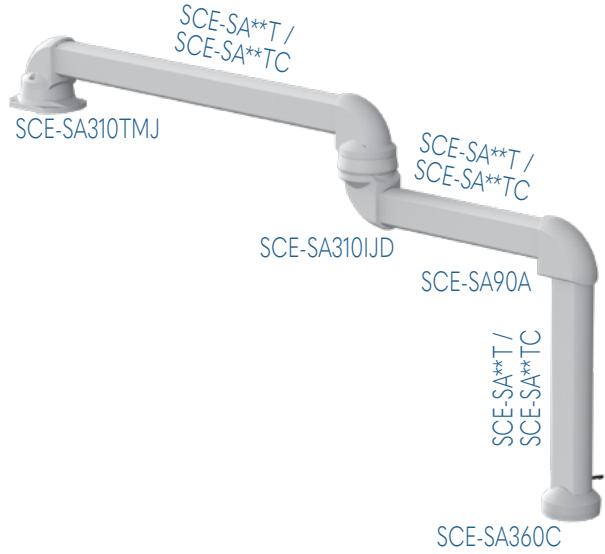
### Industry Standards

NEMA Type 12  
IEC 60529 IP55





**POSSIBLE SYSTEM CONFIGURATIONS**

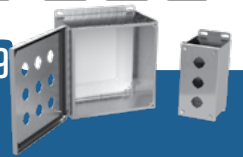


# WALL-MOUNT ENCLOSURES

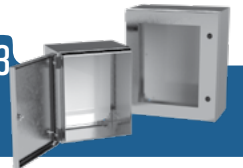
## STAINLESS STEEL

6 wall-mount enclosures  
stainless steel

252-259



260-263



264-267



268-269



270-271



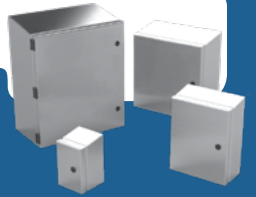
272-275



276-277



278-279



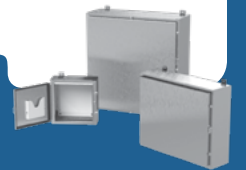
280-281



282-283



284-287



288-289



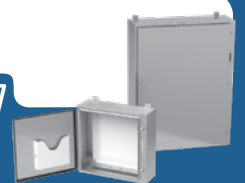
290-293



294-295



296-297



## Application

Designed to house standard pushbuttons, switches and pilot lights in wet and hosed down areas and in corrosive atmospheres. For installation information, consult our installation manual at [www.saginawcontrol.com](http://www.saginawcontrol.com).

## Construction

- 0.063" stainless steel Type 304 & 316/316L.
- Seams continuously welded and ground smooth.
- Captivated cover screws thread into sealed wells.
- Four-way pushbutton holes accept all brands of oil-tight pushbuttons, switches and pilot lights. Hole diameter 1.20" (30.5 mm).
- Immediate removal of cover is permitted.
- Pour in place oil and water resistant gasket.
- Welded mounting provision top and bottom of back.

## Finish

#4 brushed finish on all exterior surfaces

## IS5 Industry Standards

NEMA Type 4, 4X, 12 & Type 13  
 UL Listed Type 4, 4X & 12  
 CSA Type 4, 4X & 12  
 IEC 60529 IP66



252

## 304 STAINLESS STEEL

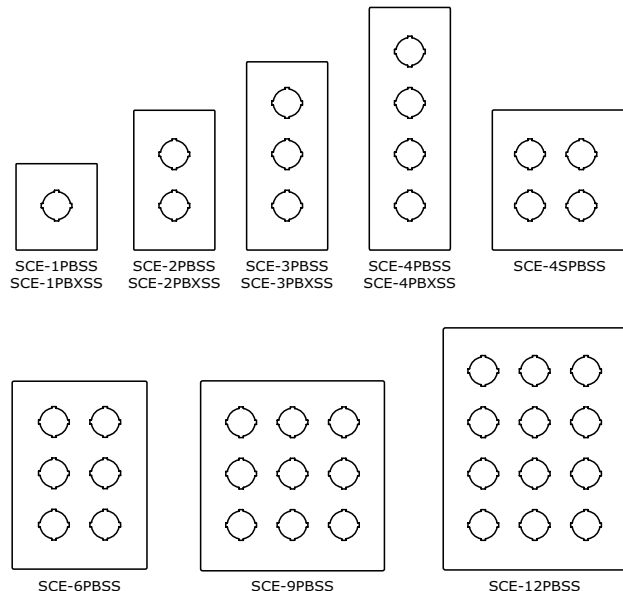
Enclosure Product Code S1

Catalog No.	Height (A)	Width (B)	Depth (C)	Industry Standard
<a href="#">SCE-1PBSS</a>	3.50	3.25	2.75	IS5
<a href="#">SCE-1PBXSS</a>	4.00	4.00	4.75	IS5
<a href="#">SCE-2PBSS</a>	5.75	3.25	2.75	IS5
<a href="#">SCE-2PBXSS</a>	6.00	4.00	4.75	IS5
<a href="#">SCE-3PBSS</a>	8.00	3.25	2.75	IS5
<a href="#">SCE-3PBXSS</a>	8.00	4.00	4.75	IS5
<a href="#">SCE-4PBSS</a>	10.25	3.25	2.75	IS5
<a href="#">SCE-4PBXSS</a>	10.00	4.00	4.75	IS5
<a href="#">SCE-4SPBSS</a>	7.25	6.25	3.00	IS5
<a href="#">SCE-6PBSS</a>	9.50	6.25	3.00	IS5
<a href="#">SCE-9PBSS</a>	9.50	8.50	3.00	IS5
<a href="#">SCE-12PBSS</a>	11.75	8.50	3.00	IS5

## 316 STAINLESS STEEL

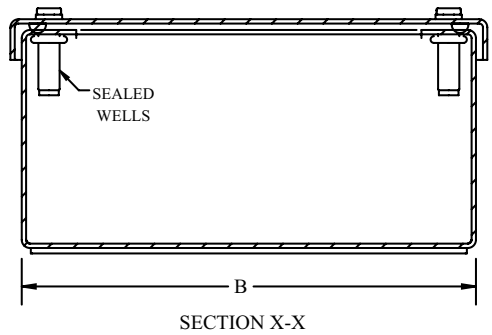
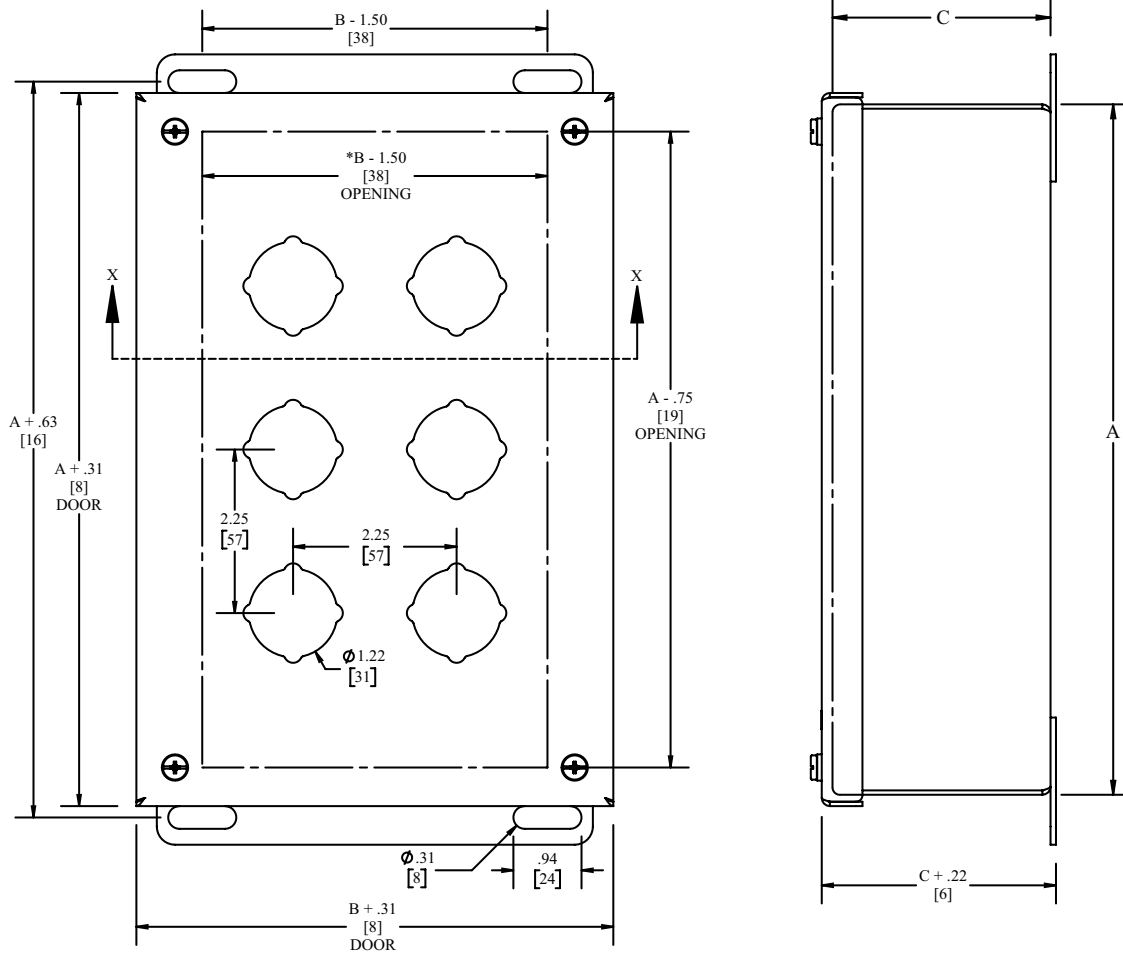
Enclosure Product Code S1

Catalog No.	Height (A)	Width (B)	Depth (C)	Industry Standard
<a href="#">SCE-1PBSS6</a>	3.50	3.25	2.75	IS5
<a href="#">SCE-1PBXSS6</a>	4.00	4.00	4.75	IS5
<a href="#">SCE-2PBSS6</a>	5.75	3.25	2.75	IS5
<a href="#">SCE-2PBXSS6</a>	6.00	4.00	4.75	IS5
<a href="#">SCE-3PBSS6</a>	8.00	3.25	2.75	IS5
<a href="#">SCE-4PBSS6</a>	10.25	3.25	2.75	IS5
<a href="#">SCE-4PBXSS6</a>	10.00	4.00	4.75	IS5
<a href="#">SCE-4SPBSS6</a>	7.25	6.25	3.00	IS5
<a href="#">SCE-6PBSS6</a>	9.50	6.25	3.00	IS5
<a href="#">SCE-9PBSS6</a>	9.50	8.50	3.00	IS5
<a href="#">SCE-12PBSS6</a>	11.75	8.50	3.00	IS5



# STAINLESS STEEL 30.5MM PUSHBUTTON ENCLOSURES

## TECHNICAL DATA



NOTE:  
\*B - .50 [13] WHEN ONE COLUMN OF PUSHBUTTONS

## Application

Designed to house standard pushbuttons, switches and pilot lights in wet and hosed down areas and in corrosive atmospheres. For installation information, consult our installation manual at [www.saginawcontrol.com](http://www.saginawcontrol.com).

## Construction

- 0.063" stainless steel Type 304 & 316/316L.
- Seams continuously welded and ground smooth.
- Captivated cover screws thread into sealed wells.
- Four-way pushbutton holes accept all brands of oil-tight pushbuttons, switches and pilot lights. Hole diameter 0.87" (22.5 mm).
- Immediate removal of cover is permitted.
- Pour in place oil and water resistant gasket.
- Welded mounting provision top and bottom of back.

## Finish

#4 brushed finish on all exterior surfaces

## IS5 Industry Standards

NEMA Type 4, 4X, 12 & Type 13  
 UL Listed Type 4, 4X & 12  
 CSA Type 4, 4X & 12  
 IEC 60529 IP66



## 304 STAINLESS STEEL

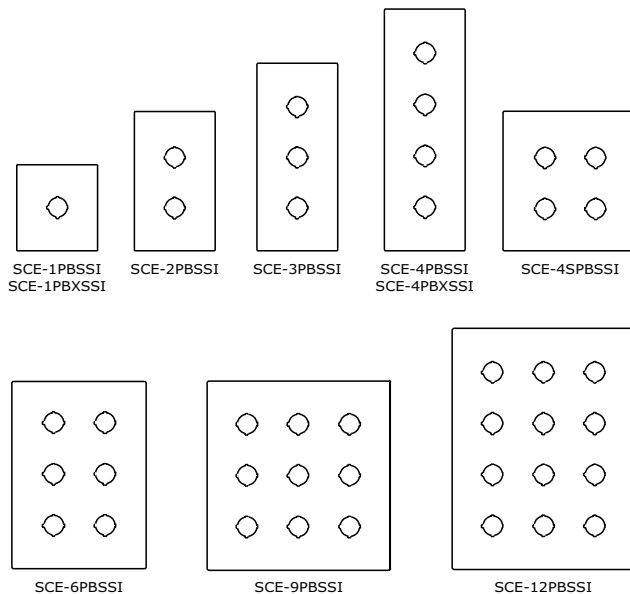
Enclosure Product Code S1

Catalog No.	Height (A)	Width (B)	Depth (C)	Industry Standard
<a href="#">SCE-1PBSSI</a>	3.50	3.25	2.75	IS5
<a href="#">SCE-1PBXSSI</a>	4.00	4.00	4.75	IS5
<a href="#">SCE-2PBSSI</a>	5.75	3.25	2.75	IS5
<a href="#">SCE-3PBSSI</a>	8.00	3.25	2.75	IS5
<a href="#">SCE-4PBSSI</a>	10.25	3.25	2.75	IS5
<a href="#">SCE-4PBXSSI</a>	10.00	4.00	4.75	IS5
<a href="#">SCE-4SPBSSI</a>	7.25	6.25	3.00	IS5
<a href="#">SCE-6PBSSI</a>	9.50	6.25	3.00	IS5
<a href="#">SCE-9PBSSI</a>	9.50	8.50	3.00	IS5
<a href="#">SCE-12PBSSI</a>	11.75	8.50	3.00	IS5

## 316 STAINLESS STEEL

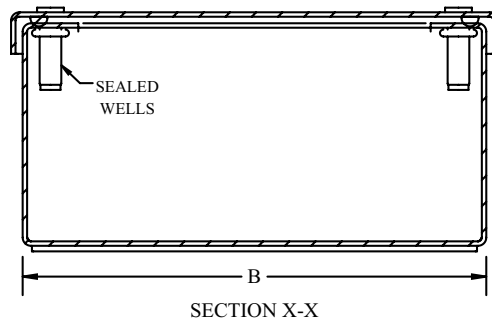
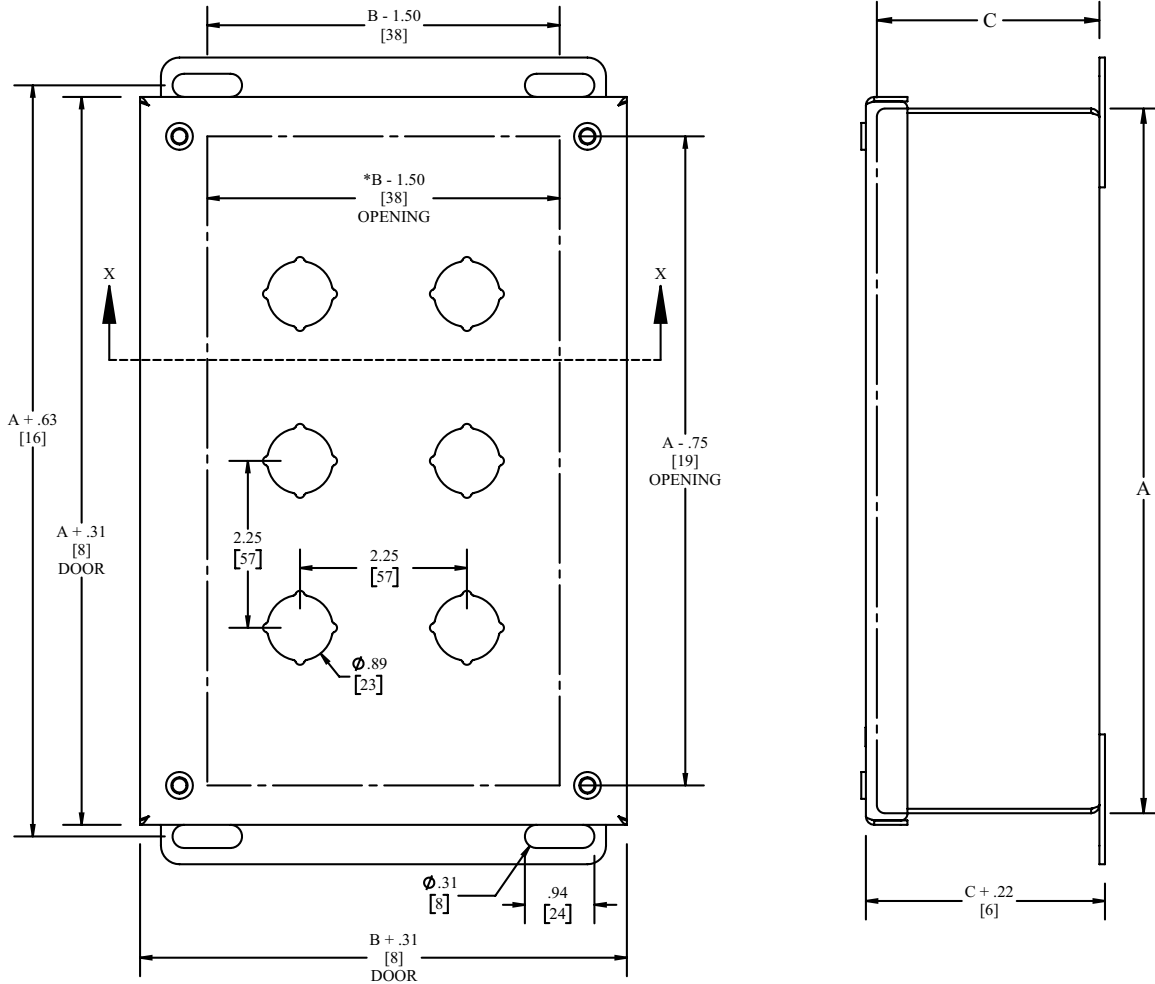
Enclosure Product Code S1

Catalog No.	Height (A)	Width (B)	Depth (C)	Industry Standard
<a href="#">SCE-1PBSS6I</a>	3.50	3.25	2.75	IS5
<a href="#">SCE-1PBXSS6I</a>	4.00	4.00	4.75	IS5
<a href="#">SCE-2PBSS6I</a>	5.75	3.25	2.75	IS5
<a href="#">SCE-3PBSS6I</a>	8.00	3.25	2.75	IS5
<a href="#">SCE-4PBSS6I</a>	10.25	3.25	2.75	IS5
<a href="#">SCE-4PBXSS6I</a>	10.00	4.00	4.75	IS5
<a href="#">SCE-4SPBSS6I</a>	7.25	6.25	3.00	IS5
<a href="#">SCE-6PBSS6I</a>	9.50	6.25	3.00	IS5
<a href="#">SCE-9PBSS6I</a>	9.50	8.50	3.00	IS5
<a href="#">SCE-12PBSS6I</a>	11.75	8.50	3.00	IS5



# STAINLESS STEEL 22.5MM PUSHBUTTON ENCLOSURES

## TECHNICAL DATA



NOTE:  
\*B - .50 [13] WHEN ONE COLUMN OF PUSHBUTTONS

# STAINLESS STEEL EXTRA LARGE 30.5MM HINGED PUSHBUTTON ENCLOSURES

## 304 STAINLESS STEEL

Enclosure Product Code S1

Sub-Panel (P3)

Catalog No.	Height (A)	Width (B)	Depth (C)	Industry Standrd	Catalog No.	Panel Height (D)	Panel Width (E)
<a href="#">SCE-9PBHSS</a>	10.13	10.00	6.00	IS5	<a href="#">SCE-10P10</a>	9.00	9.00
<a href="#">SCE-16PBHSS</a>	12.13	12.00	6.00	IS5	<a href="#">SCE-12P12</a>	11.00	11.00

### Application

Designed to house standard pushbuttons, switches and pilot lights in wet and hosed down areas and in corrosive atmospheres. For installation information, consult our installation manual at [www.saginawcontrol.com](http://www.saginawcontrol.com).

### Construction

- 0.063" stainless steel Type 304 & 316/316L.
- Seams continuously welded and ground smooth.
- Captivated cover screws thread into sealed wells.
- Four-way pushbutton holes accept all brands of oil-tight pushbuttons, switches and pilot lights. Hole diameter 1.20" (30.5 mm).
- Pour in place oil and water resistant gasket.
- Provisions for sub-panel.
- Ground stud on door and body.
- Bolt-on continuous hinge with stainless steel hinge pin.
- Welded mounting provision top and bottom of back.

### Finish

#4 brushed finish on all exterior surfaces. Optional sub-panels powder coated white.

### IS5 Industry Standards

NEMA Type 4, 4X, 12 & Type 13

UL Listed Type 4, 4X & 12

CSA Type 4, 4X & 12

IEC 60529 IP66

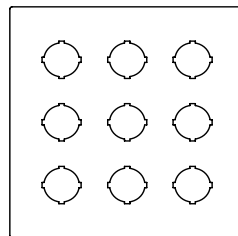


## 316 STAINLESS STEEL

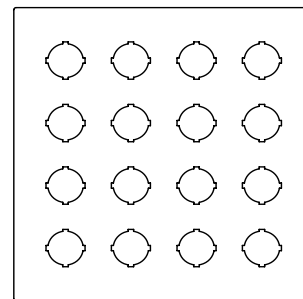
Enclosure Product Code S1

Sub-Panel (P3)

Catalog No.	Height (A)	Width (B)	Depth (C)	Industry Standrd	Catalog No.	Panel Height (D)	Panel Width (E)
<a href="#">SCE-9PBHSS6</a>	10.13	10.00	6.00	IS5	<a href="#">SCE-10P10</a>	9.00	9.00
<a href="#">SCE-16PBHSS6</a>	12.13	12.00	6.00	IS5	<a href="#">SCE-12P12</a>	11.00	11.00



SCE-9PBHSS

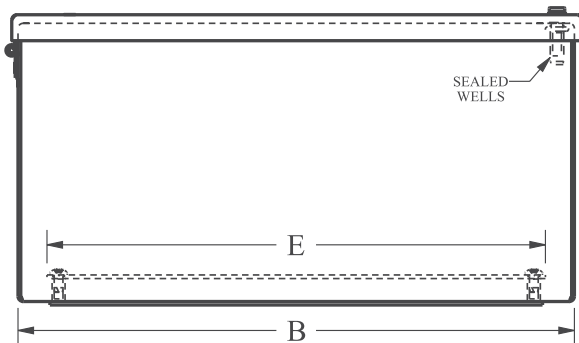
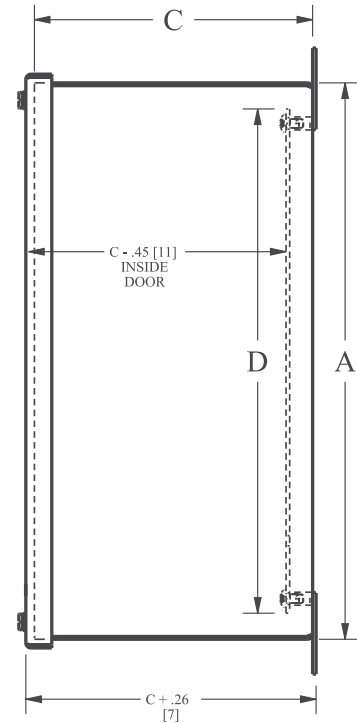
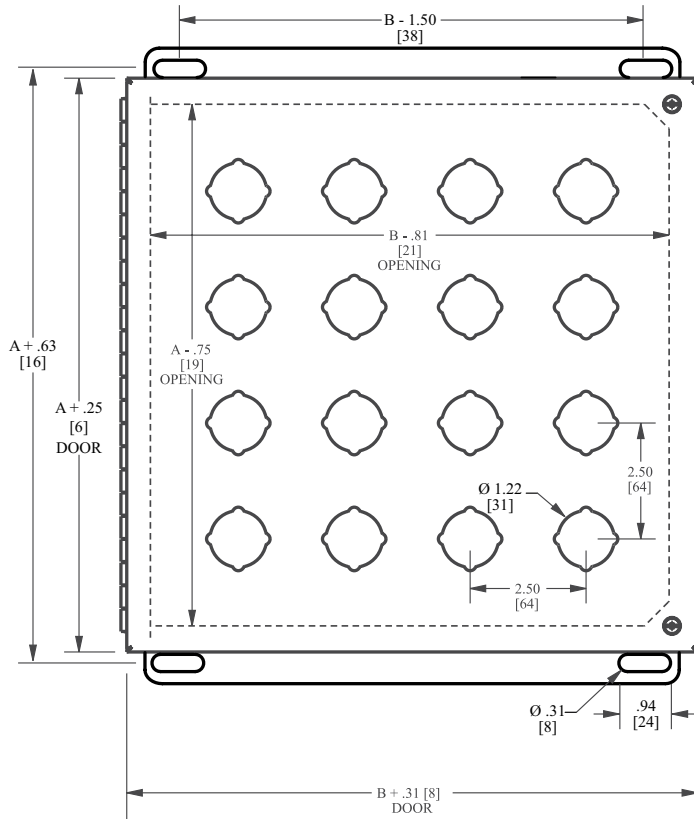


SCE-16PBHSS



# STAINLESS STEEL EXTRA LARGE 30.5MM HINGED PUSHBUTTON ENCLOSURES

## TECHNICAL DATA



# STAINLESS STEEL EXTRA LARGE 22.5MM HINGED PUSHBUTTON ENCLOSURES

## Application

Designed to house standard pushbuttons, switches and pilot lights in wet and hosed down areas and in corrosive atmospheres. For installation information, consult our installation manual at [www.saginawcontrol.com](http://www.saginawcontrol.com).

## Construction

- 0.063" stainless steel Type 304 & 316/316L.
- Seams continuously welded and ground smooth.
- Captivated cover screws thread into sealed wells.
- Four-way pushbutton holes accept all brands of oil-tight pushbuttons, switches and pilot lights. Hole diameter 0.87" (22.5 mm).
- Pour in place oil and water resistant gasket.
- Provisions for sub-panel.
- Ground stud on door and body.
- Bolt-on continuous hinge with stainless steel hinge pin.
- Welded mounting provision top and bottom of back.

## Finish

#4 brushed finish on all exterior surfaces. Optional sub-panels powder coated white.

## IS5 Industry Standards

NEMA Type 4, 4X, 12 & Type 13  
 UL Listed Type 4, 4X & 12  
 CSA Type 4, 4X & 12  
 IEC 60529 IP66

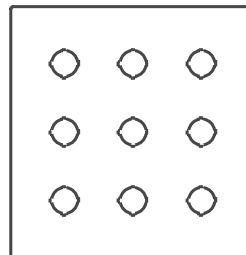


## 304 STAINLESS STEEL

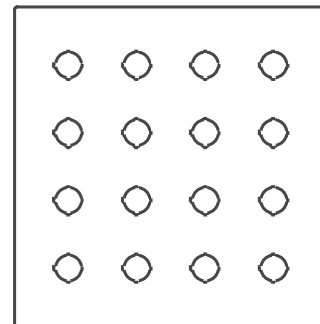
Enclosure Product Code S1					Sub-Panel (P3)		
Catalog No.	Height (A)	Width (B)	Depth (C)	Industry Standard	Catalog No.	Panel Height (D)	Panel Width (E)
<a href="#">SCE-9PBHSSI</a>	10.13	10.00	6.00	IS5	<a href="#">SCE-10P10</a>	9.00	9.00
<a href="#">SCE-16PBHSSI</a>	12.13	12.00	6.00	IS5	<a href="#">SCE-12P12</a>	11.00	11.00

## 316 STAINLESS STEEL

Enclosure Product Code S1					Sub-Panel (P3)		
Catalog No.	Height (A)	Width (B)	Depth (C)	Industry Standard	Catalog No.	Panel Height (D)	Panel Width (E)
<a href="#">SCE-9PBHSS6I</a>	10.13	10.00	6.00	IS5	<a href="#">SCE-10P10</a>	9.00	9.00
<a href="#">SCE-16PBHSS6I</a>	12.13	12.00	6.00	IS5	<a href="#">SCE-12P12</a>	11.00	11.00



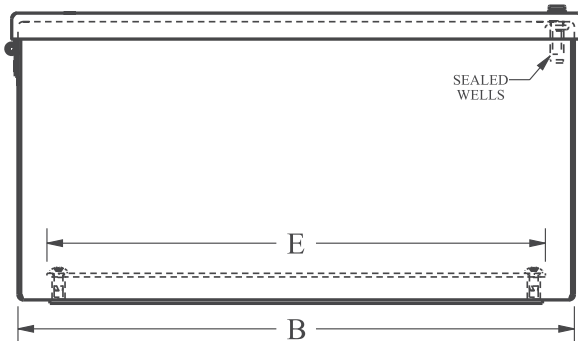
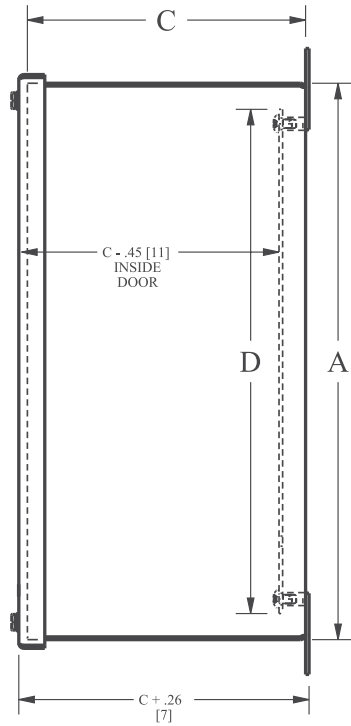
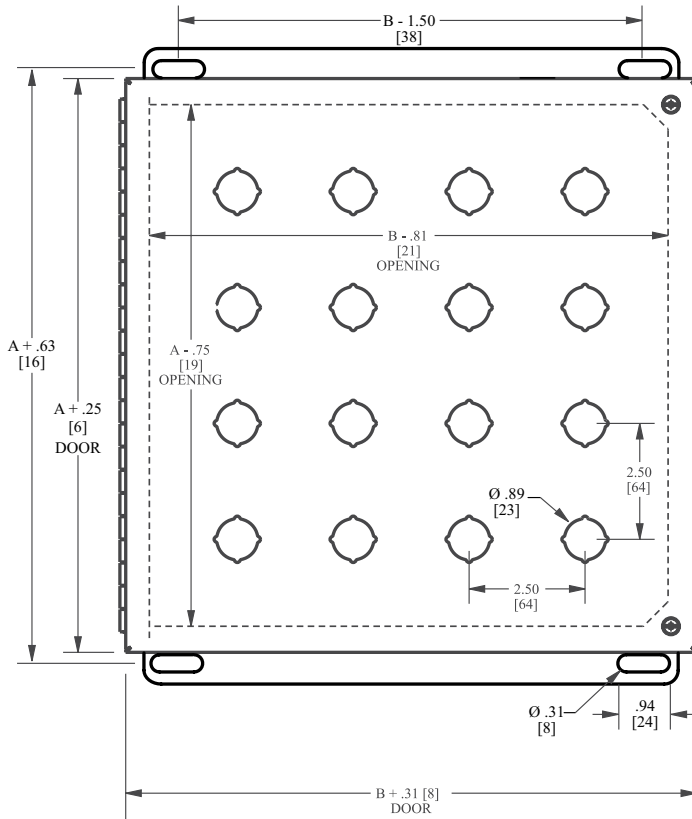
SCE-9PBHSSI



SCE-16PBHSSI

# STAINLESS STEEL EXTRA LARGE 22.5MM HINGED PUSHBUTTON ENCLOSURES

## TECHNICAL DATA



# STAINLESS STEEL ENVIROLINE® SERIES JUNCTION ENCLOSURES

## Application

Designed to house electrical controls, instruments and components in areas, which may be regularly hosed down or are in very wet or oily conditions. Provides a degree of protection from dust, dirt, oil, and water. For outdoor applications a drip shield is recommended. For installation information, consult our installation manual at [www.saginawcontrol.com](http://www.saginawcontrol.com).

## Construction

- 0.063" stainless steel Type 304 & 316/316L.
- Seams continuously welded and ground smooth.
- Flange trough collar around all sides of door opening.
- Pour in place oil and water resistant gasket.
- Standoffs provided for mounting optional panels.
- Removable hinge.
- Doors open 180 degrees.
- Black mini quarter turn latches.
- Latches are opened or closed with a screwdriver.
- Sealing washers and hole plugs included.
- Ground stud on door & body.
- Mounting feet included.
- Optional latches available.

## Finish

#4 brushed finish on all exterior surfaces. Optional sub-panels powder coated white.

## IS6 Industry Standards

NEMA Type 3R, 4, 4X, 12 & Type 13  
UL Listed Type 3R, 4, 4X & 12  
CSA Type 3R, 4, 4X & 12  
IEC 60529 IP66

\*\*\*To maintain Type 3R listing, drainage is required. Install equally rated drainage device or drill a 1/8 to 1/4 inch hole in the bottom center of the enclosure, approximately 1 inch from the right, and 1 inch from the left for drainage, use listed rain-tight or wet location hubs. Drip shield over the door is recommended for all outdoor applications.

## 304 STAINLESS STEEL

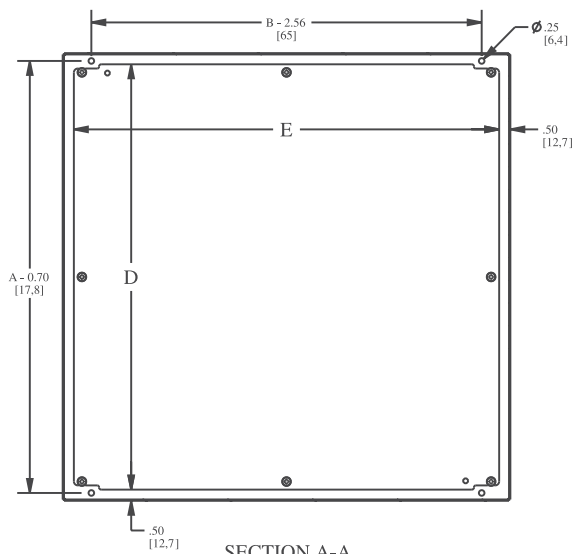
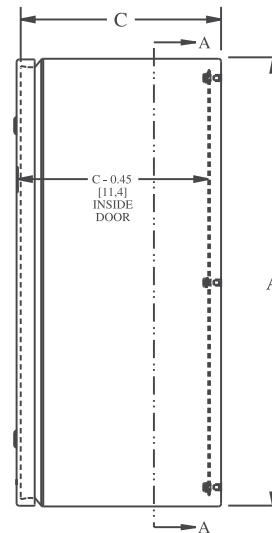
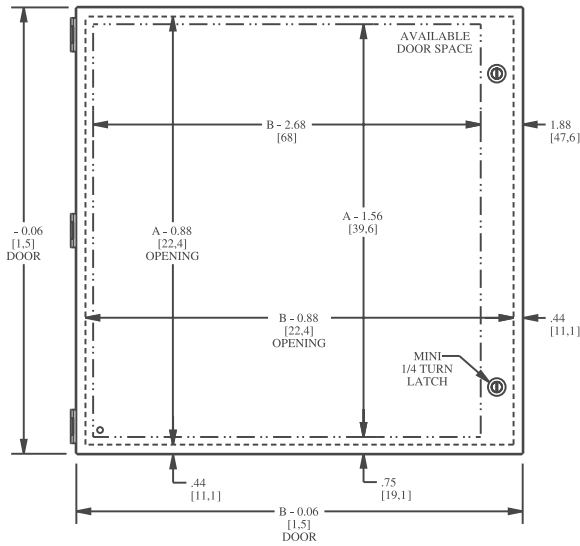
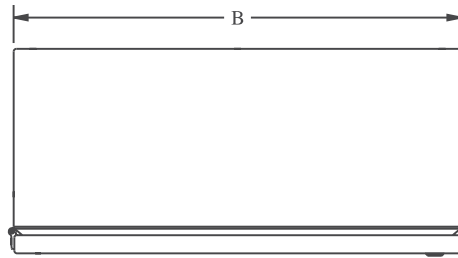
Enclosure Product Code S6					Sub-Panel (P3)		
Catalog No.	Height (A)	Width (B)	Depth (C)	Industry Standard	Catalog No.	Panel Height (D)	Panel Width (E)
<a href="#">SCE-604ELJSS</a>	6.00	4.00	4.00	IS6	<a href="#">SCE-6P4</a>	5.00	3.00
<a href="#">SCE-606ELJSS</a>	6.00	6.00	4.00	IS6	<a href="#">SCE-6P6</a>	5.00	5.00
<a href="#">SCE-806ELJSS</a>	8.00	6.00	4.00	IS6	<a href="#">SCE-8P6</a>	7.00	5.00
<a href="#">SCE-8066ELJSS</a>	8.00	6.00	6.00	IS6	<a href="#">SCE-8P6</a>	7.00	5.00
<a href="#">SCE-1008ELJSS</a>	10.00	8.00	4.00	IS6	<a href="#">SCE-10P8</a>	9.00	7.00
<a href="#">SCE-10086ELJSS</a>	10.00	8.00	6.00	IS6	<a href="#">SCE-10P8</a>	9.00	7.00
<a href="#">SCE-1210ELJSS</a>	12.00	10.00	6.00	IS6	<a href="#">SCE-12P10</a>	11.00	9.00
<a href="#">SCE-12108ELJSS</a>	12.00	10.00	8.00	IS6	<a href="#">SCE-12P10</a>	11.00	9.00
<a href="#">SCE-1212ELJSS</a>	12.00	12.00	6.00	IS6	<a href="#">SCE-12P12</a>	11.00	11.00
<a href="#">SCE-1412ELJSS</a>	14.00	12.00	6.00	IS6	<a href="#">SCE-14P12</a>	13.00	11.00
<a href="#">SCE-14128ELJSS</a>	14.00	12.00	8.00	IS6	<a href="#">SCE-14P12</a>	13.00	11.00
<a href="#">SCE-1614ELJSS</a>	16.00	14.00	6.00	IS6	<a href="#">SCE-16P14</a>	15.00	13.00
<a href="#">SCE-16148ELJSS</a>	16.00	14.00	8.00	IS6	<a href="#">SCE-16P14</a>	15.00	13.00

## 316 STAINLESS STEEL

Enclosure Product Code S6					Sub-Panel (P3)		
Catalog No.	Height (A)	Width (B)	Depth (C)	Industry Standard	Catalog No.	Panel Height (D)	Panel Width (E)
<a href="#">SCE-604ELJSS6</a>	6.00	4.00	4.00	IS6	<a href="#">SCE-6P4</a>	5.00	3.00
<a href="#">SCE-606ELJSS6</a>	6.00	6.00	4.00	IS6	<a href="#">SCE-6P6</a>	5.00	5.00
<a href="#">SCE-806ELJSS6</a>	8.00	6.00	4.00	IS6	<a href="#">SCE-8P6</a>	7.00	5.00
<a href="#">SCE-8066ELJSS6</a>	8.00	6.00	6.00	IS6	<a href="#">SCE-8P6</a>	7.00	5.00
<a href="#">SCE-1008ELJSS6</a>	10.00	8.00	4.00	IS6	<a href="#">SCE-10P8</a>	9.00	7.00
<a href="#">SCE-10086ELJSS6</a>	10.00	8.00	6.00	IS6	<a href="#">SCE-10P8</a>	9.00	7.00
<a href="#">SCE-1210ELJSS6</a>	12.00	10.00	6.00	IS6	<a href="#">SCE-12P10</a>	11.00	9.00
<a href="#">SCE-12108ELJSS6</a>	12.00	10.00	8.00	IS6	<a href="#">SCE-12P10</a>	11.00	9.00
<a href="#">SCE-1212ELJSS6</a>	12.00	12.00	6.00	IS6	<a href="#">SCE-12P12</a>	11.00	11.00
<a href="#">SCE-1412ELJSS6</a>	14.00	12.00	6.00	IS6	<a href="#">SCE-14P12</a>	13.00	11.00
<a href="#">SCE-14128ELJSS6</a>	14.00	12.00	8.00	IS6	<a href="#">SCE-14P12</a>	13.00	11.00
<a href="#">SCE-1614ELJSS6</a>	16.00	14.00	6.00	IS6	<a href="#">SCE-16P14</a>	15.00	13.00
<a href="#">SCE-16148ELJSS6</a>	16.00	14.00	8.00	IS6	<a href="#">SCE-16P14</a>	15.00	13.00



# STAINLESS STEEL ENVIROLINE® SERIES JUNCTION ENCLOSURES TECHNICAL DATA



**LATCH NOTES:**

One latch centered on the door vertically if height is  $\leq 14.00$  [356]

Two latches located  $3.00$  [76] from top & bottom of door if height is  $> 14.00$  [356]

# STAINLESS STEEL ENVIROLINE® SERIES JUNCTION ENCLOSURES WITH VIEWING WINDOW

## Application

Designed to house electrical controls, instruments and components that require unrestricted viewing of the gauges or controls, in areas, which may be regularly hosed down or are in very wet or oily conditions. Provides a degree of protection from dust, dirt, oil, and water. For outdoor applications a drip shield is recommended. For installation information, consult our installation manual at [www.saginawcontrol.com](http://www.saginawcontrol.com).

## Construction

- 0.063" stainless steel Type 304 & 316/316L.
- Seams continuously welded and ground smooth.
- Flange trough collar around all sides of door opening.
- Pour in place oil and water resistant gasket.
- 0.25" polycarbonate viewing window.
- Standoffs provided for mounting optional sub-panels.
- Removable hinge.
- Doors open 180 degrees.
- Black mini quarter turn latches.
- Latches are opened or closed with a screwdriver.
- Sealing washers and hole plugs included.
- Ground stud on door & body.
- Mounting feet included.
- Optional latches available.

## Finish

#4 brushed finish on all exterior surfaces. Optional sub-panels powder coated white.

## Notes

Recommend use as Type 3R rating in full outdoor exposure and extreme weather environments.

For more details see *Design Considerations* on our website.

## IS6 Industry Standards

NEMA Type 3R, 4, 4X, 12 & Type 13  
 UL Listed Type 3R, 4, 4X & 12  
 CSA Type 3R, 4, 4X & 12  
 IEC 60529 IP66

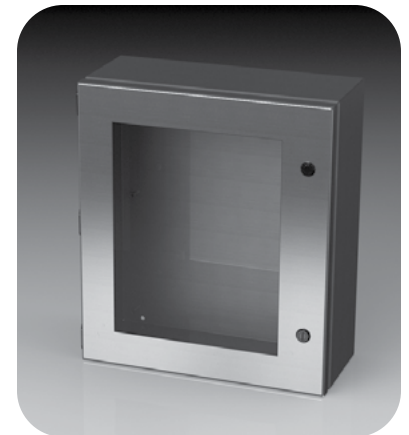
\*\*\*To maintain Type 3R listing, drainage is required. Install equally rated drainage device or drill a 1/8 to 1/4 inch hole in the bottom center of the enclosure, approximately 1 inch from the right, and 1 inch from the left for drainage, use listed rain-tight or wet location hubs. Drip shield over the door is recommended for all outdoor applications.

## 304 STAINLESS STEEL

Catalog No.	Enclosure Product Code S6					Sub-Panel (P3)
	Height (A)	Width (B)	Depth (C)	Window Viewing Size	Industry Standard	Sub-Panel
<a href="#">SCE-1008ELJWSS</a>	10.00	8.00	4.00	6.00 x 3.375	IS6	<a href="#">SCE-10P8</a>
<a href="#">SCE-10086ELJWSS</a>	10.00	8.00	6.00	6.00 x 3.375	IS6	<a href="#">SCE-10P8</a>
<a href="#">SCE-1210ELJWSS</a>	12.00	10.00	6.00	8.00 x 5.375	IS6	<a href="#">SCE-12P10</a>
<a href="#">SCE-12108ELJWSS</a>	12.00	10.00	8.00	8.00 x 5.375	IS6	<a href="#">SCE-12P10</a>
<a href="#">SCE-1614ELJWSS</a>	16.00	14.00	6.00	12.00 x 9.375	IS6	<a href="#">SCE-16P14</a>
<a href="#">SCE-16148ELJWSS</a>	16.00	14.00	8.00	12.00 x 9.375	IS6	<a href="#">SCE-16P14</a>

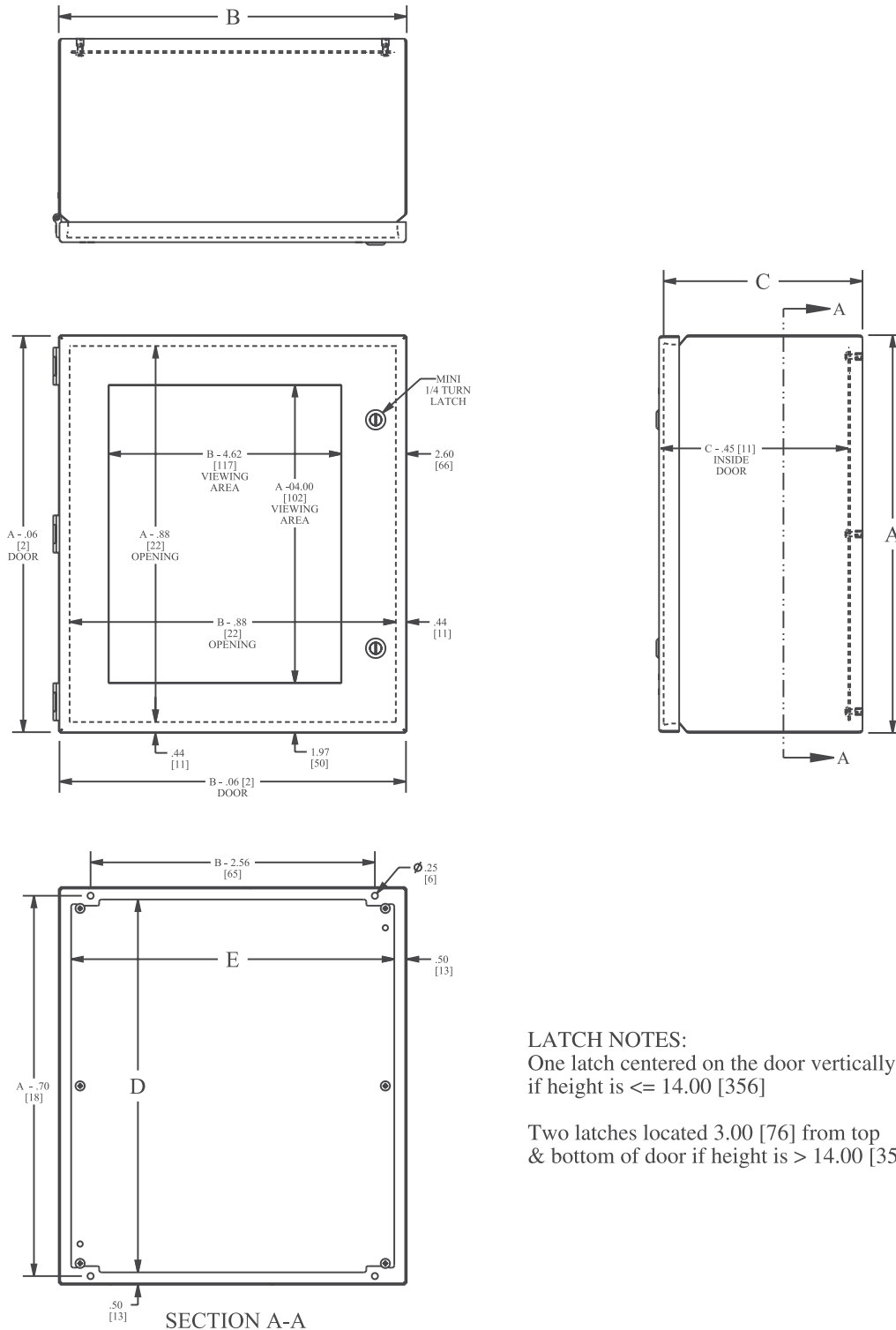
## 316 STAINLESS STEEL

Catalog No.	Enclosure Product Code S6					Sub-Panel (P3)
	Height (A)	Width (B)	Depth (C)	Window Viewing Size	Industry Standard	Sub-Panel
<a href="#">SCE-1008ELJWSS6</a>	10.00	8.00	4.00	6.00 x 3.375	IS6	<a href="#">SCE-10P8</a>
<a href="#">SCE-10086ELJWSS6</a>	10.00	8.00	6.00	6.00 x 3.375	IS6	<a href="#">SCE-10P8</a>
<a href="#">SCE-1210ELJWSS6</a>	12.00	10.00	6.00	8.00 x 5.375	IS6	<a href="#">SCE-12P10</a>
<a href="#">SCE-12108ELJWSS6</a>	12.00	10.00	8.00	8.00 x 5.375	IS6	<a href="#">SCE-12P10</a>
<a href="#">SCE-1614ELJWSS6</a>	16.00	14.00	6.00	12.00 x 9.375	IS6	<a href="#">SCE-16P14</a>
<a href="#">SCE-16148ELJWSS6</a>	16.00	14.00	8.00	12.00 X 9.375	IS6	<a href="#">SCE-16P14</a>



# STAINLESS STEEL ENVIROLINE® SERIES JUNCTION ENCLOSURES WITH VIEWING WINDOW

## TECHNICAL DATA



**LATCH NOTES:**

One latch centered on the door vertically if height is  $\leq 14.00$  [356]

Two latches located  $3.00$  [76] from top & bottom of door if height is  $> 14.00$  [356]

# STAINLESS STEEL ENVIROLINE® SERIES TROUGH JUNCTION ENCLOSURES

## Application

Designed to house electrical controls, instruments and components used in an indoor or outdoor environment to provide a degree of protection for the equipment inside the enclosure against ingress of solid foreign objects (falling dirt); and provide a degree of protection with respect to the harmful effects on the equipment due to the ingress of water (rain, sleet, snow). For installation information, consult our installation manual at [www.saginawcontrol.com](http://www.saginawcontrol.com).

## Construction

- 0.063" stainless steel Type 304.
- Seams continuously welded and ground smooth.
- Flange trough collar around all sides of door opening.
- Pour in place oil and water resistant gasket.
- Standoffs provided for mounting optional sub-panels.
- Removable hinges.
- Doors open 180 degrees.
- Black mini quarter turn latches.
- Latches are opened or closed with a screwdriver.
- Sealing washers and hole plugs included.
- Ground stud on door and body.
- Mounting feet included.
- Padlocking or keylocking latches, and tamper-resistant hardware are available.

## Finish

#4 brushed finish on all exterior surfaces. Optional sub-panels powder coated white.

## IS6 Industry Standards

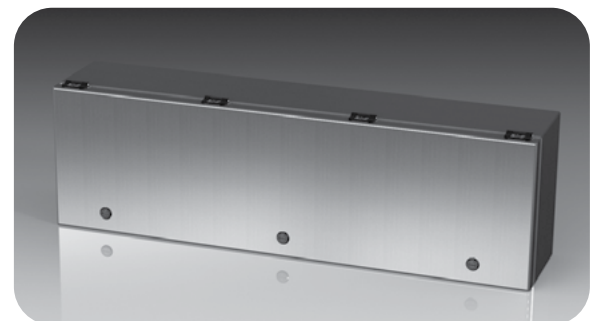
NEMA Type 3R, 4, 4X, 12 & Type 13  
 UL Listed Type 3R, 4, 4X & 12  
 CSA Type 3R, 4, 4X & 12  
 IEC 60529 IP66

\*\*\*To maintain Type 3R listing, drainage is required. Install equally rated drainage device or drill a 1/8 to 1/4 inch hole in the bottom center of the enclosure, approximately 1 inch from the right, and 1 inch from the left for drainage, use listed rain-tight or wet location hubs. Drip shield over the door is recommended for all outdoor applications.

Enclosure Product Code S6

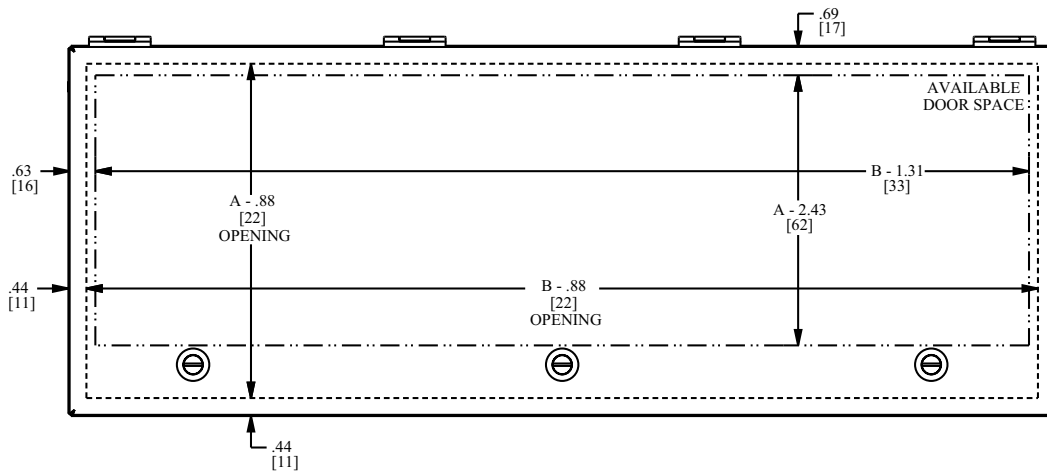
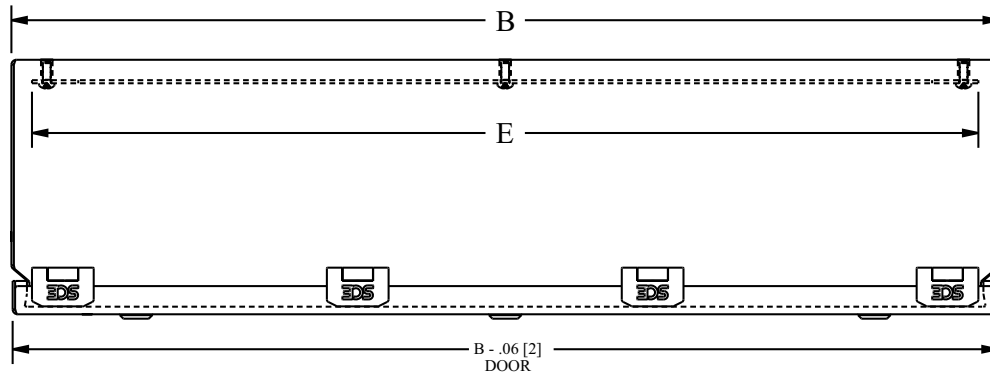
Sub-Panel (P3)

Catalog No.	Height (A)	Width (B)	Depth (C)	Industry Standard	Catalog No.	Panel Height (D)	Panel Height (E)
<a href="#">SCE-L9126ELJSS</a>	9.00	12.00	6.00	IS6	<a href="#">SCE-9P12L</a>	8.00	11.00
<a href="#">SCE-L9128ELJSS</a>	9.00	12.00	8.00	IS6	<a href="#">SCE-9P12L</a>	8.00	11.00
<a href="#">SCE-L9186ELJSS</a>	9.00	18.00	6.00	IS6	<a href="#">SCE-9P18L</a>	8.00	17.00
<a href="#">SCE-L9188ELJSS</a>	9.00	18.00	8.00	IS6	<a href="#">SCE-9P18L</a>	8.00	17.00
<a href="#">SCE-L9246ELJSS</a>	9.00	24.00	6.00	IS6	<a href="#">SCE-9P24L</a>	8.00	23.00
<a href="#">SCE-L9248ELJSS</a>	9.00	24.00	8.00	IS6	<a href="#">SCE-9P24L</a>	8.00	23.00
<a href="#">SCE-L9306ELJSS</a>	9.00	30.00	6.00	IS6	<a href="#">SCE-9P30L</a>	8.00	29.00
<a href="#">SCE-L9308ELJSS</a>	9.00	30.00	8.00	IS6	<a href="#">SCE-9P30L</a>	8.00	29.00
<a href="#">SCE-L9366ELJSS</a>	9.00	36.00	6.00	IS6	<a href="#">SCE-9P36L</a>	8.00	35.00
<a href="#">SCE-L9368ELJSS</a>	9.00	36.00	8.00	IS6	<a href="#">SCE-9P36L</a>	8.00	35.00



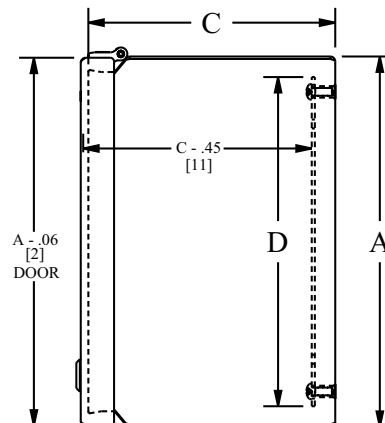


# STAINLESS STEEL ENVIROLINE® SERIES TROUGH JUNCTION ENCLOSURES TECHNICAL DATA



**LATCH NOTES:**

1. One latch centered on the door horizontally if width is  $\leq 14.00$  [356]
2. Two latches located 3.00 [76] from sides of door if width is  $> 14.00$  [356]
3. An additional latch is centered horizontally if width is  $> 20.00$  [508]



# STAINLESS STEEL ENVIROLINE® SERIES TROUGH JUNCTION ENCLOSURES WITH VIEWING WINDOW

## Application

Designed to house electrical controls, instruments and components that require unrestricted viewing of the gauges or controls, in areas, which may be regularly hosed down or are in very wet or oily conditions. Provides a degree of protection from dust, dirt, oil, and water. For outdoor applications a drip shield is recommended. For installation information, consult our installation manual at [www.saginawcontrol.com](http://www.saginawcontrol.com).

## Construction

- 0.063" stainless steel Type 304.
- Seams continuously welded and ground smooth.
- Flange trough collar around all sides of door opening.
- Large viewing windows.
- Pour in place oil and water resistant gasket.
- Standoffs provided for mounting optional sub-panels.
- Removable hinges.
- Doors open 180 degrees.
- Black mini quarter turn latches.
- Latches are opened or closed with a screwdriver.
- Sealing washers and hole plugs included.
- Ground stud on door and body.
- Mounting holes in back.
- Mounting feet included.
- Padlocking or keylocking latches, and tamper-resistant hardware are available.

## IS6 Industry Standards

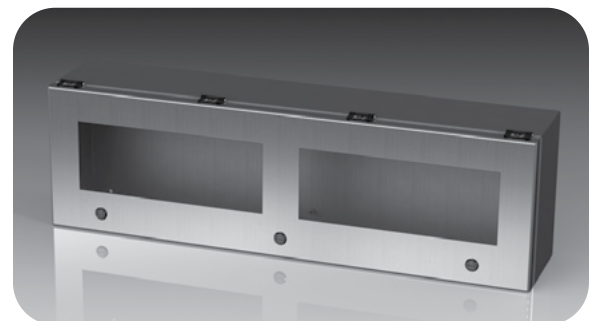
NEMA Type 3R, 4, 4X, 12 & Type 13  
 UL Listed Type 3R, 4, 4X & 12  
 CSA Type 3R, 4, 4X & 12  
 IEC 60529 IP66

\*\*\*To maintain Type 3R listing, drainage is required. Install equally rated drainage device or drill a 1/8 to 1/4 inch hole in the bottom center of the enclosure, approximately 1 inch from the right, and 1 inch from the left for drainage, use listed rain-tight or wet location hubs. Drip shield over the door is recommended for all outdoor applications.

Enclosure Product Code S6

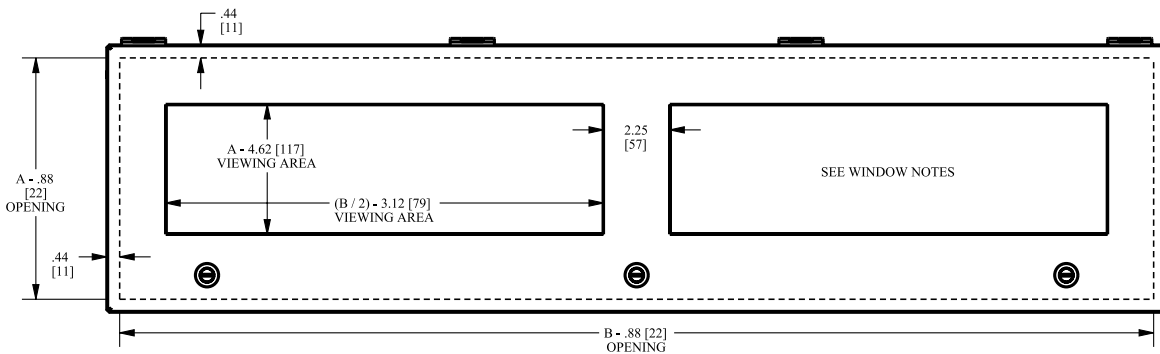
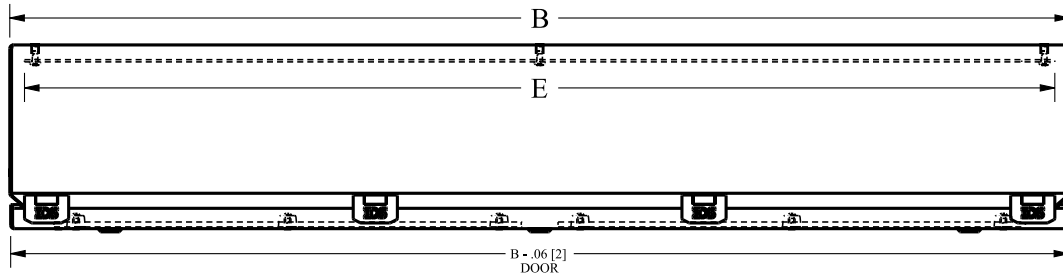
Sub-Panel (P3)

Catalog No.	Height (A)	Width (B)	Depth (C)	Industry Standard	Catalog No.	Panel Height (D)	Panel Width (E)
<a href="#">SCE-L9126ELJWSS</a>	9.00	12.00	6.00	IS6	<a href="#">SCE-9P12L</a>	8.00	11.00
<a href="#">SCE-L9128ELJWSS</a>	9.00	12.00	8.00	IS6	<a href="#">SCE-9P12L</a>	8.00	11.00
<a href="#">SCE-L9186ELJWSS</a>	9.00	18.00	6.00	IS6	<a href="#">SCE-9P18L</a>	8.00	17.00
<a href="#">SCE-L9188ELJWSS</a>	9.00	18.00	8.00	IS6	<a href="#">SCE-9P18L</a>	8.00	17.00
<a href="#">SCE-L9246ELJWSS</a>	9.00	24.00	6.00	IS6	<a href="#">SCE-9P24L</a>	8.00	23.00
<a href="#">SCE-L9248ELJWSS</a>	9.00	24.00	8.00	IS6	<a href="#">SCE-9P24L</a>	8.00	23.00
<a href="#">SCE-L9306ELJWSS</a>	9.00	30.00	6.00	IS6	<a href="#">SCE-9P30L</a>	8.00	29.00
<a href="#">SCE-L9308ELJWSS</a>	9.00	30.00	8.00	IS6	<a href="#">SCE-9P30L</a>	8.00	29.00
<a href="#">SCE-L9366ELJWSS</a>	9.00	36.00	6.00	IS6	<a href="#">SCE-9P36L</a>	8.00	35.00
<a href="#">SCE-L9368ELJWSS</a>	9.00	36.00	8.00	IS6	<a href="#">SCE-9P36L</a>	8.00	35.00



# STAINLESS STEEL ENVIROLINE® SERIES TROUGH JUNCTION ENCLOSURES WITH VIEWING WINDOW

## TECHNICAL DATA



**LATCH NOTES:**

One latch centered on door horizontally if width is  $\leq 14.00$  [356]

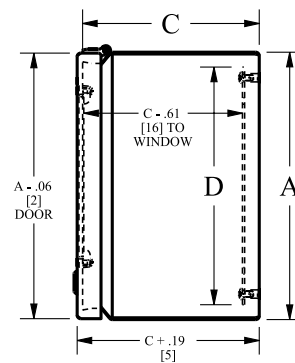
Two latches located 3.00 [76] from sides of door if width is  $> 14.00$  [356]

An Additional latch is centered horizontally if width is  $> 20.00$  [508]

**WINDOW NOTES:**

Door has a single window when viewing area width is  $\leq 16.00$  [406]

Door has two windows if viewing area width would be  $> 16.00$  for a single window.



## Application

Designed for use as electrical junction boxes, terminal wiring boxes, instrument housings, and electrical control enclosures. For use in wet and hosed down areas and in corrosive atmospheres. For installation information, consult our installation manual at [www.saginawcontrol.com](http://www.saginawcontrol.com).

## Construction

- 0.063" stainless steel Type 304 & 316/316L.
- Seams continuously welded and ground smooth.
- Stainless steel continuous hinge.
- Stainless steel external screw clamps are quick and easy to operate.
- Pour in place oil and water resistant gasket.
- Ground stud on door and body.
- Standoffs provided for mounting optional sub-panels.
- Welded mounting provision top and bottom of back.

## Finish

#4 brushed finish on all exterior surfaces. Optional sub-panels powder coated white.

## IS6 Industry Standards

NEMA Type 3R, 4, 4X, 12 & Type 13  
 UL Listed Type 3R, 4, 4X & 12  
 CSA Type 3R, 4, 4X & 12  
 IEC 60529 IP66

\*\*\*To maintain Type 3R listing, drainage is required. Install equally rated drainage device or drill a 1/8 to 1/4 inch hole in the bottom center of the enclosure, approximately 1 inch from the right, and 1 inch from the left for drainage, use listed rain-tight or wet location hubs. Drip shield over the door is recommended for all outdoor applications.



## 304 STAINLESS STEEL

Enclosure Product Code S1

Sub-Panel (P3)

Catalog No.	Height (A)	Width (B)	Depth (C)	Industry Standard	Catalog No.	Panel Height (D)	Panel Width (E)
<a href="#">SCE-6044CHNFSS</a>	6.13	4.00	4.00	IS6	<a href="#">SCE-6P4</a>	5.00	3.00
<a href="#">SCE-606CHNFSS</a>	6.13	6.00	4.00	IS6	<a href="#">SCE-6P6</a>	5.00	5.00
<a href="#">SCE-8064CHNFSS</a>	8.13	6.00	4.00	IS6	<a href="#">SCE-8P6</a>	7.00	5.00
<a href="#">SCE-1008CHNFSS</a>	10.13	8.00	4.00	IS6	<a href="#">SCE-10P8</a>	9.00	7.00
<a href="#">SCE-10086CHNFSS</a>	10.13	8.00	6.00	IS6	<a href="#">SCE-10P8</a>	9.00	7.00
<a href="#">SCE-12106CHNFSS</a>	12.13	10.00	6.00	IS6	<a href="#">SCE-12P10</a>	11.00	9.00
<a href="#">SCE-12108CHNFSS</a>	12.13	10.00	8.00	IS6	<a href="#">SCE-12P10</a>	11.00	9.00
<a href="#">SCE-1212CHNFSS</a>	12.13	12.00	6.00	IS6	<a href="#">SCE-12P12</a>	11.00	11.00
<a href="#">SCE-1412CHNFSS</a>	14.13	12.00	6.00	IS6	<a href="#">SCE-14P12</a>	13.00	11.00
<a href="#">SCE-1614CHNFSS</a>	16.13	14.00	6.00	IS6	<a href="#">SCE-16P14</a>	15.00	13.00
<a href="#">SCE-16148CHNFSS</a>	16.13	14.00	8.00	IS6	<a href="#">SCE-16P14</a>	15.00	13.00

## 316 STAINLESS STEEL

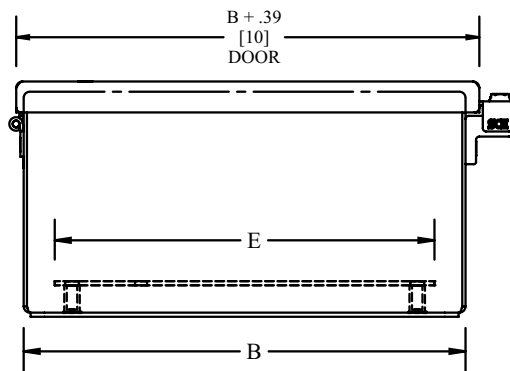
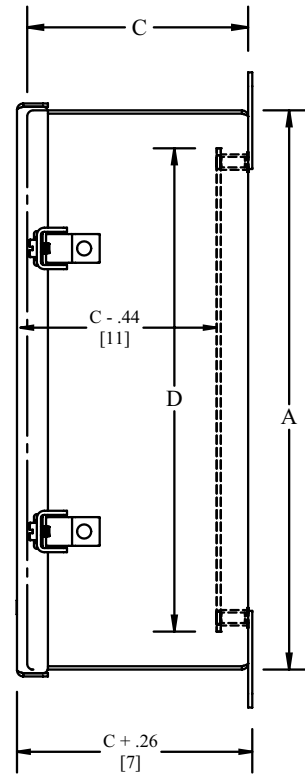
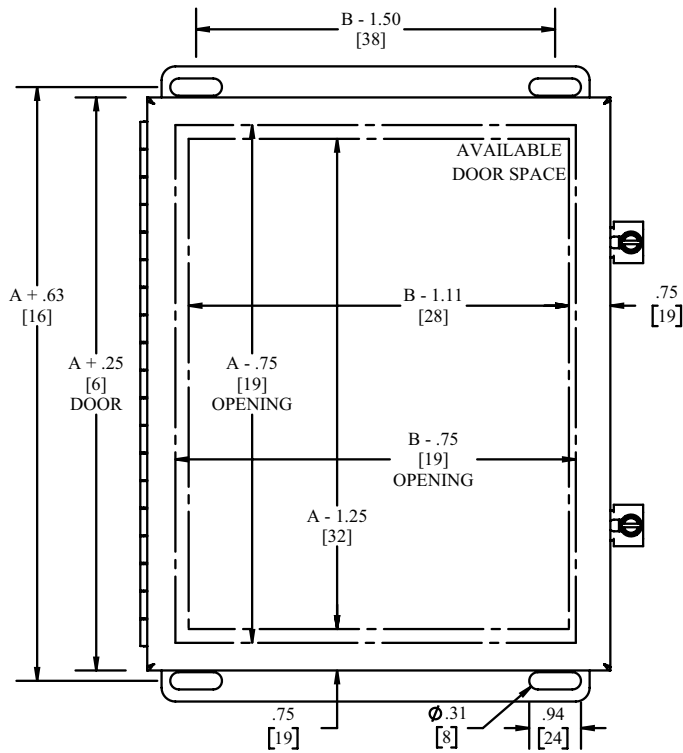
Enclosure Product Code S1

Sub-Panel (P3)

Catalog No.	Height (A)	Width (B)	Depth (C)	Industry Standard	Catalog No.	Panel Height (D)	Panel Width (E)
<a href="#">SCE-6044CHNFSS6</a>	6.13	4.00	4.00	IS6	<a href="#">SCE-6P4</a>	5.00	3.00
<a href="#">SCE-606CHNFSS6</a>	6.13	6.00	4.00	IS6	<a href="#">SCE-6P6</a>	5.00	5.00
<a href="#">SCE-8064CHNFSS6</a>	8.13	6.00	4.00	IS6	<a href="#">SCE-8P6</a>	7.00	5.00
<a href="#">SCE-1008CHNFSS6</a>	10.13	8.00	4.00	IS6	<a href="#">SCE-10P8</a>	9.00	7.00
<a href="#">SCE-10086CHNFSS6</a>	10.13	8.00	6.00	IS6	<a href="#">SCE-10P8</a>	9.00	7.00
<a href="#">SCE-12106CHNFSS6</a>	12.13	10.00	6.00	IS6	<a href="#">SCE-12P10</a>	11.00	9.00
<a href="#">SCE-12108CHNFSS6</a>	12.13	10.00	8.00	IS6	<a href="#">SCE-12P10</a>	11.00	9.00
<a href="#">SCE-1212CHNFSS6</a>	12.13	12.00	6.00	IS6	<a href="#">SCE-12P12</a>	11.00	11.00
<a href="#">SCE-1412CHNFSS6</a>	14.13	12.00	6.00	IS6	<a href="#">SCE-14P12</a>	13.00	11.00
<a href="#">SCE-1614CHNFSS6</a>	16.13	14.00	6.00	IS6	<a href="#">SCE-16P14</a>	15.00	13.00
<a href="#">SCE-16148CHNFSS6</a>	16.13	14.00	8.00	IS6	<a href="#">SCE-16P14</a>	15.00	13.00

# STAINLESS STEEL CONTINUOUS HINGE ENCLOSURES

## TECHNICAL DATA



NOTE:  
SUB-PANEL SOLD SEPARATELY.

CLAMPING NOTE:  
ENCLOSURES < 10.00 [254] IN HEIGHT REQUIRE  
ONE CLAMP CENTERED VERTICALLY ON DOOR.

# STAINLESS STEEL ENVIROLINE® SERIES WALL-MOUNT ENCLOSURES WITH 3-POINT HARDWARE

## Application

Designed to house electrical and electronic controls, instrumentation and components in indoor or outdoor locations. For outdoor applications a drip shield is recommended. For installation information, consult our installation manual at [www.saginawcontrol.com](http://www.saginawcontrol.com).

## Construction

- 0.075" stainless steel Type 304 & 316/316L.
- Seams continuously welded and ground smooth.
- Flange trough collar around all sides of door opening.
- Collar studs provided for mounting optional sub-panels.
- Mounting holes in back of the enclosure for wall-mounting.
- Mounting hardware, sealing washers and hole plugs included.
- Stainless steel concealed hinges.
- Removable and interchangeable doors.
- Black zinc die cast keylocking/padlocking handles.
- 3-point latching mechanism.
- Black quarter turn latches as required.
- Removable print pocket.
- Pour in place oil and water resistant gasket.
- Ground stud on door and body.

## Finish

#4 brushed finish on all exterior surfaces. Optional sub-panels powder coated white.

## IS6 Industry Standards

NEMA Type 3R, 4, 4X, 12 & Type 13  
 UL Listed Type 3R, 4, 4X & 12  
 CSA Type 3R, 4, 4X & 12  
 IEC 60529 IP66

\*\*\*To maintain Type 3R listing, drainage is required. Install equally rated drainage device or drill a 1/8 to 1/4 inch hole in the bottom center of the enclosure, approximately 1 inch from the right, and 1 inch from the left for drainage, use listed rain-tight or wet location hubs. Drip shield over the door is recommended for all outdoor applications.

## 304 STAINLESS STEEL

Catalog No.	Enclosure Product Code S9				Sub-Panel (P3')		
	Height (A)	Width (B)	Depth (C)	Industry Standard	Catalog No.	Panel Height (D)	Panel Width (E)
<a href="#">SCE-24EL2010SSLPPL</a>	24.00	20.00	10.00	IS6	<a href="#">SCE-24P20</a>	21.00	17.00
<a href="#">SCE-24EL2410SSLPPL</a>	24.00	24.00	10.00	IS6	<a href="#">SCE-24P24</a>	21.00	21.00
<a href="#">SCE-30EL2412SSLPPL</a>	30.00	24.00	12.00	IS6	<a href="#">SCE-30P24</a>	27.00	21.00
<a href="#">SCE-30EL3012SSLPPL</a>	30.00	30.00	12.00	IS6	<a href="#">SCE-30P30</a>	27.00	27.00
<a href="#">SCE-36EL2412SSLPPL</a>	36.00	24.00	12.00	IS6	<a href="#">SCE-36P24</a>	33.00	21.00
<a href="#">SCE-36EL3012SSLPPL</a>	36.00	30.00	12.00	IS6	<a href="#">SCE-36P30</a>	33.00	27.00
<a href="#">SCE-36EL3612SSLPPL</a>	36.00	36.00	12.00	IS6	<a href="#">SCE-36P30</a>	33.00	27.00
<a href="#">SCE-42EL3612SSLPPL</a>	42.00	36.00	12.00	IS6	<a href="#">SCE-42P36</a>	39.00	33.00
<a href="#">SCE-48EL3612SSLPPL</a>	48.00	36.00	12.00	IS6	<a href="#">SCE-48P36</a>	45.00	33.00
<a href="#">SCE-48EL3616SSLPPL</a>	48.00	36.00	16.00	IS6	<a href="#">SCE-48P36</a>	45.00	33.00
<a href="#">SCE-60EL3612SSLPPL</a>	60.00	36.00	12.00	IS6	<a href="#">SCE-60P36</a>	57.00	33.00
<a href="#">SCE-60EL3616SSLPPL</a>	60.00	36.00	16.00	IS6	<a href="#">SCE-60P36</a>	57.00	33.00
<a href="#">SCE-60EL3624SSLPPL</a>	60.00	36.00	24.00	IS6	<a href="#">SCE-60P36</a>	57.00	33.00
<a href="#">SCE-72EL3624SSLPPL</a>	72.00	36.00	24.00	IS6	<a href="#">SCE-72P36</a>	69.00	33.00

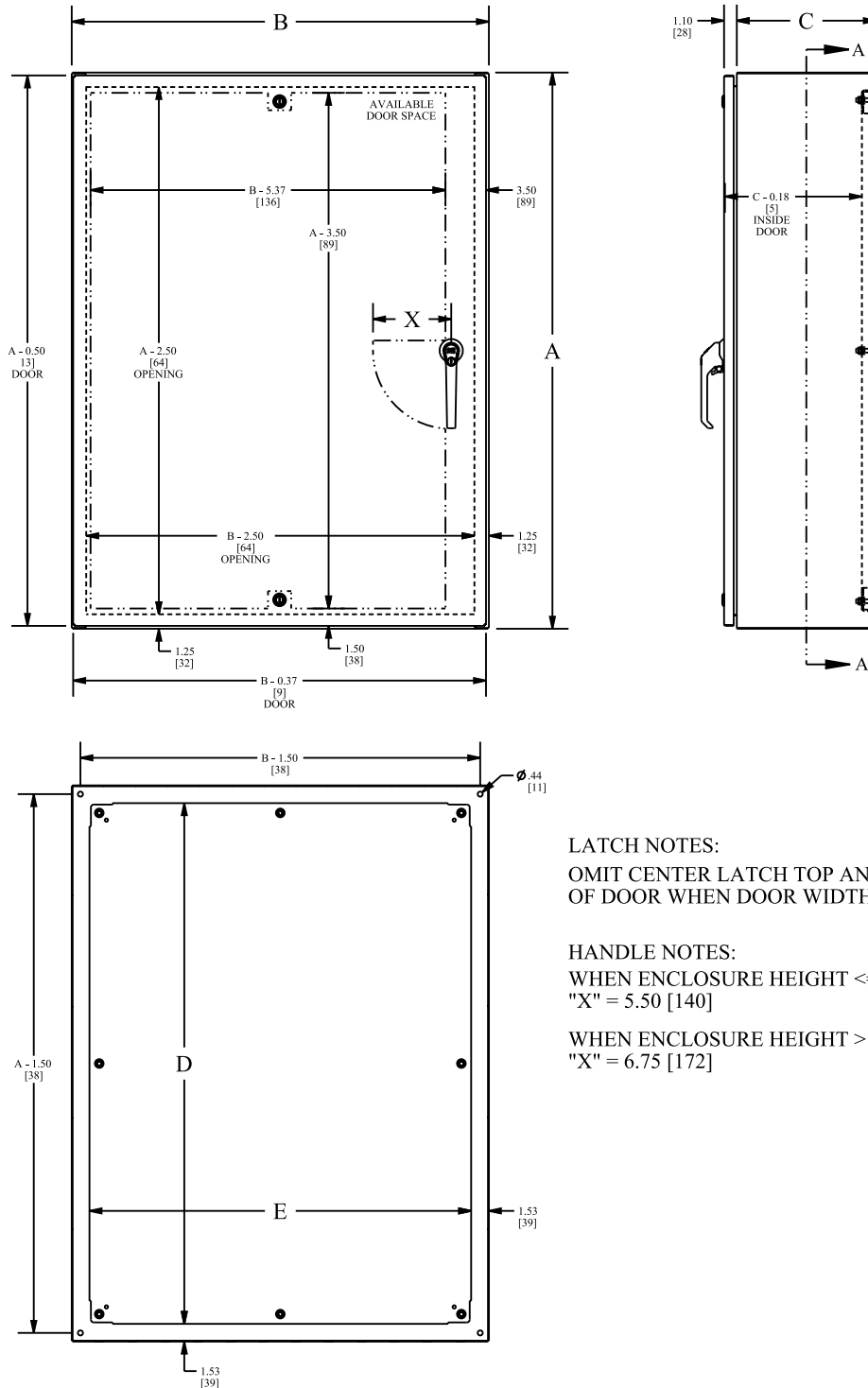
## 316 STAINLESS STEEL

Catalog No.	Enclosure Product Code S9				Sub-Panel (P3')		
	Height (A)	Width (B)	Depth (C)	Industry Standard	Catalog No.	Panel Height (D)	Panel Width (E)
<a href="#">SCE-24EL2010SS6LPPL</a>	24.00	20.00	10.00	IS6	SCE-24P20	21.00	17.00
<a href="#">SCE-24EL2410SS6LPPL</a>	24.00	24.00	10.00	IS6	SCE-24P24	21.00	21.00
<a href="#">SCE-30EL2412SS6LPPL</a>	30.00	24.00	12.00	IS6	SCE-30P24	27.00	21.00
<a href="#">SCE-30EL3012SS6LPPL</a>	30.00	30.00	12.00	IS6	SCE-30P30	27.00	27.00
<a href="#">SCE-36EL2412SS6LPPL</a>	36.00	24.00	12.00	IS6	SCE-36P24	33.00	21.00
<a href="#">SCE-36EL3012SS6LPPL</a>	36.00	30.00	12.00	IS6	SCE-36P30	33.00	27.00
<a href="#">SCE-42EL3612SS6LPPL</a>	42.00	36.00	12.00	IS6	SCE-42P36	39.00	33.00
<a href="#">SCE-48EL3612SS6LPPL</a>	48.00	36.00	12.00	IS6	SCE-48P36	45.00	33.00
<a href="#">SCE-60EL3612SS6LPPL</a>	60.00	36.00	12.00	IS6	SCE-60P36	57.00	33.00



# STAINLESS STEEL ENVIROLINE® SERIES WALL-MOUNT ENCLOSURES WITH 3-POINT HARDWARE

## TECHNICAL DATA



**LATCH NOTES:**  
 OMIT CENTER LATCH TOP AND BOTTOM OF DOOR WHEN DOOR WIDTH IS < 30.00 [762]

**HANDLE NOTES:**  
 WHEN ENCLOSURE HEIGHT ≤ 42.00 [1067]  
 "X" = 5.50 [140]  
 WHEN ENCLOSURE HEIGHT > 42.00 [1067]  
 "X" = 6.75 [172]

## Application

Designed to house electrical and electronic controls, instruments and components in areas which may be regularly hosed down or are in very wet conditions. Provides a degree of protection from dust, dirt, oil, and water. For outdoor applications a drip shield is recommended. For installation information, consult our installation manual at [www.saginawcontrol.com](http://www.saginawcontrol.com).

## Construction

- 0.075" stainless steel Type 304.
- Seams continuously welded and ground smooth.
- Flange trough collar around all sides of door opening.
- Pour in place oil and water resistant gasket.
- Collar studs provided for mounting optional sub-panels.
- Stainless steel concealed hinges.
- Removable and interchangeable doors.
- Black quarter turn latches.
- Latches are opened or closed with a screwdriver (optional tamper-resistant inserts are available).
- Mounting holes in back of enclosure.
- Mounting hardware, sealing washers and hole plugs included.
- Removable print pocket furnished if height and width of enclosure is greater than 12".
- Ground studs on door and body.

## Finish

#4 brushed finish on all exterior surfaces. Optional sub-panels powder coated white.

## Options

- Optional mounting feet available.
- Door hardware available.

## IS6 Industry Standards

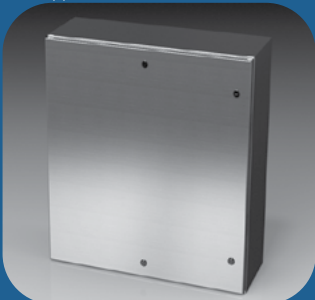
NEMA Type 3R, 4, 4X, 12 & Type 13

UL Listed Type 3R, 4, 4X & 12

CSA Type 3R, 4, 4X & 12

IEC 60529 IP66

\*\*\*To maintain Type 3R listing, drainage is required. Install equally rated drainage device or drill a 1/8 to 1/4 inch hole in the bottom center of the enclosure, approximately 1 inch from the right, and 1 inch from the left for drainage, use listed rain-tight or wet location hubs. Drip shield over the door is recommended for all outdoor applications.



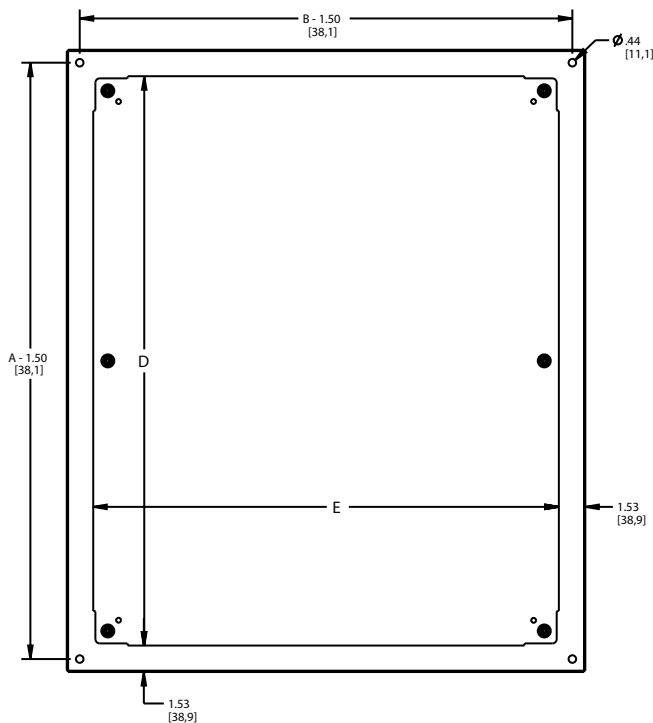
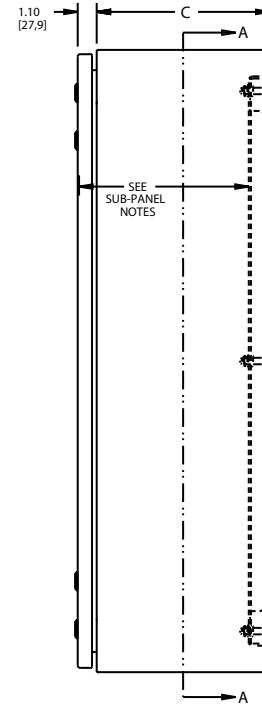
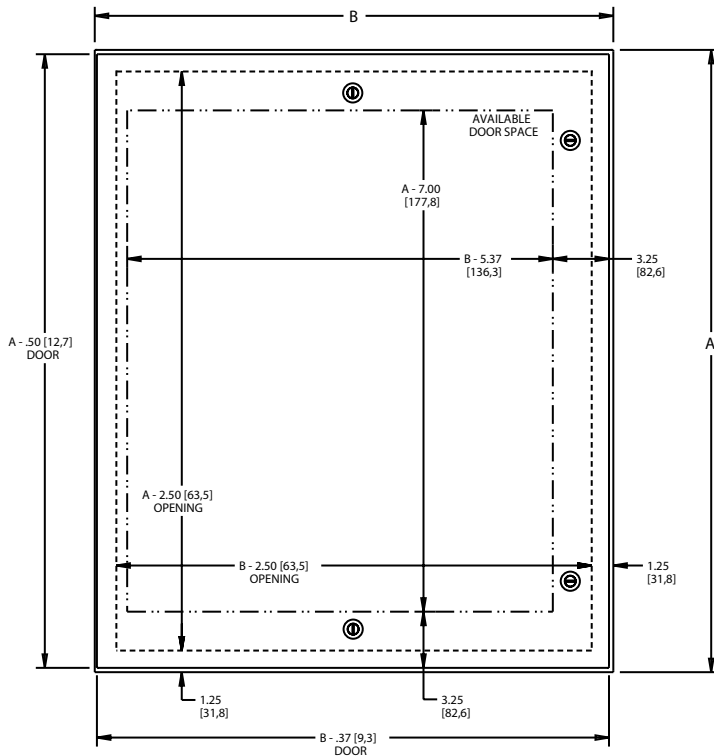
272

Enclosure Product Code S5

Sub-Panel (P3)

Catalog No.	Height (A)	Width (B)	Depth (C)	Industry Standard	Catalog No.	Panel Height (D)	Panel Width (E)
<a href="#">SCE-12EL1206SSLP</a>	12.00	12.00	6.00	IS6	<a href="#">SCE-12DLP12</a>	9.00	9.00
<a href="#">SCE-12EL2406SSLP</a>	12.00	24.00	6.00	IS6	<a href="#">SCE-12P24</a>	9.00	21.00
<a href="#">SCE-16EL1206SSLP</a>	16.00	12.00	6.00	IS6	<a href="#">SCE-16P12</a>	13.00	9.00
<a href="#">SCE-16EL1208SSLP</a>	16.00	12.00	8.00	IS6	<a href="#">SCE-16P12</a>	13.00	9.00
<a href="#">SCE-16EL1606SSLP</a>	16.00	16.00	6.00	IS6	<a href="#">SCE-16P16</a>	13.00	13.00
<a href="#">SCE-16EL1608SSLP</a>	16.00	16.00	8.00	IS6	<a href="#">SCE-16P16</a>	13.00	13.00
<a href="#">SCE-16EL2008SSLP</a>	16.00	20.00	8.00	IS6	<a href="#">SCE-20P16</a>	17.00	13.00
<a href="#">SCE-20EL1606SSLP</a>	20.00	16.00	6.00	IS6	<a href="#">SCE-20P16</a>	17.00	13.00
<a href="#">SCE-20EL1608SSLP</a>	20.00	16.00	8.00	IS6	<a href="#">SCE-20P16</a>	17.00	13.00
<a href="#">SCE-20EL1610SSLP</a>	20.00	16.00	10.00	IS6	<a href="#">SCE-20P16</a>	17.00	13.00
<a href="#">SCE-20EL2006SSLP</a>	20.00	20.00	6.00	IS6	<a href="#">SCE-20P20</a>	17.00	17.00
<a href="#">SCE-20EL2008SSLP</a>	20.00	20.00	8.00	IS6	<a href="#">SCE-20P20</a>	17.00	17.00
<a href="#">SCE-20EL2010SSLP</a>	20.00	20.00	10.00	IS6	<a href="#">SCE-20P20</a>	17.00	17.00
<a href="#">SCE-20EL2012SSLP</a>	20.00	20.00	12.00	IS6	<a href="#">SCE-20P20</a>	17.00	17.00
<a href="#">SCE-20EL2408SSLP</a>	20.00	24.00	8.00	IS6	<a href="#">SCE-24P20</a>	21.00	17.00
<a href="#">SCE-24EL1608SSLP</a>	24.00	16.00	8.00	IS6	<a href="#">SCE-24P16</a>	21.00	13.00
<a href="#">SCE-24EL2006SSLP</a>	24.00	20.00	6.00	IS6	<a href="#">SCE-24P20</a>	21.00	17.00
<a href="#">SCE-24EL2008SSLP</a>	24.00	20.00	8.00	IS6	<a href="#">SCE-24P20</a>	21.00	17.00
<a href="#">SCE-24EL2010SSLP</a>	24.00	20.00	10.00	IS6	<a href="#">SCE-24P20</a>	21.00	17.00
<a href="#">SCE-24EL2012SSLP</a>	24.00	20.00	12.00	IS6	<a href="#">SCE-24P20</a>	21.00	17.00
<a href="#">SCE-24EL2408SSLP</a>	24.00	24.00	8.00	IS6	<a href="#">SCE-24P24</a>	21.00	21.00
<a href="#">SCE-24EL2410SSLP</a>	24.00	24.00	10.00	IS6	<a href="#">SCE-24P24</a>	21.00	21.00
<a href="#">SCE-24EL2412SSLP</a>	24.00	24.00	12.00	IS6	<a href="#">SCE-24P24</a>	21.00	21.00
<a href="#">SCE-24EL2416SSLP</a>	24.00	24.00	16.00	IS6	<a href="#">SCE-24P24</a>	21.00	21.00
<a href="#">SCE-24EL3008SSLP</a>	24.00	30.00	8.00	IS6	<a href="#">SCE-30P24</a>	27.00	21.00
<a href="#">SCE-24EL3010SSLP</a>	24.00	30.00	10.00	IS6	<a href="#">SCE-30P24</a>	27.00	21.00
<a href="#">SCE-30EL1606SSLP</a>	30.00	16.00	6.00	IS6	<a href="#">SCE-30P16</a>	27.00	13.00
<a href="#">SCE-30EL2008SSLP</a>	30.00	20.00	8.00	IS6	<a href="#">SCE-30P20</a>	27.00	17.00
<a href="#">SCE-30EL2010SSLP</a>	30.00	20.00	10.00	IS6	<a href="#">SCE-30P20</a>	27.00	17.00
<a href="#">SCE-30EL2408SSLP</a>	30.00	24.00	8.00	IS6	<a href="#">SCE-30P24</a>	27.00	21.00
<a href="#">SCE-30EL2410SSLP</a>	30.00	24.00	10.00	IS6	<a href="#">SCE-30P24</a>	27.00	21.00
<a href="#">SCE-30EL2412SSLP</a>	30.00	24.00	12.00	IS6	<a href="#">SCE-30P24</a>	27.00	21.00
<a href="#">SCE-30EL2416SSLP</a>	30.00	24.00	16.00	IS6	<a href="#">SCE-30P24</a>	27.00	21.00
<a href="#">SCE-30EL3008SSLP</a>	30.00	30.00	8.00	IS6	<a href="#">SCE-30P30</a>	27.00	27.00
<a href="#">SCE-30EL3010SSLP</a>	30.00	30.00	10.00	IS6	<a href="#">SCE-30P30</a>	27.00	27.00
<a href="#">SCE-30EL3012SSLP</a>	30.00	30.00	12.00	IS6	<a href="#">SCE-30P30</a>	27.00	27.00
<a href="#">SCE-30EL3608SSLP</a>	30.00	36.00	8.00	IS6	<a href="#">SCE-36P30</a>	33.00	27.00
<a href="#">SCE-36EL2408SSLP</a>	36.00	24.00	8.00	IS6	<a href="#">SCE-36P24</a>	33.00	21.00
<a href="#">SCE-36EL2410SSLP</a>	36.00	24.00	10.00	IS6	<a href="#">SCE-36P24</a>	33.00	21.00
<a href="#">SCE-36EL3008SSLP</a>	36.00	30.00	8.00	IS6	<a href="#">SCE-36P30</a>	33.00	27.00
<a href="#">SCE-36EL3010SSLP</a>	36.00	30.00	10.00	IS6	<a href="#">SCE-36P30</a>	33.00	27.00
<a href="#">SCE-36EL3012SSLP</a>	36.00	30.00	12.00	IS6	<a href="#">SCE-36P30</a>	33.00	27.00
<a href="#">SCE-36EL3016SSLP</a>	36.00	30.00	16.00	IS6	<a href="#">SCE-36P30</a>	33.00	27.00
<a href="#">SCE-36EL3608SSLP</a>	36.00	36.00	8.00	IS6	<a href="#">SCE-36P36</a>	33.00	33.00
<a href="#">SCE-36EL3612SSLP</a>	36.00	36.00	12.00	IS6	<a href="#">SCE-36P36</a>	33.00	33.00
<a href="#">SCE-42EL2410SSLP</a>	42.00	24.00	10.00	IS6	<a href="#">SCE-42P24</a>	39.00	21.00
<a href="#">SCE-42EL3010SSLP</a>	42.00	30.00	10.00	IS6	<a href="#">SCE-42P30</a>	39.00	27.00
<a href="#">SCE-42EL3012SSLP</a>	42.00	30.00	12.00	IS6	<a href="#">SCE-42P30</a>	39.00	27.00
<a href="#">SCE-42EL3612SSLP</a>	42.00	36.00	12.00	IS6	<a href="#">SCE-42P36</a>	39.00	33.00
<a href="#">SCE-42EL3616SSLP</a>	42.00	36.00	16.00	IS6	<a href="#">SCE-42P36</a>	39.00	33.00
<a href="#">SCE-48EL2412SSLP</a>	48.00	24.00	12.00	IS6	<a href="#">SCE-48P24</a>	45.00	21.00
<a href="#">SCE-48EL3612SSLP</a>	48.00	36.00	12.00	IS6	<a href="#">SCE-48P36</a>	45.00	33.00
<a href="#">SCE-48EL3616SSLP</a>	48.00	36.00	16.00	IS6	<a href="#">SCE-48P36</a>	45.00	33.00
<a href="#">SCE-60EL3612SSLP</a>	60.00	36.00	12.00	IS6	<a href="#">SCE-60P36</a>	57.00	33.00
<a href="#">SCE-60EL3616SSLP</a>	60.00	36.00	16.00	IS6	<a href="#">SCE-60P36</a>	57.00	33.00
<a href="#">SCE-60EL3624SSLP</a>	60.00	36.00	24.00	IS6	<a href="#">SCE-60P36</a>	57.00	33.00
<a href="#">SCE-72EL3016SSLP</a>	72.00	30.00	16.00	IS6	<a href="#">SCE-72P30</a>	69.00	27.00
<a href="#">SCE-72EL3612SSLP</a>	72.00	36.00	12.00	IS6	<a href="#">SCE-72P36</a>	69.00	33.00
<a href="#">SCE-72EL3616SSLP</a>	72.00	36.00	16.00	IS6	<a href="#">SCE-72P36</a>	69.00	33.00





SECTION A-A

**SUB-PANEL NOTES:**

Dimensions are from the inside of the door  
 $C + 0.32$  [8,1] for flat sub-panels  
 $C - 0.18$  [4,5] for bent sub-panels

**LATCH NOTES:**

Enclosures  $< 24.00$ " [609,6] in height require only one latch centered on door.  
 Enclosures  $\geq 24.00$ " [609,6] and  $< 40.00$ " [1016] in height require two latches on door.  
 Enclosures  $\geq 40.00$ " [1016] require three latches on door.  
 Omit center latch top and bottom of door when door width is  $\leq 30.00$ " [762]

# 316 STAINLESS STEEL ENVIROLINE® SERIES ENCLOSURES

## Application

Designed to house electrical and electronic controls, instruments and components in areas which may be regularly hosed down or are in very wet conditions. Provides a degree of protection from dust, dirt, oil, and water. For outdoor applications a drip shield is recommended. For installation information, consult our installation manual at [www.saginawcontrol.com](http://www.saginawcontrol.com).

## Construction

- 0.075" stainless steel Type 316.
- Seams continuously welded and ground smooth.
- Flange trough collar around all sides of door opening.
- Pour in place oil and water resistant gasket.
- Collar studs provided for mounting optional sub-panels.
- Stainless steel concealed hinges.
- Removable and interchangeable doors.
- Black quarter turn latches.
- Latches are opened or closed with a screwdriver (optional tamper-resistant inserts are available).
- Mounting holes in back of enclosure.
- Mounting hardware, sealing washers and hole plugs included.
- Removable print pocket furnished if height and width of enclosure is greater than 12".
- Ground studs on door and body.

## Finish

#4 brushed finish on all exterior surfaces. Optional sub-panels powder coated white.

## Options

- Optional mounting feet available.
- Door hardware available.

## IS6 Industry Standards

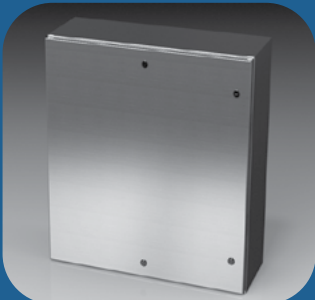
NEMA Type 3R, 4, 4X, 12 & Type 13

UL Listed Type 3R, 4, 4X & 12

CSA Type 3R, 4, 4X & 12

IEC 60529 IP66

\*\*\*To maintain Type 3R listing, drainage is required. Install equally rated drainage device or drill a 1/8 to 1/4 inch hole in the bottom center of the enclosure, approximately 1 inch from the right, and 1 inch from the left for drainage, use listed rain-tight or wet location hubs. Drip shield over the door is recommended for all outdoor applications.

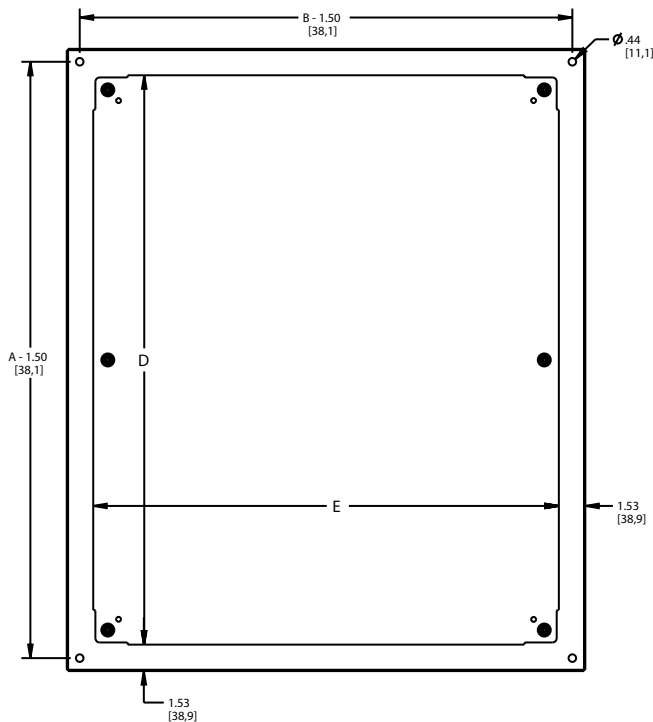
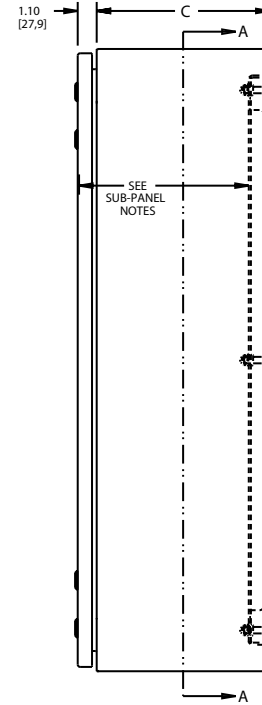
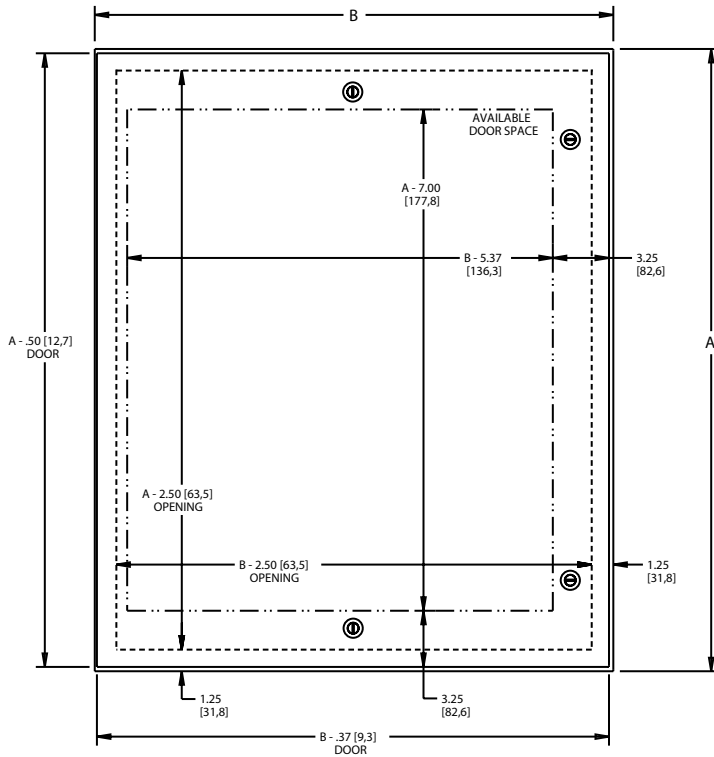


Enclosure Product Code S5

Sub-Panel (P3)

Catalog No.	Height (A)	Width (B)	Depth (C)	Industry Standard	Catalog No.	Panel Height (D)	Panel Width (E)
<a href="#">SCE-12EL1206SS6LP</a>	12.00	12.00	6.00	IS6	<a href="#">SCE-12DLP12</a>	9.00	9.00
<a href="#">SCE-12EL2406SS6LP</a>	12.00	24.00	6.00	IS6	<a href="#">SCE-12P24</a>	9.00	21.00
<a href="#">SCE-16EL1206SS6LP</a>	16.00	12.00	6.00	IS6	<a href="#">SCE-16P12</a>	13.00	9.00
<a href="#">SCE-16EL1208SS6LP</a>	16.00	12.00	8.00	IS6	<a href="#">SCE-16P12</a>	13.00	9.00
<a href="#">SCE-16EL1606SS6LP</a>	16.00	16.00	6.00	IS6	<a href="#">SCE-16P16</a>	13.00	13.00
<a href="#">SCE-16EL1608SS6LP</a>	16.00	16.00	8.00	IS6	<a href="#">SCE-16P16</a>	13.00	13.00
<a href="#">SCE-16EL2008SS6LP</a>	16.00	20.00	8.00	IS6	<a href="#">SCE-20P16</a>	17.00	13.00
<a href="#">SCE-20EL1606SS6LP</a>	20.00	16.00	6.00	IS6	<a href="#">SCE-20P16</a>	17.00	13.00
<a href="#">SCE-20EL1608SS6LP</a>	20.00	16.00	8.00	IS6	<a href="#">SCE-20P16</a>	17.00	13.00
<a href="#">SCE-20EL1610SS6LP</a>	20.00	16.00	10.00	IS6	<a href="#">SCE-20P16</a>	17.00	13.00
<a href="#">SCE-20EL2006SS6LP</a>	20.00	20.00	6.00	IS6	<a href="#">SCE-20P20</a>	17.00	17.00
<a href="#">SCE-20EL2008SS6LP</a>	20.00	20.00	8.00	IS6	<a href="#">SCE-20P20</a>	17.00	17.00
<a href="#">SCE-20EL2010SS6LP</a>	20.00	20.00	10.00	IS6	<a href="#">SCE-20P20</a>	17.00	17.00
<a href="#">SCE-20EL2408SS6LP</a>	20.00	24.00	8.00	IS6	<a href="#">SCE-24P20</a>	21.00	17.00
<a href="#">SCE-24EL1608SS6LP</a>	24.00	16.00	8.00	IS6	<a href="#">SCE-24P16</a>	21.00	13.00
<a href="#">SCE-24EL2006SS6LP</a>	24.00	20.00	6.00	IS6	<a href="#">SCE-24P20</a>	21.00	17.00
<a href="#">SCE-24EL2008SS6LP</a>	24.00	20.00	8.00	IS6	<a href="#">SCE-24P20</a>	21.00	17.00
<a href="#">SCE-24EL2010SS6LP</a>	24.00	20.00	10.00	IS6	<a href="#">SCE-24P20</a>	21.00	17.00
<a href="#">SCE-24EL2012SS6LP</a>	24.00	20.00	12.00	IS6	<a href="#">SCE-24P20</a>	21.00	17.00
<a href="#">SCE-24EL2408SS6LP</a>	24.00	24.00	8.00	IS6	<a href="#">SCE-24P24</a>	21.00	21.00
<a href="#">SCE-24EL2410SS6LP</a>	24.00	24.00	10.00	IS6	<a href="#">SCE-24P24</a>	21.00	21.00
<a href="#">SCE-24EL2412SS6LP</a>	24.00	24.00	12.00	IS6	<a href="#">SCE-24P24</a>	21.00	21.00
<a href="#">SCE-24EL2416SS6LP</a>	24.00	24.00	16.00	IS6	<a href="#">SCE-24P24</a>	21.00	21.00
<a href="#">SCE-24EL3008SS6LP</a>	24.00	30.00	8.00	IS6	<a href="#">SCE-30P24</a>	27.00	21.00
<a href="#">SCE-24EL3010SS6LP</a>	24.00	30.00	10.00	IS6	<a href="#">SCE-30P24</a>	27.00	21.00
<a href="#">SCE-30EL1606SS6LP</a>	30.00	16.00	6.00	IS6	<a href="#">SCE-30P16</a>	27.00	13.00
<a href="#">SCE-30EL2008SS6LP</a>	30.00	20.00	8.00	IS6	<a href="#">SCE-30P20</a>	27.00	17.00
<a href="#">SCE-30EL2010SS6LP</a>	30.00	20.00	10.00	IS6	<a href="#">SCE-30P20</a>	27.00	17.00
<a href="#">SCE-30EL2408SS6LP</a>	30.00	24.00	8.00	IS6	<a href="#">SCE-30P24</a>	27.00	21.00
<a href="#">SCE-30EL2410SS6LP</a>	30.00	24.00	10.00	IS6	<a href="#">SCE-30P24</a>	27.00	21.00
<a href="#">SCE-30EL2412SS6LP</a>	30.00	24.00	12.00	IS6	<a href="#">SCE-30P24</a>	27.00	21.00
<a href="#">SCE-30EL2416SS6LP</a>	30.00	24.00	16.00	IS6	<a href="#">SCE-30P24</a>	27.00	21.00
<a href="#">SCE-30EL3008SS6LP</a>	30.00	30.00	8.00	IS6	<a href="#">SCE-30P30</a>	27.00	27.00
<a href="#">SCE-30EL3010SS6LP</a>	30.00	30.00	10.00	IS6	<a href="#">SCE-30P30</a>	27.00	27.00
<a href="#">SCE-30EL3012SS6LP</a>	30.00	30.00	12.00	IS6	<a href="#">SCE-30P30</a>	27.00	27.00
<a href="#">SCE-30EL3608SS6LP</a>	30.00	36.00	8.00	IS6	<a href="#">SCE-36P30</a>	33.00	27.00
<a href="#">SCE-36EL2408SS6LP</a>	36.00	24.00	8.00	IS6	<a href="#">SCE-36P24</a>	33.00	21.00
<a href="#">SCE-36EL2410SS6LP</a>	36.00	24.00	10.00	IS6	<a href="#">SCE-36P24</a>	33.00	21.00
<a href="#">SCE-36EL3008SS6LP</a>	36.00	30.00	8.00	IS6	<a href="#">SCE-36P30</a>	33.00	27.00
<a href="#">SCE-36EL3010SS6LP</a>	36.00	30.00	10.00	IS6	<a href="#">SCE-36P30</a>	33.00	27.00
<a href="#">SCE-36EL3012SS6LP</a>	36.00	30.00	12.00	IS6	<a href="#">SCE-36P30</a>	33.00	27.00
<a href="#">SCE-36EL3608SS6LP</a>	36.00	36.00	8.00	IS6	<a href="#">SCE-36P36</a>	33.00	33.00
<a href="#">SCE-36EL3612SS6LP</a>	36.00	36.00	12.00	IS6	<a href="#">SCE-36P36</a>	33.00	33.00
<a href="#">SCE-42EL2410SS6LP</a>	42.00	24.00	10.00	IS6	<a href="#">SCE-42P24</a>	39.00	21.00
<a href="#">SCE-42EL3010SS6LP</a>	42.00	30.00	10.00	IS6	<a href="#">SCE-42P30</a>	39.00	27.00
<a href="#">SCE-42EL3612SS6LP</a>	42.00	36.00	12.00	IS6	<a href="#">SCE-42P36</a>	39.00	33.00
<a href="#">SCE-42EL3616SS6LP</a>	42.00	36.00	16.00	IS6	<a href="#">SCE-42P36</a>	39.00	33.00
<a href="#">SCE-48EL3612SS6LP</a>	48.00	36.00	12.00	IS6	<a href="#">SCE-48P36</a>	45.00	33.00
<a href="#">SCE-48EL3616SS6LP</a>	48.00	36.00	16.00	IS6	<a href="#">SCE-48P36</a>	45.00	33.00
<a href="#">SCE-60EL3612SS6LP</a>	60.00	36.00	12.00	IS6	<a href="#">SCE-60P36</a>	57.00	33.00
<a href="#">SCE-60EL3616SS6LP</a>	60.00	36.00	16.00	IS6	<a href="#">SCE-60P36</a>	57.00	33.00
<a href="#">SCE-72EL3016SS6LP</a>	72.00	30.00	16.00	IS6	<a href="#">SCE-72P30</a>	69.00	27.00
<a href="#">SCE-72EL3612SS6LP</a>	72.00	36.00	12.00	IS6	<a href="#">SCE-72P36</a>	69.00	33.00
<a href="#">SCE-72EL3616SS6LP</a>	72.00	36.00	16.00	IS6	<a href="#">SCE-72P36</a>	69.00	33.00

# 316 STAINLESS STEEL ENVIROLINE® SERIES ENCLOSURES TECHNICAL DATA



SECTION A-A

**SUB-PANEL NOTES:**

Dimensions are from the inside of the door  
 $C + 0.32$  [8,1] for flat sub-panels  
 $C - 0.18$  [4,5] for bent sub-panels

**LATCH NOTES:**

Enclosures  $< 24.00"$  [609,6] in height require only one latch centered on door.  
 Enclosures  $\geq 24.00"$  [609,6] and  $< 40.00"$  [1016] in height require two latches on door.  
 Enclosures  $\geq 40.00"$  [1016] require three latches on door.  
 Omit center latch top and bottom of door when door width is  $\leq 30.00"$  [762]

# STAINLESS STEEL ENVIROLINE® SERIES WALL-MOUNT SLOPING TOP ENCLOSURES

## Application

Designed to house electrical and electronic controls, instrumentation and components in indoor, outdoor and sanitary locations. For installation information, consult our installation manual at [www.saginawcontrol.com](http://www.saginawcontrol.com).

## Construction

- 0.075" stainless steel Type 304.
- Seams continuously welded and ground smooth.
- Flange trough collar around all sides of door opening.
- 15 Degree Sloping Top.
- Collar studs provided for mounting optional sub-panels.
- Mounting holes in back of the enclosure for wall-mounting.
- Mounting hardware, sealing washers and hole plugs included.
- Stainless steel concealed hinges.
- Removable and interchangeable doors.
- Black quarter turn latches.
- Latches are opened or closed with a screwdriver (optional tamper resistant latches are available).
- Removable print pocket furnished on enclosures with width greater than 12".
- Pour in place oil & water resistant gasket.
- Ground stud on door and body.

## Finish

#4 brushed finish on all exterior surfaces. Optional sub-panels powder coated white.

## Options

- Optional mounting feet available.
- Door hardware available.

## IS6 Industry Standards

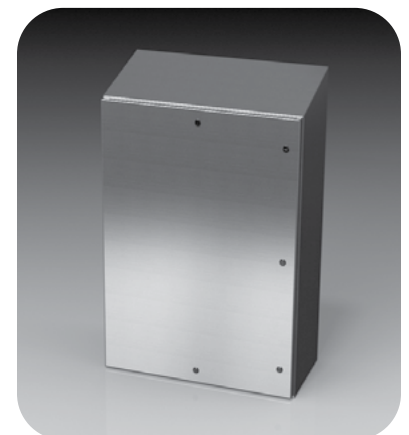
NEMA Type 3R, 4, 4X, 12 & Type 13  
 UL Listed Type 3R, 4, 4X & 12  
 CSA Type 3R, 4, 4X & 12  
 IEC 60529 IP66

\*\*\*To maintain Type 3R listing, drainage is required. Install equally rated drainage device or drill a 1/8 to 1/4 inch hole in the bottom center of the enclosure, approximately 1 inch from the right, and 1 inch from the left for drainage, use listed rain-tight or wet location hubs. Drip shield over the door is recommended for all outdoor applications.

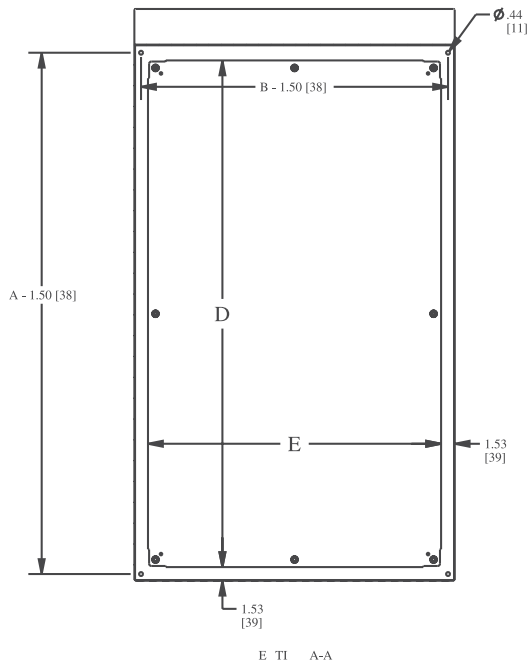
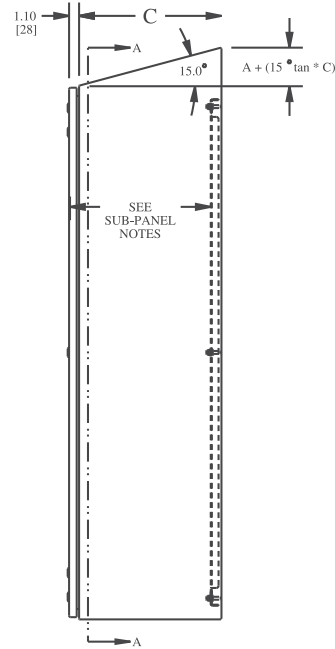
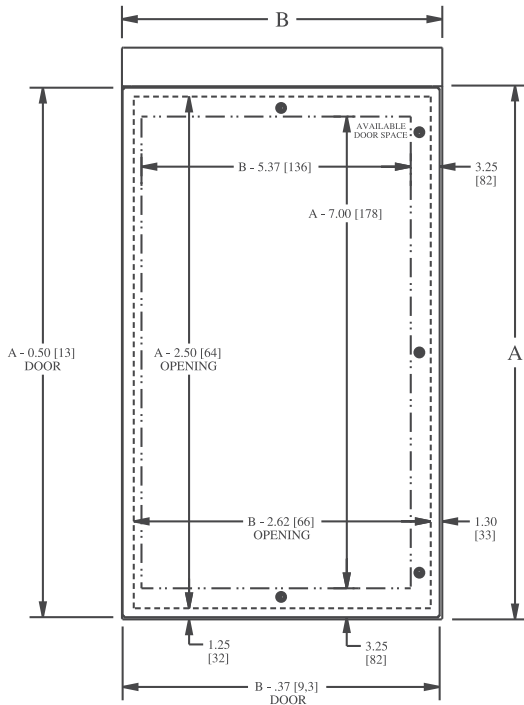
Enclosure Product Code S8

Sub-Panel (P3)

Catalog No.	Height (A)	Width (B)	Depth (C)	Industry Standard	Sub-Panel (P3)		
					Catalog No.	Panel Height (D)	Panel Width (E)
<a href="#">SCE-16EL1208SSST</a>	16.00	12.00	8.00	IS6	<a href="#">SCE-16P12</a>	13.00	9.00
<a href="#">SCE-16EL1608SSST</a>	16.00	16.00	8.00	IS6	<a href="#">SCE-16P16</a>	13.00	13.00
<a href="#">SCE-20EL1606SSST</a>	20.00	16.00	6.00	IS6	<a href="#">SCE-20P16</a>	17.00	13.00
<a href="#">SCE-20EL1608SSST</a>	20.00	16.00	8.00	IS6	<a href="#">SCE-20P16</a>	17.00	13.00
<a href="#">SCE-20EL1612SSST</a>	20.00	16.00	12.00	IS6	<a href="#">SCE-20P16</a>	17.00	13.00
<a href="#">SCE-20EL2008SSST</a>	20.00	20.00	8.00	IS6	<a href="#">SCE-20P20</a>	17.00	17.00
<a href="#">SCE-20EL2012SSST</a>	20.00	20.00	12.00	IS6	<a href="#">SCE-20P20</a>	17.00	17.00
<a href="#">SCE-24EL2008SSST</a>	24.00	20.00	8.00	IS6	<a href="#">SCE-24P20</a>	21.00	17.00
<a href="#">SCE-24EL2012SSST</a>	24.00	20.00	12.00	IS6	<a href="#">SCE-24P20</a>	21.00	17.00
<a href="#">SCE-24EL2408SSST</a>	24.00	24.00	8.00	IS6	<a href="#">SCE-24P24</a>	21.00	21.00
<a href="#">SCE-24EL2412SSST</a>	24.00	24.00	12.00	IS6	<a href="#">SCE-24P24</a>	21.00	21.00
<a href="#">SCE-24EL2416SSST</a>	24.00	24.00	16.00	IS6	<a href="#">SCE-24P24</a>	21.00	21.00
<a href="#">SCE-30EL2408SSST</a>	30.00	24.00	8.00	IS6	<a href="#">SCE-30P24</a>	27.00	21.00
<a href="#">SCE-30EL2412SSST</a>	30.00	24.00	12.00	IS6	<a href="#">SCE-30P24</a>	27.00	21.00
<a href="#">SCE-30EL3008SSST</a>	30.00	30.00	8.00	IS6	<a href="#">SCE-30P30</a>	27.00	27.00
<a href="#">SCE-30EL3012SSST</a>	30.00	30.00	12.00	IS6	<a href="#">SCE-30P30</a>	27.00	27.00
<a href="#">SCE-36EL2408SSST</a>	36.00	24.00	8.00	IS6	<a href="#">SCE-36P24</a>	33.00	21.00
<a href="#">SCE-36EL2412SSST</a>	36.00	24.00	12.00	IS6	<a href="#">SCE-36P24</a>	33.00	21.00
<a href="#">SCE-36EL3008SSST</a>	36.00	30.00	8.00	IS6	<a href="#">SCE-36P30</a>	33.00	27.00
<a href="#">SCE-36EL3012SSST</a>	36.00	30.00	12.00	IS6	<a href="#">SCE-36P30</a>	33.00	27.00
<a href="#">SCE-36EL3016SSST</a>	36.00	30.00	16.00	IS6	<a href="#">SCE-36P30</a>	33.00	27.00
<a href="#">SCE-36EL3612SSST</a>	36.00	36.00	12.00	IS6	<a href="#">SCE-36P36</a>	33.00	33.00
<a href="#">SCE-48EL3612SSST</a>	48.00	36.00	12.00	IS6	<a href="#">SCE-48P36</a>	45.00	33.00
<a href="#">SCE-48EL3616SSST</a>	48.00	36.00	16.00	IS6	<a href="#">SCE-48P36</a>	45.00	33.00
<a href="#">SCE-60EL3612SSST</a>	60.00	36.00	12.00	IS6	<a href="#">SCE-60P36</a>	57.00	33.00
<a href="#">SCE-60EL3616SSST</a>	60.00	36.00	16.00	IS6	<a href="#">SCE-60P36</a>	57.00	33.00



# STAINLESS STEEL ENVIROLINE® SERIES WALL-MOUNT SLOPING TOP ENCLOSURES TECHNICAL DATA



**SUB-PANEL NOTES:**

Dimensions are from the inside of the door  
 C = 0.32 [x,1] for flat sub-panels  
 C = 0.18 [4,5] for bent sub-panels

**LATCH NOTES:**

Enclosures < 24.00" [609,6] in height require only one latch centered on door.  
 Enclosures  $\geq$  24.00" [609,6] and < 40.00" [1016] in height require two latches on door.  
 Enclosures  $\geq$  40.00" [1016] require three latches on door.  
 Omit center latch top and bottom of door when door width is  $\leq$  30.00" [762]

# STAINLESS STEEL ENVIROLINE® SERIES JUNCTION SLOPING TOP ENCLOSURES

## Application

Designed to house electrical controls, instruments and components in areas which may be regularly hosed down or are in very wet or oily conditions. Provides protection from dust, dirt, oil, and water.

## Construction

- 0.063" stainless steel Type 304.
- Seams continuously welded and ground smooth.
- Flange trough collar around all sides of door opening.
- Pour in place oil and water resistant gasket.
- 10-32 Standoffs provided for mounting optional panels.
- Removable hinges.
- Doors open 180 degrees.
- Black mini quarter turn latches.
- Latches are opened or closed with a screwdriver.
- Ground stud on door & body.
- Mounting feet included.
- 10 degree sloping top.

## Finish

#4 brushed finish on all exterior surfaces. Optional sub-panels powder coated white.

## IS6 Industry Standards

NEMA Type 3R, 4, 4X, 12 & Type 13

UL Listed Type 3R, 4, 4X & 12

CSA Type 3R, 4, 4X & 12

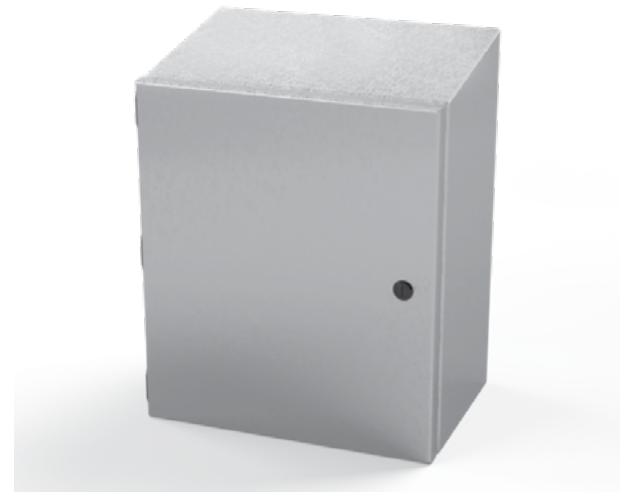
IEC 60529 IP66

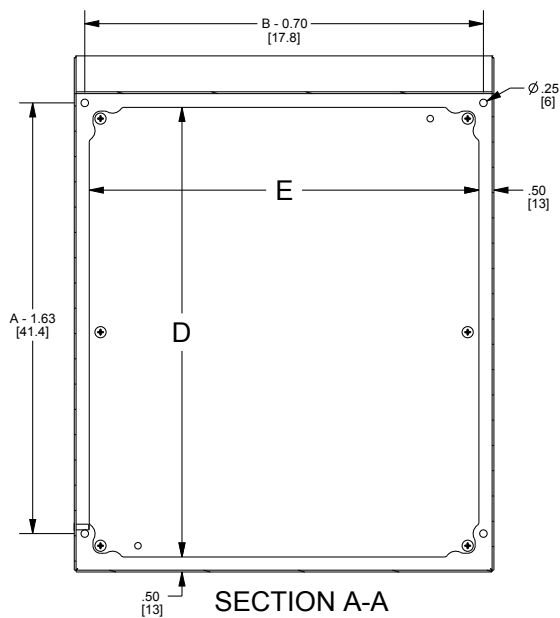
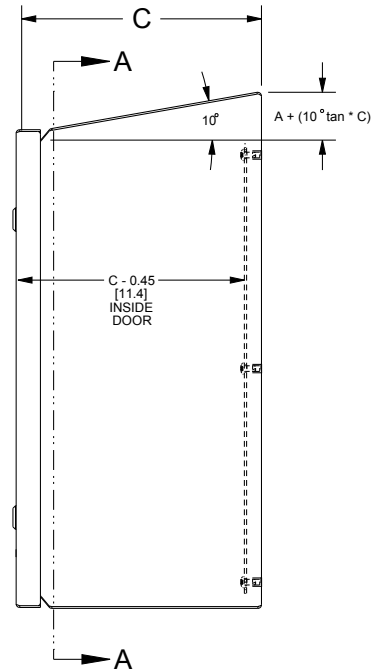
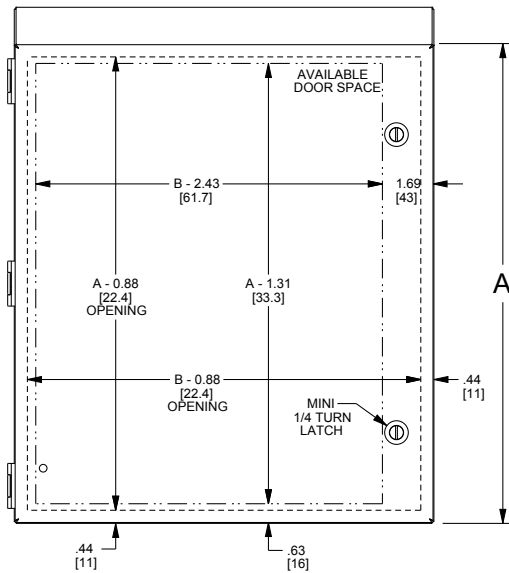
\*\*\*To maintain Type 3R listing, drainage is required. Install equally rated drainage device or drill a 1/8 to 1/4 inch hole in the bottom center of the enclosure, approximately 1 inch from the right, and 1 inch from the left for drainage, use listed rain-tight or wet location hubs. Drip shield over the door is recommended for all outdoor applications.

Enclosure Product Code S8

Sub-Panel (P3)

Catalog No.	Height (A)	Width (B)	Depth (C)	Industry Standard	Catalog No.	Panel Height (D)	Panel Width (E)
<a href="#">SCE-604ELJSSST</a>	6.00	4.00	4.00	IS6	SCE-6P4	5.00	3.00
<a href="#">SCE-606ELJSSST</a>	6.00	6.00	4.00	IS6	SCE-6P6	5.00	5.00
<a href="#">SCE-806ELJSSST</a>	8.00	6.00	4.00	IS6	SCE-8P6	7.00	5.00
<a href="#">SCE-8066ELJSSST</a>	8.00	6.00	6.00	IS6	SCE-8P6	7.00	5.00
<a href="#">SCE-1008ELJSSST</a>	10.00	8.00	4.00	IS6	SCE-10P8	9.00	7.00
<a href="#">SCE-10086ELJSSST</a>	10.00	8.00	6.00	IS6	SCE-10P8	9.00	7.00
<a href="#">SCE-1210ELJSSST</a>	12.00	10.00	6.00	IS6	SCE-12P10	11.00	9.00
<a href="#">SCE-12108ELJSSST</a>	12.00	10.00	8.00	IS6	SCE-12P10	11.00	9.00
<a href="#">SCE-1212ELJSSST</a>	12.00	12.00	6.00	IS6	SCE-12P12	11.00	11.00
<a href="#">SCE-14128ELJSSST</a>	14.00	12.00	8.00	IS6	SCE-14P12	13.00	11.00
<a href="#">SCE-16148ELJSSST</a>	16.00	14.00	8.00	IS6	SCE-16P14	15.00	13.00





**LATCH NOTES:**  
One latch centered on the door vertically if height is  $\leq 14.00$  [356]

Two latches located 3.00 [76] from top & bottom of door if height is  $> 14.00$  [356]

# STAINLESS STEEL SANITARY SLOPING TOP HINGED COVER ENCLOSURES

## Application

Designed to withstand high pressure and high temperature washdown procedures with direct and indirect food contact applications within the Food & Beverage industry. Enclosure is designed with internal swing-out hinges to reduce bacteria catch points and helps to maximize back panel space. Includes dual gasket design that ensures it performs in extreme applications. Inner Pour in place oil & water-resistant gasket with an easily replaceable outer gasket - FDA-grade silicone gasket that helps resist bacteria growth and chemical absorption.

## Construction

- 0.075" stainless steel Type 304
- Seams continuously welded and ground smooth
- 15 degree sloped top
- Internal swing-out hinges
- Doors open 110 degree
- Stainless sanitary quarter turn latches with FDA - Grade silicone gasket
- Pour in place oil & water resistant inner gasket
- FDA - Grade silicone outer gasket
- Provision for mounting optional panels
- Mounting holes in back of enclosure for optional mounting stand-off or mounting options
- Ground stud on door & body
- DIN 40050-9, IP69K
- ANSI 3A 00-01 Sanitary Standard for General Requirements
- NSF 169 Special Purpose Food Equipment and Devices

## Finish

# 4 Brushed finish 25-35 RA suitable for medical and food industry.

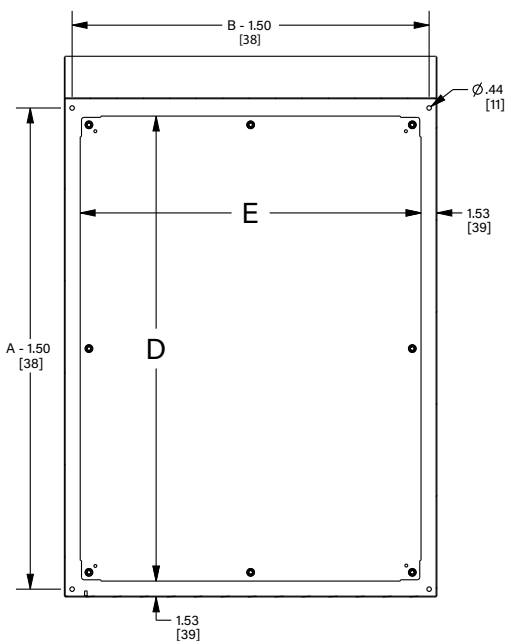
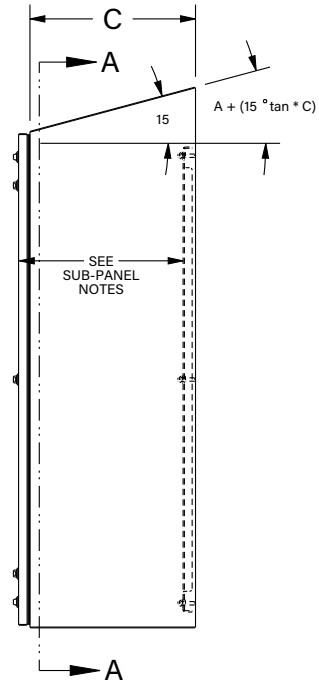
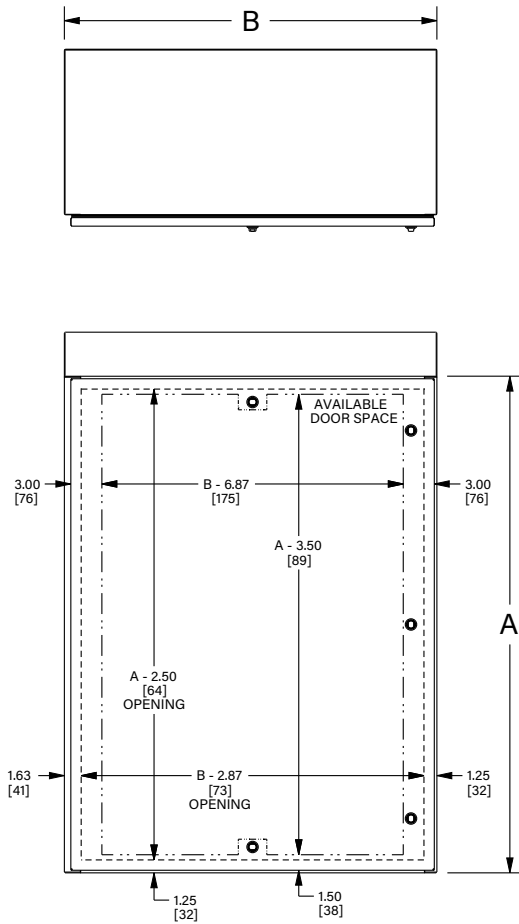
## IS25 Industry Standards

NEMA Type 3R, 4, 4X, 12 & Type 13  
 UL Listed Type 3R, 4, 4X & 12  
 CSA Type 4, 4X & 12  
 IEC 60529 IP69

Catalog No.	Height (A)	Width (B)	Depth (C)	Industry Standard	Catalog No.	Panel Height (D)	Panel Width (E)
<a href="#">SCE-16K1208SSST</a>	16.00	12.00	8.00	IS8	SCE-16P12	13.00	9.00
<a href="#">SCE-16K1608SSST</a>	16.00	16.00	8.00	IS8	SCE-16P16	13.00	13.00
<a href="#">SCE-20K1608SSST</a>	20.00	16.00	8.00	IS8	SCE-20P16	17.00	13.00
<a href="#">SCE-20K2008SSST</a>	20.00	20.00	8.00	IS8	SCE-20P20	17.00	17.00
<a href="#">SCE-20K2010SSST</a>	20.00	20.00	10.00	IS8	SCE-20P20	17.00	17.00
<a href="#">SCE-24K2008SSST</a>	24.00	20.00	8.00	IS8	SCE-24P20	21.00	17.00
<a href="#">SCE-24K2010SSST</a>	24.00	20.00	10.00	IS8	SCE-24P20	21.00	17.00
<a href="#">SCE-24K2012SSST</a>	24.00	20.00	12.00	IS8	SCE-24P20	21.00	17.00
<a href="#">SCE-24K2408SSST</a>	24.00	24.00	8.00	IS8	SCE-24P24	21.00	21.00
<a href="#">SCE-24K2410SSST</a>	24.00	24.00	10.00	IS8	SCE-24P24	21.00	21.00
<a href="#">SCE-24K2412SSST</a>	24.00	24.00	12.00	IS8	SCE-24P24	21.00	21.00
<a href="#">SCE-30K2408SSST</a>	30.00	24.00	8.00	IS8	SCE-30P24	27.00	21.00
<a href="#">SCE-30K2412SSST</a>	30.00	24.00	12.00	IS8	SCE-30P24	27.00	21.00
<a href="#">SCE-30K3012SSST</a>	30.00	30.00	12.00	IS8	SCE-30P30	27.00	27.00
<a href="#">SCE-36K2412SSST</a>	36.00	24.00	12.00	IS8	SCE-36P24	33.00	21.00
<a href="#">SCE-36K3012SSST</a>	36.00	30.00	12.00	IS8	SCE-36P30	33.00	33.00
<a href="#">SCE-36K3016SSST</a>	36.00	30.00	16.00	IS8	SCE-36P30	33.00	33.00
<a href="#">SCE-42K3612SSST</a>	42.00	36.00	12.00	IS8	SCE-42P36	39.00	33.00
<a href="#">SCE-42K3616SSST</a>	42.00	36.00	16.00	IS8	SCE-42P36	39.00	33.00
<a href="#">SCE-48K3612SSST</a>	48.00	36.00	12.00	IS8	SCE-48P36	45.00	33.00
<a href="#">SCE-48K3616SSST</a>	48.00	36.00	16.00	IS8	SCE-48P36	45.00	33.00







SECTION A-A

**SUB-PANEL NOTES:**

Dimensions are from the inside of the door.

C + 0.32 [8] for flat sub-panels.

C - 0.18 [5] for bent sub-panels.

**LATCH NOTES:**

Enclosures  $\leq 16.00$ " [406] in height require only one latch centered on door.

Enclosures  $> 16.00$ " [406] and  $< 40.00$ " [1016] in height require two latches on door.

Enclosures  $\geq 40.00$ " [1016] and  $\leq 48.00$ " [1219] in height require three latches on door.

Enclosures  $> 48.00$ " [1219] in height require four latches on door.

Omit center latch top and bottom of door when door width is  $< 30.00$ " [762]

# STAINLESS STEEL SANITARY SLOPING TOP SCREW COVER ENCLOSURES

## Application

Designed to withstand high pressure and high temperature washdown procedures with direct and indirect food contact applications within the Food & Beverage industry. Includes dual gasket design that ensures it performs in extreme applications. Inner Pour in place oil & water-resistant gasket with an easily replaceable outer gasket - FDA-grade silicone gasket that helps resist bacteria growth and chemical absorption.

## Construction

- 0.063 In. stainless steel Type 304
- Seams continuously welded and ground smooth
- 10 degree sloped top
- Sanitary fasteners with FDA - Grade silicone gasket
- Pour in place oil & water resistant gasket
- FDA - Grade silicone gasket
- Provision for mounting optional panels
- Ground stud on door & body
- Solid back with no mounting holes makes it easy to add weld mounting stand-off
- DIN 40050-9 IP69K
- ANSI 3-A 00-01 Sanitary Standard for General Requirements
- NSF 169 Special Purpose Food Equipment and Devices

## Finish

# 4 Brushed finish 25-35 RA suitable for medical and food industry.

## Notes

Sub-panel sold separately.

## IS25 Industry Standards

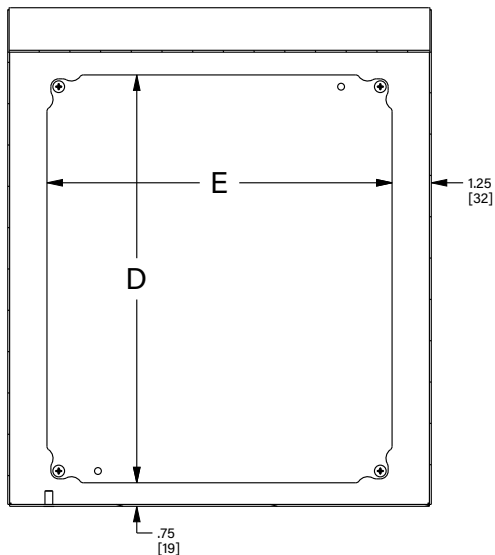
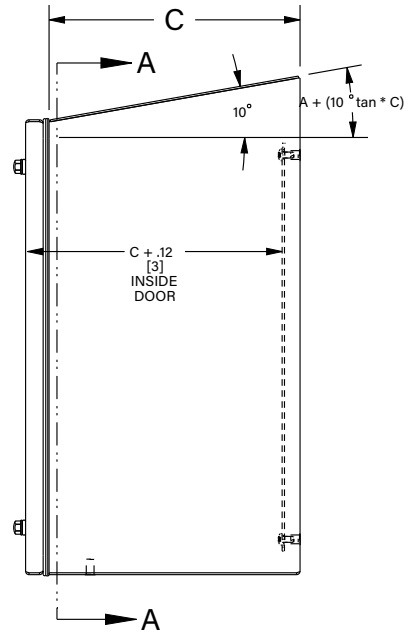
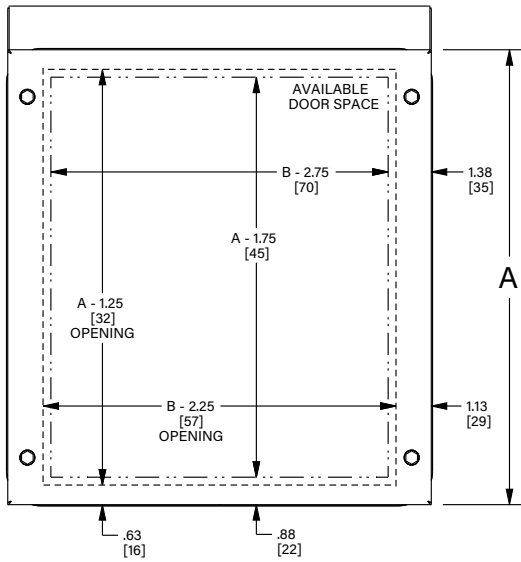
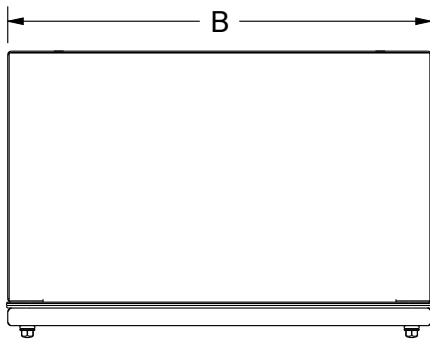
NEMA Type 3R, 4, 4X, 12 & Type 13  
 UL Listed Type 3R, 4, 4X & 12  
 CSA Type 4, 4X & 12  
 IEC 60529 IP69

Enclosure Product Code S8

Sub-Panel (P3)

Catalog No.	Height (A)	Width (B)	Depth (C)	Industry Standard	Catalog No.	Panel Height (D)	Panel Width (E)
<a href="#">SCE-7KJ0604SSST</a>	6.50	5.50	4.00	IS8	SCE-6P4	5.00	3.00
<a href="#">SCE-9KJ0804SSST</a>	8.50	7.50	4.00	IS8	SCE-8P6	7.00	5.00
<a href="#">SCE-11KJ1004SSST</a>	10.50	9.50	4.00	IS8	SCE-10P8	9.00	7.00
<a href="#">SCE-13KJ1206SSST</a>	12.50	11.50	6.00	IS8	SCE-12P10	11.00	9.00
<a href="#">SCE-15KJ1408SSST</a>	14.50	13.50	8.00	IS8	SCE-14P12	13.00	11.00





SECTION A-A

# 304 STAINLESS STEEL CLAMP FASTENED SINGLE-DOOR ENCLOSURES

## Application

Designed to house electrical and electronic controls, instruments and components in areas which may be regularly hosed down or are in very wet conditions. Provides a degree of protection from dust, dirt, oil and water. For outdoor applications a drip shield is recommended. For installation information, consult our installation manual at [www.saginawcontrol.com](http://www.saginawcontrol.com).

## Construction

- 0.075" stainless steel Type 304.
- No holes or knockouts, continuously welded seams ground smooth.
- Flange trough collar around all sides of door opening.
- Pour in place oil and water resistant gasket.
- Collar studs provided for mounting optional sub-panels.
- Hasp and staple for padlocking.
- Stainless steel continuous hinge.
- Removable print pocket furnished if height and width of enclosure is greater than 12".
- Ground stud on door and body.
- Stainless steel door clamps.
- Welded mounting provision top and bottom of back.

## Finish

#4 brushed finish on all exterior surfaces. Optional sub-panels powder coated white.

## IS6 Industry Standards

NEMA Type 3R, 4, 4X, 12 & Type 13  
UL Listed Type 3R, 4, 4X & 12  
CSA Type 3R, 4, 4X & 12  
IEC 60529 IP66

\*\*\*To maintain Type 3R listing, drainage is required. Install equally rated drainage device or drill a 1/8 to 1/4 inch hole in the bottom center of the enclosure, approximately 1 inch from the right, and 1 inch from the left for drainage, use listed rain-tight or wet location hubs. Drip shield over the door is recommended for all outdoor applications.

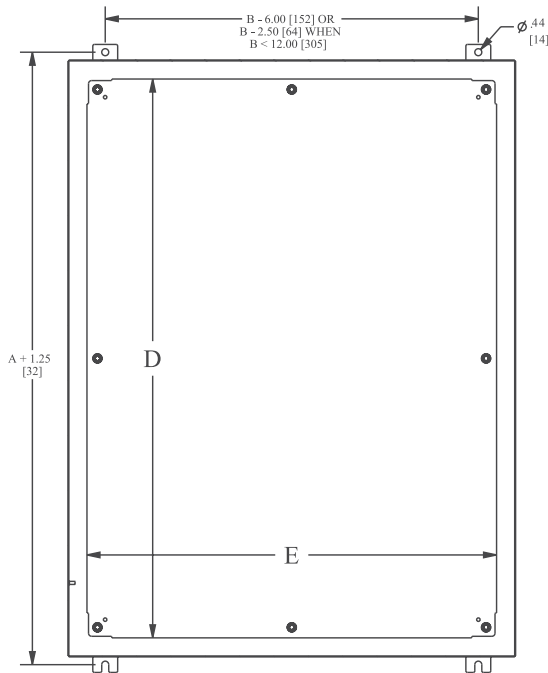
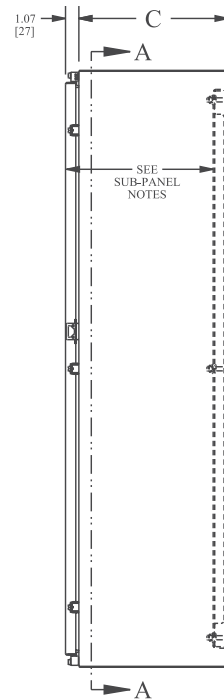
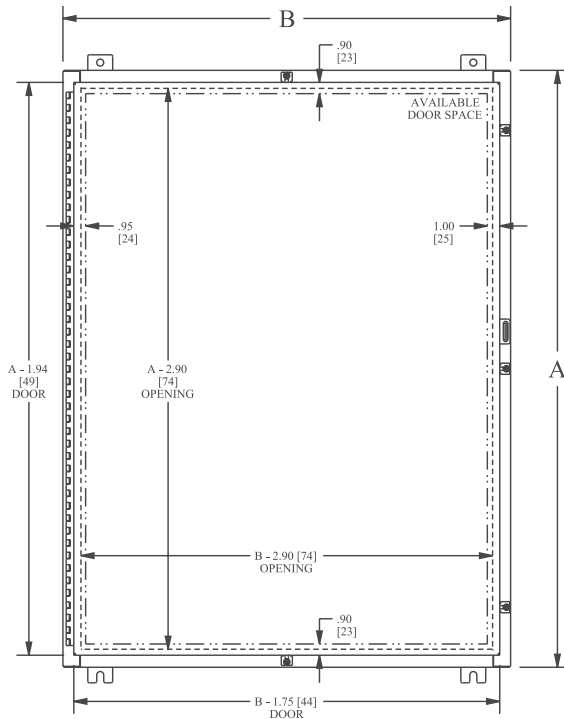


Enclosure Product Code S3

Sub-Panel (P3)

Catalog No.	Height (A)	Width (B)	Depth (C)	Industry Standard	Catalog No.	Panel Height (D)	Panel Width (E)
<a href="#">SCE-16H1206SSLP</a>	16.00	12.00	6.00	IS6	<a href="#">SCE-16P12</a>	13.00	9.00
<a href="#">SCE-16H1208SSLP</a>	16.00	12.00	8.00	IS6	<a href="#">SCE-16P12</a>	13.00	9.00
<a href="#">SCE-16H1606SSLP</a>	16.00	16.00	6.00	IS6	<a href="#">SCE-16P16</a>	13.00	13.00
<a href="#">SCE-16H2006SSLP</a>	16.00	20.00	6.00	IS6	<a href="#">SCE-20P16</a>	17.00	13.00
<a href="#">SCE-20H1606SSLP</a>	20.00	16.00	6.00	IS6	<a href="#">SCE-20P16</a>	17.00	13.00
<a href="#">SCE-20H1608SSLP</a>	20.00	16.00	8.00	IS6	<a href="#">SCE-20P16</a>	17.00	13.00
<a href="#">SCE-20H1610SSLP</a>	20.00	16.00	10.00	IS6	<a href="#">SCE-20P16</a>	17.00	13.00
<a href="#">SCE-20H2006SSLP</a>	20.00	20.00	6.00	IS6	<a href="#">SCE-20P20</a>	17.00	17.00
<a href="#">SCE-20H2408SSLP</a>	20.00	24.00	8.00	IS6	<a href="#">SCE-24P20</a>	21.00	17.00
<a href="#">SCE-24H1608SSLP</a>	24.00	16.00	8.00	IS6	<a href="#">SCE-24P16</a>	21.00	13.00
<a href="#">SCE-24H2006SSLP</a>	24.00	20.00	6.00	IS6	<a href="#">SCE-24P20</a>	21.00	17.00
<a href="#">SCE-24H2008SSLP</a>	24.00	20.00	8.00	IS6	<a href="#">SCE-24P20</a>	21.00	17.00
<a href="#">SCE-24H2010SSLP</a>	24.00	20.00	10.00	IS6	<a href="#">SCE-24P20</a>	21.00	17.00
<a href="#">SCE-24H2406SSLP</a>	24.00	24.00	6.00	IS6	<a href="#">SCE-24P24</a>	21.00	21.00
<a href="#">SCE-24H2408SSLP</a>	24.00	24.00	8.00	IS6	<a href="#">SCE-24P24</a>	21.00	21.00
<a href="#">SCE-24H2412SSLP</a>	24.00	24.00	12.00	IS6	<a href="#">SCE-24P24</a>	21.00	21.00
<a href="#">SCE-24H3008SSLP</a>	24.00	30.00	8.00	IS6	<a href="#">SCE-30P24</a>	27.00	21.00
<a href="#">SCE-30H2008SSLP</a>	30.00	20.00	8.00	IS6	<a href="#">SCE-30P20</a>	27.00	17.00
<a href="#">SCE-30H2408SSLP</a>	30.00	24.00	8.00	IS6	<a href="#">SCE-30P24</a>	27.00	21.00
<a href="#">SCE-30H2412SSLP</a>	30.00	24.00	12.00	IS6	<a href="#">SCE-30P24</a>	27.00	21.00
<a href="#">SCE-30H2416SSLP</a>	30.00	24.00	16.00	IS6	<a href="#">SCE-30P24</a>	27.00	21.00
<a href="#">SCE-30H3008SSLP</a>	30.00	30.00	8.00	IS6	<a href="#">SCE-30P30</a>	27.00	27.00
<a href="#">SCE-36H2408SSLP</a>	36.00	24.00	8.00	IS6	<a href="#">SCE-36P24</a>	33.00	21.00
<a href="#">SCE-36H2410SSLP</a>	36.00	24.00	10.00	IS6	<a href="#">SCE-36P24</a>	33.00	21.00
<a href="#">SCE-36H3008SSLP</a>	36.00	30.00	8.00	IS6	<a href="#">SCE-36P30</a>	33.00	27.00
<a href="#">SCE-36H3010SSLP</a>	36.00	30.00	10.00	IS6	<a href="#">SCE-36P30</a>	33.00	27.00
<a href="#">SCE-36H3012SSLP</a>	36.00	30.00	12.00	IS6	<a href="#">SCE-36P30</a>	33.00	27.00
<a href="#">SCE-36H3016SSLP</a>	36.00	30.00	16.00	IS6	<a href="#">SCE-36P30</a>	33.00	27.00
<a href="#">SCE-36H3612SSLP</a>	36.00	36.00	12.00	IS6	<a href="#">SCE-36P36</a>	33.00	33.00
<a href="#">SCE-42H3010SSLP</a>	42.00	30.00	10.00	IS6	<a href="#">SCE-42P30</a>	39.00	27.00
<a href="#">SCE-42H3608SSLP</a>	42.00	36.00	8.00	IS6	<a href="#">SCE-42P36</a>	39.00	33.00
<a href="#">SCE-48H3608SSLP</a>	48.00	36.00	8.00	IS6	<a href="#">SCE-48P36</a>	45.00	33.00
<a href="#">SCE-48H3610SSLP</a>	48.00	36.00	10.00	IS6	<a href="#">SCE-48P36</a>	45.00	33.00
<a href="#">SCE-48H3612SSLP</a>	48.00	36.00	12.00	IS6	<a href="#">SCE-48P36</a>	45.00	33.00
<a href="#">SCE-48H3616SSLP</a>	48.00	36.00	16.00	IS6	<a href="#">SCE-48P36</a>	45.00	33.00
<a href="#">SCE-60H3612SSLP</a>	60.00	36.00	12.00	IS6	<a href="#">SCE-60P36</a>	57.00	33.00

# 304 STAINLESS STEEL CLAMP FASTENED SINGLE-DOOR ENCLOSURES TECHNICAL DATA



SECTION A-A

**SUB-PANEL NOTES:**

Dimensions are from the inside of the door  
 C + .30 [8] for flat sub-panels  
 C - .20 [5] for bent sub-panels

**CLAMPING NOTES:**

Enclosures < 27.00 [686] in height require two clamps on door.  
 Enclosures >= 27.00 [686] in height require three clamps on door.  
 Omit center clamps top and bottom of door when door width is <= 30.00 [762]

# 316 STAINLESS STEEL CLAMP FASTENED SINGLE-DOOR ENCLOSURES

## Application

Designed to house electrical and electronic controls, instruments and components in areas which may be regularly hosed down or are in very wet conditions. Provides a degree of protection from dust, dirt, oil and water. For outdoor applications a drip shield is recommended. For installation information, consult our installation manual at [www.saginawcontrol.com](http://www.saginawcontrol.com).

## Construction

- 0.075" stainless steel Type 316/316L.
- No holes or knockouts, continuously welded seams ground smooth.
- Flange trough collar around all sides of door opening.
- Pour in place oil and water resistant gasket.
- Collar studs provided for mounting optional sub-panels.
- Hasp and staple for padlocking.
- Stainless steel continuous hinge.
- Removable print pocket furnished if height and width of enclosure is greater than 12".
- Ground stud on door and body.
- Stainless steel door clamps.
- Welded mounting provision top and bottom of back.

## Finish

#4 brushed finish on all exterior surfaces. Optional sub-panels powder coated white.

## IS6 Industry Standards

NEMA Type 3R, 4, 4X, 12 & Type 13  
UL Listed Type 3R, 4, 4X & 12  
CSA Type 3R, 4, 4X & 12  
IEC 60529 IP66

\*\*\*To maintain Type 3R listing, drainage is required. Install equally rated drainage device or drill a 1/8 to 1/4 inch hole in the bottom center of the enclosure, approximately 1 inch from the right, and 1 inch from the left for drainage, use listed rain-tight or wet location hubs. Drip shield over the door is recommended for all outdoor applications.

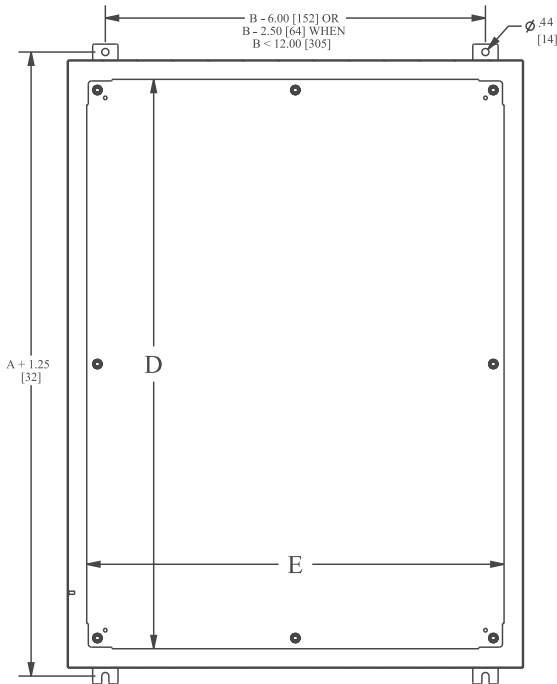
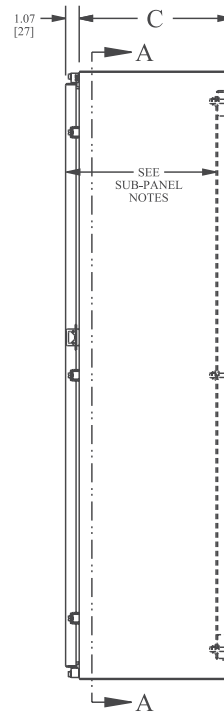
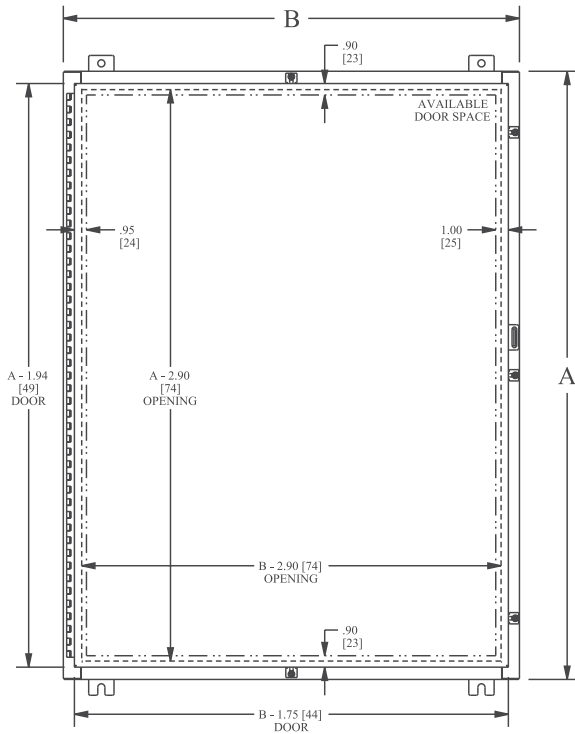


Enclosure Product Code S3

Sub-Panel (P3)

Catalog No.	Height (A)	Width (B)	Depth (C)	Industry Standard	Catalog No.	Panel Height (D)	Panel Width (E)
<a href="#">SCE-16H1206SS6LP</a>	16.00	12.00	6.00	IS6	<a href="#">SCE-16P12</a>	13.00	9.00
<a href="#">SCE-16H1208SS6LP</a>	16.00	12.00	8.00	IS6	<a href="#">SCE-16P12</a>	13.00	9.00
<a href="#">SCE-16H1606SS6LP</a>	16.00	16.00	6.00	IS6	<a href="#">SCE-16P16</a>	13.00	13.00
<a href="#">SCE-16H2006SS6LP</a>	16.00	20.00	6.00	IS6	<a href="#">SCE-20P16</a>	17.00	13.00
<a href="#">SCE-20H1606SS6LP</a>	20.00	16.00	6.00	IS6	<a href="#">SCE-20P16</a>	17.00	13.00
<a href="#">SCE-20H1608SS6LP</a>	20.00	16.00	8.00	IS6	<a href="#">SCE-20P16</a>	17.00	13.00
<a href="#">SCE-20H1610SS6LP</a>	20.00	16.00	10.00	IS6	<a href="#">SCE-20P16</a>	17.00	13.00
<a href="#">SCE-20H2006SS6LP</a>	20.00	20.00	6.00	IS6	<a href="#">SCE-20P20</a>	17.00	17.00
<a href="#">SCE-20H2408SS6LP</a>	20.00	24.00	8.00	IS6	<a href="#">SCE-24P20</a>	21.00	17.00
<a href="#">SCE-24H1608SS6LP</a>	24.00	16.00	8.00	IS6	<a href="#">SCE-24P16</a>	21.00	13.00
<a href="#">SCE-24H2006SS6LP</a>	24.00	20.00	6.00	IS6	<a href="#">SCE-24P20</a>	21.00	17.00
<a href="#">SCE-24H2008SS6LP</a>	24.00	20.00	8.00	IS6	<a href="#">SCE-24P20</a>	21.00	17.00
<a href="#">SCE-24H2010SS6LP</a>	24.00	20.00	10.00	IS6	<a href="#">SCE-24P20</a>	21.00	17.00
<a href="#">SCE-24H2408SS6LP</a>	24.00	24.00	8.00	IS6	<a href="#">SCE-24P24</a>	21.00	21.00
<a href="#">SCE-24H2412SS6LP</a>	24.00	24.00	12.00	IS6	<a href="#">SCE-24P24</a>	21.00	21.00
<a href="#">SCE-24H3008SS6LP</a>	24.00	30.00	8.00	IS6	<a href="#">SCE-24P24</a>	27.00	21.00
<a href="#">SCE-30H2008SS6LP</a>	30.00	20.00	8.00	IS6	<a href="#">SCE-30P20</a>	27.00	17.00
<a href="#">SCE-30H2408SS6LP</a>	30.00	24.00	8.00	IS6	<a href="#">SCE-30P24</a>	27.00	21.00
<a href="#">SCE-30H2412SS6LP</a>	30.00	24.00	12.00	IS6	<a href="#">SCE-30P24</a>	27.00	21.00
<a href="#">SCE-30H2416SS6LP</a>	30.00	24.00	16.00	IS6	<a href="#">SCE-30P24</a>	27.00	21.00
<a href="#">SCE-30H3008SS6LP</a>	30.00	30.00	8.00	IS6	<a href="#">SCE-30P30</a>	27.00	27.00
<a href="#">SCE-36H2408SS6LP</a>	36.00	24.00	8.00	IS6	<a href="#">SCE-36P24</a>	33.00	21.00
<a href="#">SCE-36H2410SS6LP</a>	36.00	24.00	10.00	IS6	<a href="#">SCE-36P24</a>	33.00	21.00
<a href="#">SCE-36H3008SS6LP</a>	36.00	30.00	8.00	IS6	<a href="#">SCE-36P30</a>	33.00	27.00
<a href="#">SCE-36H3010SS6LP</a>	36.00	30.00	10.00	IS6	<a href="#">SCE-36P30</a>	33.00	27.00
<a href="#">SCE-36H3012SS6LP</a>	36.00	30.00	12.00	IS6	<a href="#">SCE-36P30</a>	33.00	27.00
<a href="#">SCE-36H3016SS6LP</a>	36.00	30.00	16.00	IS6	<a href="#">SCE-36P30</a>	33.00	27.00
<a href="#">SCE-36H3612SS6LP</a>	36.00	36.00	12.00	IS6	<a href="#">SCE-36P36</a>	33.00	33.00
<a href="#">SCE-42H3010SS6LP</a>	42.00	30.00	10.00	IS6	<a href="#">SCE-42P30</a>	39.00	27.00
<a href="#">SCE-42H3608SS6LP</a>	42.00	36.00	8.00	IS6	<a href="#">SCE-42P36</a>	39.00	33.00
<a href="#">SCE-48H3608SS6LP</a>	48.00	36.00	8.00	IS6	<a href="#">SCE-48P36</a>	45.00	33.00
<a href="#">SCE-48H3612SS6LP</a>	48.00	36.00	12.00	IS6	<a href="#">SCE-48P36</a>	45.00	33.00
<a href="#">SCE-48H3616SS6LP</a>	48.00	36.00	16.00	IS6	<a href="#">SCE-48P36</a>	45.00	33.00
<a href="#">SCE-60H3612SS6LP</a>	60.00	36.00	12.00	IS6	<a href="#">SCE-60P36</a>	57.00	33.00

# 316 STAINLESS STEEL CLAMP FASTENED SINGLE-DOOR ENCLOSURES TECHNICAL DATA



SECTION A-A

**SUB-PANEL NOTES:**

Dimensions are from the inside of the door  
 C + .30 [8] for flat sub-panels  
 C - .20 [5] for bent sub-panels

**CLAMPING NOTES:**

Enclosures < 27.00 [686] in height require two clamps on door.  
 Enclosures  $\geq$  27.00 [686] in height require three clamps on door.  
 Omit center clamps top and bottom of door when door width is  $\leq$  30.00 [762]

# STAINLESS STEEL ENVIROLINE® SERIES WALL-MOUNT TWO-DOOR ENCLOSURES WITH 3-POINT HARDWARE

## Application

Designed to house electrical and electronic controls, instrumentation and components. For outdoor applications a drip shield is recommended. For installation information, consult our installation manual at [www.saginawcontrol.com](http://www.saginawcontrol.com).

## Construction

- 0.075" stainless steel Type 304.
- Seams continuously welded and ground smooth.
- Flange trough collar around all sides of door opening.
- Collar studs provided for mounting optional sub-panels.
- Removable center posts permit easy sub-panel installation.
- Mounting holes in back of the enclosure for wall-mounting.
- Mounting hardware, sealing washers and hole plugs included.
- Stainless steel concealed hinges.
- Removable and interchangeable doors.
- Black keylocking padlocking handles.
- 3-point latching mechanism.
- Removable print pocket.
- Pour in place oil & water resistant gasket.
- Ground stud on door and body.

## Finish

#4 brushed finish on all exterior surfaces. Optional sub-panels powder coated white.

## Options

Provisions for mechanical interlock. See accessory section to order.

## Notes

Mechanical interlock not for use in enclosures 24" in height.

## IS6 Industry Standards

NEMA Type 3R, 4, 4X, 12 & Type 13  
 UL Listed Type 3R, 4, 4X & 12  
 CSA Type 3R, 4, 4X & 12  
 IEC 60529 IP66

\*\*\*To maintain Type 3R listing, drainage is required. Install equally rated drainage device or drill a 1/8 to 1/4 inch hole in the bottom center of the enclosure, approximately 1 inch from the right, and 1 inch from the left for drainage, use listed rain-tight or wet location hubs. Drip shield over the door is recommended for all outdoor applications.

Enclosure Product Code S5

Sub-Panel (P3)

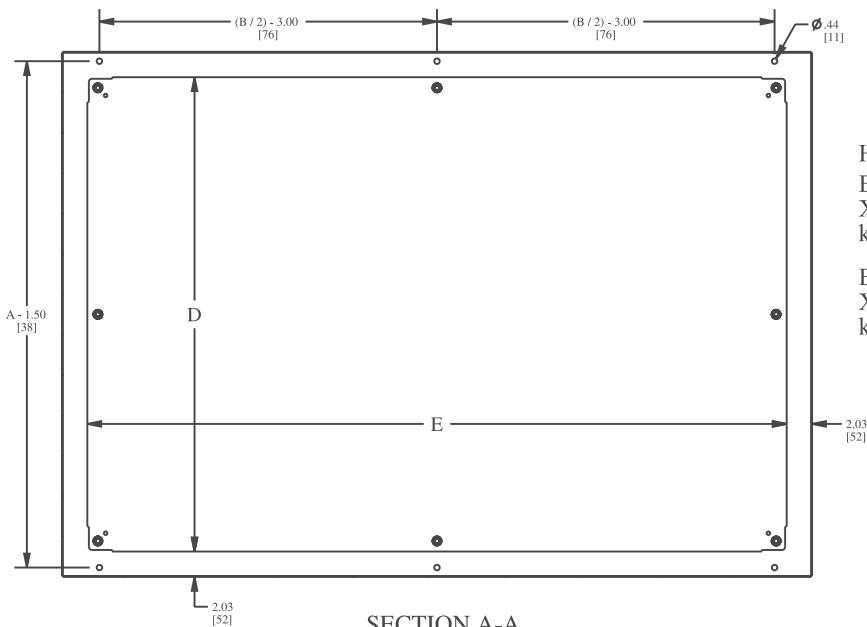
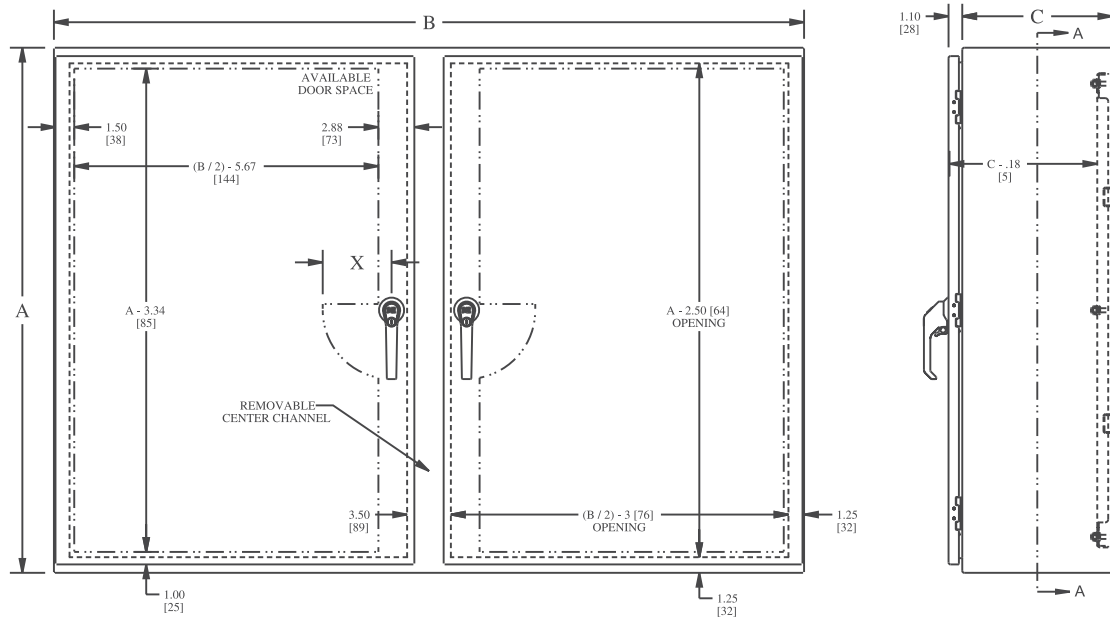
Catalog No.	Height (A)	Width (B)	Depth (C)	Industry Standard	Catalog No.	Panel Height (D)	Panel Width (E)
<a href="#">SCE-24EL4210SSWFLP</a>	24.00	42.00	10.00	IS6	<a href="#">SCE-42P24</a>	39.00	21.00
<a href="#">SCE-24EL4810SSWFLP</a>	24.00	48.00	10.00	IS6	<a href="#">SCE-48P24</a>	45.00	21.00
<a href="#">SCE-30EL4210SSWFLP</a>	30.00	42.00	10.00	IS6	<a href="#">SCE-42P30</a>	39.00	27.00
<a href="#">SCE-30EL4810SSWFLP</a>	30.00	48.00	10.00	IS6	<a href="#">SCE-48P30</a>	45.00	27.00
<a href="#">SCE-30EL6010SSWFLP</a>	30.00	60.00	10.00	IS6	<a href="#">SCE-60P30</a>	57.00	27.00
<a href="#">SCE-36EL4212SSWFLP</a>	36.00	42.00	12.00	IS6	<a href="#">SCE-42P36</a>	39.00	33.00
<a href="#">SCE-36EL4812SSWFLP</a>	36.00	48.00	12.00	IS6	<a href="#">SCE-48P36</a>	45.00	33.00
<a href="#">SCE-36EL6012SSWFLP</a>	36.00	60.00	12.00	IS6	<a href="#">SCE-60P36</a>	57.00	33.00
<a href="#">SCE-42EL4212SSWFLP</a>	42.00	42.00	12.00	IS6	<a href="#">SCE-42P42</a>	39.00	39.00
<a href="#">SCE-42EL4812SSWFLP</a>	42.00	48.00	12.00	IS6	<a href="#">SCE-48P42</a>	45.00	39.00
<a href="#">SCE-42EL6012SSWFLP</a>	42.00	60.00	12.00	IS6	<a href="#">SCE-60BFP42</a>	56.00	38.00
<a href="#">SCE-48EL4812SSWFLP</a>	48.00	48.00	12.00	IS6	<a href="#">SCE-48P48</a>	44.00	44.00





# STAINLESS STEEL ENVIROLINE® SERIES WALL-MOUNT TWO-DOOR ENCLOSURES WITH 3-POINT HARDWARE

## TECHNICAL DATA



SECTION A-A

**HANDLE NOTES:**

Enclosures  $\leq 42.00$  [1067] in height  
 $X = 5.50$  [140] and uses 5.00 [127]  
 key-locking/padlocking handle.

Enclosures  $> 42.00$  [1067] in height  
 $X = 6.75$  [171] and uses 7.00 [178]  
 key-locking/padlocking handle.

# 304 STAINLESS STEEL ENVIROLINE® SERIES SINGLE-DOOR ENCLOSURES FOR FLANGE-MOUNTED DISCONNECTS

## Application

Designed to house most standard type disconnects. For outdoor applications a drip shield is recommended. For installation information, consult our installation manual at [www.saginawcontrol.com](http://www.saginawcontrol.com).

## Construction

- 0.075" stainless steel Type 304.
- Seams continuously welded and ground smooth.
- Flange trough collar around all sides of door opening.
- Pour in place oil and water resistant gasket.
- Collar studs provided for mounting optional sub-panels.
- Holes provided in body for mounting disconnect operating handle and operating mechanism.
- Stainless steel concealed hinges.
- Doors are interchangeable and easily removed by pulling hinge pin.
- 3-point latching mechanism.
- Latches are opened or closed with screwdriver (optional tamper-resistant inserts available).
- Mounting holes in back of enclosure.
- Mounting hardware, sealing washers and hole plugs included.
- Black quarter turn latches as required.
- Removable print pocket.
- Ground studs on door and body.
- Black zinc die cast coinproof/padlocking handle.

Disconnect switch (or circuit breaker) and operating mechanism are not furnished with this enclosure.

## Finish

#4 brushed finish on all exterior surfaces. Optional sub-panels powder coated white.

## IS6 Industry Standards

NEMA Type 3R, 4, 4X, 12 & Type 13  
 UL Listed Type 3R, 4, 4X & 12  
 CSA Type 3R, 4, 4X & 12  
 IEC 60529 IP66

\*\*\*To maintain Type 3R listing, drainage is required. Install equally rated drainage device or drill a 1/8 to 1/4 inch hole in the bottom center of the enclosure, approximately 1 inch from the right, and 1 inch from the left for drainage, use listed rain-tight or wet location hubs. Drip shield over the door is recommended for all outdoor applications.

Enclosure Product Code S5

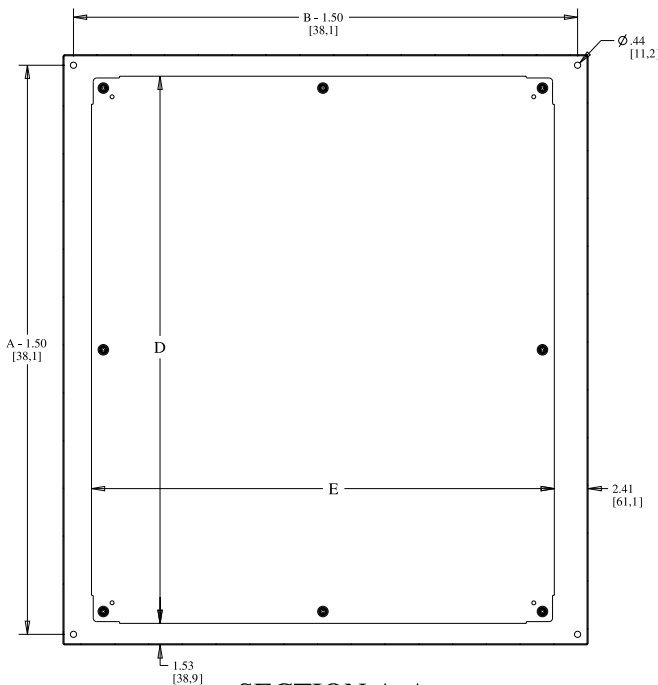
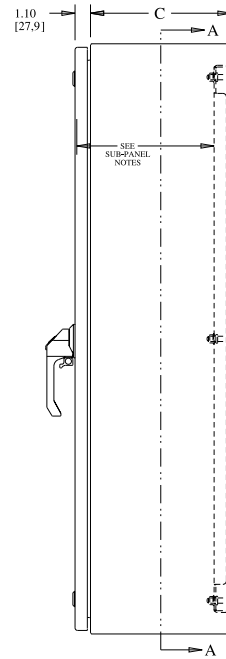
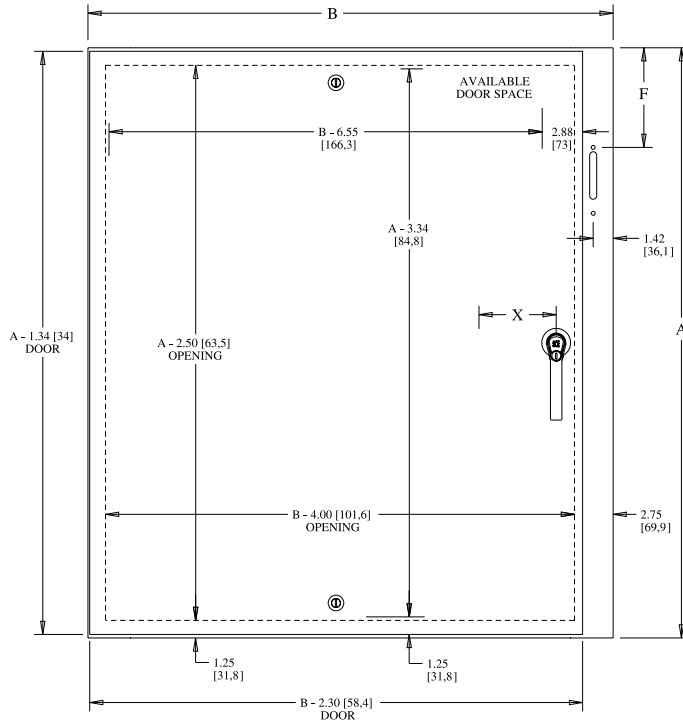
Sub-Panel (P5)

Catalog No.	Height (A)	Width (B)	Depth (C)	Industry Standard	Catalog No.	Panel Height (D)	Panel Width (E)
<a href="#">SCE-20XEL2108SSLP</a>	20.00	21.38	8.00	IS6	<a href="#">SCE-20P20</a>	17.00	17.00
<a href="#">SCE-24XEL2108SSLP</a>	24.00	21.38	8.00	IS6	<a href="#">SCE-24P20</a>	21.00	17.00
<a href="#">SCE-24XEL2508SSLP</a>	24.00	25.38	8.00	IS6	<a href="#">SCE-24P24</a>	21.00	21.00
<a href="#">SCE-24XEL2510SSLP</a>	24.00	25.38	10.00	IS6	<a href="#">SCE-24P24</a>	21.00	21.00
<a href="#">SCE-30XEL2508SSLP</a>	30.00	25.38	8.00	IS6	<a href="#">SCE-30P24</a>	27.00	21.00
<a href="#">SCE-30XEL2510SSLP</a>	30.00	25.38	10.00	IS6	<a href="#">SCE-30P24</a>	27.00	21.00
<a href="#">SCE-36XEL2508SSLP</a>	36.00	25.38	8.00	IS6	<a href="#">SCE-36P24</a>	33.00	21.00
<a href="#">SCE-36XEL3110SSLP</a>	36.00	31.38	10.00	IS6	<a href="#">SCE-36P30</a>	33.00	27.00
<a href="#">SCE-36XEL3112SSLP</a>	36.00	31.38	12.00	IS6	<a href="#">SCE-36P30</a>	33.00	27.00
<a href="#">SCE-42XEL3110SSLP</a>	42.00	31.38	10.00	IS6	<a href="#">SCE-42P30</a>	39.00	27.00
<a href="#">SCE-42XEL3112SSLP</a>	42.00	31.38	12.00	IS6	<a href="#">SCE-42P30</a>	39.00	27.00
<a href="#">SCE-42XEL3712SSLP</a>	42.00	37.38	12.00	IS6	<a href="#">SCE-42P36</a>	39.00	33.00
<a href="#">SCE-42XEL3716SSLP</a>	42.00	37.38	16.00	IS6	<a href="#">SCE-42P36</a>	39.00	33.00
<a href="#">SCE-48XEL3710SSLP</a>	48.00	37.38	10.00	IS6	<a href="#">SCE-48P36</a>	45.00	33.00
<a href="#">SCE-48XEL3712SSLP</a>	48.00	37.38	12.00	IS6	<a href="#">SCE-48P36</a>	45.00	33.00
<a href="#">SCE-48XEL3716SSLP</a>	48.00	37.38	16.00	IS6	<a href="#">SCE-48P36</a>	45.00	33.00
<a href="#">SCE-60XEL3712SSLP</a>	60.00	37.38	12.00	IS6	<a href="#">SCE-60P36</a>	57.00	33.00
<a href="#">SCE-60XEL3716SSLP</a>	60.00	37.38	16.00	IS6	<a href="#">SCE-60P36</a>	57.00	33.00



# 304 STAINLESS STEEL ENVIROLINE® SERIES SINGLE-DOOR ENCLOSURES FOR FLANGE-MOUNTED DISCONNECTS

## TECHNICAL DATA



SECTION A-A

**SUB-PANEL NOTES:**

Dimensions are from the inside of the door.  
 C + .32 [8,1] for flat sub-panels  
 C - .18 [4,5] for bent sub-panels

**DISCONNECT NOTES:**

F = 4.75 [121] when C = 8.00 [203]  
 F = 7.09 [180] when C = 10.00 [254]  
 F = 11.62 [295] when C = 12.00 [304]  
 F = 11.62 [295] when C = 16.00 [406]  
 F = 18.38 [467] for SCE-60XEL3712LP4

**LATCH NOTES:**

Omit center latch top and bottom of door when door width is  $\leq 30.00$ " [762]

**HANDLE NOTES:**

On enclosures  $\leq 42.00$  [1067]  
 X = 5.50 [140] and use 5.00 [127] padlocking handle with coin-proof.  
 On enclosures  $> 42.00$  [1067]  
 X = 6.75 [171] and use 7.00 [178] padlocking handle with coin-proof.

Enclosures with a height dimension  $< 40.00$  [1016] have a 2-point door closing mechanism.

Enclosures with a height dimension of  $\geq 40.00$  [1016] have a 3-point door latching mechanism.

**CONSTRUCTION NOTES:**

Door will be 0.125 [3,1] thick material when enclosure height is  $\geq 42.00$  and door width is  $> 24.00$

# 316 STAINLESS STEEL ENVIROLINE® SERIES SINGLE-DOOR ENCLOSURES FOR FLANGE-MOUNTED DISCONNECTS

## Application

Designed to house most standard type disconnects. For outdoor applications a drip shield is recommended. For installation information, consult our installation manual at [www.saginawcontrol.com](http://www.saginawcontrol.com).

## Construction

- 0.075" stainless steel Type 316/316L.
- Seams continuously welded and ground smooth.
- Flange trough collar around all sides of door opening.
- Pour in place oil and water resistant gasket.
- Collar studs provided for mounting optional sub-panels.
- Holes provided in body for mounting disconnect operating handle and operating mechanism.
- Stainless steel concealed hinges.
- Doors are interchangeable and easily removed by pulling hinge pin.
- 3-point latching mechanism.
- Latches are opened or closed with screwdriver (optional tamper-resistant inserts available).
- Mounting holes in back of enclosure.
- Mounting hardware, sealing washers and hole plugs included.
- Black quarter turn latches as required.
- Removable print pocket.
- Ground studs on door and body.
- Black zinc die cast coinproof/padlocking handle.

Disconnect switch (or circuit breaker) and operating mechanism are not furnished with this enclosure.

## Finish

#4 brushed finish on all exterior surfaces. Optional sub-panels powder coated white.

## IS6 Industry Standards

NEMA Type 3R, 4, 4X, 12 & Type 13  
 UL Listed Type 3R, 4, 4X & 12  
 CSA Type 3R, 4, 4X & 12  
 IEC 60529 IP66

\*\*\*To maintain Type 3R listing, drainage is required. Install equally rated drainage device or drill a 1/8 to 1/4 inch hole in the bottom center of the enclosure, approximately 1 inch from the right, and 1 inch from the left for drainage, use listed rain-tight or wet location hubs. Drip shield over the door is recommended for all outdoor applications.

Enclosure Product Code S5

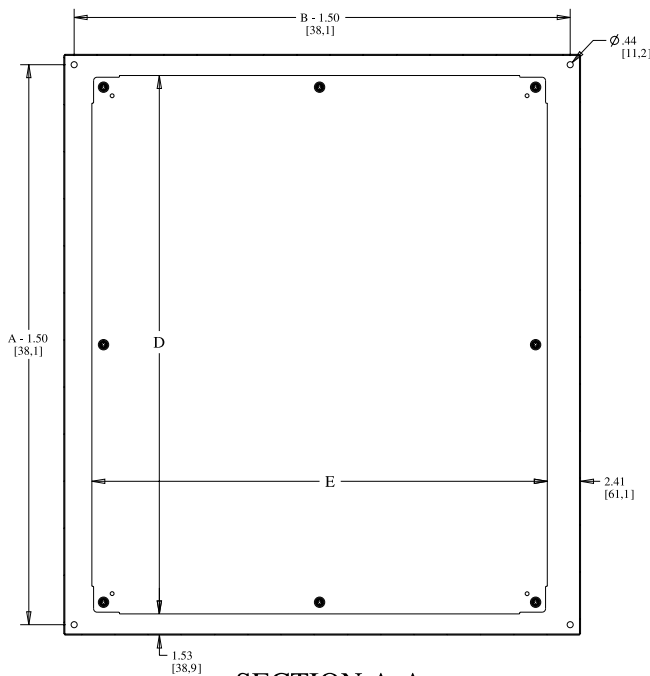
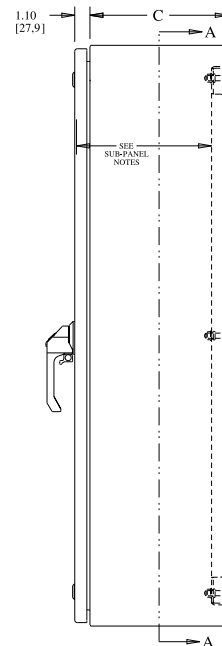
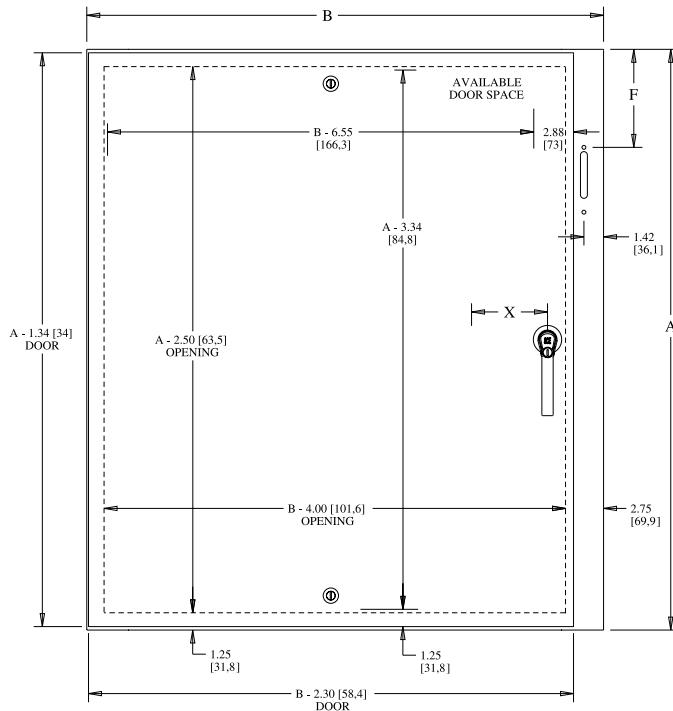
Sub-Panel (P3)

Catalog No.	Height (A)	Width (B)	Depth (C)	Industry Standard	Catalog No.	Panel Height (D)	Panel Width (E)
<a href="#">SCE-20XEL2108SS6LP</a>	20.00	21.38	8.00	IS6	<a href="#">SCE-20P20</a>	17.00	17.00
<a href="#">SCE-24XEL2108SS6LP</a>	24.00	21.38	8.00	IS6	<a href="#">SCE-24P20</a>	21.00	17.00
<a href="#">SCE-24XEL2508SS6LP</a>	24.00	25.38	8.00	IS6	<a href="#">SCE-24P24</a>	21.00	21.00
<a href="#">SCE-24XEL2510SS6LP</a>	24.00	25.38	10.00	IS6	<a href="#">SCE-24P24</a>	21.00	21.00
<a href="#">SCE-30XEL2508SS6LP</a>	30.00	25.38	8.00	IS6	<a href="#">SCE-30P24</a>	27.00	21.00
<a href="#">SCE-30XEL2510SS6LP</a>	30.00	25.38	10.00	IS6	<a href="#">SCE-30P24</a>	27.00	21.00
<a href="#">SCE-36XEL2508SS6LP</a>	36.00	25.38	8.00	IS6	<a href="#">SCE-36P24</a>	33.00	21.00
<a href="#">SCE-36XEL3110SS6LP</a>	36.00	31.38	10.00	IS6	<a href="#">SCE-36P30</a>	33.00	27.00
<a href="#">SCE-36XEL3112SS6LP</a>	36.00	31.38	12.00	IS6	<a href="#">SCE-36P30</a>	33.00	27.00
<a href="#">SCE-42XEL3110SS6LP</a>	42.00	31.38	10.00	IS6	<a href="#">SCE-42P30</a>	39.00	27.00
<a href="#">SCE-42XEL3112SS6LP</a>	42.00	31.38	12.00	IS6	<a href="#">SCE-42P30</a>	39.00	27.00
<a href="#">SCE-42XEL3712SS6LP</a>	42.00	37.38	12.00	IS6	<a href="#">SCE-42P36</a>	39.00	33.00
<a href="#">SCE-42XEL3716SS6LP</a>	42.00	37.38	16.00	IS6	<a href="#">SCE-42P36</a>	39.00	33.00
<a href="#">SCE-48XEL3710SS6LP</a>	48.00	37.38	10.00	IS6	<a href="#">SCE-48P36</a>	45.00	33.00
<a href="#">SCE-48XEL3712SS6LP</a>	48.00	37.38	12.00	IS6	<a href="#">SCE-48P36</a>	45.00	33.00
<a href="#">SCE-48XEL3716SS6LP</a>	48.00	37.38	16.00	IS6	<a href="#">SCE-48P36</a>	45.00	33.00
<a href="#">SCE-60XEL3712SS6LP</a>	60.00	37.38	12.00	IS6	<a href="#">SCE-60P36</a>	57.00	33.00
<a href="#">SCE-60XEL3716SS6LP</a>	60.00	37.38	16.00	IS6	<a href="#">SCE-60P36</a>	57.00	33.00



# 316 STAINLESS STEEL ENVIROLINE® SERIES SINGLE-DOOR ENCLOSURES FOR FLANGE-MOUNTED DISCONNECTS

## TECHNICAL DATA



SECTION A-A

**SUB-PANEL NOTES:**

Dimensions are from the inside of the door.  
 C + .32 [8,1] for flat sub-panels  
 C - .18 [4,5] for bent sub-panels

**DISCONNECT NOTES:**

F = 4.75 [121] when C = 8.00 [203]  
 F = 7.09 [180] when C = 10.00 [254]  
 F = 11.62 [295] when C = 12.00 [304]  
 F = 11.62 [295] when C = 16.00 [406]  
 F = 18.38 [467] for SCE-60XEL3712LP4

**LATCH NOTES:**

Omit center latch top and bottom of door when door width is  $\leq 30.00$ " [762]

**HANDLE NOTES:**

On enclosures  $\leq 42.00$  [1067]  
 X = 5.50 [140] and use 5.00 [127] padlocking handle with coin-proof.  
 On enclosures  $> 42.00$  [1067]  
 X = 6.75 [171] and use 7.00 [178] padlocking handle with coin-proof.

Enclosures with a height dimension  $< 40.00$  [1016] have a 2-point door closing mechanism.

Enclosures with a height dimension of  $\geq 40.00$  [1016] have a 3-point door latching mechanism.

**CONSTRUCTION NOTES:**

Door will be 0.125 [3,1] thick material when enclosure height is  $\geq 42.00$  and door width is  $> 24.00$

# STAINLESS STEEL ENVIROLINE® SERIES WALL-MOUNT SLOPING TOP DISCONNECT ENCLOSURES

## Application

Designed to house most standard type disconnects. For installation information, consult our installation manual at [www.saginawcontrol.com](http://www.saginawcontrol.com).

## Construction

- 0.075" stainless steel Type 304
- Seams continuously welded and ground smooth.
- Flange trough collar around all sides of door opening.
- 15 Degree Sloping Top.
- Stainless steel concealed hinges.
- Stainless steel coinproof/padlocking handle.
- 3-point latching mechanism.
- Removable print pocket
- Pour in place oil & water resistant gasket.
- Mounting hardware, sealing washers and hole plugs included.
- Black quarter turn latches as required.
- Ground stud on door and body.

## Finish

#4 brushed finish on all exterior surfaces. Optional sub-panels powder coated white.

Disconnect switch (or circuit breaker) and operating mechanism are not furnished with enclosure.

## Options

Wall-Mount Standoffs available under mounting options in the accessories section.

## IS6 Industry Standards

NEMA Type 3R, 4, 4X, 12 & Type 13  
 UL Listed Type 3R, 4, 4X & 12  
 CSA Type 3R, 4, 4X & 12  
 IEC 60529 IP66

\*\*\*To maintain Type 3R listing, drainage is required. Install equally rated drainage device or drill a 1/8 to 1/4 inch hole in the bottom center of the enclosure, approximately 1 inch from the right, and 1 inch from the left for drainage, use listed rain-tight or wet location hubs. Drip shield over the door is recommended for all outdoor applications.

Enclosure Product Code S8

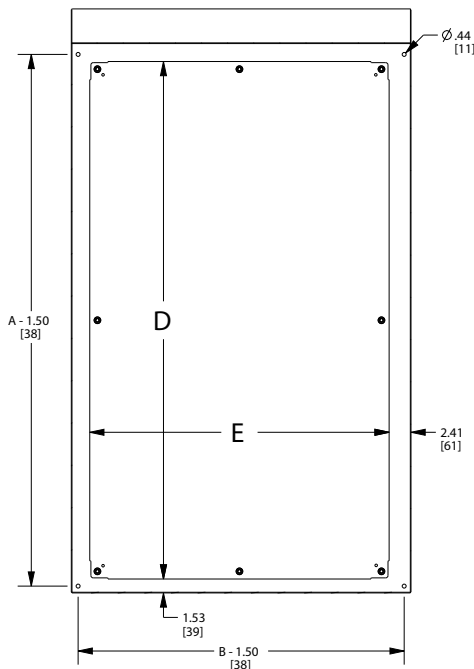
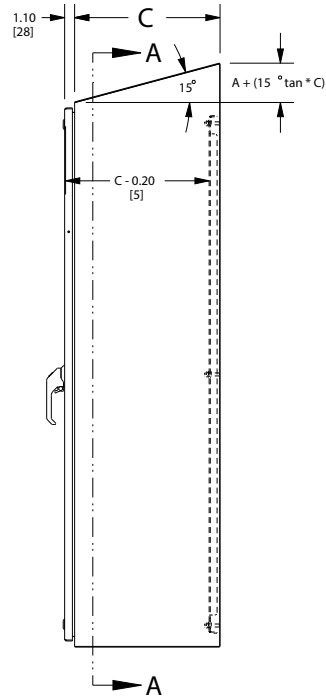
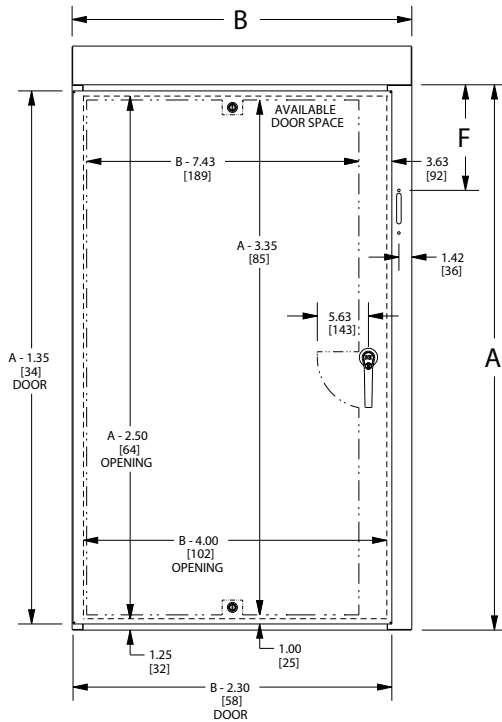
Sub-Panel (P3)

Catalog No.	Height (A)	Width (B)	Depth (C)	Industry Standard	Catalog No.	Panel Height (D)	Panel Width (E)
<a href="#">SCE-24XEL2510SSST</a>	24.00	25.38	10.00	IS6	<a href="#">SCE-24P24</a>	21.00	21.00
<a href="#">SCE-30XEL2510SSST</a>	30.00	25.38	10.00	IS6	<a href="#">SCE-30P24</a>	27.00	21.00
<a href="#">SCE-36XEL3110SSST</a>	36.00	31.38	10.00	IS6	<a href="#">SCE-36P30</a>	33.00	27.00
<a href="#">SCE-48XEL3712SSST</a>	48.00	37.38	12.00	IS6	<a href="#">SCE-48P36</a>	45.00	33.00
<a href="#">SCE-48XEL3716SSST</a>	48.00	37.38	16.00	IS6	<a href="#">SCE-48P36</a>	45.00	33.00
<a href="#">SCE-60XEL3716SSST</a>	60.00	37.38	16.00	IS6	<a href="#">SCE-60P36</a>	57.00	33.00



# STAINLESS STEEL ENVIROLINE® SERIES WALL-MOUNT SLOPING TOP DISCONNECT ENCLOSURES

## TECHNICAL DATA



SECTION A-A

**SUB-PANEL NOTES:**

Dimensions are from the inside of the door  
 C + 0.32 [8] for flat sub-panels  
 C - 0.18 [5] for bent sub-panels

**DISCONNECT NOTES:**

F = 4.75 [121] when C = 8.00 [203]  
 F = 7.09 [180] when C = 10.00 [254]  
 F = 11.62 [295] when C = 12.00 [304]  
 F = 11.62 [295] when C = 16.00 [406]

**LATCH NOTES:**

Enclosures with a height dimension < 40.00 [1016] have a 2-point door latching mechanism.  
 Enclosures with a height dimension >= 40.00 [1016] have a 3-point door latching mechanism.  
 Omit center latch top and bottom of door when door width is <= 30.00 [762]

# STAINLESS STEEL CLAMP FASTENED SINGLE-DOOR ENCLOSURES FOR FLANGE-MOUNTED DISCONNECTS

## Application

Designed to house most standard type disconnects. For installation information, consult our installation manual at [www.saginawcontrol.com](http://www.saginawcontrol.com). For outdoor applications a drip shield is recommended.

## Construction

- 0.075" stainless steel Type 304 & 316/316L.
- Seams continuously welded and ground smooth.
- Stainless steel continuous hinges.
- Flange trough collar around all sides of door opening.
- Interior print pocket.
- Pour in place oil and water resistant gasket.
- Ground studs on door and body.
- Disconnect cutout provided on flange.
- Stainless steel door clamps.
- No door stiffeners required.
- Collar studs provided for mounting optional sub-panels.
- Welded mounting provision top and bottom of back.

## Finish

#4 brushed finish on all exterior surfaces. Optional sub-panels powder coated white.

Disconnect switch (or circuit breaker) and operating mechanism are not furnished with enclosure.

## IS6 Industry Standards

NEMA Type 3R, 4, 4X, 12 & Type 13  
 UL Listed Type 3R, 4, 4X & 12  
 CSA Type 3R, 4, 4X & 12  
 IEC 60529 IP66

\*\*\*To maintain Type 3R listing, drainage is required. Install equally rated drainage device or drill a 1/8 to 1/4 inch hole in the bottom center of the enclosure, approximately 1 inch from the right, and 1 inch from the left for drainage, use listed rain-tight or wet location hubs. Drip shield over the door is recommended for all outdoor applications.

## 304 STAINLESS STEEL

Enclosure Product Code S3

Sub-Panel (P3)

Catalog No.	Height (A)	Width (B)	Depth (C)	Industry Standard	Catalog No.	Panel Height (D)	Panel Width (E)
<a href="#">SCE-24HS2108SSSLP</a>	24.00	21.38	8.00	IS6	<a href="#">SCE-24P20</a>	21.00	17.00
<a href="#">SCE-24HS2508SSSLP</a>	24.00	25.38	8.00	IS6	<a href="#">SCE-24P24</a>	21.00	21.00
<a href="#">SCE-30HS2508SSSLP</a>	30.00	25.38	8.00	IS6	<a href="#">SCE-30P24</a>	27.00	21.00
<a href="#">SCE-36HS2508SSSLP</a>	36.00	25.38	8.00	IS6	<a href="#">SCE-36P24</a>	33.00	21.00
<a href="#">SCE-36HS3108SSSLP</a>	36.00	31.38	8.00	IS6	<a href="#">SCE-36P30</a>	33.00	27.00
<a href="#">SCE-42HS3112SSSLP</a>	42.00	31.38	12.00	IS6	<a href="#">SCE-42P30</a>	39.00	27.00
<a href="#">SCE-42HS3712SSSLP</a>	42.00	37.38	12.00	IS6	<a href="#">SCE-42P36</a>	39.00	33.00
<a href="#">SCE-48HS3712SSSLP</a>	48.00	37.38	12.00	IS6	<a href="#">SCE-48P36</a>	45.00	33.00
<a href="#">SCE-60HS3712SSSLP</a>	60.00	37.38	12.00	IS6	<a href="#">SCE-60P36</a>	57.00	33.00

## 316 STAINLESS STEEL

Enclosure Product Code S3

Sub-Panel (P3)

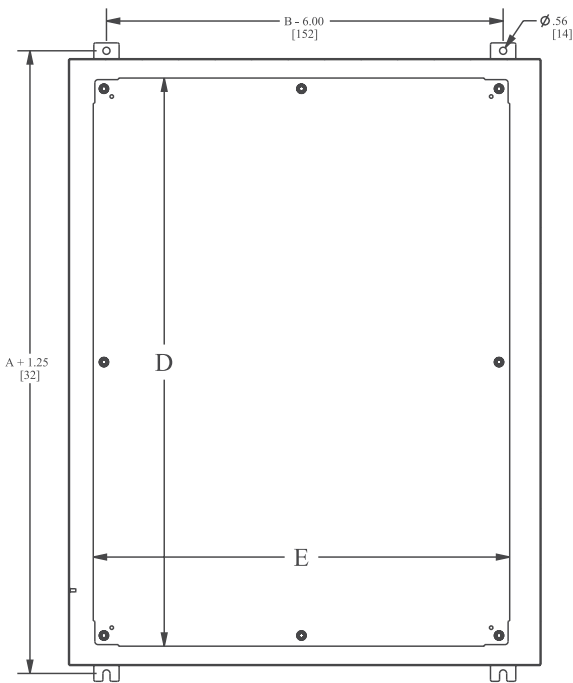
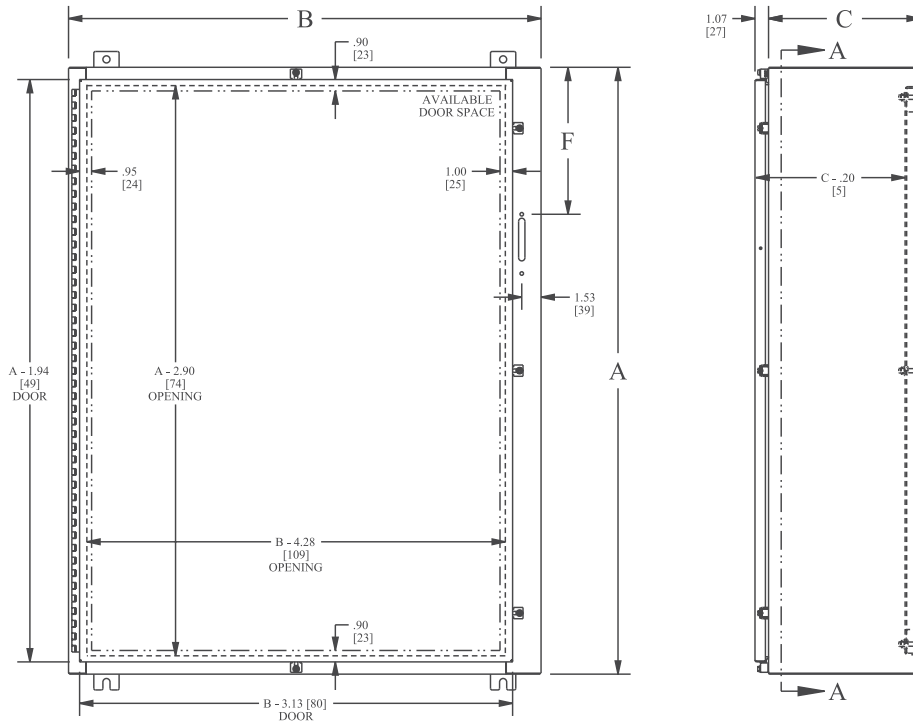
Catalog No.	Height (A)	Width (B)	Depth (C)	Industry Standard	Catalog No.	Panel Height (D)	Panel Width (E)
<a href="#">SCE-24HS2108SS6LP</a>	24.00	21.38	8.00	IS6	<a href="#">SCE-24P20</a>	21.00	17.00
<a href="#">SCE-24HS2508SS6LP</a>	24.00	25.38	8.00	IS6	<a href="#">SCE-24P24</a>	21.00	21.00
<a href="#">SCE-30HS2508SS6LP</a>	30.00	25.38	8.00	IS6	<a href="#">SCE-30P24</a>	27.00	21.00
<a href="#">SCE-36HS2508SS6LP</a>	36.00	25.38	8.00	IS6	<a href="#">SCE-36P24</a>	33.00	21.00
<a href="#">SCE-36HS3108SS6LP</a>	36.00	31.38	8.00	IS6	<a href="#">SCE-36P30</a>	33.00	27.00
<a href="#">SCE-42HS3112SS6LP</a>	42.00	31.38	12.00	IS6	<a href="#">SCE-42P30</a>	39.00	27.00
<a href="#">SCE-42HS3712SS6LP</a>	42.00	37.38	12.00	IS6	<a href="#">SCE-42P36</a>	39.00	33.00
<a href="#">SCE-48HS3712SS6LP</a>	48.00	37.38	12.00	IS6	<a href="#">SCE-48P36</a>	45.00	33.00
<a href="#">SCE-60HS3712SS6LP</a>	60.00	37.38	12.00	IS6	<a href="#">SCE-60P36</a>	57.00	33.00





# STAINLESS STEEL CLAMP FASTENED SINGLE-DOOR ENCLOSURES FOR FLANGE-MOUNTED DISCONNECTS

## TECHNICAL DATA



SECTION A-A

**DISCONNECT NOTES:**

F = 8.63 [219] when C = 8.00 [203]  
 F = 11.63 [295] when C = 12.00 [304]

**CLAMPING NOTES:**

Enclosures < 27.00 [686] in height require two clamps on door.  
 Enclosures ≥ 27.00 [686] in height require three clamps on door.  
 Omit center clamp top and bottom of door when door width is ≤ 30.00 [762]

# FREE-STANDING & FLOOR-MOUNTED ENCLOSURES

## STAINLESS STEEL



300-301



302-303



304-305



306-307



308-309



310-311



312-313



314-321



322-326



# STAINLESS STEEL ENVIROLINE® SERIES TWO-DOOR ENCLOSURES WITH 3-POINT HARDWARE

## Application

Designed to house electrical and electronic controls, instrumentation and components in indoor & outdoor locations. For outdoor applications a drip shield is recommended. For installation information, consult our installation manual at [www.saginawcontrol.com](http://www.saginawcontrol.com).

## Construction

- 0.104" stainless steel Type 304 & 316/316L.
- Seams continuously welded and ground smooth.
- Flange trough collar around all sides of door opening.
- Removable center post.
- Heavy duty lifting eyes anchored into reinforced top.
- Body stiffeners.
- Black quarter turn latches as required.
- Stainless steel concealed hinges.
- Black keylocking/padlocking handles.
- 3-point latching mechanism.
- Removable print pocket.
- 12" removable floor stands.
- Panel supports.
- Provisions for mechanical interlock.
- Pour in place oil & water resistant gasket.
- Ground stud on door and body.
- Provisions for light kit.

## Finish

#4 brushed finish on all exterior surfaces. Optional sub-panels powder coated white.

## Options

Provisions for mechanical interlock. See accessory section to order.

## IS6 Industry Standards

NEMA Type 3R, 4, 4X, 12 & Type 13  
 UL Listed Type 3R, 4, 4X & 12  
 CSA Type 3R, 4, 4X & 12  
 IEC 60529 IP66

\*\*\*To maintain Type 3R listing, drainage is required. Install equally rated drainage device or drill a 1/8 to 1/4 inch hole in the bottom center of the enclosure, approximately 1 inch from the right, and 1 inch from the left for drainage, use listed rain-tight or wet location hubs. Drip shield over the door is recommended for all outdoor applications.

## 304 STAINLESS STEEL

Enclosure Product Code S4

Sub-Panel (P3)

Catalog No.	Height (A)	Width (B)	Depth (C)	Industry Standard	Catalog No.	Panel Height (D)	Panel Width (E)
<a href="#">SCE-60EL4812SSLPPL</a>	60.00	48.00	12.00	IS6	<a href="#">SCE-60P48</a>	56.00	44.00
<a href="#">SCE-60EL4818SSLPPL</a>	60.00	48.00	18.00	IS6	<a href="#">SCE-60P48</a>	56.00	44.00
<a href="#">SCE-60EL6012SSLPPL</a>	60.00	60.00	12.00	IS6	<a href="#">SCE-60P60</a>	56.00	56.00
<a href="#">SCE-60EL6018SSLPPL</a>	60.00	60.00	18.00	IS6	<a href="#">SCE-60P60</a>	56.00	56.00
<a href="#">SCE-72EL6012SSLPPL</a>	72.00	60.00	12.00	IS6	<a href="#">SCE-72P60</a>	68.00	56.00
<a href="#">SCE-72EL6018SSLPPL</a>	72.00	60.00	18.00	IS6	<a href="#">SCE-72P60</a>	68.00	56.00
<a href="#">SCE-72EL7212SSLPPL</a>	72.00	72.00	12.00	IS6	<a href="#">SCE-72P72</a>	68.00	68.00
<a href="#">SCE-72EL7218SSLPPL</a>	72.00	72.00	18.00	IS6	<a href="#">SCE-72P72</a>	68.00	68.00
<a href="#">SCE-72EL7224SSLPPL</a>	72.00	72.00	24.00	IS6	<a href="#">SCE-72P72</a>	68.00	68.00

## 316 STAINLESS STEEL

Enclosure Product Code S4

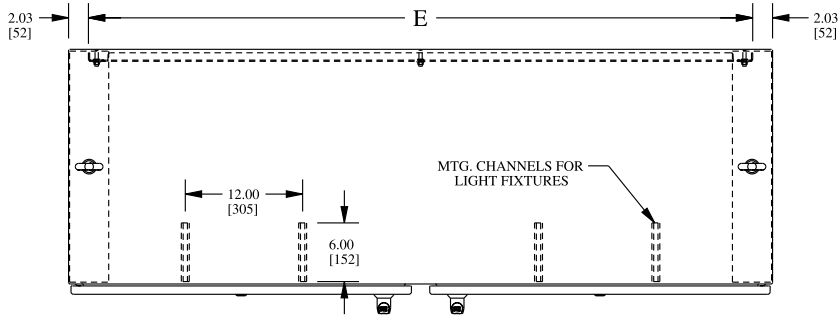
Sub-Panel (P3)

Catalog No.	Height (A)	Width (B)	Depth (C)	Industry Standard	Catalog No.	Panel Height (D)	Panel Width (E)
<a href="#">SCE-60EL4812SS6LPPL</a>	60.00	48.00	12.00	IS6	<a href="#">SCE-60P48</a>	56.00	44.00
<a href="#">SCE-60EL4818SS6LPPL</a>	60.00	48.00	18.00	IS6	<a href="#">SCE-60P48</a>	56.00	44.00
<a href="#">SCE-60EL6012SS6LPPL</a>	60.00	60.00	12.00	IS6	<a href="#">SCE-60P60</a>	56.00	56.00
<a href="#">SCE-60EL6018SS6LPPL</a>	60.00	60.00	18.00	IS6	<a href="#">SCE-60P60</a>	56.00	56.00
<a href="#">SCE-72EL6012SS6LPPL</a>	72.00	60.00	12.00	IS6	<a href="#">SCE-72P60</a>	68.00	56.00
<a href="#">SCE-72EL6018SS6LPPL</a>	72.00	60.00	18.00	IS6	<a href="#">SCE-72P60</a>	68.00	56.00
<a href="#">SCE-72EL7212SS6LPPL</a>	72.00	72.00	12.00	IS6	<a href="#">SCE-72P72</a>	68.00	68.00
<a href="#">SCE-72EL7218SS6LPPL</a>	72.00	72.00	18.00	IS6	<a href="#">SCE-72P72</a>	68.00	68.00
<a href="#">SCE-72EL7224SS6LPPL</a>	72.00	72.00	24.00	IS6	<a href="#">SCE-72P72</a>	68.00	68.00

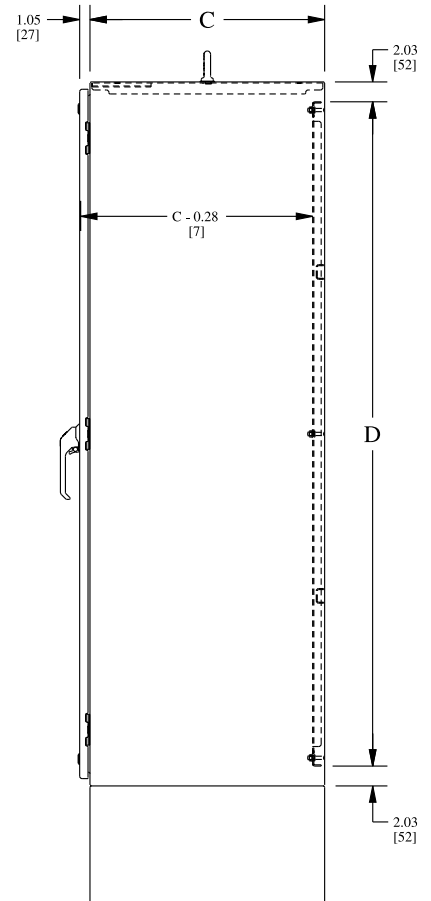
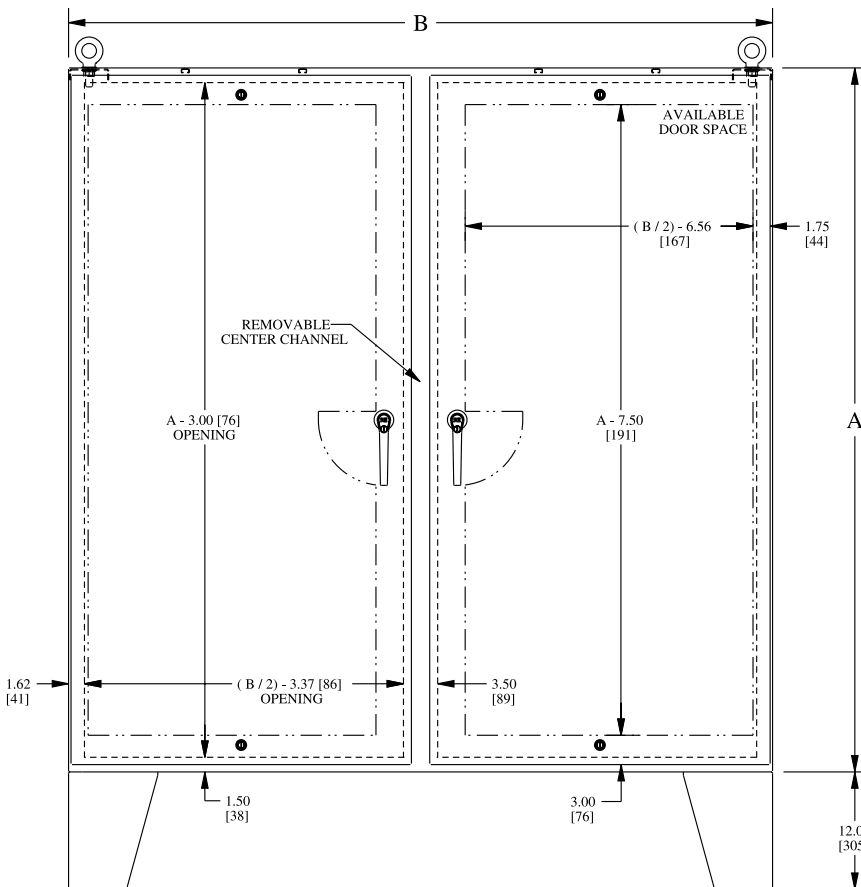


# STAINLESS STEEL ENVIROLINE® SERIES TWO-DOOR ENCLOSURES WITH 3-POINT HARDWARE

## TECHNICAL DATA



**LATCH NOTE:**  
Omit center latch top and bottom of door when door width is  $< 30.00$  [762]



# STAINLESS STEEL ENVIROLINE® SERIES TWO-DOOR SLOPING TOP ENCLOSURES

## Application

Designed to house electrical and electronic controls, instrumentation and components in indoor, outdoor and sanitary locations. For installation information, consult our installation manual at [www.saginawcontrol.com](http://www.saginawcontrol.com).

## Construction

- 0.104" stainless steel Type 304/316.
- Seams continuously welded and ground smooth.
- Flange trough collar around all sides of door opening.
- 15 Degree Sloping Top.
- Removable center post.
- Heavy duty lifting eyes anchor into reinforced top.
- Body stiffeners.
- Black quarter turn latches as required.
- Stainless steel concealed hinges.
- Stainless steel padlocking handles.
- 3-point latching mechanism.
- Removable print pocket.
- Provisions for floor stands.
- Panel supports.
- Ground stud on door and body.
- Provisions for light kit.
- Pour in place oil and water resistant gasket.

## Finish

#4 brushed finish on all exterior surfaces. Optional sub-panels powder coated white.

## IS6 Industry Standards

NEMA Type 3R, 4, 4X, 12 & Type 13  
UL Listed Type 3R, 4, 4X & 12  
CSA Type 3R, 4, 4X & 12  
IEC 60529 IP66

\*\*\*To maintain Type 3R listing, drainage is required. Install equally rated drainage device or drill a 1/8 to 1/4 inch hole in the bottom center of the enclosure, approximately 1 inch from the right, and 1 inch from the left for drainage, use listed rain-tight or wet location hubs. Drip shield over the door is recommended for all outdoor applications.

## 304 STAINLESS STEEL

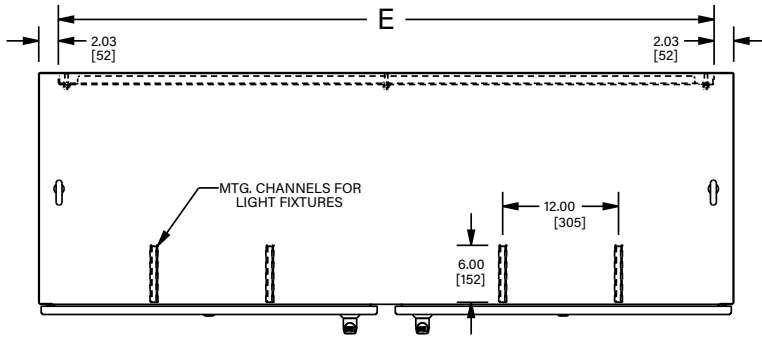
Enclosure Product Code S8					Sub-Panel (P3)		
Catalog No.	Height (A)	Width (B)	Depth (C)	Industry Standard	Catalog No.	Panel Height (D)	Panel Width (E)
<a href="#">SCE-60EL4812SSST</a>	60.00	48.00	12.00	IS6	<a href="#">SCE-60P48</a>	56.00	44.00
<a href="#">SCE-60EL4818SSST</a>	60.00	48.00	18.00	IS6	<a href="#">SCE-60P48</a>	56.00	44.00
<a href="#">SCE-60EL6012SSST</a>	60.00	60.00	12.00	IS6	<a href="#">SCE-60P60</a>	56.00	56.00
<a href="#">SCE-60EL6018SSST</a>	60.00	60.00	18.00	IS6	<a href="#">SCE-60P60</a>	56.00	56.00
<a href="#">SCE-72EL6012SSST</a>	72.00	60.00	12.00	IS6	<a href="#">SCE-72P60</a>	68.00	56.00
<a href="#">SCE-72EL6018SSST</a>	72.00	60.00	18.00	IS6	<a href="#">SCE-72P60</a>	68.00	56.00
<a href="#">SCE-72EL7212SSST</a>	72.00	72.00	12.00	IS6	<a href="#">SCE-72P72</a>	68.00	68.00
<a href="#">SCE-72EL7218SSST</a>	72.00	72.00	18.00	IS6	<a href="#">SCE-72P72</a>	68.00	68.00
<a href="#">SCE-72EL7224SSST</a>	72.00	72.00	24.00	IS6	<a href="#">SCE-72P72</a>	68.00	68.00

## 316 STAINLESS STEEL

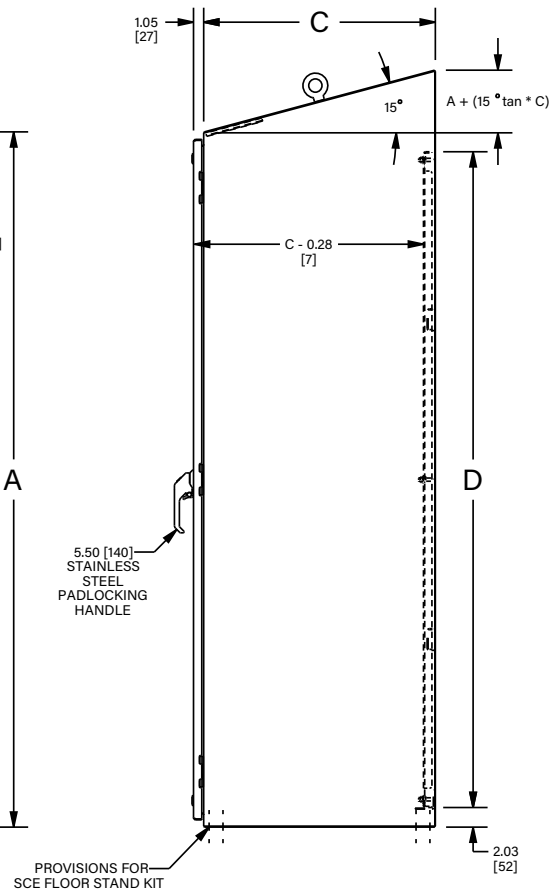
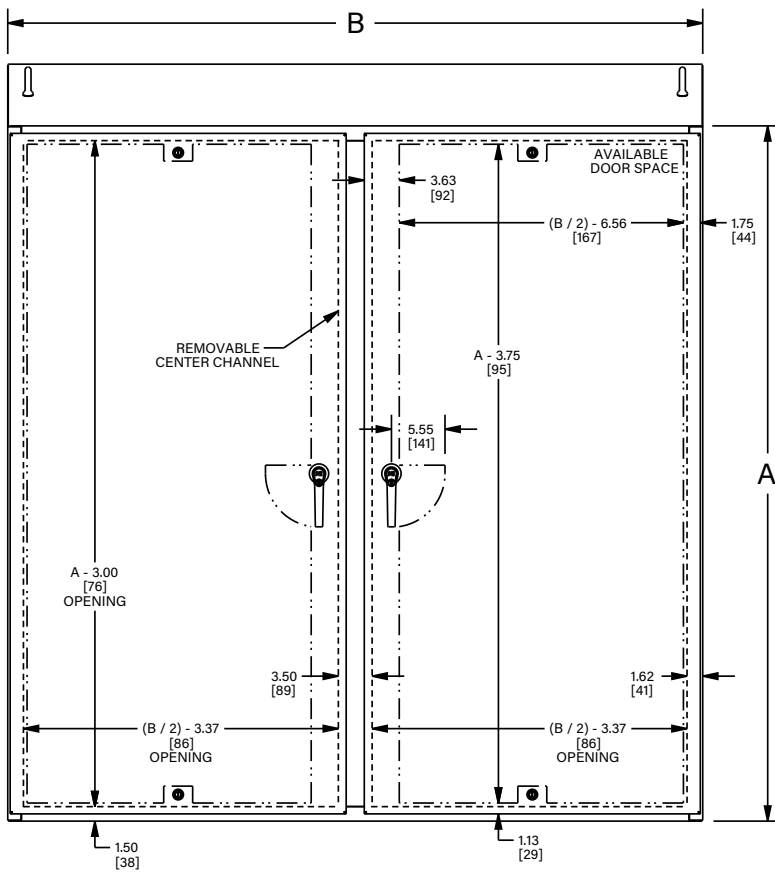
Enclosure Product Code S8					Sub-Panel (P3)		
Catalog No.	Height (A)	Width (B)	Depth (C)	Industry Standard	Catalog No.	Panel Height (D)	Panel Width (E)
<a href="#">SCE-60EL4812SS6ST</a>	60.00	48.00	12.00	IS6	<a href="#">SCE-60P48</a>	56.00	44.00
<a href="#">SCE-60EL4818SS6ST</a>	60.00	48.00	18.00	IS6	<a href="#">SCE-60P48</a>	56.00	44.00
<a href="#">SCE-60EL6012SS6ST</a>	60.00	60.00	12.00	IS6	<a href="#">SCE-60P60</a>	56.00	56.00
<a href="#">SCE-60EL6018SS6ST</a>	60.00	60.00	18.00	IS6	<a href="#">SCE-60P60</a>	56.00	56.00
<a href="#">SCE-72EL6012SS6ST</a>	72.00	60.00	12.00	IS6	<a href="#">SCE-72P60</a>	68.00	56.00
<a href="#">SCE-72EL6018SS6ST</a>	72.00	60.00	18.00	IS6	<a href="#">SCE-72P60</a>	68.00	56.00
<a href="#">SCE-72EL7212SS6ST</a>	72.00	72.00	12.00	IS6	<a href="#">SCE-72P72</a>	68.00	68.00
<a href="#">SCE-72EL7218SS6ST</a>	72.00	72.00	18.00	IS6	<a href="#">SCE-72P72</a>	68.00	68.00
<a href="#">SCE-72EL7224SS6ST</a>	72.00	72.00	24.00	IS6	<a href="#">SCE-72P72</a>	68.00	68.00



# STAINLESS STEEL ENVIROLINE® SERIES TWO-DOOR SLOPING TOP ENCLOSURES TECHNICAL DATA



**LATCH NOTE:**  
Omit center latch top and bottom of door when door width is < 30.00 [762]



# STAINLESS STEEL ENVIROLINE® SERIES FREE-STANDING SINGLE-DOOR ENCLOSURES

## Application

Designed to house electrical and electronic controls, instruments and components. Provides a degree of protection from dust, oil and water. For installation information, consult our installation manual at [www.saginawcontrol.com](http://www.saginawcontrol.com). For outdoor applications a drip shield is recommended.

## Construction

- 0.104" stainless steel Type 304 & 316/316L.
- Seams continuously welded and ground smooth.
- Flange trough collar around all sides of door opening.
- Stainless steel concealed hinges.
- Black zinc die cast keylocking/padlocking handle.
- Removable and interchangeable doors.
- Black quarter turn latches as required.
- Removable print pocket.
- Lifting eyes for easy handling.
- Ground studs on door and body.
- Mounting channels welded horizontally on sides of interior body at top, bottom and middle for mounting optional panels or rack mounting angles.
- No door stiffeners required.
- Provisions for light kit.
- Pour in place oil and water resistant gasket.

## Finish

#4 brushed finish on all exterior surfaces. Optional sub-panels powder coated white.

Accessories - See page 144-151

## IS6 Industry Standards

NEMA Type 3R, 4, 4X, 12 & Type 13  
 UL Listed Type 3R, 4, 4X & 12  
 CSA Type 3R, 4, 4X & 12  
 IEC 60529 IP66

\*\*\*To maintain Type 3R listing, drainage is required. Install equally rated drainage device or drill a 1/8 to 1/4 inch hole in the bottom center of the enclosure, approximately 1 inch from the right, and 1 inch from the left for drainage, use listed rain-tight or wet location hubs. Drip shield over the door is recommended for all outdoor applications.

## 304 STAINLESS STEEL

Enclosure Product Code S4

Catalog No.	Height (A)	Width (B)	Depth (C)	Industry Standard
<a href="#">SCE-60EL2418SSFS</a>	60.00	24.00	18.00	IS6
<a href="#">SCE-60EL3624SSFS</a>	60.00	36.00	24.00	IS6
<a href="#">SCE-72EL2418SSFS</a>	72.00	24.00	18.00	IS6
<a href="#">SCE-72EL2424SSFS</a>	72.00	24.00	24.00	IS6
<a href="#">SCE-72EL3018SSFS</a>	72.00	30.00	18.00	IS6
<a href="#">SCE-72EL3024SSFS</a>	72.00	30.00	24.00	IS6
<a href="#">SCE-72EL3618SSFS</a>	72.00	36.00	18.00	IS6
<a href="#">SCE-72EL3624SSFS</a>	72.00	36.00	24.00	IS6
<a href="#">SCE-72EL3630SSFS</a>	72.00	36.00	30.00	IS6
<a href="#">SCE-72EL3636SSFS</a>	72.00	36.00	36.00	IS6
<a href="#">SCE-90EL2420SSFS</a>	90.00	24.00	20.00	IS6
<a href="#">SCE-90EL3620SSFS</a>	90.00	36.00	20.00	IS6
<a href="#">SCE-90EL3624SSFS</a>	90.00	36.00	24.00	IS6
<a href="#">SCE-90EL3636SSFS</a>	90.00	36.00	36.00	IS6

## 316 STAINLESS STEEL

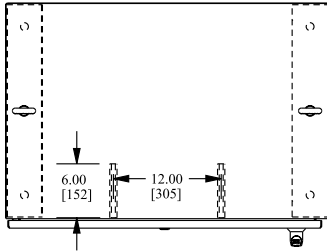
Enclosure Product Code S4

Catalog No.	Height (A)	Width (B)	Depth (C)	Industry Standard
<a href="#">SCE-60EL2418SS6FS</a>	60.00	24.00	18.00	IS6
<a href="#">SCE-60EL3624SS6FS</a>	60.00	36.00	24.00	IS6
<a href="#">SCE-72EL2418SS6FS</a>	72.00	24.00	18.00	IS6
<a href="#">SCE-72EL2424SS6FS</a>	72.00	24.00	24.00	IS6
<a href="#">SCE-72EL3018SS6FS</a>	72.00	30.00	18.00	IS6
<a href="#">SCE-72EL3024SS6FS</a>	72.00	30.00	24.00	IS6
<a href="#">SCE-72EL3618SS6FS</a>	72.00	36.00	18.00	IS6
<a href="#">SCE-72EL3624SS6FS</a>	72.00	36.00	24.00	IS6
<a href="#">SCE-72EL3630SS6FS</a>	72.00	36.00	30.00	IS6
<a href="#">SCE-72EL3636SS6FS</a>	72.00	36.00	36.00	IS6
<a href="#">SCE-90EL2420SS6FS</a>	90.00	24.00	20.00	IS6
<a href="#">SCE-90EL3620SS6FS</a>	90.00	36.00	20.00	IS6
<a href="#">SCE-90EL3624SS6FS</a>	90.00	36.00	24.00	IS6
<a href="#">SCE-90EL3636SS6FS</a>	90.00	36.00	36.00	IS6

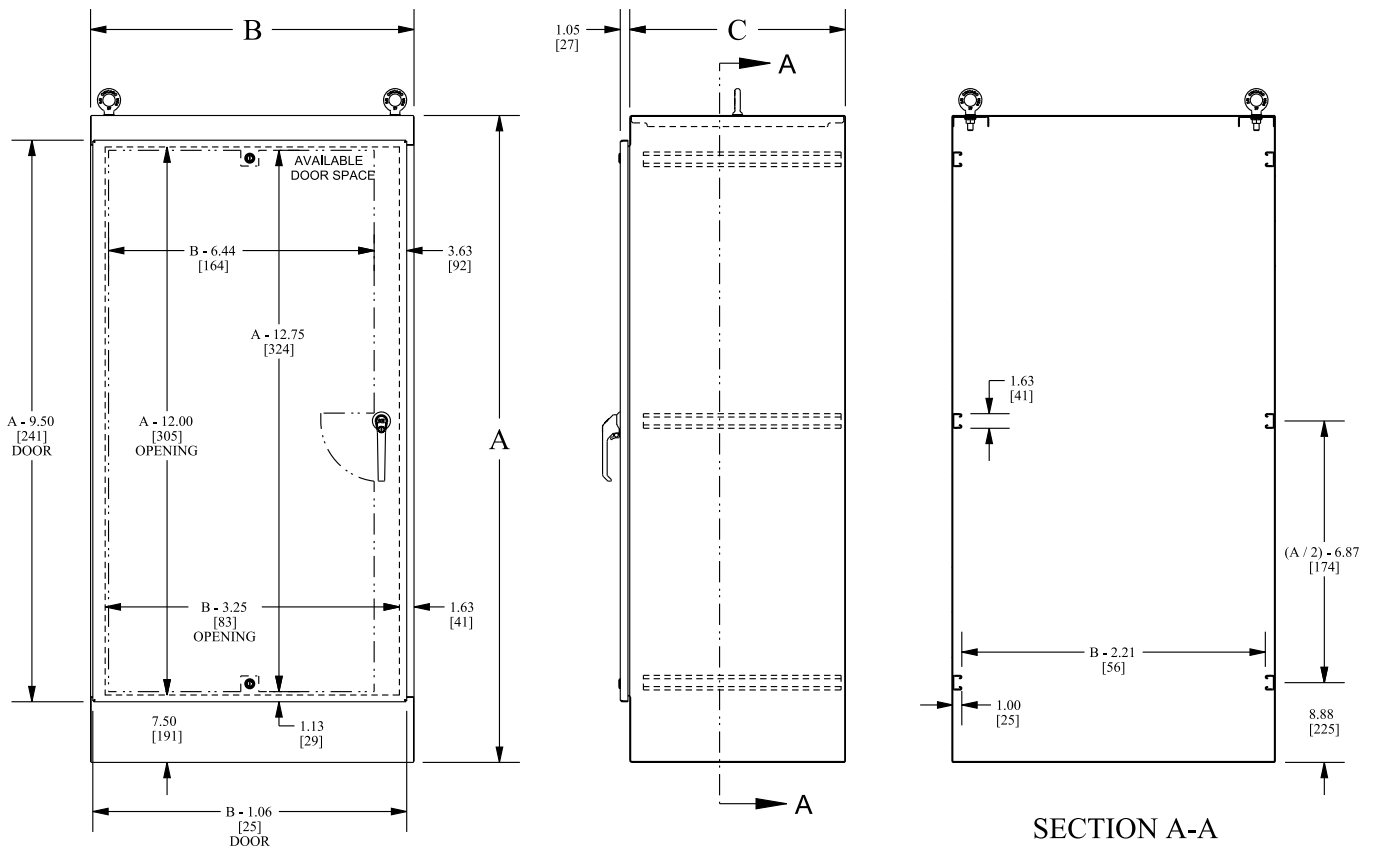




# STAINLESS STEEL ENVIROLINE® SERIES FREE-STANDING SINGLE-DOOR ENCLOSURES TECHNICAL DATA



LATCH NOTE:  
OMIT CENTER LATCH TOP  
AND BOTTOM OF DOOR WHEN  
DOOR WIDTH IS < 30.00 [762]



# STAINLESS STEEL ENVIROLINE® SERIES FREE-STANDING TWO-DOOR ENCLOSURES

## Application

Designed to house a variety of electrical and electronic controls and instruments. Provisions for optional surface mounting or rack mounting of almost any type of equipment. Provides a degree protection from dust, dirt, water and oil. The enclosures are extra deep for applications requiring more interior space.

## Construction

- 0.104" Stainless Steel Type 304 & 316/316L.
- Removable and interchangeable doors.
- Stainless steel concealed hinges.
- Seams continuously welded and ground smooth.
- Strong, rigid construction with stiffeners welded on backs of single access boxes.
- Lifting eyes for easy handling.
- Black zinc die cast keylocking/padlocking handle.
- 3-point latching mechanism.
- Black quarter turn latches as required.
- Latch rods have ramp shoes for easier door closing.
- Flange trough collar around all sides of door opening.
- Removable center post.
- Removable print pocket.
- Mounting channels welded horizontally on sides of interior body at top, bottom and middle for mounting optional panels or rack mounting angles.
- Pour in place oil and water resistant gasket.
- Ground stud on door and body.
- Provisions for light kit.

## Finish

#4 brushed finish on all exterior surfaces. Optional sub-panels powder coated white.

Accessories - See page 144-151

## IS6 Industry Standards

NEMA Type 3R, 4, 4X, 12 & Type 13  
UL Listed Type 3R, 4, 4X & 12  
CSA Type 3R, 4, 4X & 12  
IEC 60529 IP66

\*\*\*To maintain Type 3R listing, drainage is required. Install equally rated drainage device or drill a 1/8 to 1/4 inch hole in the bottom center of the enclosure, approximately 1 inch from the right, and 1 inch from the left for drainage, use listed rain-tight or wet location hubs. Drip shield over the door is recommended for all outdoor applications.

## 304 STAINLESS STEEL

Enclosure Product Code S4

Catalog No.	Height (A)	Width (B)	Depth (C)	Industry Standard
<a href="#">SCE-60EL4818SSFSD</a>	60.00	48.00	18.00	IS6
<a href="#">SCE-72EL4818SSFSD</a>	72.00	48.00	18.00	IS6
<a href="#">SCE-72EL4824SSFSD</a>	72.00	48.00	24.00	IS6
<a href="#">SCE-72EL6018SSFSD</a>	72.00	60.00	18.00	IS6
<a href="#">SCE-72EL6024SSFSD</a>	72.00	60.00	24.00	IS6
<a href="#">SCE-72EL6036SSFSD</a>	72.00	60.00	36.00	IS6
<a href="#">SCE-72EL7218SSFSD</a>	72.00	72.00	18.00	IS6
<a href="#">SCE-72EL7224SSFSD</a>	72.00	72.00	24.00	IS6
<a href="#">SCE-90EL4820SSFSD</a>	90.00	48.00	20.00	IS6
<a href="#">SCE-90EL7220SSFSD</a>	90.00	72.00	20.00	IS6
<a href="#">SCE-90EL7224SSFSD</a>	90.00	72.00	24.00	IS6
<a href="#">SCE-90EL7236SSFSD</a>	90.00	72.00	36.00	IS6

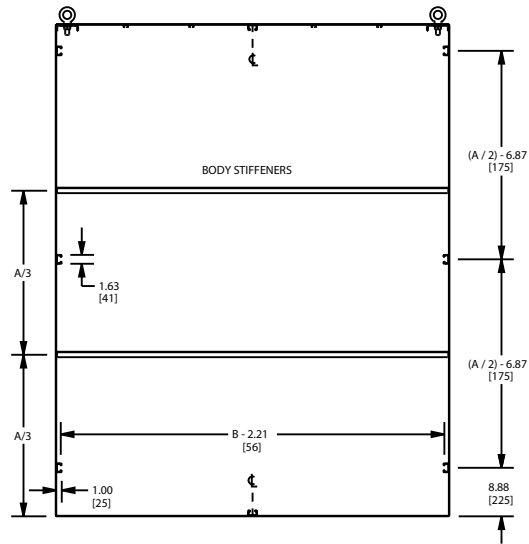
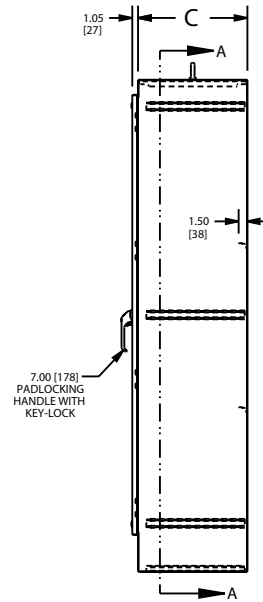
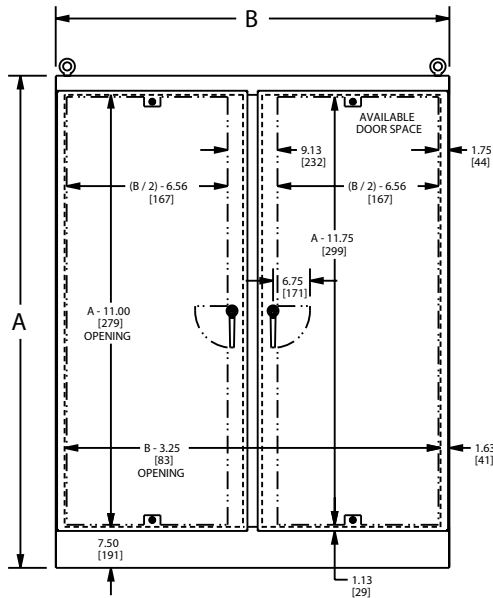
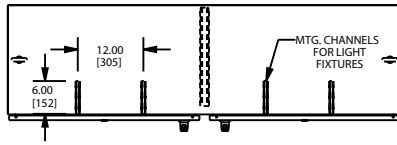
## 316 STAINLESS STEEL

Enclosure Product Code S4

Catalog No.	Height (A)	Width (B)	Depth (C)	Industry Standard
<a href="#">SCE-60EL4818SS6FSD</a>	60.00	48.00	18.00	IS6
<a href="#">SCE-72EL4818SS6FSD</a>	72.00	48.00	18.00	IS6
<a href="#">SCE-72EL4824SS6FSD</a>	72.00	48.00	24.00	IS6
<a href="#">SCE-72EL6018SS6FSD</a>	72.00	60.00	18.00	IS6
<a href="#">SCE-72EL6024SS6FSD</a>	72.00	60.00	24.00	IS6
<a href="#">SCE-72EL6036SS6FSD</a>	72.00	60.00	36.00	IS6
<a href="#">SCE-72EL7218SS6FSD</a>	72.00	72.00	18.00	IS6
<a href="#">SCE-72EL7224SS6FSD</a>	72.00	72.00	24.00	IS6
<a href="#">SCE-90EL4820SS6FSD</a>	90.00	48.00	20.00	IS6
<a href="#">SCE-90EL7220SS6FSD</a>	90.00	72.00	20.00	IS6
<a href="#">SCE-90EL7224SS6FSD</a>	90.00	72.00	24.00	IS6
<a href="#">SCE-90EL7236SS6FSD</a>	90.00	72.00	36.00	IS6



# STAINLESS STEEL ENVIROLINE® SERIES FREE-STANDING TWO-DOOR ENCLOSURES TECHNICAL DATA



SECTION A-A

LATCH NOTE:  
OMIT CENTER LATCH TOP AND  
BOTTOM OF DOOR WHEN DOOR  
WIDTH IS  $\leq 30.00$ " [762]

# STAINLESS STEEL FREE-STANDING ENCLOSURES

## Application

Designed to house a variety of electrical and electronic controls and instruments. Provisions for optional surface mounting or rack mounting of almost any type of equipment. Provides a degree of protection from dust, dirt, water and oil. The enclosures are extra deep for applications requiring more interior space.

## Construction

- 0.104" stainless steel Type 304.
- Removable and interchangeable doors.
- Stainless steel concealed hinges.
- Seams continuously welded and ground smooth.
- Strong, rigid construction with stiffeners welded on backs of single access boxes.
- Lifting eyes for easy handling.
- Black zinc die cast keylocking/padlocking handle.
- 3-point latching mechanism.
- Latch rods have ramp shoes for easier door closing.
- Flange trough collar around all sides of door opening.
- Removable print pocket provided on door with 3-point latch.
- Mounting channels welded horizontally on sides of interior body at top, bottom and middle for mounting optional panels or rack mounting angles.
- Pour in place oil and water resistant gasket.
- Ground stud on door and body.
- Provisions for light kit.

## Finish

#4 brushed finish on all exterior surfaces. Optional sub-panels powder coated white.

Accessories - See page 144-151

## IS3 Industry Standards

NEMA Type 3R, 12 & Type 13  
UL Listed Type 3R & 12  
CSA Type 3R & 12  
IEC 60529 IP55

\*\*\*To maintain Type 3R listing, drainage is required. Install equally rated drainage device or drill a 1/8 to 1/4 inch hole in the bottom center of the enclosure, approximately 1 inch from the right, and 1 inch from the left for drainage, use listed rain-tight or wet location hubs. Drip shield over the door is recommended for all outdoor applications.

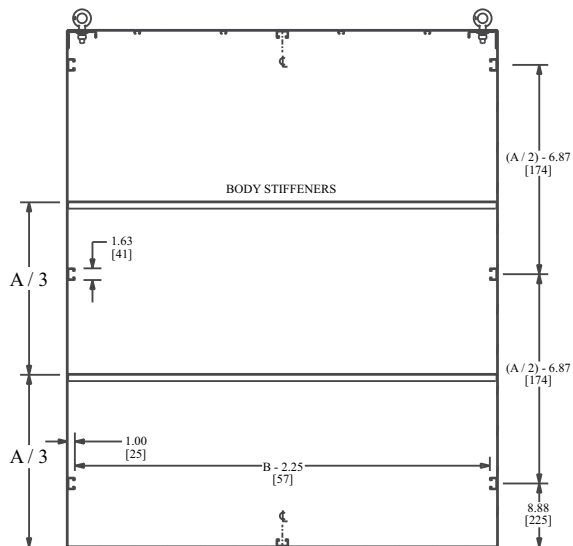
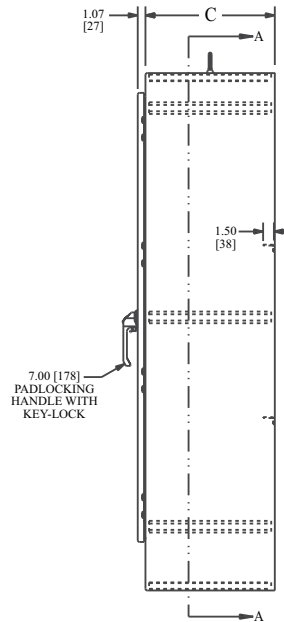
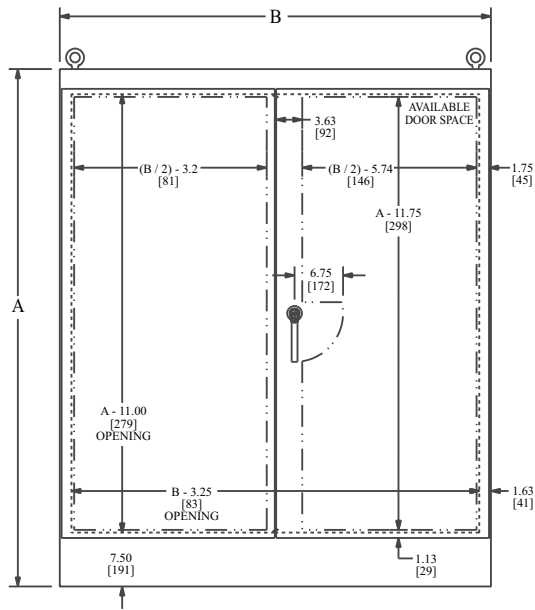
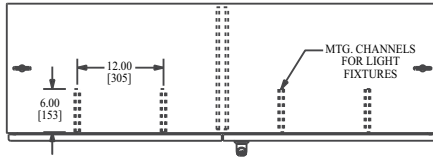
Enclosure Product Code S2

Catalog No.	Height (A)	Width (B)	Depth (C)	Industry Standard
<a href="#">SCE-604818SSFSD</a>	60.00	48.00	18.00	IS3
<a href="#">SCE-724818SSFSD</a>	72.00	48.00	18.00	IS3
<a href="#">SCE-724824SSFSD</a>	72.00	48.00	24.00	IS3
<a href="#">SCE-726018SSFSD</a>	72.00	60.00	18.00	IS3
<a href="#">SCE-726024SSFSD</a>	72.00	60.00	24.00	IS3
<a href="#">SCE-726036SSFSD</a>	72.00	60.00	36.00	IS3
<a href="#">SCE-727218SSFSD</a>	72.00	72.00	18.00	IS3
<a href="#">SCE-727224SSFSD</a>	72.00	72.00	24.00	IS3
<a href="#">SCE-904820SSFSD</a>	90.00	48.00	20.00	IS3
<a href="#">SCE-907220SSFSD</a>	90.00	72.00	20.00	IS3
<a href="#">SCE-907224SSFSD</a>	90.00	72.00	24.00	IS3
<a href="#">SCE-907236SSFSD</a>	90.00	72.00	36.00	IS3



# STAINLESS STEEL FREE-STANDING ENCLOSURES

## TECHNICAL DATA



SECTION A-A

# STAINLESS STEEL ENVIROLINE® SERIES TWO-DOOR ENCLOSURES FOR FLANGE-MOUNTED DISCONNECTS

## Application

Designed to house most standard type disconnects. For outdoor applications a drip shield is recommended. For installation information, consult our installation manual at [www.saginawcontrol.com](http://www.saginawcontrol.com).

## Construction

- 0.104" stainless steel Type 304 & 316/316L.
- Seams continuously welded and ground smooth.
- Pour in place oil and water resistant gasket.
- Flange trough collar around all sides of door opening.
- Stainless steel concealed hinges.
- Removable and interchangeable doors.
- 3-point latching mechanism.
- Black quarter turn latches as required.
- Removable print pocket on main door of disconnect enclosures.
- Lifting eyes for easy handling.
- Ground studs on door and body.
- Collar studs provided for mounting optional sub-panels.
- 15" removable floor stands.
- Removable center post.
- Mechanical interlock.
- No door stiffeners required.
- Black zinc die cast coinproof/padlocking handle on main door of disconnect enclosures.
- Black zinc die cast padlocking handle on all other doors.
- Provisions for light kit.

## Finish

#4 brushed finish on all exterior surfaces. Optional sub-panels powder coated white.

Disconnect switch (or circuit breaker) and operating mechanism are not furnished with this enclosure.

## IS6 Industry Standards

NEMA Type 3R, 4, 4X, 12 & Type 13  
 UL Listed Type 3R, 4, 4X & 12  
 CSA Type 3R, 4, 4X & 12  
 IEC 60529 IP66

\*\*\*To maintain Type 3R listing, drainage is required. Install equally rated drainage device or drill a 1/8 to 1/4 inch hole in the bottom center of the enclosure, approximately 1 inch from the right, and 1 inch from the left for drainage, use listed rain-tight or wet location hubs. Drip shield over the door is recommended for all outdoor applications.

## 304 STAINLESS STEEL

Enclosure Product Code S4

Sub-Panel (P3)

Catalog No.	Height (A)	Width (B)	Depth (C)	Industry Standard	Catalog No.	Panel Height (D)	Panel Width (E)
<a href="#">SCE-60XEL4912SSLP</a>	60.00	49.00	12.00	IS6	<a href="#">SCE-60P48</a>	56.00	44.00
<a href="#">SCE-60XEL4918SSLP</a>	60.00	49.00	18.00	IS6	<a href="#">SCE-60P48</a>	56.00	44.00
<a href="#">SCE-60XEL6112SSLP</a>	60.00	61.00	12.00	IS6	<a href="#">SCE-60P60</a>	56.00	56.00
<a href="#">SCE-60XEL6118SSLP</a>	60.00	61.00	18.00	IS6	<a href="#">SCE-60P60</a>	56.00	56.00
<a href="#">SCE-72XEL6112SSLP</a>	72.00	61.00	12.00	IS6	<a href="#">SCE-72P60</a>	68.00	56.00
<a href="#">SCE-72XEL6118SSLP</a>	72.00	61.00	18.00	IS6	<a href="#">SCE-72P60</a>	68.00	56.00
<a href="#">SCE-72XEL7312SSLP</a>	72.00	73.00	12.00	IS6	<a href="#">SCE-72P72</a>	68.00	68.00
<a href="#">SCE-72XEL7318SSLP</a>	72.00	73.00	18.00	IS6	<a href="#">SCE-72P72</a>	68.00	68.00
<a href="#">SCE-72XEL7324SSLP</a>	72.00	73.00	24.00	IS6	<a href="#">SCE-72P72</a>	68.00	68.00

## 316 STAINLESS STEEL

Enclosure Product Code S4

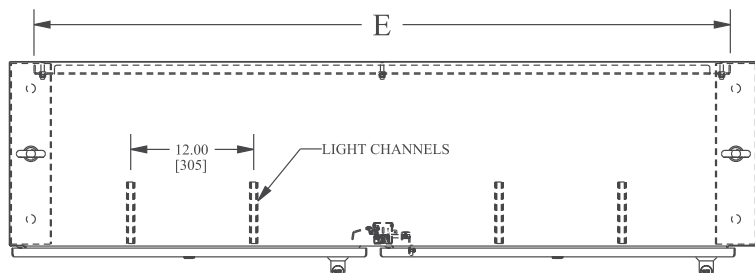
Sub-Panel (P3)

Catalog No.	Height (A)	Width (B)	Depth (C)	Industry Standard	Catalog No.	Panel Height (D)	Panel Width (E)
<a href="#">SCE-60XEL4912SS6LP</a>	60.00	49.00	12.00	IS6	<a href="#">SCE-60P48</a>	56.00	44.00
<a href="#">SCE-60XEL4918SS6LP</a>	60.00	49.00	18.00	IS6	<a href="#">SCE-60P48</a>	56.00	44.00
<a href="#">SCE-60XEL6112SS6LP</a>	60.00	61.00	12.00	IS6	<a href="#">SCE-60P60</a>	56.00	56.00
<a href="#">SCE-60XEL6118SS6LP</a>	60.00	61.00	18.00	IS6	<a href="#">SCE-60P60</a>	56.00	56.00
<a href="#">SCE-72XEL6112SS6LP</a>	72.00	61.00	12.00	IS6	<a href="#">SCE-72P60</a>	68.00	56.00
<a href="#">SCE-72XEL6118SS6LP</a>	72.00	61.00	18.00	IS6	<a href="#">SCE-72P60</a>	68.00	56.00
<a href="#">SCE-72XEL7312SS6LP</a>	72.00	73.00	12.00	IS6	<a href="#">SCE-72P72</a>	68.00	68.00
<a href="#">SCE-72XEL7318SS6LP</a>	72.00	73.00	18.00	IS6	<a href="#">SCE-72P72</a>	68.00	68.00
<a href="#">SCE-72XEL7324SS6LP</a>	72.00	73.00	24.00	IS6	<a href="#">SCE-72P72</a>	68.00	68.00



# STAINLESS STEEL ENVIROLINE® SERIES TWO-DOOR ENCLOSURES FOR FLANGE-MOUNTED DISCONNECTS

## TECHNICAL DATA

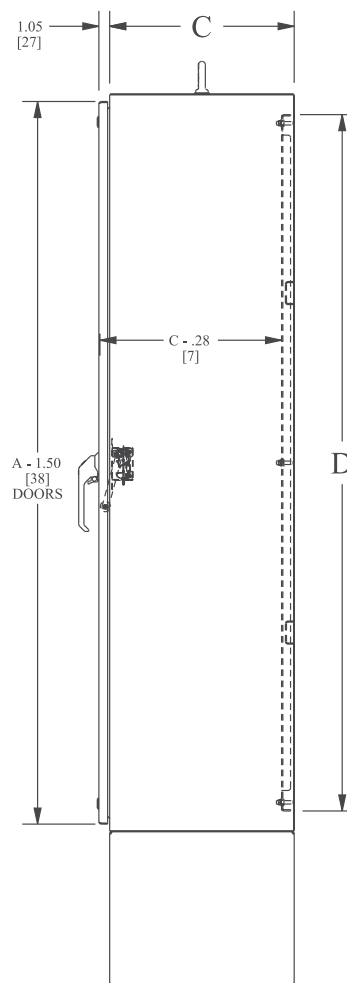
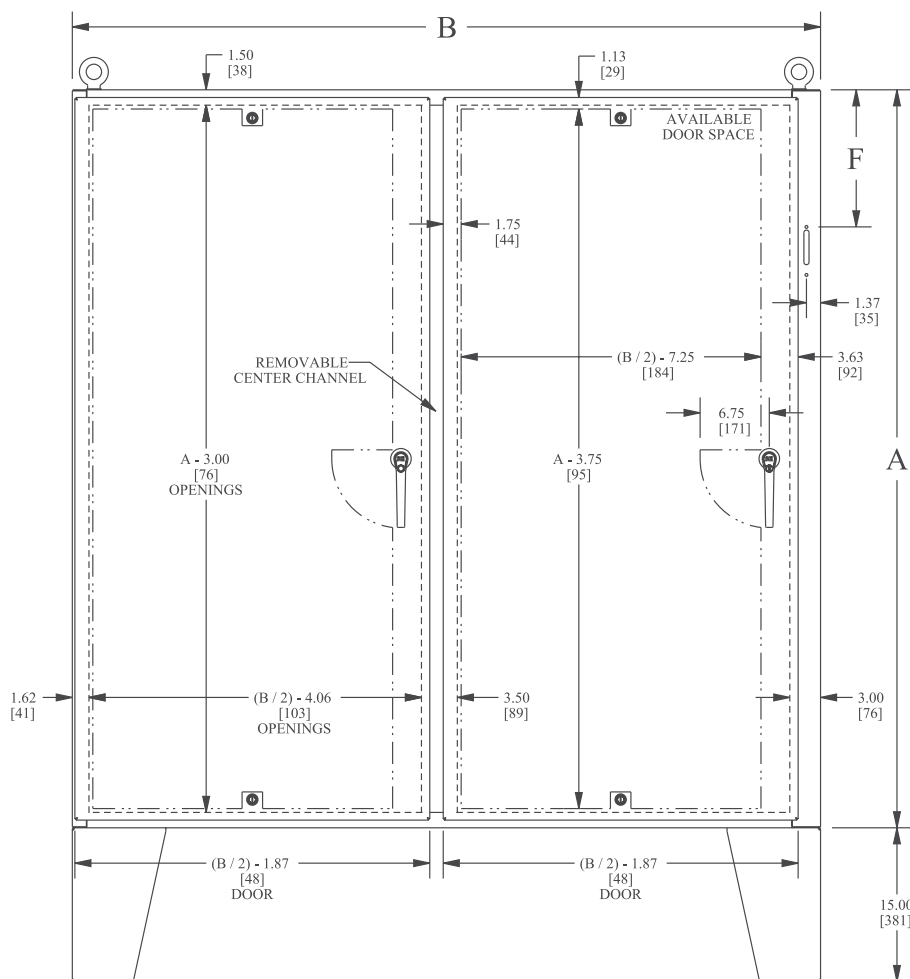


**DISCONNECT NOTES:**

F = 7.88 [200] when A = 60.00 [1524]  
 F = 13.38 [340] when A = 72.00 [1829]

**LATCH NOTES:**

“EL” part numbers with doors  $\geq 30.00$  [762] in width have additional latch centered top and bottom of door.



# STAINLESS STEEL ENVIROLINE® SERIES TWO-DOOR SLOPING TOP DISCONNECT ENCLOSURES

## Application

Designed to house most standard type disconnects. For installation information, consult our installation manual at [www.saginawcontrol.com](http://www.saginawcontrol.com).

## Construction

- 0.104" stainless steel Type 304.
- Seams continuously welded and ground smooth.
- Flange trough collar around all sides of door opening.
- 15 Degree Sloping Top.
- Removable center post.
- Heavy duty lifting eyes anchor into reinforced top.
- Body stiffeners.
- Stainless steel concealed hinges.
- Mechanical interlock.
- Stainless steel coinproof/padlocking handle on main door with stainless steel padlocking handle on slave doors.
- 3-point latching mechanism.
- Black quarter turn latches as required.
- Removable print pocket on main door of disconnect enclosures.
- Provisions for floor stands.
- Panel supports.
- Ground stud on door and body.
- Provisions for light kit.
- Pour in place oil and water resistant gasket.

## Finish

#4 brushed finish on all exterior surfaces. Optional sub-panels powder coated white.

Disconnect switch (or circuit breaker) and operating mechanism are not furnished with this enclosure.

## IS6 Industry Standards

NEMA Type 3R, 4, 4X, 12 & Type 13  
 UL Listed Type 3R, 4, 4X & 12  
 CSA Type 3R, 4, 4X & 12  
 IEC 60529 IP66

\*\*\*To maintain Type 3R listing, drainage is required. Install equally rated drainage device or drill a 1/8 to 1/4 inch hole in the bottom center of the enclosure, approximately 1 inch from the right, and 1 inch from the left for drainage, use listed rain-tight or wet location hubs. Drip shield over the door is recommended for all outdoor applications.

## 304 STAINLESS STEEL

Enclosure Product Code S8					Sub-Panel (P3)		
Catalog No.	Height (A)	Width (B)	Depth (C)	Industry Standard	Catalog No.	Panel Height (D)	Panel Width (E)
<a href="#">SCE-60XEL4912SSST</a>	60.00	49.00	12.00	IS6	<a href="#">SCE-60P48</a>	56.00	44.00
<a href="#">SCE-60XEL4918SSST</a>	60.00	49.00	18.00	IS6	<a href="#">SCE-60P48</a>	56.00	44.00
<a href="#">SCE-60XEL6112SSST</a>	60.00	61.00	12.00	IS6	<a href="#">SCE-60P60</a>	56.00	56.00
<a href="#">SCE-60XEL6118SSST</a>	60.00	61.00	18.00	IS6	<a href="#">SCE-60P60</a>	56.00	56.00
<a href="#">SCE-72XEL6112SSST</a>	72.00	61.00	12.00	IS6	<a href="#">SCE-72P60</a>	68.00	56.00
<a href="#">SCE-72XEL6118SSST</a>	72.00	61.00	18.00	IS6	<a href="#">SCE-72P60</a>	68.00	56.00
<a href="#">SCE-72XEL7312SSST</a>	72.00	73.00	12.00	IS6	<a href="#">SCE-72P72</a>	68.00	68.00
<a href="#">SCE-72XEL7318SSST</a>	72.00	73.00	18.00	IS6	<a href="#">SCE-72P72</a>	68.00	68.00
<a href="#">SCE-72XEL7324SSST</a>	72.00	73.00	24.00	IS6	<a href="#">SCE-72P72</a>	68.00	68.00

## 316 STAINLESS STEEL

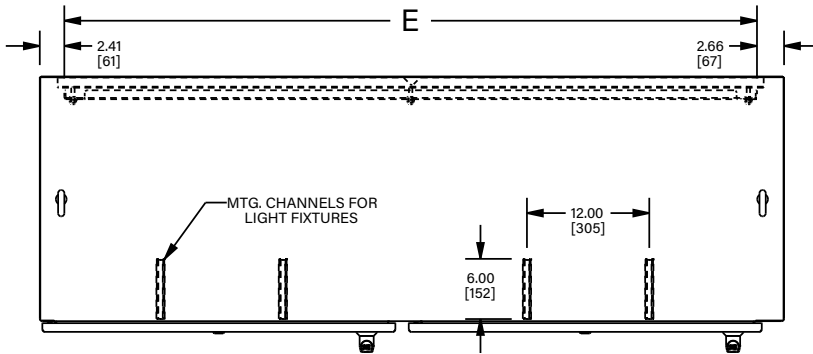
Enclosure Product Code S8					Sub-Panel (P3)		
Catalog No.	Height (A)	Width (B)	Depth (C)	Industry Standard	Catalog No.	Panel Height (D)	Panel Width (E)
<a href="#">SCE-60XEL4912SS6ST</a>	60.00	49.00	12.00	IS6	<a href="#">SCE-60P48</a>	56.00	44.00
<a href="#">SCE-60XEL4918SS6ST</a>	60.00	49.00	18.00	IS6	<a href="#">SCE-60P48</a>	56.00	44.00
<a href="#">SCE-60XEL6112SS6ST</a>	60.00	61.00	12.00	IS6	<a href="#">SCE-60P60</a>	56.00	56.00
<a href="#">SCE-60XEL6118SS6ST</a>	60.00	61.00	18.00	IS6	<a href="#">SCE-60P60</a>	56.00	56.00
<a href="#">SCE-72XEL6112SS6ST</a>	72.00	61.00	12.00	IS6	<a href="#">SCE-72P60</a>	68.00	56.00
<a href="#">SCE-72XEL6118SS6ST</a>	72.00	61.00	18.00	IS6	<a href="#">SCE-72P60</a>	68.00	56.00
<a href="#">SCE-72XEL7312SS6ST</a>	72.00	73.00	12.00	IS6	<a href="#">SCE-72P72</a>	68.00	68.00
<a href="#">SCE-72XEL7318SS6ST</a>	72.00	73.00	18.00	IS6	<a href="#">SCE-72P72</a>	68.00	68.00
<a href="#">SCE-72XEL7324SS6ST</a>	72.00	73.00	24.00	IS6	<a href="#">SCE-72P72</a>	68.00	68.00





# STAINLESS STEEL ENVIROLINE® SERIES TWO-DOOR SLOPING TOP DISCONNECT ENCLOSURES

## TECHNICAL DATA

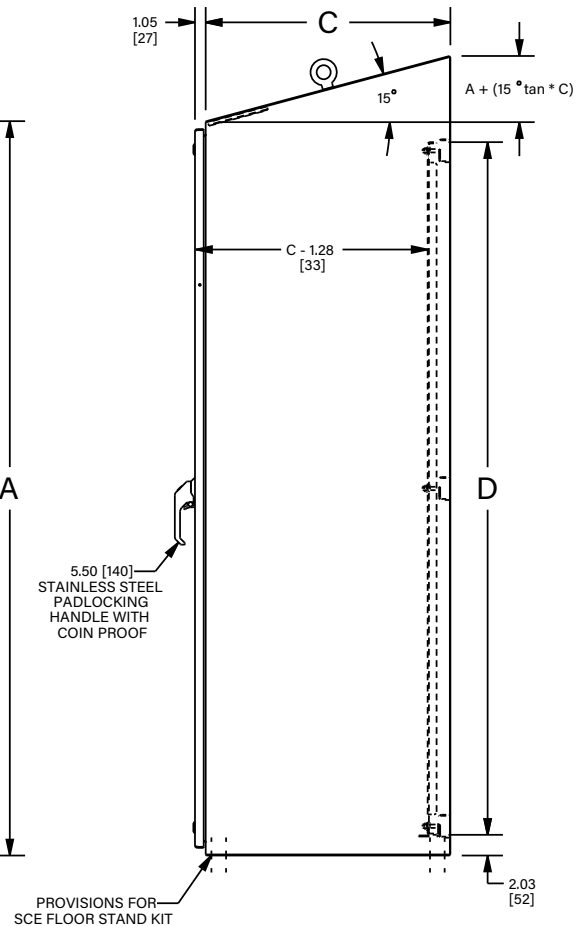
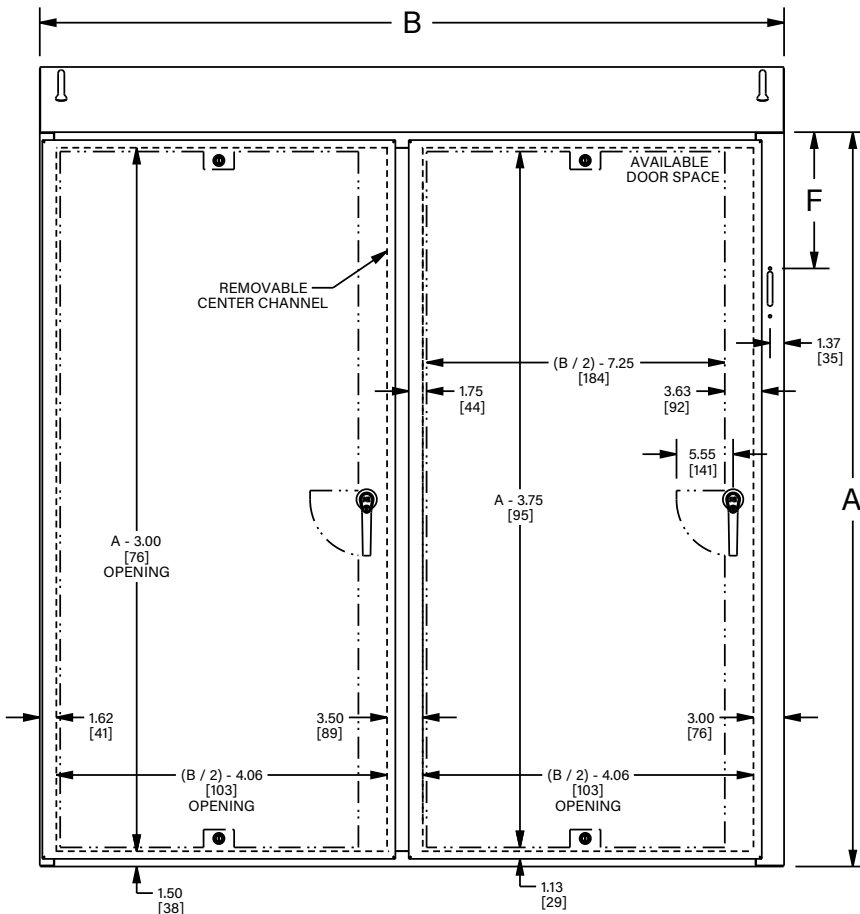


**DISCONNECT NOTES:**

$F = 7.88$  [200] when  $A = 60.00$  [1524]  
 $F = 13.38$  [340] when  $A = 72.00$  [1829]

**LATCH NOTE:**

Omit center latch top and bottom of door when door width is  $< 30.00$  [762]



# STAINLESS STEEL HEAVY DUTY FREE-STANDING ENCLOSURES FOR FLANGE-MOUNTED DISCONNECTS

## Application

Designed to house electrical equipment and provide degree of protection from dirt, dust, oil and water and to house most standard type disconnects. For installation information, consult our installation manual at [www.saginawcontrol.com](http://www.saginawcontrol.com).

## Construction

- 0.104" stainless steel Type 304.
- Seams continuously welded and ground smooth.
- Flange trough collar around all sides of door opening.
- Body stiffeners in large enclosures for extra rigidity.
- Heavy duty lifting eyes anchor into reinforced top.
- Stainless steel concealed hinges.
- Black zinc die cast coinproof/padlocking handle.
- 3-point latching mechanism.
- Black quarter turn latches as required.
- Panel supports.
- Large removable print pockets.
- Pour in place oil and water resistant gasket.
- Removable sub-panels mount on collar studs.
- Defeater on master door requires a screwdriver to open.
- Ground stud on door and body.
- Provisions for light kit.

## Finish

#4 brushed finish on all exterior surfaces.

Disconnect switch (or circuit breaker) and operating mechanism are not furnished with this enclosure.

## IS6 Industry Standards

NEMA Type 3R, 4, 4X, 12 & Type 13

UL Listed Type 3R, 4, 4X & 12

CSA Type 3R, 4, 4X & 12

IEC 60529 IP66

\*\*\*To maintain Type 3R listing, drainage is required. Install equally rated drainage device or drill a 1/8 to 1/4 inch hole in the bottom center of the enclosure, approximately 1 inch from the right, and 1 inch from the left for drainage, use listed rain-tight or wet location hubs. Drip shield over the door is recommended for all outdoor applications.

## SINGLE-DOOR ENCLOSURES

### 304 STAINLESS STEEL

Enclosure Product Code S2

Sub-Panel (P3)

Catalog No.	Height (A)	Width (B)	Depth (C)	Industry Standard	Catalog No.	Panel Height (D)	Panel Width (E)
<a href="#">SCE-72XM2818SS</a>	72.00	27.50	18.00	IS6	<a href="#">SCE-64P25**</a>	60.00	21.75
<a href="#">SCE-72XM3418SS</a>	72.00	33.50	18.00	IS6	<a href="#">SCE-64P31**</a>	60.00	27.75
<a href="#">SCE-72XM4018SS</a>	72.00	39.50	18.00	IS6	<a href="#">SCE-64P37**</a>	60.00	33.75
<a href="#">SCE-84XM4018SS</a>	84.00	39.50	18.00	IS6	<a href="#">SCE-76P37**</a>	72.00	33.75
<a href="#">SCE-84XM4024SS</a>	84.00	39.50	24.00	IS6	<a href="#">SCE-76P37**</a>	72.00	33.75
<a href="#">SCE-90XM4018SS</a>	90.00	39.50	18.00	IS6	<a href="#">SCE-82P37**</a>	78.00	33.75
<a href="#">SCE-90XM4020SS</a>	90.00	39.50	20.00	IS6	<a href="#">SCE-82P37**</a>	78.00	33.75
<a href="#">SCE-90XM4024SS</a>	90.00	39.50	24.00	IS6	<a href="#">SCE-82P37**</a>	78.00	33.75

### 316 STAINLESS STEEL

Enclosure Product Code S2

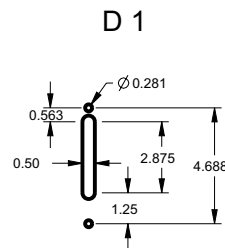
Sub-Panel (P3)

Catalog No.	Height (A)	Width (B)	Depth (C)	Industry Standard	Catalog No.	Panel Height (D)	Panel Width (E)
<a href="#">SCE-72XM2818SS6</a>	72.00	27.50	18.00	IS6	<a href="#">SCE-64P25**</a>	60.00	21.75
<a href="#">SCE-72XM3418SS6</a>	72.00	33.50	18.00	IS6	<a href="#">SCE-64P31**</a>	60.00	27.75
<a href="#">SCE-72XM4018SS6</a>	72.00	39.50	18.00	IS6	<a href="#">SCE-64P37**</a>	60.00	33.75
<a href="#">SCE-84XM4018SS6</a>	84.00	39.50	18.00	IS6	<a href="#">SCE-76P37**</a>	72.00	33.75
<a href="#">SCE-84XM4024SS6</a>	84.00	39.50	24.00	IS6	<a href="#">SCE-76P37**</a>	72.00	33.75
<a href="#">SCE-90XM4018SS6</a>	90.00	39.50	18.00	IS6	<a href="#">SCE-82P37**</a>	78.00	33.75
<a href="#">SCE-90XM4020SS6</a>	90.00	39.50	20.00	IS6	<a href="#">SCE-82P37**</a>	78.00	33.75
<a href="#">SCE-90XM4024SS6</a>	90.00	39.50	24.00	IS6	<a href="#">SCE-82P37**</a>	78.00	33.75

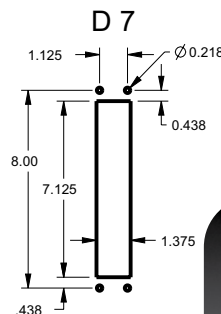
## XM ENCLOSURES

\* Add the letter U to the end of the part number for enclosures with a universal disconnect cutout.

Standard Disconnect cutout provided



Universal Disconnect cutout



# STAINLESS STEEL HEAVY DUTY FREE-STANDING ENCLOSURES FOR FLANGE-MOUNTED DISCONNECTS

## TWO-DOOR ENCLOSURES 304 STAINLESS STEEL

Enclosure Product Code S2

Catalog No.	Height (A)	Width (B)	Depth (C)	Industry Standard	Catalog No.	Panel Height (D)	Panel Width (E)
<a href="#">SCE-72XM5418SS</a>	72.00	53.75	18.00	IS6	<a href="#">SCE-64P52**</a>	60.00	48.00
<a href="#">SCE-72XM6618SS</a>	72.00	65.75	18.00	IS6	<a href="#">SCE-64P64**</a>	60.00	60.00
<a href="#">SCE-72XM7818SS</a>	72.00	77.75	18.00	IS6	<a href="#">SCE-64P76**</a>	60.00	72.00
<a href="#">SCE-72XM7824SS</a>	72.00	77.75	24.00	IS6	<a href="#">SCE-64P76**</a>	60.00	72.00
<a href="#">SCE-84XM7818SS</a>	84.00	77.75	18.00	IS6	<a href="#">SCE-76P76**</a>	72.00	72.00
<a href="#">SCE-84XM7824SS</a>	84.00	77.75	24.00	IS6	<a href="#">SCE-76P76**</a>	72.00	72.00
<a href="#">SCE-90XM7818SS</a>	90.00	77.75	18.00	IS6	<a href="#">SCE-82P76**</a>	78.00	72.00
<a href="#">SCE-90XM7824SS</a>	90.00	77.75	24.00	IS6	<a href="#">SCE-82P76**</a>	78.00	72.00

## 316 STAINLESS STEEL

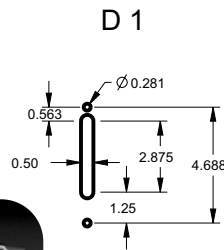
Enclosure Product Code S2

Catalog No.	Height (A)	Width (B)	Depth (C)	Industry Standard	Catalog No.	Panel Height (D)	Panel Width (E)
<a href="#">SCE-72XM5418SS6</a>	72.00	53.75	18.00	IS6	<a href="#">SCE-64P52**</a>	60.00	48.00
<a href="#">SCE-72XM6618SS6</a>	72.00	65.75	18.00	IS6	<a href="#">SCE-64P64**</a>	60.00	60.00
<a href="#">SCE-72XM7818SS6</a>	72.00	77.75	18.00	IS6	<a href="#">SCE-64P76**</a>	60.00	72.00
<a href="#">SCE-72XM7824SS6</a>	72.00	77.75	24.00	IS6	<a href="#">SCE-64P76**</a>	60.00	72.00
<a href="#">SCE-84XM7818SS6</a>	84.00	77.75	18.00	IS6	<a href="#">SCE-76P76**</a>	72.00	72.00
<a href="#">SCE-84XM7824SS6</a>	84.00	77.75	24.00	IS6	<a href="#">SCE-76P76**</a>	72.00	72.00
<a href="#">SCE-90XM7818SS6</a>	90.00	77.75	18.00	IS6	<a href="#">SCE-82P76**</a>	78.00	72.00
<a href="#">SCE-90XM7824SS6</a>	90.00	77.75	24.00	IS6	<a href="#">SCE-82P76**</a>	78.00	72.00

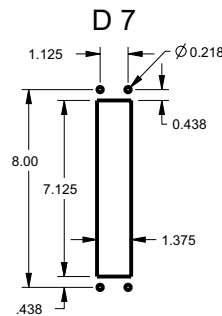
### XM ENCLOSURES

\* Add the letter U to the end of the part number for enclosures with a universal disconnect cutout.

Standard Disconnect cutout provided



Universal Disconnect cutout



\*\*Sub-panel included with enclosure. Replacement sub-panels can be ordered.

# STAINLESS STEEL HEAVY DUTY FREE-STANDING ENCLOSURES FOR FLANGE-MOUNTED DISCONNECTS

## Application

Designed to house electrical equipment and provide degree of protection from dirt, dust, oil and water and to house most standard type disconnects. For installation information, consult our installation manual at [www.saginawcontrol.com](http://www.saginawcontrol.com).

## Construction

- 0.104" stainless steel Type 304.
- Seams continuously welded and ground smooth.
- Flange trough collar around all sides of door opening.
- Body stiffeners in large enclosures for extra rigidity.
- Heavy duty lifting eyes anchor into reinforced top.
- Stainless steel concealed hinges.
- Black zinc die cast coinproof/padlocking handle.
- 3-point latching mechanism.
- Black quarter turn latches as required.
- Panel supports.
- Large removable print pockets.
- Pour in place oil and water resistant gasket.
- Removable sub-panels mount on collar studs.
- Defeater on master door requires a screwdriver to open.
- Ground stud on door and body.
- Provisions for light kit.

## Finish

#4 brushed finish on all exterior surfaces.

Disconnect switch (or circuit breaker) and operating mechanism are not furnished with this enclosure.

## IS6 Industry Standards

NEMA Type 3R, 4, 4X, 12 & Type 33

UL Listed Type 3R, 4, 4X & 12

CSA Type 3R, 4, 4X & 12

IEC 60529 IP66

\*\*\*To maintain Type 3R listing, drainage is required. Install equally rated drainage device or drill a 1/8 to 1/4 inch hole in the bottom center of the enclosure, approximately 1 inch from the right, and 1 inch from the left for drainage, use listed rain-tight or wet location hubs. Drip shield over the door is recommended for all outdoor applications.



## THREE-DOOR ENCLOSURES 304 STAINLESS STEEL

Enclosure Product Code S2

Sub-Panel (P3)

Catalog No.	Height (A)	Width (B)	Depth (C)	Industry Standard	Catalog No.	Panel Height (D)	Panel Width (E)
<a href="#">SCE-72XM3EQ18SS</a>	72.00	99.50	18.00	IS6	<a href="#">SCE-64P31**</a>	60.00	27.75
					<a href="#">SCE-64P64**</a>	60.00	60.00
<a href="#">SCE-72XM3EW18SS</a>	72.00	117.50	18.00	IS6	<a href="#">SCE-64P37**</a>	60.00	33.75
					<a href="#">SCE-64P76**</a>	60.00	72.00
<a href="#">SCE-84XM3EW18SS</a>	84.00	117.50	18.00	IS6	<a href="#">SCE-76P37**</a>	72.00	33.75
					<a href="#">SCE-76P76**</a>	72.00	72.00
<a href="#">SCE-84XM3EW24SS</a>	84.00	117.50	24.00	IS6	<a href="#">SCE-76P37**</a>	72.00	33.75
					<a href="#">SCE-76P76**</a>	72.00	72.00
<a href="#">SCE-90XM3EW24SS</a>	90.00	117.50	24.00	IS6	<a href="#">SCE-82P37**</a>	78.00	33.75
					<a href="#">SCE-82P76**</a>	78.00	72.00

## 316 STAINLESS STEEL

Enclosure Product Code S2

Sub-Panel (P3)

Catalog No.	Height (A)	Width (B)	Depth (C)	Industry Standard	Catalog No.	Panel Height (D)	Panel Width (E)
<a href="#">SCE-72XM3EQ18SS6</a>	72.00	99.50	18.00	IS6	<a href="#">SCE-64P31**</a>	60.00	27.75
					<a href="#">SCE-64P64**</a>	60.00	60.00
<a href="#">SCE-72XM3EW18SS6</a>	72.00	117.50	18.00	IS6	<a href="#">SCE-64P37**</a>	60.00	33.75
					<a href="#">SCE-64P76**</a>	60.00	72.00
<a href="#">SCE-84XM3EW18SS6</a>	84.00	117.50	18.00	IS6	<a href="#">SCE-76P37**</a>	72.00	33.75
					<a href="#">SCE-76P76**</a>	72.00	72.00
<a href="#">SCE-84XM3EW24SS6</a>	84.00	117.50	24.00	IS6	<a href="#">SCE-76P37**</a>	72.00	33.75
					<a href="#">SCE-76P76**</a>	72.00	72.00
<a href="#">SCE-90XM3EW24SS6</a>	90.00	117.50	24.00	IS6	<a href="#">SCE-82P37**</a>	78.00	33.75
					<a href="#">SCE-82P76**</a>	78.00	72.00

## FOUR-DOOR ENCLOSURES 304 STAINLESS STEEL

Enclosure Product Code S2

Sub-Panel (P3)

Catalog No.	Height (A)	Width (B)	Depth (C)	Industry Standard	Catalog No.	Panel Height (D)	Panel Width (E)
<a href="#">SCE-84XM4EW18SS</a>	84.00	157.50	18.00	IS6	<a href="#">SCE-76P76** (2)</a>	72.00	72.00
<a href="#">SCE-84XM4EW24SS</a>	84.00	157.50	24.00	IS6	<a href="#">SCE-76P76** (2)</a>	72.00	72.00
<a href="#">SCE-90XM4EW18SS</a>	90.00	157.50	18.00	IS6	<a href="#">SCE-82P76** (2)</a>	78.00	72.00
<a href="#">SCE-90XM4EW24SS</a>	90.00	157.50	24.00	IS6	<a href="#">SCE-82P76** (2)</a>	78.00	72.00

## 316 STAINLESS STEEL

Enclosure Product Code S2

Sub-Panel (P3)

Catalog No.	Height (A)	Width (B)	Depth (C)	Industry Standard	Catalog No.	Panel Height (D)	Panel Width (E)
<a href="#">SCE-84XM4EW18SS6</a>	84.00	157.50	18.00	IS6	<a href="#">SCE-76P76** (2)</a>	72.00	72.00
<a href="#">SCE-84XM4EW24SS6</a>	84.00	157.50	24.00	IS6	<a href="#">SCE-76P76** (2)</a>	72.00	72.00
<a href="#">SCE-90XM4EW18SS6</a>	90.00	157.50	18.00	IS6	<a href="#">SCE-82P76** (2)</a>	78.00	72.00
<a href="#">SCE-90XM4EW24SS6</a>	90.00	157.50	24.00	IS6	<a href="#">SCE-82P76** (2)</a>	78.00	72.00

# 316

\*\*Sub-panel included with enclosure. Replacement sub-panels can be ordered.

# STAINLESS STEEL HEAVY DUTY FREE-STANDING ENCLOSURES FOR FLANGE-MOUNTED DISCONNECTS

## FIVE-DOOR ENCLOSURES 304 STAINLESS STEEL

Enclosure Product Code S2

Catalog No.	Height (A)	Width (B)	Depth (C)	Industry Standard	Catalog No.	Panel Height (D)	Panel Width (E)
<a href="#">SCE-84XM5EW18SS</a>	84.00	196.75	18.00	IS6	<a href="#">SCE-76P37**</a> (2)	72.00	33.75
					<a href="#">SCE-76P76**</a>	72.00	72.00
<a href="#">SCE-84XM5EW24SS</a>	84.00	196.75	24.00	IS6	<a href="#">SCE-76P37**</a> (2)	72.00	33.75
					<a href="#">SCE-76P76**</a>	72.00	72.00
<a href="#">SCE-90XM5EW18SS</a>	90.00	196.75	18.00	IS6	<a href="#">SCE-82P37**</a> (2)	78.00	33.75
					<a href="#">SCE-82P76**</a>	78.00	72.00
<a href="#">SCE-90XM5EW24SS</a>	90.00	196.75	24.00	IS6	<a href="#">SCE-82P37**</a> (2)	78.00	33.75
					<a href="#">SCE-82P76**</a>	78.00	72.00

## 316 STAINLESS STEEL

Enclosure Product Code S2

Catalog No.	Height (A)	Width (B)	Depth (C)	Industry Standard	Catalog No.	Panel Height (D)	Panel Width (E)
<a href="#">SCE-84XM5EW18SS6</a>	84.00	196.75	18.00	IS6	<a href="#">SCE-76P37**</a> (2)	72.00	33.75
					<a href="#">SCE-76P76**</a>	72.00	72.00
<a href="#">SCE-84XM5EW24SS6</a>	84.00	196.75	24.00	IS6	<a href="#">SCE-76P37**</a> (2)	72.00	33.75
					<a href="#">SCE-76P76**</a>	72.00	72.00
<a href="#">SCE-90XM5EW18SS6</a>	90.00	196.75	18.00	IS6	<a href="#">SCE-82P37**</a> (2)	78.00	33.75
					<a href="#">SCE-82P76**</a>	78.00	72.00
<a href="#">SCE-90XM5EW24SS6</a>	90.00	196.75	24.00	IS6	<a href="#">SCE-82P37**</a> (2)	78.00	33.75
					<a href="#">SCE-82P76**</a>	78.00	72.00

## SIX-DOOR ENCLOSURES 304 STAINLESS STEEL

Enclosure Product Code S2

Catalog No.	Height (A)	Width (B)	Depth (C)	Industry Standard	Catalog No.	Panel Height (D)	Panel Width (E)
<a href="#">SCE-84XM6EW24SS</a>	84.00	235.00	24.00	IS6	<a href="#">SCE-76P76**</a> (3)	72.00	72.00
<a href="#">SCE-90XM6EW24SS</a>	90.00	235.00	24.00	IS6	<a href="#">SCE-82P76**</a> (3)	78.00	72.00

## 316 STAINLESS STEEL

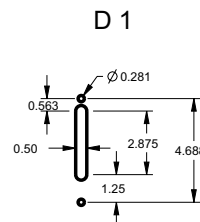
Enclosure Product Code S2

Catalog No.	Height (A)	Width (B)	Depth (C)	Industry Standard	Catalog No.	Panel Height (D)	Panel Width (E)
<a href="#">SCE-84XM6EW24SS6</a>	84.00	235.00	24.00	IS6	<a href="#">SCE-76P76**</a> (3)	72.00	72.00
<a href="#">SCE-90XM6EW24SS6</a>	90.00	235.00	24.00	IS6	<a href="#">SCE-82P76**</a> (3)	78.00	72.00

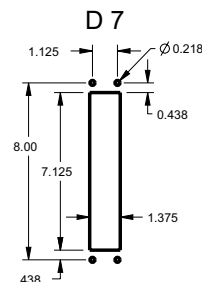
### XM ENCLOSURES

\* Add the letter U to the end of the part number for enclosures with a universal disconnect cutout.

Standard Disconnect cutout provided



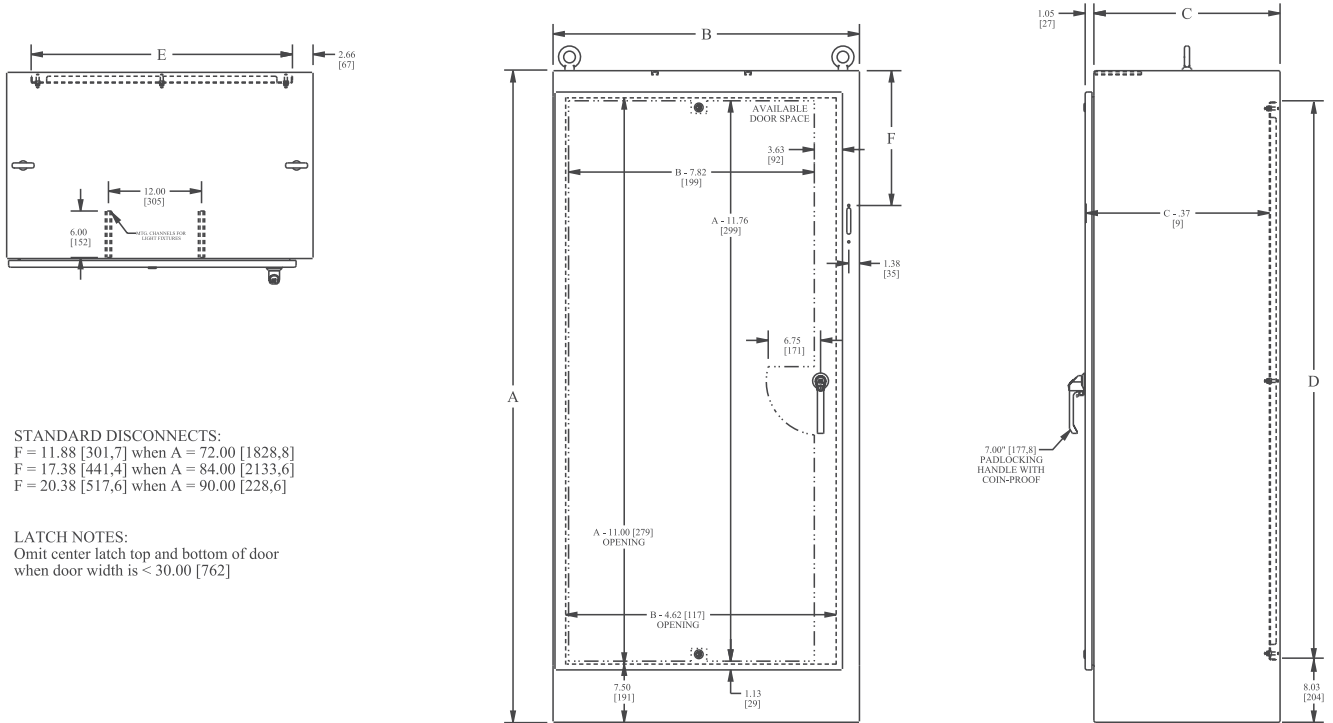
Universal Disconnect cutout



# STAINLESS STEEL HEAVY DUTY FREE-STANDING ENCLOSURES FOR FLANGE-MOUNTED DISCONNECTS

## TECHNICAL DATA

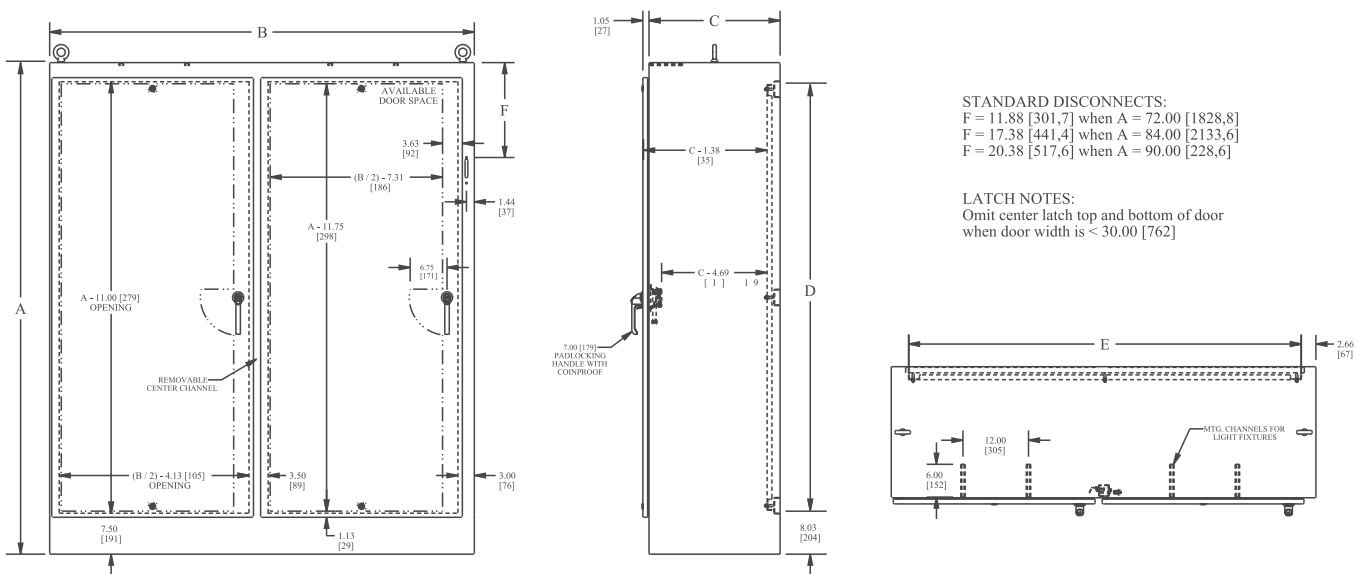
### SINGLE-DOOR ENCLOSURE



STANDARD DISCONNECTS:  
 F = 11.88 [301,7] when A = 72.00 [1828,8]  
 F = 17.38 [441,4] when A = 84.00 [2133,6]  
 F = 20.38 [517,6] when A = 90.00 [228,6]

LATCH NOTES:  
 Omit center latch top and bottom of door when door width is < 30.00 [762]

### TWO-DOOR ENCLOSURE



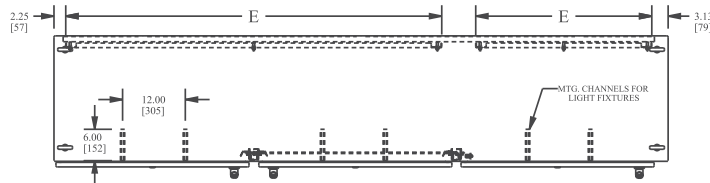
STANDARD DISCONNECTS:  
 F = 11.88 [301,7] when A = 72.00 [1828,8]  
 F = 17.38 [441,4] when A = 84.00 [2133,6]  
 F = 20.38 [517,6] when A = 90.00 [228,6]

LATCH NOTES:  
 Omit center latch top and bottom of door when door width is < 30.00 [762]

# STAINLESS STEEL HEAVY DUTY FREE-STANDING ENCLOSURES FOR FLANGE-MOUNTED DISCONNECTS

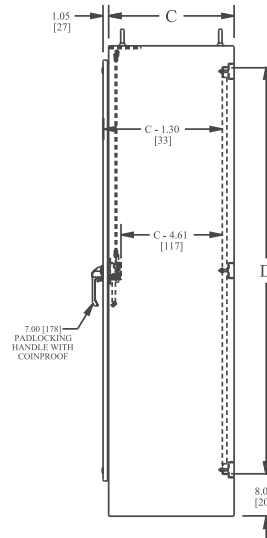
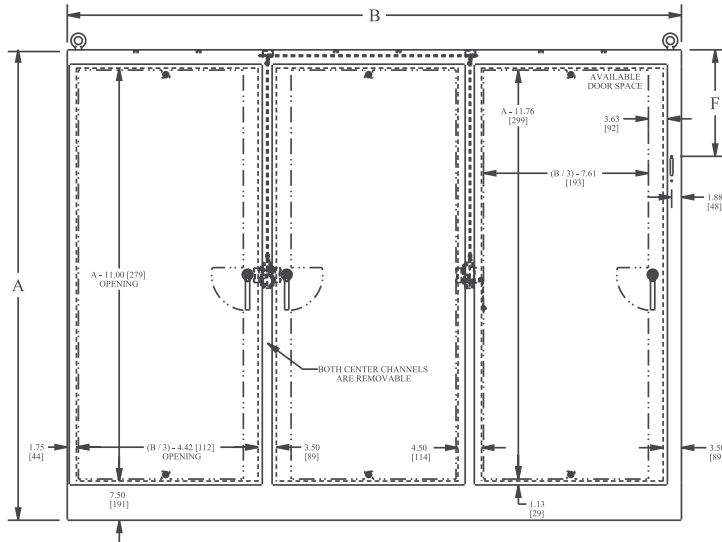
## TECHNICAL DATA

### THREE-DOOR ENCLOSURE

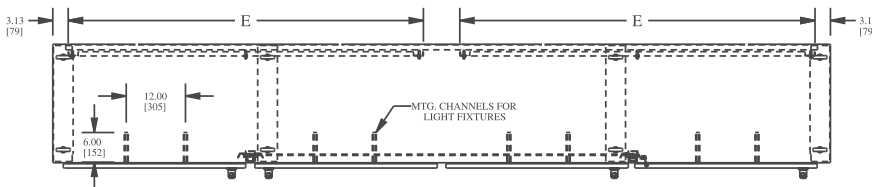


STANDARD DISCONNECTS:  
 F = 11.88 [301,7] when A = 72.00 [1828,8]  
 F = 17.38 [441,4] when A = 84.00 [2133,6]  
 F = 20.38 [517,6] when A = 90.00 [228,6]

LATCH NOTES:  
 Omit center latch top and bottom of door when door width is < 30.00 [762]

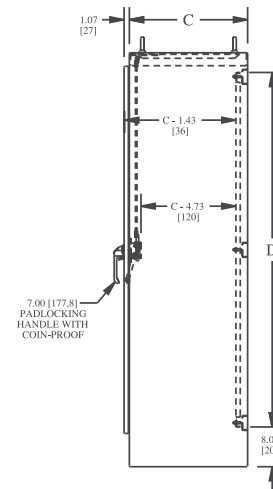
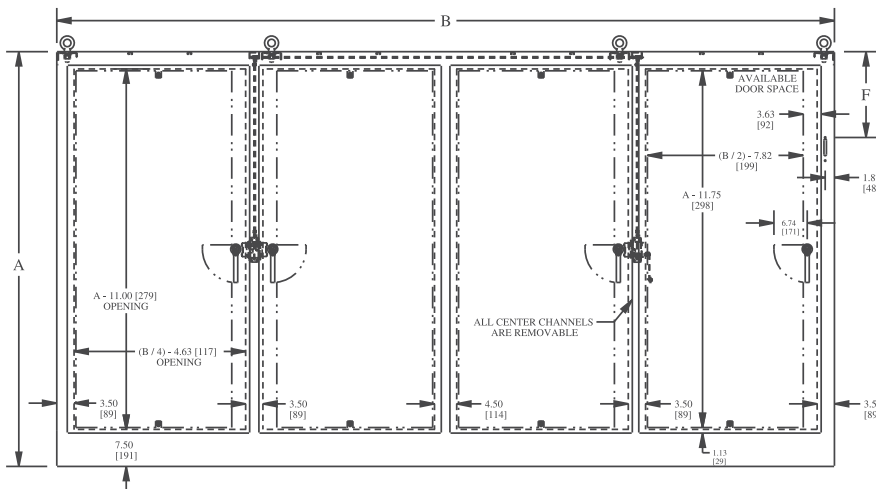


### FOUR-DOOR ENCLOSURE



STANDARD DISCONNECTS:  
 F = 11.88 [301,7] when A = 72.00 [1828,8]  
 F = 17.38 [441,4] when A = 84.00 [2133,6]  
 F = 20.38 [517,6] when A = 90.00 [228,6]

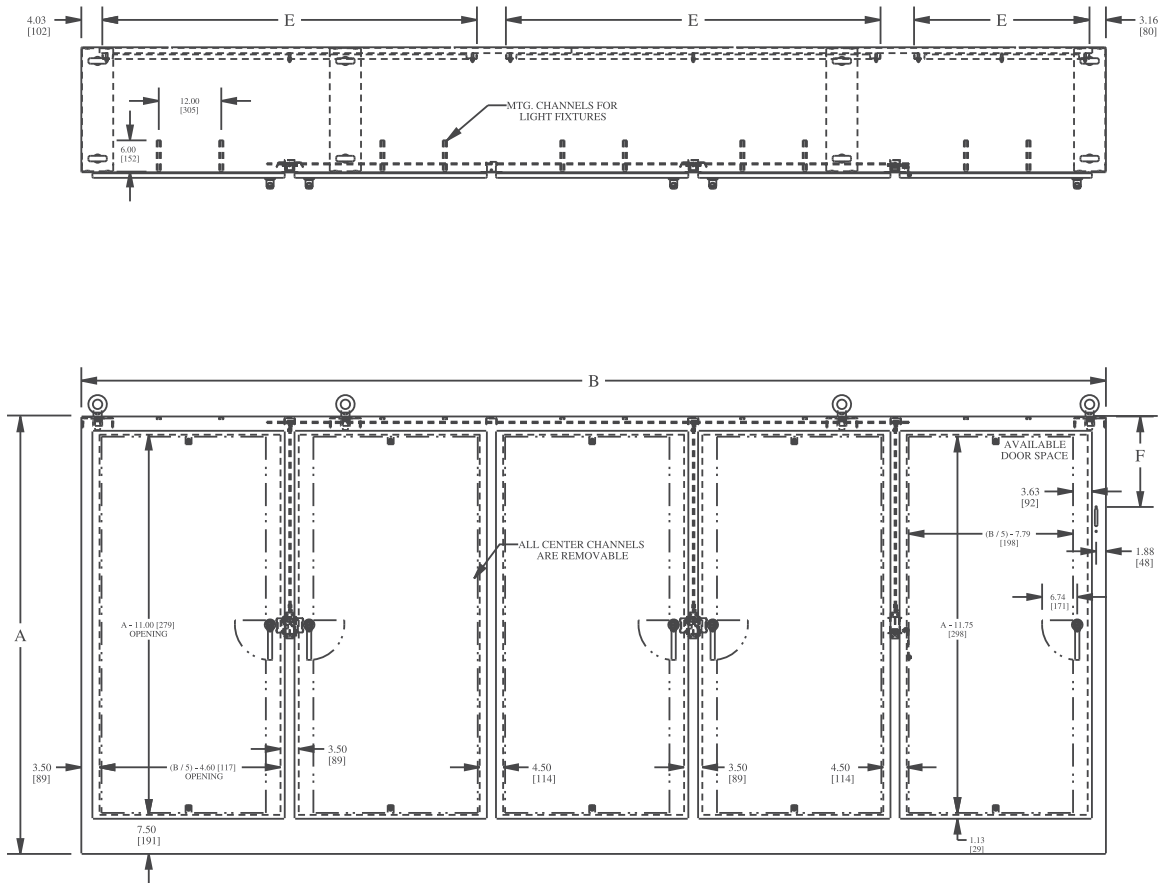
LATCH NOTES:  
 Omit center latch top and bottom of door when door width is < 30.00 [762]



# STAINLESS STEEL HEAVY DUTY FREE-STANDING ENCLOSURES FOR FLANGE-MOUNTED DISCONNECTS

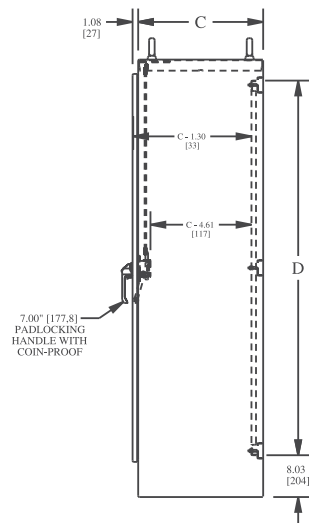
## TECHNICAL DATA

### FIVE-DOOR ENCLOSURE



STANDARD DISCONNECTS:  
 F = 11.88 [301,7] when A = 72.00 [1828,8]  
 F = 17.38 [441,4] when A = 84.00 [2133,6]  
 F = 20.38 [517,6] when A = 90.00 [228,6]

LATCH NOTES:  
 Omit center latch top and bottom of door  
 when door width is < 30.00 [762]







# STAINLESS STEEL XD HEAVY DUTY FREE-STANDING ENCLOSURES WITH EXTERNAL DISCONNECT ENCLOSURE INSTALLED

## Application

Designed to house the main power supply in external enclosure on the right side of main enclosure, keeping the live side of the power supply separate from the primary electrical equipment. Provides protection from dirt, dust, oil and water and can house most standard type disconnects. For installation information consult our installation manual at [www.saginawcontrol.com](http://www.saginawcontrol.com).

## Construction

- 0.104" stainless steel Type 304.
- Seams continuously welded and ground smooth.
- Flange trough collar around all sides of door opening.
- Body stiffeners in large enclosures for extra rigidity.
- Heavy duty lifting eyes anchor into reinforced top.
- Removable center posts permit easy sub-panel installation.
- Concealed hinges.
- Black zinc die cast padlocking handles.
- 3-point latching mechanism.
- Large removable print pockets.
- Pour in place oil and water resistant gasket.
- Removable panels mount on collar studs.
- Defeater on master door requires a screwdriver to open.
- Mechanical interlock activated by the External Disconnect prevents main door of the enclosure from being closed unless the EXD enclosure is first closed.
- Mechanical interlock activated by master door prevents slave doors from being opened first. Doors can be closed in any order.
- Ground stud on door and body.
- Provisions for light kit.

## Finish

#4 brushed finish on all exterior surfaces.

Disconnect switch (or circuit breaker) and operating mechanism are not furnished with this enclosure.

## IS6 Industry Standards

NEMA Type 3R, 4, 4X, 12 & Type 13

UL Listed Type 3R, 4, 4X & 12

CSA Type 3R, 4, 4X & 12

IEC 60529 IP66

\*\*\*To maintain Type 3R listing, drainage is required. Install equally rated drainage device or drill a 1/8 to 1/4 inch hole in the bottom center of the enclosure, approximately 1 inch from the right, and 1 inch from the left for drainage, use listed rain-tight or wet location hubs. Drip shield over the door is recommended for all outdoor applications.

## SINGLE-DOOR ENCLOSURES

### 304 STAINLESS STEEL

Enclosure Product Code S2					Sub-Panel (P3)		
Catalog No.	Height (A)	Width (B)	Depth (C)	Industry Standard	Catalog No.	Panel Height (D)	Panel Width (E)
<a href="#">SCE-72XD2818SS</a>	72.00	27.50	18.00	IS6	<a href="#">SCE-64P25**</a>	60.00	21.75
<a href="#">SCE-72XD3418SS</a>	72.00	33.50	18.00	IS6	<a href="#">SCE-64P31**</a>	60.00	27.75
<a href="#">SCE-72XD4018SS</a>	72.00	39.50	18.00	IS6	<a href="#">SCE-64P37**</a>	60.00	33.75
<a href="#">SCE-84XD4018SS</a>	84.00	39.50	18.00	IS6	<a href="#">SCE-76P37**</a>	72.00	33.75
<a href="#">SCE-90XD4018SS</a>	90.00	39.50	18.00	IS6	<a href="#">SCE-82P37**</a>	78.00	33.75

### 316 STAINLESS STEEL

Enclosure Product Code S2					Sub-Panel (P3)		
Catalog No.	Height (A)	Width (B)	Depth (C)	Industry Standard	Catalog No.	Panel Height (D)	Panel Width (E)
<a href="#">SCE-72XD2818SS6</a>	72.00	27.50	18.00	IS6	<a href="#">SCE-64P25**</a>	60.00	21.75
<a href="#">SCE-72XD3418SS6</a>	72.00	33.50	18.00	IS6	<a href="#">SCE-64P31**</a>	60.00	27.75
<a href="#">SCE-72XD4018SS6</a>	72.00	39.50	18.00	IS6	<a href="#">SCE-64P37**</a>	60.00	33.75
<a href="#">SCE-84XD4018SS6</a>	84.00	39.50	18.00	IS6	<a href="#">SCE-76P37**</a>	72.00	33.75
<a href="#">SCE-90XD4018SS6</a>	90.00	39.50	18.00	IS6	<a href="#">SCE-82P37**</a>	78.00	33.75

## TWO-DOOR ENCLOSURES

### 304 STAINLESS STEEL

Enclosure Product Code S2					Sub-Panel (P3)		
Catalog No.	Height (A)	Width (B)	Depth (C)	Industry Standard	Catalog No.	Panel Height (D)	Panel Width (E)
<a href="#">SCE-72XD5418SS</a>	72.00	53.75	18.00	IS6	<a href="#">SCE-64P52**</a>	60.00	48.00
<a href="#">SCE-72XD6618SS</a>	72.00	65.75	18.00	IS6	<a href="#">SCE-64P64**</a>	60.00	60.00
<a href="#">SCE-72XD7818SS</a>	72.00	77.75	18.00	IS6	<a href="#">SCE-64P76**</a>	60.00	72.00
<a href="#">SCE-84XD7818SS</a>	84.00	77.75	18.00	IS6	<a href="#">SCE-76P76**</a>	72.00	72.00
<a href="#">SCE-90XD7818SS</a>	90.00	77.75	18.00	IS6	<a href="#">SCE-82P76**</a>	78.00	72.00

### 316 STAINLESS STEEL

Enclosure Product Code S2					Sub-Panel (P3)		
Catalog No.	Height (A)	Width (B)	Depth (C)	Industry Standard	Catalog No.	Panel Height (D)	Panel Width (E)
<a href="#">SCE-72XD5418SS6</a>	72.00	53.75	18.00	IS6	<a href="#">SCE-64P52**</a>	60.00	48.00
<a href="#">SCE-72XD6618SS6</a>	72.00	65.75	18.00	IS6	<a href="#">SCE-64P64**</a>	60.00	60.00
<a href="#">SCE-72XD7818SS6</a>	72.00	77.75	18.00	IS6	<a href="#">SCE-64P76**</a>	60.00	72.00
<a href="#">SCE-84XD7818SS6</a>	84.00	77.75	18.00	IS6	<a href="#">SCE-76P76**</a>	72.00	72.00
<a href="#">SCE-90XD7818SS6</a>	90.00	77.75	18.00	IS6	<a href="#">SCE-82P76**</a>	78.00	72.00

# STAINLESS STEEL XD HEAVY DUTY FREE-STANDING ENCLOSURES WITH EXTERNAL DISCONNECT ENCLOSURE INSTALLED

## THREE-DOOR ENCLOSURES

### 304 STAINLESS STEEL

Enclosure Product Code S2

Catalog No.	Height (A)	Width (B)	Depth (C)	Industry Standard	Catalog No.	Panel Height (D)	Panel Width (E)
<a href="#">SCE-72XD3EQ18SS</a>	72.00	99.50	18.00	IS6	<a href="#">SCE-64P31**</a>	60.00	27.75
					<a href="#">SCE-64P37**</a>	60.00	33.75
<a href="#">SCE-72XD3EW18SS</a>	72.00	117.50	18.00	IS6	<a href="#">SCE-76P37**</a>	72.00	33.75
					<a href="#">SCE-64P37**</a>	60.00	33.75
<a href="#">SCE-84XD3EW18SS</a>	84.00	117.50	18.00	IS6	<a href="#">SCE-76P37**</a>	72.00	33.75
					<a href="#">SCE-76P37**</a>	72.00	33.75

### 316 STAINLESS STEEL

Enclosure Product Code S2

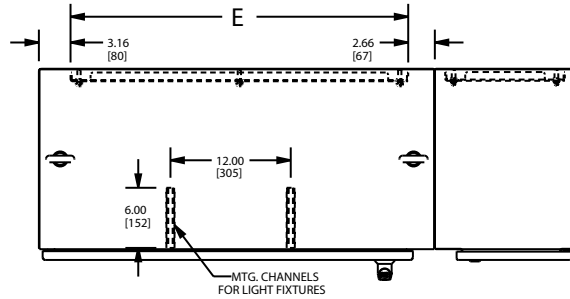
Catalog No.	Height (A)	Width (B)	Depth (C)	Industry Standard	Catalog No.	Panel Height (D)	Panel Width (E)
<a href="#">SCE-72XD3EQ18SS6</a>	72.00	99.50	18.00	IS6	<a href="#">SCE-64P31**</a>	60.00	27.75
					<a href="#">SCE-64P37**</a>	60.00	33.75
<a href="#">SCE-72XD3EW18SS6</a>	72.00	117.50	18.00	IS6	<a href="#">SCE-76P37**</a>	72.00	33.75
					<a href="#">SCE-64P37**</a>	60.00	33.75
<a href="#">SCE-84XD3EW18SS6</a>	84.00	117.50	18.00	IS6	<a href="#">SCE-76P37**</a>	72.00	33.75
					<a href="#">SCE-76P37**</a>	72.00	33.75



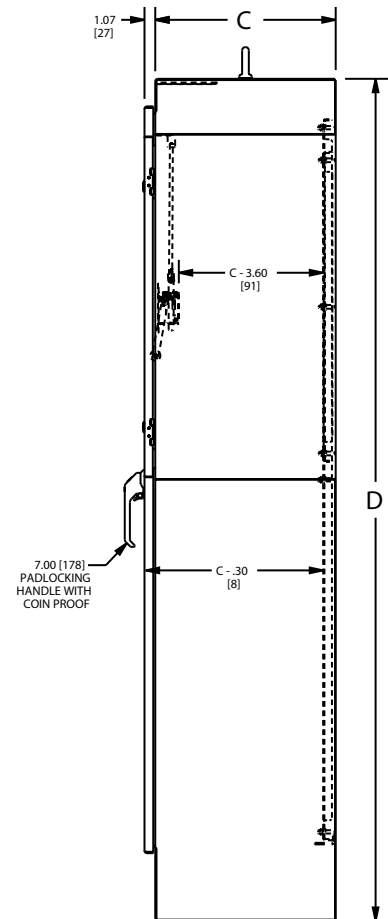
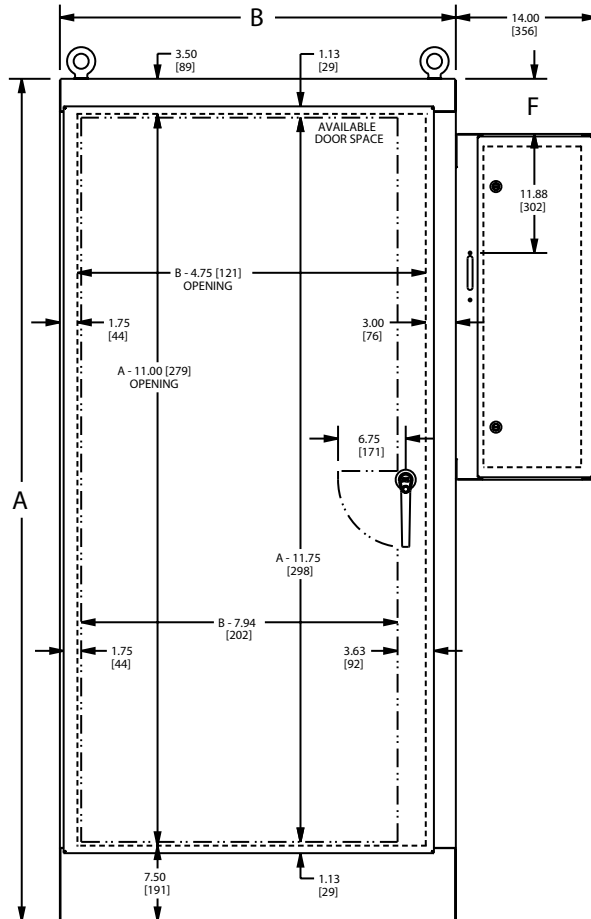
\*\*Sub-panel included with enclosure. Replacement sub-panels can be ordered.

# STAINLESS STEEL XD HEAVY DUTY FREE-STANDING ENCLOSURES WITH EXTERNAL DISCONNECT ENCLOSURE INSTALLED TECHNICAL DATA

## SINGLE-DOOR ENCLOSURES

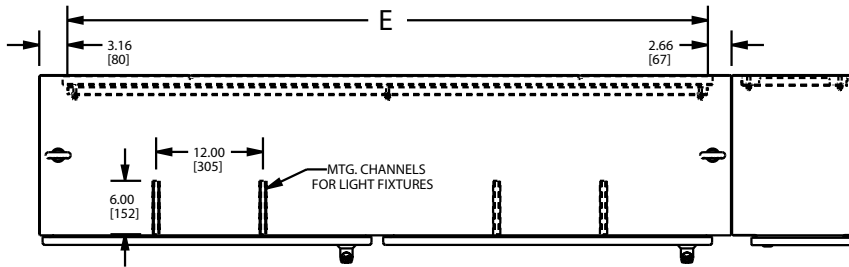


STANDARD DISCONNECTS:  
 F = 0.00 [0] when A = 72.00 [1829]  
 F = 5.50 [138] when A = 84.00 [2134]  
 F = 8.50 [216] when A = 90.00 [2286]

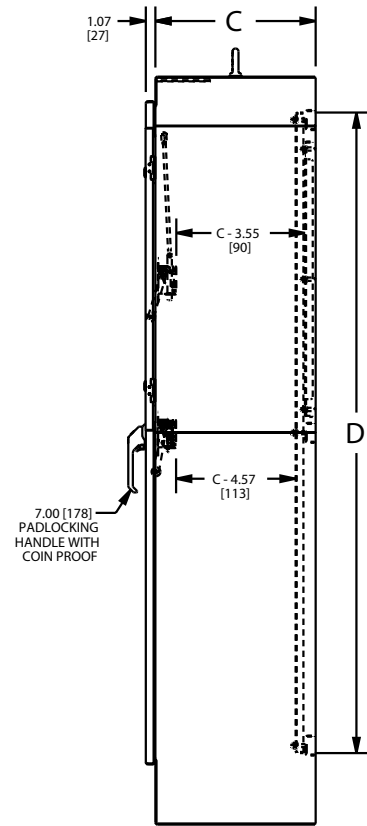
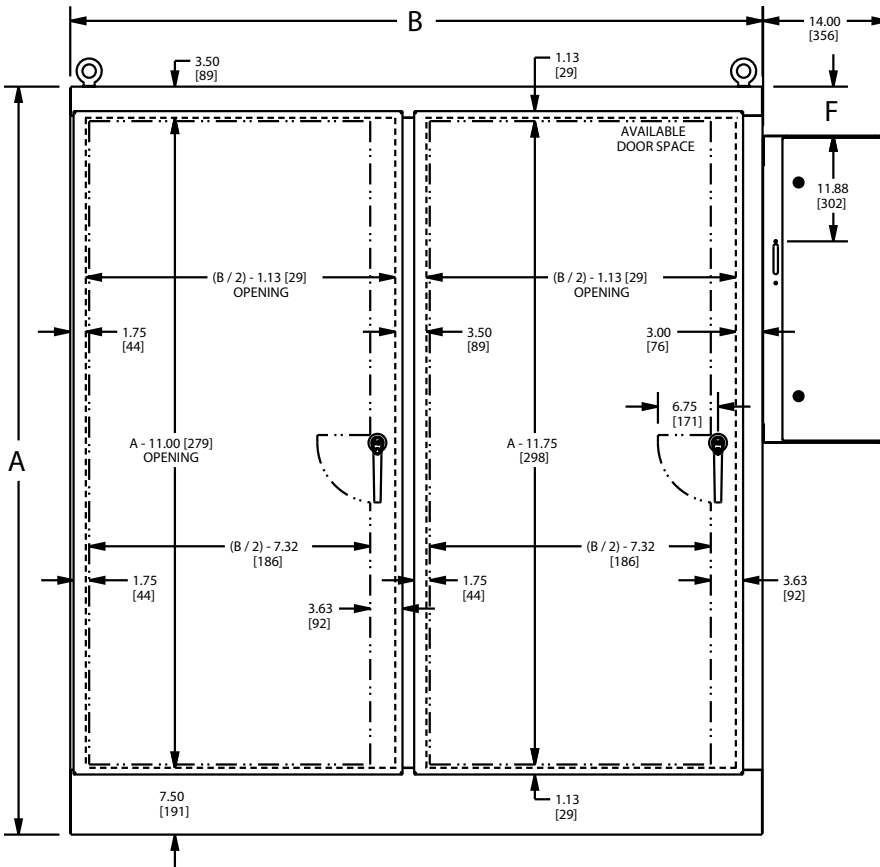


# STAINLESS STEEL XD HEAVY DUTY FREE-STANDING ENCLOSURES WITH EXTERNAL DISCONNECT ENCLOSURE INSTALLED TECHNICAL DATA

## TWO-DOOR ENCLOSURES

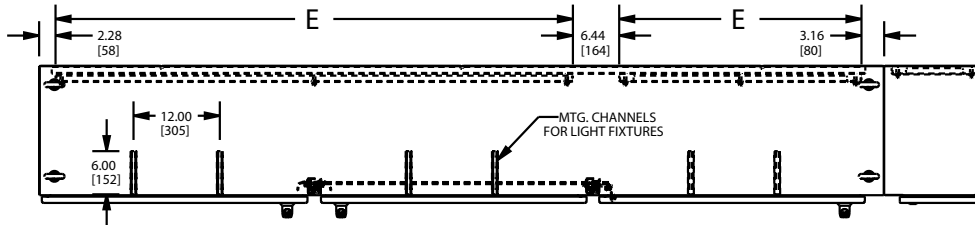


STANDARD DISCONNECTS:  
 F = 0.00 [0] when A = 72.00 [1829]  
 F = 5.50 [138] when A = 84.00 [2134]  
 F = 8.50 [216] when A = 90.00 [2286]



# STAINLESS STEEL XD HEAVY DUTY FREE-STANDING ENCLOSURES WITH EXTERNAL DISCONNECT ENCLOSURE INSTALLED TECHNICAL DATA

## THREE-DOOR ENCLOSURES

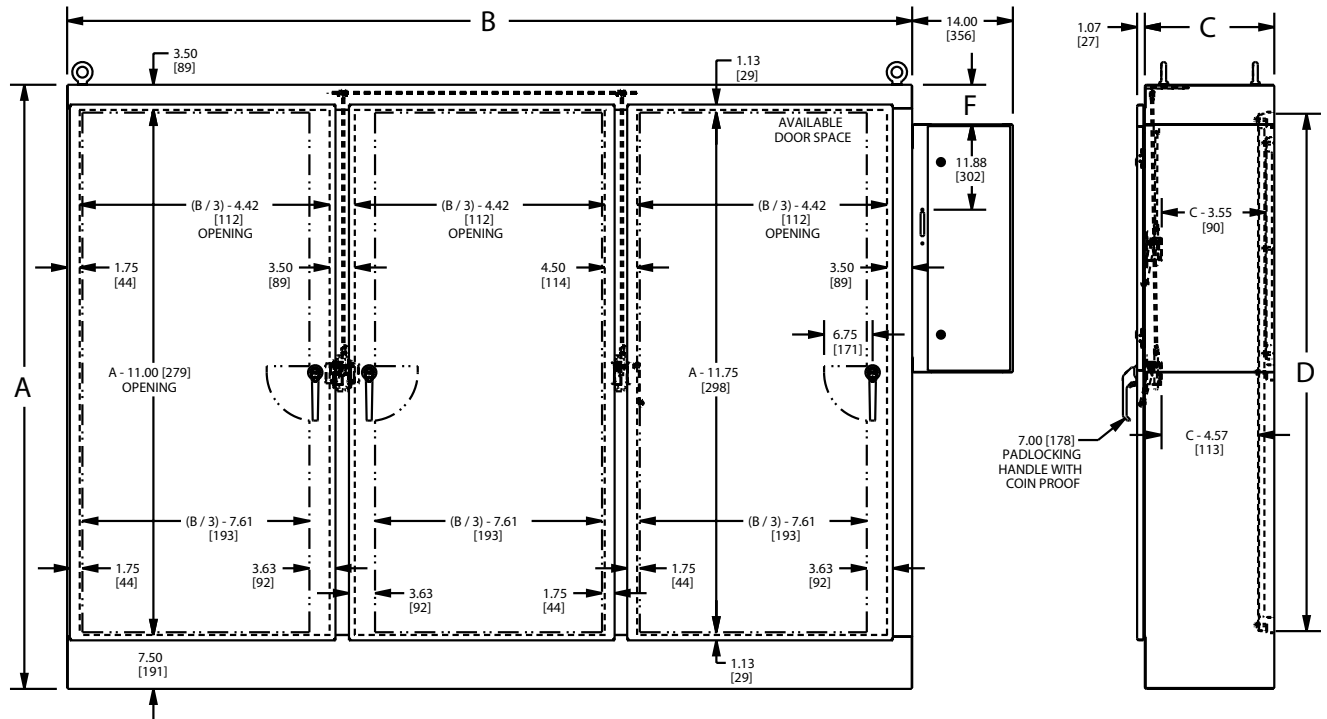


**STANDARD DISCONNECTS:**

F = 0.00 [0] when A = 72.00 [1829]

F = 5.50 [138] when A = 84.00 [2134]

F = 8.50 [216] when A = 90.00 [2286]





*Your Enclosure Source*®

# NOTES



*Your Enclosure Source*®

# NOTES



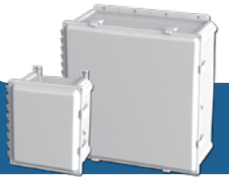


*Your Enclosure Source*®

# NOTES

# NON-METALLIC

332-333



334-335



336-337



338-339



# ENCLOSURES

340-341



342-343



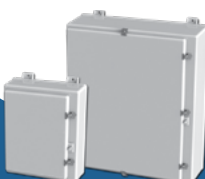
344-345



346-347



348-349



# POLYCARBONATE ENCLOSURES

## Application

Designed for indoor or outdoor use to house electrical and electronic controls, instruments and components in areas that may be regularly hosed down or are in very wet conditions. Non-corrosive, UV resistant polycarbonate enclosure with opaque covers. Provides protection from dust, dirt, oil and water. For installation information, consult our installation manual at [www.saginawcontrol.com](http://www.saginawcontrol.com).

## Construction

- Impact Resistant Polycarbonate.
- Opaque cover.
- Brass inserts for securing mounting feet.
- Polycarbonate external mounting feet included.
- Pour in place oil and water resistant gasket.
- Polycarbonate quick release latches.
- Polycarbonate hinges.
- Polycarbonate hasp and staple for padlocking.
- 10-32 standoffs provided for mounting optional panels.
- Multiple bosses for easy installation of devices and DIN rails.

## Finish

RAL 7035 Light Gray Polycarbonate

## IS6 Industry Standards

NEMA Type 3R, 4, 4X, 12 & Type 13  
 UL Listed Type 3R, 4, 4X & 12  
 CSA Type 3R, 4, 4X & 12  
 IEC 60529 IP66

\*\*\*To maintain Type 3R listing, drainage is required. Install equally rated drainage device or drill a 1/8 to 1/4 inch hole in the bottom center of the enclosure, approximately 1 inch from the right, and 1 inch from the left for drainage, use listed rain-tight or wet location hubs. Drip shield over the door is recommended for all outdoor applications.



Enclosure Product Code F1

Catalog No.	Height (A)	Width (B)	Depth (C)	Industry Standard
<a href="#">SCE-606PC</a>	7.41	8.68	5.84	IS6
<a href="#">SCE-806PC</a>	9.47	8.68	5.86	IS6
<a href="#">SCE-808PC</a>	9.41	9.41	5.86	IS6
<a href="#">SCE-1008PC</a>	11.41	10.68	6.36	IS6
<a href="#">SCE-10086PC</a>	11.41	9.41	7.39	IS6
<a href="#">SCE-1010PC</a>	11.41	11.41	6.47	IS6
<a href="#">SCE-1210PC</a>	13.40	12.68	7.86	IS6
<a href="#">SCE-1412PC</a>	15.40	14.68	7.89	IS6
<a href="#">SCE-1614PC</a>	17.65	16.68	9.98	IS6
<a href="#">SCE-1816PC</a>	19.41	18.68	11.90	IS6
<a href="#">SCE-18164PC</a>	19.41	17.41	5.41	IS6
<a href="#">SCE-2016PC</a>	21.41	17.41	9.97	IS6
<a href="#">SCE-2424PC</a>	25.40	26.68	11.41	IS6

Sub-Panel (F2)

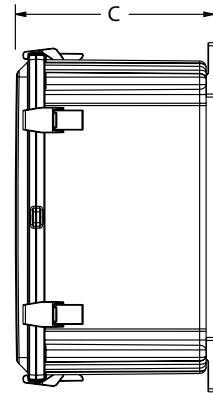
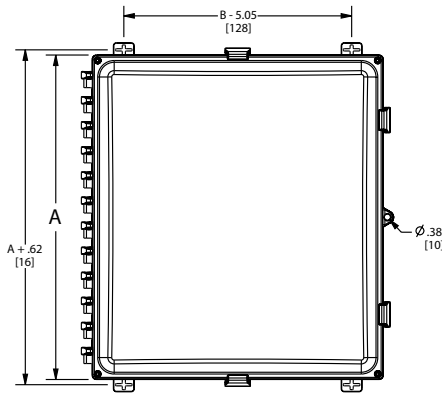
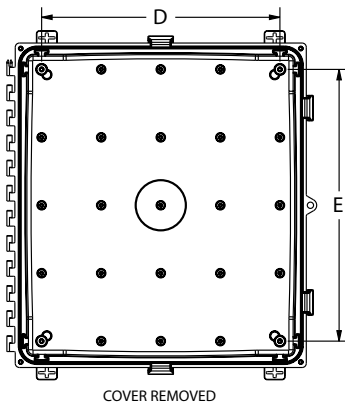
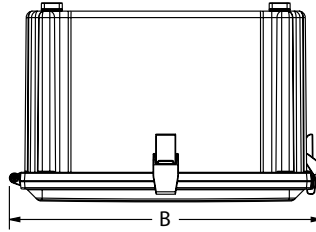
Catalog No.	Material	Panel Height (D)	Panel Width (E)
<a href="#">SCE-6P6</a>	White Powder Coated Steel	5.00	5.00
<a href="#">SCE-6P6AL</a>	Aluminum	5.00	5.00
<a href="#">SCE-8P6</a>	White Powder Coated Steel	7.00	5.00
<a href="#">SCE-8P6AL</a>	Aluminum	7.00	5.00
<a href="#">SCE-10P8</a>	White Powder Coated Steel	9.00	7.00
<a href="#">SCE-10P8AL</a>	Aluminum	9.00	7.00
<a href="#">SCE-12P10</a>	White Powder Coated Steel	11.00	9.00
<a href="#">SCE-12P10AL</a>	Aluminum	11.00	9.00
<a href="#">SCE-14P12</a>	White Powder Coated Steel	13.00	11.00
<a href="#">SCE-14P12AL</a>	Aluminum	13.00	11.00
<a href="#">SCE-16P14</a>	White Powder Coated Steel	15.00	13.00
<a href="#">SCE-16P14AL</a>	Aluminum	15.00	13.00
<a href="#">SCE-18P16PC</a>	White Powder Coated Steel	16.88	14.88
<a href="#">SCE-18P16AL</a>	Aluminum	16.88	14.88
<a href="#">SCE-24P24PC</a>	White Powder Coated Steel	22.75	22.75
<a href="#">SCE-24P24PCAL</a>	Aluminum	22.75	22.75

# POLYCARBONATE ENCLOSURES

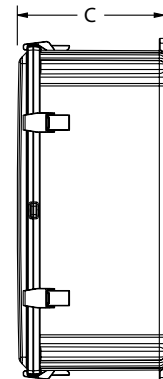
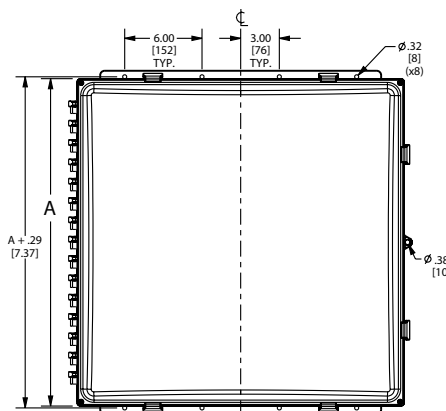
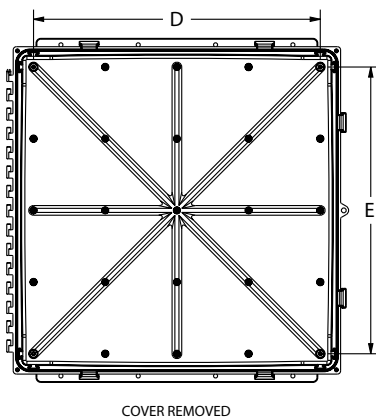
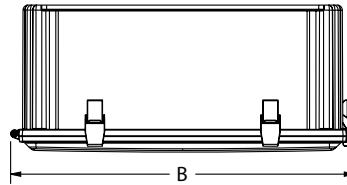
## TECHNICAL DATA

LATCHING NOTES:  
ENCLOSURES < 10.00 [254] IN HEIGHT REQUIRE  
ONE LATCH CENTERED IN THE DOOR VERTICALLY.

OMIT CENTER LATCH TOP AND BOTTOM OF DOOR  
WHEN WIDTH < 16.00 [406].



### SCE-2424PC



## Application

Designed for indoor or outdoor use to house electrical and electronic controls, instruments and components in areas that may be regularly hosed down or are in very wet conditions. Non-corrosive, UV resistant polycarbonate enclosure with clear covers. Provides protection from dust, dirt, oil and water. For installation information, consult our installation manual at [www.saginawcontrol.com](http://www.saginawcontrol.com).

## Construction

- Impact Resistant Polycarbonate.
- Clear cover.
- Brass inserts for securing mounting feet.
- Polycarbonate external mounting feet included.
- Pour in place oil and water resistant gasket.
- Polycarbonate quick release latches.
- Polycarbonate hinges.
- Polycarbonate hasp and staple for padlocking.
- 10-32 standoffs provided for mounting optional panels.
- Multiple bosses for easy installation of devices and DIN rails.

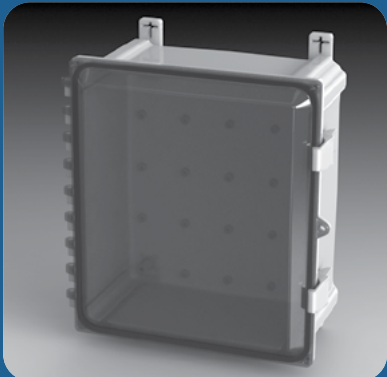
## Finish

RAL 7035 Light Gray Polycarbonate

## IS6 Industry Standards

NEMA Type 3R, 4, 4X, 12 & Type 13  
 UL Listed Type 3R, 4, 4X & 12  
 CSA Type 3R, 4, 4X & 12  
 IEC 60529 IP66

\*\*\*To maintain Type 3R listing, drainage is required. Install equally rated drainage device or drill a 1/8 to 1/4 inch hole in the bottom center of the enclosure, approximately 1 inch from the right, and 1 inch from the left for drainage, use listed rain-tight or wet location hubs. Drip shield over the door is recommended for all outdoor applications.



334

Enclosure Product Code F1

Catalog No.	Height (A)	Width (B)	Depth (C)	Industry Standard
<a href="#">SCE-606PCW</a>	7.41	8.68	5.84	IS6
<a href="#">SCE-806PCW</a>	9.41	8.68	5.86	IS6
<a href="#">SCE-808PCW</a>	9.41	9.41	5.86	IS6
<a href="#">SCE-1008PCW</a>	11.41	10.68	6.36	IS6
<a href="#">SCE-10086PCW</a>	11.41	9.41	7.39	IS6
<a href="#">SCE-1010PCW</a>	11.41	11.41	6.47	IS6
<a href="#">SCE-1210PCW</a>	13.40	12.68	7.86	IS6
<a href="#">SCE-1412PCW</a>	15.40	14.68	7.86	IS6
<a href="#">SCE-1614PCW</a>	17.65	16.68	9.98	IS6
<a href="#">SCE-1816PCW</a>	19.41	18.68	11.90	IS6
<a href="#">SCE-18164PCW</a>	19.41	17.41	5.41	IS6
<a href="#">SCE-2424PCW</a>	25.40	26.68	11.41	IS6

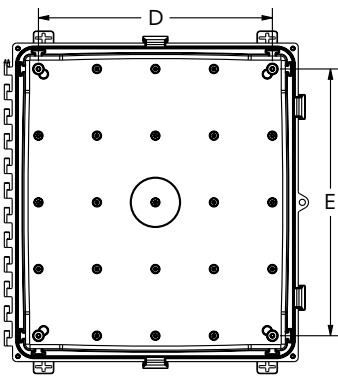
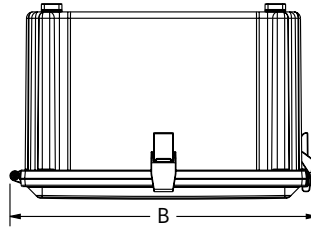
Sub-Panel (F2)

Catalog No.	Material	Panel Height (D)	Panel Width (E)
<a href="#">SCE-6P6</a>	White Powder Coated Steel	5.00	5.00
<a href="#">SCE-6P6AL</a>	Aluminum	5.00	5.00
<a href="#">SCE-8P6</a>	White Powder Coated Steel	7.00	5.00
<a href="#">SCE-8P6AL</a>	Aluminum	7.00	5.00
<a href="#">SCE-10P8</a>	White Powder Coated Steel	9.00	7.00
<a href="#">SCE-10P8AL</a>	Aluminum	9.00	7.00
<a href="#">SCE-12P10</a>	White Powder Coated Steel	11.00	9.00
<a href="#">SCE-12P10AL</a>	Aluminum	11.00	9.00
<a href="#">SCE-14P12</a>	White Powder Coated Steel	13.00	11.00
<a href="#">SCE-14P12AL</a>	Aluminum	13.00	11.00
<a href="#">SCE-16P14</a>	White Powder Coated Steel	15.00	13.00
<a href="#">SCE-16P14AL</a>	Aluminum	15.00	13.00
<a href="#">SCE-18P16PC</a>	White Powder Coated Steel	16.88	14.88
<a href="#">SCE-18P16AL</a>	Aluminum	16.88	14.88
<a href="#">SCE-24P24PC</a>	White Powder Coated Steel	22.75	22.75
<a href="#">SCE-24P24PCAL</a>	Aluminum	22.75	22.75

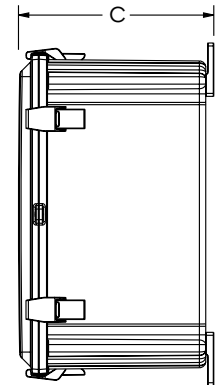
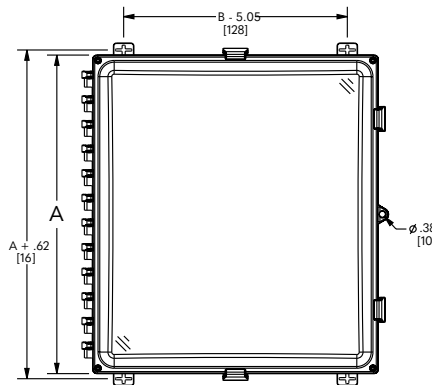
# POLYCARBONATE ENCLOSURES WITH WINDOW

## TECHNICAL DATA

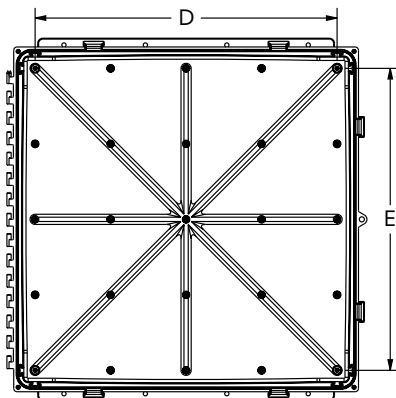
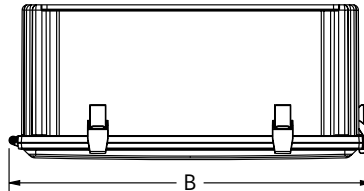
LATCHING NOTES:  
ENCLOSURES < 10.00 [254] IN HEIGHT REQUIRE ONE LATCH CENTERED IN THE DOOR VERTICALLY.  
OMIT CENTER LATCH TOP AND BOTTOM OF DOOR WHEN WIDTH < 16.00 [406].



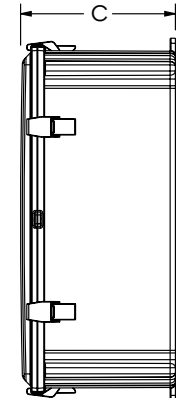
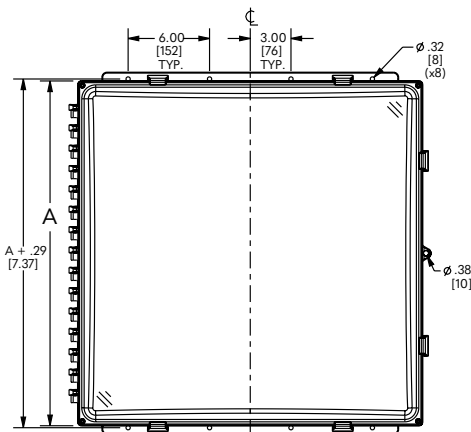
COVER REMOVED



### SCE-2424PCW



COVER REMOVED



# POLYCARBONATE SCREW COVER ENCLOSURES

## Application

Designed for indoor or outdoor use to house electrical and electronic controls, instruments and components in areas that may be regularly hosed down or are in very wet conditions. Non-corrosive, UV resistant polycarbonate enclosure with opaque covers. Provides protection from dust, dirt, oil and water.

## Construction

- Impact Resistant Polycarbonate.
- Opaque cover.
- Brass inserts for securing mounting feet.
- Oil and water resistant Pour in Place gasket.
- Screw cover
- 10-32 standoffs provided for mounting optional panels.
- Multiple bosses for easy installation of devices and DIN rails.

## Finish

RAL 7035 Light Gray Polycarbonate

## IS6 Industry Standards

NEMA Type 3R, 4, 4X, 12 & Type 13

UL Listed Type 3R, 4, 4X & 12

CSA Type 3R, 4, 4X & 12

IEC 60529 IP66

\*\*\*To maintain Type 3R listing, drainage is required. Install equally rated drainage device or drill a 1/8 to 1/4 inch hole in the bottom center of the enclosure, approximately 1 inch from the right, and 1 inch from the left for drainage, use listed rain-tight or wet location hubs. Drip shield over the door is recommended for all outdoor applications.

Enclosure Product Code F1

Catalog No.	Height (A)	Width (B)	Depth (C)	Mounting (G)	Mounting (H)	Industry Standard
<a href="#">SCE-43PCSC</a>	4.34	3.16	2.76	3.62	2.44	IS6
<a href="#">SCE-53PCSC</a>	5.12	3.16	3.51	4.40	2.44	IS6

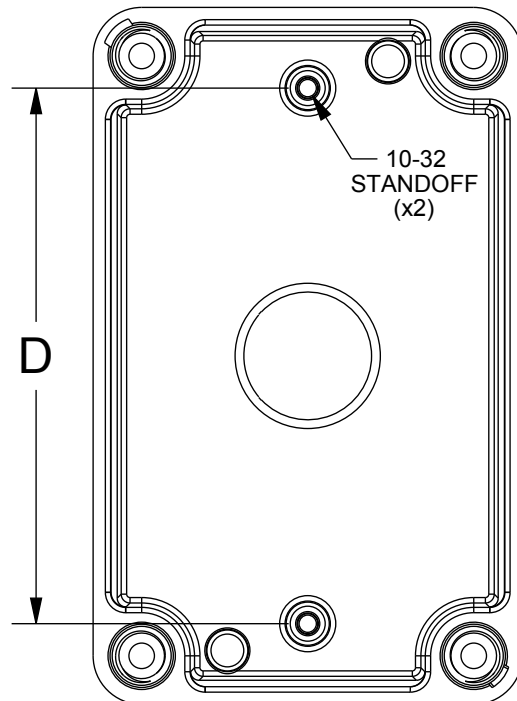
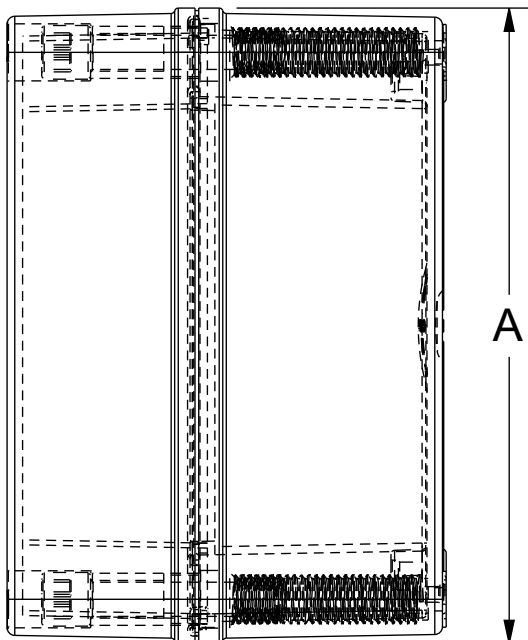
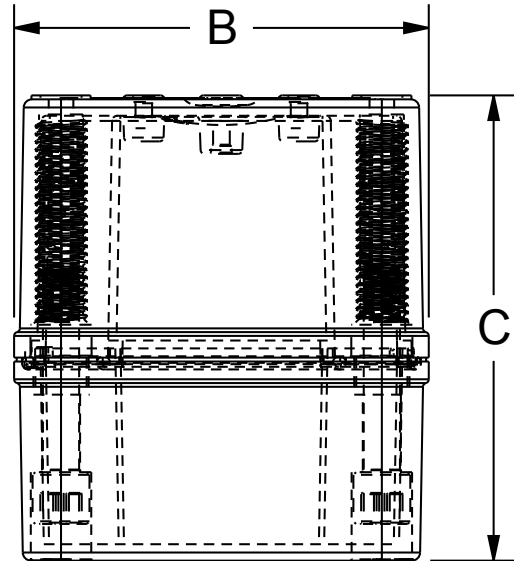
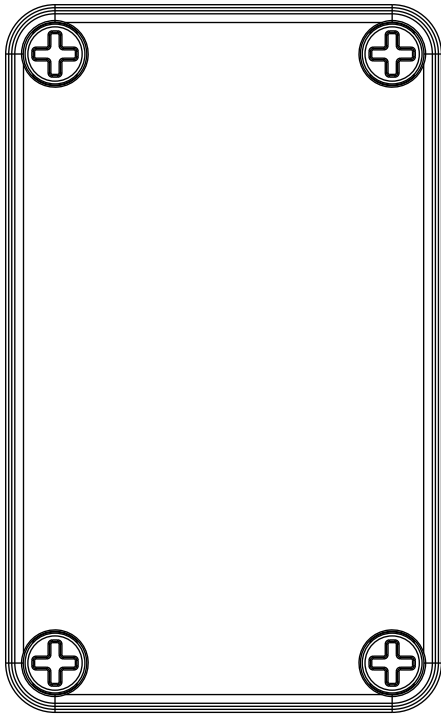


336



# POLYCARBONATE SCREW COVER ENCLOSURES

## TECHNICAL DATA



# POLYCARBONATE PUSHBUTTON ENCLOSURES

## Application

Designed for indoor or outdoor use to house electrical and electronic controls, instruments and components in areas that may be regularly hosed down or are in very wet conditions. Non-corrosive, UV resistant polycarbonate enclosure with opaque covers. Provides protection from dust, dirt, oil and water.

## Construction

- Impact Resistant Polycarbonate
- Opaque cover.
- Polycarbonate external mounting feet included.
- Oil and water resistant pour in place gasket

## Finish

RAL 7035 Light Gray Polycarbonate

## IS6 Industry Standards

NEMA Type 3R, 4, 4X, 12 & Type 13  
 UL Listed Type 3R, 4, 4X & 12  
 CSA Type 3R, 4, 4X & 12  
 IEC 60529 IP66



Enclosure Product Code F1

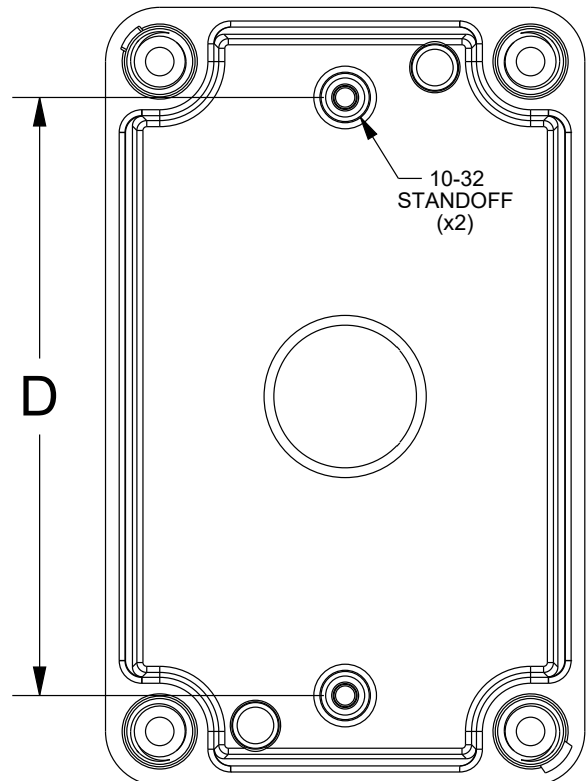
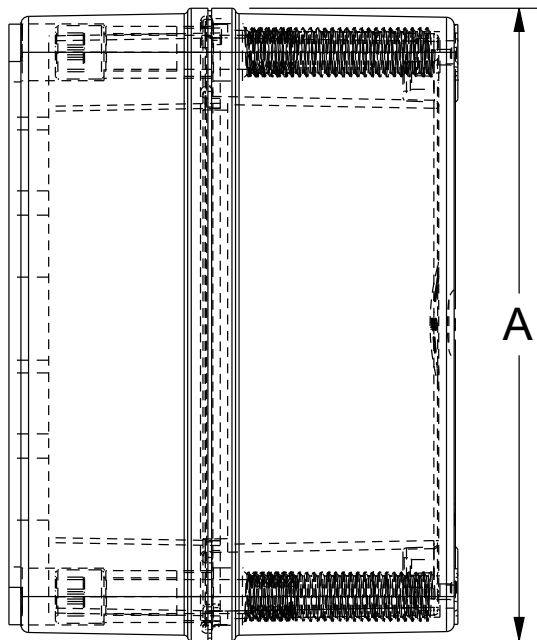
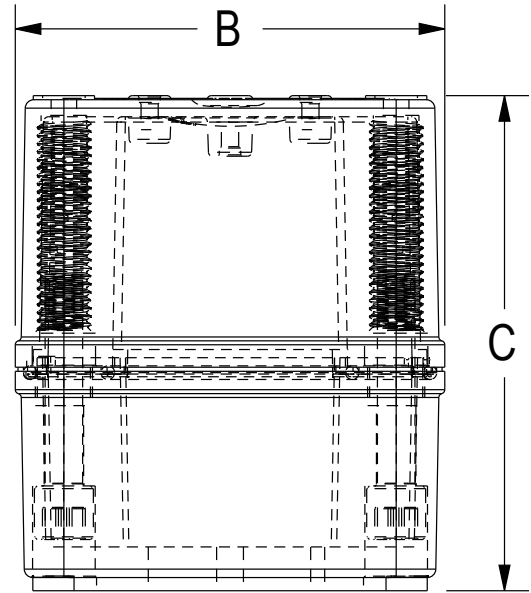
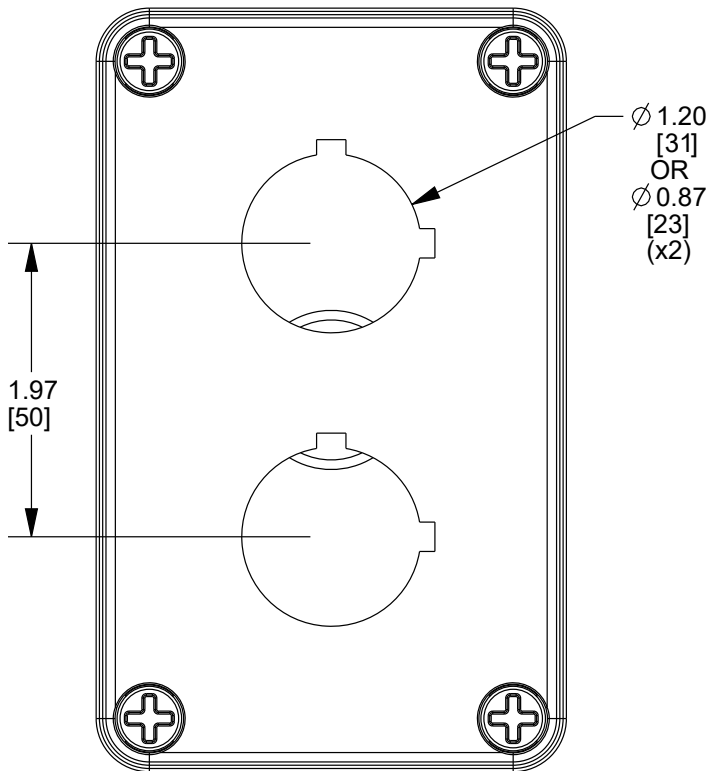
Catalog No.	Height (A)	Width (B)	Depth (C)	Mounting (G)	Mounting (H)	Internal Standoff	Industry Standard
<a href="#">SCE-1PBPC</a>	4.34	3.16	2.76	3.62	2.44	3.11	IS6
<a href="#">SCE-2PBPC</a>	5.12	3.16	3.51	4.40	2.44	3.11	IS6

Enclosure Product Code F1

Catalog No.	Height (A)	Width (B)	Depth (C)	Mounting (G)	Mounting (H)	Internal Standoff	Industry Standard
<a href="#">SCE-1PBPCl</a>	4.34	3.16	2.76	3.62	2.44	3.11	IS6
<a href="#">SCE-2PBPCl</a>	5.12	3.16	3.51	4.40	2.44	3.11	IS6

# POLYCARBONATE PUSHBUTTON ENCLOSURES

## TECHNICAL DATA



# FIBERGLASS PUSHBUTTON ENCLOSURES

## Application

Designed for indoor or outdoor use to house pushbuttons, switches, and pilot lights in areas that may be regularly hosed down, are in very wet conditions, or are exposed to corrosive agents. Provides protection from dust, dirt, oil and water.

## Construction

- Fiberglass reinforced compression molded polyester.
- Pour in place oil and water resistant gasket.
- Hole diameter is 1.20" (30.5 mm).

## Finish

Light gray fiberglass

Enclosure Product Code F1

Catalog No.	Height (A)	Width (B)	Depth (C)	Mounting (G)	Mounting (H)	Industry Standard
<a href="#">SCE-1PBFG</a>	6.63	3.81	3.88	4.88	2.94	IS6
<a href="#">SCE-2PBFG</a>	6.63	3.81	3.88	4.88	2.94	IS6
<a href="#">SCE-3PBFG</a>	8.88	3.81	3.88	7.13	2.94	IS6

## IS6 Industry Standards

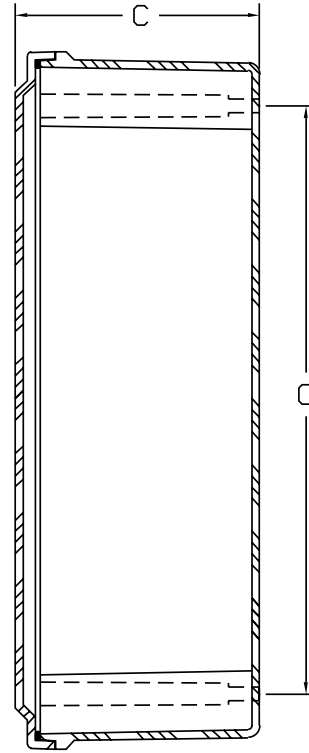
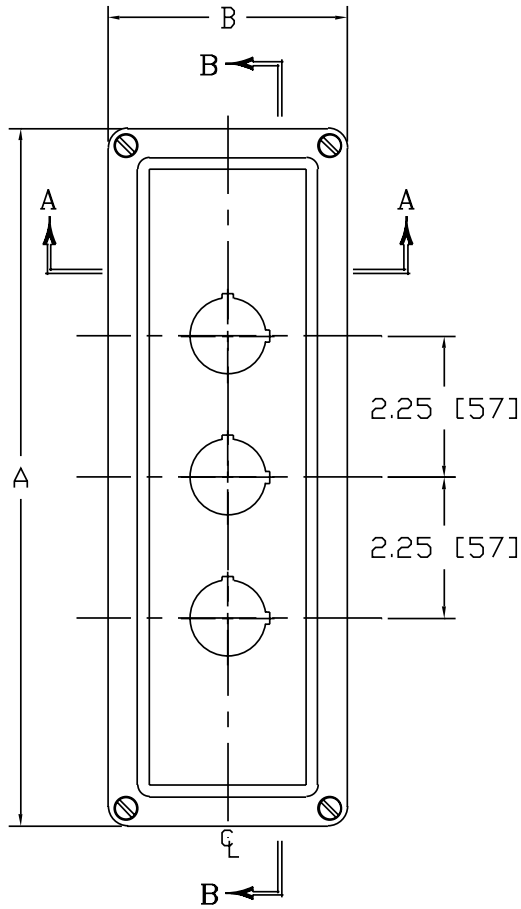
NEMA Type 3R, 4, 4X, 12 & Type 13  
 UL Listed Type 3R, 4, 4X & 12  
 CSA Type 3R, 4, 4X & 12  
 IEC 60529 IP66



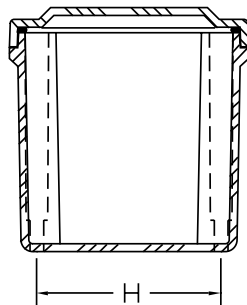
340

# FIBERGLASS PUSHBUTTON ENCLOSURES

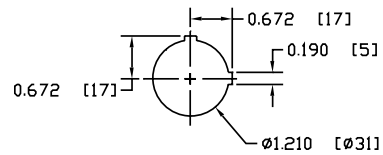
## TECHNICAL DATA



SECTION B-B



SECTION A-A



DETAIL A

# FIBERGLASS HINGED SCREW COVER JUNCTION ENCLOSURES

## Application

Designed for indoor or outdoor use to house electronic controls, instruments and components in areas that may be regularly hosed down, are in very wet conditions, or are exposed to corrosive agents. Provides protection from dust, dirt, oil and water.

## Construction

- Fiberglass reinforced compression molded polyester.
- Pour in place oil and water resistant gasket.
- Mounting strips molded in.
- Captive screw fasteners.
- Integral panel mounting inserts.
- Stainless steel continuous hinge.

## Finish

Light gray fiberglass. optional sub-panels are marine grade aluminum.

## IS6 Industry Standards

NEMA Type 3R, 4, 4X, 12 & Type 13  
 UL Listed Type 3R, 4, 4X & 12  
 CSA Type 3R, 4, 4X & 12  
 IEC 60529 IP66



342

Enclosure Product Code F1

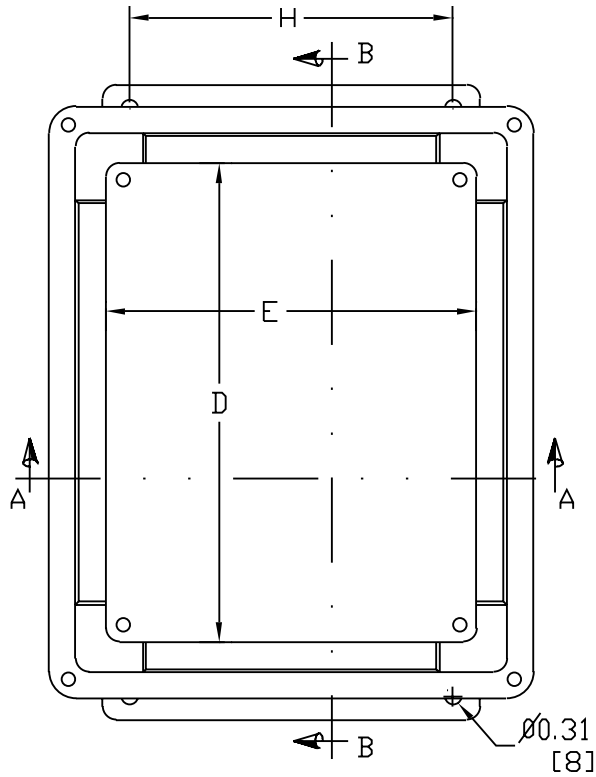
Catalog No.	Height (A)	Width (B)	Depth (C)	Mounting (G)	Mounting (H)	Interior (J)	Interior (K)	Interior (L)	Industry Standard
<a href="#">SCE-604FG</a>	7.39	5.45	4.75	6.75	2.00	5.84	3.85	4.00	IS6
<a href="#">SCE-606FG</a>	7.53	7.53	4.75	6.75	4.00	5.72	5.72	4.00	IS6
<a href="#">SCE-806FG</a>	9.56	7.52	4.75	8.88	4.00	7.73	5.74	4.00	IS6
<a href="#">SCE-808FG</a>	9.38	9.38	4.88	8.75	6.00	7.73	7.73	4.06	IS6
<a href="#">SCE-1008FG</a>	11.35	9.41	4.25	10.75	6.00	9.73	7.73	3.50	IS6
<a href="#">SCE-10086FG</a>	11.38	9.38	5.08	10.75	6.00	9.73	7.73	4.37	IS6
<a href="#">SCE-1210FG</a>	13.41	11.43	5.21	12.75	8.00	11.79	9.80	4.50	IS6
<a href="#">SCE-1212FG</a>	13.38	13.38	6.35	12.75	10.00	11.70	11.70	5.53	IS6
<a href="#">SCE-1407FG</a>	15.75	8.75	6.81	15.00	5.00	14.00	7.00	6.12	IS6
<a href="#">SCE-1412FG</a>	15.48	13.48	6.21	14.62	10.00	13.53	11.55	5.37	IS6
<a href="#">SCE-1614FG</a>	17.47	15.46	6.23	16.75	12.00	15.63	13.60	5.36	IS6
<a href="#">SCE-1816FG</a>	19.61	17.61	8.82	18.88	12.00	17.69	15.69	7.99	IS6
<a href="#">SCE-2016FG</a>	21.68	17.69	8.84	21.25	10.00	19.72	15.72	8.00	IS6

Sub-Panel (F2)

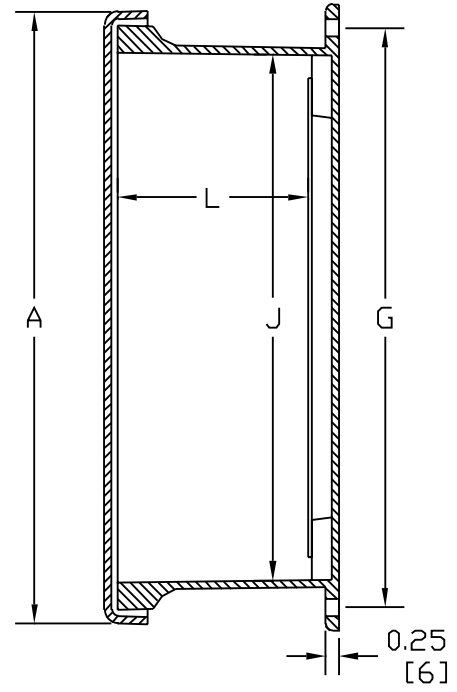
Catalog No.	Material	Panel Height (D)	Panel Width (E)
<a href="#">SCE-6P4AL</a>	Aluminum	5.00	3.00
<a href="#">SCE-6P6AL</a>	Aluminum	5.00	5.00
<a href="#">SCE-8P6AL</a>	Aluminum	7.00	5.00
<a href="#">SCE-8P8AL</a>	Aluminum	7.00	7.00
<a href="#">SCE-10P8AL</a>	Aluminum	9.00	7.00
<a href="#">SCE-12P10AL</a>	Aluminum	11.00	9.00
<a href="#">SCE-12P12AL</a>	Aluminum	11.00	11.00
<a href="#">SCE-14P8AL</a>	Aluminum	13.00	7.00
<a href="#">SCE-14P12AL</a>	Aluminum	13.00	11.00
<a href="#">SCE-16P14AL</a>	Aluminum	15.00	13.00
<a href="#">SCE-18P16AL</a>	Aluminum	16.88	14.88
<a href="#">SCE-20PJ16AL</a>	Aluminum	18.88	14.88

# FIBERGLASS HINGED SCREW COVER JUNCTION ENCLOSURES

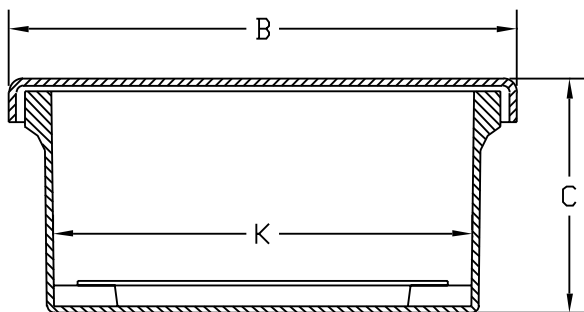
## TECHNICAL DATA



FRONT VIEW WITH  
COVER REMOVED



SECTION B-B



SECTION A-A

# FIBERGLASS JUNCTION ENCLOSURES

## Application

Designed for indoor or outdoor use to house electronic controls, instruments and components in areas that may be regularly hosed down, are in very wet conditions, or are exposed to corrosive agents. Provides protection from dust, dirt, oil and water.

## Construction

- Fiberglass reinforced compression molded polyester.
- Pour in place oil and water resistant gasket.
- Mounting strips molded in.
- Captive screw fasteners.
- Integral panel mounting inserts.
- Stainless steel continuous hinge.

## Finish

Light gray fiberglass. optional sub-panels are marine grade aluminum.

## IS6 Industry Standards

NEMA Type 3R, 4, 4X, 12 & Type 13  
 UL Listed Type 3R, 4, 4X & 12  
 CSA Type 3R, 4, 4X & 12  
 IEC 60529 IP66

\*\*\*To maintain Type 3R listing, drainage is required. Install equally rated drainage device or drill a 1/8 to 1/4 inch hole in the bottom center of the enclosure, approximately 1 inch from the right, and 1 inch from the left for drainage, use listed rain-tight or wet location hubs. Drip shield over the door is recommended for all outdoor applications.



Enclosure Product Code F1

Catalog No.	Height (A)	Width (B)	Depth (C)	Mounting (G)	Mounting (H)	Interior (J)	Interior (K)	Interior (L)	Industry Standard
<a href="#">SCE-6045CHORFG</a>	7.39	5.43	4.73	6.75	2.00	5.84	3.85	4.00	IS6
<a href="#">SCE-6065CHORFG</a>	7.53	7.53	4.72	6.75	4.00	5.72	5.72	4.00	IS6
<a href="#">SCE-8065CHORFG</a>	9.52	7.52	4.71	8.88	4.00	7.73	5.74	4.00	IS6
<a href="#">SCE-808CHORFG</a>	9.38	9.38	4.88	8.75	6.00	7.73	7.73	4.06	IS6
<a href="#">SCE-10085CHORFG</a>	11.35	9.41	4.25	10.75	6.00	9.73	7.73	3.50	IS6
<a href="#">SCE-12105CHORFG</a>	13.41	11.43	5.21	12.75	8.00	11.79	9.80	4.50	IS6
<a href="#">SCE-1212CHORFG</a>	13.38	13.38	6.34	12.75	10.00	11.70	11.70	5.53	IS6
<a href="#">SCE-14087CHORFG</a>	15.75	8.75	6.81	15.00	5.00	14.00	7.00	6.12	IS6
<a href="#">SCE-14127CHORFG</a>	15.48	13.48	6.21	14.62	10.00	13.53	11.55	5.37	IS6
<a href="#">SCE-16147CHORFG</a>	17.46	15.46	6.23	16.75	12.00	15.63	13.60	5.36	IS6
<a href="#">SCE-18169CHORFG</a>	19.61	17.61	8.82	18.88	12.00	17.69	15.69	7.99	IS6
<a href="#">SCE-2016CHORFG</a>	21.68	17.68	8.84	21.25	10.00	19.72	15.72	8.00	IS6
<a href="#">SCE-202011CHORFG</a>	22.10	22.12	11.71	21.87	18.30	19.88	19.88	10.57	IS6
<a href="#">SCE-242011CHORFG</a>	26.12	22.12	11.71	25.87	13.30	23.88	19.88	10.58	IS6
<a href="#">SCE-242411CHORFG</a>	26.12	26.12	11.71	25.87	22.00	23.88	23.88	10.56	IS6
<a href="#">SCE-243012CHORFG</a>	26.19	32.19	12.29	20.49	31.93	23.60	29.85	11.01	IS6
<a href="#">SCE-302412CHORFG</a>	32.19	26.19	12.29	31.93	20.49	29.85	23.85	11.05	IS6

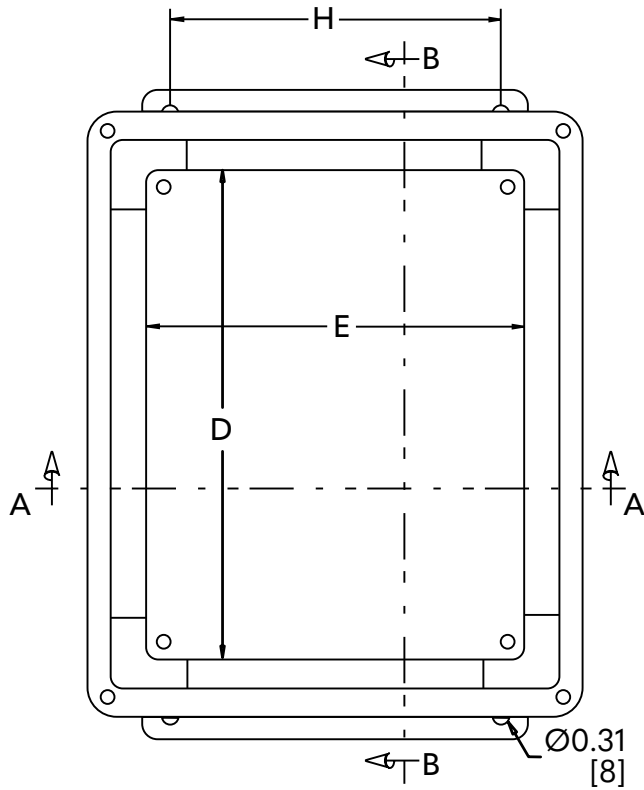
Sub-Panel (F2)

Catalog No.	Material	Panel Height (D)	Panel Width (E)
<a href="#">SCE-6P4AL</a>	Aluminum	5.00	3.00
<a href="#">SCE-6P6AL</a>	Aluminum	5.00	5.00
<a href="#">SCE-8P6AL</a>	Aluminum	7.00	5.00
<a href="#">SCE-8P8AL</a>	Aluminum	7.00	7.00
<a href="#">SCE-10P8AL</a>	Aluminum	9.00	7.00
<a href="#">SCE-12P10AL</a>	Aluminum	11.00	9.00
<a href="#">SCE-12P12AL</a>	Aluminum	11.00	11.00
<a href="#">SCE-14P8AL</a>	Aluminum	13.00	7.00
<a href="#">SCE-14P12AL</a>	Aluminum	13.00	11.00
<a href="#">SCE-16P14AL</a>	Aluminum	15.00	13.00
<a href="#">SCE-18P16AL</a>	Aluminum	16.88	14.88
<a href="#">SCE-20PJ16AL</a>	Aluminum	18.88	14.88
<a href="#">SCE-20PFG20AL</a>	Aluminum	18.00	18.00
<a href="#">SCE-24PFG20AL</a>	Aluminum	22.00	18.00
<a href="#">SCE-24PFG24AL</a>	Aluminum	22.00	22.00
<a href="#">SCE-30P30AL</a>	Aluminum	27.00	27.00
<a href="#">SCE-36P24AL</a>	Aluminum	33.00	21.00

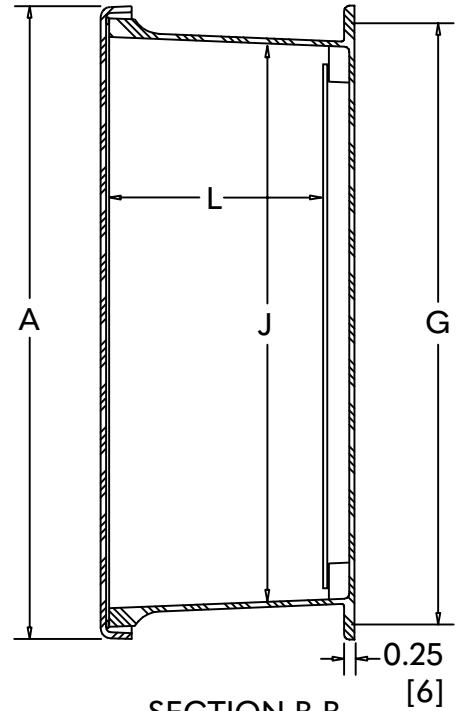


# FIBERGLASS JUNCTION ENCLOSURES

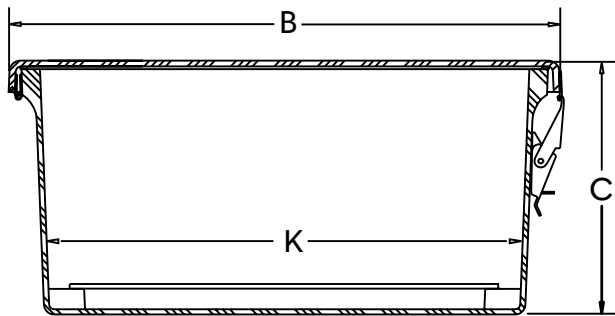
## TECHNICAL DATA



FRONT VIEW WITH COVER REMOVED



SECTION B-B



SECTION A-A

## Application

Designed for indoor or outdoor use to house electronic controls, instruments and components in areas that may be regularly hosed down, are in very wet conditions, or are exposed to corrosive agents and require unrestricted viewing of gauges or controls. Provides protection from dust, dirt, oil and water.

## Construction

- Fiberglass reinforced compression molded polyester.
- Pour in place oil and water resistant gasket.
- Mounting strips molded in.
- Quick release padlock latch.
- Integral panel mounting inserts.
- Stainless steel continuous hinge.
- UVA acrylic bonded polycarbonate window.

## Finish

Light gray fiberglass. optional sub-panels are marine grade aluminum.

## IS6 Industry Standards

NEMA Type 3R, 4, 4X, 12 & Type 13  
 UL Listed Type 3R, 4, 4X & 12  
 CSA Type 3R, 4, 4X & 12  
 IEC 60529 IP66



346

Enclosure Product Code F1

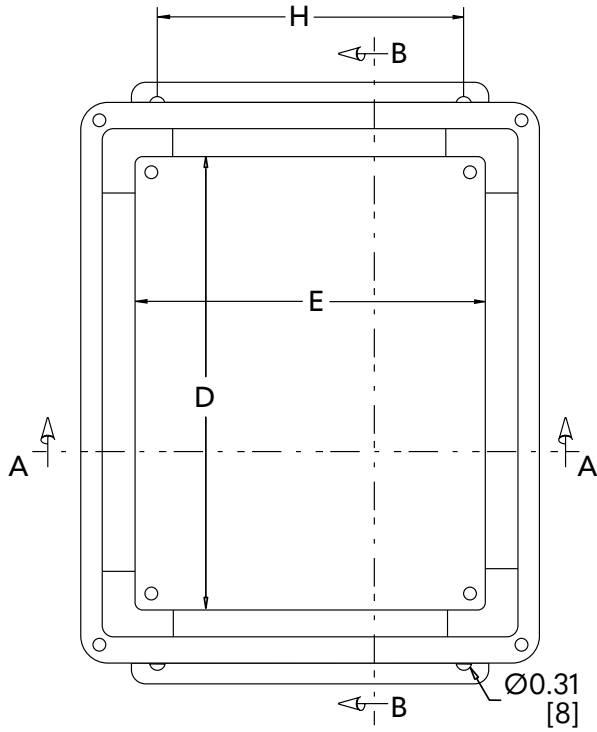
Catalog No.	Height (A)	Width (B)	Depth (C)	Mounting (G)	Interior (H)	Interior (J)	Interior (K)	Interior (L)	Industry Standard
<a href="#">SCE-604FW</a>	7.39	5.45	4.73	6.75	2.00	5.84	3.85	4.00	IS6
<a href="#">SCE-606FW</a>	7.53	7.53	4.72	6.75	4.00	5.72	5.72	4.00	IS6
<a href="#">SCE-806FW</a>	9.52	7.52	4.71	8.88	4.00	7.73	5.74	4.00	IS6
<a href="#">SCE-808FW</a>	9.38	9.38	4.88	8.75	6.00	7.73	7.73	4.06	IS6
<a href="#">SCE-1008FW</a>	11.35	9.41	4.25	10.75	6.00	9.73	7.73	3.50	IS6
<a href="#">SCE-10086FW</a>	11.38	9.37	5.08	10.75	6.00	9.73	7.73	4.37	IS6
<a href="#">SCE-1210FW</a>	13.41	11.43	5.21	12.75	8.00	11.79	9.80	4.50	IS6
<a href="#">SCE-1212FW</a>	13.38	13.38	6.34	12.75	10.00	11.70	11.70	5.53	IS6
<a href="#">SCE-1407FW</a>	15.75	8.75	6.81	15.00	5.00	14.00	7.00	6.12	IS6
<a href="#">SCE-1412FW</a>	15.48	13.48	6.21	14.62	10.00	13.53	11.55	5.37	IS6
<a href="#">SCE-1614FW</a>	17.47	15.46	6.23	16.75	12.00	15.63	13.60	5.36	IS6
<a href="#">SCE-1816FW</a>	19.61	17.61	8.82	18.88	12.00	17.69	15.69	7.99	IS6
<a href="#">SCE-2016FW</a>	21.68	17.68	8.81	21.25	10.00	19.72	15.72	8.00	IS6

Sub-Panel (F2)

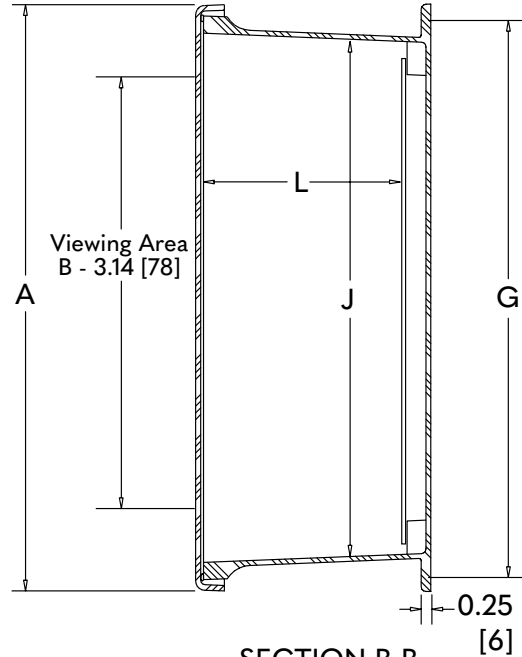
Catalog No.	Material	Panel Height (D)	Panel Width (E)
<a href="#">SCE-6P4AL</a>	Aluminum	5.00	3.00
<a href="#">SCE-6P6AL</a>	Aluminum	5.00	5.00
<a href="#">SCE-8P6AL</a>	Aluminum	7.00	5.00
<a href="#">SCE-8P8AL</a>	Aluminum	7.00	7.00
<a href="#">SCE-10P8AL</a>	Aluminum	9.00	7.00
<a href="#">SCE-12P10AL</a>	Aluminum	11.00	9.00
<a href="#">SCE-12P12AL</a>	Aluminum	11.00	11.00
<a href="#">SCE-14P8AL</a>	Aluminum	13.00	7.00
<a href="#">SCE-14P12AL</a>	Aluminum	13.00	11.00
<a href="#">SCE-16P14AL</a>	Aluminum	15.00	13.00
<a href="#">SCE-18P16AL</a>	Aluminum	16.88	14.88
<a href="#">SCE-20PJ16AL</a>	Aluminum	18.88	14.88

# FIBERGLASS JUNCTION ENCLOSURES WITH WINDOW

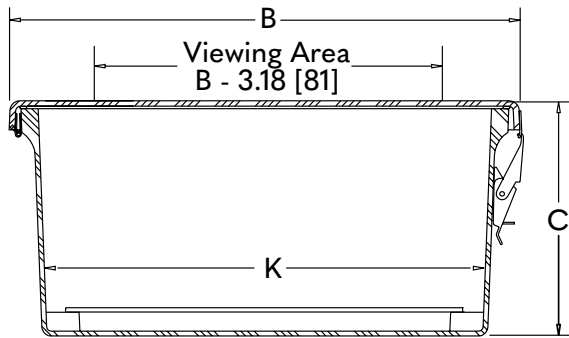
## TECHNICAL DATA



FRONT VIEW WITH COVER REMOVED



SECTION B-B



SECTION A-A

# FIBERGLASS WALL-MOUNT ENCLOSURES

## Application

Designed for indoor or outdoor use to house electrical and electronic controls, instruments and components in areas that may be regularly hosed down, are in very wet conditions, or are exposed to corrosive agents. Provides protection from dust, dirt, oil and water.

## Construction

- Fiberglass reinforced compression molded polyester.
- Pour in place oil and water resistant gasket.
- Mounting feet molded in.
- Quick release latches.
- Padlock hasp and staple.
- Integral panel mounting inserts.
- Stainless steel continuous hinge.

## Finish

Light gray fiberglass. Optional sub-panels are marine grade aluminum.

## IS6 Industry Standards

NEMA Type 3R, 4, 4X, 12 & Type 13  
 UL Listed Type 3R, 4, 4X & 12  
 CSA Type 3R, 4, 4X & 12  
 IEC 60529 IP66



348

Enclosure Product Code F1

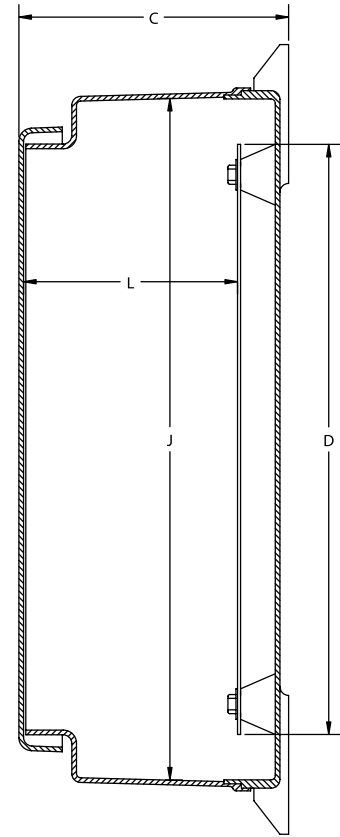
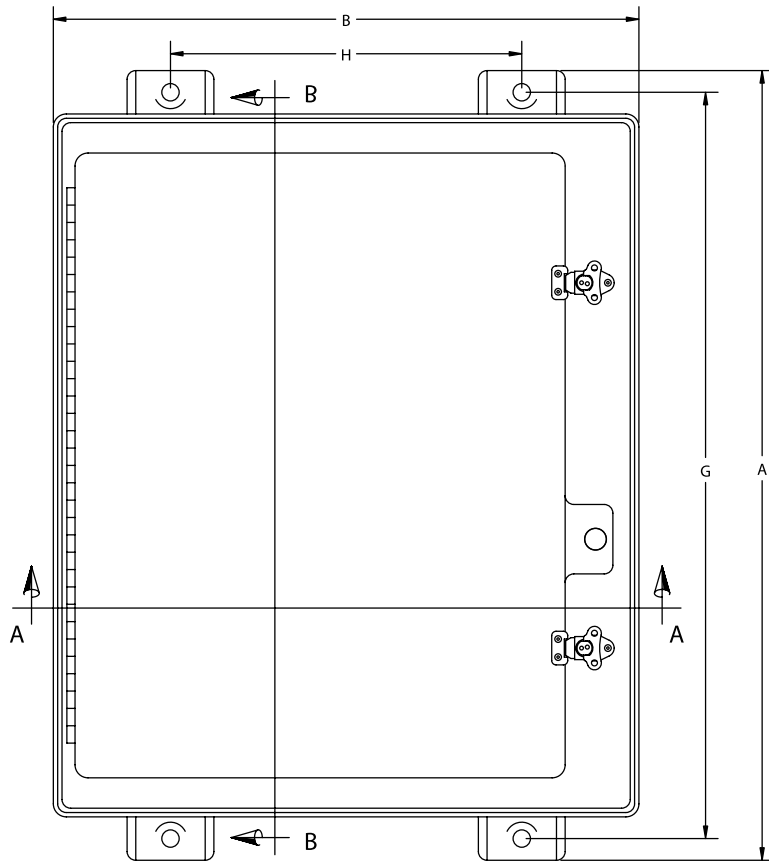
Catalog No.	Height (A)	Width (B)	Depth (C)	Mounting (G)	Interior (H)	Interior (J)	Interior (K)	Interior (L)	Industry Standard
<a href="#">SCE-16H1009QFGLP</a>	18.75	10.96	9.03	17.50	7.00	15.92	10.27	7.80	IS6
<a href="#">SCE-20H1608QFGLP</a>	22.75	16.87	7.77	21.50	10.12	19.70	16.04	6.26	IS6
<a href="#">SCE-20H1610QFGLP</a>	22.75	16.87	9.77	21.50	10.12	19.70	16.04	8.26	IS6
<a href="#">SCE-20H1612QFGLP</a>	22.75	16.87	11.77	21.50	10.12	19.70	16.04	10.26	IS6
<a href="#">SCE-24H2010QFGLP</a>	27.00	21.24	9.90	25.75	14.00	24.05	20.39	8.25	IS6
<a href="#">SCE-30H2010QFGLP</a>	32.84	21.00	9.88	31.75	14.25	29.90	20.14	8.23	IS6
<a href="#">SCE-30H2409QFGLP</a>	33.41	26.00	8.81	32.25	18.50	30.46	25.47	7.12	IS6
<a href="#">SCE-30H2412QFGLP</a>	33.41	26.32	11.95	32.25	18.50	30.46	25.47	10.27	IS6
<a href="#">SCE-30H2414QFGLP</a>	33.41	26.28	13.79	32.25	18.50	30.46	25.47	12.10	IS6
<a href="#">SCE-36H3010QFGLP</a>	39.31	32.50	10.02	38.13	23.88	36.31	31.69	8.36	IS6
<a href="#">SCE-36H3012QFGLP</a>	39.31	32.50	12.05	38.13	23.88	36.31	31.69	10.36	IS6
<a href="#">SCE-36H3014QFGLP</a>	39.31	32.50	14.06	38.13	23.88	36.31	31.69	12.36	IS6

Sub-Panel (F2)

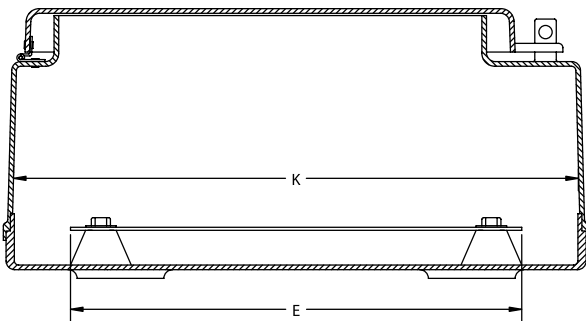
Catalog No.	Material	Panel Height (D)	Panel Width (E)
<a href="#">SCE-16P10AL</a>	Aluminum	13.00	8.50
<a href="#">SCE-20P16AL</a>	Aluminum	17.00	13.00
<a href="#">SCE-24P20AL</a>	Aluminum	21.00	17.00
<a href="#">SCE-30P20AL</a>	Aluminum	27.00	17.00
<a href="#">SCE-30P24AL</a>	Aluminum	27.00	21.00
<a href="#">SCE-36P30AL</a>	Aluminum	33.00	27.00

# FIBERGLASS WALL-MOUNT ENCLOSURES

## TECHNICAL DATA



SECTION B-B



SECTION A-A



*Your Enclosure Source*®

# NOTES



*Your Enclosure Source*®

# NOTES

# ACCESSORIES

354-403

- Air Conditioners & Heat Exchangers
- Thermostats
- Louver & Filter Kits
- Fan & Grille Kits
- Type 12 Fan / Filter Packages
- Type 3R Fan / Filter Packages
- Blower Packages
- Breather Vent
- Rain hoods
- Cooling Fans
- Fan/Heater with Thermostats
- Touch Safe Heaters

404-407

- Quarter Turn Latches
- SCE Door Handles
- Stainless Steel L-Handle
- Flush Swing Handles
- Three-Point Door Rod Kits
- Clamps
- Pull Handles

408-409

410-418

- Grounding Bars & Straps
- Door Stop Kit
- Removable Wire Covers
- Keyboard Kit
- Pullout Keyboard Drawers
- Drip Shield Kits
- Folding Shelves
- Columns & Bases
- LED Light Fixtures
- LED Strip Lights
- Light Switch Mounting Bracket
- Mechanical Interlocks
- Electrical Interlock
- Electrical Interlock Defeater
- Disconnect Adapters
- Hole Plugs

420-431



- Mounting Straps
- Pole Mount Kit
- Lifting Lugs
- Caster Kits
- Leveling Pads
- Angle Iron Mounting Feet
- Heavy Duty Mounting Kit
- Mounting Foot Kit for Enviroline® Enclosures
- NEMA 3R Mounting Foot Kit
- Mounting Foot Kit for ELJ Enviroline® Enclosures
- Floor Stand Kit
- Skirt Kits
- EL Flush Mount Frames
- Wall-Mount Standoffs

- Sub-panels
- Filler Plates
- Individual Panel Supports
- Dead Front Panels
- Swing-Out Panel Assembly for LP Enclosures
- Swing-Out Panel Assembly for Enviroline® Enclosures
- Barrier Plates

- Exterior Print Pockets
- Print Pockets
- NEMA 4 Windows

- Hinged Window Enclosures
- Hinged Access Enclosures
- Internal Disconnect Enclosures
- External Disconnect Enclosures
- Key lock Box

- |                            |                         |
|----------------------------|-------------------------|
| • Door Gasket              | • Keys                  |
| • EMI Gasket               | • Hinges                |
| • Mechanical Defeater      | • Captive Screws        |
| • Sealing Washers          | • Bolt Packs            |
| • Channel Nuts & Clip Nuts | • Replacement Filters   |
| • Touch Up Paint           | • Replacement LED Bulbs |

# ENVIRO-THERM® THERMAL MANAGEMENT AIR CONDITIONERS

## Application

Enviro-Therm® Air Conditioners are designed with an internal closed loop system to provide protection from dust, oil and water. For indoor and outdoor application. Rugged, energy efficient, and reliable cooling system. For more details and installation information, consult our installation manual at [www.saginawcontrol.com](http://www.saginawcontrol.com).

## Construction

- Heavy gauge steel/stainless steel.
- Internal components are corrosion resistant.
- Coils are designed as filterless units, fin spacing and hydrophobic Nano coating to help reduce chance of clogging.
- Washable, Reusable 8 layer aluminum mesh filters included.
- Captive screw fastened filter cover.
- Compressor Heater.
- Enclosure Heater for low ambient temperatures.
- Easy Mounting Flange hangers for installation included.
- High temp alarm.
- High performance ball bearing fans.
- Door activated switch wiring provisions.
- Cage clamp terminal connector.
- Oil and water resistant gaskets installed.

## Electrical

- cULus Listed
- CE
- Surge protected and EMI compliant - IEC61000 and CE requirement

## Finish

Powder coated steel cover RAL 7035 River Texture over Aluzinc coated steel.  
 SS units: #4 brushed finish 304 Stainless Steel cover and frame.  
 SS6 units: #4 brushed finish 316 Stainless Steel cover.

## IS19 Industry Standards

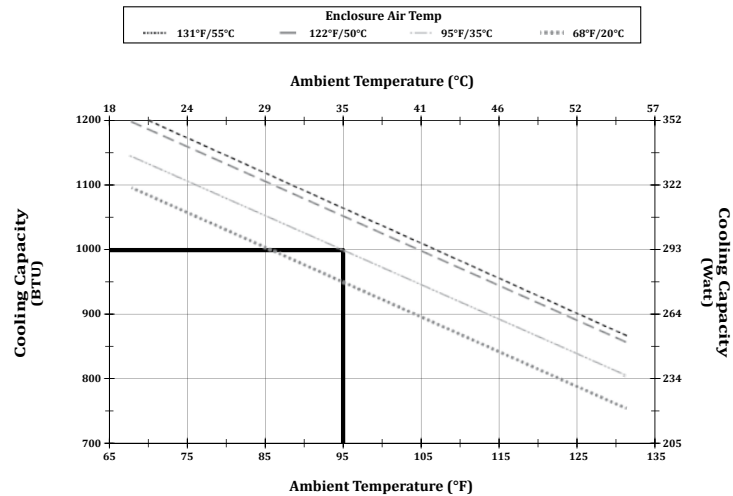
UL Recognized Type 3, 3R, 4 & 12  
 IEC 60529 IP56

## IS20 Industry Standards

UL Listed & Recognized Type 3, 3R, 4, 4X & 12  
 IEC 60529 IP56

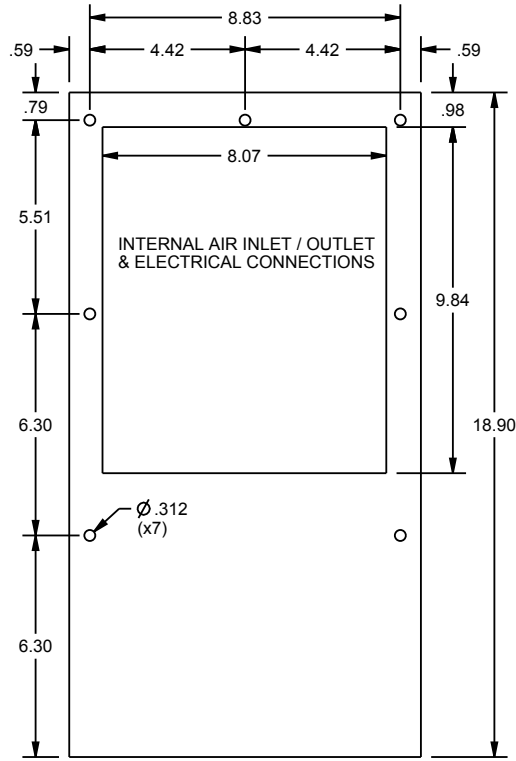
Air Conditioner Product Code P1

Catalog No.	BTU 95° @ 95°	Enclosure Heating Capacity (W)	Hz	Voltage	Line Amps	Startup Amps	Industry Standard
<a href="#">SCE-AC1000B120V</a>	1000	150 W	60	120V	2.4	8.00	IS19
<a href="#">SCE-AC1000B230V</a>	1000	150 W	50/60	230V	1.5	8.00	IS19
<b>Stainless Steel Type 304</b>							
<a href="#">SCE-AC1000B120VSS</a>	1000	150 W	60	120V	2.4	8.00	IS20
<a href="#">SCE-AC1000B230VSS</a>	1000	150 W	50/60	230V	1.5	8.00	IS20
<b>Stainless Steel Type 316</b>							
<a href="#">SCE-AC1000B120VSS6</a>	1000	150 W	60	120V	2.4	8.00	IS20
<a href="#">SCE-AC1000B230VSS6</a>	1000	150 W	50/60	230V	1.5	8.00	IS20

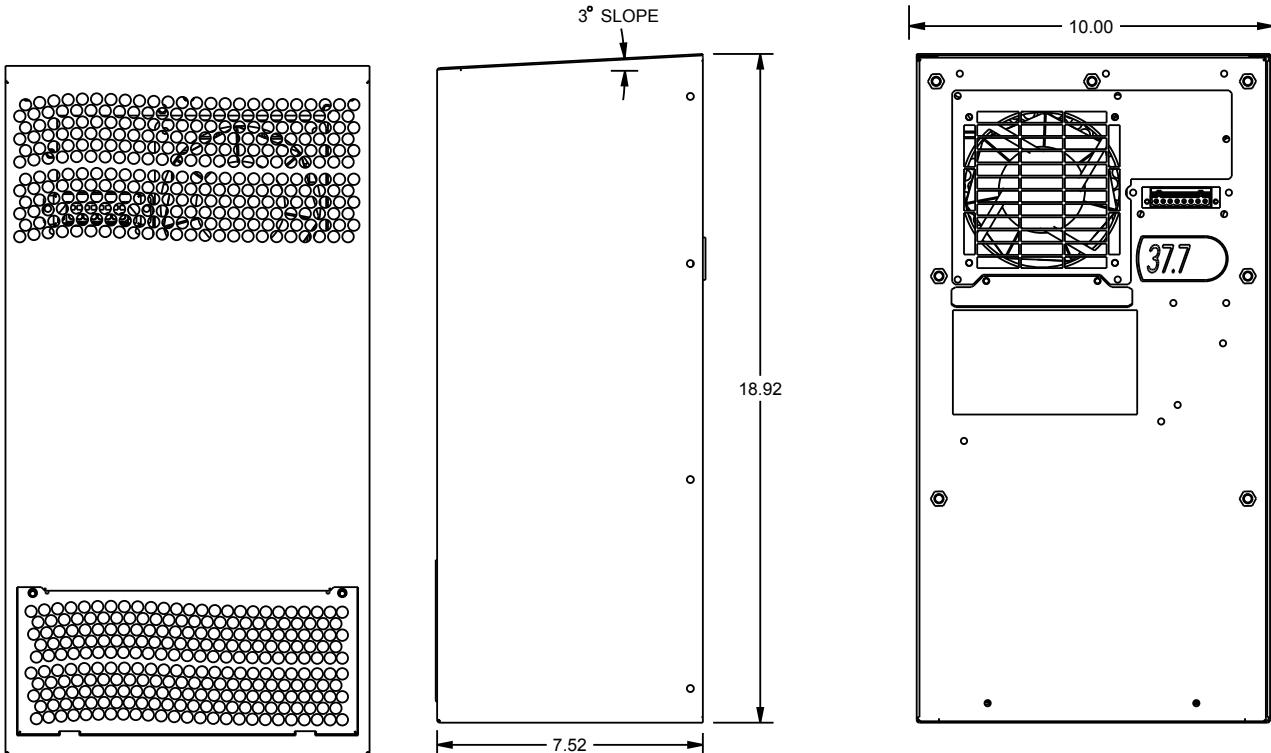


# ENVIRO-THERM® AIR CONDITIONERS

## TECHNICAL DATA



MOUNTING PATTERN



# ENVIRO-THERM® THERMAL MANAGEMENT AIR CONDITIONERS

## Application

Enviro-Therm® Air Conditioners are designed with an internal closed loop system to provide protection from dust, oil and water. For indoor and outdoor application. Rugged, energy efficient, and reliable cooling system. For more details and installation information, consult our installation manual at [www.saginawcontrol.com](http://www.saginawcontrol.com).

## Construction

- Heavy gauge steel/stainless steel.
- Internal components are corrosion resistant.
- Coils are designed as filterless units, fin spacing and hydrophobic Nano coating to help reduce chance of clogging.
- Washable, Reusable 8 layer aluminum mesh filters included.
- Captive screw fastened filter cover.
- Compressor Heater.
- Enclosure Heater for low ambient temperatures.
- Easy Mounting Flange hangers for installation included.
- High temp alarm.
- High performance ball bearing fans.
- Door activated switch wiring provisions.
- Cage clamp terminal connector.
- Oil and water resistant gaskets installed.

## Electrical

- cULus Listed
- CE
- Surge protected and EMI compliant - IEC61000 and CE requirement

## Finish

Powder coated steel cover RAL 7035 River Texture over Aluzinc coated steel.  
 SS units: #4 brushed finish 304 Stainless Steel cover and frame.  
 SS6 units: #4 brushed finish 316 Stainless Steel cover.

## IS19 Industry Standards

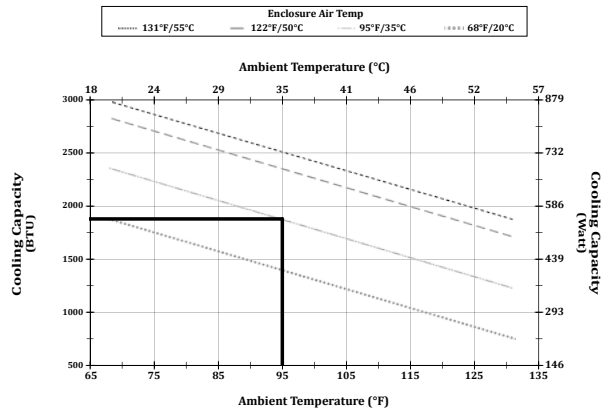
UL Recognized Type 3, 3R, 4 & 12  
 IEC 60529 IP56

## IS20 Industry Standards

UL Listed & Recognized Type 3, 3R, 4, 4X & 12  
 IEC 60529 IP56

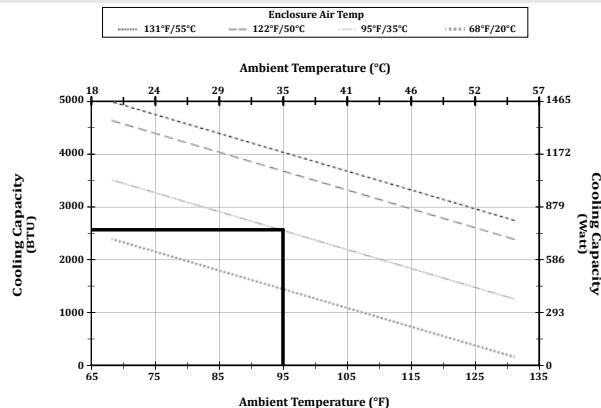
Air Conditioner Product Code P1

Catalog No.	BTU 95° @ 95°	Enclosure Heating Capacity (W)	Hz	Voltage	Line Amps	Startup Amps	Industry Standard
<a href="#">SCE-AC1870B120V</a>	1870	400 W	50/60	120V	5.60	20.00	IS19
<a href="#">SCE-AC1870B230V</a>	1870	400 W	50/60	230V	2.80	10.00	IS19
<a href="#">SCE-AC1870B460V</a>	1870	400 W	50/60	460V	1.40	5.00	IS19
<b>Stainless Steel Type 304</b>							
<a href="#">SCE-AC1870B120VSS</a>	1870	400 W	50/60	120V	5.60	20.00	IS20
<a href="#">SCE-AC1870B230VSS</a>	1870	400 W	50/60	230V	2.80	10.00	IS20
<a href="#">SCE-AC1870B460VSS</a>	1870	400 W	50/60	460V	1.40	5.00	IS20
<b>Stainless Steel Type 316</b>							
<a href="#">SCE-AC1870B120VSS6</a>	1870	400 W	50/60	120V	5.60	20.00	IS20
<a href="#">SCE-AC1870B230VSS6</a>	1870	400 W	50/60	230V	2.80	10.00	IS20
<a href="#">SCE-AC1870B460VSS6</a>	1870	400 W	50/60	460V	1.40	5.00	IS20



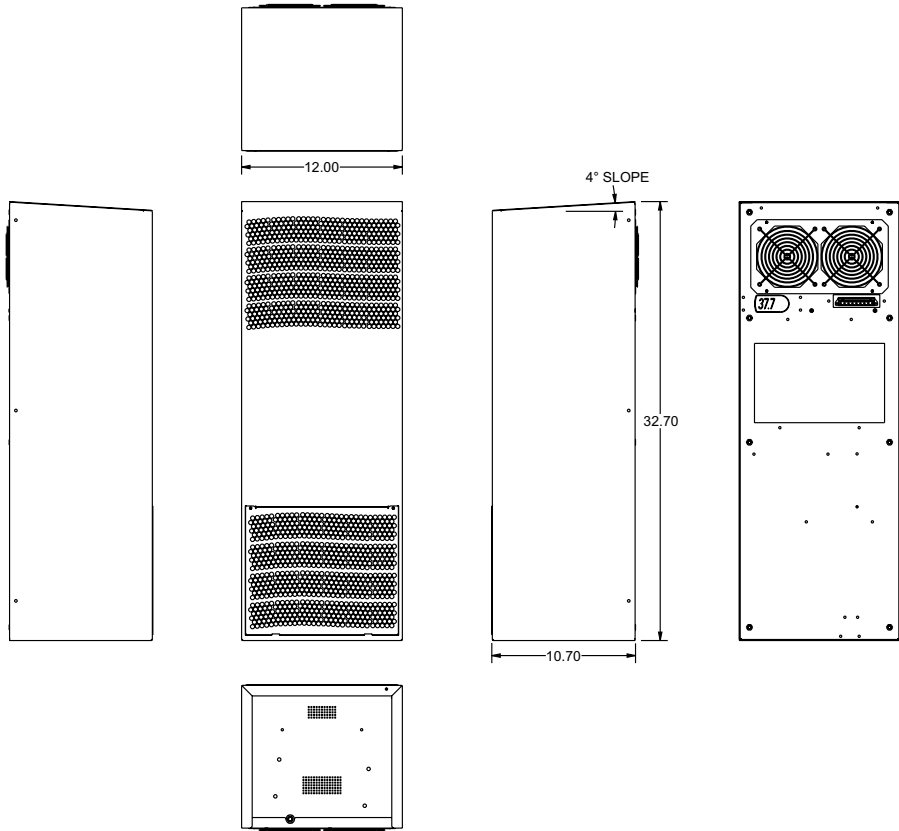
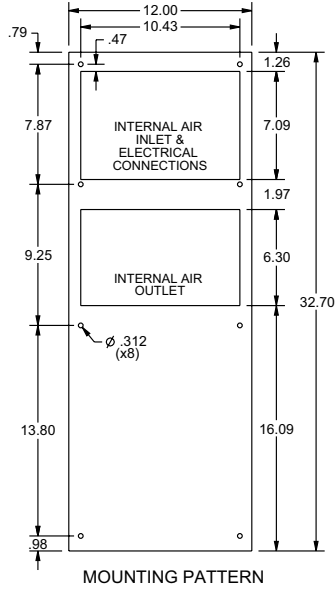
Air Conditioner Product Code P1

Catalog No.	BTU 95° @ 95°	Enclosure Heating Capacity (W)	Hz	Voltage	Line Amps	Startup Amps	Industry Standard
<a href="#">SCE-AC2550B120V</a>	2550	400 W	50/60	120V	7.40	20.00	IS19
<a href="#">SCE-AC2550B230V</a>	2550	400 W	50/60	230V	3.70	3.70	IS19
<a href="#">SCE-AC2550B460V</a>	2550	400 W	50/60	460V	1.90	1.90	IS19
<b>Stainless Steel Type 304</b>							
<a href="#">SCE-AC2550B120VSS</a>	2550	400 W	50/60	120V	7.40	20.00	IS20
<a href="#">SCE-AC2550B230VSS</a>	2550	400 W	50/60	230V	3.70	10.00	IS20
<a href="#">SCE-AC2550B460VSS</a>	2550	400 W	50/60	460V	1.90	5.00	IS20
<b>Stainless Steel Type 316</b>							
<a href="#">SCE-AC2550B120VSS6</a>	2550	400 W	50/60	120V	7.40	20.00	IS20
<a href="#">SCE-AC2550B230VSS6</a>	2550	400 W	50/60	230V	3.70	10.00	IS20
<a href="#">SCE-AC2550B460VSS6</a>	2550	400 W	50/60	460V	1.90	5.00	IS20



# ENVIRO-THERM® AIR CONDITIONERS

## TECHNICAL DATA



# ENVIRO-THERM® THERMAL MANAGEMENT AIR CONDITIONERS

## Application

Enviro-Therm® Air Conditioners are designed with an internal closed loop system to provide protection from dust, oil and water. For indoor and outdoor application. Rugged, energy efficient, and reliable cooling system. For more details and installation information, consult our installation manual at [www.saginawcontrol.com](http://www.saginawcontrol.com).

## Construction

- Heavy gauge steel/stainless steel.
- Internal components are corrosion resistant.
- Coils are designed as filterless units, fin spacing and hydrophobic Nano coating to help reduce chance of clogging.
- Washable, Reusable 8 layer aluminum mesh filters included.
- Captive screw fastened filter cover.
- Compressor Heater.
- Enclosure Heater for low ambient temperatures.
- Easy Mounting Flange hangers for installation included.
- High temp alarm.
- High performance ball bearing fans.
- Door activated switch wiring provisions.
- Cage clamp terminal connector.
- Oil and water resistant gaskets installed.

## Electrical

- cULus Listed
- CE
- Surge protected and EMI compliant - IEC61000 and CE requirement

## Finish

Powder coated steel cover RAL 7035 River Texture over Aluzinc coated steel.  
 SS units: #4 brushed finish 304 Stainless Steel cover and frame.  
 SS6 units: #4 brushed finish 316 Stainless Steel cover.

## IS19 Industry Standards

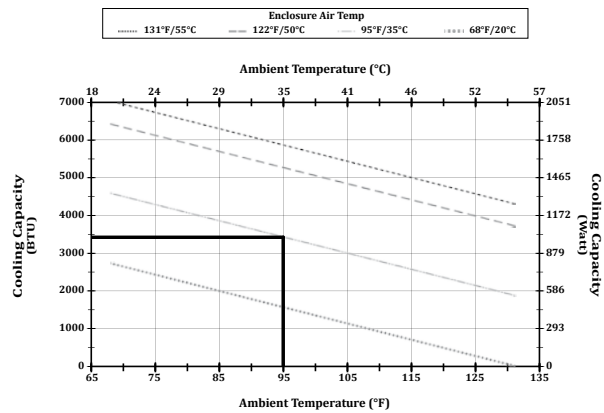
UL Recognized Type 3, 3R, 4 & 12  
 IEC 60529 IP56

## IS20 Industry Standards

UL Listed & Recognized Type 3, 3R, 4, 4X & 12  
 IEC 60529 IP56

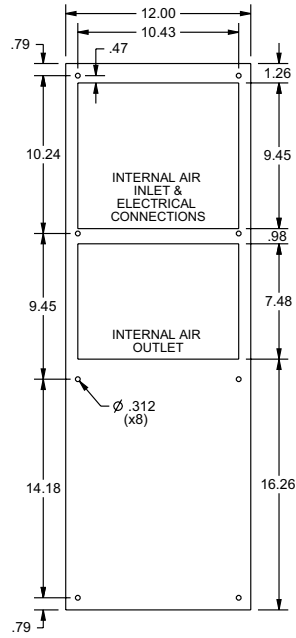
Air Conditioner Product Code P1

Catalog No.	BTU 95° @ 95°	Enclosure Heating Capacity (W)	Hz	Voltage	Line Amps	Startup Amps	Industry Standard
<a href="#">SCE-AC3400B120V</a>	3400	400 W	50/60	120V	9.40	30.00	IS19
<a href="#">SCE-AC3400B230V</a>	3400	400 W	50/60	230V	4.70	15.00	IS19
<a href="#">SCE-AC3400B460V</a>	3400	400 W	50/60	460V	2.40	7.50	IS19
<b>Stainless Steel Type 304</b>							
<a href="#">SCE-AC3400B120VSS</a>	3400	400 W	50/60	120V	9.40	30.00	IS20
<a href="#">SCE-AC3400B230VSS</a>	3400	400 W	50/60	230V	4.70	15.00	IS20
<a href="#">SCE-AC3400B460VSS</a>	3400	400 W	50/60	460V	2.40	7.50	IS20
<b>Stainless Steel Type 316</b>							
<a href="#">SCE-AC3400B120VSS6</a>	3400	400 W	50/60	120V	9.40	30.00	IS20
<a href="#">SCE-AC3400B230VSS6</a>	3400	400 W	50/60	230V	4.70	15.00	IS20
<a href="#">SCE-AC3400B460VSS6</a>	3400	400 W	50/60	460V	2.40	7.50	IS20

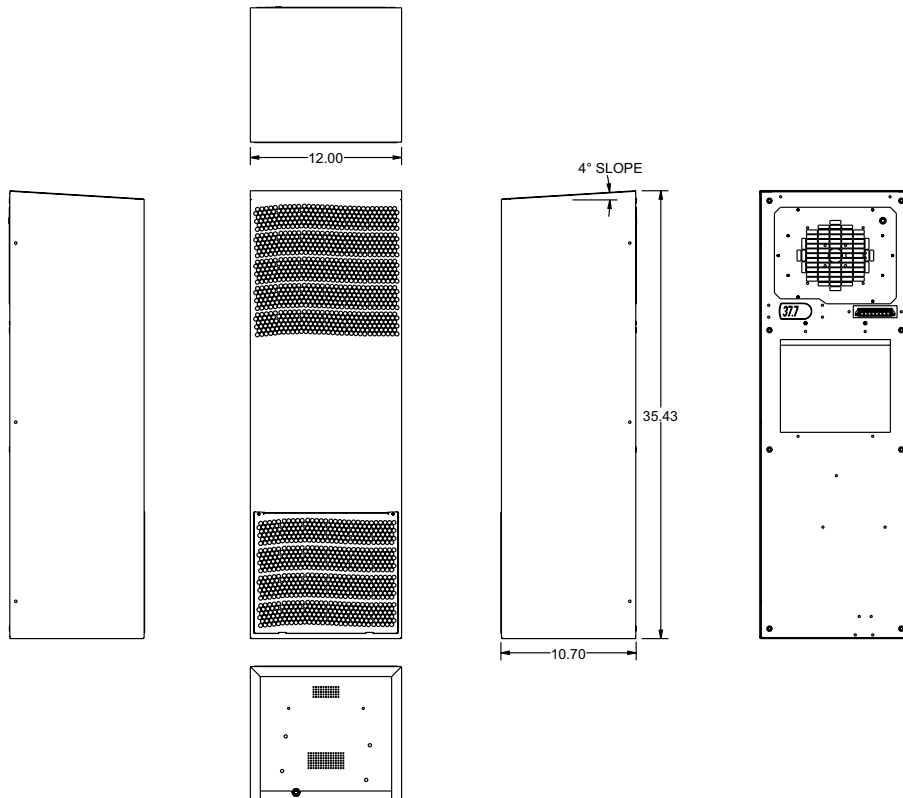


# ENVIRO-THERM<sup>®</sup> AIR CONDITIONERS

## TECHNICAL DATA



MOUNTING PATTERN



# ENVIRO-THERM® THERMAL MANAGEMENT AIR CONDITIONERS

## Application

Enviro-Therm® Air Conditioners are designed with an internal closed loop system to provide protection from dust, oil and water. For indoor and outdoor application. Rugged, energy efficient, and reliable cooling system. For more details and installation information, consult our installation manual at [www.saginawcontrol.com](http://www.saginawcontrol.com).

## Construction

- Heavy gauge steel/stainless steel.
- Internal components are corrosion resistant.
- Coils are designed as filterless units, fin spacing and hydrophobic Nano coating to help reduce chance of clogging.
- Washable, Reusable 8 layer aluminum mesh filters included.
- Captive screw fastened filter cover.
- Compressor Heater.
- Enclosure Heater for low ambient temperatures.
- Easy Mounting Flange hangers for installation included.
- High temp alarm.
- High performance ball bearing fans.
- Door activated switch wiring provisions.
- Cage clamp terminal connector.
- Oil and water resistant gaskets installed.

## Electrical

- cULus Listed
- CE
- Surge protected and EMI compliant - IEC61000 and CE requirement

## Finish

Powder coated steel cover RAL 7035 River Texture over Aluzinc coated steel.  
 SS units: #4 brushed finish 304 Stainless Steel cover and frame.  
 SS6 units: #4 brushed finish 316 Stainless Steel cover.

## IS19 Industry Standards

UL Recognized Type 3, 3R, 4 & 12  
 IEC 60529 IP56

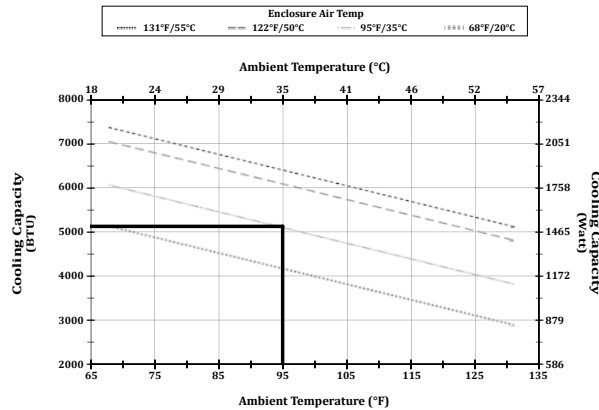
## IS20 Industry Standards

UL Listed & Recognized Type 3, 3R, 4, 4X & 12  
 IEC 60529 IP56

360

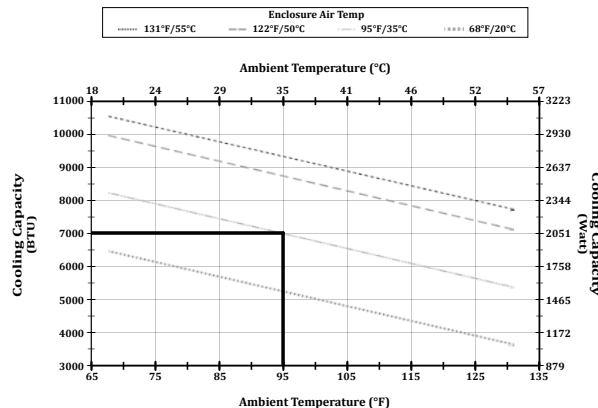
Air Conditioner Product Code P1

Catalog No.	BTU 95° @ 95°	Enclosure Heating Capacity (W)	Hz	Voltage	Line Amps	Startup Amps	Industry Standard
<a href="#">SCE-AC5100B120V</a>	5100	1000 W	50/60	120V	12.80	32.00	IS19
<a href="#">SCE-AC5100B230V</a>	5100	1000 W	50/60	230V	6.40	16.00	IS19
<a href="#">SCE-AC5100B460V</a>	5100	1000 W	50/60	460V	3.20	8.00	IS19
<b>Stainless Steel Type 304</b>							
<a href="#">SCE-AC5100B120VSS</a>	5100	1000 W	50/60	120V	12.80	32.00	IS20
<a href="#">SCE-AC5100B230VSS</a>	5100	1000 W	50/60	230V	6.40	16.00	IS20
<a href="#">SCE-AC5100B460VSS</a>	5100	1000 W	50/60	460V	3.20	8.00	IS20
<b>Stainless Steel Type 316</b>							
<a href="#">SCE-AC5100B120VSS6</a>	5100	1000 W	50/60	120V	12.80	32.00	IS20
<a href="#">SCE-AC5100B230VSS6</a>	5100	1000 W	50/60	230V	6.40	16.00	IS20
<a href="#">SCE-AC5100B460VSS6</a>	5100	1000 W	50/60	460V	3.20	8.00	IS20



Air Conditioner Product Code P1

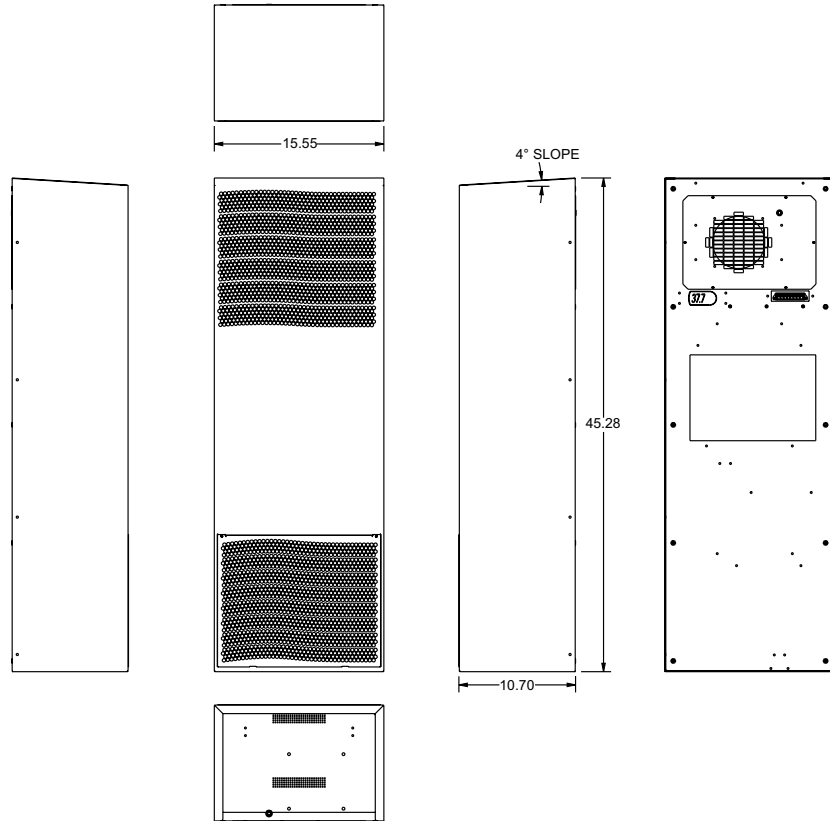
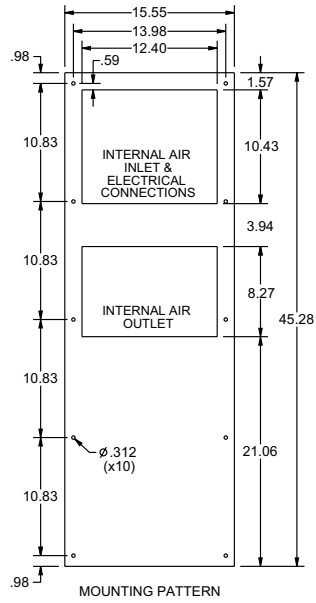
Catalog No.	BTU 95° @ 95°	Enclosure Heating Capacity (W)	Hz	Voltage	Line Amps	Startup Amps	Industry Standard
<a href="#">SCE-AC6800B120V</a>	6800	1000 W	50/60	120V	15.80	60.00	IS19
<a href="#">SCE-AC6800B230V</a>	6800	1000 W	50/60	230V	7.90	30.00	IS19
<a href="#">SCE-AC6800B460V3</a>	6800	1000 W	50/60	380 / 460V (3~)	4.00	15.00	IS19
<b>Stainless Steel Type 304</b>							
<a href="#">SCE-AC6800B120VSS</a>	6800	1000 W	50/60	120V	15.80	60.00	IS20
<a href="#">SCE-AC6800B230VSS</a>	6800	1000 W	50/60	230V	7.90	30.00	IS20
<a href="#">SCE-AC6800B460V3SS</a>	6800	1000 W	50/60	380 / 460V (3~)	4.00	15.00	IS20
<b>Stainless Steel Type 316</b>							
<a href="#">SCE-AC6800B120VSS6</a>	6800	1000 W	50/60	120V	15.80	60.00	IS20
<a href="#">SCE-AC6800B230VSS6</a>	6800	1000 W	50/60	230V	7.90	30.00	IS20
<a href="#">SCE-AC6800B460V3SS6</a>	6800	1000 W	50/60	380 / 460V (3~)	4.00	15.00	IS20





# ENVIRO-THERM® AIR CONDITIONERS

## TECHNICAL DATA



# ENVIRO-THERM® THERMAL MANAGEMENT AIR CONDITIONERS

Air Conditioner Product Code P1

Catalog No.	BTU 95° @ 95°	Enclosure Heating Capacity (W)	Hz	Voltage	Line Amps	Startup Amps	Industry Standard
<a href="#">SCE-AC8500B120V</a>	8500	1500 W	50/60	120V	16.80	45.00	IS19
<a href="#">SCE-AC8500B230V</a>	8500	1500 W	50/60	230V	8.40	22.50	IS19
<a href="#">SCE-AC8500B460V</a>	8500	1500 W	50/60	460V	4.20	11.20	IS19
<b>Stainless Steel Type 304</b>							
<a href="#">SCE-AC8500B120VSS</a>	8500	1500 W	50/60	120V	16.80	45.00	IS20
<a href="#">SCE-AC8500B230VSS</a>	8500	1500 W	50/60	230V	8.40	22.50	IS20
<a href="#">SCE-AC8500B460VSS</a>	8500	1500 W	50/60	460V	4.20	11.20	IS20
<b>Stainless Steel Type 316</b>							
<a href="#">SCE-AC8500B120VSS6</a>	8500	1500 W	50/60	120V	16.80	45.00	IS20
<a href="#">SCE-AC8500B230VSS6</a>	8500	1500 W	50/60	230V	8.40	22.50	IS20
<a href="#">SCE-AC8500B460VSS6</a>	8500	1500 W	50/60	460V	4.20	11.20	IS20

## Application

Enviro-Therm® Air Conditioners are designed with an internal closed loop system to provide protection from dust, oil and water. For indoor and outdoor application. Rugged, energy efficient, and reliable cooling system. For more details and installation information, consult our installation manual at [www.saginawcontrol.com](http://www.saginawcontrol.com).

## Construction

- Heavy gauge steel/stainless steel.
- Internal components are corrosion resistant.
- Coils are designed as filterless units, fin spacing and hydrophobic Nano coating to help reduce chance of clogging.
- Washable, Reusable 8 layer aluminum mesh filters included.
- Captive screw fastened filter cover.
- Compressor Heater.
- Enclosure Heater for low ambient temperatures.
- Easy Mounting Flange hangers for installation included.
- High temp alarm.
- High performance ball bearing fans.
- Door activated switch wiring provisions.
- Cage clamp terminal connector.
- Oil and water resistant gaskets installed.

## Electrical

- cULus Listed
- CE
- Surge protected and EMI compliant - IEC61000 and CE requirement

## Finish

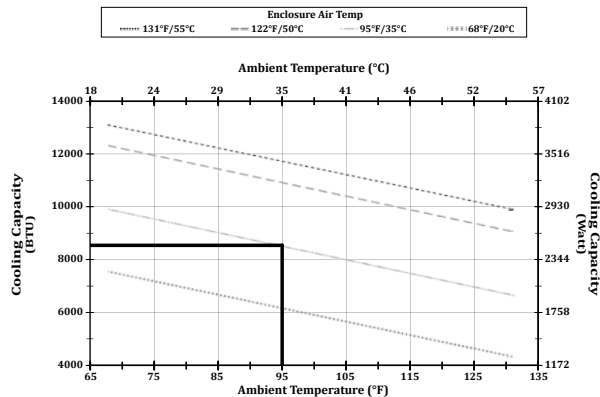
Powder coated steel cover RAL 7035 River Texture over Aluzinc coated steel.  
 SS units: #4 brushed finish 304 Stainless Steel cover and frame.  
 SS6 units: #4 brushed finish 316 Stainless Steel cover.

## IS19 Industry Standards

UL Recognized Type 3, 3R, 4 & 12  
 IEC 60529 IP56

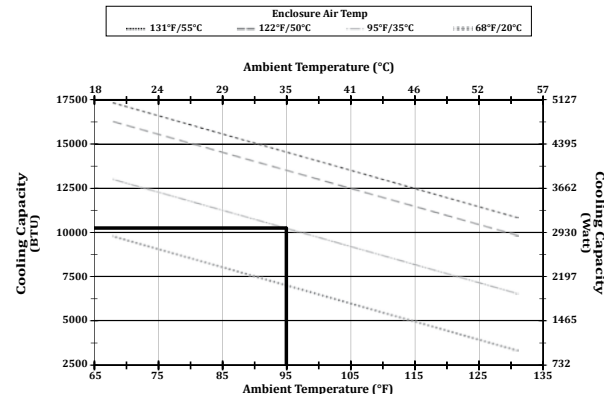
## IS20 Industry Standards

UL Listed & Recognized Type 3, 3R, 4, 4X & 12  
 IEC 60529 IP56



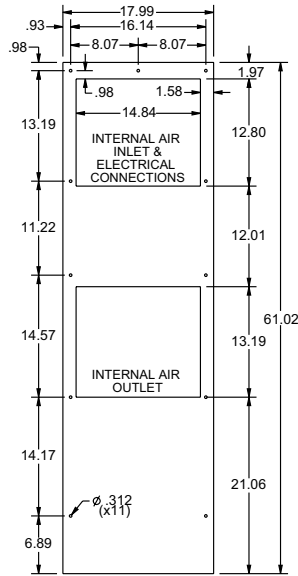
Air Conditioner Product Code P1

Catalog No.	BTU 95° @ 95°	Enclosure Heating Capacity (W)	Hz	Voltage	Line Amps	Startup Amps	Industry Standard
<a href="#">SCE-AC10200B230V</a>	10200	1500 W	50/60	230V	7.00	60.00	IS19
<a href="#">SCE-AC10200B460V3</a>	10200	1500 W	50/60	380 / 460V (3~)	3.50	30.00	IS19
<b>Stainless Steel Type 304</b>							
<a href="#">SCE-AC10200B230VSS</a>	10200	1500 W	50/60	230V	7.00	60.00	IS20
<a href="#">SCE-AC10200B460V3SS</a>	10200	1500 W	50/60	380 / 460V (3~)	3.50	30.00	IS20
<b>Stainless Steel Type 316</b>							
<a href="#">SCE-AC10200B230VSS6</a>	10200	1500 W	50/60	230V	7.00	60.00	IS20
<a href="#">SCE-AC10200B460V3SS6</a>	10200	1500 W	50/60	380 / 460V (3~)	3.50	30.00	IS20

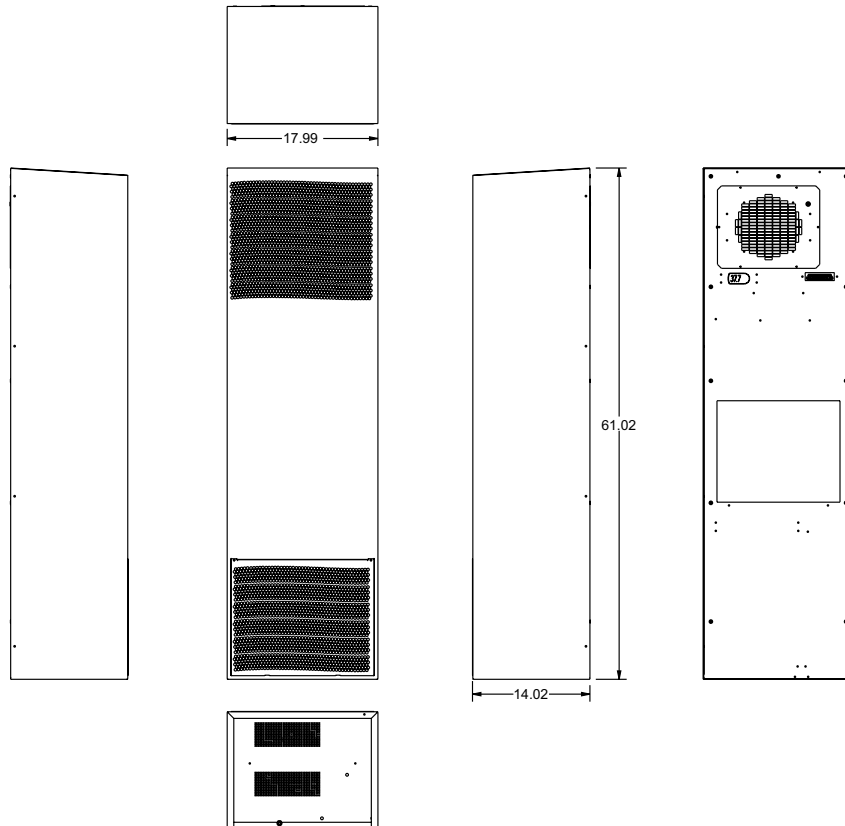


# ENVIRO-THERM® AIR CONDITIONERS

## TECHNICAL DATA



MOUNTING PATTERN



# ENVIRO-THERM® THERMAL MANAGEMENT AIR CONDITIONERS

Air Conditioner Product Code P1

Catalog No.	BTU 95° @ 95°	Enclosure Heating Capacity (W)	Hz	Voltage	Line Amps	Startup Amps	Industry Standard
<a href="#">SCE-AC13650B230V</a>	13650	2000 W	50/60	230V	8.30	50.00	IS19
<a href="#">SCE-AC13650B460V3</a>	13650	2000 W	50/60	460V (3~)	5.60	25.00	IS19
<b>Stainless Steel Type 304</b>							
<a href="#">SCE-AC13650B230VSS</a>	13650	2000 W	50/60	230V	8.30	50.00	IS20
<a href="#">SCE-AC13650B460V3SS</a>	13650	2000 W	50/60	460V (3~)	5.60	25.00	IS20
<b>Stainless Steel Type 316</b>							
<a href="#">SCE-AC13650B230VSS6</a>	13650	2000 W	50/60	230V	8.30	50.00	IS20
<a href="#">SCE-AC13650B460V3SS6</a>	13650	2000 W	50/60	460V (3~)	5.60	25.00	IS20

## Application

Enviro-Therm® Air Conditioners are designed with an internal closed loop system to provide protection from dust, oil and water. For indoor and outdoor application. Rugged, energy efficient, and reliable cooling system. For more details and installation information, consult our installation manual at [www.saginawcontrol.com](http://www.saginawcontrol.com).

## Construction

- Heavy gauge steel/stainless steel.
- Internal components are corrosion resistant.
- Coils are designed as filterless units, fin spacing and hydrophobic Nano coating to help reduce chance of clogging.
- Washable, Reusable 8 layer aluminum mesh filters included.
- Captive screw fastened filter cover.
- Compressor Heater.
- Enclosure Heater for low ambient temperatures.
- Easy Mounting Flange hangers for installation included.
- High temp alarm.
- High performance ball bearing fans.
- Door activated switch wiring provisions.
- Cage clamp terminal connector.
- Oil and water resistant gaskets installed.

## Electrical

- cULus Listed
- CE
- Surge protected and EMI compliant - IEC61000 and CE requirement

## Finish

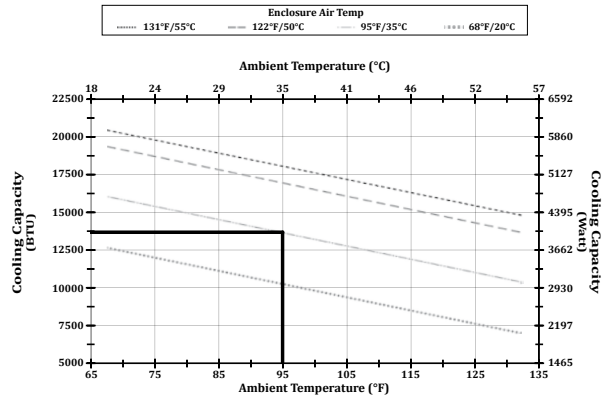
Powder coated steel cover RAL 7035 River Texture over Aluzinc coated steel.  
 SS units: #4 brushed finish 304 Stainless Steel cover and frame.  
 SS6 units: #4 brushed finish 316 Stainless Steel cover.

## IS19 Industry Standards

UL Recognized Type 3, 3R, 4 & 12  
 IEC 60529 IP56

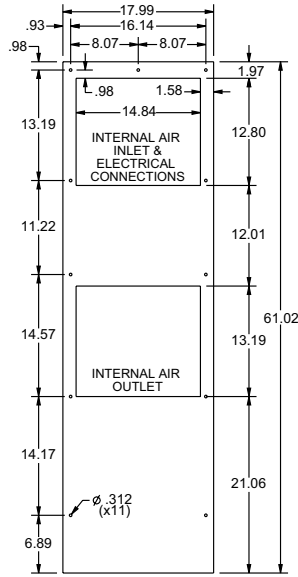
## IS20 Industry Standards

UL Listed & Recognized Type 3, 3R, 4, 4X & 12  
 IEC 60529 IP56

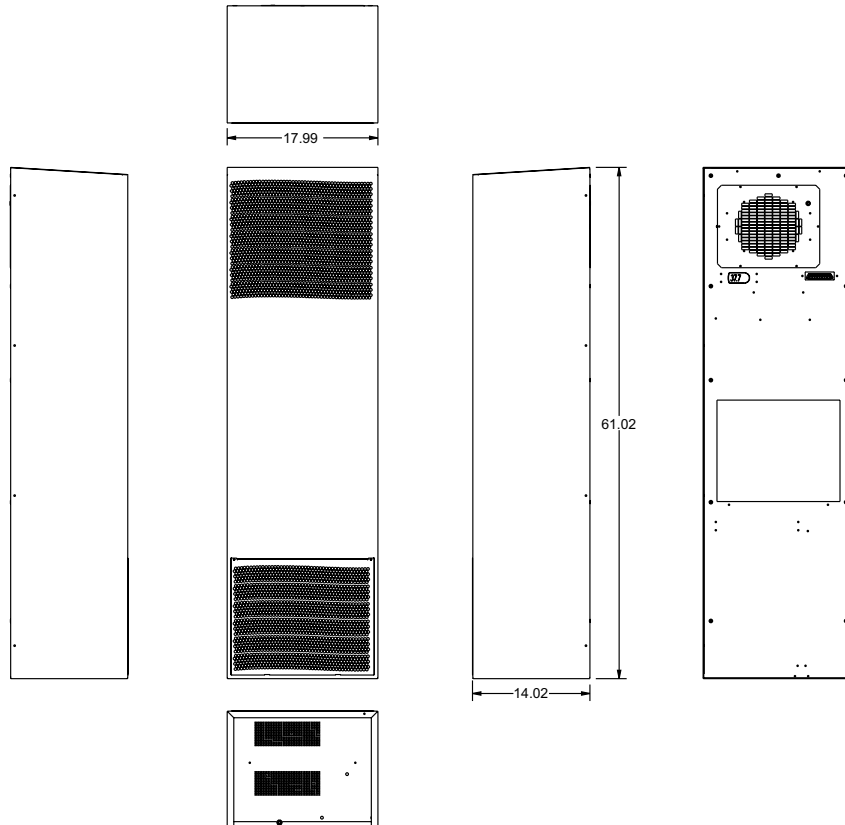


# ENVIRO-THERM® AIR CONDITIONERS

## TECHNICAL DATA



MOUNTING PATTERN



# ENVIRO-THERM® THERMAL MANAGEMENT AIR CONDITIONERS

Air Conditioner Product Code P1

Catalog No.	BTU 95° @ 95°	Enclosure Heating Capacity (W)	Hz	Voltage	Line Amps	Startup Amps	Industry Standard
<a href="#">SCE-AC21160B460V3</a>	21160	1800 W	50/60	460V	9.3	69.00	IS19
<b>Stainless Steel Type 304</b>							
<a href="#">SCE-AC21160B460V3SS</a>	21160	1800 W	50/60	460V	9.3	69.00	IS20

## Application

Enviro-Therm® Air Conditioners are designed with an internal closed loop system to provide protection from dust, oil and water. For indoor and outdoor application. Rugged, energy efficient, and reliable cooling system. For more details and installation information, consult our installation manual at [www.saginawcontrol.com](http://www.saginawcontrol.com).

## Construction

- Heavy gauge steel/stainless steel.
- Internal components are corrosion resistant.
- Coils are designed as filterless units, fin spacing and hydrophobic Nano coating to help reduce chance of clogging.
- Washable, Reusable 8 layer aluminum mesh filters included.
- Captive screw fastened filter cover.
- Compressor Heater.
- Enclosure Heater for low ambient temperatures.
- Easy Mounting Flange hangers for installation included.
- High temp alarm.
- High performance ball bearing fans.
- Door activated switch wiring provisions.
- Cage clamp terminal connector.
- Oil and water resistant gaskets installed.

## Electrical

- cULus Listed
- CE
- Surge protected and EMI compliant - IEC61000 and CE requirement

## Finish

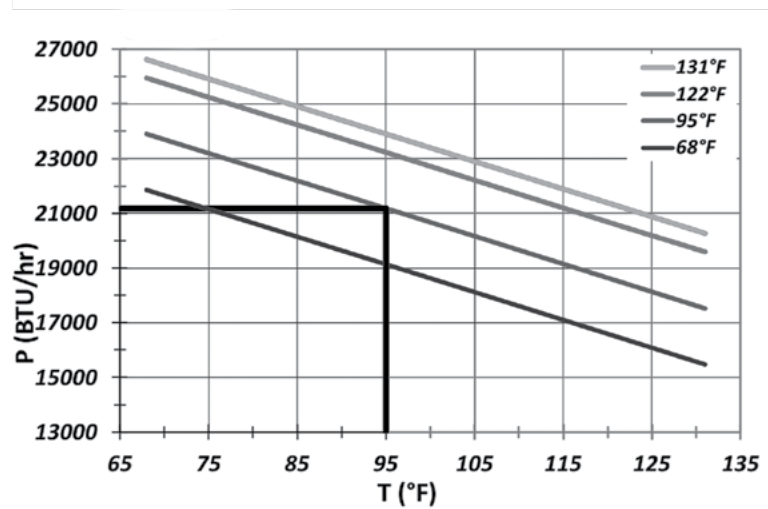
Powder coated steel cover RAL 7035 River Texture over Aluzinc coated steel.  
 SS units: #4 brushed finish 304 Stainless Steel cover and frame.  
 SS6 units: #4 brushed finish 316 Stainless Steel cover.

## IS19 Industry Standards

UL Recognized Type 3, 3R, 4 & 12  
 IEC 60529 IP56

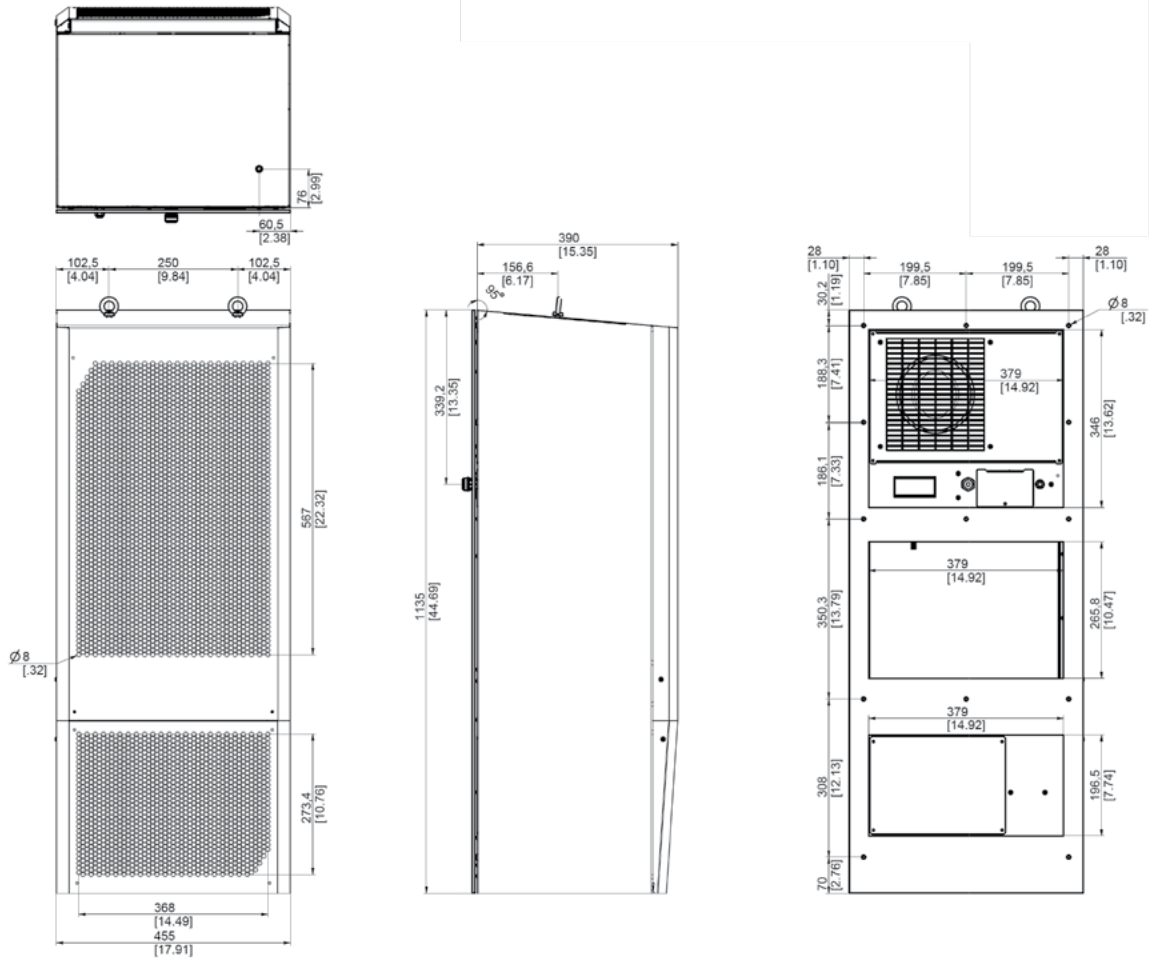
## IS20 Industry Standards

UL Listed & Recognized Type 3, 3R, 4, 4X & 12  
 IEC 60529 IP56



# ENVIRO-THERM® AIR CONDITIONERS

## TECHNICAL DATA



# NEXTGEN AIR CONDITIONER

## Application

NextGen Enviro-Therm® Air Conditioners are designed with an internal closed loop system to provide protection from dust, oil and water. For use in most industrial area or application where Low ambient is not a concern indoor and outdoor. Rugged, more energy efficient and reliable cooling system. For more details and installation information, consult our installation manual at [www.saginawcontrol.com](http://www.saginawcontrol.com).

## Construction

- Closed Loop Cooling System
- Hermetically sealed rotary compressor
- Internal Components are Corrosion Resistant
- Built in ModBus Communication RS485 serial
- Active condensate system
- Coils are designed as filterless units, fin spacing and hydrophobic Nano coating to help reduce chance of clogging when used filterless
- Washable, Reusable aluminum mesh filters included
- Screw fastened filter cover
- R134a Refrigerant Chlorine-free and harmless to the environment
- Easy Handling Removable Lifting Strap
- Mounting Flange hangers for easy installation, Included
- Digital Touchpad Programmable Controller, viewable from outside the Enclosure
- Controller Preset 95°F to cool adjustable 68°F to 122°F
- Temperature differential hysteresis 5.4°F
- High temp alarm Preset 131°F
- High performance ball bearing fans
- Door activated switch wiring provisions provided for easy installation

## Finish

Powder coated steel Cover RAL 7035 River Texture over Aluzinc coated steel

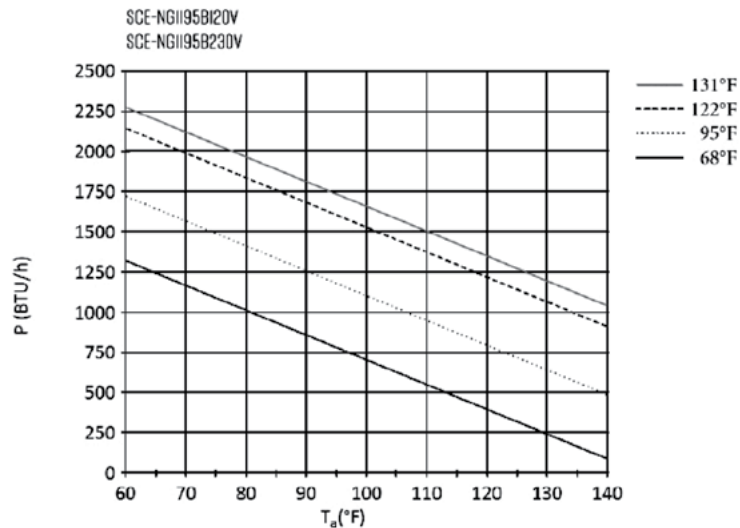
## Notes

For use in applications where low ambient is not a concern. Extended ambient temperature range +40 to 140 degrees F (Unit does not have Low ambient compressor heater)

## IS19 Industry Standards

UL Listed & Recognized Type 3, 3R, 4 & 12  
IEC 60529 IP56

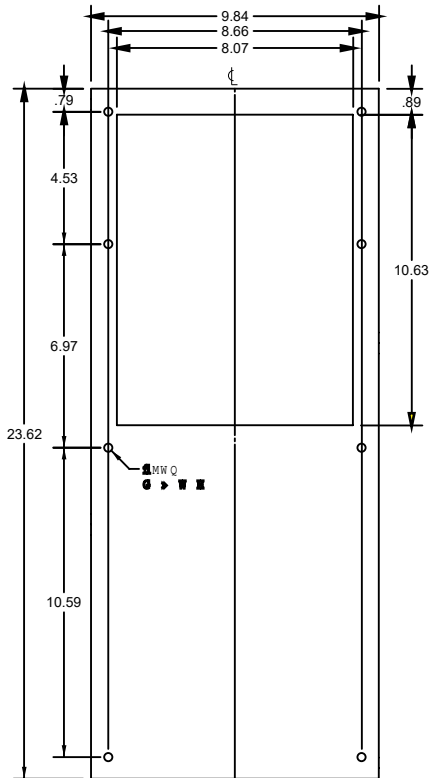
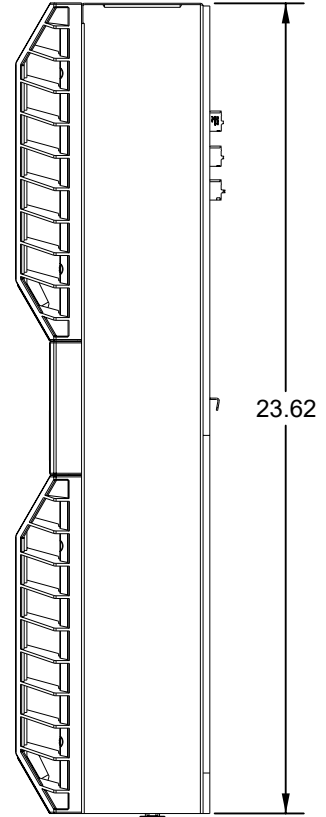
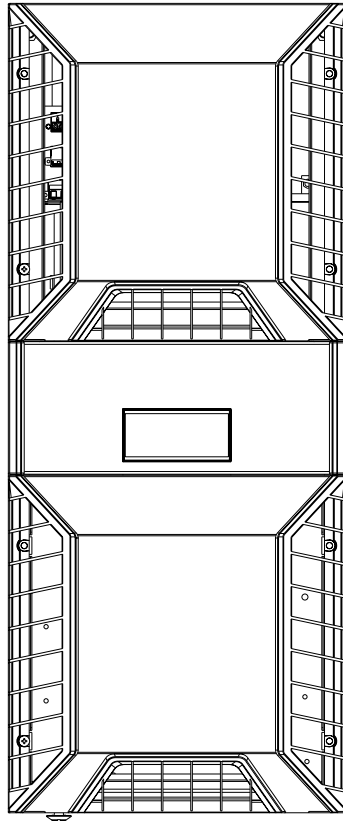
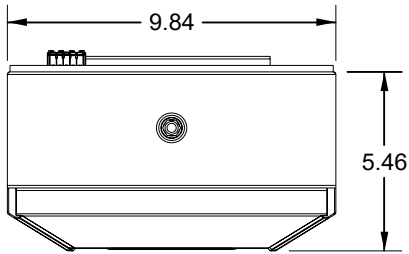
Catalog No.	BTU 95° @ 95°	Hz	Voltage	Rated Current 95°	Starting Current	Industry Standard
<a href="#">SCE-NG1195B120V</a>	1195	50/60	120V	2.1 A	7.5 A	IS19
<a href="#">SCE-NG1195B230V</a>	1195	50/60	120V	7.5 A @ 50 Hz 1.3 A @ 60 Hz	4 A	IS19



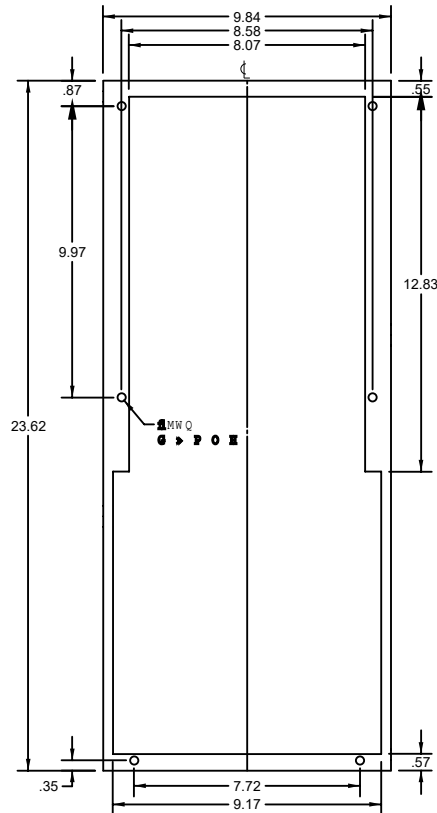


# NEXTGEN AIR CONDITIONER

## TECHNICAL DATA



CUTOUT FOR EXTERNAL INSTALLATION



CUTOUT FOR INTERNAL INSTALLATION

# NEXTGEN AIR CONDITIONER

Catalog No.	BTU 95° @ 95°	Hz	Voltage	Rated Current 95°	Starting Current	Industry Standard
<a href="#">SCE-NG1870B120V</a>	1870	50/60	120V	3.6 A	13 A	IS19
<a href="#">SCE-NG1870B230V</a>	1870	50/60	230V	1.8 A @ 50 Hz 1.8 A @ 60 Hz	6 A	IS19

## Application

NextGen Enviro-Therm® Air Conditioners are designed with an internal closed loop system to provide protection from dust, oil and water. For use in most industrial area or application where Low ambient is not a concern indoor and outdoor. Rugged, more energy efficient and reliable cooling system. For more details and installation information, consult our installation manual at [www.saginawcontrol.com](http://www.saginawcontrol.com).

## Construction

- Closed Loop Cooling System
- Hermetically sealed rotary compressor
- Internal Components are Corrosion Resistant
- Built in ModBus Communication RS485 serial
- Active condensate system
- Coils are designed as filterless units, fin spacing and hydrophobic Nano coating to help reduce chance of clogging when used filterless
- Washable, Reusable aluminum mesh filters included
- Screw fastened filter cover
- R134a Refrigerant Chlorine-free and harmless to the environment
- Easy Handling Removable Lifting Strap
- Mounting Flange hangers for easy installation, Included
- Digital Touchpad Programmable Controller, viewable from outside the Enclosure
- Controller Preset 95°F to cool adjustable 68°F to 122°F
- Temperature differential hysteresis 5.4°F
- High temp alarm Preset 131°F
- High performance ball bearing fans
- Door activated switch wiring provisions provided for easy installation

## Finish

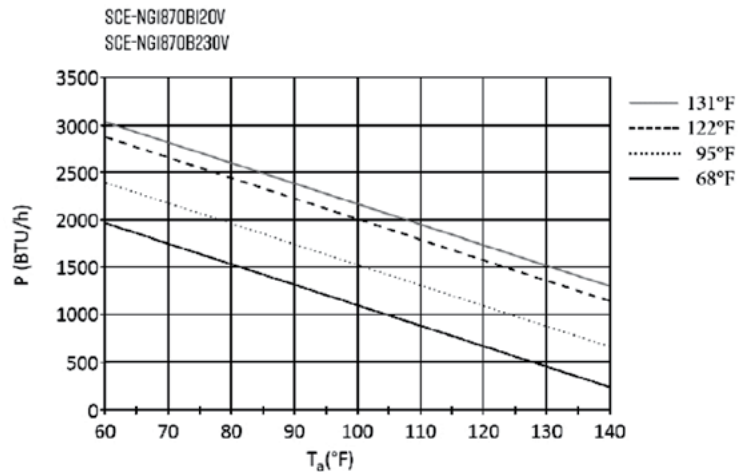
Powder coated steel Cover RAL 7035 River Texture over Aluzinc coated steel

## Notes

For use in applications where low ambient is not a concern. Extended ambient temperature range +40 to 140 degrees F (Unit does not have Low ambient compressor heater)

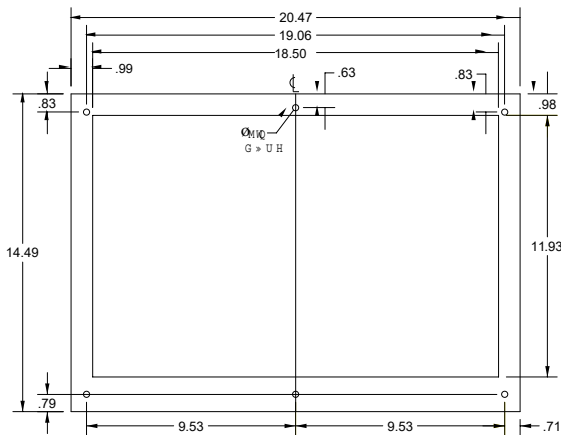
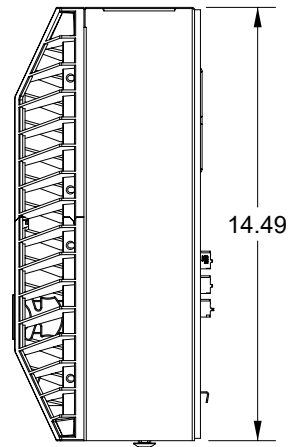
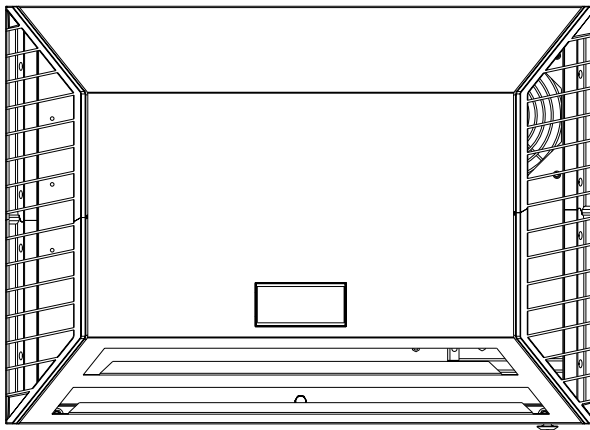
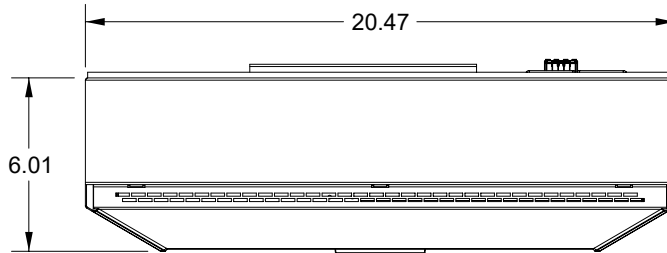
## IS19 Industry Standards

UL Listed & Recognized Type 3, 3R, 4 & 12  
IEC 60529 IP56

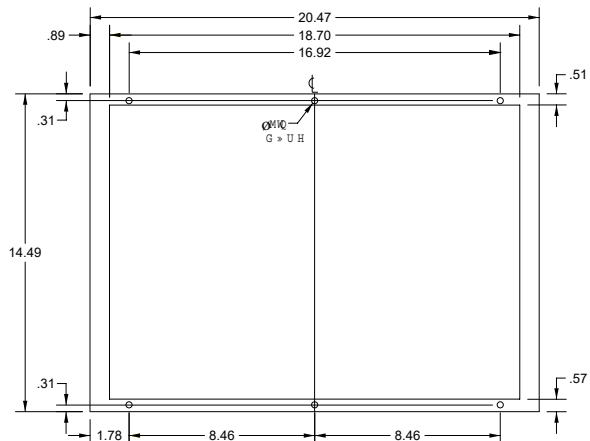


# NEXTGEN AIR CONDITIONER

## TECHNICAL DATA



CUTOUT FOR EXTERNAL INSTALLATION



CUTOUT FOR INTERNAL INSTALLATION

# NEXTGEN AIR CONDITIONER

## Application

NextGen Enviro-Therm® Air Conditioners are designed with an internal closed loop system to provide protection from dust, oil and water. For use in most industrial area or application were Low ambient is not a concern indoor and outdoor. Rugged, more energy efficient and reliable cooling system. For more details and installation information, consult our installation manual at [www.saginawcontrol.com](http://www.saginawcontrol.com).

## Construction

- Closed Loop Cooling System
- Hermetically sealed rotary compressor
- Internal Components are Corrosion Resistant
- Built in ModBus Communication RS485 serial
- Active condensate system
- Coils are designed as filterless units, fin spacing and hydrophobic Nano coating to help reduce chance of clogging when used filterless
- Washable, Reusable aluminum mesh filters included
- Screw fastened filter cover
- R134a Refrigerant Chlorine-free and harmless to the environment
- Easy Handling Removable Lifting Strap
- Mounting Flange hangers for easy installation, Included
- Digital Touchpad Programmable Controller, viewable from outside the Enclosure
- Controller Preset 95°F to cool adjustable 68°F to 122°F
- Temperature differential hysteresis 5.4°F
- High temp alarm Preset 131°F
- High performance ball bearing fans
- Door activated switch wiring provisions provided for easy installation

## Finish

Powder coated steel Cover RAL 7035 River Texture over Aluzinc coated steel

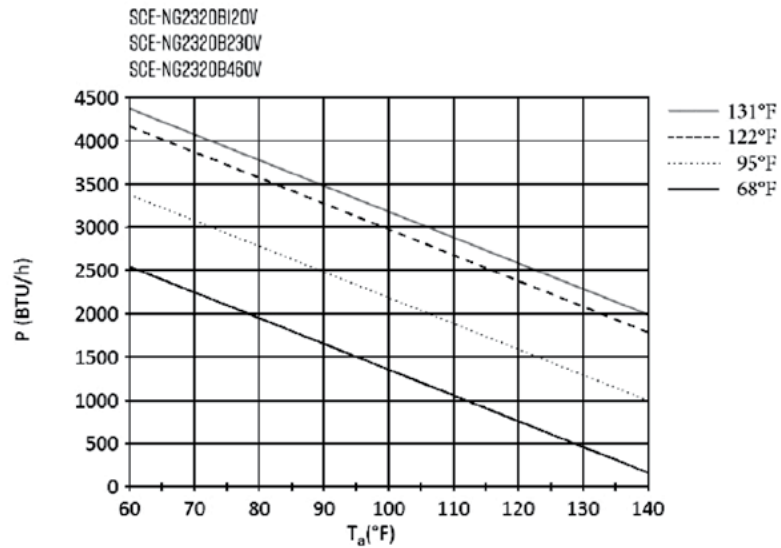
## Notes

For use in applications were low ambient is not a concern. Extended ambient temperature range +40 to 140 degrees F (Unit does not have Low ambient compressor heater)

## IS19 Industry Standards

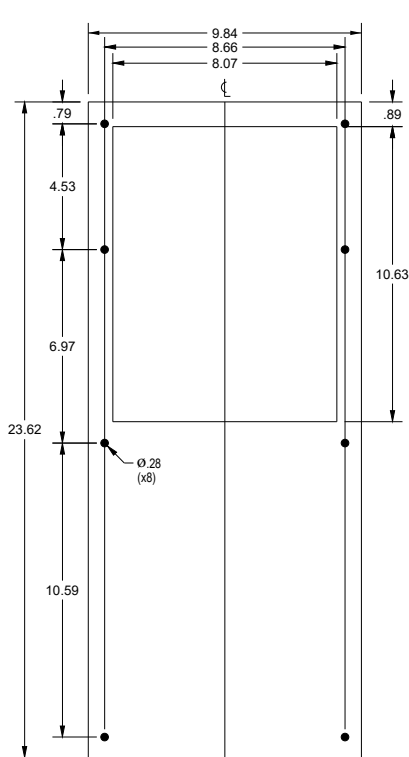
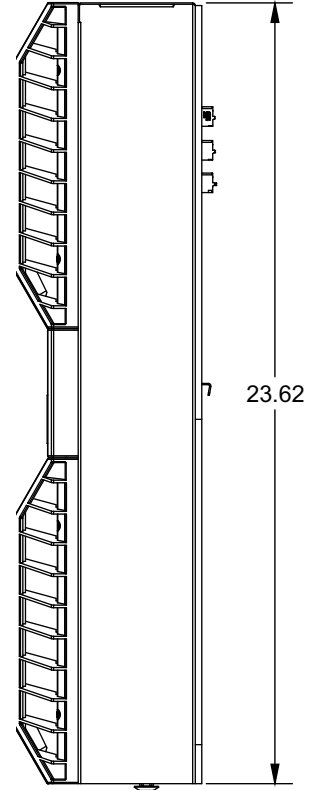
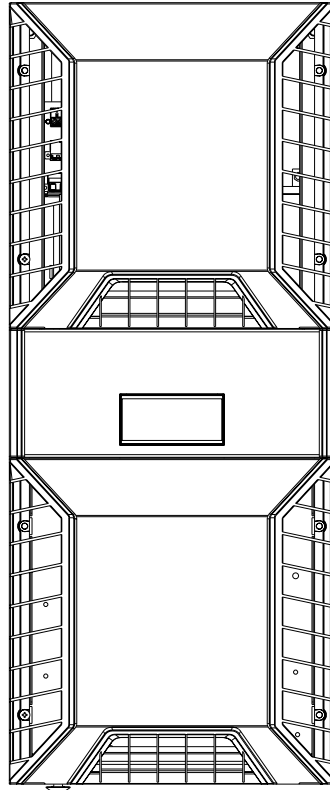
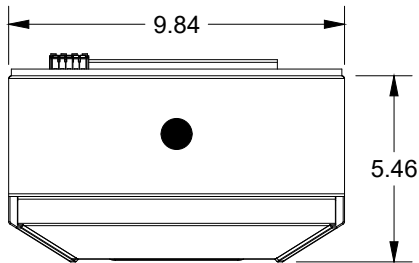
UL Listed & Recognized Type 3, 3R, 4 & 12  
IEC 60529 IP56

Catalog No.	BTU 95° @ 95°	Hz	Voltage	Rated Current 95°	Starting Current	Industry Standard
<a href="#">SCE-NG2320B120V</a>	2320	50/60	120V	3.6 A	13 A	IS19
<a href="#">SCE-NG2320B230V</a>	2320	50/60	230V	2 A	6 A	IS19
<a href="#">SCE-NG2320B460V</a>	2320	50/60	460V	1 A	3 A	IS19

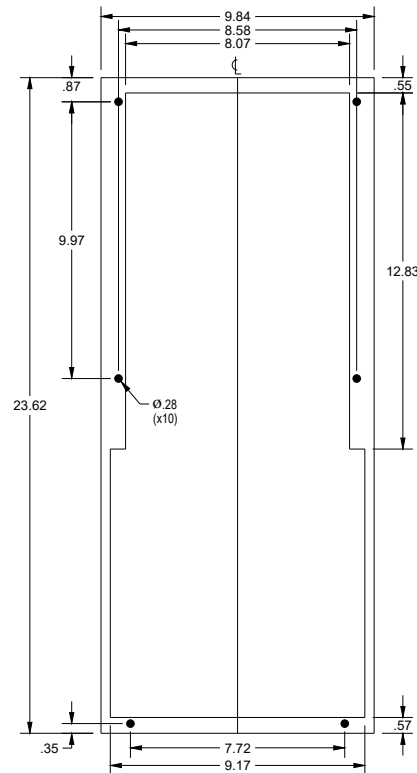


# NEXTGEN AIR CONDITIONER

## TECHNICAL DATA



CUTOUT FOR EXTERNAL INSTALLATION



CUTOUT FOR INTERNAL INSTALLATION

# NEXTGEN AIR CONDITIONER

## Application

NextGen Enviro-Therm® Air Conditioners are designed with an internal closed loop system to provide protection from dust, oil and water. For use in most industrial area or application where Low ambient is not a concern indoor and outdoor. Rugged, more energy efficient and reliable cooling system. For more details and installation information, consult our installation manual at [www.saginawcontrol.com](http://www.saginawcontrol.com).

## Construction

- Closed Loop Cooling System
- Hermetically sealed rotary compressor
- Internal Components are Corrosion Resistant
- Built in ModBus Communication RS485 serial
- Active condensate system
- Coils are designed as filterless units, fin spacing and hydrophobic Nano coating to help reduce chance of clogging when used filterless
- Washable, Reusable aluminum mesh filters included
- Screw fastened filter cover
- R134a Refrigerant Chlorine-free and harmless to the environment
- Easy Handling Removable Lifting Strap
- Mounting Flange hangers for easy installation, Included
- Digital Touchpad Programmable Controller, viewable from outside the Enclosure
- Controller Preset 95°F to cool adjustable 68°F to 122°F
- Temperature differential hysteresis 5.4°F
- High temp alarm Preset 131°F
- High performance ball bearing fans
- Door activated switch wiring provisions provided for easy installation

## Finish

Powder coated steel Cover RAL 7035 River Texture over Aluzinc coated steel

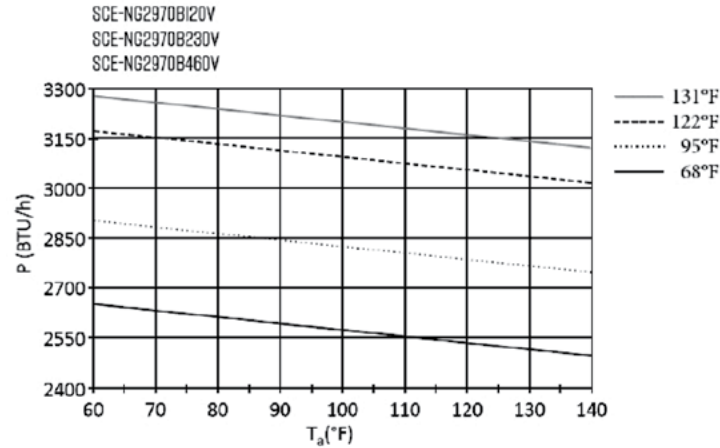
## Notes

For use in applications where low ambient is not a concern. Extended ambient temperature range +40 to 140 degrees F (Unit does not have Low ambient compressor heater)

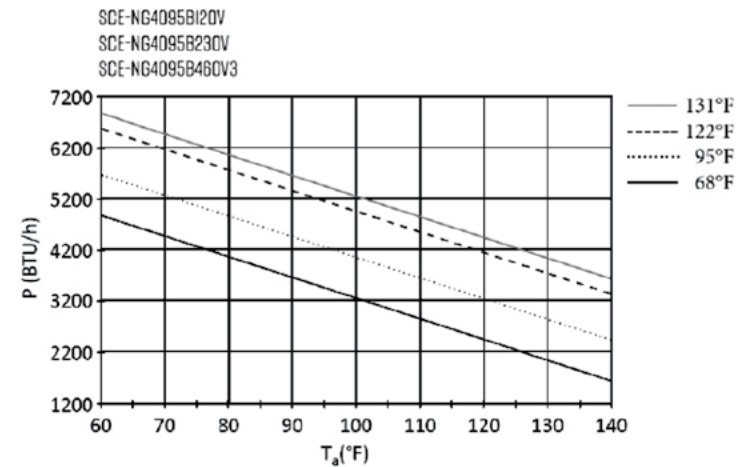
## IS19 Industry Standards

UL Listed & Recognized Type 3, 3R, 4 & 12  
IEC 60529 IP56

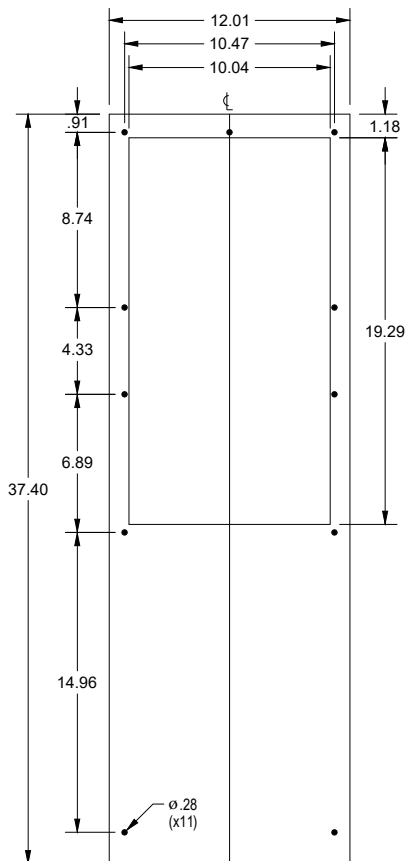
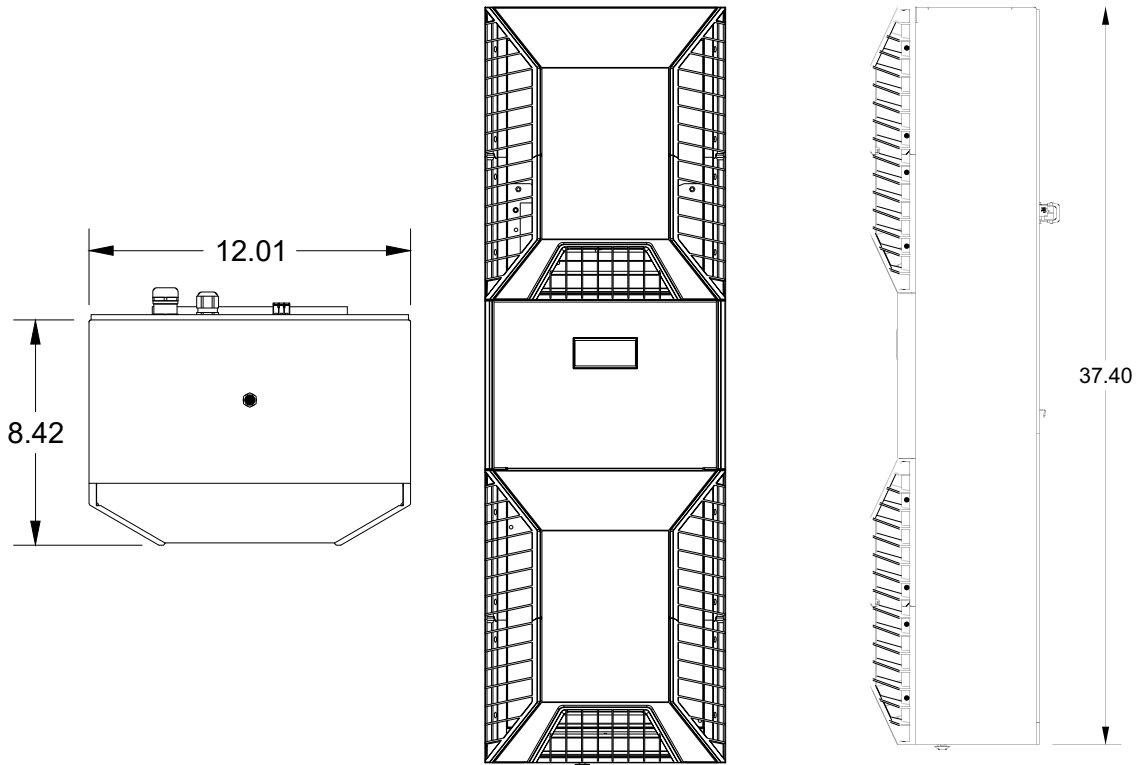
Catalog No.	BTU 95° @ 95°	Hz	Voltage	Rated Current 95°	Starting Current	Industry Standard
<a href="#">SCE-NG2970B120V</a>	2970	50/60	120V	4.2 A	28 A	IS19
<a href="#">SCE-NG2970B230V</a>	2970	50/60	230V	2.1 A @ 50 Hz 2.3 A @ 60 Hz	6 A	IS19
<a href="#">SCE-NG2970B460V</a>	2970	50/60	460V	1.2 A	4 A	IS19



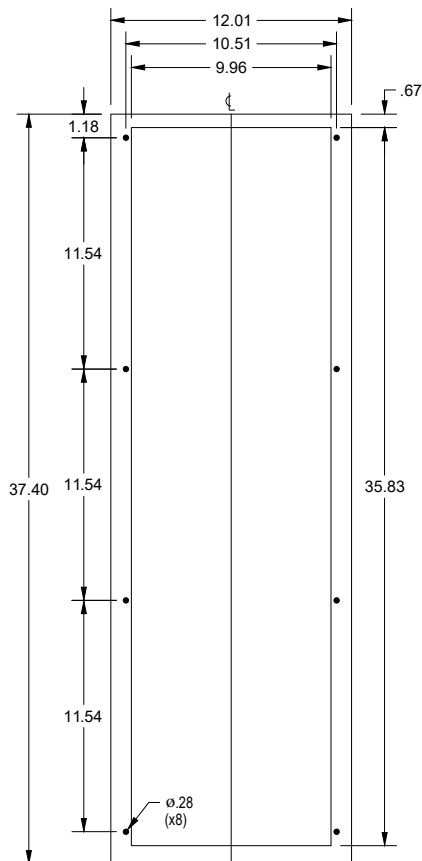
Catalog No.	BTU 95° @ 95°	Hz	Voltage	Rated Current 95°	Starting Current	Industry Standard
<a href="#">SCE-NG4095B120V</a>	4095	50/60	120V	6.4 A	30 A	IS19
<a href="#">SCE-NG4095B230V</a>	4095	50/60	230V	3.2 A	15 A	IS19
<a href="#">SCE-NG4095B460V3</a>	4095	50/60	460V	1.5 A	8.2 A	IS19



# NEXTGEN AIR CONDITIONER TECHNICAL DATA



CUTOUT FOR EXTERNAL INSTALLATION



CUTOUT FOR INTERNAL INSTALLATION

# NEXTGEN AIR CONDITIONER

## Application

NextGen Enviro-Therm® Air Conditioners are designed with an internal closed loop system to provide protection from dust, oil and water. For use in most industrial area or application where Low ambient is not a concern indoor and outdoor. Rugged, more energy efficient and reliable cooling system. For more details and installation information, consult our installation manual at [www.saginawcontrol.com](http://www.saginawcontrol.com).

## Construction

- Closed Loop Cooling System
- Hermetically sealed rotary compressor
- Internal Components are Corrosion Resistant
- Built in ModBus Communication RS485 serial
- Active condensate system
- Coils are designed as filterless units, fin spacing and hydrophobic Nano coating to help reduce chance of clogging when used filterless
- Washable, Reusable aluminum mesh filters included
- Screw fastened filter cover
- R134a Refrigerant Chlorine-free and harmless to the environment
- Easy Handling Removable Lifting Strap
- Mounting Flange hangers for easy installation, Included
- Digital Touchpad Programmable Controller, viewable from outside the Enclosure
- Controller Preset 95°F to cool adjustable 68°F to 122°F
- Temperature differential hysteresis 5.4°F
- High temp alarm Preset 131°F
- High performance ball bearing fans
- Door activated switch wiring provisions provided for easy installation

## Finish

Powder coated steel Cover RAL 7035 River Texture over Aluzinc coated steel

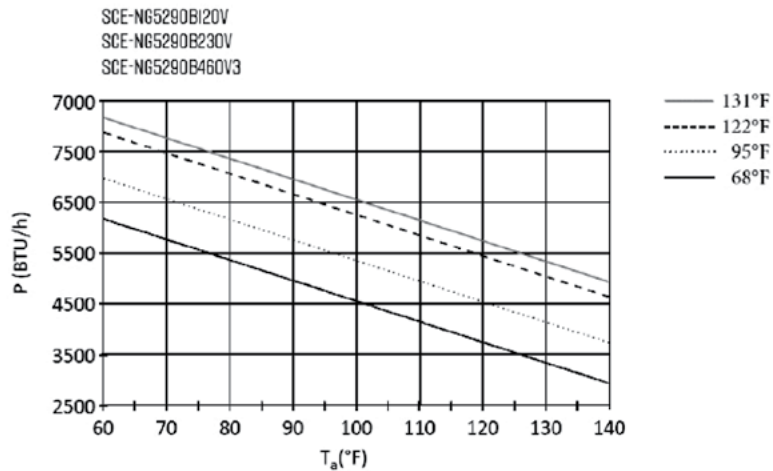
## Notes

For use in applications where low ambient is not a concern. Extended ambient temperature range +40 to 140 degrees F (Unit does not have Low ambient compressor heater)

## IS19 Industry Standards

UL Listed & Recognized Type 3, 3R, 4 & 12  
IEC 60529 IP56

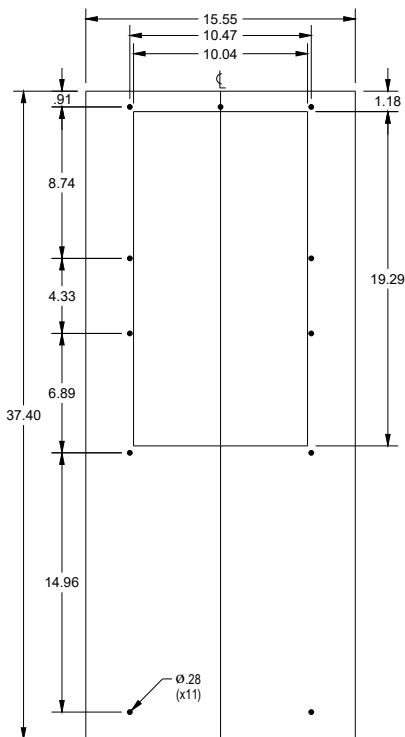
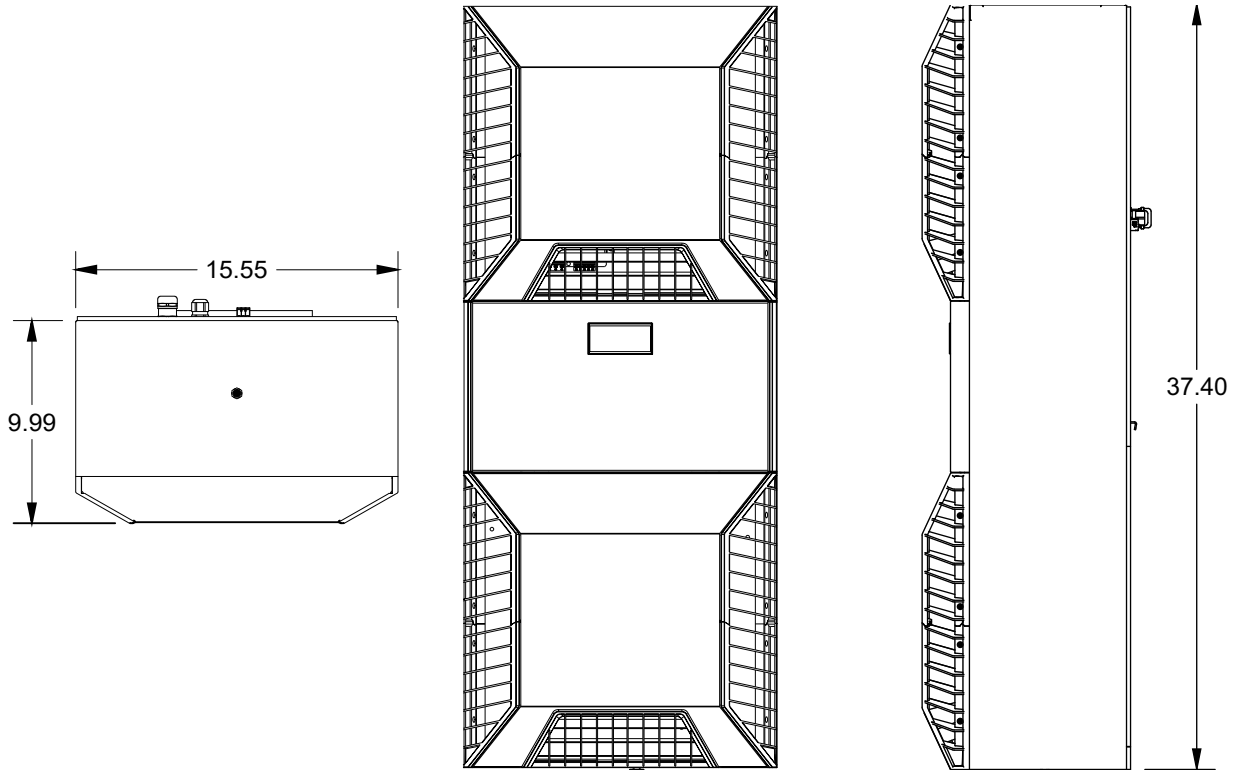
Catalog No.	BTU 95° @ 95°	Hz	Voltage	Rated Current 95°	Starting Current	Industry Standard
<a href="#">SCE-NG5290B120V</a>	5290	50/60	120V	7.2 A	32 A	IS19
<a href="#">SCE-NG5290B230V</a>	5290	50/60	230V	3.2 A @ 50 Hz 3.6 A @ 60 Hz	32 A	IS19
<a href="#">SCE-NG5290B460V3</a>	5290	50/60	460V	1.7 A	8.2 A	IS19



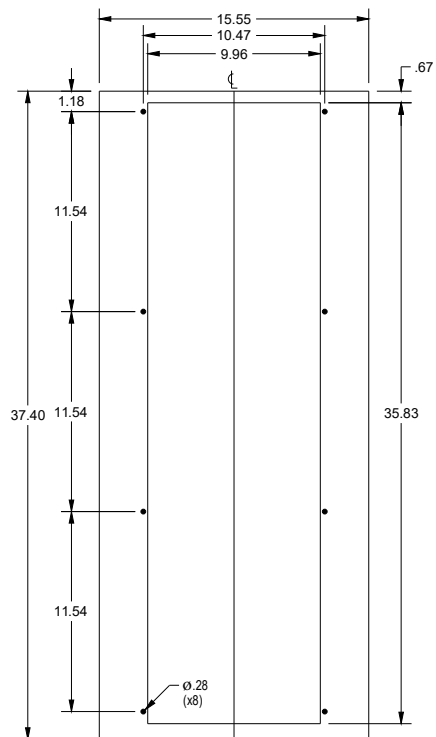


# NEXTGEN AIR CONDITIONER

## TECHNICAL DATA



CUTOUT FOR EXTERNAL INSTALLATION



CUTOUT FOR INTERNAL INSTALLATION

# NEXTGEN AIR CONDITIONER

## Application

NextGen Enviro-Therm® Air Conditioners are designed with an internal closed loop system to provide protection from dust, oil and water. For use in most industrial area or application were Low ambient is not a concern indoor and outdoor. Rugged, more energy efficient and reliable cooling system. For more details and installation information, consult our installation manual at [www.saginawcontrol.com](http://www.saginawcontrol.com).

## Construction

- Closed Loop Cooling System
- Hermetically sealed rotary compressor
- Internal Components are Corrosion Resistant
- Built in ModBus Communication RS485 serial
- Active condensate system
- Coils are designed as filterless units, fin spacing and hydrophobic Nano coating to help reduce chance of clogging when used filterless
- Washable, Reusable aluminum mesh filters included
- Screw fastened filter cover
- R134a Refrigerant Chlorine-free and harmless to the environment
- Easy Handling Removable Lifting Strap
- Mounting Flange hangers for easy installation, Included
- Digital Touchpad Programmable Controller, viewable from outside the Enclosure
- Controller Preset 95°F to cool adjustable 68°F to 122°F
- Temperature differential hysteresis 5.4°F
- High temp alarm Preset 131°F
- High performance ball bearing fans
- Door activated switch wiring provisions provided for easy installation

## Finish

Powder coated steel Cover RAL 7035 River Texture over Aluzinc coated steel

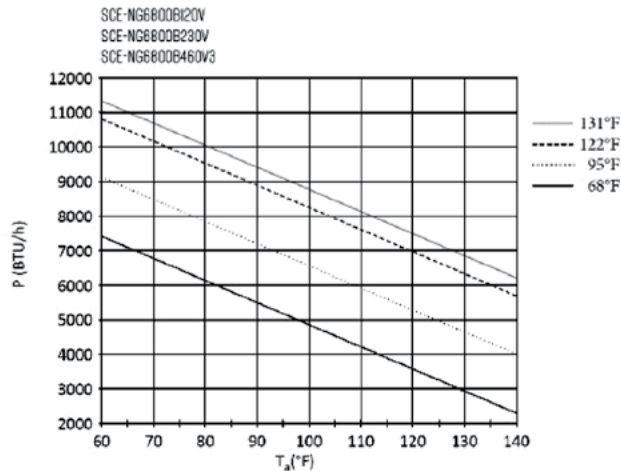
## Notes

For use in applications were low ambient is not a concern. Extended ambient temperature range +40 to 140 degrees F (Unit does not have Low ambient compressor heater)

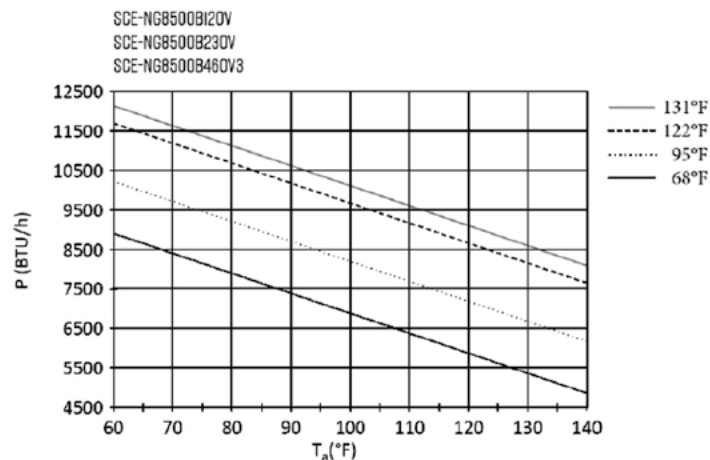
## IS19 Industry Standards

UL Listed & Recognized Type 3, 3R, 4 & 12  
IEC 60529 IP56

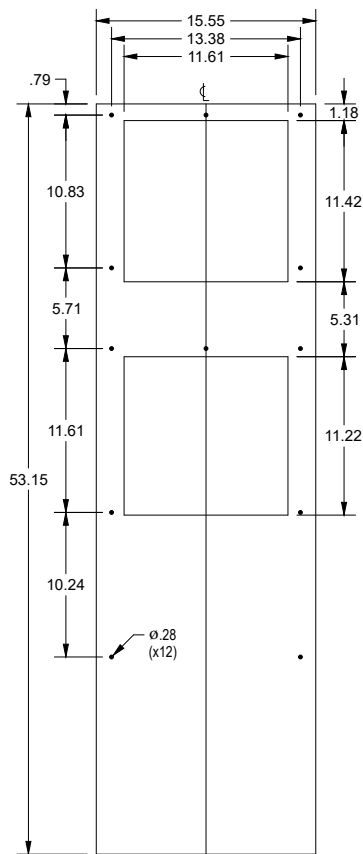
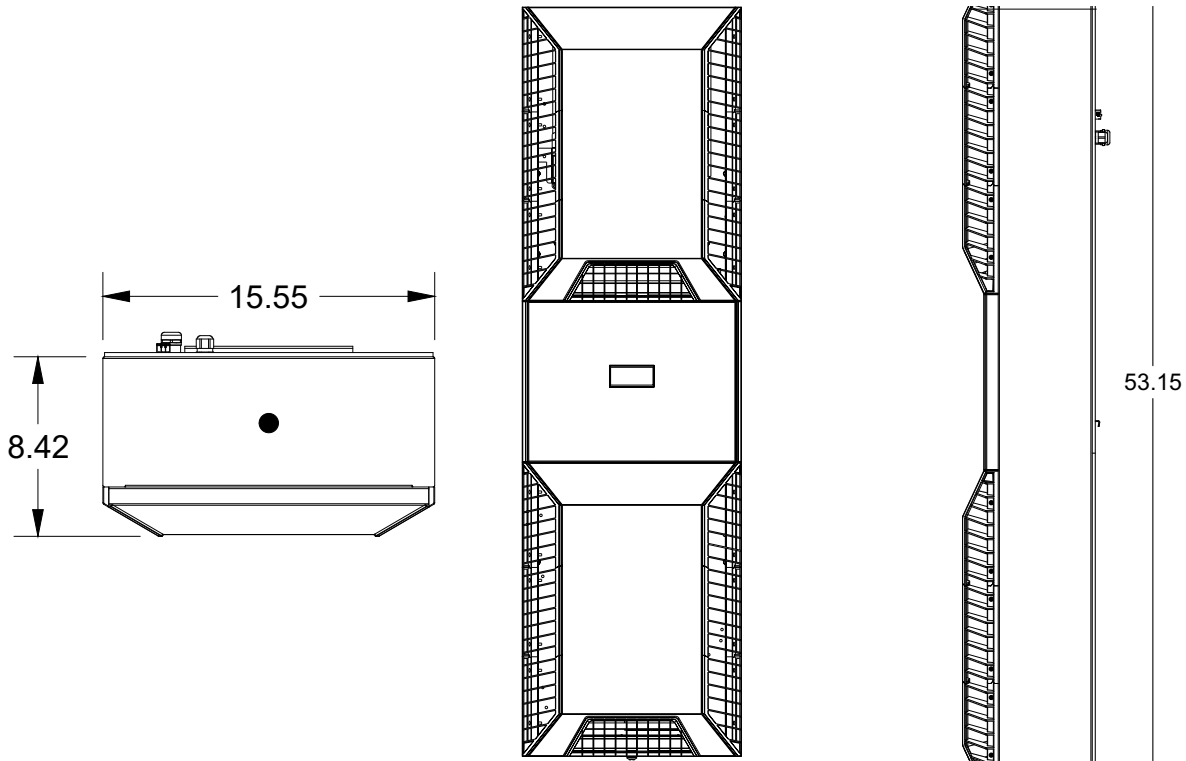
Catalog No.	BTU 95° @ 95°	Hz	Voltage	Rated Current 95°	Starting Current	Industry Standard
<a href="#">SCE-NG6800B120V</a>	6800	50/60	120V	8.3 A	32 A	IS19
<a href="#">SCE-NG6800B230V</a>	6800	50/60	230V	4.4 A	16 A	IS19
<a href="#">SCE-NG6800B460V3</a>	6800	50/60	460V	1.9 A @ 50 Hz 2.0 A @ 60 Hz	16 A	IS19



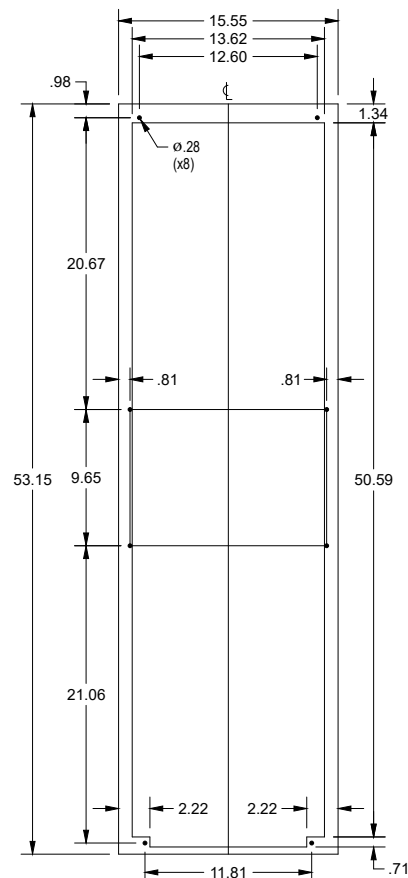
Catalog No.	BTU 95° @ 95°	Hz	Voltage	Rated Current 95°	Starting Current	Industry Standard
<a href="#">SCE-NG8500B120V</a>	8500	50/60	120V	10.8 A	11 A	IS19
<a href="#">SCE-NG8500B230V</a>	8500	50/60	230V	5.4 A	22.5 A	IS19
<a href="#">SCE-NG8500B460V3</a>	8500	50/60	460V	2.7 A @ 50 Hz 2.7 A @ 60 Hz	20 A	IS19



# NEXTGEN AIR CONDITIONER TECHNICAL DATA



CUTOUT FOR EXTERNAL INSTALLATION



CUTOUT FOR INTERNAL INSTALLATION

# NEXTGEN AIR CONDITIONER

Catalog No.	BTU 95° @ 95°	Hz	Voltage	Rated Current 95°	Starting Current	Industry Standard
<a href="#">SCE-NG14300B230V</a>	14300	50/60	230V	8.5 A @ 50 Hz 11 A @ 60 Hz	50 A	IS19
<a href="#">SCE-NG14300B460V3</a>	14300	50/60	460V	3.5 A @ 50 Hz 3.7 A @ 60 Hz	15 A	IS19

## Application

NextGen Enviro-Therm® Air Conditioners are designed with an internal closed loop system to provide protection from dust, oil and water. For use in most industrial area or application where Low ambient is not a concern indoor and outdoor. Rugged, more energy efficient and reliable cooling system. For more details and installation information, consult our installation manual at [www.saginawcontrol.com](http://www.saginawcontrol.com).

## Construction

- Closed Loop Cooling System
- Hermetically sealed rotary compressor
- Internal Components are Corrosion Resistant
- Built in ModBus Communication RS485 serial
- Active condensate system
- Coils are designed as filterless units, fin spacing and hydrophobic Nano coating to help reduce chance of clogging when used filterless
- Washable, Reusable aluminum mesh filters included
- Screw fastened filter cover
- R134a Refrigerant Chlorine-free and harmless to the environment
- Easy Handling Removable Lifting Strap
- Mounting Flange hangers for easy installation, Included
- Digital Touchpad Programmable Controller, viewable from outside the Enclosure
- Controller Preset 95°F to cool adjustable 68°F to 122°F
- Temperature differential hysteresis 5.4°F
- High temp alarm Preset 131°F
- High performance ball bearing fans
- Door activated switch wiring provisions provided for easy installation

## Finish

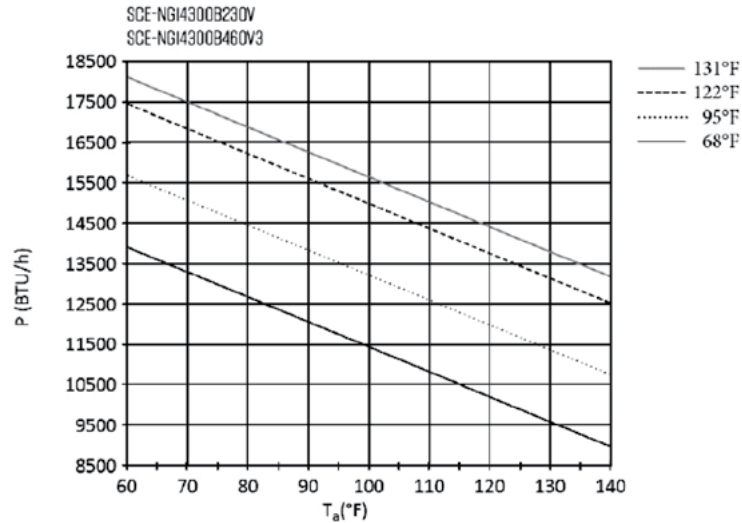
Powder coated steel Cover RAL 7035 River Texture over Aluzinc coated steel

## Notes

For use in applications where low ambient is not a concern. Extended ambient temperature range +40 to 140 degrees F (Unit does not have Low ambient compressor heater)

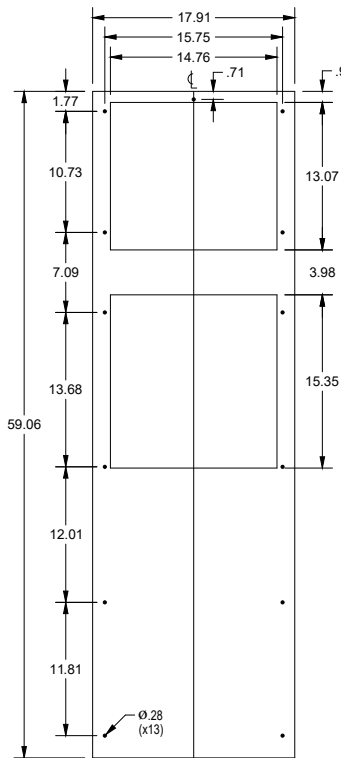
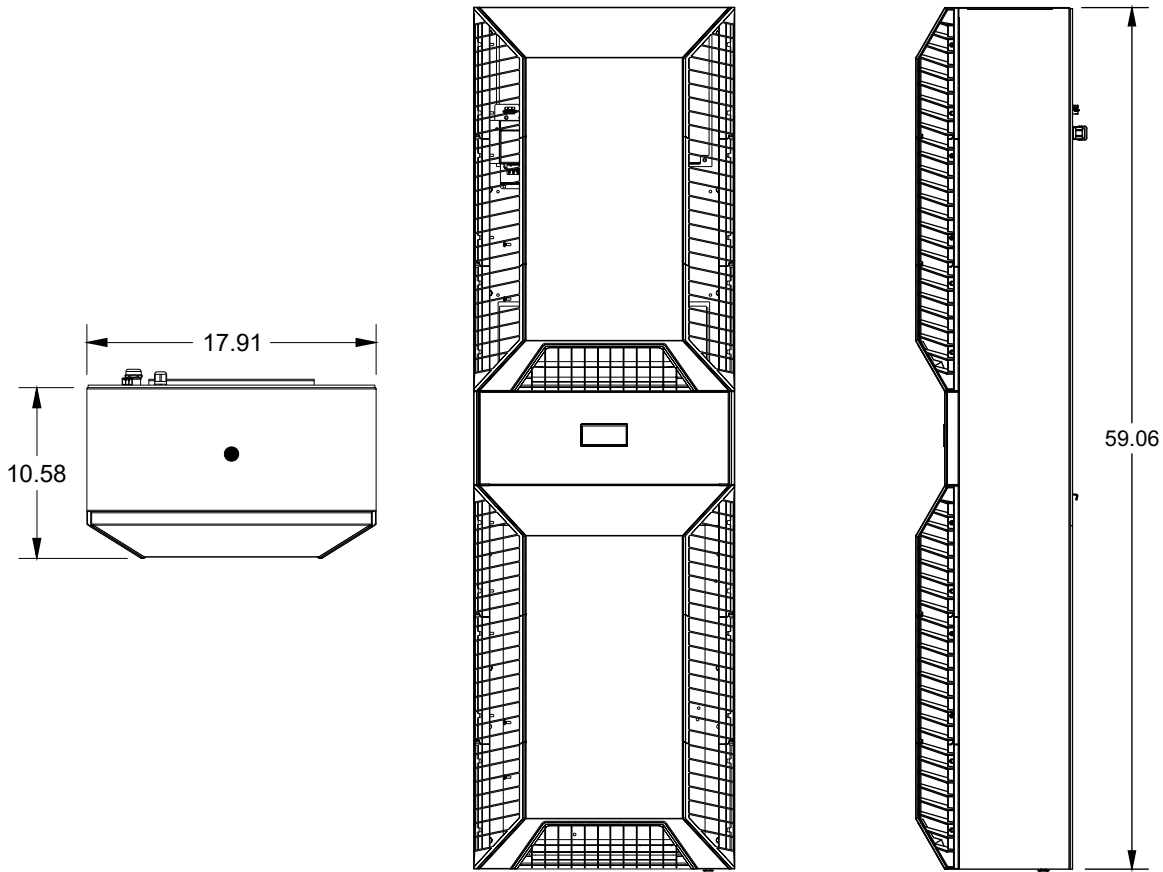
## IS19 Industry Standards

UL Listed & Recognized Type 3, 3R, 4 & 12  
IEC 60529 IP56

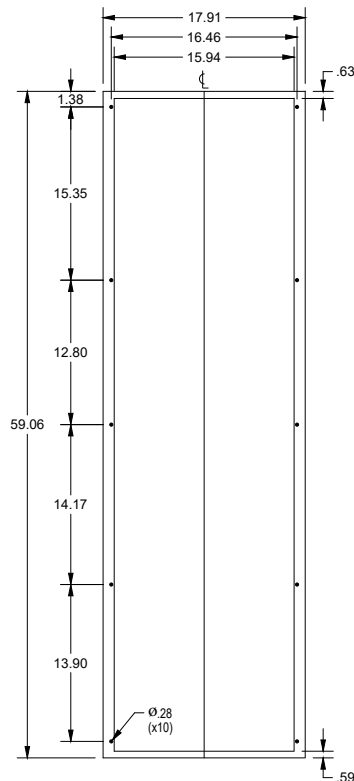


# NEXTGEN AIR CONDITIONER

## TECHNICAL DATA



CUTOUT FOR EXTERNAL INSTALLATION



CUTOUT FOR INTERNAL INSTALLATION

# ENVIRO-THERM® AIR CONDITIONERS

## TECHNICAL DATA

Powder coated steel cover RAL 7035 River Texture over Aluzinc coated steel

Type 4X units have #4 brushed finish 304 Stainless Steel cover and frame

Internal components are corrosion resistant

Closed Loop Cooling System

Hermetically sealed Reciprocating Compressor on units up to 5,100 BTU/hr

Hermetically sealed Rotary Compressor on units greater than 5,100 BTU/hr

Specially designed Active Condensate System using PTC heater element

Coils are designed as filterless units, fin spacing and Hydrophobic Nano Coating to help reduce chance of clogging

Washable, Reusable 8 layer aluminum mesh filters included

Captive screw fastened filter cover

Integrated compressor heater for low ambient temperatures and up to 2000 watts of enclosure heat

R134a Refrigerant – Chlorine-free and harmless to the environment

Easy Mounting Flange hangers for installation included

Digital Touchpad Programmable Controller, viewable and accessible from inside enclosure

Controller preset 95°F to cool – adjustable 68°F to 122°F

Preset at 41°F to heat – adjustable -4°F to 122°F

Temperature differential hysteresis 5.4°F

High temp alarm preset 131°F

High performance ball bearing fans

Door activated switch wiring provisions provided for easy installation

Cage clamp terminal connector

Oil and water resistant gaskets installed

# NEXTGEN AIR CONDITIONER

## TECHNICAL DATA

Powder coated steel cover RAL 7035 River Texture over Aluzinc coated steel

Designed to be Surface Mounted or Recessed Mounted.

Built in ModBus Communication RS485 serial port (Optional Ethernet Converter accessory available)

Micro channel condenser allows a significant reduction of refrigerant charge, resulting in lower CO2 foot print.

Internal components are corrosion resistant

Closed Loop Cooling System

Hermetically sealed rotary compressor

Specially designed Active Condensate System

Coils are designed as filterless units, fin spacing and Hydrophobic Nano Coating to help reduce chance of clogging

Washable, Reusable aluminum mesh filters included

Captive screw fastened filter cover

R134a Refrigerant – Chlorine-free and harmless to the environment ADD To

Easy handling removable lifting strap

Easy Mounting Flange hangers for installation included

Digital Touchpad Programmable Controller, viewable and accessible from outside enclosure

Controller preset 95°F to cool – adjustable 68°F to 122°F

Temperature differential hysteresis 5.4°F

High temp alarm preset 131°F

High performance ball bearing fans

Door activated switch wiring provisions provided for easy installation

Oil and water resistant gaskets installed

UL60335-2-40 Certified. This allows for a minimum fuse rating of 15 Amp, so any unit with lesser amps are rated for 15A fuse. This reduces issues with nuisance tripping of low amp time delayed fuses common in the Class CC fuse trip curve.



*Your Enclosure Source*®

# NOTES





*Your Enclosure Source*®

# NOTES

# ENVIRO-THERM® THERMAL MANAGEMENT THERMOELECTRIC COOLERS

## Application

Enviro-Therm® Thermoelectric Coolers also known as Peltier units. Designed with an internal closed loop system, Thermoelectric coolers have very few moving parts and no piping, leaving less room for failure. The compact design is great for small enclosures. For indoor and outdoor applications. Protects from dust, oil and water. Rugged, energy efficient, and reliable cooling system minimizing downtime. For more details and installation information, consult our installation manual at [www.saginawcontrol.com](http://www.saginawcontrol.com).

## Construction

- Heavy gauge stainless steel.
- DC Powered for 24V applications.
- Mount vertically or horizontally.
- Filterless design reduces maintenance requirements.
- Contains no compressor or refrigerant, making it earth friendly.
- Pre-wired with simple terminal block for easy wiring connections.
- Operates on the Peltier effect for cooling or heating.
- Terminal block connection.
- Operating temperature range from -4°F to 149°F.

## Electrical

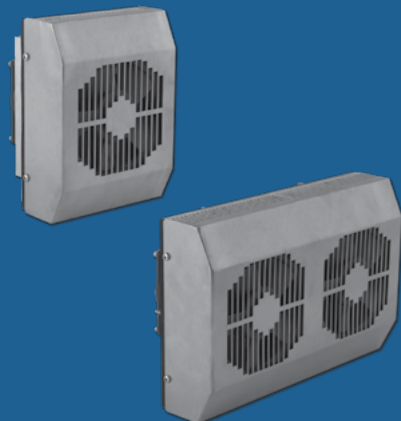
- cULus Listed
- CE

## Finish

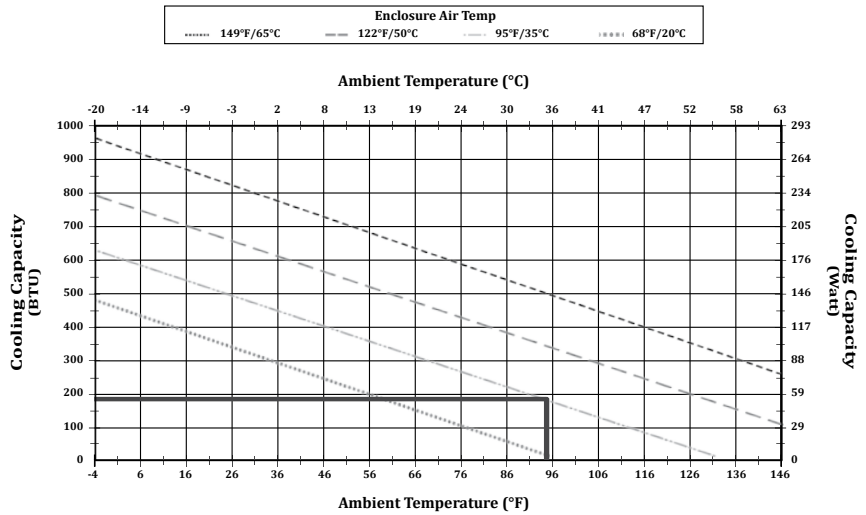
#4 brushed finish 304 Stainless Steel

## IS20 Industry Standards

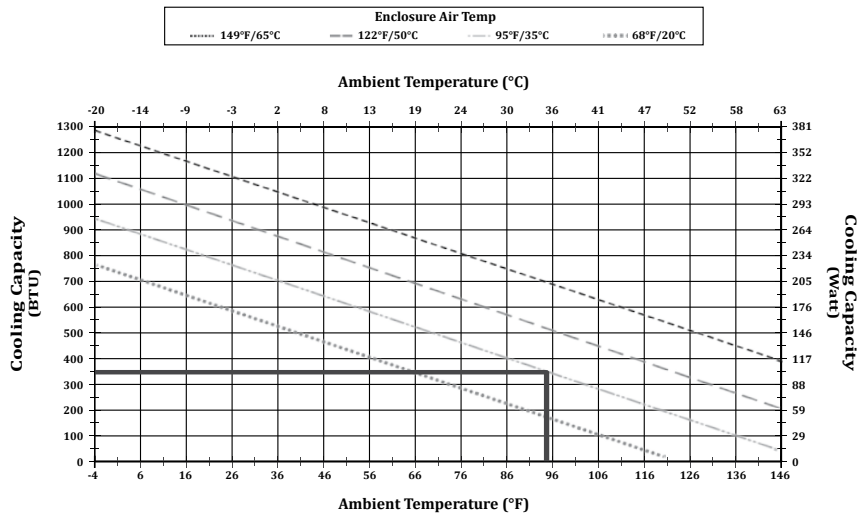
UL Recognized Type 3, 3R, 4, 4X & 12 IEC 60529 IP56



Catalog No.	Height (A)	Width (B)	Depth (C)	BTU 95° @ 95°	Voltage	Line Amps	Startup Amps
<a href="#">SCE-TE170B24VSS</a>	8.11	6.06	5.32	170	24 VDC	2.4	3.7



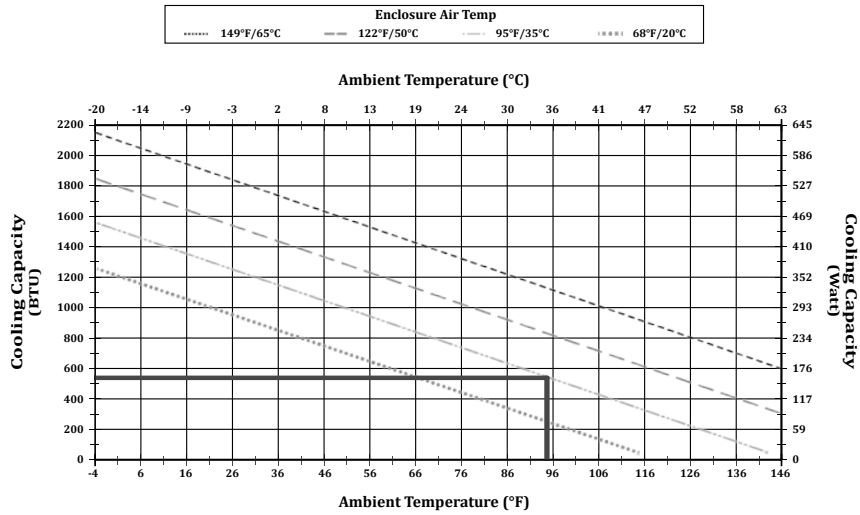
Catalog No.	Height (A)	Width (B)	Depth (C)	BTU 95° @ 95°	Voltage	Line Amps	Startup Amps
<a href="#">SCE-TE340B24VSS</a>	7.87	11.97	5.43	340	24 VDC	4.8	7.4



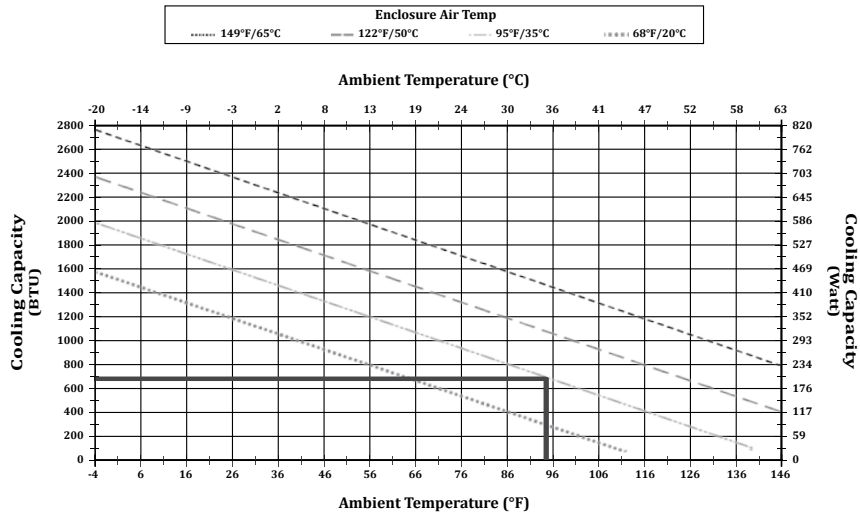
# ENVIRO-THERM® THERMAL MANAGEMENT

## THERMOELECTRIC COOLERS

Catalog No.	Height (A)	Width (B)	Depth (C)	BTU 95° @ 95°	Voltage	Line Amps	Startup Amps
<a href="#">SCE-TE510B24VSS</a>	15.75	7.09	6.73	510	24 VDC	7.0	11.0

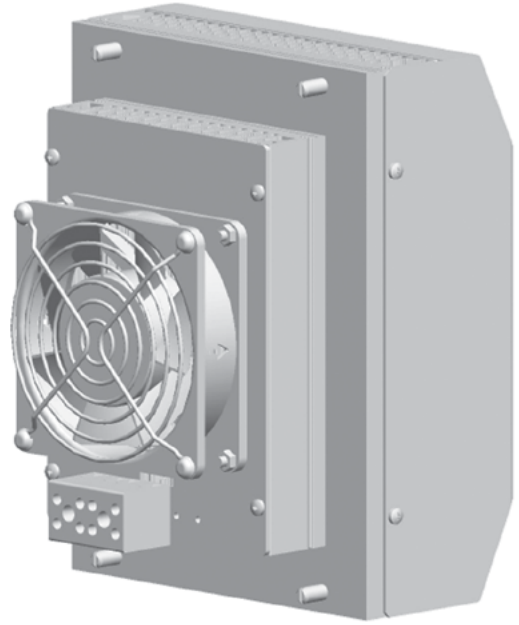
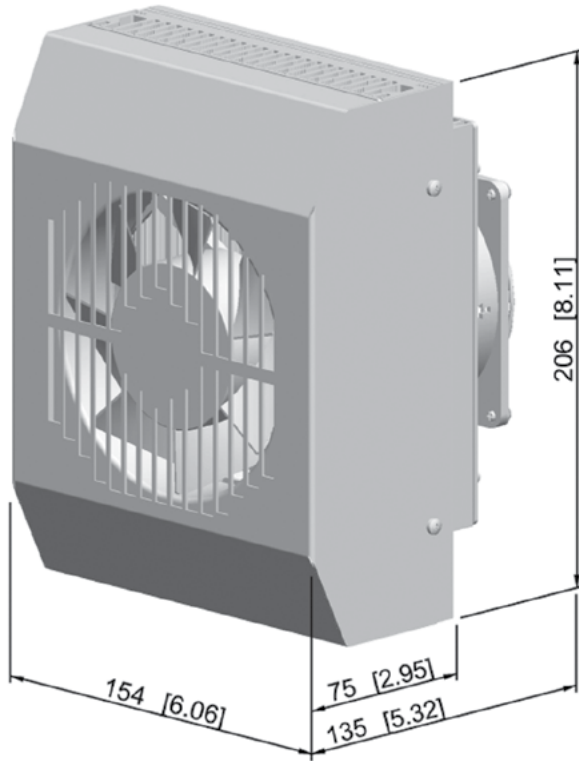


Catalog No.	Height (A)	Width (B)	Depth (C)	BTU 95° @ 95°	Voltage	Line Amps	Startup Amps
<a href="#">SCE-TE680B24VSS</a>	15.75	7.09	6.73	680	24 VDC	10.8	17.0

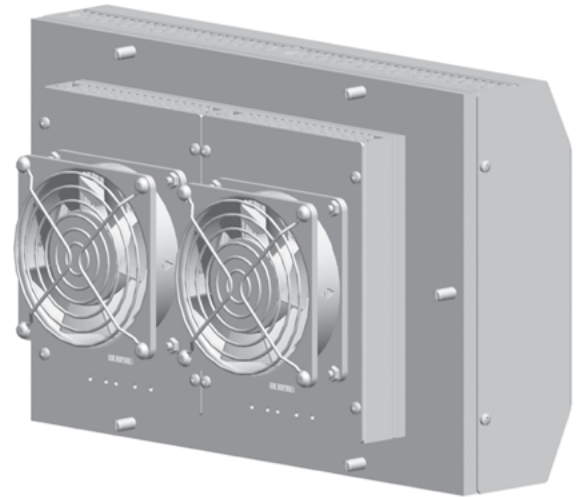
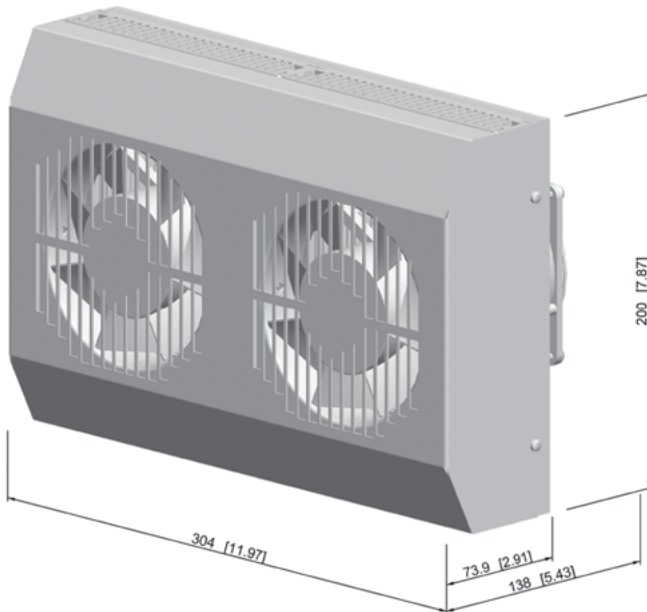


# THERMOELECTRIC COOLERS

## SCE-TE170B24VSS

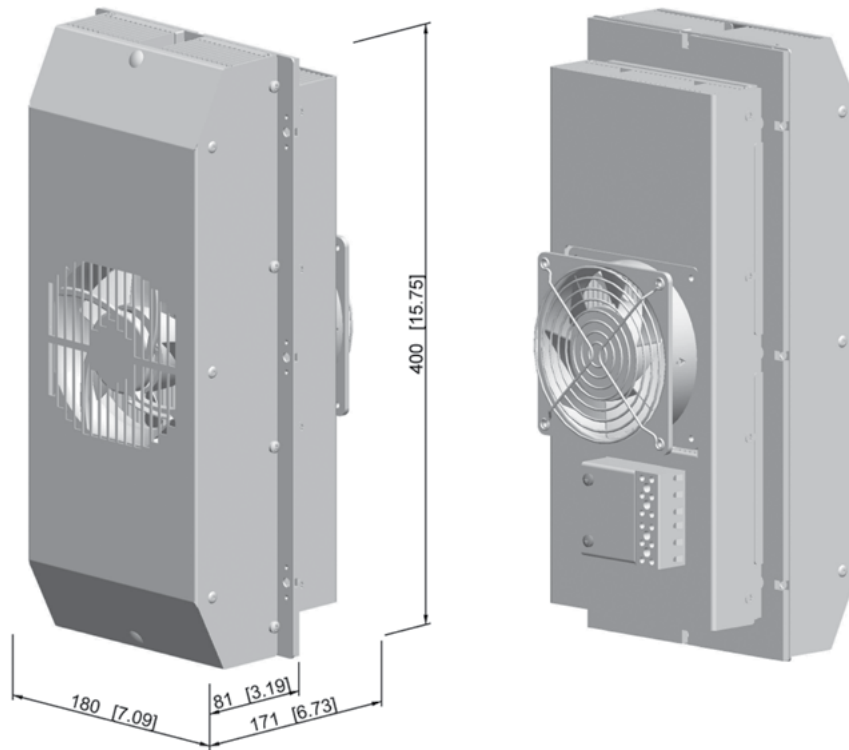


## SCE-TE340B24VSS

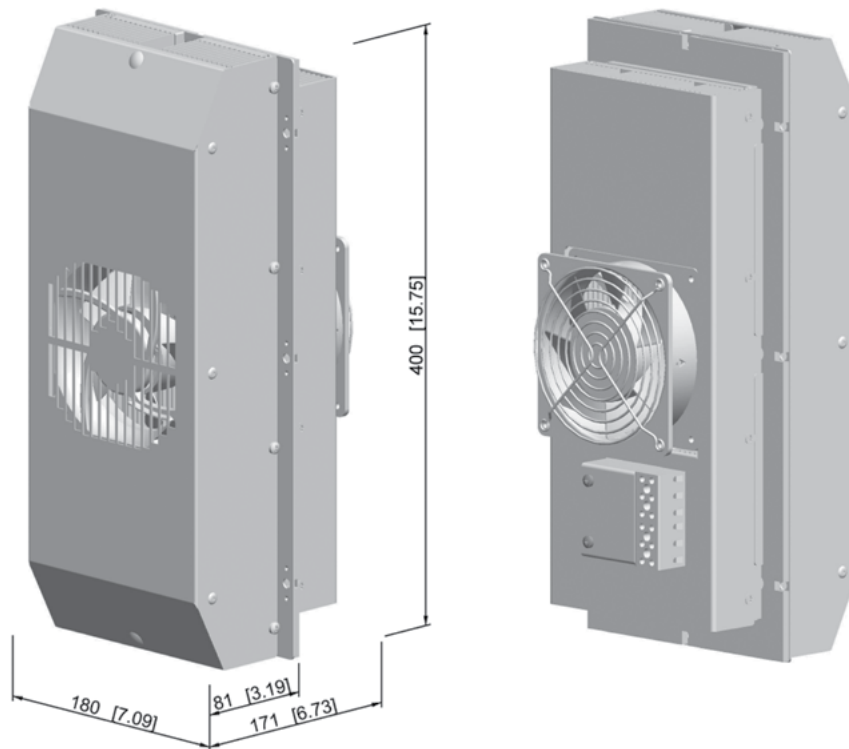


# THERMOELECTRIC COOLERS

## SCE-TE510B24VSS



## SCE-TE680B24VSS





*Your Enclosure Source*®

# NOTES



*Your Enclosure Source*®

# NOTES

# ENVIRO-THERM® THERMAL MANAGEMENT

## Application

Enviro-Therm® Heat Exchangers are designed for High-Efficiency and High-Performance Air-to-Air Heat Transfer. Designed with an internal closed loop system to provide protection from dust, oil and water. For indoor and outdoor application. Rugged, energy efficient, and reliable cooling system. For more details and installation information, consult our installation manual at [www.saginawcontrol.com](http://www.saginawcontrol.com).

## Construction

- Powder coated steel Cover RAL 7035 River Texture over Aluzinc coated steel.
- Aluzinc coated steel internal parts.
- Counter-flow core.
- Filter-less design – low maintenance Counterflow heat exchangers are finless, reducing the chances of clogging, and are easy to clean.
- Threaded mounting studs provided for simple installation.
- Digital Touchpad Programmable Controller.
- Controller preset 95°F to cool – adjustable 68°F to 122°F.
- Temperature differential hysteresis 5.4°F.
- High temp alarm preset 131°F.
- High performance ball bearing fans.
- Door activated switch wiring provisions provided for easy installation.
- Cage clamp terminal connector.

## Electrical

- cULus Listed
- CE
- Surge protected and EMI compliant - IEC61000 and CE requirement

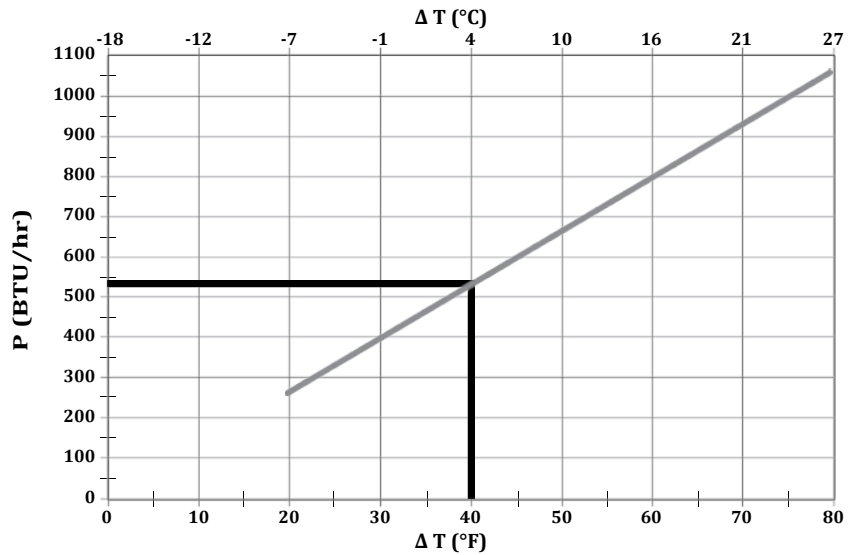
## IS22 Industry Standards

UL Listed & Recognized Type 3R & 12  
IEC 60529 IP54

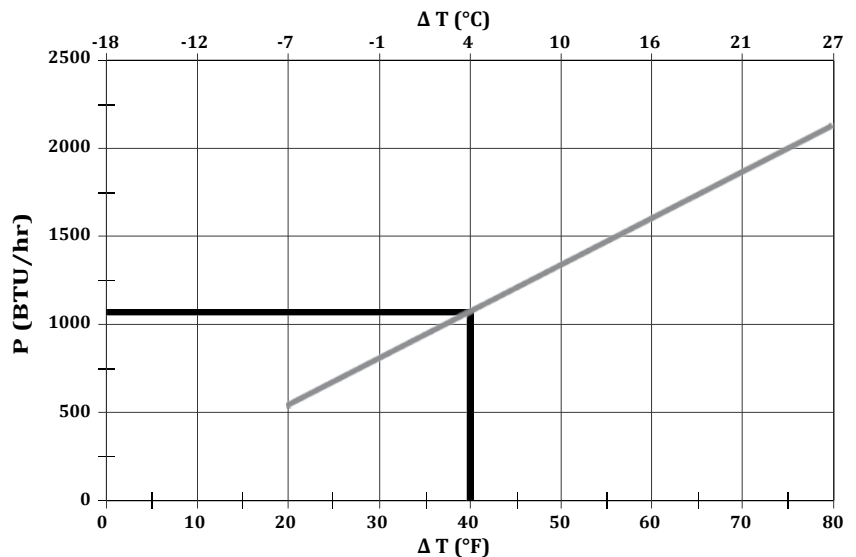


## HEAT EXCHANGER

Catalog No.	Height (A)	Width (B)	Depth (C)	Cooling Capacity	Voltage	Line Amps	Startup Amps
<a href="#">SCE-HE04W120V</a>	20.00	7.50	5.95	4 (W/F°)	115V	0.48	.70



Catalog No.	Height (A)	Width (B)	Depth (C)	Cooling Capacity	Voltage	Line Amps	Startup Amps
<a href="#">SCE-HE08W120V</a>	29.50	10.00	5.95	8 (W/F°)	115V	0.48	0.70

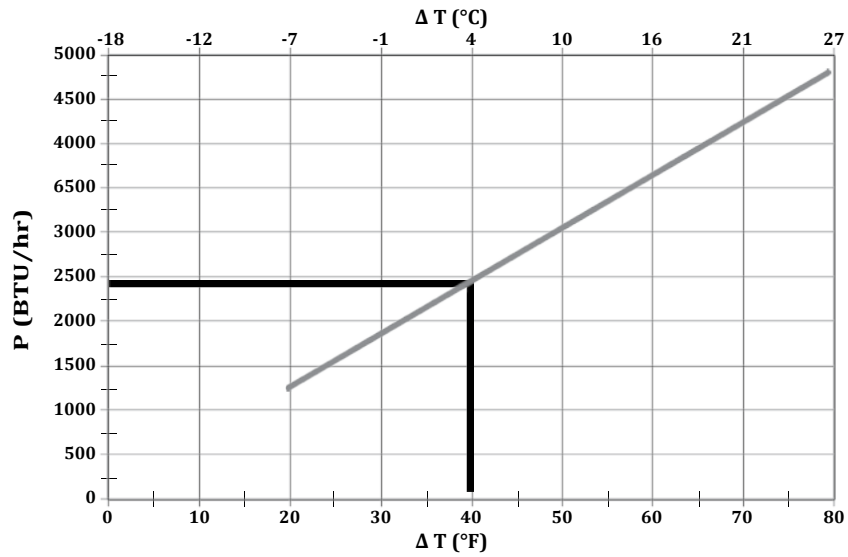




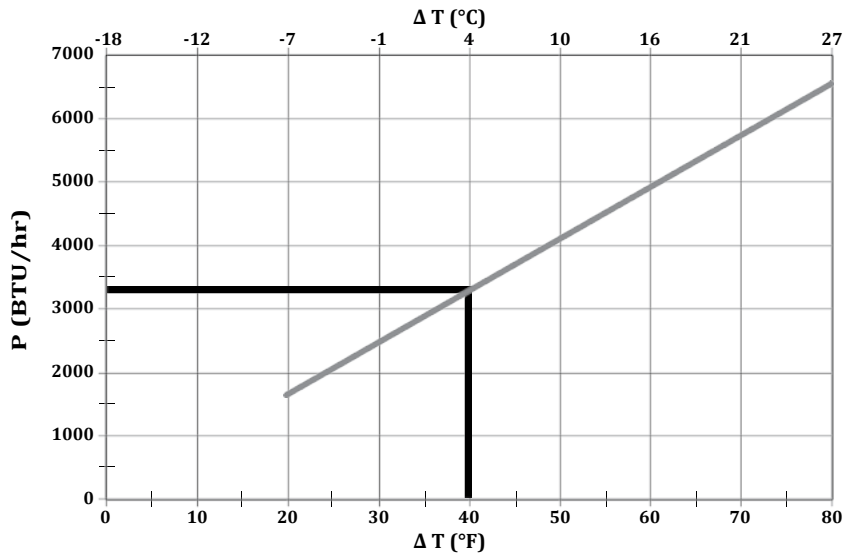
# ENVIRO-THERM® THERMAL MANAGEMENT

## HEAT EXCHANGER

Catalog No.	Height (A)	Width (B)	Depth (C)	Cooling Capacity	Voltage	Line Amps	Startup Amps
<a href="#">SCE-HE18W120V</a>	29.66	10.24	5.95	18 (W/F°)	115V	1.40	1.60



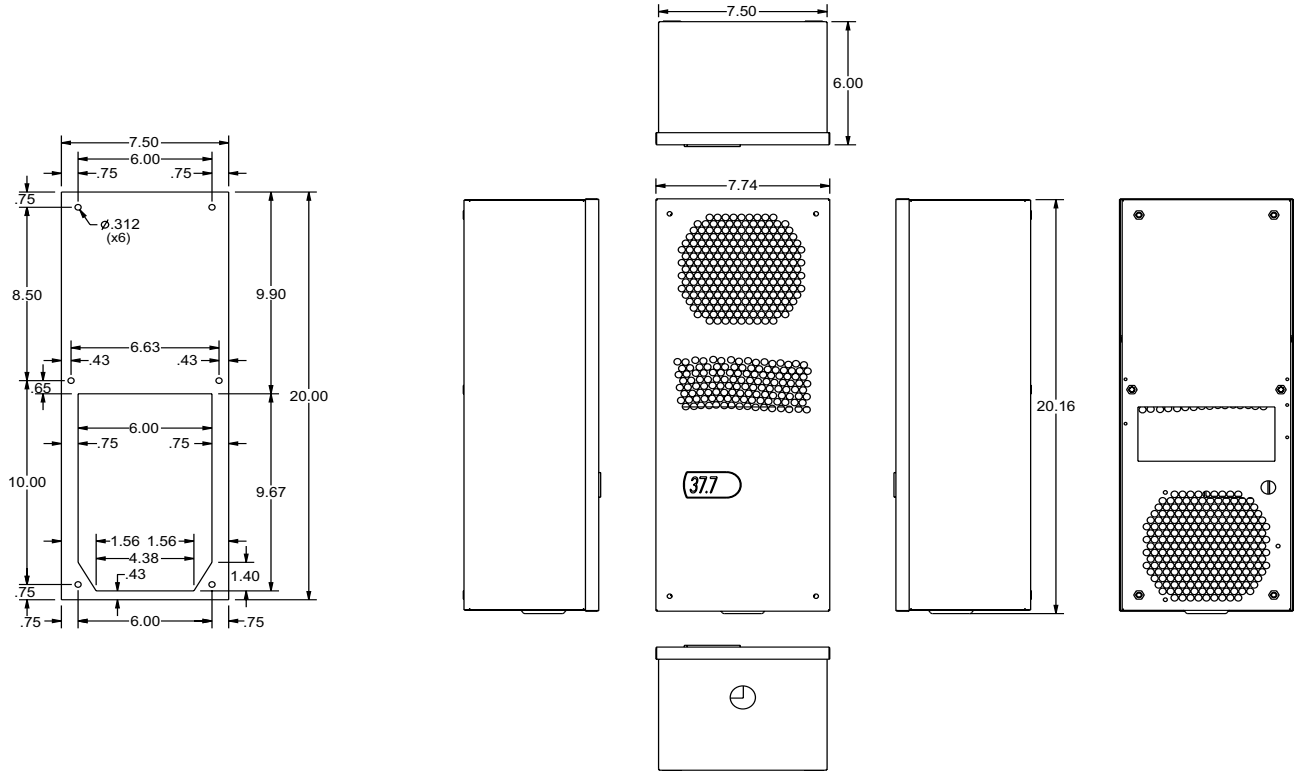
Catalog No.	Height (A)	Width (B)	Depth (C)	Cooling Capacity	Voltage	Line Amps	Startup Amps
<a href="#">SCE-HE24W120V</a>	47.16	10.24	5.95	24 (W/F°)	115V	1.80	2.20



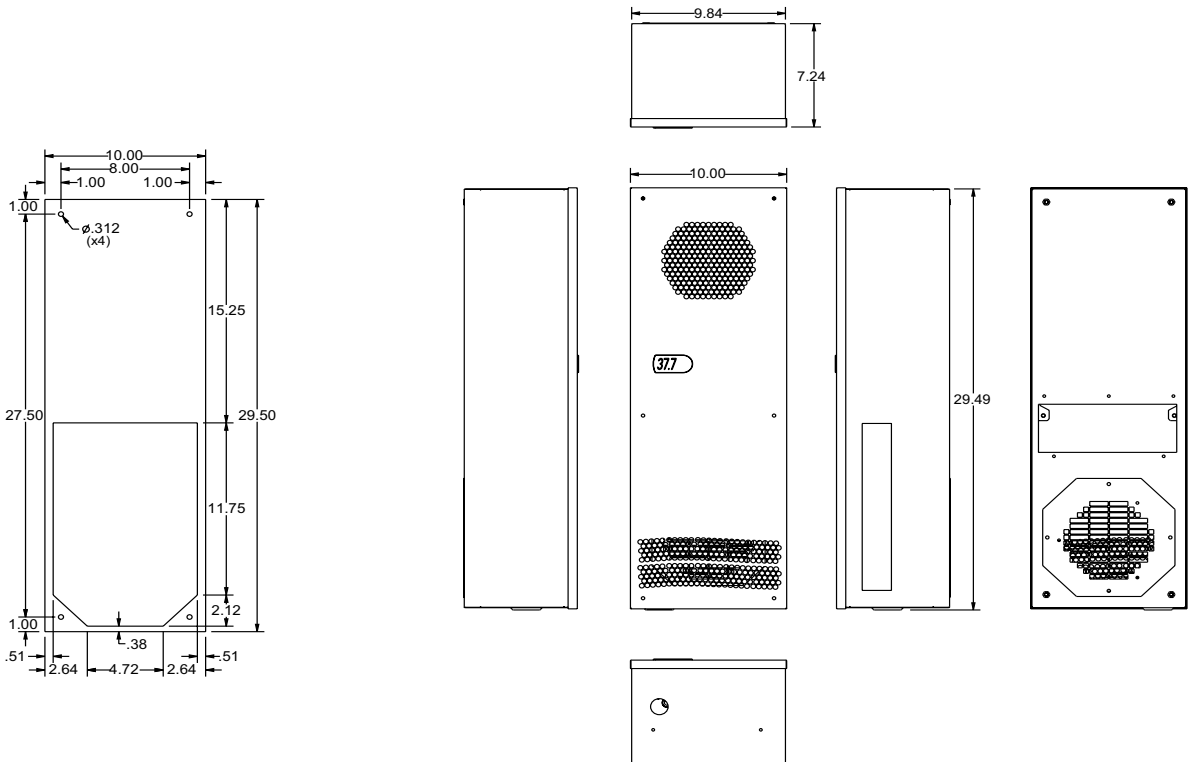
# ENVIRO-THERM® HEAT EXCHANGERS

## TECHNICAL DATA

### SCE-HE04WI20V



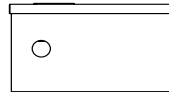
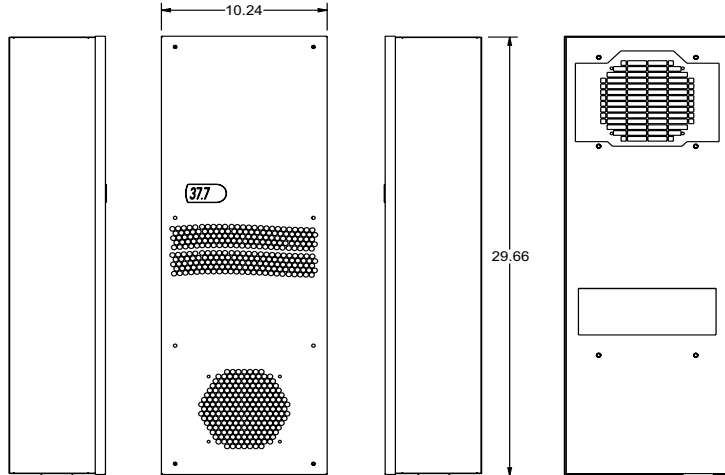
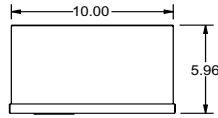
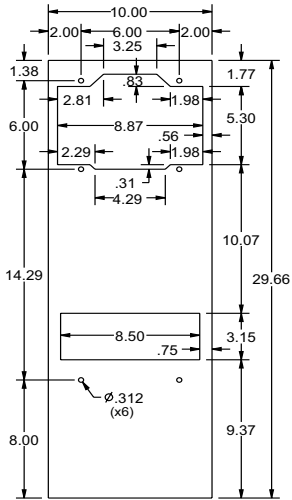
### SCE-HE08WI20V



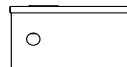
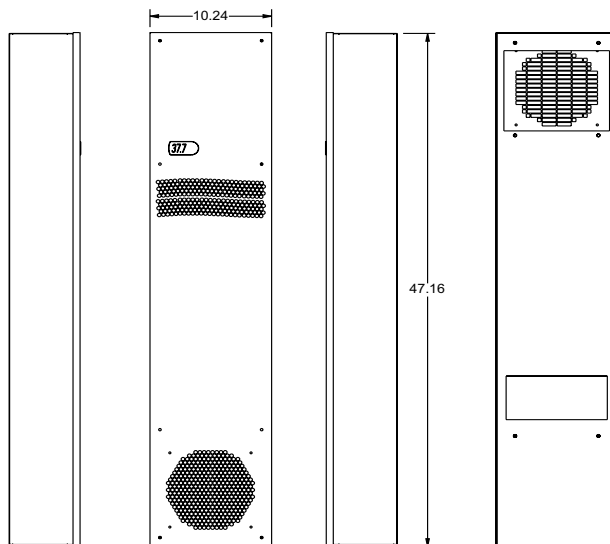
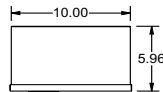
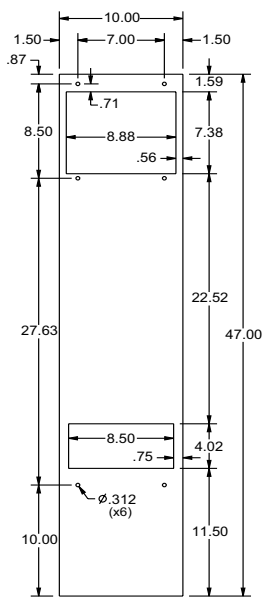
# ENVIRO-THERM® HEAT EXCHANGERS

## TECHNICAL DATA

### SCE-HE18WI20V



### SCE-HE24WI20V



# ENVIRO-THERM® THERMAL MANAGEMENT



## THERMOSTAT

Catalog No.	Used With	Height (A)	Width (B)	Depth (C)	Contact	Product Code
<a href="#">SCE-TEMNC</a>	Heater	2.40	1.26	1.42	NC	P1
<a href="#">SCE-TEMNO</a>	Fan	2.40	1.26	1.42	NO	P1

Designed to regulate air temperature in enclosures that operate with heaters or fans. This mechanical bi-metallic thermostat has a set point range of 30° to 140°F and is easily installed on 35 mm mounting rail. (NC) Contact normally closed, or (NO) Contact normally open, switch capacity 10 amp 120-250 VAC Resistive load and 1 amp 120-250V AC Inductive load, 1.25 amp 24V DC.

IS 24 - Industry Standards  
UL Listed



## DUAL THERMOSTAT

Catalog No.	Used With	Height (A)	Width (B)	Depth (C)	Contact	Product Code
<a href="#">SCE-TEMDD</a>	Heater & Fan	2.00	2.00	2.00	NC & NO	P1

Designed to regulate air temperature in enclosures that operate with heaters and fans. This mechanical bi-metallic thermostat has a set point range of 30° to 140°F and is easily installed on 35 mm mounting rail. Dual functions as (NC) contact normally closed, or (NO) contact normally open, switch capacity 10 amp 120-250 VAC Resistive load and 1 amp 120-250V AC Inductive load, 1.25 amp 24V DC.

IS 24 - Industry Standards  
UL Listed



## CHANGEOVER THERMOSTAT

Catalog No.	Used With	Height (A)	Width (B)	Depth (C)	Contact	Product Code
<a href="#">SCE-CTEM</a>	Heater, Fan, Light	2.36	1.54	2.10	NC & NO	P1

Designed to regulate air temperature in enclosures, can operate with heaters, fans or warning lights. Used to switch from heating to cooling. Switches one common contact immediately from one state (NC) to the other (NO) and vice versa. Has a set point range of 32°F to 140°F.

IS 24 - Industry Standards  
UL Listed



## ELECTRONIC THERMOSTAT 24VDC

Catalog No.	Used With	Height (A)	Width (B)	Depth (C)	Product Code
<a href="#">SCE-TEMEVDC</a>	Thermoelectric Coolers	2.36	1.54	1.53	P1

Designed to regulate air temperature in enclosures and operate with the Thermoelectric Coolers. This electronic thermostat has a set point range of 14° to 176°F and is easily installed on 35 mm mounting rail. 24V DC 16A.

IS 24 - Industry Standards  
UL Listed



## MECHANICAL HYGROSTAT

Catalog No.	Used With	Height (A)	Width (B)	Depth (C)	Product Code
<a href="#">SCE-HYGRO</a>	Heater, Fan, Light	3.00	2.00	2.00	P1

Designed to regulate relative air humidity in enclosures. Mechanical hygrometers can operate with heaters, fans, or warning lights. Adjustable set point range of 40% to 90% humidity, maximum switch capacity 250V AC.

IS 24 - Industry Standards  
UL Listed

## BREATHER VENT

Catalog No.	Height (A)	Width (B)	Depth (C)	Typical Application Location	Product Code
<a href="#">SCE-BVK</a>	2.75	2.00	1.50	Side/Bottom	P1
<a href="#">SCE-BVKD</a>	.75	1.00	1.00	Bottom	P1

Designed for indoor or outdoor applications to handle the large negative pressure differential caused in a tightly sealed enclosure in extreme weather conditions or wash down applications that draw water into the enclosure. Adding a Breather Vent will equalize this pressure differential. Installed on the side of your enclosure as a breather or installed on the bottom as a drain and vent.

Made of corrosion and UV resistant Polycarbonate material.  
UL Listed 1, 2, 3, 3R, 3RX, 3S, 4, 4X & 12

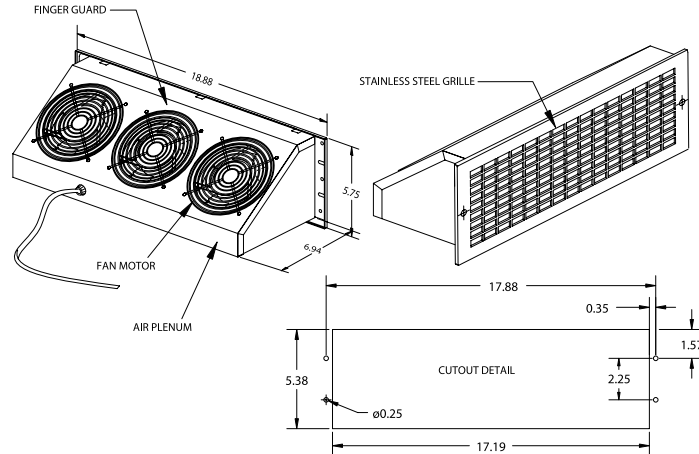


## BLOWER PACKAGE

Catalog No.	Height (A)	Width (B)	Depth (C)	CFM	Voltage	Product Code
<a href="#">SCE-BP115</a>	5.75	18.88	6.95	190/230	115	P1
<a href="#">SCE-BP230</a>	5.75	18.88	6.95	190/290	230	P1

Designed for use in enclosures that require cooling but have limited space. Consists of a washable aluminum air filter, steel air plenum, removable stainless steel grille. Grille has captivated thumb nuts for easy access to the filter from the outside. Fan is 115 or 230 volt AC 50/60 Hertz (Hz). The 125 degree angled design provides greater air movement within the enclosure. Air plenum is ANSI 61 gray powder coated. UL listed motor.

IS 24 - Industry Standards  
UL Listed



## BLOWER PACKAGE (FILTER AND GRILLE)

Catalog No.	Height (A)	Width (B)	Depth (C)	Product Code
<a href="#">SCE-FGABP</a>	5.75	18.88	0.22	P1

Designed for use with SCE Fan Packages and Filter and Grille Package. Aluminum washable filters provide good air filtration.

## REMOTE TEMPERATURE DISPLAY

Catalog No.	Height (A)	Width (B)	Depth (C)	Product Code
<a href="#">SCE-RMTD</a>	1.52	3.17	3.31	P1



## ETHERNET CONVERTER KIT

Catalog No.	Height (A)	Width (B)	Depth (C)	Product Code
<a href="#">SCE-ETHCK</a>	3.75	2.60	3.00	P1

Designed to be used with the NextGen Air Conditioners to convert Modbus to an ethernet with power supply for 120V and 230V. Provisions and hardware included for fixed screw mount or din rail mount.



# ENVIRO-THERM® THERMAL MANAGEMENT

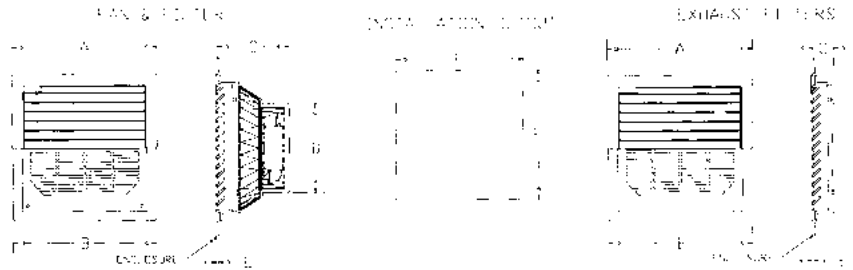
## TYPE 12 FANS & FILTERS - BLACK

Easy to install snap fit design for use in enclosures that require cooling but have limited space in NEMA 1 and 12 applications. Housing and grille are made of black heat resistant (ABS-FR), self-extinguishing material. Fans are available in 115, 230 or 460 volt AC, 50/60 Hertz (Hz) single phase or 24 volt DC.

UL Listed Type 12



Catalog No.	Height (A)	Width (B)	Depth (C)	CFM	Cutout Size (F)	Product Code
<a href="#">SCE-N12FA33</a>	4.20	4.20	3.10	13/15	3.75 sq.	P1
<a href="#">SCE-N12FA33-230</a>	4.20	4.20	3.10	13/15	3.75 sq.	P1
<a href="#">SCE-N12FA33-24VDC</a>	4.20	4.20	3.10	20	3.75 sq.	P1
<a href="#">SCE-N12FA44</a>	5.91	5.91	2.88	26/29	5.03 sq.	P1
<a href="#">SCE-N12FA44-230</a>	5.91	5.91	2.88	39/47	5.03 sq.	P1
<a href="#">SCE-N12FA44-24VDC</a>	5.91	5.91	2.88	28	5.03 sq.	P1
<a href="#">SCE-N12FA66</a>	9.84	9.84	4.91	135/159	8.91 sq.	P1
<a href="#">SCE-N12FA66-230</a>	9.84	9.84	4.40	135/159	8.91 sq.	P1
<a href="#">SCE-N12FA66-24VDC</a>	9.84	9.84	4.40	86	8.91 sq.	P1
<a href="#">SCE-N12FA1010</a>	12.80	12.80	6.30	306/341	11.57 sq.	P1
<a href="#">SCE-N12FA1010-230</a>	12.80	12.80	6.30	306/341	11.57 sq.	P1
<a href="#">SCE-N12FA10HF</a>	12.80	12.80	6.24	483/547	11.57 sq.	P1
<a href="#">SCE-N12FA10HF-230</a>	12.80	12.80	6.27	483/547	11.57 sq.	P1
<a href="#">SCE-N12FA10HF-460</a>	12.80	12.80	6.24	483/547	11.57 sq.	P1



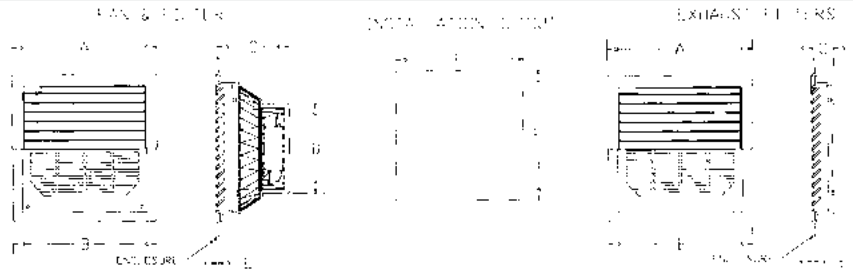
## TYPE 12 FANS & FILTERS - RAL 7035 GRAY

Easy to install snap fit design for use in enclosures that require cooling but have limited space in NEMA 1 and 12 applications. Housing and grille are made of gray heat resistant (ABS-FR), self-extinguishing material. Fans are available in 115, 50/60 Hertz (Hz) single phase or 24 volt DC.

UL Listed Type 12



Catalog No.	Height (A)	Width (B)	Depth (C)	CFM	Cutout Size (F)	Product Code
<a href="#">SCE-N12FA33LG</a>	4.20	4.20	3.14	13/15	3.75 sq.	P1
<a href="#">SCE-N12FA33-230LG</a>	4.20	4.20	3.10	13/15	3.75 sq.	P1
<a href="#">SCE-N12FA33-24VLG</a>	4.20	4.20	3.10	20	3.75 sq.	P1
<a href="#">SCE-N12FA44LG</a>	5.90	5.90	2.90	26/29	5.03 sq.	P1
<a href="#">SCE-N12FA44-24VLG</a>	5.90	5.90	2.90	28	5.03 sq.	P1
<a href="#">SCE-N12FA66LG</a>	9.80	9.80	4.90	135/159	8.91 sq.	P1
<a href="#">SCE-N12FA66-24VLG</a>	9.80	9.80	4.90	86	8.91 sq.	P1
<a href="#">SCE-N12FA1010LG</a>	12.80	12.80	6.30	306/341	11.57 sq.	P1



## TYPE 12 EXHAUST FILTERS - BLACK

Easy to install snap fit design for use on air discharge side of cooling fan package for Type 1 & 12 applications. Housing and grille are made of black heat resistant (ABS-FR), self-extinguishing material with a Type 12 filter.

UL Listed Type 12

Catalog No.	Height (A)	Width (B)	Depth (C)	Cutout Size (F)	Product Code
<a href="#">SCE-N12FGA33</a>	4.20	4.20	0.50	3.75	P1
<a href="#">SCE-N12FGA44</a>	5.91	5.91	1.15	5.03 Sq.	P1
<a href="#">SCE-N12FGA66</a>	9.84	9.84	1.33	8.91 Sq.	P1
<a href="#">SCE-N12FGA1010</a>	12.8	12.8	1.34	11.57 Sq.	P1





## TYPE 12 EXHAUST FILTER - RAL 7035 GRAY

Catalog No.	Height (A)	Width (B)	Depth (C)	Cutout Size (F)	Product Code
<a href="#">SCE-N12FGA33LG</a>	4.19	4.19	0.91	3.75	P1
<a href="#">SCE-N12FGA44LG</a>	5.91	5.91	1.15	5.03 Sq.	P1
<a href="#">SCE-N12FGA66LG</a>	9.84	9.84	1.33	8.91 Sq.	P1
<a href="#">SCE-N12FGA1010LG</a>	12.80	12.80	1.34	11.57 Sq.	P1

Easy to install snap fit design for use on air discharge side of cooling fan package for Type 1 & 12 applications. Housing and grille are made of gray heat resistant (ABS-FR), self-extinguishing material with a Type 12 filter.

UL Listed Type 12

## TYPE 3R FANS & FILTERS

Easy to install snap fit design for use in enclosures that require cooling but have limited space in NEMA 3R applications. Grille is made of black UV and water resistant, self-extinguishing PVC material, housing is ABS material with steel inner guard for increased impact resistance. Fans are available in 115, 230 volt AC, 50/60 (Hz). UL Listed Type 3R

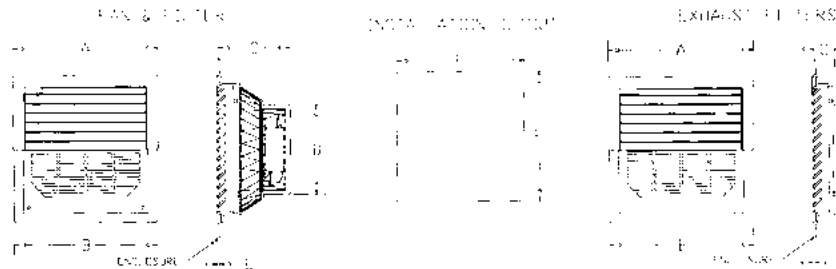
Catalog No.	Height (A)	Width (B)	Depth (C)	CFM	Cutout Size (F)	Product Code
<a href="#">SCE-N3RFA33</a>	4.20	4.20	3.10	13/15	3.75 sq.	P1
<a href="#">SCE-N3RFA33-230</a>	4.20	4.20	3.50	13/15	3.75 sq.	P1
<a href="#">SCE-N3RFA44</a>	5.90	5.90	2.90	39/47	5.03 sq.	P1
<a href="#">SCE-N3RFA44-230</a>	5.90	5.90	2.90	39/47	5.03 sq.	P1
<a href="#">SCE-N3RFA66</a>	9.80	9.80	4.90	133/158	8.91 sq.	P1
<a href="#">SCE-N3RFA66-230</a>	9.80	9.80	4.90	133/158	8.91 sq.	P1
<a href="#">SCE-N3RFA1010</a>	12.80	12.80	6.30	306/341	11.57 sq.	P1
<a href="#">SCE-N3RFA1010-230</a>	12.80	12.80	6.30	306/359	11.57 sq.	P1
<a href="#">SCE-N3RFA10HF</a>	12.80	12.80	6.30	435/494	11.57 sq.	P1
<a href="#">SCE-N3RFA10HF-230</a>	12.80	12.80	6.30	435/494	11.57 sq.	P1

## TYPE 3R EXHAUST FILTERS

Easy to install snap fit design for use on air discharge side of cooling fan package for Type 3R applications. Grille is made of black UV and water resistant, self-extinguishing PVC material, housing is ABS material with steel inner guard for increased impact resistance.

Catalog No.	Height (A)	Width (B)	Depth (C)	Cutout Size (F)	Product Code
<a href="#">SCE-N3RFGA33</a>	4.20	4.20	2.00	3.75	P1
<a href="#">SCE-N3RFGA44</a>	5.90	5.90	1.20	5.03 Sq.	P1
<a href="#">SCE-N3RFGA66</a>	9.80	9.80	1.30	8.91 Sq.	P1
<a href="#">SCE-N3RFGA1010</a>	12.80	12.80	1.30	11.57 Sq.	P1

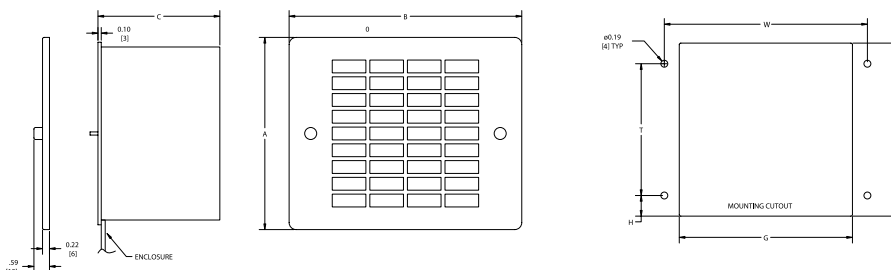
UL Listed Type 3R



Catalog No.	Height (A)	Width (B)	Depth (C)	Cutout Size (F)	Cutout Size (G)	CFM	Product Code
<a href="#">SCE-FA44</a>	6.11	7.38	3.28	5.66	5.91	63/75	P1
<a href="#">SCE-FA44-230</a>	6.11	7.38	3.28	5.66	5.91	63/75	P1
<a href="#">SCE-FA44-24VDC</a>	6.11	7.38	3.28	5.66	5.91	155	P1
<a href="#">SCE-FA66</a>	7.61	8.88	3.75	7.16	7.41	135/158	P1
<a href="#">SCE-FA66-230</a>	7.61	8.88	3.75	7.16	7.41	135/158	P1
<a href="#">SCE-FA66-24VDC</a>	7.61	8.88	3.75	7.16	7.41	155	P1
<a href="#">SCE-FA1010</a>	11.62	12.88	5.25	11.16	11.41	400/440	P1
<a href="#">SCE-FA1010-230</a>	11.62	12.88	5.25	11.16	11.41	400/440	P1
<a href="#">SCE-FA1010-24VDC</a>	11.62	12.88	5.25	11.16	11.41	425	P1

## FAN PACKAGE

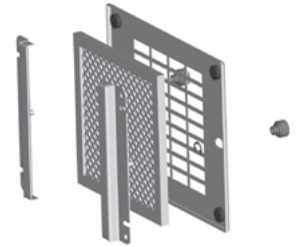
Designed for use in enclosures that require cooling but have limited space. Consists of a washable aluminum filter, steel air plenum, removable stainless steel grille, single phase fan, and approximately 14 inches of lead wire. Grille has captivated thumb nuts for easy access to the filter from the outside. Fans are available in 115 or 230 volt AC or 24 volt DC, 50/60 Hertz (Hz) single phase. Air plenum is ANSI-61 gray powder coated. For installation information, please consult our installation manual at [www.saginawcontrol.com](http://www.saginawcontrol.com). UL listed motor.



## FILTER AND GRILLE PACKAGE

Designed for use on air discharge side of cooling fan package. Stainless steel grille with captivated thumb screws. Aluminum mounting brackets and aluminum filter. Mounting hardware is furnished.

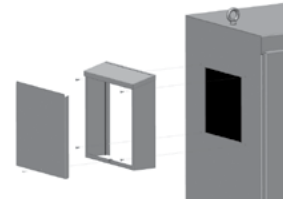
Catalog No.	Height (A)	Width (B)	Cutout Size (F)	Cutout Size (G)	Product Code
<a href="#">SCE-FGA44</a>	6.11	7.38	5.66	5.91	P1
<a href="#">SCE-FGA66</a>	7.61	8.88	7.16	7.41	P1
<a href="#">SCE-FGA1010</a>	11.62	12.88	11.16	11.41	P1



## RAIN HOOD WITH ACCESS COVER

Catalog No.	Height (A)	Width (B)	Depth (C)	Product Code
<a href="#">SCE-RH4N12</a>	9.44	7.81	4.50	P1
<a href="#">SCE-RH6N12</a>	13.44	11.81	4.50	P1
<a href="#">SCE-RH10N12</a>	16.44	14.81	4.50	P1
<b>Stainless Steel</b>				
<a href="#">SCE-RH4N12SS</a>	9.44	7.81	4.50	P1
<a href="#">SCE-RH6N12SS</a>	13.44	11.81	4.50	P1
<a href="#">SCE-RH10N12SS</a>	16.44	14.81	4.50	P1

Designed for use with Type 12 fan and filter kits to prevent rain, sleet, snow, dropping water or fluids from being drawn into the enclosure. Removable cover for easy access to fan and filter kits. Made of heavy gauge galvanized steel and powder coated ANSI-61 gray. "SS" kits are made of Type 304 stainless steel with #4 brushed finish. UL Recognized. For installation information, please consult our installation manual at [www.saginawcontrol.com](http://www.saginawcontrol.com). Note: Fan and Filter Kit are sold separately. UL Listed Type 3R

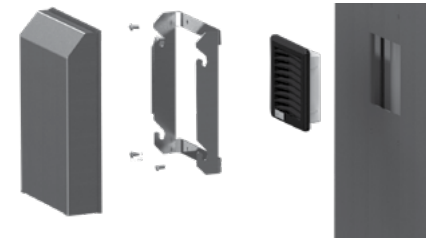


## 4X RAIN HOOD

Catalog No.	Height (A)	Width (B)	Depth (C)	Finish	Product Code
<a href="#">SCE-RH3N4XSS</a>	9.10	5.90	4.30	#4 Brushed Finish	P1
<a href="#">SCE-RH4N4XSS</a>	9.10	6.90	2.20	#4 Brushed Finish	P1
<a href="#">SCE-RH6N4XSS</a>	15.40	11.10	3.30	#4 Brushed Finish	P1
<a href="#">SCE-RH10N4XSS</a>	18.90	13.80	4.30	#4 Brushed Finish	P1

Designed for use in conjunction with the Type 12 Fan and Filter Packages to increase the ingress protection rating of the assembly to a 4X. 304 Stainless #4 brushed finish. Sanitary FDA compliant gaskets that make it easy to detect contamination. Removable rain hood for maintenance and replacement of filter without tools. For installation information, please consult our installation manual at [www.saginawcontrol.com](http://www.saginawcontrol.com).

Note: Fan and Filter Kit are sold separately. UL Listed Type 3, 3R, 4, 4X and 12 IEC IP 65



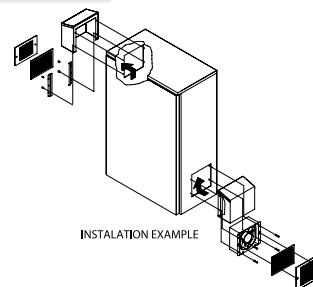
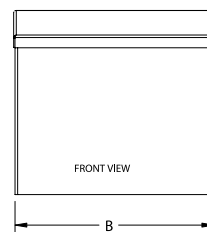
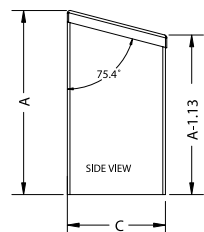
## RAIN HOOD

Catalog No.	Height (A)	Width (B)	Depth (C)	Finish	Product Code
<a href="#">SCE-RH44</a>	8.09	7.62	4.50	ANSI-61 Gray	P1
<a href="#">SCE-RH66</a>	8.46	9.24	4.56	ANSI-61 Gray	P1
<a href="#">SCE-RH1010</a>	12.34	13.12	4.50	ANSI-61 Gray	P1
<a href="#">SCE-RH66-05</a>	8.46	9.24	4.56	SCE-05 White	P1
<a href="#">SCE-RH1010-05</a>	12.34	13.12	4.50	SCE-05 White	P1
<a href="#">SCE-RH10N12-05</a>	16.44	14.81	4.50	SCE-05 White	P1
<b>Stainless Steel</b>					
<a href="#">SCE-RH44SS</a>	8.09	7.62	4.50	#4 Brushed Finish	P1
<a href="#">SCE-RH66SS</a>	8.46	9.24	4.56	#4 Brushed Finish	P1
<a href="#">SCE-RH1010SS</a>	12.34	13.12	4.50	#4 Brushed Finish	P1

Designed for use with standard fan and filter kits to prevent rain, sleet, snow, dropping water or fluids from being drawn into the enclosure. Made of heavy gauge galvanized steel and powder coated. "SS" kits are made of Type 304 stainless steel with #4 brushed finish. UL Recognized. For installation information, please consult our installation manual at [www.saginawcontrol.com](http://www.saginawcontrol.com).

Note: Fan and Filter Kit are sold separately. UL Listed Type 3R

400





Catalog No.	Air Flow CU Feet Per Min.	Diameter	Fan Dim. Square	Depth	Produce Code
<a href="#">SCE-CF4</a>	95/115		4.69	1.52	P1
<a href="#">SCE-CF6</a>	203/238	6.72		2.00	P1
<a href="#">SCE-CF10</a>	600/665	10.00		3.50	P1
<a href="#">SCE-CF4-230</a>	95/115		4.69	1.52	P1
<a href="#">SCE-CF6-230</a>	203/238	6.72		2.00	P1
<a href="#">SCE-CF10-230</a>	600/665	10.00		3.50	P1



## COOLING FANS

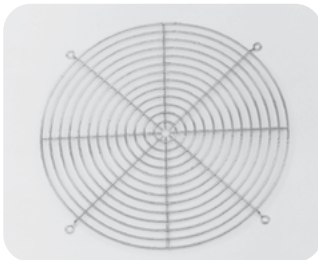
Designed for use in enclosures where space is limited and reliable cooling is required. 115 or 230 volt AC 50/60 Hz. Single phase motor. A finger guard is included. UL listed motor.

**IS24 - Industry Standards**  
UL Listed

Catalog No.	Used on Cooling Fan Cat. No.	Product Code
<a href="#">SCE-GARD4</a>	SCE-CF4	P2
<a href="#">SCE-GARD6</a>	SCE-CF6	P2
<a href="#">SCE-GARD10</a>	SCE-CF10	P2

## FINGER GUARDS

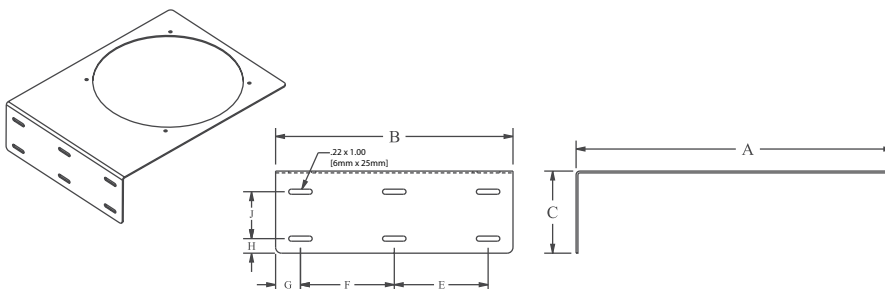
A finger guard is included with each cooling fan. An additional finger guard can be mounted on either of the fans for maximum safety. Chrome plated.



Catalog No.	Description	Height (A)	Width (B)	Depth (C)	(E)	(F)	(J)	Product Code
<a href="#">SCE-112399</a>	4" Fan Bracket	6.00	5.00	1.50	-	3.00	0.62	P2
<a href="#">SCE-111252</a>	6" Fan Bracket	10.00	6.88	2.00	-	5.00	1.00	P2
<a href="#">SCE-110551</a>	10" Fan Bracket	13.50	10.12	3.50	4.00	4.00	2.00	P2

## COOLING FAN BRACKET

Cooling fan brackets are designed for general circulation or to direct air in a problem area. Brackets are made of heavy gauge steel and powder coated white. Fans and finger guards are ordered separately.



# ENVIRO-THERM® THERMAL MANAGEMENT

## FAN HEATER WITH THERMOSTAT

Designed to protect electrical controls, instruments and sensitive components from low temperatures and the effects of condensation and corrosion by maintaining a stable temperature within the electrical enclosure. These heaters are not intended for use in hazardous, wet, dusty or dirty locations. For installation information, consult our installation manual at [www.saginawcontrol.com](http://www.saginawcontrol.com).

**IS24 - Industry Standards**  
UL Component Recognized

Catalog No.	Watt @ 60 Hz	Volt	Height	Width	Depth	Product Code
<a href="#">SCE-HF1251A</a>	125	115	5.50	4.00	4.50	P1
<a href="#">SCE-HF1252A</a>	125	230	5.50	4.00	4.50	P1
<a href="#">SCE-HF2001A</a>	200	115	5.50	4.00	4.50	P1
<a href="#">SCE-HF2002A</a>	200	230	5.50	4.00	4.50	P1
<a href="#">SCE-HF4001B</a>	400	115	7.50	4.00	4.50	P1
<a href="#">SCE-HF4002B</a>	400	230	7.50	4.00	4.50	P1
<a href="#">SCE-HF8001B</a>	800	115	7.50	4.00	4.50	P1
<a href="#">SCE-HF8002B</a>	800	230	7.50	4.00	4.50	P1



- Brushed Aluminum Housing
- Thermostat Range 0° to 100°F (-18° to 38°C)
- Heat discharge at the top of the heater
- Panel mount
- Air volume of 16 CFM on 125 & 200 Watt heaters, 26 CFM on 400 & 800 Watt heaters
- Heat indicator light
- Switch for Auto or Fan
- UL Recognized
- CSA Approved
- CE

## FAN HEATER

Compact design that heats up dynamically and is quiet during operation. Din rail clip design for 15mm, 35mm and C-Din Rail. 14" heater cable, 10" fan cable. 100 - 240V 50/60 Hz Heater and 24 V Integrated fan. For installation information, consult our installation manual at [www.saginawcontrol.com](http://www.saginawcontrol.com).

**IS24 - Industry Standards**  
UL Component Recognized

Catalog No.	Watts	Max Current	Height	Width	Depth	Product Code
<a href="#">SCE-H350</a>	350	3.0 A	3.10	2.10	3.30	P1



## TOUCH SAFE HEATER

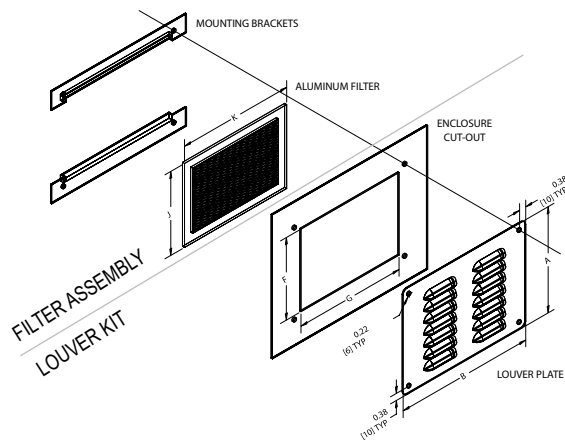
PTC (Positive Temperature Coefficient) Din rail clip design for 35mm Din Rail. Designed for protection from low temperatures, condensation and corrosion. Touch Safe with 2 screw terminal for standard AWG 14 wire. 110 - 240V AC or DC. For installation information, consult our installation manual at [www.saginawcontrol.com](http://www.saginawcontrol.com).

**IS24 - Industry Standards**  
UL Component Recognized

Catalog No.	Watts	Max Current	Height	Width	Depth	Product Code
<a href="#">SCE-TSH25</a>	25	2.5 A	4.92	1.61	1.61	P1
<a href="#">SCE-TSH50</a>	50	3.5 A	4.92	1.61	1.61	P1
<a href="#">SCE-TSH75</a>	75	4.0 A	5.51	2.76	2.48	P1
<a href="#">SCE-TSH100</a>	100	5.0 A	5.51	2.76	2.48	P1
<a href="#">SCE-TSH150</a>	150	9.5 A	8.66	2.76	2.48	P1



Catalog No.	Height (A)	Width (B)	Cutout Size (F)	Cutout Size (G)	Product Code
<a href="#">SCE-AVK23</a>	3.25	3.25	2.00	1.75	P2
<a href="#">SCE-AVK33</a>	3.88	4.50	2.62	3.00	P2
<a href="#">SCE-AVK34</a>	4.75	4.50	3.50	3.00	P2
<a href="#">SCE-AVK43</a>	4.50	5.50	3.25	4.00	P2
<a href="#">SCE-AVK44</a>	5.63	5.50	4.38	4.00	P2
<a href="#">SCE-AVK64</a>	5.63	7.50	4.38	6.00	P2
<a href="#">SCE-AVK66</a>	7.88	7.50	6.62	6.00	P2
<a href="#">SCE-AVK84</a>	5.81	9.50	4.56	8.00	P2
<a href="#">SCE-AVK86</a>	8.18	9.50	6.94	8.00	P2
<a href="#">SCE-AVK88</a>	10.56	9.50	9.31	8.00	P2
<a href="#">SCE-AVK812</a>	15.31	9.50	14.06	8.00	P2
<b>Stainless Steel</b>					
<a href="#">SCE-AVK23SS</a>	3.25	3.25	2.00	1.75	P2
<a href="#">SCE-AVK33SS</a>	3.88	4.50	2.62	3.00	P2
<a href="#">SCE-AVK34SS</a>	4.80	4.50	3.50	3.00	P2
<a href="#">SCE-AVK43SS</a>	4.50	5.50	3.25	4.00	P2
<a href="#">SCE-AVK44SS</a>	5.63	5.50	4.38	4.00	P2
<a href="#">SCE-AVK64SS</a>	5.63	7.50	4.48	6.00	P2
<a href="#">SCE-AVK66SS</a>	7.88	7.50	6.62	6.00	P2
<a href="#">SCE-AVK84SS</a>	5.81	9.50	14.06	8.00	P2
<a href="#">SCE-AVK86SS</a>	8.19	9.50	4.56	8.00	P2
<a href="#">SCE-AVK88SS</a>	10.56	9.50	6.94	8.00	P2
<a href="#">SCE-AVK812SS</a>	15.31	9.50	9.31	8.00	P2



Catalog No.	Filter Size (J)	Filter Size (K)	Product Code
<a href="#">SCE-FLT33</a>	3.22	3.25	P2
<a href="#">SCE-FLT34</a>	4.09	3.25	P2
<a href="#">SCE-FLT43</a>	3.84	4.25	P2
<a href="#">SCE-FLT44</a>	4.97	4.25	P2
<a href="#">SCE-FLT64</a>	4.45	6.25	P2
<a href="#">SCE-FLT66</a>	6.72	6.25	P2
<a href="#">SCE-FLT84</a>	4.64	8.25	P2
<a href="#">SCE-FLT86</a>	7.02	8.25	P2
<a href="#">SCE-FLT88</a>	9.39	8.25	P2
<a href="#">SCE-FLT812</a>	14.14	8.25	P2

## LOUVER KIT

Designed for ventilation in enclosures where excessive heat or moisture is a problem. Kits may be installed in the field by making a cutout of the proper size. Louver plates are made of heavy gauge steel and powder coated ANSI-61 gray. "SS" parts are made of Type 304 stainless with #4 brushed finish.

## FILTER ASSEMBLY

Designed for use with louver kit. Consists of aluminum filter brackets with mounting holes to align with louver mounting holes and a washable aluminum air filter to provide good air filtration. For installation information, please consult our installation manual at [www.saginawcontrol.com](http://www.saginawcontrol.com).

# DOOR HARDWARE

## 1/4 TURN DOOR LATCH INSERTS

Designed to replace black quarter turn latches when additional security is required.

### SLOTTED 2 X 4 DOOR LATCH (28MM CAM INCLUDED)

Catalog No.	Qty. Per Kit	Finish	Product Code
<a href="#">SCE-DLSB</a>	1	Chrome	P2
<a href="#">SCE-DLSBB</a>	1	Black	P2
<a href="#">SCE-DLSSB</a>	1	Stainless	P2



### WING KNOB DOOR LATCH (28MM CAM INCLUDED)

Catalog No.	Qty. Per Kit	Finish	Product Code
<a href="#">SCE-DLWKC</a>	1	Chrome	P2
<a href="#">SCE-DLWKF</a>	1	Black	P2
<a href="#">SCE-DLWKF-25</a>	25	Black	V1



### KEYLOCKING WING KNOB LATCH (28MM CAM INCLUDED)

Key: SCE-K333

Catalog No.	Qty. Per Kit	Finish	Product Code
<a href="#">SCE-KLWN</a>	1	Chrome	P2
<a href="#">SCE-KLWNB</a>	1	Black	P2



### PADLOCKING WING KNOB LATCH (28MM CAM INCLUDED)

Catalog No.	Qty. Per Kit	Finish	Product Code
<a href="#">SCE-PLWKB</a>	1	Black	P2
<a href="#">SCE-PLWKB-50</a>	50	Black	V1
<a href="#">SCE-PLWKSS</a>	1	Stainless	P2



### PADLOCKING HOUSING LATCH (28MM CAM INCLUDED)

Catalog No.	Qty. Per Kit	Finish	Product Code
<a href="#">SCE-PLHG</a>	1	Black	P2



### NON-LOCKING "T" HANDLE (28MM CAM INCLUDED)

Catalog No.	Qty. Per Kit	Finish	Product Code
<a href="#">SCE-NLTH</a>	1	Chrome	P2



### KEYLOCKING "T" HANDLE (28MM CAM INCLUDED)

Catalog No.	Qty. Per Kit	Finish	Product Code
<a href="#">SCE-ELKLT</a>	1	Chrome	P2

### COINPROOF DOOR LATCH (28MM CAM INCLUDED)

Catalog No.	Qty. Per Kit	Finish	Product Code
<a href="#">SCE-DLCA</a>	1	Chrome	P2



### SANITARY QUARTER TURN LATCH (28MM CAM AND (1) KEY INCLUDED)

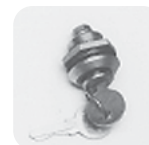
Catalog No.	Qty. Per Kit	Finish	Product Code
<a href="#">SCE-SSQT</a>	1	Stainless	P2



### KEYLOCKING DOOR LATCH (28MM CAM INCLUDED)

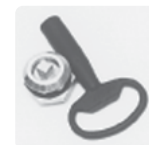
Key: SCE-K333

Catalog No.	Qty. Per Kit	Finish	Product Code
<a href="#">SCE-DLKLD</a>	1	Chrome	P2
<a href="#">SCE-DLKLDB</a>	1	Black	P2
<a href="#">SCE-DLKLDB-25</a>	25	Black	V1



### 7MM SQUARE DOOR LATCH WITH KEY (28MM CAM INCLUDED)

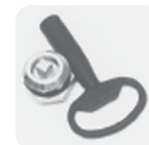
Catalog No.	Qty. Per Kit	Finish	Product Code
<a href="#">SCE-DL7SC</a>	1	Chrome	P2



### 8MM SQUARE DOOR LATCH WITH KEY (28MM CAM INCLUDED)

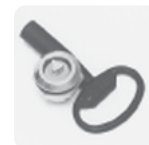
Key: SCE-101697

Catalog No.	Qty. Per Kit	Finish	Product Code
<a href="#">SCE-DL8SB</a>	1	Black	P2
<a href="#">SCE-DL8SC</a>	1	Chrome	P2



### 7MM TRIANGULAR DOOR LATCH WITH KEY (28MM CAM INCLUDED)

Catalog No.	Qty. Per Kit	Finish	Product Code
<a href="#">SCE-DL7TE</a>	1	Chrome	P2



### 5MM DOUBLE BIT DOOR LATCH WITH KEY (28MM CAM INCLUDED)

Key: SCE-110047

Catalog No.	Qty. Per Kit	Finish	Product Code
<a href="#">SCE-DL5MDB</a>	1	Chrome	P2
<a href="#">SCE-DL5MDBB</a>	1	Black	P2



### 6MM EXTERNAL STOP CAM, PLATED STEEL FOR USE WITH QUARTER TURN LATCH

Catalog No.	Qty. Per Kit	Product Code
<a href="#">SCE-128577</a>	10	P2



### 28MM EXTERNAL STOP CAM, PLATED STEEL FOR USE WITH QUARTER TURN LATCH

Catalog No.	Qty. Per Kit	Product Code
<a href="#">SCE-102804</a>	10	P2



# DOOR HARDWARE

## MINI QUARTER TURN LATCH OPTIONS

DESIGNED FOR USE ON ELJ ENCLOSURES AND WINDOW KITS.  
35° CAM INCLUDED



Catalog No.	Qty. Per Kit	Finish	Product Code
<a href="#">SCE-MINQ</a>	1	Chrome	P2
<a href="#">SCE-MINQB</a>	1	Black	P2
<a href="#">SCE-MINOSS</a>	1	Stainless	P2
<a href="#">SCE-MINQK (keylocking)</a>	1	Chrome	P2

Key: SCE-2233X

## 304 STAINLESS STEEL PADLOCK BRACKET FOR MINIATURE QUARTER TURN. (ELJ & HWK)



Catalog No.	Qty. Per Kit	Product Code
<a href="#">SCE-MINOPL</a>	1	P2

## BLACK KEYLOCKING LEVER KNOB FOR MINIATURE QUARTER TURN. (ELJ & HWK) (NO CAM INCLUDED)



Catalog No.	Qty. Per Kit	Product Code
<a href="#">SCE-MINQKLB</a>	1	P2

Key: SCE-223X

## BLACK NON-LOCKING LEVER KNOB FOR MINIATURE QUARTER TURN. (ELJ & HWK) (NO CAM INCLUDED)



Catalog No.	Qty. Per Kit	Product Code
<a href="#">SCE-MINQLB</a>	1	P2
<a href="#">SCE-MINQLB-25</a>	25	V2

## BLACK 6MM SQUARE MINIATURE QUARTER TURN WITH KEY. (ELJ & HWK) (NO CAM INCLUDED)



Catalog No.	Qty. Per Kit	Product Code
<a href="#">SCE-MINO6MS</a>	1	P2

## 35° CAM, PLATED STEEL FOR USE WITH MINIATURE QUARTER TURNS. (ELJ, HWK & HA)



Catalog No.	Qty. Per Kit	Product Code
<a href="#">SCE-112984</a>	1	P2

## 28MM CAM, PLATED STEEL FOR USE WITH MINIATURE QUARTER TURNS



Catalog No.	Qty. Per Kit	Product Code
<a href="#">SCE-105419</a>	1	P2

## BLACK NEMA I QUARTER TURN



Catalog No.	Qty. Per Kit	Finish	Product Code
<a href="#">SCE-DLSBPA</a>	1	Black	P2

## "SCE" Handle

Designed for use on custom and stock SCE enclosures. Can be used as replacements for installed SCE hardware when a different locking mechanism is desired. 5" and 7" lengths for different size enclosures. Black zinc die cast. For 2 or 3-point latch, use SCE-ARK36 Door Rod Kit.

Catalog No.	Description	Length	Qty. Per Kit	Product Code
<a href="#">SCE-PCH5</a>	Coinproof/Padlocking	5 in	1	P2
<a href="#">SCE-PH5</a>	Padlocking	5 in	1	P2
<a href="#">SCE-PKH5</a>	Keylocking/Padlocking	5 in	1	P2
<a href="#">SCE-PCH5-7SC</a>	7mm Square Insert	5 in	1	P2
<a href="#">SCE-PCH7</a>	Coinproof/Padlocking	7 in	1	P2
<a href="#">SCE-PH7</a>	Padlocking	7 in	1	P2
<a href="#">SCE-PKH7</a>	Keylocking/Padlocking	7 in	1	P2
<a href="#">SCE-PCH7-7SC</a>	7mm Square Insert	7 in	1	P2



SCE-PCH5  
SCE-PCH7



SCE-PH5  
SCE-PH7



SCE-PKH5  
SCE-PKH7  
Key: SCE-KC101



SCE-PCH5-7SC  
SCE-PCH7-7SC  
Key: SCE-101695

## "SCE" Stainless Handle

Designed for use on custom and stock SCE enclosures. Can be used as replacements for installed SCE hardware when a different locking mechanism is desired. Stainless Steel, 5" length. For 2 or 3-point latch, use SCE-ARK36 or SCE-103370 Door Rod Kit.

Catalog No.	Description	Length	Qty. Per Kit	Product Code
<a href="#">SCE-PCH5SS</a>	Coinproof/Padlocking	5 in	1	P2
<a href="#">SCE-PH5SS</a>	Padlocking	5 in	1	P2
<a href="#">SCE-PKH5SS</a>	Keylocking/Padlocking	5 in	1	P2



SCE-PCH5SS



SCE-PH5SS



SCE-PKH5SS  
Key: SCE-KC101

# DOOR HARDWARE

## ENVIROLINE® SERIES HANDLES

Designed for use in the Enviroline® Series enclosures, for a quick and easy conversion from the standard quarter turn latch, with no added holes or cutouts necessary for installation. Single-Point Cam Included. Not recommended for use on enclosures greater than 36" in height.

Catalog No.	Description	Qty. Per Kit	Product Code
<a href="#">SCE-ELKL</a>	Keylocking Handle	1	P2
<a href="#">SCE-ELPL</a>	Padlocking Handle	1	P2



Key: SCE-K333

## ENVIROLINE® 3-POINT LATCH KIT

Designed for use with all Enviroline® Series enclosures. This simple to install latch kit will add a 2 or 3-point latching system to the enclosure. The kit includes easy to cut 5/16 inch round rods with rollers and rod guides for a strong functioning latching system. No added holes or cutouts in the enclosure necessary for installation.

Catalog No.	Qty Per Kit	Product Code
<a href="#">SCE-3PTL</a>	1	P2



## ALUMINUM ROD KIT WITH RAMP SHOES

Catalog No.	Rod Size	Length	Qty Per Kit	Product Code
<a href="#">SCE-ARK36</a>	0.375 x 0.625	36in	1	P2
<a href="#">SCE-ARK39</a>	0.375 x 0.625	39in	1	P2
<a href="#">SCE-103370</a>	0.25 x 0.50		1	P2



## SWING HANDLES

Catalog No.	Description	Qty Per Kit	Product Code
<a href="#">SCE-FSH3DB</a>	Swing Handle, 3mm Double Bit Chrome w/ Key	1	P2
<a href="#">SCE-FSH5DB</a>	Swing Handle, 5mm Double Bit Chrome w/ Key	1	P2
<a href="#">SCE-FSH7S</a>	Swing Handle, 7mm Square Bit Chrome w/ Key	1	P2
<a href="#">SCE-FSH8S</a>	Swing Handle, 8mm Square Bit Chrome w/ Key	1	P2
<a href="#">SCE-FSH</a>	Swing Handle, Padlock	1	P2
<a href="#">SCE-FSHC</a>	Swing Handle, Padlock/Coin Proof	1	P2
<a href="#">SCE-FSHK</a>	Swing Handle, Padlock/Key Lock (Qty. 2 Key 101)	1	P2



Key Lock    Coin Proof    Padlock    Double Bit    Square Bit

## SMALL 3-POINT CAM, PLATED STEEL FOR USE WITH 5" HANDLES

Catalog No.	Qty Per Kit	Product Code
<a href="#">SCE-3PTSMC</a>	1	P2



## LARGE CAM FOR DOOR-HINGED ON LEFT, PLATED STEEL FOR USE WITH SCE 7" HANDLES

Catalog No.	Qty Per Kit	Product Code
<a href="#">SCE-102237</a>	1	P2



## KEYLOCKING DOOR LATCH FOR USE WITH NEMA-1 ENCLOSURES WITH KNOCKOUTS (CAM AND KEYS INCLUDED)

Catalog No.	Qty Per Kit	Product Code
<a href="#">SCE-L</a>	1	P2



SCE-ARK36 Patent Pending 16/101,929

# DOOR HARDWARE

## QUICK RELEASE CLAMP ASSEMBLY

Designed for quick access to an enclosure with standard screw clamps. Black zinc die cast with stainless steel fasteners.

Catalog No.	Enclosure Type	Thread Type	Qty Per Kit	Product Code
<a href="#">SCE-LPQR</a>	"LP"	1/4-20	1	P2
<a href="#">SCE-QRCH</a>	"CHNF"	10-24	1	P2



## REPLACEMENT CLAMPS

Designed as replacement clamps for SCE enclosures.

Catalog No.	Enclosure Type	Thread Type	Finish	Qty Per Kit	Product Code
<a href="#">SCE-LPCLAMP</a>	"LP"	1/4-20	Zinc	2	P2
<a href="#">SCE-LPCLAMPSS</a>	"LP"	1/4-20	Stainless	2	P2
<a href="#">SCE-CHCLAMP</a>	"CHNF"	10-24	Chrome	2	P2
<a href="#">SCE-CHCLAMPSS</a>	"CHNF"	10-24	Stainless	2	P2



[SCE-LPCLAMP/SS](#)



[SCE-CHCLAMP/SS](#)

## PADLOCK KIT FOR JUNCTION BOXES

Designed for "CHNF" enclosures. Maintains water-tight and dust-tight seal. Made of plated steel.

Catalog No.	Qty Per Kit	Product Code
<a href="#">SCE-PLKJIC</a>	1	P2



## PADLOCK HASP

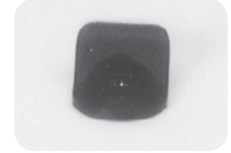
Designed as replacement padlock hasp for SCE enclosures.

Catalog No.	Finish	Product Code
<a href="#">SCE-115117</a>	Zinc	P2
<a href="#">SCE-128600</a>	Stainless	P2

## FINGER PULL

Designed for use as pull latch for the removable wireway.

Catalog No.	Description	Qty Per Kit	Product Code
<a href="#">SCE-ELFP</a>	Black Polyamide	1	P2



## PULL HANDLE

Designed for use as a handle on enclosures. Handle is a steel tube plastic coated black with black molded polyamide plastic end stays.

Catalog No.	Qty Per Kit	Size	Product Code
<a href="#">SCE-UHK13</a>	1	3.15 x 13.00	P2



## PULL HANDLE - 4"

Designed for use on keyboard drawers, swing-out panels, etc. Mounting hardware is included.

Catalog No.	Finish	Hole Center	Qty Per Kit	Product Code
<a href="#">SCE-APH</a>	Aluminum	4.00	1	P2



## HMI PULL HANDLES

Designed for use on HMI enclosures. Handle is a steel tube plastic coated black with black molded polyamide plastic end stays. Mounting hardware is included.

Catalog No.	Length	Qty Per Kit	Product Code
<a href="#">SCE-HMIPH5</a>	5 in.	1	P2
<a href="#">SCE-AUHK</a>	12 in.	1	P2



[SCE-HMIPH5](#)



[SCE-AUHK](#)

# PROGRAM PORTS

## Application

This product line is designed to help increase your compliance with NFPA 70E and reduce the risk of personal exposure of arc flash by reducing the need to access the enclosure, by bringing utility outlets and data interface ports outside the enclosures.

## Construction

- Transparent polycarbonate sealed cover.
- Quick release padlocking latch.
- 120 VAC Simplex Outside.
- Available with Ethernet, Control Net, Serial or Device Net data interface ports

## Options

Contact the factory for availability of any other data interface ports or type 4x designs

## Finish

Powder coated light gray

## Industry Standards

- UL Recognized Type 1, 12 or 4
- CSA Approved Type 1, 12 or 4
- NFPA 70E Compliant
- Ports with "foreign" outlets are CE Compliant

Catalog No.	Qty Per Kit	Interface	Type	Product Code
<a href="#">P-R2-F3R3-U450</a>	1	(Ethernet)	4	P4



RJ-45 CAT5 F/F connector with 120 VAC Simplex outlet & 3 Amp circuit breaker

Catalog No.	Qty Per Kit	Interface	Type	Product Code
<a href="#">P-B15-F3R3-U450</a>	1	(Control Net)	4	P4

RJ-45 CAT5 F/F connector with 120 VAC Simplex outlet & 3 Amp circuit breaker



Catalog No.	Qty Per Kit	Interface	Type	Product Code
<a href="#">P-O7-F3R3-U450</a>	1	(Serial)	4	P4



DB9 F/M connector with 120 VAC Simplex outlet & 3 Amp circuit breaker

Catalog No.	Qty Per Kit	Interface	Type	Product Code
<a href="#">P-O9-F3R3-U450</a>	1	(Serial)	4	P4

DB9 M/F connector with 120 VAC Simplex outlet & 3 Amp circuit breaker





# PROGRAM PORTS

Catalog No.	Qty Per Kit	Interface	Type	Product Code
<a href="#">P-B15-K3RF3-U450</a>	1	(Control Net)	4	P4

RJ-45 CAT5 F/F connector with 120 VAC Duplex GFCI with internal Simplex GFCI & 3 Amp circuit breaker



Catalog No.	Qty Per Kit	Interface	Type	Product Code
<a href="#">P-Q7-K3RF3-U450</a>	1	(Serial)	4	P4



DB9 F/M connector with 120 VAC Duplex GFCI with internal Simplex GFCI & 3 Amp circuit breaker

Catalog No.	Qty Per Kit	Interface	Type	Product Code
<a href="#">P-R2-K2RF3-U450</a>	1	(Ethernet)	4X	P4
<a href="#">P-R2-K3RF3-U450</a>	1	(Ethernet)	4	P4
<a href="#">P-R2-K4RF3-U450</a>	1	(Ethernet)	12	P4

RJ-45 CAT5 F/F connector with 120 VAC Duplex GFCI with internal Simplex GFCI & 3 Amp circuit breaker



Catalog No.	Qty Per Kit	Interface	Type	Product Code
<a href="#">P-P11R2-K3RF0-U450</a>	1	(Ethernet/USB)	4	P4



RJ-45 CAT5 F/F connector with 120 VAC Duplex GFCI with internal Simplex GFCI. No circuit breaker

## Application

This product line is designed to help increase your compliance with NFPA 70E and reduce the risk of personal exposure of arc flash by reducing the need to access the enclosure, by bringing GFCI utility outlets and data interface ports outside the enclosures.

## Construction

- Transparent polycarbonate sealed cover.
- Quick release padlocking latch.
- GFCI Ground fault circuit interrupters with exclusive three outlet design, GFCI Duplex outside the enclosure with GFCI Simplex inside.
- Available with Ethernet, USB, Control Net, Serial or Device Net data interface ports

## Options

Contact the factory for availability of any other data interface ports or type 4x designs

## Finish

Powder coated light gray

## Industry Standards

- UL Recognized Type 1, 12 or 4
- CSA Approved Type 1, 12 or 4
- NFPA 70E Compliant
- Ports with "foreign" outlets are CE Compliant

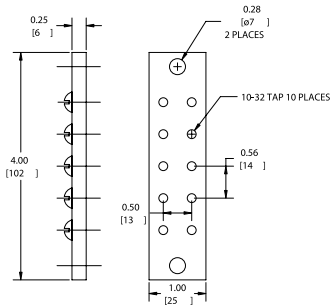
# GENERAL ACCESSORIES

## GROUNDING STRAPS

Catalog No.	Approx Wire Size (AWG)	Length Between Ring Terminals (CTOC)	Ring Terminal Hole Size	Product Code
<a href="#">SCE-GS808</a>	#8	8.00	0.330	P2
<a href="#">SCE-GS808-25</a>	#8	8.00	0.330	P2



Grounding straps can be used to provide electrical continuity between metal parts which must be electrically connected. Consists of braided copper with a ring terminal at both ends. Braid is insulated with green and yellow striped plastic.



## GROUNDING BARS

Catalog No.	Height (A)	Width (B)	Depth (C)	Product Code
<a href="#">SCE-GB10</a>	1.00	4.00	0.25	P2

Designed to provide a grounding area for controls and equipment. Has ten 10-32 tapped conductor holes and two mounting holes. Made of copper.

## DOOR STOP KIT

Catalog No.	Finish	Product Code
<a href="#">SCE-DSTOPK</a>	Zinc Plated	P2

For use on most SCE Type 4, 4X and 12 enclosures to lock door in the open position. Door opening must be at least 12 inches and must open horizontally. Designed to be installed at the bottom of the door opening. For installation information, consult our installation manual at [www.saginawcontrol.com](http://www.saginawcontrol.com).

Provided with UL Recognized sealing washer to maintain Environmental Rating of the enclosure.



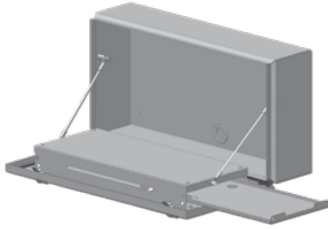
## CABLE DOOR STOP

Catalog No.	Length	Product Code
<a href="#">SCE-CBL15</a>	15.00	P2
<a href="#">SCE-CBL20</a>	20.00	P2



# GENERAL ACCESSORIES

## KEYBOARD KIT



Catalog No.	Height (A)	Width (B)	Depth (C)	Product Code
<a href="#">SCE-24KB</a>	12.25	24.00	6.00	P2

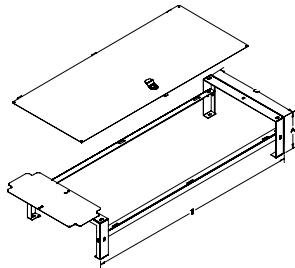
Designed to house a keyboard input. Mounted on the outside of an enclosure. Envirolite® type construction with ELJ hinge and mini quarter turn lever knobs. Mouse drawer. Made of heavy gauge steel and powder coated ANSI-61 gray. For installation information, consult our installation manual at [www.saginawcontrol.com](http://www.saginawcontrol.com).

Provided with UL Recognized sealing washer to maintain Environmental Rating of the enclosure.

## PULLOUT KEYBOARD DRAWER

Catalog No.	Height (A)	Width (B)	Depth (C)	Enclosure Depth	Product Code
<a href="#">SCE-KBS</a>	3.00	20.00	14.00	24.25	P2
<a href="#">SCE-KBS32</a>	3.00	20.00	14.00	32.25	P2

Designed to hold a keyboard and mouse on a separate pullout shelf. Mounts between mounting channels. Made of heavy gauge steel with a white powder coat finish. A mouse pad is included.



## REMOVABLE WIRE COVER

Catalog No.	Height (A)	Width (B)	Depth (C)	Enclosure Depth	Product Code
<a href="#">SCE-14RMW</a>	6.00	35.00	14.00	18.00	P2
<a href="#">SCE-20RMW</a>	6.00	35.00	20.00	24.00	P2

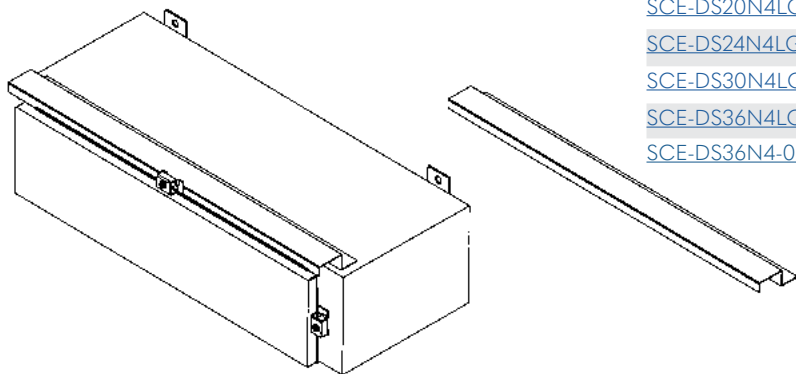
Designed to provide a “false” bottom in an enclosure with a bottom flange larger than 7 inches. Cover is bolted to a frame made of heavy gauge steel. Opens with a finger pull latch. A plate is provided to connect wire covers for a continuous bottom. Made of steel and powder coated white. For installation information, consult our installation manual at [www.saginawcontrol.com](http://www.saginawcontrol.com).

# GENERAL ACCESSORIES

## DRIP SHIELD KIT FOR TYPE 12 & 4 ENCLOSURES

Protects door against dripping water and settling dust. Stainless steel screws and sealing washers are supplied with each kit. Made of steel and powder coated.

Provided with UL Recognized sealing washer to maintain Environmental Rating of the enclosure.



Catalog No.	Fits Enclosure Width (B)	Finish	Product Code
<a href="#">SCE-DS12N4</a>	12.00	ANSI-61 Gray	P2
<a href="#">SCE-DS16N4</a>	16.00	ANSI-61 Gray	P2
<a href="#">SCE-DS20N4</a>	20.00	ANSI-61 Gray	P2
<a href="#">SCE-DS24N4</a>	24.00	ANSI-61 Gray	P2
<a href="#">SCE-DS30N4</a>	30.00	ANSI-61 Gray	P2
<a href="#">SCE-DS36N4</a>	36.00	ANSI-61 Gray	P2
<a href="#">SCE-DS42N4</a>	42.00	ANSI-61 Gray	P2
<a href="#">SCE-DS48N4</a>	48.00	ANSI-61 Gray	P2
<a href="#">SCE-DS60N4</a>	60.00	ANSI-61 Gray	P2
<a href="#">SCE-DS72N4</a>	72.00	ANSI-61 Gray	P2
<a href="#">SCE-DS12N4LG</a>	12.00	RAL 7035 Gray	P2
<a href="#">SCE-DS16N4LG</a>	16.00	RAL 7035 Gray	P2
<a href="#">SCE-DS20N4LG</a>	20.00	RAL 7035 Gray	P2
<a href="#">SCE-DS24N4LG</a>	24.00	RAL 7035 Gray	P2
<a href="#">SCE-DS30N4LG</a>	30.00	RAL 7035 Gray	P2
<a href="#">SCE-DS36N4LG</a>	36.00	RAL 7035 Gray	P2
<a href="#">SCE-DS36N4-05</a>	36.00	SCE-05 White	P2

## STAINLESS STEEL DRIP SHIELD KIT FOR TYPE 4X ENCLOSURES

Protects door against dripping water and settling dust. Furnished with stainless steel screws and sealing washers. Kit made of stainless steel Type 304.

Provided with UL Recognized sealing washer to maintain Environmental Rating of the enclosure.

Catalog No.	Fits Enclosure Width (B)	Product Code
<b>304 Stainless Steel</b>		
<a href="#">SCE-DS12SS</a>	12.00	P2
<a href="#">SCE-DS16SS</a>	16.00	P2
<a href="#">SCE-DS20SS</a>	20.00	P2
<a href="#">SCE-DS24SS</a>	24.00	P2
<a href="#">SCE-DS30SS</a>	30.00	P2
<a href="#">SCE-DS36SS</a>	36.00	P2
<a href="#">SCE-DS42SS</a>	42.00	P2
<a href="#">SCE-DS48SS</a>	48.00	P2
<a href="#">SCE-DS60SS</a>	60.00	P2
<a href="#">SCE-DS72SS</a>	72.00	P2
<b>316 Stainless Steel</b>		
<a href="#">SCE-DS12SS6</a>	12.00	P2
<a href="#">SCE-DS16SS6</a>	16.00	P2
<a href="#">SCE-DS20SS6</a>	20.00	P2
<a href="#">SCE-DS24SS6</a>	24.00	P2
<a href="#">SCE-DS30SS6</a>	30.00	P2
<a href="#">SCE-DS36SS6</a>	36.00	P2
<a href="#">SCE-DS42SS6</a>	42.00	P2
<a href="#">SCE-DS48SS6</a>	48.00	P2
<a href="#">SCE-DS60SS6</a>	60.00	P2
<a href="#">SCE-DS72SS6</a>	72.00	P2

# GENERAL ACCESSORIES

Catalog No.	Height	Width	Finish	Product Code
<a href="#">SCE-FS1212</a>	12.00	12.00	SCE-05 White	P2
<a href="#">SCE-FS1212LG</a>	12.00	12.00	RAL 7035 Gray	P2
<a href="#">SCE-FS1218</a>	12.00	18.00	SCE-05 White	P2
<a href="#">SCE-FS1818</a>	18.00	18.00	SCE-05 White	P2
<a href="#">SCE-FS2424</a>	18.00	18.00	RAL 7035 Gray	P2
<a href="#">SCE-FS1212-09</a>	24.00	24.00	SCE-05 White	P2
<a href="#">SCE-FS1818-09</a>	12.00	12.00	ANSI-61 Gray	P2
<a href="#">SCE-FS2424-09</a>	18.00	18.00	ANSI-61 Gray	P2
<a href="#">SCE-FS2424-09</a>	24.00	24.00	ANSI-61 Gray	P2
<b>Stainless Steel</b>				
<a href="#">SCE-FS1212SS</a>	12.00	12.00	#4 Brushed Finish	P2
<a href="#">SCE-FS1818SS</a>	18.00	18.00	#4 Brushed Finish	P2
<a href="#">SCE-FS2424SS</a>	24.00	24.00	#4 Brushed Finish	P2

## FOLDING SHELF

Folding shelves can be installed on the inside or outside of large enclosures. They are designed to support test equipment and programmers. Locks in the horizontal position. When not in use, shelf can be folded down. Made of heavy gauge steel and powder coated. "SS" parts are stainless steel Type 304 with #4 brush finish. For installation information, consult our installation manual at [www.saginawcontrol.com](http://www.saginawcontrol.com).



Provided with UL Recognized sealing washer to maintain Environmental Rating of the enclosure.

## ACCESSORY COLUMNS AND BASES

Catalog No.	Description	Depth	Width	Product Code
<a href="#">SCE-18SBASE</a>	Pedestal Base	18.00	18.00	P2
<a href="#">SCE-24SBASE</a>	Pedestal Base	24.00	24.00	P2
<a href="#">SCE-44CCOL</a>	Straight Column	4.00	4.00	P2
<a href="#">SCE-44PBCOL</a>	Angled Column	4.00	4.00	P2
<a href="#">SCE-66CCOL</a>	Straight Column	6.00	6.00	P2
<a href="#">SCE-66PBCOL</a>	Angled Column	6.00	6.00	P2
<b>Stainless Steel</b>				
<a href="#">SCE-18SBASESS</a>	Pedestal Base, Stainless Steel	18.00	18.00	P2
<a href="#">SCE-24SBASESS</a>	Pedestal Base, Stainless Steel	24.00	24.00	P2
<a href="#">SCE-44CCOLSS</a>	Straight Column, Stainless Steel	4.00	4.00	P2
<a href="#">SCE-44PBCOLSS</a>	Angled Column, Stainless Steel	4.00	4.00	P2
<a href="#">SCE-66CCOLSS</a>	Straight Column, Stainless Steel	6.00	6.00	P2
<a href="#">SCE-66PBCOLSS</a>	Angled Column, Stainless Steel	6.00	6.00	P2

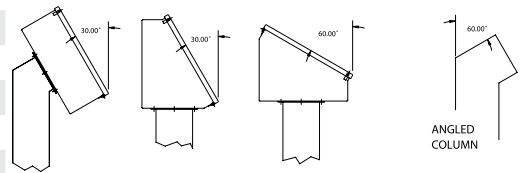
Designed to allow enclosures to be floor-mounted. Columns can be mounted to either size base. Columns have flanges at each end and a gasketed access plate. Bases are to be bolted to the floor. Gasket and mounting hardware included. For technical information, consult the installation manual at [www.saginawcontrol.com](http://www.saginawcontrol.com). Pedestals and bases are ANSI-61 gray powder coated. "SS" parts are stainless steel Type 304 with #4 brush finish.

SCE-SA451A

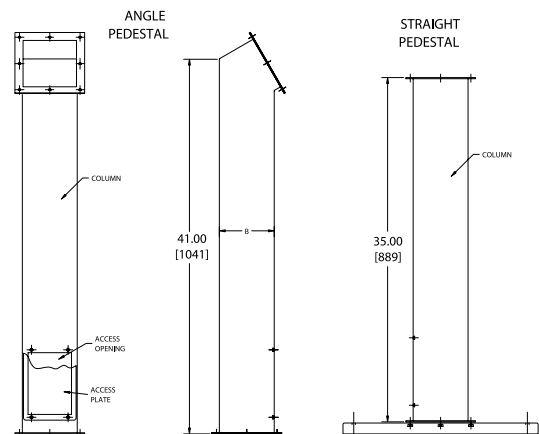


SCE-SATFS

SCE-44CCOL



ANGLED COLUMN



ANGLE PEDESTAL

STRAIGHT PEDESTAL

# GENERAL ACCESSORIES

## Application

LED light fixture is designed to provide interior lighting for an enclosure. Can be mounted to light channels in the top of an enclosure or on the front flange of most enclosures.

## Construction

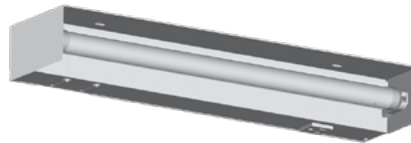
- Door activated adjustable switch, switch can be removed and relocated.
- Terminal block on each end of fixture, making it easy to wire and daisy chain multiple lights continuously.
- LED bulb with PVC frosted white protective light diffuser included.
- Housing made from steel and powder coated white.
- Units with convenience receptacle outlet are 120 VAC with ground 50/60 Hz. Without convenience receptacle outlet 100 to 240 VAC 50/60 Hz.
- 4000K Frosted White
- 18 inch 750 Lumens
- 24 inch 900 Lumens
- 18 inch 24VDC 500 Lumens

## IS24 Industry Standards

UL Component Recognized

## LED LIGHT FIXTURE

Catalog No.		Height (A)	Width (B)	Depth (C)	AMP	VAC	Hz	Product Code
<a href="#">SCE-LF18</a>		2.75	18.18	4.00	0.105	100-125	50/60	P2
<a href="#">SCE-LF24</a>		2.75	24.18	4.00	0.105	100-125	50/60	P2
<a href="#">SCE-LF18NO</a>	(No Outlet)	2.75	18.18	4.00	0.105	100-240	50/60	P2
<a href="#">SCE-LF24NO</a>	(No Outlet)	2.75	24.18	4.00	0.105	100-240	50/60	P2
<a href="#">SCE-LF1824VDC</a>	(No Outlet)	2.75	18.18	4.00	0.3	24VDC	-----	P2

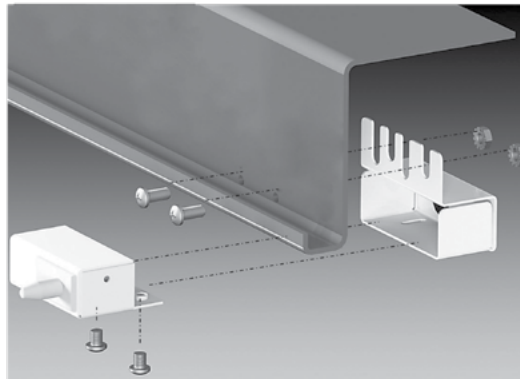


## LIGHT SWITCH MOUNTING BRACKET

Designed to remote mount the door activated light switch when space is limited. Light Switch Mounting Bracket may be used with SCE-LF18, SCE-LF18NO, SCE-LF24 & SCE-LF24NO. For installation information, consult our installation manual at [www.saginawcontrol.com](http://www.saginawcontrol.com).

IS24 - Industry Standards -  
UL Component Recognized

Catalog No.	Height (A)	Width (B)	Depth (C)	Product Code
<a href="#">SCE-LSMB</a>	2.00	2.68	1.00	P2



## FULL LIGHT SWITCH ASSEMBLY

Designed to remote mount the light switch when space is limited.

Catalog No.	Product Code
<a href="#">SCE-LSA</a>	P2



# GENERAL ACCESSORIES

## LED STRIP LIGHT

Catalog No.	Description	Height (A)	Width (B)	Depth (C)	Volt AC/DC	Hz	Product Code
<a href="#">SCE-SLMS</a>	w/ Motion Sensor	13.80	1.38	1.25	24-265	50/60	P2
<a href="#">SCE-SLOF</a>	w/ On/Off Switch	13.80	1.38	1.25	24-265	50/60	P2

Catalog No.	Description	Height (A)	Width (B)	Depth (C)	Volt AC	Hz	Product Code
<a href="#">SCE-SLMS700</a>	LED w/ Motion Sensor 700 Lumens	13.80	1.38	1.25	100-230V	50/60	P2
<a href="#">SCE-SLOF700</a>	LED w/ On/Off Switch 700 Lumens	13.80	1.38	1.25	100-230V	50/60	P2



### Application

LED Strip Lights have a compact design to provide interior lighting for smaller enclosures.

### Construction

- Magnets provided for quick installation to any surface inside the enclosure, also provided with clips that can be mechanically fastened -
- Wire connector for direct power supply wiring -
- Feed in / Feed out Push fit connector on each end of fixture -
- Daisy chain multiple lights continuously up to 16 lights AC or 8 lights DC -
- AC/DC combined voltage or AC voltage available -
- ON/OFF switch or motion sensor available
- 6500K Cool White
- 400 or 700 Lumens available

### IS24 Industry Standards

UL Component Recognized

Catalog No.	Description	Length	Product Code
<a href="#">SCE-SLCC</a>	LED Strip Light Connection Cord	118 inch	P2
<a href="#">SCE-SLDCC39</a>	LED Strip Light Daisy Chain Cord	39 Inch	P2
<a href="#">SCE-SLDCC</a>	LED Strip Light Daisy Chain Cord	19 inch	P2



SCE-SLCC



SCE-SLDCC/39

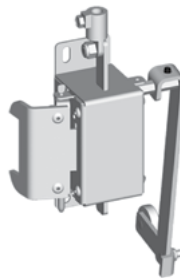
# GENERAL ACCESSORIES

## MECHANICAL INTERLOCK

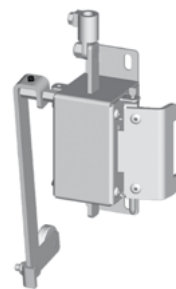
Catalog No.	Description	Qty Per Kit	Product Code
<a href="#">SCE-104941</a>	Interlock for Left Door as Main	1	P2
<a href="#">SCE-105604</a>	Interlock for Right Door as Main	1	P2

Designed for use with Enviroline® two-door enclosures to interlock the master door to the slave door.

**\*For use on enclosures greater than 30" in height with a center channel.**



SCE-104941



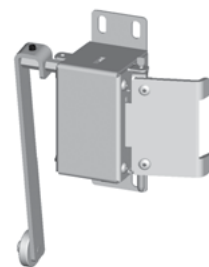
SCE-105604

## MECHANICAL INTERLOCK

Catalog No.	Qty Per Kit	Product Code
<a href="#">SCE-103758</a>	1	P2

Designed for use with two-door enclosures with SCE concealed hinges and with both doors hinged on the left to interlock the master door to the slave door.

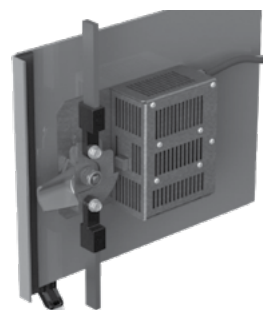
**\*For use on enclosures greater than 30" in height with a center channel.**



## ELECTRICAL INTERLOCK

Catalog No.	AMPS	Hz	Volt	Product Code
<a href="#">SCE-E115I</a>	0.2/0.1	50/60	115/230 AC	P2
<a href="#">SCE-E24I</a>	0.06/0.05	50/60	24 DC	P2
<a href="#">SCE-E460I</a>	0.6		400/480 AC	P2

Designed to provide a safety lockout on an enclosure when the circuits are energized. UL recognized. Works with SCE hardware. For installation information, consult our installation manual at [www.saginawcontrol.com](http://www.saginawcontrol.com).



## ELECTRICAL INTERLOCK DEFEATER

Catalog No.	AMPS	Hz	Volt	Product Code
<a href="#">SCE-EKDF</a>	10	60	120	P2

Designed to provide a key operated momentary contact switch with the contacts normally closed. Turning the key disengages the circuit to the electrical interlock, allowing access to the enclosure. May be used with SCE-E1151 Electrical Interlock.

- 4 amp, 125 vac
- 4 amp, 25 vdc
- 2 amp, 250 vac

IS24 - Industry Standards -  
UL Component Recognized



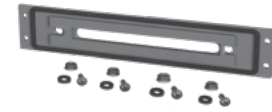


## DISCONNECT ADAPTER KIT

Patent Pending 16/102,913

Catalog No.	Description	Product Code
<a href="#">SCE-UA400V</a>	"U" Style to 400 Amp Style	P2
<a href="#">SCE-UAV</a>	"U" Style to V Style	P2

Designed to convert a SCE - (U) style enclosure to a (V) style. Will accept the following: Allen-Bradley 1494V; Culter-Hammer C361/C371; General Electric Type TDA; ITE Max-Flex FHOH; Square D Class 9422. For installation information consult our installation manual at [www.saginawcontrol.com](http://www.saginawcontrol.com). Made of heavy gauge steel and powder coated ANSI-61 gray. Includes SCE-MDV Mechanical Defeater Kit



SCE-UA400V



SCE-UAV

## BLANK DISCONNECT COVER PLATE

Catalog No.	Description	Product Code
<a href="#">SCE-ABDCP</a>	Carbon Steel for Allen-Bradley F/D Cutout	P2
<a href="#">SCE-DCP</a>	Carbon Steel for Standard SCE Cutout	P2
<a href="#">SCE-DCPSS</a>	Stainless Steel for Standard SCE Cutout	P2

Designed to cover disconnect cutouts in the flange of the enclosure and has an oil-resistant gasket to seal against oil, dust, dirt, and water. Made of heavy gauge steel and powder coated ANSI-61 gray. Stainless plate is made of Type 304 stainless with #4 brushed finish.

# GENERAL ACCESSORIES

## OIL TIGHT HOLE SEALS

Catalog No.	Description	Diameter Inch	Diameter mm	Max. Hole Diameter Inch	Max. Hole Diameter mm	Qty Per Kit	Product Code
<a href="#">SCE-ASPB-09</a>	Steel - ANSI-61 Gray	1.75	44	1.25	30	1	P2
<a href="#">SCE-ASPBG-09</a>	Steel - ANSI-61 Gray	1.22	31	0.875	22	1	P2
<a href="#">SCE-ASPB-RAL7035</a>	Steel - RAL 7035 Gray	1.75	44	1.25	30	1	P2
<a href="#">SCE-ASPBG-RAL7035</a>	Steel - RAL 7035 Gray	1.22	31	0.875	22	1	P2
<a href="#">SCE-ASPB-05</a>	Steel - SCE-05 White	1.75	44	1.25	30	1	P2
<a href="#">SCE-ASPBG-05</a>	Steel - SCE-05 White	1.22	31	0.875	22	1	P2
<a href="#">SCE-ASPB-SS</a>	Stainless Steel	1.75	44	1.25	30	1	P2
<a href="#">SCE-ASPBG-SS</a>	Stainless Steel	1.22	31	0.875	22	1	P2

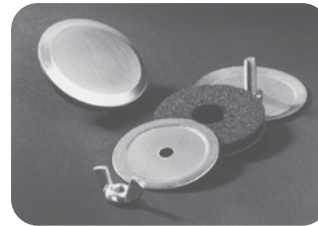
Bulk Parts - 25 Kits per Package

<a href="#">SCE-ASPB-09-25</a>	Steel - ANSI-61 Gray	1.75	44	1.25	30	25	V1
<a href="#">SCE-ASPBG-09-25</a>	Steel - ANSI-61 Gray	1.22	31	0.875	22	25	V1

Extra push button holes can be sealed against dust, dirt, oil, and water with a SCE hole seal. Seals will cover most pushbutton hole sizes. Hole seals come with oil-resistant gasket, #10-32 x 3/8" stud, zinc plated wing nut and plated steel back plate. Available in stainless steel or powder coated finish.

### IS20 - Industry Standard

UL Recognized 3, 3R, 4, 4X & 12  
IEC 60529 IP56



## HOLE SEALS

Catalog No.	Outside Diameter	Min. Hole Size	Max. Hole Size	Product Code
<a href="#">SCE-HPSERIES1</a>	1.00	0.50	0.81	P2
<a href="#">SCE-HPSERIES15</a>	1.20	0.88	0.88	P2
<a href="#">SCE-HPSERIES2</a>	1.50	1.00	1.28	P2
<a href="#">SCE-HPSERIES3</a>	2.00	1.38	1.75	P2
<a href="#">SCE-HPSERIES4</a>	2.75	2.00	2.56	P2
<a href="#">SCE-HPSERIES2-25</a>	1.50	1.00	1.28	V1

Extra pushbutton holes can be sealed against dust, dirt, oil and water. Hole seals are made of corrosion and UV resistant fiberglass, and supplied with gasket and backing nut.

UL recognized 3R, 4, 4X, 12, 6P  
IEC tested to IP66 and IP68



## HOLE SEAL

Catalog No.	Height (A)	Width (B)	Depth (C)	For Hole Dimension	Product Code
<a href="#">SCE-HS2S</a>	3.00	3.00	0.19	2 inch Square	P2

Designed to seal 2 inch square opening against dust, dirt, oil, and water. Hole seals are made of corrosion and UV resistant Polycarbonate material, supplied with adhesive gasket backing for quick, simple installation.

### IS20 - Industry Standard

UL Recognized 3, 3R, 4, 4X & 12  
IEC 60529 IP56





*Your Enclosure Source*®

# NOTES

# SUSPENSION SYSTEM

Product Code C3

## Application

Designed for use with the SCE HMI enclosures, allows operators to easily move or position an HMI to an ergonomic and comfortable working position. Heavy duty and reliable construction. Suspension Systems can be assembled in a multitude of configurations that allow for machine mount, wall-mount, top-mount, and floor-mount options. For installation instructions consult our installation manual at [www.saginawcontrol.com](http://www.saginawcontrol.com).

## Construction

- Cast aluminum couplings.
- Extruded aluminum tubes (6060T66).
- Rotating couplings have adjustable tensioner brakes to control movement while in use.
- Rigid, durable bearings in all rotating couplings withstand the stress of continuous use.
- Open or closed tube design.
- Open tube allows for easy access to lay in wiring, with easy to install push fit rubber cover.
- Closed tube acts as conduit for feeding wiring.
- Removable access covers on all couplings with 90 degree turn.
- Hardware and gasket included for installation of coupling to tube.

## Finish

RAL 7035 powder coated finish.

## Industry Standards

NEMA Type 12  
IEC 60529 IP55

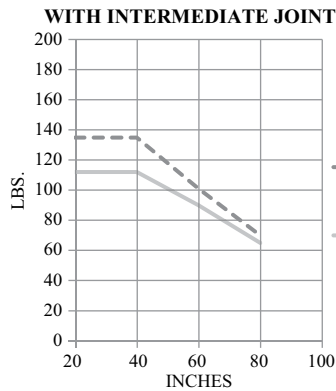


420

Catalog No.	Description	Height	Width	Depth	Load Capacity
<a href="#">SCE-SA45IA</a>	Inclining Adapter 45 deg	4.33	9.29	6.38	
<a href="#">SCE-SA320AC</a>	Angle Coupling, 320 Swivel	5.89	5.08	5.08	
<a href="#">SCE-S AFC</a>	Fixed Coupling	1.85	5.08	5.08	
<a href="#">SCE-SA360C</a>	Coupling, 360 Swivel	4.00	6.00	6.00	
<a href="#">SCE-SATFS</a>	Turnable Foot Stand, 360 Swivel	1.34	5.75	5.75	
<a href="#">SCE-SAFFS</a>	Floor Stand Fixed	1.93	7.68	5.71	
<a href="#">SCE-SAMM</a>	Monitor Mounting Bracket	5.50	5.50	5.50	
<a href="#">SCE-SA90A</a>	Angle 90 deg	6.00	6.00	4.00	
<a href="#">SCE-SA230WH</a>	Wall Hinge, 230 Swivel	9.94	5.43	6.83	
<a href="#">SCE-SA310IJ</a>	Intermediate Joint, 310 Swivel	11.46	5.35	6.34	
<a href="#">SCE-SA310JD</a>	Intermediate Joint, 310 Swivel Down Drop	11.46	5.35	6.34	
<a href="#">SCE-SA310TMJ</a>	Top-Mounted Joint, 310 Swivel	7.17	5.71	7.68	
<a href="#">SCE-SACB11T31</a>	Counter Balance Arm	4.74	3.74	27.28	11-31 lbs
<a href="#">SCE-SACB31T55</a>	Counter Balance Arm	4.74	3.74	27.28	31-55 lbs
<a href="#">SCE-SA79TC</a>	Closed Tube Suspension Profile	78.74	2.56	3.54	
<a href="#">SCE-SA39TC</a>	Closed Tube Suspension Profile	39.37	2.56	3.54	
<a href="#">SCE-SA20TC</a>	Closed Tube Suspension Profile	19.69	2.56	3.54	
<a href="#">SCE-SA08TC</a>	Closed Tube Suspension Profile	7.87	2.56	3.54	
<a href="#">SCE-SA30TC</a>	Closed Tube Suspension Profile	29.53	2.56	3.54	
<a href="#">SCE-SA79T</a>	Open Tube Suspension Profile	78.74	2.56	3.54	
<a href="#">SCE-SA39T</a>	Open Tube Suspension Profile	39.37	2.56	3.54	
<a href="#">SCE-SA20T</a>	Open Tube Suspension Profile	19.69	2.56	3.54	
<a href="#">SCE-SAMM</a>	Monitor Mounting Bracket (RAL 9011 Black)	5.50	5.50	5.33	

\*Suspension Systems parts cannot be custom painted\*

## LOAD DIAGRAMS



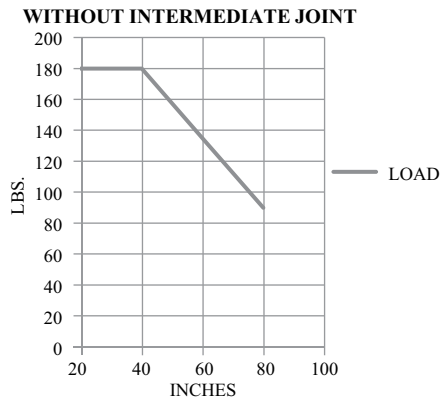
### With Intermediate Joint - Max. Tube Length:

#### Profile Closed:

- 60" distance between wall hinge, top mounted joint and intermediate joint - or -
  - 60" distance between angle and intermediate joint
- Complete length max. 80"

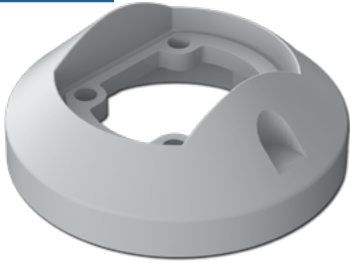
#### Profile Open:

- 40" distance between wall hinge, top mounted joint and intermediate joint - or -
  - 40" distance between angle and intermediate joint
- Complete length max. 80"

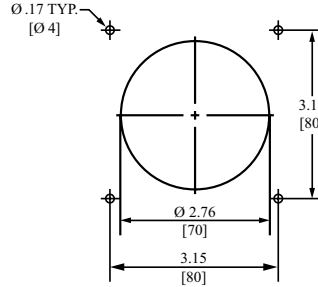


# SUSPENSION SYSTEM TECHNICAL DATA

## SCE-SAFC



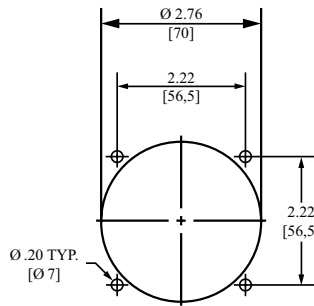
ENCLOSURE MOUNTING HOLE PATTERN



## SCE-SA360C



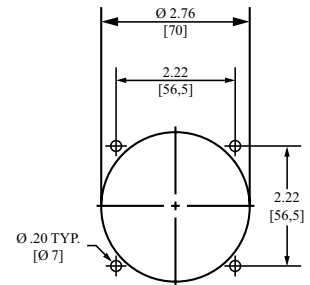
ENCLOSURE MOUNTING HOLE PATTERN



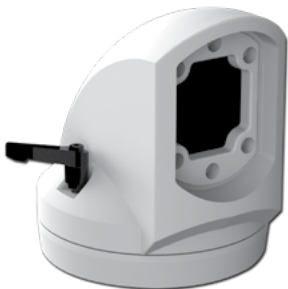
## SCE-SA451A



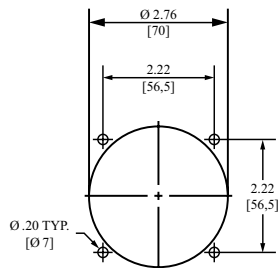
ENCLOSURE MOUNTING HOLE PATTERN



## SCE-SA320AC



ENCLOSURE MOUNTING HOLE PATTERN

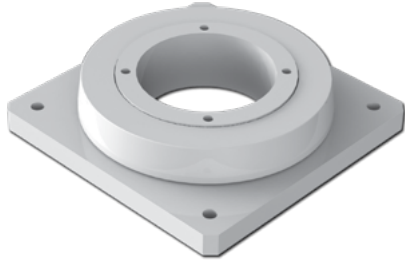


## SCE-SACB11T21 & SCE-SACB31T55

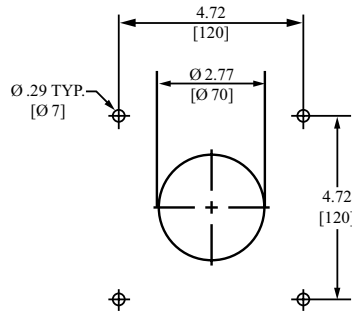


# SUSPENSION SYSTEM TECHNICAL DATA

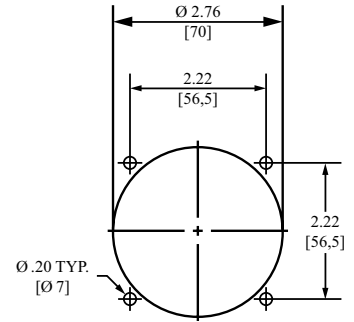
## SCE-SATFS



**BASE MOUNTING  
HOLE PATTERN**



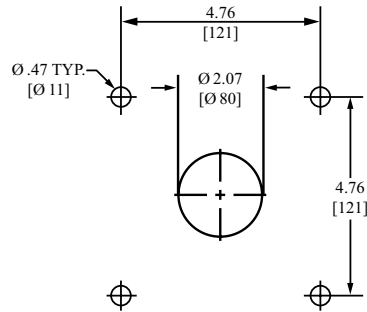
**ENCLOSURE MOUNTING  
HOLE PATTERN**



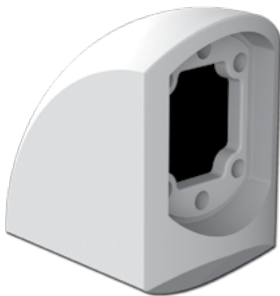
## SCE-SAFFS



**BASE MOUNTING  
HOLE PATTERN**



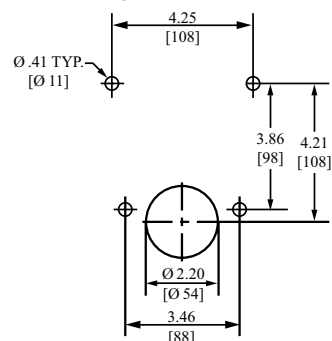
## SCE-SA90A



## SCE-SA230WH



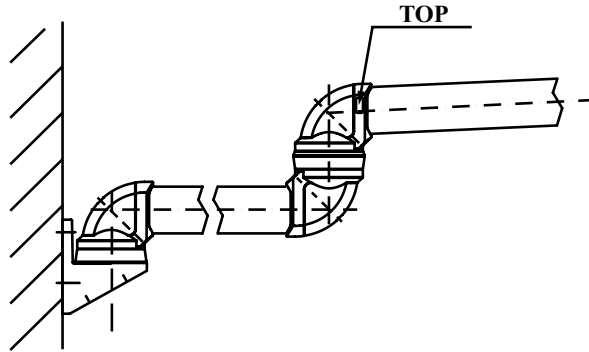
**BASE MOUNTING  
HOLE PATTERN**



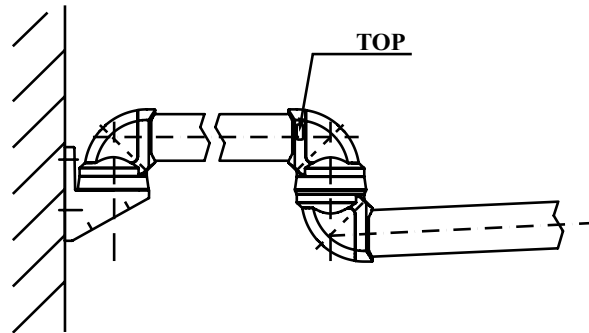
422

# SUSPENSION SYSTEM TECHNICAL DATA

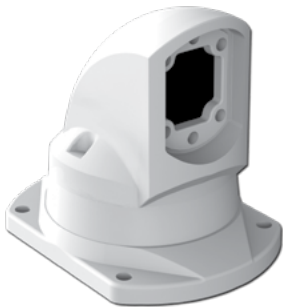
## SCE-SA310IJ



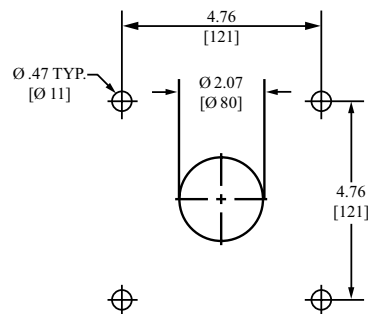
## SCE-SA310IJD



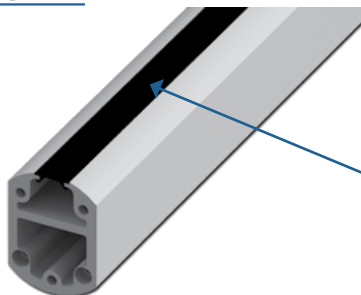
## SCE-SA310TMJ



### BASE MOUNTING HOLE PATTERN

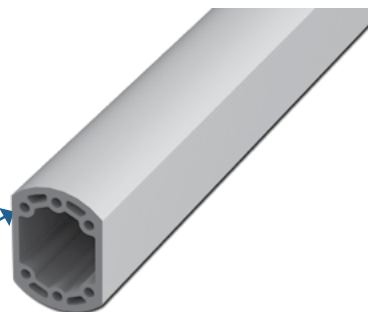


## SCE-SA\*\*T



Removable Push Fit Rubber Cover

## SCE-SA\*\*TC



M8 Threaded holes (x4)



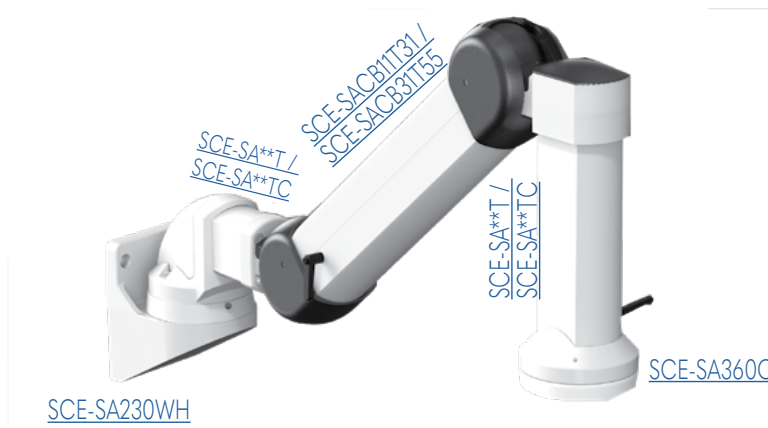
*Your Enclosure Source*®

# POSSIBLE SUSPENSION SYSTEM CONFIGURATIONS

COMBINE TO MAKE SWIVEL & TILT OPTION:



# POSSIBLE SUSPENSION SYSTEM CONFIGURATIONS



# COUNTER BALANCE ARMS

## Application

Designed for use with the SCE HMI enclosures, allows operators to easily move or position an HMI to an ergonomic and comfortable working height. Made of heavy-duty, reliable construction. Counter Balance Systems can be assembled as a wall-mount or top-mount.

## Construction

- Cast aluminum couplings.
- Extruded aluminum tubes (6060T66).
- Push button locking mechanism holds the arm at height that suits the operator.
- Rotating couplings have adjustable tensioner brakes to control movement while in use.
- Rigid, durable bearing in all rotating couplings withstand the stress of continuous use.
- Closed and open tube design.
- Removable access covers on all couplings with 90 degree turn.
- Hardware and gasket included for installation of coupling to tube.
- Range of vertical movement 36.86 inches

## Finish

RAL 7035 powder coated finish.

## Industry Standards

NEMA Type 12  
IEC 60529 IP55

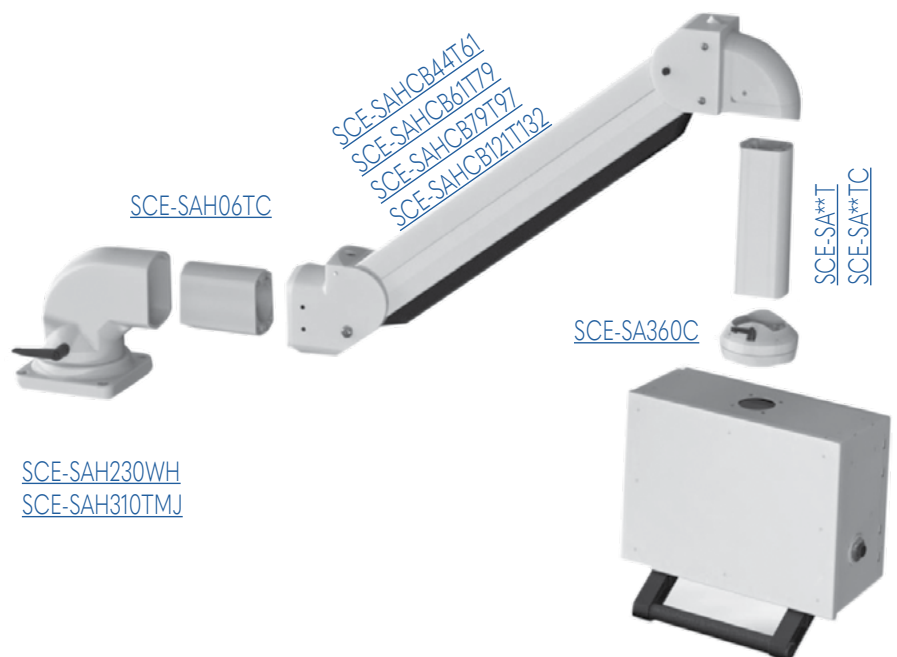
Product Code C3

Catalog No.	Description	Height (A)	Width (B)	Depth (C)	Load Capacity
<a href="#">SCE-SAH230WH</a>	Wall Hinge, 230 Swivel	16.34	6.97	9.45	
<a href="#">SCE-SAH310TMJ</a>	Top-Mount Swivel	9.34	6.97	9.453	
<a href="#">SCE-SAH06TC</a>	Heavy Duty Closed Tube Suspension Profile	6.00	5.00	3.00	
<a href="#">SCE-SAHCB44T61</a>	Counter Balance Arm w/ Pushbutton Lock	8.12	6.97	40.67	44-61 lbs
<a href="#">SCE-SAHCB61T79</a>	Counter Balance Arm w/ Pushbutton Lock	8.12	6.97	40.67	61-79 lbs
<a href="#">SCE-SAHCB79T97</a>	Counter Balance Arm w/ Pushbutton Lock	8.12	6.97 <td 40.67	79-97 lbs	
<a href="#">SCE-SAHCB121T132</a>	Counter Balance Arm Fine Balance Adjustment	8.12	6.97	40.67	112-132 lbs

## COMPONENTS

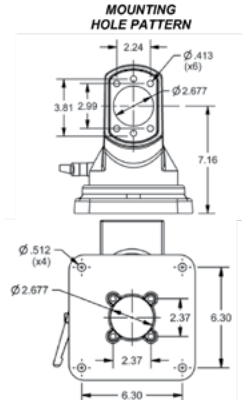
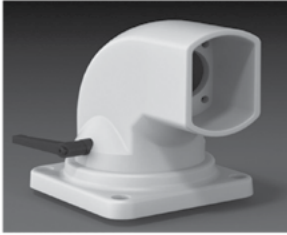
Product Code C3

Catalog No.	Description	Height (A)	Width (B)	Depth (C)
<a href="#">SCE-SA45IA</a>	Inclining Adapter 45 deg	4.33	9.29	6.38
<a href="#">SCE-SA360C</a>	Coupling 360 Swivel	3.19	5.12	5.12
<a href="#">SCE-SA39TC</a>	Closed Tube Suspension Profile	39.37	2.56	3.54
<a href="#">SCE-SA20TC</a>	Closed Tube Suspension Profile	19.69	2.56	3.54
<a href="#">SCE-SA39T</a>	Open Tube Suspension Profile	39.37	2.56	3.54
<a href="#">SCE-SA20T</a>	Open Tube Suspension Profile	19.69	2.56	3.54
<a href="#">SCE-SA08TC</a>	Closed Tube Suspension Profile	7.87	2.56	3.54
<a href="#">SCE-SA30TC</a>	Closed Tube Suspension Profile	29.53	2.56	3.54
<a href="#">SCE-HMICP</a>	Gasketed Cover Plate	3.50	3.50	0.08

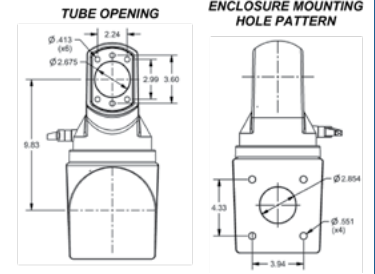


# SUSPENSION SYSTEM TECHNICAL DATA

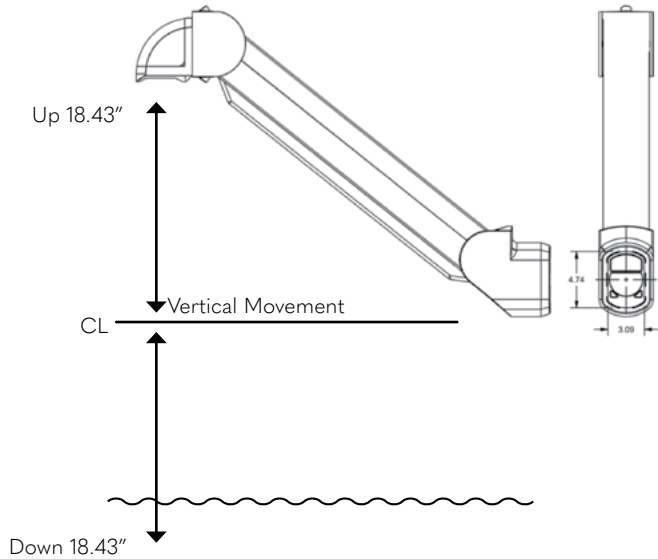
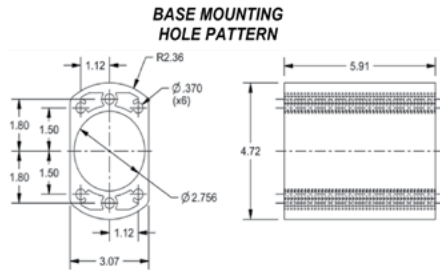
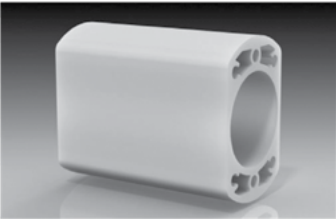
## SCE-SAH310TMJ



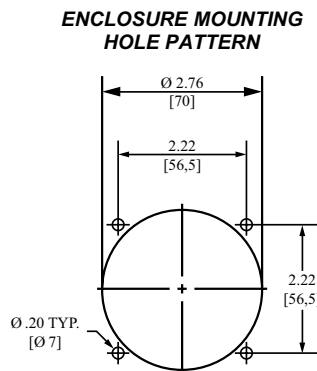
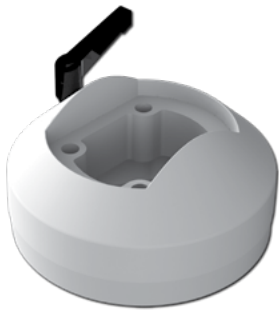
## SCE-SAH230WH



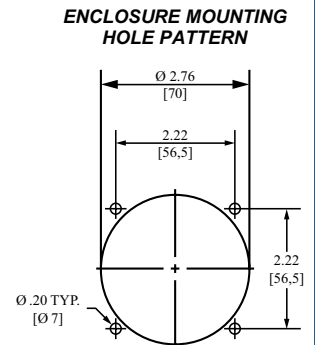
## SCE-SAH06TC



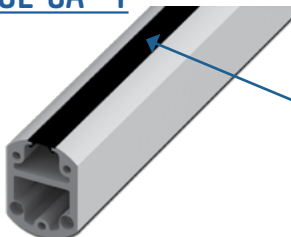
## SCE-SA360C



## SCE-SA451A

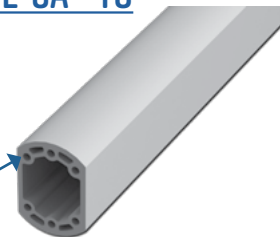


## SCE-SA\*\*T



Removable Push Fit Rubber Cover

## SCE-SA\*\*TC



M8 Threaded holes (x4)

# STAINLESS STEEL SUSPENSION SYSTEM

## Application

Designed for use with the SCE HMI enclosures, allows operators to easily move or position an HMI to an ergonomic and comfortable working position. Heavy duty and reliable construction. Suspension Systems can be assembled in a multitude of configurations that allow for machine mount, wall-mount, top-mount, and floor-mount options. For installation instructions consult our installation manual at [www.saginawcontrol.com](http://www.saginawcontrol.com)

## Construction

- 304 Stainless Steel couplings.
- 304 Stainless Steel tubes.
- Rotating couplings have adjustable tensioner brakes to control movement while in use.
- O-Ring Gaskets at all connections maintain oil and water tight seal.
- Continuous closed tube – S, J and I shape designs.
- Closed tube acts as conduit for feeding wiring.
- Rigid, durable bearing in all rotating couplings withstand the stress of continuous use.
- Removable access covers on all couplings with 90 degree turn.
- Stainless Steel Hardware included for installation of coupling to tube.

## Finish

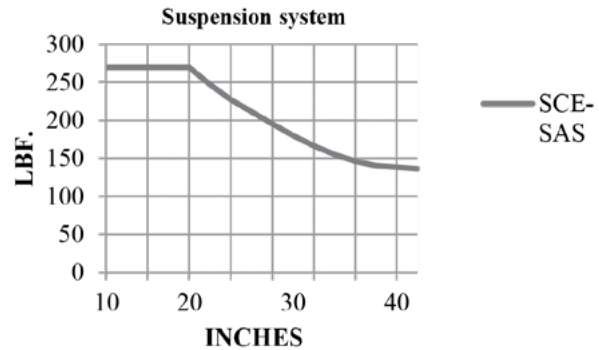
#4 brushed finish

## Industry Standards

NEMA Type 4X  
IEC 60529 IP55

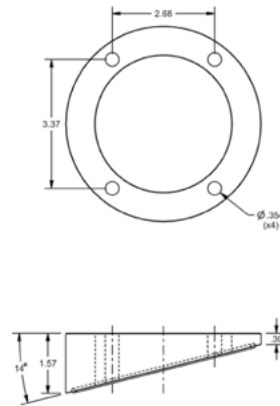
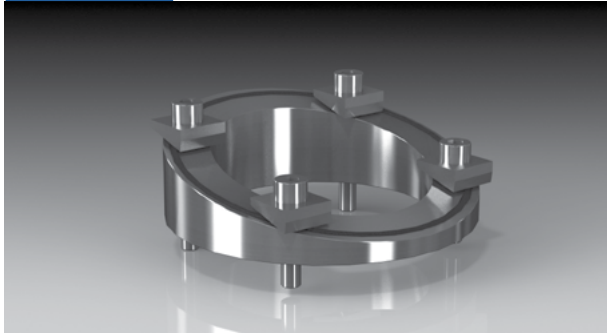
Catalog No.	Description	Height	Width (A)	Depth	Product Code
<a href="#">SCE-SAS360C</a>	Coupling 360 Swivel	3.19	5.12	5.12	C3
<a href="#">SCE-SASFSCO</a>	Floor Stand with Cable Outlet	4.52	5.12	5.12	C3
<a href="#">SCE-SAS310TM</a>	Top-Mounted Joint 310 Swivel	3.19	5.12	5.12	C3
<a href="#">SCE-SASWMA</a>	Wall Bracket Adapter	5.87	7.54	5.12	C3
<a href="#">SCE-SAS14A</a>	Angle Adapter 14 Degree	1.57	5.12	5.143	C3
<a href="#">SCE-SAS20J</a>	Stainless Steel J Profile Tube	19.69	11.81	2.36	C3
<a href="#">SCE-SAS30J</a>	Stainless Steel J Profile Tube	29.53	29.53	2.36	C3
<a href="#">SCE-SAS39J</a>	Stainless Steel J Profile Tube	29.53	39.37	2.36	C3
<a href="#">SCE-SAS20S</a>	Stainless Steel S Profile Tube	23.62	19.68	2.36	C3
<a href="#">SCE-SAS39S</a>	Stainless Steel S Profile Tube	23.62	39.37	2.36	C3
<a href="#">SCE-SAS20I</a>	Stainless Steel Straight Tube	19.69	2.36	2.36	C3
<a href="#">SCE-SAS39I</a>	Stainless Steel Straight Tube	39.37	2.36	2.36	C3
<a href="#">SCE-SAS59I</a>	Stainless Steel Straight Tube	59.06	2.36	2.36	C3

## LOAD DIAGRAM

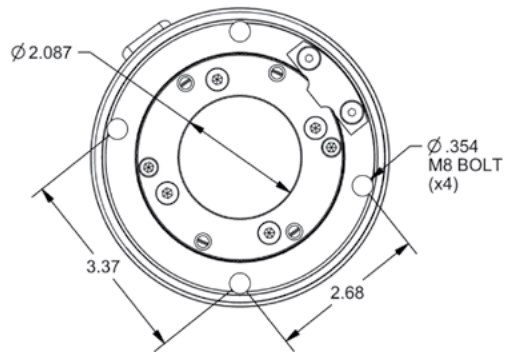
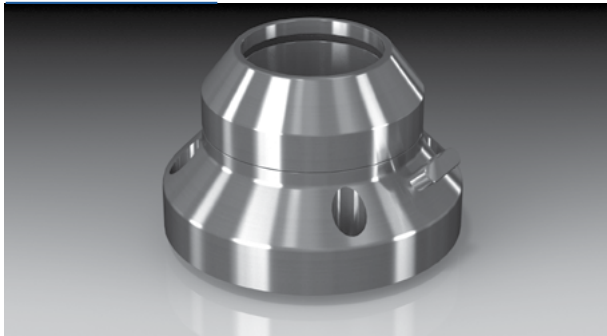


# STAINLESS STEEL SUSPENSION SYSTEM TECHNICAL DATA

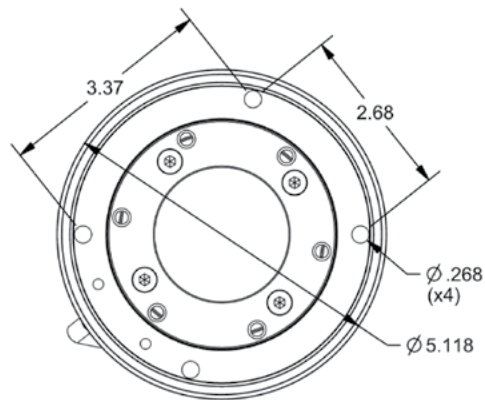
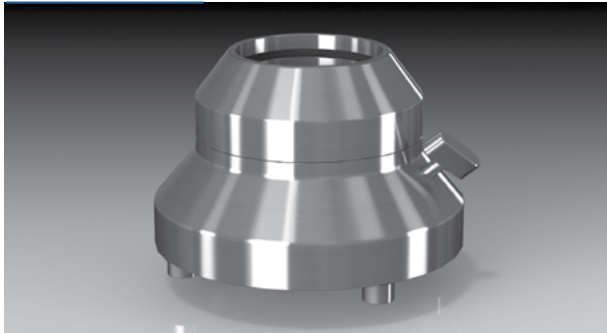
**SCE-SAS14A**



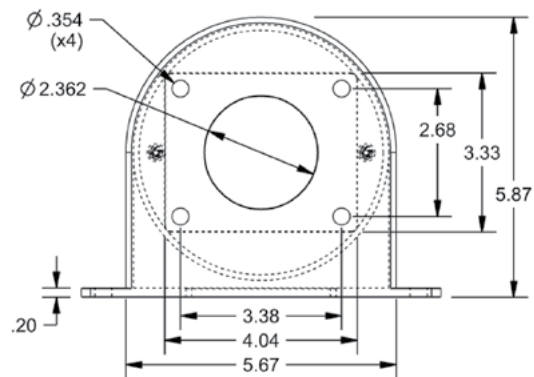
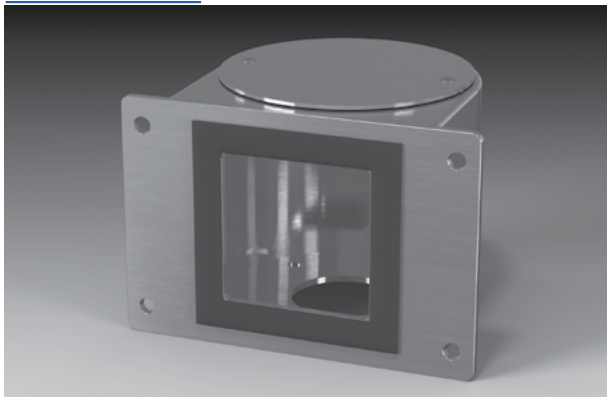
**SCE-SAS310TM**



**SCE-SAS360C**

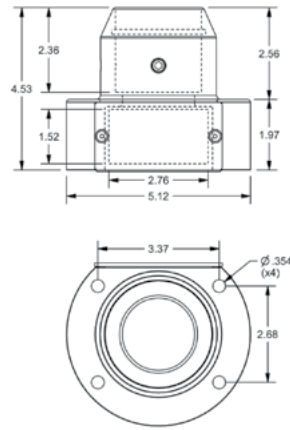
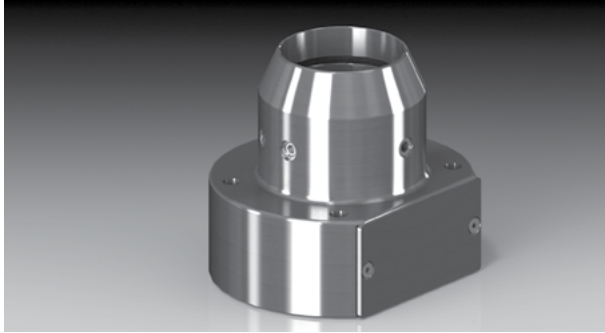


**SCE-SASWMA**

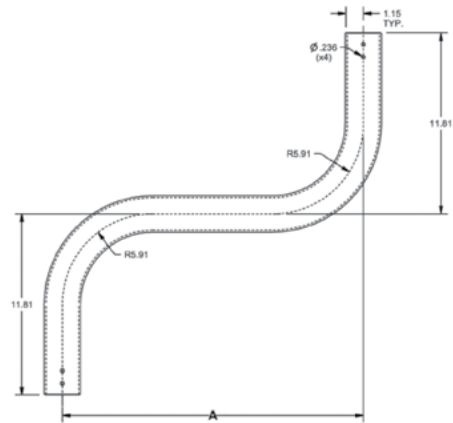
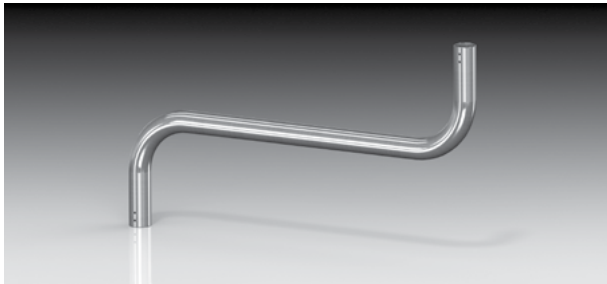


# STAINLESS STEEL SUSPENSION SYSTEM

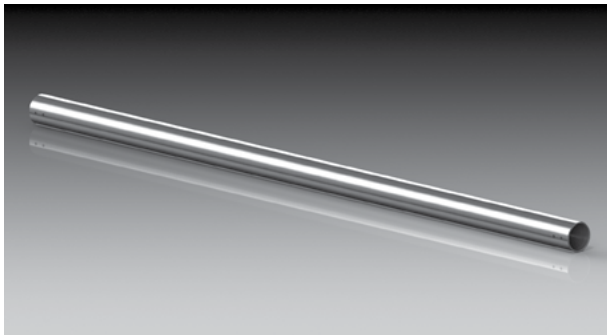
## SCE-SASFSCO



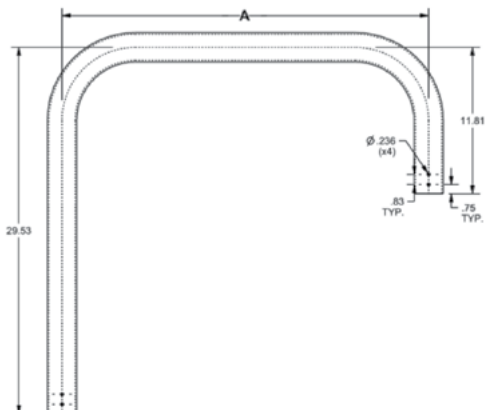
## SCE-SAS\*\*S



## SCE-SAS\*\*I



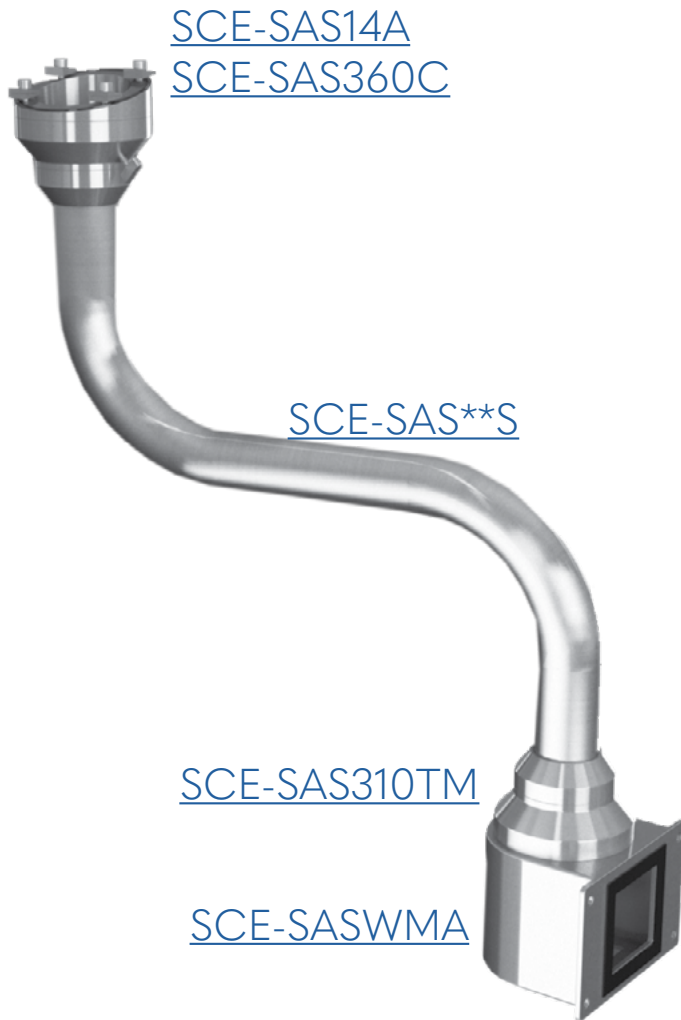
## SCE-SAS\*\*J



430

# STAINLESS STEEL SUSPENSION SYSTEMS

POSSIBLE SYSTEM CONFIGURATIONS



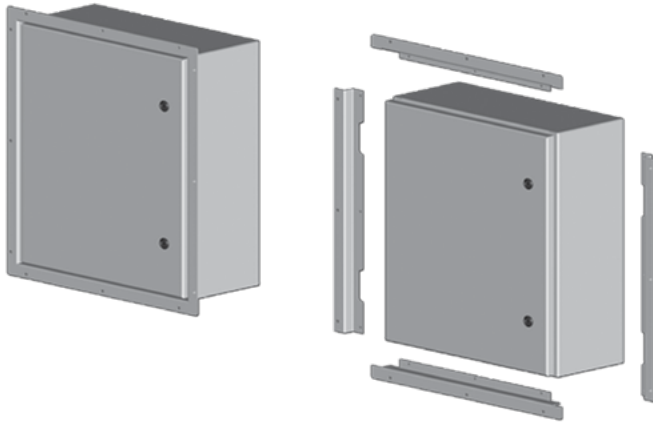
## EL FLUSH MOUNT FRAME

Flush Mount Frames are designed for use with the Enviroline® Series Wall-Mount Enclosures, quickly converting the wall-mount enclosure to a flush mount enclosure.

Two part numbers are required to complete the assembly: one part number for the height of the enclosure and one part number for the width of the enclosure.

All kits are provided with hardware to assemble the frame to the enclosure and maintain the environmental rating of the enclosure. For technical information, consult our installation manual at [www.saginawcontrol.com](http://www.saginawcontrol.com).

Frame is made of heavy gauge steel and finished with ANSI-61 gray powder coat. "SS" parts are made of heavy gauge Type 316/316L stainless steel with #4 brushed finish.



## MOUNTING OPTIONS

Catalog No.	Enclosure Height	Enclosure Width	Product Code
<a href="#">SCE-ELFM12H</a>	12.00		P2
<a href="#">SCE-ELFM16H</a>	16.00		P2
<a href="#">SCE-ELFM20H</a>	20.00		P2
<a href="#">SCE-ELFM24H</a>	24.00		P2
<a href="#">SCE-ELFM30H</a>	30.00		P2
<a href="#">SCE-ELFM36H</a>	36.00		P2
<a href="#">SCE-ELFM12HSS</a>	12.00		P2
<a href="#">SCE-ELFM16HSS</a>	16.00		P2
<a href="#">SCE-ELFM20HSS</a>	20.00		P2
<a href="#">SCE-ELFM24HSS</a>	24.00		P2
<a href="#">SCE-ELFM30HSS</a>	30.00		P2
<a href="#">SCE-ELFM36HSS</a>	36.00		P2
<a href="#">SCE-ELFM12W</a>		12.00	P2
<a href="#">SCE-ELFM16W</a>		16.00	P2
<a href="#">SCE-ELFM20W</a>		20.00	P2
<a href="#">SCE-ELFM24W</a>		24.00	P2
<a href="#">SCE-ELFM30W</a>		30.00	P2
<a href="#">SCE-ELFM36W</a>		36.00	P2
<a href="#">SCE-ELFM12WSS</a>		12.00	P2
<a href="#">SCE-ELFM16WSS</a>		16.00	P2
<a href="#">SCE-ELFM20WSS</a>		20.00	P2
<a href="#">SCE-ELFM24WSS</a>		24.00	P2
<a href="#">SCE-ELFM30WSS</a>		30.00	P2
<a href="#">SCE-ELFM36WSS</a>		36.00	P2

## WALL-MOUNT STANDOFFS

Wall-mount standoffs are intended to provide space between a wall-mount enclosure and the wall for better wash down accessibility that is required in some applications. Provided with silicone seals to maintain seal between the standoff and the mounting surfaces. Maintains Type 4X rating. Four standoffs and eight silicone seals per kit.



Catalog No.	Length	Product Code
<a href="#">SCE-WMS1SS</a>	1.00	P2
<a href="#">SCE-WMS2SS</a>	2.00	P2
<a href="#">SCE-WMS3SS</a>	3.00	P2
<a href="#">SCE-WMS4SS</a>	4.00	P2

## POLE MOUNT KIT

Pole Mount kit designed to easily adapt to most wall-mount enclosure type such as the Enviroline® Enclosures with mounting holes through the back and HLP type with External mounting ears. Mount to various pole sizes and shapes. Includes two high strength extruded aluminum mounting channels that make for easy length modifications, two straps suitable for 3-in. to 16-in. diameter pole and mounting hardware.

Catalog No.	Height	Width	Depth	Product Code
<a href="#">SCE-PMK17</a>	3.00	17.00	6.00	P2
<a href="#">SCE-PMK26</a>	3.00	26.00	6.00	P2
<a href="#">SCE-PMK32</a>	3.00	32.00	6.00	P2



## POLE MOUNT HANGER

Used to simplify hanging larger weight enclosures and increase load strength. May be used with or without straps.

Catalog No.	Height	Width	Finish	Product Code
<a href="#">SCE-PMHK</a>	5.00	5.50	Zinc	P2





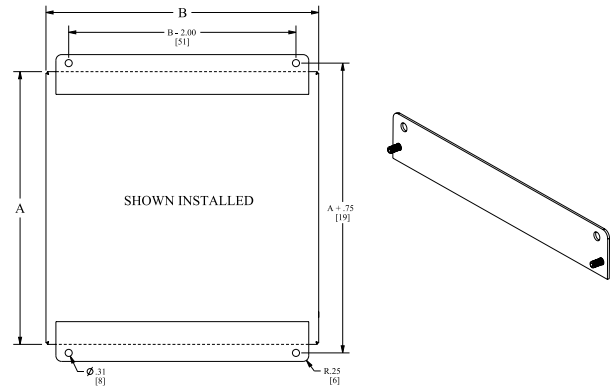
# MOUNTING OPTIONS

## TYPE I MOUNTING STRAPS

Catalog No.	For Use With	Product Code
<a href="#">SCE-NMST6</a>	6 Inch Wide NEMA 1 Enclosure	P2
<a href="#">SCE-NMST8</a>	8 Inch Wide NEMA 1 Enclosure	P2
<a href="#">SCE-NMST10</a>	10 Inch Wide NEMA 1 Enclosure	P2
<a href="#">SCE-NMST12</a>	12 Inch Wide NEMA 1 Enclosure	P2
<a href="#">SCE-NMST16</a>	16 Inch Wide NEMA 1 Enclosure	P2
<a href="#">SCE-NMST20</a>	20 Inch Wide NEMA 1 Enclosure	P2
<a href="#">SCE-NMST24</a>	24 Inch Wide NEMA 1 Enclosure	P2

Designed to install on wall-mount Type 1 enclosures. Two mounting straps per kit. Made of heavy gauge carbon steel, powder coated ANSI-61 gray. Hardware is included to fasten mounting strap kit to the enclosure. For installation information, consult our installation manual at [www.saginawcontrol.com](http://www.saginawcontrol.com).

Provided with UL Recognized sealing washer to maintain Environmental Rating of the enclosure.

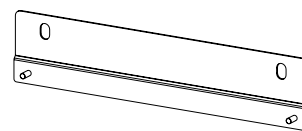
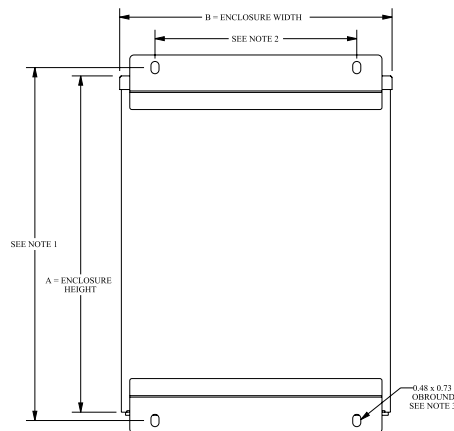


Catalog No.	For Use With	Product Code
<a href="#">SCE-MST4</a>	4 Inch Wide 3R Enclosure	P2
<a href="#">SCE-MST6</a>	6 Inch Wide 3R Enclosure	P2
<a href="#">SCE-MST8</a>	8 Inch Wide 3R Enclosure	P2
<a href="#">SCE-MST10</a>	10 Inch Wide 3R Enclosure	P2
<a href="#">SCE-MST12</a>	12 Inch Wide 3R Enclosure	P2
<a href="#">SCE-MST16</a>	16 Inch Wide 3R Enclosure	P2
<a href="#">SCE-MST20</a>	20 Inch Wide 3R Enclosure	P2
<a href="#">SCE-MST24</a>	24 Inch Wide 3R Enclosure	P2

## TYPE 3R MOUNTING STRAPS

Designed to install on wall-mount Type 3R enclosures. Two mounting straps per kit. Made of heavy gauge carbon steel, powder coated ANSI-61 gray. Hardware is included to fasten mounting strap kit to the enclosure. For installation information, consult our installation manual at [www.saginawcontrol.com](http://www.saginawcontrol.com).

Provided with UL Recognized sealing washer to maintain Environmental Rating of the enclosure.



- NOTES:
1. A + 1.00 FOR HINGED COVER ENCLOSURES  
A + 1.43 FOR SCREW COVER ENCLOSURES
  2. B - 4.00 FOR ENCLOSURES ≥ 12" WIDE  
B - 2.00 FOR ENCLOSURES < 12" WIDE
  3. 0.28 x 0.50 FOR ENCLOSURES < 12" WIDE

## MOUNTING STRAPS FOR VENTED 3R ENCLOSURES

Catalog No.	For Use With	Product Code
<a href="#">SCE-VRMS24</a>	24 Inch Wide Vented 3R Enclosure	P2
<a href="#">SCE-VRMS36</a>	36 Inch Wide Vented 3R Enclosure	P2

Designed to install on wall-mount Vented 3R enclosures. Two mounting straps per kit. Made of heavy gauge carbon steel, powder coated white. Hardware is included to fasten mounting strap kit to the enclosure.

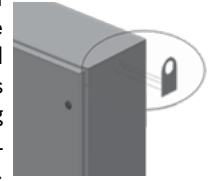
Provided with UL Recognized sealing washer to maintain Environmental Rating of the enclosure.

# MOUNTING OPTIONS

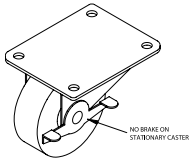
## LIFTING LUGS

Catalog No.	Description	Qty Per Kit	Product Code
<a href="#">SCE-LLB5</a>	Steel, Zinc Plated	2	P2
<a href="#">SCE-LLB5SS</a>	316 Stainless Steel, #4 Brush Finish	2	P2
<a href="#">SCE-LLB7</a>	For Use with Vented 3R Enclosures Steel, Powder Coated White	2	P2
<b>Bulk Parts</b>			
<a href="#">SCE-LLB5-25</a>	Steel Zinc Plated	25 sets of 2	V1

Lifting lugs are designed to be mounted to the left and right side of a standard wall-mount type enclosure for easy handling of fully wired enclosures. Mounting hardware is included. UL Recognized sealing washers supplied to maintain UL ratings of Type 3R, 4, 4X and 12.



## CASTERS



Set of 4 casters. Swivel casters have ball bearing pivots and brakes. Load rating 250 lbs for each caster. For technical information, consult our installation manual at [www.saginawcontrol.com](http://www.saginawcontrol.com).

Catalog No.	Description	Size of Wheel	Product Code
<a href="#">SCE-CAKR</a>	Set of 4 - 2 Rigid, 2 Swivel	3"	P2
<a href="#">SCE-CAKS</a>	Set of 4 Swivel Casters	3"	P2
<a href="#">SCE-CAKR4</a>	Set of 4 - 2 Rigid, 2 Swivel	4"	P2
<a href="#">SCE-CAKS4</a>	Set of 4 Swivel Casters	4"	P2

## LEVELING PADS

Designed to attach to the bottom of the enclosure to allow for adjustments for uneven floors. Pads are zinc plated with a plastic base.



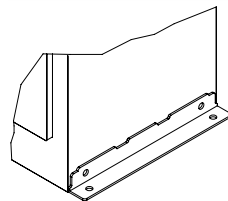
Catalog No.	Qty Per Kit	Thread Size	Height	Product Code
<a href="#">SCE-LPD2</a>	4	3/8 - 16	2.00	P2

## ANGLE IRON MOUNTING FEET

Designed for use with free-standing type enclosures when the enclosure must be secured to a concrete floor or base. Two angle iron-mounting feet per kit. Made of heavy gauge carbon steel powder coated ANSI-61 gray. Hardware is included to fasten mounting foot kit to the enclosure.

Provided with UL Recognized sealing washer to maintain Environmental Rating of the enclosure.

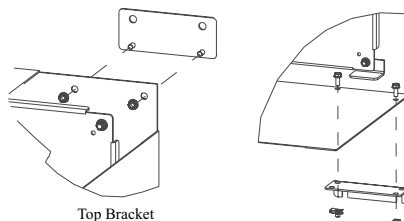
Catalog No.	Used on Enclosure Depth	Product Code
<a href="#">SCE-XMAIMF16</a>	16"	P2
<a href="#">SCE-XMAIMF16LG</a>	16"	P2
<a href="#">SCE-XMAIMF18</a>	18"	P2
<a href="#">SCE-XMAIMF20</a>	20"	P2
<a href="#">SCE-XMAIMF24</a>	24"	P2
<a href="#">SCE-XMAIMF24LG</a>	24"	P2



Catalog No.	Description	Qty Per Kit	Product Code
<a href="#">SCE-HDWMK</a>	Mounting Kit for use with Multi-Door Free-Standing / Wall-Mount Enclosures	4	P2
<a href="#">SCE-HDWMKSS</a>	Mounting Kit for use with Multi-Door Free-Standing / Wall-Mount Enclosures	4	P2

## HEAVY DUTY MOUNTING KIT FOR FREE-STANDING/WALL-MOUNT ENCLOSURES

Designed for use on SCE Multi-Door Free-Standing/Wall-Mount enclosures. Four mounting feet per kit, made of heavy gauge stainless steel with a black textured finish. Hardware is included to fasten mounting kit to the enclosure.



# MOUNTING OPTIONS

## MOUNTING FOOT KIT

Made for use with all SCE Enviroline® Series enclosures and two-door wall-mount enclosures. Chemical and Corrosion resistant Polyamide material for use in type 3, 3R, 4, 4X and 12 enclosures.

Catalog No.	Fasteners	Qty Per Kit	NEMA Rating	Product Code
<a href="#">SCE-ELMFK4</a>	Stainless Steel	4	4 & 12	P2
<a href="#">SCE-ELMFK6</a>	Stainless Steel	6	4 & 12	P2
<b>Bulk Parts</b>				
<a href="#">SCE-ELMFK4-25</a>	Stainless Steel	25 sets of 4	4 & 12	V1



Catalog No.	Fasteners	Qty Per Kit	NEMA Rating	Product Code
<a href="#">SCE-ELMFK4SS6-OS</a>	Stainless Steel Type 316	4	4, 4X & 12	P2

## S.S. MOUNTING FOOT KIT

Made for use with all SCE Enviroline® Series enclosures and two-door wall-mount enclosures. Made of heavy gauge stainless steel type 316/316L with stainless steel stud. Available in kits of four.

## MOUNTING FOOT KIT FOR HLP

Catalog No.	Fasteners	Qty Per Kit	NEMA Rating	Product Code
<a href="#">SCE-HLPMFK</a>	Zinc Die Cast and Zinc Plated	4	4, 4X & 12	P2

Made for use on HLP enclosures. Zinc die cast and zinc plated.

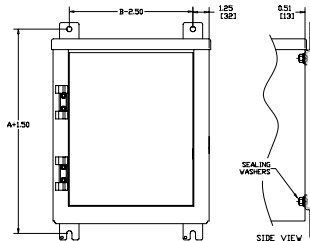


## TYPE 3R MOUNTING FOOT KIT

Designed for use on large wall-mount type 3R enclosures. Four mounting feet per kit, made of heavy gauge carbon steel and powder coated ANSI-61 gray. Hardware is included to fasten mounting foot kit to the enclosure.

Provided with UL Recognized sealing washer to maintain Environmental Rating of the enclosure.

Catalog No.	Height (A)	Width (B)	Depth (C)	Product Code
<a href="#">SCE-N3RMFK4</a>	3.25	2.00	0.51	P2



## ENVIROLINE® JUNCTION ENCLOSURE (ELJ MOUNTING) FOOT KIT

Made for use with all SCE Enviroline® Series junction enclosures. Chemical and Corrosion resistant Polyamide material rated for type 3, 3R, 4, 4X and 12 with stainless steel fasteners. Four mounting feet per kit. Hardware is included to fasten mounting foot kit to the enclosure.

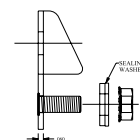
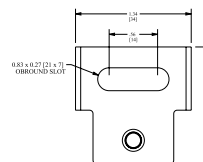
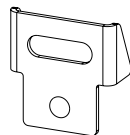
Catalog No.	Height (A)	Width (B)	Qty Per Kit	Product Code
<a href="#">SCE-ELJMKF</a>	2.13	1.25	4	P2



## S.S. ENVIROLINE® JUNCTION ENCLOSURE (ELJ MOUNTING) FOOT KIT

Made for use with all SCE Enviroline® Series junction enclosures. Four mounting feet per kit, made from type 304 stainless steel. Hardware is included to fasten the mounting foot kit to the enclosure.

Catalog No.	Height (A)	Width (B)	Qty Per Kit	Product Code
<a href="#">SCE-ELJMKFSS-OS</a>	2.13	1.25	4	P2



# MOUNTING OPTIONS

## FLOOR STAND KIT

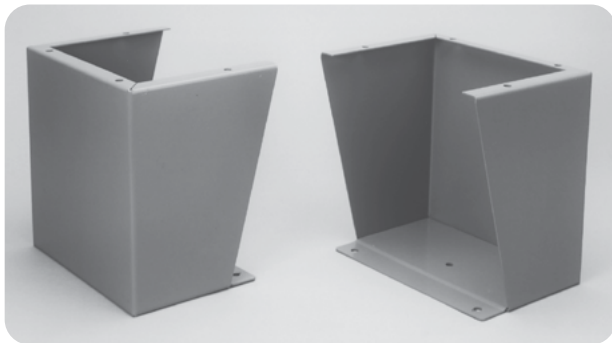
Can be installed on most wall-mounted enclosures with a width of 20 inches or more. Can also be installed on SCE free-standing enclosures. Kits include two stands. This configuration can be ordered in special sizes. Consult a factory representative for price and delivery. For specifications, consult our installation manual at [www.saginawcontrol.com](http://www.saginawcontrol.com).

Made of carbon steel and finished with ANSI-61 recoatable gray finish. "LG" parts finished RAL 7035 Gray.

Catalog No.	Height (A)	Width (B)	Finish	Product Code
<a href="#">SCE-FK0418</a>	4.00	18.00	ANSI-61 Gray	P2
<a href="#">SCE-FK0608</a>	6.00	8.00	ANSI-61 Gray	P2
<a href="#">SCE-FK0610</a>	6.00	10.00	ANSI-61 Gray	P2
<a href="#">SCE-FK0612</a>	6.00	12.00	ANSI-61 Gray	P2
<a href="#">SCE-FK0614</a>	6.00	14.00	ANSI-61 Gray	P2
<a href="#">SCE-FK0616</a>	6.00	16.00	ANSI-61 Gray	P2
<a href="#">SCE-FK0618</a>	6.00	18.00	ANSI-61 Gray	P2
<a href="#">SCE-FK0620</a>	6.00	20.00	ANSI-61 Gray	P2
<a href="#">SCE-FK0624</a>	6.00	24.00	ANSI-61 Gray	P2
<a href="#">SCE-FK0636</a>	6.00	36.00	ANSI-61 Gray	P2
<a href="#">SCE-FK1208</a>	12.00	8.00	ANSI-61 Gray	P2
<a href="#">SCE-FK1210</a>	12.00	10.00	ANSI-61 Gray	P2
<a href="#">SCE-FK1212</a>	12.00	12.00	ANSI-61 Gray	P2
<a href="#">SCE-FK1214</a>	12.00	14.00	ANSI-61 Gray	P2
<a href="#">SCE-FK1216</a>	12.00	16.00	ANSI-61 Gray	P2
<a href="#">SCE-FK1218</a>	12.00	18.00	ANSI-61 Gray	P2
<a href="#">SCE-FK1220</a>	12.00	20.00	ANSI-61 Gray	P2
<a href="#">SCE-FK1224</a>	12.00	24.00	ANSI-61 Gray	P2
<a href="#">SCE-FK1512</a>	15.00	12.00	ANSI-61 Gray	P2
<a href="#">SCE-FK1516</a>	15.00	16.00	ANSI-61 Gray	P2
<a href="#">SCE-FK1518</a>	15.00	18.00	ANSI-61 Gray	P2
<a href="#">SCE-FK1524</a>	15.00	24.00	ANSI-61 Gray	P2
<a href="#">SCE-FK1808</a>	18.00	8.00	ANSI-61 Gray	P2
<a href="#">SCE-FK1810</a>	18.00	10.00	ANSI-61 Gray	P2
<a href="#">SCE-FK1812</a>	18.00	12.00	ANSI-61 Gray	P2
<a href="#">SCE-FK1816</a>	18.00	16.00	ANSI-61 Gray	P2
<a href="#">SCE-FK1818</a>	18.00	18.00	ANSI-61 Gray	P2
<a href="#">SCE-FK1824</a>	18.00	24.00	ANSI-61 Gray	P2
<a href="#">SCE-FK2408</a>	24.00	8.00	ANSI-61 Gray	P2
<a href="#">SCE-FK2410</a>	24.00	10.00	ANSI-61 Gray	P2
<a href="#">SCE-FK2412</a>	24.00	12.00	ANSI-61 Gray	P2
<a href="#">SCE-FK2416</a>	24.00	16.00	ANSI-61 Gray	P2
<a href="#">SCE-FK0418LG</a>	4.00	18.00	RAL 7035 Gray	P2
<a href="#">SCE-FK0608LG</a>	6.00	8.00	RAL 7035 Gray	P2
<a href="#">SCE-FK0610LG</a>	6.00	10.00	RAL 7035 Gray	P2
<a href="#">SCE-FK0612LG</a>	6.00	12.00	RAL 7035 Gray	P2
<a href="#">SCE-FK0618LG</a>	6.00	18.00	RAL 7035 Gray	P2
<a href="#">SCE-FK0624LG</a>	6.00	24.00	RAL 7035 Gray	P2
<a href="#">SCE-FK1208LG</a>	12.00	8.00	RAL 7035 Gray	P2
<a href="#">SCE-FK1210LG</a>	12.00	10.00	RAL 7035 Gray	P2
<a href="#">SCE-FK1212LG</a>	12.00	12.00	RAL 7035 Gray	P2
<a href="#">SCE-FK1216LG</a>	12.00	16.00	RAL 7035 Gray	P2
<a href="#">SCE-FK1218LG</a>	12.00	18.00	RAL 7035 Gray	P2
<a href="#">SCE-FK1220LG</a>	12.00	20.00	RAL 7035 Gray	P2
<a href="#">SCE-FK1224LG</a>	12.00	24.00	RAL 7035 Gray	P2
<a href="#">SCE-FK1512LG</a>	15.00	12.00	RAL 7035 Gray	P2
<a href="#">SCE-FK1516LG</a>	15.00	16.00	RAL 7035 Gray	P2
<a href="#">SCE-FK1518LG</a>	15.00	18.00	RAL 7035 Gray	P2
<a href="#">SCE-FK1524LG</a>	15.00	24.00	RAL 7035 Gray	P2
<a href="#">SCE-FK1808LG</a>	18.00	8.00	RAL 7035 Gray	P2
<a href="#">SCE-FK1810LG</a>	18.00	10.00	RAL 7035 Gray	P2
<a href="#">SCE-FK1812LG</a>	18.00	12.00	RAL 7035 Gray	P2
<a href="#">SCE-FK1816LG</a>	18.00	16.00	RAL 7035 Gray	P2
<a href="#">SCE-FK1824LG</a>	18.00	24.00	RAL 7035 Gray	P2
<a href="#">SCE-FK2412LG</a>	24.00	12.00	RAL 7035 Gray	P2
<a href="#">SCE-FK1214-05</a>	12.00	14.00	SCE-05 White	P2
<a href="#">SCE-FK1216-05</a>	12.00	16.00	SCE-05 White	P2

# MOUNTING OPTIONS

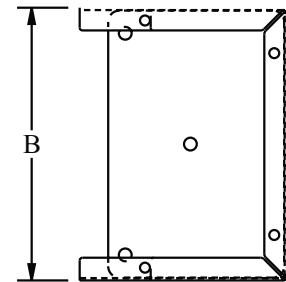
Catalog No.	Height (A)	Width (B)	Finish	Product Code
<a href="#">SCE-FK0616SS</a>	6.00	16.00	#4 Brushed Finish	P2
<a href="#">SCE-FK0618SS</a>	6.00	18.00	#4 Brushed Finish	P2
<a href="#">SCE-FK0624SS</a>	6.00	24.00	#4 Brushed Finish	P2
<a href="#">SCE-FK1208SS</a>	12.00	8.00	#4 Brushed Finish	P2
<a href="#">SCE-FK1210SS</a>	12.00	10.00	#4 Brushed Finish	P2
<a href="#">SCE-FK1212SS</a>	12.00	12.00	#4 Brushed Finish	P2
<a href="#">SCE-FK1216SS</a>	12.00	16.00	#4 Brushed Finish	P2
<a href="#">SCE-FK1218SS</a>	12.00	18.00	#4 Brushed Finish	P2
<a href="#">SCE-FK1220SS</a>	12.00	20.00	#4 Brushed Finish	P2
<a href="#">SCE-FK1224SS</a>	12.00	24.00	#4 Brushed Finish	P2
<a href="#">SCE-FK1512SS</a>	15.00	12.00	#4 Brushed Finish	P2
<a href="#">SCE-FK1518SS</a>	15.00	18.00	#4 Brushed Finish	P2
<a href="#">SCE-FK1524SS</a>	15.00	24.00	#4 Brushed Finish	P2
<a href="#">SCE-FK1812SS</a>	18.00	12.00	#4 Brushed Finish	P2
<a href="#">SCE-FK1818SS</a>	18.00	18.00	#4 Brushed Finish	P2
<a href="#">SCE-FK2410SS</a>	24.00	10.00	#4 Brushed Finish	P2
<a href="#">SCE-FK2412SS</a>	24.00	12.00	#4 Brushed Finish	P2
<a href="#">SCE-FK2416SS</a>	24.00	16.00	#4 Brushed Finish	P2
<a href="#">SCE-FK1212SS6</a>	12.00	12.00	#4 Brushed Finish	P2
<a href="#">SCE-FK1216SS6</a>	12.00	16.00	#4 Brushed Finish	P2
<a href="#">SCE-FK1218SS6</a>	12.00	18.00	#4 Brushed Finish	P2
<a href="#">SCE-FK1224SS6</a>	12.00	24.00	#4 Brushed Finish	P2
<a href="#">SCE-FK1512SS6</a>	15.00	12.00	#4 Brushed Finish	P2
<a href="#">SCE-FK1518SS6</a>	15.00	18.00	#4 Brushed Finish	P2
<a href="#">SCE-FK1524SS6</a>	15.00	24.00	#4 Brushed Finish	P2
<a href="#">SCE-FK1818SS6</a>	18.00	18.00	#4 Brushed Finish	P2
<a href="#">SCE-FK2412SS6</a>	24.00	12.00	#4 Brushed Finish	P2



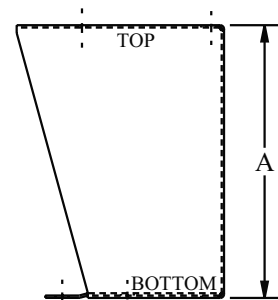
## FLOOR STAND KIT STAINLESS STEEL

Can be installed on most wall-mounted enclosures with a width of 20 inches or more. Can also be installed on SCE free-standing enclosures. Kits include two stands. This configuration can be ordered in special sizes. Consult a factory representative for price and delivery. For specifications, consult our installation manual at [www.saginawcontrol.com](http://www.saginawcontrol.com).

“SS” parts are made of stainless steel Type 304 with #4 brushed finish. “SS6” parts are made of stainless steel Type 316/316L with #4 brushed finish



TOP VIEW OF LEG



SIDE VIEW OF LEG

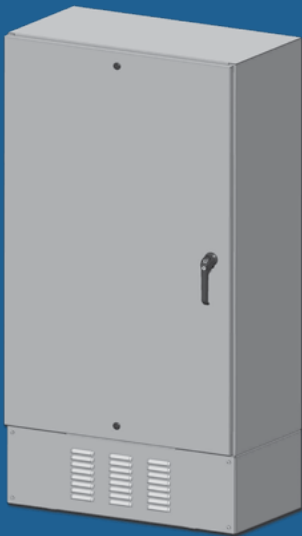
# SKIRT PANEL

## Application

Designed for use with standard floor stand kits, to restrict access or conceal the area under the enclosure. Louvered skirts available to conceal transformers or other devices in this area while allowing air circulation. Heavy gauge construction. Each skirt panel will fit a range of enclosure widths. Installed by drilling holes in floor stand kit (not included). Skirt Kit includes two panels and mounting hardware. For technical information, consult our installation manual at [www.saginawcontrol.com](http://www.saginawcontrol.com)

## Material

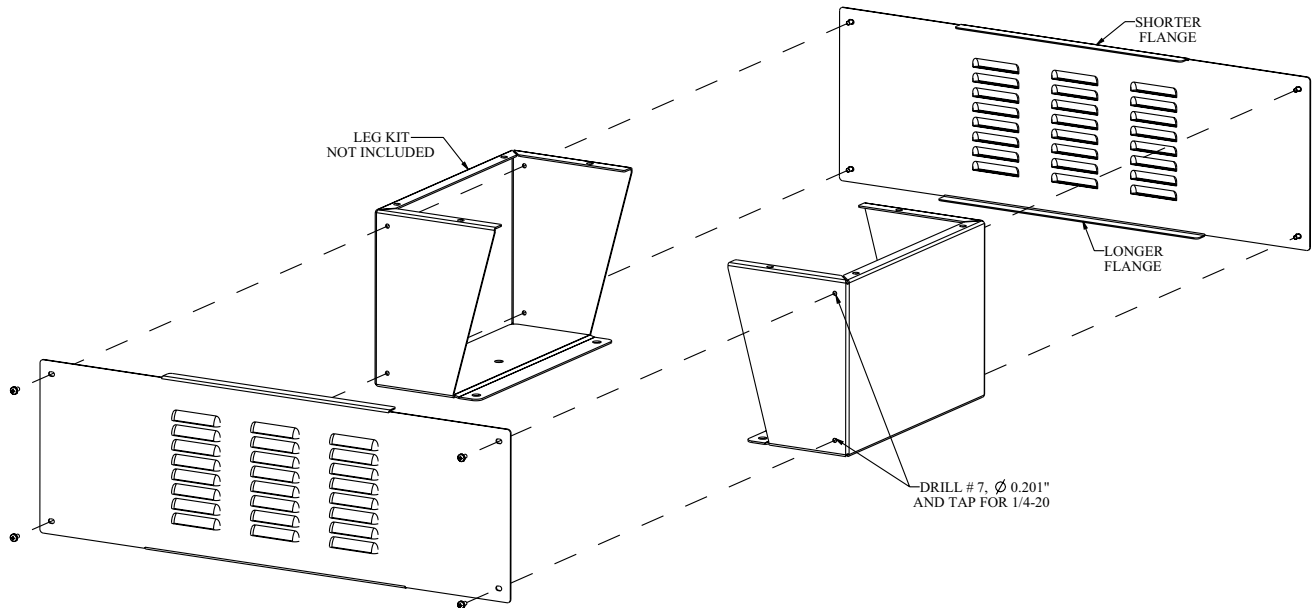
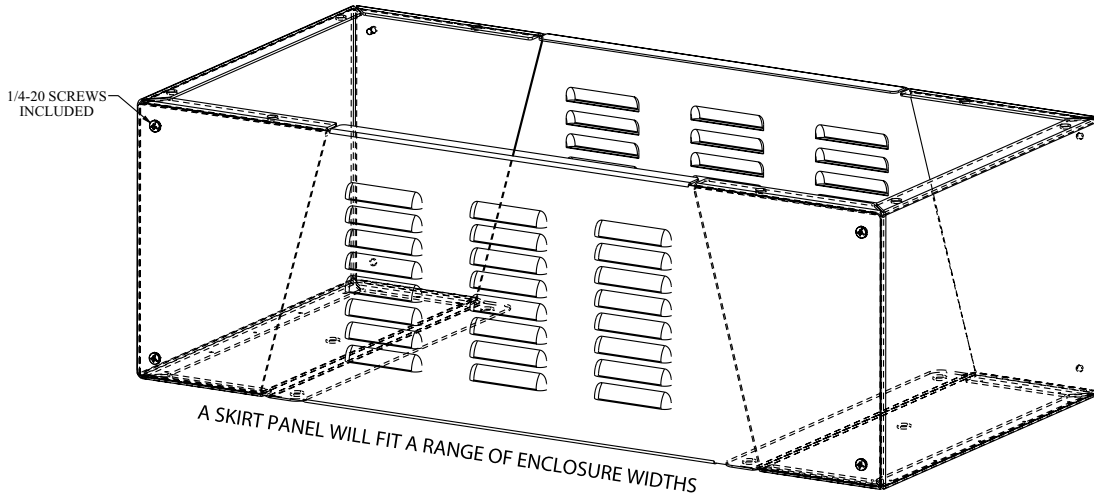
Carbon Steel, Powder Coated ANSI-61 Gray  
"SS" - Type 304 Stainless Steel, #4 Brushed Finish on all exterior surfaces



Catalog No.	Height (A)	Width (B)	Min. Enclosure Width	Max. Enclosure Width	Product Code
<a href="#">SCE-SK123644</a>	12.00	35.75	36.00	44.00	P2
<a href="#">SCE-SK124856</a>	12.00	47.75	48.00	56.00	P2
<a href="#">SCE-SK126068</a>	12.00	59.75	60.00	68.00	P2
<a href="#">SCE-SK127280</a>	12.00	71.75	72.00	80.00	P2
<a href="#">SCE-SK153644</a>	15.00	35.75	36.00	44.00	P2
<a href="#">SCE-SK154856</a>	15.00	47.75	48.00	56.00	P2
<a href="#">SCE-SK156068</a>	15.00	59.75	60.00	68.00	P2
<a href="#">SCE-SK157280</a>	15.00	71.75	72.00	80.00	P2
<b>Louvered</b>					
<a href="#">SCE-SKL123644</a>	12.00	35.75	36.00	44.00	P2
<a href="#">SCE-SKL124856</a>	12.00	47.75	48.00	56.00	P2
<a href="#">SCE-SKL126068</a>	12.00	59.75	60.00	68.00	P2
<a href="#">SCE-SKL127280</a>	12.00	71.75	72.00	80.00	P2
<a href="#">SCE-SKL153644</a>	15.00	35.75	36.00	44.00	P2
<a href="#">SCE-SKL154856</a>	15.00	47.75	48.00	56.00	P2
<a href="#">SCE-SKL156068</a>	15.00	59.75	60.00	68.00	P2
<a href="#">SCE-SKL157280</a>	15.00	71.75	72.00	80.00	P2
<b>Stainless Steel</b>					
<a href="#">SCE-SK123644SS</a>	12.00	35.75	36.00	44.00	P2
<a href="#">SCE-SK124856SS</a>	12.00	47.75	48.00	56.00	P2
<a href="#">SCE-SK126068SS</a>	12.00	59.75	60.00	68.00	P2
<a href="#">SCE-SK127280SS</a>	12.00	71.75	72.00	80.00	P2
<a href="#">SCE-SK153644SS</a>	15.00	35.75	36.00	44.00	P2
<a href="#">SCE-SK154856SS</a>	15.00	47.75	48.00	56.00	P2
<a href="#">SCE-SK156068SS</a>	15.00	59.75	60.00	68.00	P2
<a href="#">SCE-SK157280SS</a>	15.00	71.75	72.00	80.00	P2
<b>Louvered</b>					
<a href="#">SCE-SKL123644SS</a>	12.00	35.75	36.00	44.00	P2
<a href="#">SCE-SKL124856SS</a>	12.00	47.75	48.00	56.00	P2
<a href="#">SCE-SKL126068SS</a>	12.00	59.75	60.00	68.00	P2
<a href="#">SCE-SKL127280SS</a>	12.00	71.75	72.00	80.00	P2
<a href="#">SCE-SKL153644SS</a>	15.00	35.75	36.00	44.00	P2
<a href="#">SCE-SKL154856SS</a>	15.00	47.75	48.00	56.00	P2
<a href="#">SCE-SKL156068SS</a>	15.00	59.75	60.00	68.00	P2
<a href="#">SCE-SKL157280SS</a>	15.00	71.75	72.00	80.00	P2

# SKIRT PANEL INSTALLATION INFORMATION

1. INSTALL LEG KIT ON ENCLOSURE.
2. CENTER SKIRT PANEL BETWEEN LEGS WITH THE SHORTER FLANGE ON TOP.
3. USING THE SKIRT PANEL AS A TEMPLATE, DRILL A # 7 HOLE,  $\varnothing 0.201"$  AND TAP FOR A 1/4-20 SCREW.



# MOUNTING PANELS

## SUB-PANELS

### Construction

Sub-panels are constructed from carbon steel. Size determines steel thickness.

### Options

Configuration A - Add (SS) to the end of the sub-panel part number. (Example: SCE-12P10SS). Sub-panels are made of 316/316L stainless steel.

Configuration B & C - Add (SS) to the end of the sub-panel part number for 304 stainless steel (Example: SCE-30P30SS). Add (SS6) to the end of the sub-panel part number for 316/316L stainless steel (Example: SCE-30P30SS6).

### Finish

Powder Coated White.

Catalog No.	Height (A)	Width (B)	Configuration	Edge Flanges	Product Code
<a href="#">SCE-6P4</a>	5.00	3.00	A	Flat	P3
<a href="#">SCE-6P6</a>	5.00	5.00	A	Flat	P3
<a href="#">SCE-8P6</a>	7.00	5.00	A	Flat	P3
<a href="#">SCE-8P8</a>	7.00	7.00	A	Flat	P3
<a href="#">SCE-10P6</a>	9.00	5.00	A	Flat	P3
<a href="#">SCE-10P8</a>	9.00	7.00	A	Flat	P3
<a href="#">SCE-10P10</a>	9.00	9.00	A	Flat	P3
<a href="#">SCE-12P6</a>	11.00	5.00	A	Flat	P3
<a href="#">SCE-12P10</a>	11.00	9.00	A	Flat	P3
<a href="#">SCE-12DLP12</a>	9.00	9.00	B	Flat	P3
<a href="#">SCE-12P12</a>	11.00	11.00	A	Flat	P3
<a href="#">SCE-12P24</a>	9.00	21.00	C	Four	P3
<a href="#">SCE-14P6</a>	13.00	5.00	A	Flat	P3
<a href="#">SCE-14P8</a>	13.00	7.00	A	Flat	P3
<a href="#">SCE-14P12</a>	13.00	11.00	A	Flat	P3
<a href="#">SCE-16P10</a>	15.00	9.00	A	Flat	P3
<a href="#">SCE-16P12</a>	13.00	9.00	B	Flat	P3
<a href="#">SCE-16PB12</a>	15.00	11.00	A	Flat	P3
<a href="#">SCE-16DLP14</a>	13.00	11.00	B	Flat	P3
<a href="#">SCE-16P14</a>	15.00	13.00	A	Flat	P3
<a href="#">SCE-16P16</a>	13.00	13.00	B	Flat	P3
<a href="#">SCE-18P16PC</a>	16.88	14.88	A	Flat	P3
<a href="#">SCE-20P12</a>	17.00	9.00	B	Flat	P3
<a href="#">SCE-20P16</a>	17.00	13.00	B	Flat	P3
<a href="#">SCE-20P16JGALV</a>	19.00	15.00	A	Flat	P3
<a href="#">SCE-20P18HMI</a>	19.00	17.00	A	Flat	P3
<a href="#">SCE-20P20</a>	17.00	17.00	B	Flat	P3
<a href="#">SCE-20P20J</a>	19.00	19.00	A	Flat	P3
<a href="#">SCE-24P16</a>	21.00	13.00	C	Four	P3
<a href="#">SCE-24P20</a>	21.00	17.00	C	Four	P3
<a href="#">SCE-24P24</a>	21.00	21.00	C	Four	P3
<a href="#">SCE-24P24PC</a>	22.75	22.75	A	Flat	P3
<a href="#">SCE-30P16</a>	27.00	13.00	C	Four	P3
<a href="#">SCE-30P20</a>	27.00	17.00	C	Four	P3
<a href="#">SCE-30P24</a>	27.00	21.00	C	Four	P3
<a href="#">SCE-30P30</a>	27.00	27.00	C	Four	P3
<a href="#">SCE-36P16</a>	33.00	13.00	C	Four	P3
<a href="#">SCE-36P24</a>	33.00	21.00	C	Four	P3
<a href="#">SCE-36P30</a>	33.00	27.00	C	Four	P3
<a href="#">SCE-36P36</a>	33.00	33.00	C	Four	P3
<a href="#">SCE-36P52</a>	32.00	48.00	C	Four	P3
<a href="#">SCE-40P24</a>	37.00	21.00	C	Four	P3
<a href="#">SCE-42P24</a>	39.00	21.00	C	Four	P3
<a href="#">SCE-42P30</a>	39.00	27.00	C	Four	P3
<a href="#">SCE-42P36</a>	39.00	33.00	C	Four	P3
<a href="#">SCE-42P42</a>	39.00	39.00	C	Four	P3
<a href="#">SCE-42P52</a>	38.00	48.00	C	Four	P3
<a href="#">SCE-48P24</a>	45.00	21.00	C	Four	P3
<a href="#">SCE-48P30</a>	45.00	27.00	C	Four	P3
<a href="#">SCE-48P36</a>	45.00	33.00	C	Four	P3
<a href="#">SCE-48P37</a>	44.00	34.00	C	Four	P3
<a href="#">SCE-48P42</a>	45.00	39.00	C	Four	P3
<a href="#">SCE-48P48</a>	44.00	44.00	C	Four	P3
<a href="#">SCE-48P76</a>	44.00	72.00	C	Four	P3
<a href="#">SCE-60P24</a>	57.00	21.00	C	Four	P3
<a href="#">SCE-60P30</a>	57.00	27.00	C	Four	P3
<a href="#">SCE-60P36</a>	57.00	33.00	C	Four	P3
<a href="#">SCE-60PC36</a>	55.63	33.00	C	Four	P3
<a href="#">SCE-60P42</a>	57.00	39.00	C	Four	P3
<a href="#">SCE-60BFP42</a>	56.00	38.00	C	Four	P3
<a href="#">SCE-60P48</a>	56.00	44.00	C	Four	P3



# MOUNTING PANELS

## SUB-PANELS

### Construction

Sub-panels are constructed from carbon steel. Size determines steel thickness.

### Options

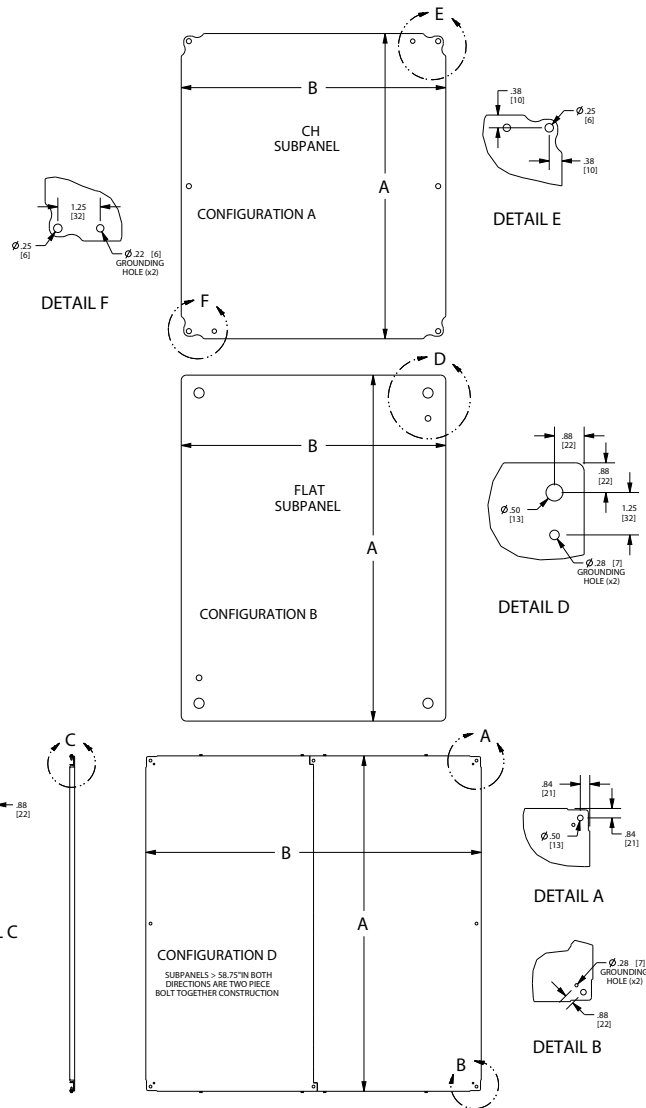
Configuration A - Add (SS) to the end of the sub-panel part number. (Example: SCE-12P10SS). Sub-panels are made of 316/316L stainless steel.

Configuration B & C - Add (SS) to the end of the sub-panel part number for 304 stainless steel (Example: SCE-30P30SS). Add (SS6) to the end of the sub-panel part number for 316/316L stainless steel (Example: SCE-30P30SS6).

### Finish

Powder Coated White.

Catalog No.	Height (A)	Width (B)	Configuration	Edge Flanges	Product Code
<a href="#">SCE-60P60</a>	56.00	56.00	C	Four	P3
<a href="#">SCE-60P76</a>	56.00	72.00	C	Four	P3
<a href="#">SCE-64P25</a>	60.00	21.75	C	Four	P3
<a href="#">SCE-64P31</a>	60.00	27.75	C	Four	P3
<a href="#">SCE-64P37</a>	60.00	33.75	C	Four	P3
<a href="#">SCE-64P52</a>	60.00	48.00	C	Four	P3
<a href="#">SCE-64P64</a>	60.00	60.00	C	Four	P3
<a href="#">SCE-64P76</a>	60.00	72.00	C	Four	P3
<a href="#">SCE-72P30</a>	69.00	27.00	C	Four	P3
<a href="#">SCE-72P36</a>	69.00	33.00	C	Four	P3
<a href="#">SCE-72P48</a>	68.00	44.00	C	Four	P3
<a href="#">SCE-72P60</a>	68.00	56.00	C	Four	P3
<a href="#">SCE-72P72</a>	68.00	68.00	C	Four	P3
<a href="#">SCE-76P37</a>	72.00	33.75	C	Four	P3
<a href="#">SCE-76P76</a>	72.00	72.00	C	Four	P3
<a href="#">SCE-82P37</a>	78.00	33.75	C	Four	P3
<a href="#">SCE-82P76</a>	78.00	72.00	C	Four	P3



# MOUNTING PANELS

## STAINLESS STEEL SUB-PANELS

### Construction

Sub-panels are constructed from stainless steel. Size determines steel thickness.

### Finish

Configuration A - (Example: SCE-12P10SS). Sub-panels are made of 316/316L stainless steel with #4 brushed finish.

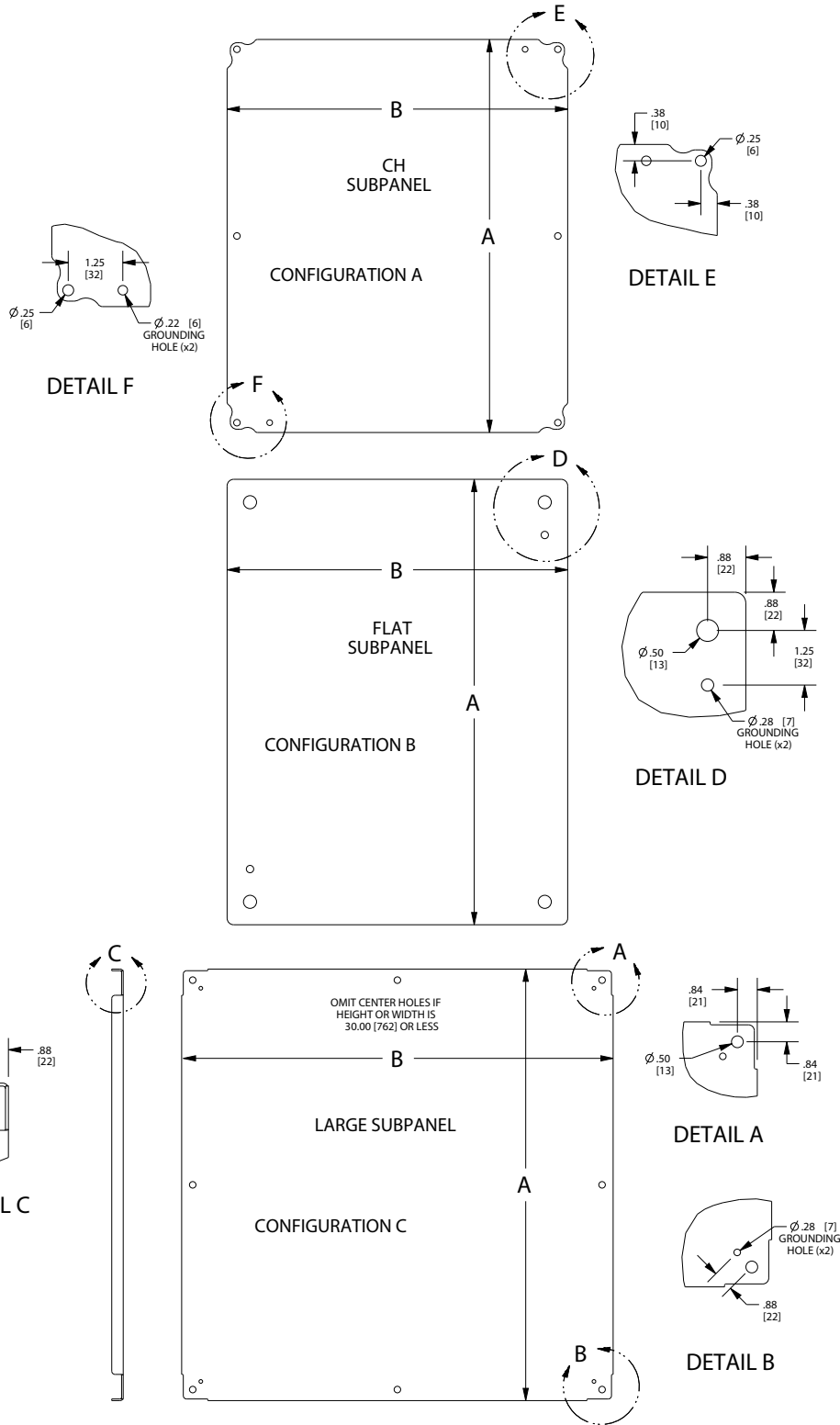
Configuration B & C - (Example: SCE-30P30SS) Sub-panels are made of 304 stainless steel with #4 brushed finish.

### Options

Configuration B & C - Add (6) to the end of the sub-panel part number for 316/316L stainless steel (Example: SCE-30P30SS6).

Catalog No.	Height (A)	Width (B)	Configuration	Edge Flanges	Product Code
<a href="#">SCE-6P4SS</a>	5.00	3.00	A	Flat	P3
<a href="#">SCE-6P6SS</a>	5.00	5.00	A	Flat	P3
<a href="#">SCE-8P6SS</a>	7.00	5.00	A	Flat	P3
<a href="#">SCE-10P8SS</a>	9.00	7.00	A	Flat	P3
<a href="#">SCE-10P10SS</a>	9.00	9.00	A	Flat	P3
<a href="#">SCE-12P10SS</a>	11.00	9.00	A	Flat	P3
<a href="#">SCE-12P12SS</a>	11.00	11.00	A	Flat	P3
<a href="#">SCE-14P12SS</a>	13.00	11.00	A	Flat	P3
<a href="#">SCE-16P12SS</a>	13.00	9.00	A	Flat	P3
<a href="#">SCE-16P14SS</a>	15.00	13.00	A	Flat	P3
<a href="#">SCE-16P16SS</a>	13.00	13.00	B	Flat	P3
<a href="#">SCE-20P16SS</a>	17.00	13.00	B	Flat	P3
<a href="#">SCE-20P20SS</a>	17.00	17.00	B	Flat	P3
<a href="#">SCE-20P20SS6</a>	17.00	17.00	B	Flat	P3
<a href="#">SCE-24P16SS</a>	21.00	13.00	C	Four	P3
<a href="#">SCE-24P16SS6</a>	21.00	13.00	C	Four	P3
<a href="#">SCE-24P20SS</a>	21.00	17.00	C	Four	P3
<a href="#">SCE-24P20SS6</a>	21.00	17.00	C	Four	P3
<a href="#">SCE-24P24SS</a>	21.00	21.00	C	Four	P3
<a href="#">SCE-30P20SS6</a>	27.00	17.00	C	Four	P3
<a href="#">SCE-24P24SS6</a>	21.00	21.00	C	Four	P3
<a href="#">SCE-30P24SS</a>	27.00	21.00	C	Four	P3
<a href="#">SCE-30P24SS6</a>	27.00	21.00	C	Four	P3
<a href="#">SCE-30P30SS</a>	27.00	27.00	C	Four	P3
<a href="#">SCE-30P30SS6</a>	27.00	27.00	C	Four	P3
<a href="#">SCE-36P16SS</a>	33.00	13.00	C	Four	P3
<a href="#">SCE-36P16SS6</a>	33.00	13.00	C	Four	P3
<a href="#">SCE-36P24SS</a>	33.00	21.00	C	Four	P3
<a href="#">SCE-36P24SS6</a>	33.00	21.00	C	Four	P3
<a href="#">SCE-36P30SS</a>	33.00	27.00	C	Four	P3
<a href="#">SCE-36P30SS6</a>	33.00	27.00	C	Four	P3
<a href="#">SCE-36P36SS</a>	33.00	33.00	C	Four	P3
<a href="#">SCE-36P36SS6</a>	33.00	33.00	C	Four	P3
<a href="#">SCE-42P30SS</a>	39.00	27.00	C	Four	P3
<a href="#">SCE-42P30SS6</a>	39.00	27.00	C	Four	P3
<a href="#">SCE-42P36SS</a>	39.00	33.00	C	Four	P3
<a href="#">SCE-42P36SS6</a>	39.00	33.00	C	Four	P3
<a href="#">SCE-48P24SS</a>	45.00	21.00	C	Four	P3
<a href="#">SCE-48P24SS6</a>	45.00	21.00	C	Four	P3
<a href="#">SCE-48P36SS</a>	45.00	33.00	C	Four	P3
<a href="#">SCE-48P36SS6</a>	45.00	33.00	C	Four	P3
<a href="#">SCE-60P30SS</a>	57.00	27.00	C	Four	P3
<a href="#">SCE-60P30SS6</a>	57.00	27.00	C	Four	P3
<a href="#">SCE-60P36SS</a>	57.00	33.00	C	Four	P3
<a href="#">SCE-60P36SS6</a>	57.00	33.00	C	Four	P3

# MOUNTING PANELS TECHNICAL DATA



# MOUNTING PANELS

## GALVANIZED SUB-PANELS

### Construction

Sub-panels are constructed from galvanized or galvanized steel for direct bonding of electrical components. Size determines steel thickness.

### Finish

Configuration A & B - (Example: SCE-12P10GALV). Sub-panels are made of galvanized steel.

Configuration C & D - (Example: SCE-30P30GALV) Sub-panels are made of galvanized steel.

Catalog No.	Height (A)	Width (B)	Configuration	Edge Flanges	Product Code
<a href="#">SCE-6P4GALV</a>	5.00	3.00	A	Flat	P3
<a href="#">SCE-6P6GALV</a>	5.00	5.00	A	Flat	P3
<a href="#">SCE-8P6GALV</a>	7.00	5.00	A	Flat	P3
<a href="#">SCE-8P8GALV</a>	7.00	7.00	A	Flat	P3
<a href="#">SCE-10P8GALV</a>	9.00	7.00	A	Flat	P3
<a href="#">SCE-10P10GALV</a>	9.00	9.00	A	Flat	P3
<a href="#">SCE-12DLP12GALV</a>	9.00	9.00	B	Flat	P3
<a href="#">SCE-12P6GALV</a>	11.00	5.00	A	Flat	P3
<a href="#">SCE-12P10GALV</a>	11.00	9.00	A	Flat	P3
<a href="#">SCE-12P12GALV</a>	11.00	11.00	A	Flat	P3
<a href="#">SCE-12P24GALV</a>	9.00	21.00	C	Four	P3
<a href="#">SCE-14P8GALV</a>	13.00	7.00	A	Flat	P3
<a href="#">SCE-14P12GALV</a>	13.00	11.00	A	Flat	P3
<a href="#">SCE-16P10GALV</a>	15.00	9.00	A	Flat	P3
<a href="#">SCE-16P12GALV</a>	13.00	9.00	B	Flat	P3
<a href="#">SCE-16DLP14GALV</a>	13.00	11.00	B	Flat	P3
<a href="#">SCE-16P14GALV</a>	15.00	13.00	A	Flat	P3
<a href="#">SCE-16P16GALV</a>	13.00	13.00	B	Flat	P3
<a href="#">SCE-20P12GALV</a>	17.00	9.00	B	Flat	P3
<a href="#">SCE-20P16GALV</a>	17.00	13.00	B	Flat	P3
<a href="#">SCE-20P16JGALV</a>	19.00	15.00	A	Flat	P3
<a href="#">SCE-20P18HMIGALV</a>	19.00	17.00	A	Flat	P3
<a href="#">SCE-20P20GALV</a>	17.00	17.00	B	Flat	P3
<a href="#">SCE-20P20JGALV</a>	19.00	19.00	A	Flat	P3
<a href="#">SCE-24P16GALV</a>	21.00	13.00	C	Four	P3
<a href="#">SCE-24P20GALV</a>	21.00	17.00	C	Four	P3
<a href="#">SCE-24P24GALV</a>	21.00	21.00	C	Four	P3
<a href="#">SCE-30P16GALV</a>	27.00	13.00	C	Four	P3
<a href="#">SCE-30P20GALV</a>	27.00	17.00	C	Four	P3
<a href="#">SCE-30P24GALV</a>	27.00	21.00	C	Four	P3
<a href="#">SCE-30P30GALV</a>	27.00	27.00	C	Four	P3
<a href="#">SCE-36P16GALV</a>	33.00	13.00	C	Four	P3
<a href="#">SCE-36P24GALV</a>	33.00	21.00	C	Four	P3
<a href="#">SCE-36P30GALV</a>	33.00	27.00	C	Four	P3
<a href="#">SCE-36P36GALV</a>	33.00	33.00	C	Four	P3
<a href="#">SCE-40P24GALV</a>	37.00	21.00	C	Four	P3
<a href="#">SCE-42P24GALV</a>	39.00	21.00	C	Four	P3
<a href="#">SCE-42P30GALV</a>	39.00	27.00	C	Four	P3
<a href="#">SCE-42P36GALV</a>	39.00	33.00	C	Four	P3
<a href="#">SCE-42P42GALV</a>	39.00	39.00	C	Four	P3
<a href="#">SCE-48P24GALV</a>	45.00	21.00	C	Four	P3
<a href="#">SCE-48P30GALV</a>	45.00	27.00	C	Four	P3
<a href="#">SCE-48P36GALV</a>	45.00	33.00	C	Four	P3
<a href="#">SCE-48P42GALV</a>	45.00	39.00	C	Four	P3
<a href="#">SCE-48P48GALV</a>	44.00	44.00	C	Four	P3
<a href="#">SCE-60P24GALV</a>	57.00	21.00	C	Four	P3
<a href="#">SCE-60P30GALV</a>	57.00	27.00	C	Four	P3
<a href="#">SCE-60P36GALV</a>	57.00	33.00	C	Four	P3
<a href="#">SCE-60BFP42GALV</a>	56.00	38.00	C	Four	P3
<a href="#">SCE-60P48GALV</a>	56.00	44.00	C	Four	P3
<a href="#">SCE-60P60GALV</a>	56.00	56.00	D	Four	P3
<a href="#">SCE-64P25GALV</a>	60.00	21.75	C	Four	P3

## GALVANIZED SUB-PANELS

### Construction

Sub-panels are constructed from galvanized or galvanized steel for direct bonding of electrical components. Size determines steel thickness.

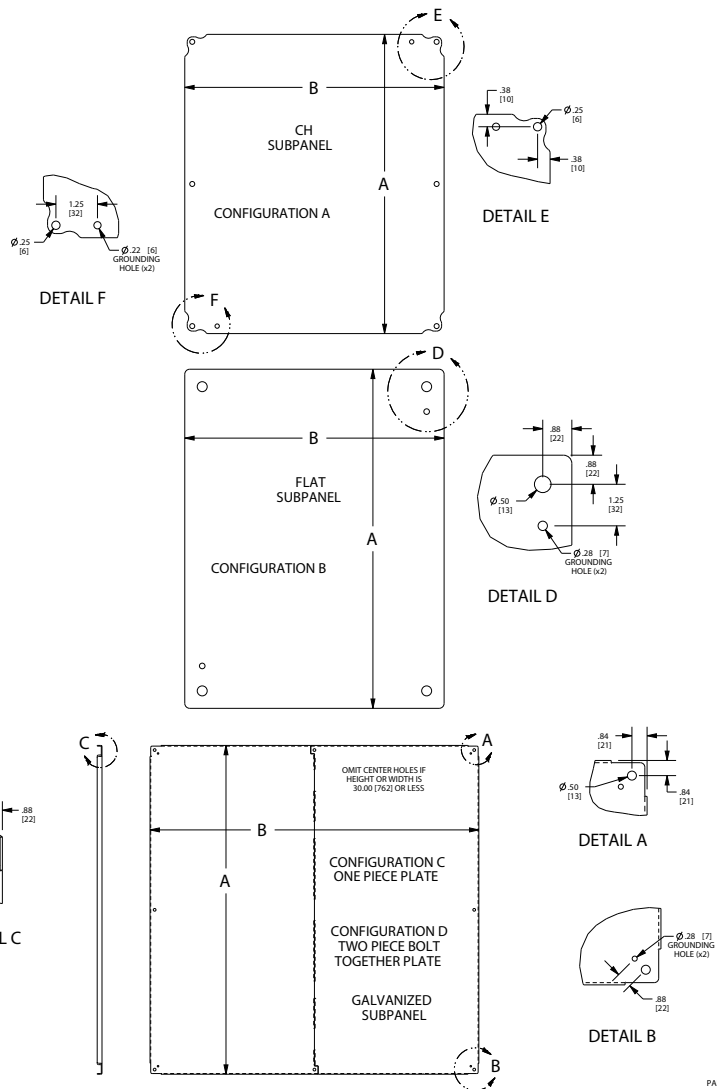
### Finish

Configuration A & B - (Example: SCE-12P10GALV). Sub-panels are made of galvanized steel.

Configuration C & D - (Example: SCE-30P30GALV) Sub-panels are made of galvanized steel.

# MOUNTING PANELS

Catalog No.	Height (A)	Width (B)	Configuration	Edge Flanges	Product Code
<a href="#">SCE-64P31GALV</a>	60.00	27.75	C	Four	P3
<a href="#">SCE-64P37GALV</a>	60.00	33.75	C	Four	P3
<a href="#">SCE-64P52GALV</a>	60.00	48.00	C	Four	P3
<a href="#">SCE-64P64GALV</a>	60.00	60.00	D	Four	P3
<a href="#">SCE-64P76GALV</a>	60.00	72.00	D	Four	P3
<a href="#">SCE-72P30GALV</a>	69.00	27.00	C	Four	P3
<a href="#">SCE-72P36GALV</a>	69.00	33.00	C	Four	P3
<a href="#">SCE-72P60GALV</a>	68.00	56.00	C	Four	P3
<a href="#">SCE-72P72GALV</a>	68.00	68.00	D	Four	P3
<a href="#">SCE-76P37GALV</a>	72.00	33.75	C	Four	P3
<a href="#">SCE-76P76GALV</a>	72.00	72.00	D	Four	P3
<a href="#">SCE-82P37GALV</a>	78.00	33.75	C	Four	P3
<a href="#">SCE-82P76GALV</a>	78.00	72.00	D	Four	P3



PANEL

## ALUMINUM SUB-PANELS FOR FIBERGLASS ENCLOSURES

Designed to mount in the back of an enclosure. Made of marine grade aluminum.

Catalog No.	Height (A)	Width (B)	Edge Flanges	Product Code
<a href="#">SCE-6P4AL</a>	5.00	3.00	Flat	F2
<a href="#">SCE-6P6AL</a>	5.00	5.00	Flat	F2
<a href="#">SCE-8P6AL</a>	7.00	5.00	Flat	F2
<a href="#">SCE-8P8AL</a>	7.00	7.00	Flat	F2
<a href="#">SCE-10P8AL</a>	9.00	7.00	Flat	F2
<a href="#">SCE-12P10AL</a>	11.00	9.00	Flat	F2
<a href="#">SCE-12P12AL</a>	11.00	11.00	Flat	F2
<a href="#">SCE-14P8AL</a>	13.00	7.00	Flat	F2
<a href="#">SCE-14P12AL</a>	13.00	11.00	Flat	F2
<a href="#">SCE-16P10AL</a>	13.00	8.50	Flat	F2
<a href="#">SCE-16P14AL</a>	15.00	13.00	Flat	F2
<a href="#">SCE-18P16AL</a>	16.88	14.88	Flat	F2
<a href="#">SCE-20P16AL</a>	17.00	13.00	Flat	F2
<a href="#">SCE-20PJ16AL</a>	18.88	14.88	Flat	F2
<a href="#">SCE-24P12AL</a>	21.00	9.00	Flat	F2
<a href="#">SCE-24P20AL</a>	21.00	17.00	Formed	F2
<a href="#">SCE-24P24PCAL</a>	22.75	22.75	Flat	F2
<a href="#">SCE-30P20AL</a>	27.00	17.00	Formed	F2
<a href="#">SCE-30P24AL</a>	27.00	21.00	Formed	F2
<a href="#">SCE-36P30AL</a>	33.00	27.00	Formed	F2

## ELJ CONSOLET SUB-PANELS

Designed to be used with ELJ Consolets. Made of heavy gauge steel and powder coated white.

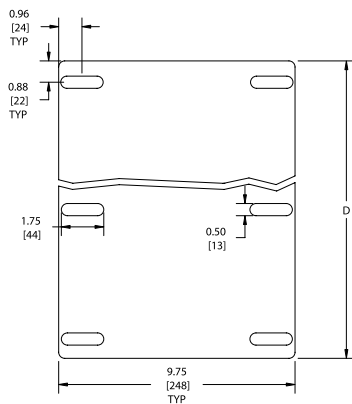
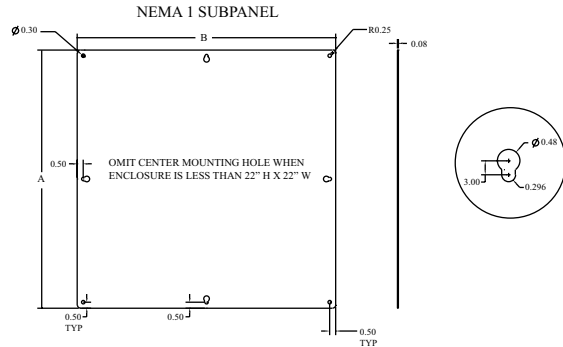
Catalog No.	Height (A)	Width (B)	Configura-tion	Edge Flanges	Product Code
<a href="#">SCE-8P8C</a>	6.00	6.75	A	Flat	P3
<a href="#">SCE-8P12C</a>	6.00	10.75	A	Flat	P3
<a href="#">SCE-8P16C</a>	6.00	14.75	A	Flat	P3
<a href="#">SCE-8P20C</a>	6.00	18.75	A	Flat	P3
<a href="#">SCE-12P12C</a>	9.50	10.75	A	Flat	P3
<a href="#">SCE-12P16C</a>	9.50	14.75	A	Flat	P3
<a href="#">SCE-12P20C</a>	9.50	18.75	A	Flat	P3
<a href="#">SCE-12P24C</a>	9.50	22.75	A	Flat	P3
<a href="#">SCE-16P20C</a>	12.88	18.75	A	Flat	P3
<a href="#">SCE-16P24C</a>	12.88	22.75	A	Flat	P3
<a href="#">SCE-16P30C</a>	12.88	28.75	A	Flat	P3
<a href="#">SCE-20P20C</a>	16.38	18.75	A	Flat	P3
<a href="#">SCE-20P24C</a>	16.38	22.75	A	Flat	P3
<a href="#">SCE-20P30C</a>	16.38	28.75	A	Flat	P3

# MOUNTING PANELS

## TYPE I SUB-PANELS

Designed to be used with Nema 1 enclosures. Made of heavy gauge steel and powder coated white.

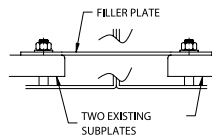
Catalog No.	Height (A)	Width (B)	Product Code
<a href="#">SCE-6N6MP</a>	4.00	4.00	N1
<a href="#">SCE-8N6MP</a>	6.00	4.00	N1
<a href="#">SCE-8N8MP</a>	6.00	6.00	N1
<a href="#">SCE-10N8MP</a>	8.00	6.00	N1
<a href="#">SCE-10N10MP</a>	8.00	8.00	N1
<a href="#">SCE-12N10MP</a>	10.00	8.00	N1
<a href="#">SCE-12N12MP</a>	10.00	10.00	N1
<a href="#">SCE-14N12MP</a>	12.00	10.00	N1
<a href="#">SCE-16N12MP</a>	14.00	10.00	N1
<a href="#">SCE-16N16MP</a>	14.00	14.00	N1
<a href="#">SCE-20N16MP</a>	18.00	14.00	N1
<a href="#">SCE-20N20MP</a>	18.00	18.00	N1
<a href="#">SCE-24N16MP</a>	22.00	14.00	N1
<a href="#">SCE-24N20MP</a>	22.00	18.00	N1
<a href="#">SCE-24N24MP</a>	22.00	22.00	N1
<a href="#">SCE-30N24MP</a>	28.00	22.00	N1
<a href="#">SCE-30N30MP</a>	28.00	28.00	N1
<a href="#">SCE-36N24MP</a>	34.00	22.00	N1
<a href="#">SCE-36N30MP</a>	34.00	28.00	N1



## FILLER PLATES

Designed to provide additional mounting surface between sub-panels in a large enclosure or between sub-panels or sections of a modular enclosure. Slotted mounting holes allow flexible installation. Panels are powder coated white.

Catalog No.	Height (D)	Width	Enclosure Height	Product Code
<a href="#">SCE-72FP</a>	60.00	9.75	72.00	P3
<a href="#">SCE-72FPGALV</a>	60.00	9.75	72.00	P3
<a href="#">SCE-84FP</a>	72.00	9.75	84.00	P3
<a href="#">SCE-84FPGALV</a>	72.00	9.75	84.00	P3
<a href="#">SCE-90FP</a>	78.00	9.75	90.00	P3

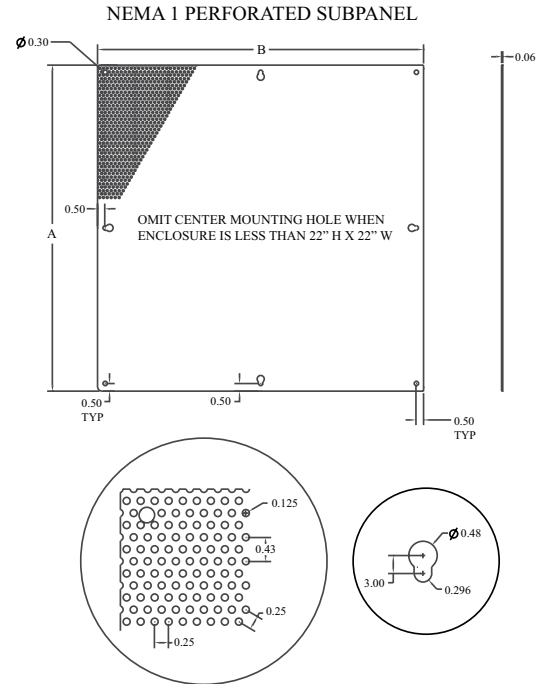


# MOUNTING PANELS

## PERFORATED SUB-PANELS

Perforated Sub-panels have 0.13 mounting holes with 0.25 staggered patterns for the installation of lightweight control components with #8 self threading screws, for use in small and medium size Type 1 enclosures.

Catalog No.	Height (A)	Width (B)	Product Code
<a href="#">SCE-6N6MPP</a>	4.00	4.00	N1
<a href="#">SCE-8N6MPP</a>	6.00	4.00	N1
<a href="#">SCE-8N8MPP</a>	6.00	6.00	N1
<a href="#">SCE-10N8MPP</a>	8.00	6.00	N1
<a href="#">SCE-10N10MPP</a>	8.00	8.00	N1
<a href="#">SCE-12N10MPP</a>	10.00	8.00	N1
<a href="#">SCE-12N12MPP</a>	10.00	10.00	N1
<a href="#">SCE-14N12MPP</a>	12.00	10.00	N1
<a href="#">SCE-16N12MPP</a>	14.00	10.00	N1
<a href="#">SCE-16N16MPP</a>	14.00	14.00	N1
<a href="#">SCE-20N16MPP</a>	18.00	14.00	N1
<a href="#">SCE-20N20MPP</a>	18.00	18.00	N1
<a href="#">SCE-24N16MPP</a>	22.00	14.00	N1
<a href="#">SCE-24N20MPP</a>	22.00	18.00	N1
<a href="#">SCE-24N24MPP</a>	22.00	22.00	N1
<a href="#">SCE-30N24MPP</a>	28.00	22.00	N1
<a href="#">SCE-30N30MPP</a>	28.00	28.00	N1
<a href="#">SCE-36N24MPP</a>	34.00	22.00	N1
<a href="#">SCE-36N30MPP</a>	34.00	28.00	N1



## INDIVIDUAL PANEL SUPPORTS

Individual Panel Supports are available for mounting sub-panels. Packaged in sets with all mounting hardware included. Made of heavy gauge steel and plated. For technical information, consult our installation manual at [www.saginawcontrol.com](http://www.saginawcontrol.com).

Catalog No.	Notes	Product Code
<a href="#">SCE-FSPS4</a>	Set of 4	P2
<a href="#">SCE-FSPS6</a>	Set of 6	P2
<a href="#">SCE-FSPS8</a>	Set of 8	P2



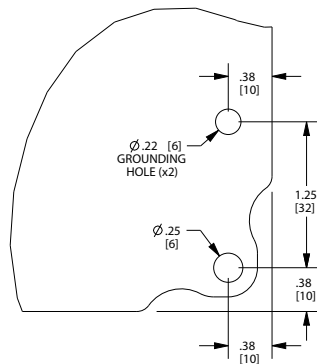
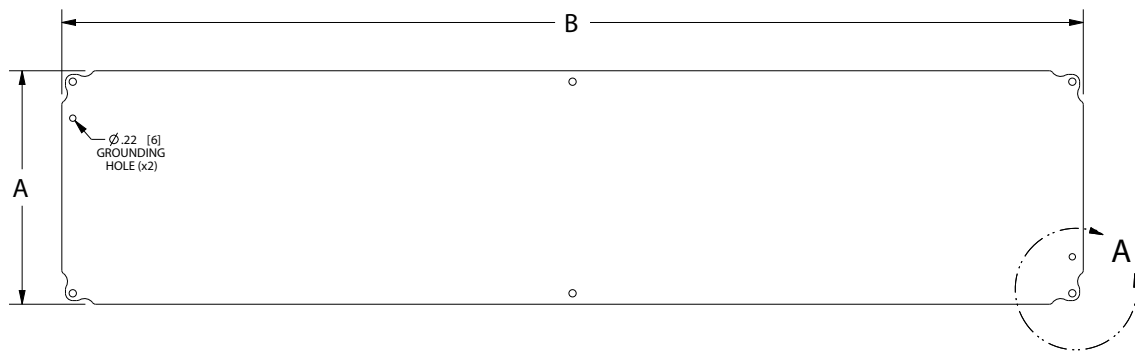


# MOUNTING PANELS

## ENVIROLINE® TROUGH ENCLOSURE (ELJ) SUB-PANELS

Catalog No.	Height (A)	Width (B)	Product Code
<a href="#">SCE-9P12L</a>	8.00	11.00	P3
<a href="#">SCE-9P18L</a>	8.00	17.00	P3
<a href="#">SCE-9P24L</a>	8.00	23.00	P3
<a href="#">SCE-9P30L</a>	8.00	29.00	P3
<a href="#">SCE-9P36L</a>	8.00	35.00	P3

Designed to be used with Enviroline® Series Trough Enclosures. Made of heavy gauge steel and powder coated white.



DETAIL A

**MOUNTING HOLE NOTES:**  
Omit center hole top and bottom when sub-panel width is < 15.00 [381]

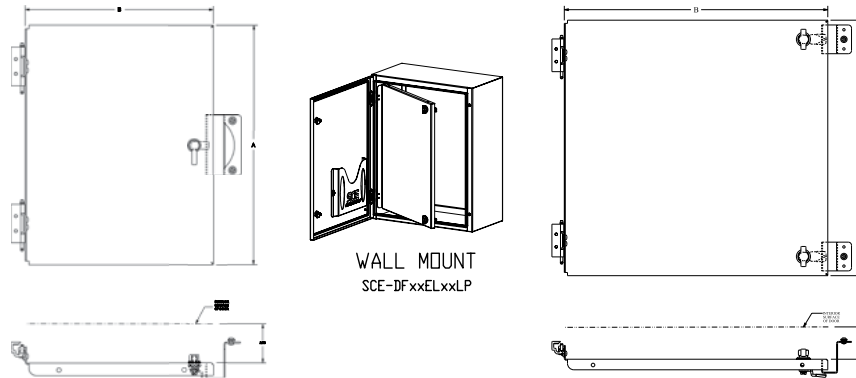
# MOUNTING PANELS

## DEAD FRONT PANEL FOR WALL-MOUNT ENCLOSURES

Catalog No.	Height	Width	Product Code
<a href="#">SCE-DF20EL16LP</a>	16.00	12.63	P2
<a href="#">SCE-DF20EL20LP</a>	16.00	16.63	P2
<a href="#">SCE-DF24EL20LP</a>	20.00	16.63	P2
<a href="#">SCE-DF24EL24LP</a>	20.00	20.63	P2
<a href="#">SCE-DF30EL20LP</a>	26.00	16.63	P2
<a href="#">SCE-DF30EL24LP</a>	26.00	20.63	P2
<a href="#">SCE-DF30EL30LP</a>	26.00	26.63	P2
<a href="#">SCE-DF36EL20LP</a>	32.00	17.63	P2
<a href="#">SCE-DF36EL24LP</a>	32.00	20.63	P2
<a href="#">SCE-DF36EL30LP</a>	32.00	26.63	P2
<a href="#">SCE-DF36EL36LP</a>	32.00	32.63	P2
<a href="#">SCE-DF42EL24LP</a>	38.00	20.63	P2
<a href="#">SCE-DF42EL30LP</a>	38.00	26.63	P2
<a href="#">SCE-DF42EL36LP</a>	38.00	32.63	P2
<a href="#">SCE-DF48EL24LP</a>	44.00	20.63	P2
<a href="#">SCE-DF48EL36LP</a>	44.00	32.63	P2
<a href="#">SCE-DF60EL36LP</a>	56.00	32.63	P2
<a href="#">SCE-DF72EL36LP</a>	68.00	32.63	P2

Designed for use in Wall-Mount Enclosures with SCE concealed hinges, to be installed in the front of an enclosure and to swing out of the enclosure. Kit consists of heavy gauge brackets, hinges, and mounting hardware. Installed by detaching door hinge from enclosure and installing swing-out panel kit to the existing holes. Hinge supplied with the enclosure. Made of steel and powder coated white.

Provided with UL Recognized sealing washer to maintain Environmental Rating of the enclosure.

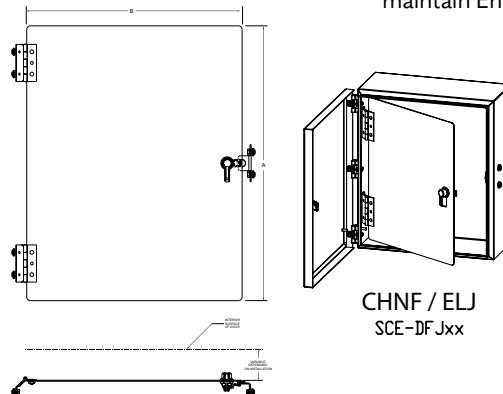


## DEAD FRONT PANEL FOR CHNF & ELJ ENCLOSURES

Catalog No.	Height	Width	Product Code
<a href="#">SCE-DFJ1008</a>	8.50	6.50	P2
<a href="#">SCE-DFJ1210</a>	10.50	8.50	P2
<a href="#">SCE-DFJ1212</a>	10.50	10.50	P2
<a href="#">SCE-DFJ1412</a>	12.50	10.50	P2
<a href="#">SCE-DFJ1614</a>	14.50	12.50	P2
<a href="#">SCE-DFJ2016</a>	18.50	14.50	P2

Designed for installation into Enviroline® Series junction enclosures and continuous hinged junction enclosures, to be installed in the front of an enclosure and to swing out of the enclosure. Kit consists of heavy gauge brackets, hinges, and mounting hardware. Installed by drilling hole in the side of the enclosure. Made of steel and powder coated white.

Provided with UL Recognized sealing washer to maintain Environmental Rating of the enclosure.



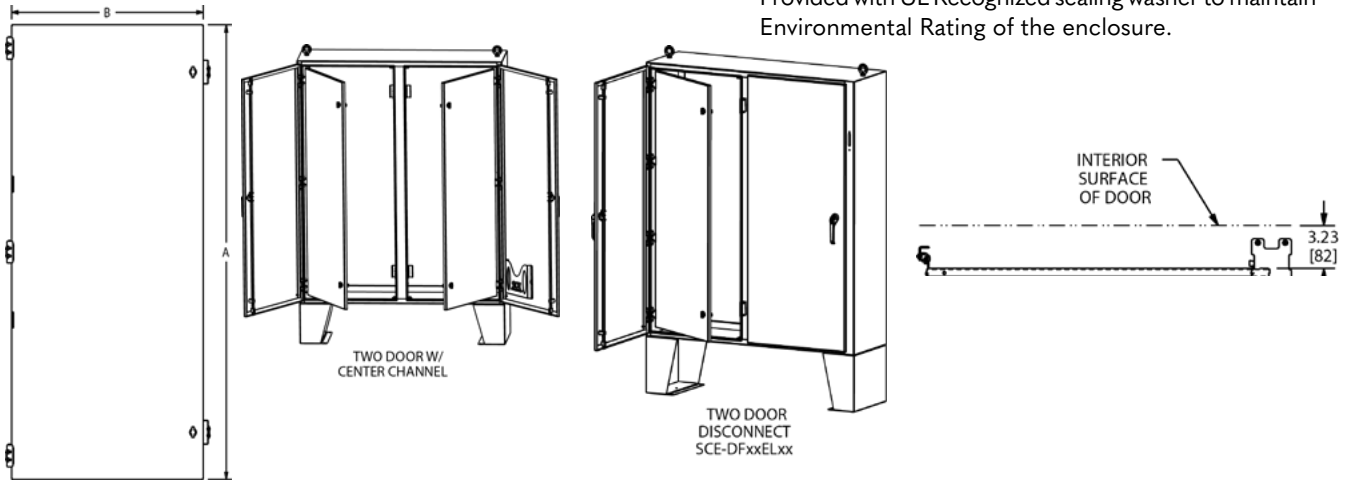
# MOUNTING PANELS

## DEAD FRONT PANEL FOR TWO-DOOR ENCLOSURES WITH CENTER CHANNEL

Catalog No.	Height	Width	Qty Per Kit	Product Code
<a href="#">SCE-DF48EL48</a>	44.00	19.88	1	P2
<a href="#">SCE-DF60EL48</a>	60.00	20.00	1	P2
<a href="#">SCE-DF60EL60</a>	56.00	25.88	1	P2
<a href="#">SCE-DF72EL60</a>	68.00	25.88	1	P2
<a href="#">SCE-DF72EL72</a>	68.00	31.88	1	P2

Designed for installation into Enviroline® Series two-door enclosures with center channel, to be installed in the front of an enclosure and to swing out of the enclosure. Kit consists of heavy gauge brackets, hinges, and mounting hardware. Installed by detaching door hinge from enclosure and installing swing-out panel kit to the existing holes. Hinge is supplied with the enclosure. Made of steel and powder coated white. Kit contains one panel and all hardware for one dead front behind one door.

Provided with UL Recognized sealing washer to maintain Environmental Rating of the enclosure.

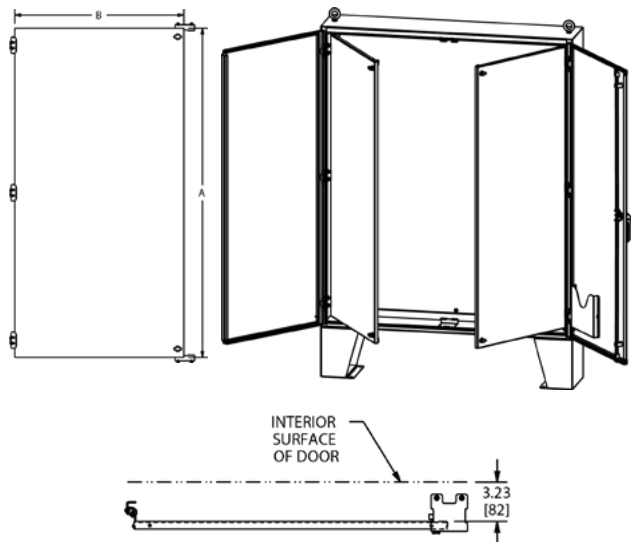


## DEAD FRONT PANEL FOR TWO-DOOR ENCLOSURES WITH OVERLAPPING DOORS

Catalog No.	Height	Width	Qty Per Kit	Product Code
<a href="#">SCE-DF6048</a>	56.00	22.13	1	P2
<a href="#">SCE-DF6060</a>	55.50	28.13	1	P2
<a href="#">SCE-DF7260</a>	67.50	28.13	1	P2
<a href="#">SCE-DF7272</a>	68.00	34.13	1	P2

Designed for installation into two-door enclosures with overlapping doors, to be installed in the front of an enclosure and to swing out of the enclosure. Kit consists of heavy gauge brackets, hinges, and mounting hardware. Installed by detaching door hinge from enclosure and installing swing-out panel kit to the existing holes. Hinge is supplied with the enclosure. Made of steel and powder coated white. Kit contains one panel and all hardware for one dead front behind one door.

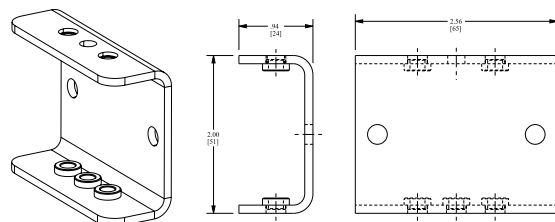
Provided with UL Recognized sealing washer to maintain Environmental Rating of the enclosure.



## DEAD FRONT EXTENSION BRACKETS FOR WALL-MOUNT ENCLOSURES

Catalog No.	Description	Product Code
<a href="#">SCE-115259</a>	For use with Wall-Mount Enclosures with SCE concealed hinges	P2

Designed to increase the distance from the door to the dead front. Brackets can be used when additional space is required when mounting parts to the dead front. Five brackets provided per kit.



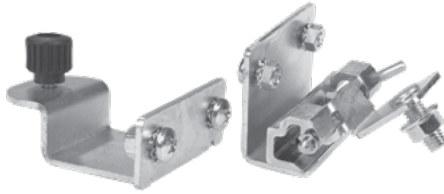
# MOUNTING PANELS

## SWING-OUT PANEL KITS FOR TYPE 4 & 12 ENCLOSURES

Designed to allow a standard sub-panel to be installed in the front of an enclosure and to swing out of the enclosure. Kits consist of heavy gauge brackets and hinges. Installed by drilling small hole in the side of the enclosure and bolting the bracket in place. Sealing washers are provided to insure that the enclosure will meet original standards after installation. For use in any Type 4 & 12 LP style wall-mount enclosure where A x B dimensions are 12" x 12" or larger.

Provided with UL Recognized sealing washer to maintain Environmental Rating of the enclosure.

Catalog No.	Description	Product Code
<a href="#">SCE-NADFK</a>	Swing Panel Kit (used with panels 30 inches and under)	P2
<a href="#">SCE-NADFK-3</a>	Swing Panel Kit (used with panels over 30 inches)	P2
<a href="#">SCE-NADFKSS</a>	Swing Panel Kit - Stainless Steel	P2

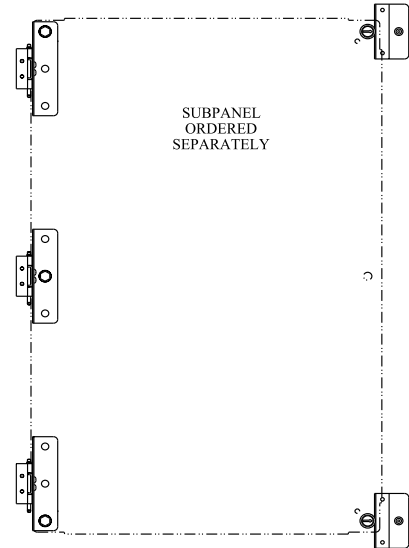


## SWING-OUT PANEL KITS FOR ENVIROLINE®, WALL-MOUNT, 3R HINGED ENCLOSURES

Designed to allow a standard sub-panel to be installed in the front of an enclosure and to swing out of the enclosure. Kit consists of heavy gauge brackets, hinges, and mounting hardware. Installed by detaching door hinge from enclosure and installing swing-out panel kit to the existing holes and hinge supplied with the enclosure. Made of steel and zinc plated.

Provided with UL Recognized sealing washer to maintain Environmental Rating of the enclosure.

Catalog No.	Enclosure Height	Product Code
<a href="#">SCE-ELSP</a>	12 to 16	P2
<a href="#">SCE-ELSP3</a>	20 to 60	P2



## SWING-OUT PANEL KITS FOR POLYCARBONATE ENCLOSURES

Designed to allow a standard sub-panel to be installed in the front of an enclosure and to swing out of the enclosure. Kits consist of polycarbonate hinged mounting brackets. Installed on internal enclosure channels and adjustable to depth of enclosure.

Catalog No.	Qty Per Kit	Product Code
<a href="#">SCE-PCSP</a>	4	F1

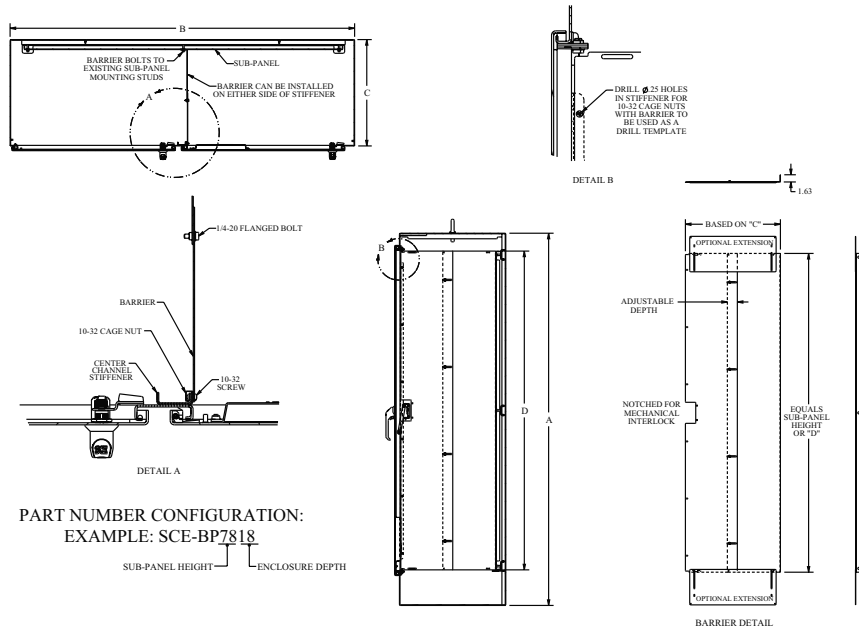


# MOUNTING PANELS

Catalog No.	Height (A)	Width (B)	Use with Subpanel Height	Use with Enclosure Depth	Product Code
<a href="#">SCE-BP2108</a>	21.00	6.84	21	8	P2
<a href="#">SCE-BP2710</a>	27.00	8.84	27	10	P2
<a href="#">SCE-BP3212</a>	32.00	10.84	32	12	P2
<a href="#">SCE-BP3312</a>	33.00	10.84	33	12	P2
<a href="#">SCE-BP3316</a>	33.00	14.80	33	16	P2
<a href="#">SCE-BP3812</a>	38.00	10.44	38	12	P2
<a href="#">SCE-BP3912</a>	39.00	10.44	39	12	P2
<a href="#">SCE-BP4412</a>	44.00	10.44	44	12	P2
<a href="#">SCE-BP5612</a>	56.00	10.44	56	12	P2
<a href="#">SCE-BP5618</a>	56.00	16.44	56	18	P2
<a href="#">SCE-BP5624</a>	56.00	22.44	56	24	P2
<a href="#">SCE-BP5712</a>	57.00	10.44	57	12	P2
<a href="#">SCE-BP6018</a>	60.00	16.44	60	18	P2
<a href="#">SCE-BP6024</a>	60.00	22.44	60	24	P2
<a href="#">SCE-BP6812</a>	68.00	10.44	68	12	P2
<a href="#">SCE-BP6818</a>	68.00	16.44	68	18	P2
<a href="#">SCE-BP6824</a>	68.00	22.44	68	24	P2
<a href="#">SCE-BP7212</a>	72.00	10.44	72	12	P2
<a href="#">SCE-BP7218</a>	72.00	16.44	72	18	P2
<a href="#">SCE-BP7224</a>	72.00	22.44	72	24	P2
<a href="#">SCE-BP7818</a>	78.00	16.44	78	18	P2
<a href="#">SCE-BP7824</a>	78.00	22.44	78	24	P2
<a href="#">SCE-BP7820</a>	78.00	17.44	78	20	P2

## BARRIER PLATES

Designed to be installed on the back panel of enclosures to provide protection against Arc Flash, the height of the sub-plate, and allowing separation of the high voltage and low voltage within the enclosure. Made of heavy gauge carbon steel and powder coated white. Mounting hardware included.



PART NUMBER CONFIGURATION:  
EXAMPLE: SCE-BP7818

SUB-PANEL HEIGHT      ENCLOSURE DEPTH

Catalog No.	For Use With	Product Code
<a href="#">SCE-BPEX12</a>	12 Inch Wide Barrier Plates	P2
<a href="#">SCE-BPEX18</a>	18 Inch Wide Barrier Plates	P2
<a href="#">SCE-BPEX24</a>	24 Inch Wide Barrier Plates	P2
<a href="#">SCE-BPIC</a>	Barrier Plate Interlock Cover	P2

## BARRIER EXTENSION FOR BARRIER PLATES

Designed to be used with the Barrier Plates to extend the barrier, closing up the space between barrier plate and top or bottom of enclosure. Made of heavy gauge carbon steel and powder coated white.

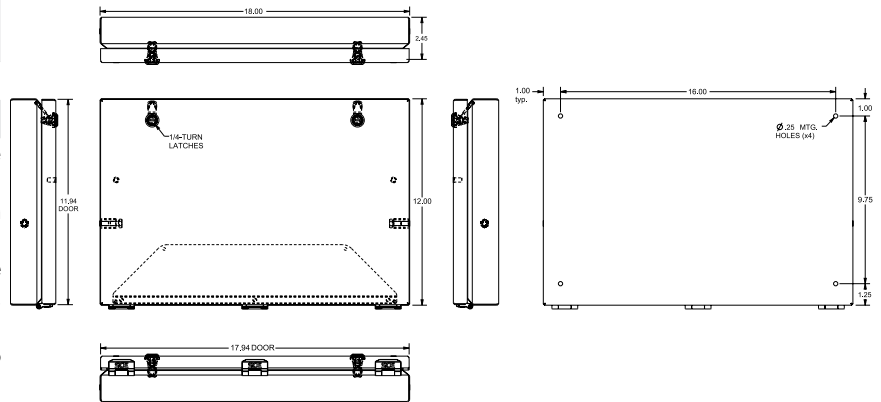
# MEDIA POCKETS & WINDOWS

## EXTERIOR PRINT POCKET

Catalog No.	Height	Width	Depth	Product Code
<a href="#">SCE-13ELJEXPP</a>	13.00	19.00	2.45	P2
<a href="#">SCE-19ELJEXPP</a>	19.00	13.00	2.45	P2

Designed for use on the exterior of an enclosure or door to keep prints clean and easy to access. Exterior print pockets have a hinged cover with cable stops to hold the door at 90 degrees open position and black quarter turn latches. Made of steel and powder coated RAL 7035 gray.

Provided with UL Recognized sealing washer to maintain Environmental Rating of the enclosure.



## PRINT POCKETS

Catalog No.	Description	Height	Width	Depth	Product Code
<a href="#">SCE-PP7701</a>	Small Standard Print Pocket White Polypropylene material	8.00	6.50	1.00	P2
<a href="#">SCE-PP101201</a>	Large Standard Print Pocket White Polypropylene material	10.00	11.50	1.00	P2
<a href="#">SCE-PP101203</a>	Extra Deep Print Pocket Heavy gauge steel powder coated white	10.00	11.50	3.00	P2
<a href="#">SCE-PP1212</a>	Print Pocket for 11 x 14 Binder Cover Heavy gauge steel powder coated white	12.00	11.72	1.55	P2



Designed to provide storage for prints on the interior of an enclosure. Intended for use as a replacement or as an additional pocket.

# MEDIA POCKETS & WINDOWS

## WINDOW KITS

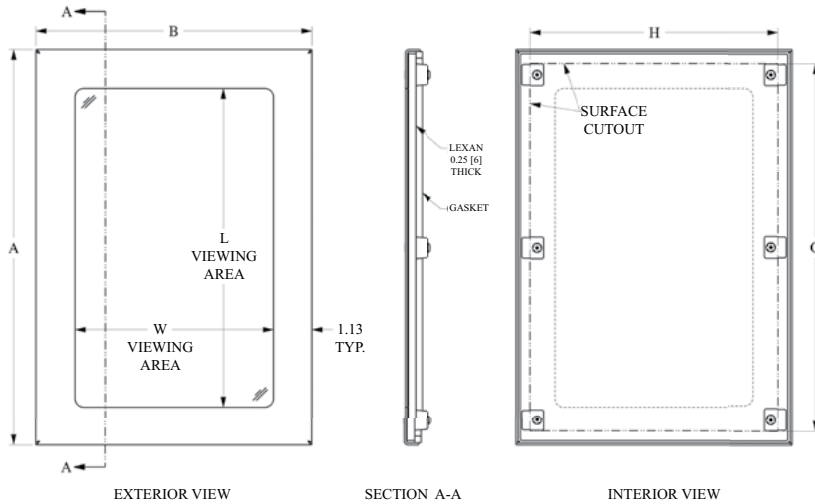
Catalog No.	Viewing Area (L)	Viewing Area (W)	Cut-Out Size (G)	Cut-Out Size (H)	Height (A)	Width (B)	Product Code
<a href="#">SCE-PWK53NF</a>	5.25	3.25	6.69	4.69	7.50	5.50	P2
<a href="#">SCE-PWK63NF</a>	6.55	2.85	7.99	4.29	8.80	5.10	P2
<a href="#">SCE-PWK95NF</a>	9.25	5.75	10.69	7.19	11.50	8.00	P2
<a href="#">SCE-PWK138NF</a>	13.25	8.25	14.69	9.69	15.50	10.50	P2
<a href="#">SCE-PWK171NF</a>	17.25	11.25	18.69	12.69	19.50	13.50	P2
<a href="#">SCE-PWK2315NF</a>	23.25	15.25	24.69	16.69	25.50	17.50	P2
<a href="#">SCE-PWK2919NF</a>	29.25	19.25	30.69	20.69	31.50	21.50	P2
<b>Stainless Steel</b>							
<a href="#">SCE-PWK53NFSS</a>	5.25	3.25	6.69	4.69	7.50	5.50	P2
<a href="#">SCE-PWK95NFSS</a>	9.25	5.75	10.69	7.19	11.50	8.00	P2
<a href="#">SCE-PWK138NFSS</a>	13.25	8.25	14.69	9.69	15.50	10.50	P2
<a href="#">SCE-PWK171NFSS</a>	17.25	11.25	18.69	12.69	19.50	13.50	P2
<a href="#">SCE-PWK2315NFSS</a>	23.25	15.25	24.69	16.69	25.50	17.50	P2
<a href="#">SCE-PWK2919NFSS</a>	29.25	19.25	30.69	20.69	31.50	21.50	P2

Designed for use on most SCE Type 4, 4X and 12 enclosures. Consists of frame, window, oil-resistant gasket, and mounting hardware. Installed by making a cutout in the enclosure and fastening the window and frame in place. For technical information, consult our installation manual at [www.saginawcontrol.com](http://www.saginawcontrol.com). The window is 0.25" UV stable polycarbonate material. Made of heavy gauge steel and powder coated ANSI-61 gray. "SS" kits are made of Type 304 stainless with #4 brushed finish.

Recommend use as Type 3R rating in full outdoor exposure and extreme weather environments.

For more details see Design Considerations When Specifying Your Enclosure on our website.

Nema Type 1, 3R, 4, 4X & 12  
UL Recognized Type 1, 3R & 12



## VIEWING WINDOW - EXTRUDED ALUMINUM SAFETY GLASS

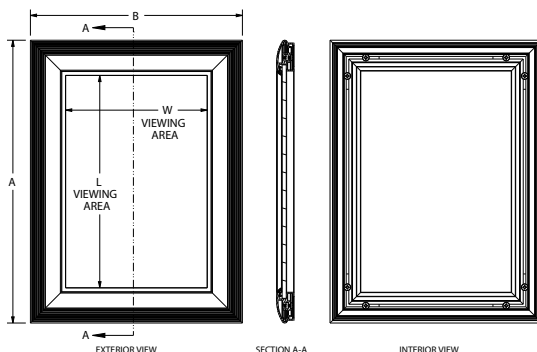
Catalog No.	Viewing Area (L)	Viewing Area (W)	Cut-Out Size (G)	Cut-Out Size (H)	Height (A)	Width (B)	Product Code
<a href="#">SCE-AW1208SG</a>	12.00	8.00			16.00	12.00	P2
<a href="#">SCE-AW1812SG</a>	18.00	12.00			22.00	16.00	P2
<a href="#">SCE-AW2016SG</a>	20.00	16.00			24.00	20.00	P2
<a href="#">SCE-AW2620SG</a>	26.00	20.00			30.00	24.00	P2
<a href="#">SCE-AW6020SG</a>	60.00	20.00			64.00	24.00	P2

Designed for use on most SCE Type 4, 4X and 12 enclosures. Consists of frame, window, oil-resistant gasket, and mounting hardware. Installed by making a cutout in the enclosure and fastening the window and frame in place. For technical information, consult our installation manual at [www.saginawcontrol.com](http://www.saginawcontrol.com). The window is made of laminated safety glass for easier clean up and an aluminum extruded frame.

Recommend use as Type 3R rating in full outdoor exposure and extreme weather environments.

For more details see Design Considerations When Specifying Your Enclosure on our website.

Nema Type 1, 3R, 4, 4X & 12  
UL Recognized Type 1, 3R & 12



# PROTECTIVE ACCESS ENCLOSURES

## HINGED WINDOW ENCLOSURE

Designed to mount on the exterior of an enclosure to provide protection for controls with easy access. ELJ hinges. Black mini quarter turn latches. UV stable Polycarbonate viewing window. Gasket and hardware included. Made of heavy gauge carbon steel and powder coated. "SS" parts made of heavy gauge stainless steel Type 304 with #4 brushed finish.

Recommend use as Type 3R rating in full outdoor exposure and extreme weather environments – the addition of ventilation is necessary to handle the large negative pressure differential caused in a tightly sealed enclosure in extreme weather conditions. Temperatures that may exceed 140°F, such as outdoor in direct sunlight should be evaluated, shading or sun shield may be necessary.

For more details see Design Considerations When Specifying Your Enclosure on our website.

**IS3 - Industry Standards -**  
NEMA Type 3R, 12 & Type 13  
UL Listed Type 3R & 12  
CSA Type 3R & 12  
IEC 60529 IP55

**IS4 - Industry Standards -**  
NEMA Type 3R, 4, 12 & Type 13  
UL Listed Type 3R, 4 & 12  
CSA Type 3R, 4 & 12  
IEC 60529 IP66

**IS6 - Industry Standards -**  
NEMA Type 3R, 4, 4X, 12 & Type 13  
UL Listed Type 3R, 4, 4X & 12  
CSA Type 3R, 4, 4X & 12  
IEC 60529 IP66

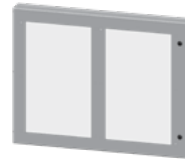
Catalog No.	Height (A)	Width (B)	Depth (C)	Number Windows	Viewing Area Height x Width	Industry Standard	Product Code
<a href="#">SCE-HWK1014</a>	10.00	14.00	1.50	1	6.00 x 9.38	IS4	P6
<a href="#">SCE-HWK1212</a>	12.00	12.00	1.50	1	8.00 x 7.38	IS4	P6
<a href="#">SCE-HWK1216</a>	12.00	16.00	1.50	1	8.00 x 11.38	IS4	P6
<a href="#">SCE-HWK1312</a>	13.00	12.00	1.50	1	8.00 x 7.38	IS4	P6
<a href="#">SCE-HWK1418</a>	14.00	18.00	1.50	1	10.00 x 13.38	IS4	P6
<a href="#">SCE-HWK1620</a>	16.00	20.00	1.50	1	12.00 x 15.38	IS4	P6
<a href="#">SCE-HWK1814</a>	18.00	14.00	1.50	1	14.00 x 9.38	IS4	P6
<a href="#">SCE-HWK2218</a>	22.00	18.00	1.50	1	18.00 x 13.38	IS3	P6
<a href="#">SCE-HWK2228</a>	22.00	28.00	1.50	2	18.00 x 17.38	IS3	P6
<a href="#">SCE-HWK2822</a>	28.00	22.00	1.50	2	10.88 x 17.38	IS3	P6
<a href="#">SCE-HWK1212LG</a>	12.00	12.00	1.50	1	8.00 x 7.38	IS4	P6
<a href="#">SCE-HWK1814LG</a>	18.00	14.00	1.50	1	14.00 x 9.38	IS4	P6
<a href="#">SCE-HWK2218LG</a>	22.00	18.00	1.50	1	18.00 x 13.38	IS3	P6
<a href="#">SCE-HWK2228LG</a>	22.00	28.00	1.50	2	18.00 x 10.56	IS3	P6
<a href="#">SCE-HWK2822LG</a>	28.00	22.00	1.50	2	10.88 x 17.38	IS3	P6

### Stainless Steel

<a href="#">SCE-HWK1014SS</a>	10.00	14.00	1.50	1	6.00 x 9.38	IS4	P6
<a href="#">SCE-HWK1212SS</a>	12.00	12.00	1.50	1	8.00 x 7.38	IS6	P6
<a href="#">SCE-HWK1216SS</a>	12.00	16.00	1.50	1	8.00 x 11.38	IS6	P6
<a href="#">SCE-HWK1418SS</a>	14.00	18.00	1.50	1	10.00 x 13.38	IS6	P6
<a href="#">SCE-HWK1620SS</a>	16.00	20.00	1.50	1	16.00 x 15.38	IS6	P6
<a href="#">SCE-HWK1814SS</a>	18.00	14.00	1.50	1	14.00 x 9.38	IS6	P6
<a href="#">SCE-HWK2218SS</a>	22.00	18.00	1.50	1	18.00 x 13.38	IS3	P6
<a href="#">SCE-HWK2228SS</a>	22.00	28.00	1.50	2	18.00 x 10.56	IS3	P6
<a href="#">SCE-HWK2822SS</a>	28.00	22.00	1.50	2	10.88 x 17.38	IS3	P6



SCE-HWK1212(SS)  
SCE-HWK1814(SS)  
SCE-HWK2218(SS)



SCE-HWK2228(SS)



SCE-HWK2822(SS)

## HINGED ACCESS ENCLOSURE

Designed to house electrical controls, instruments and components used in an indoor or outdoor environment to provide a degree of protection for the equipment inside the enclosure against ingress of solid foreign objects (falling dirt); and provide a degree of protection with respect to the harmful effects on the equipment due to the ingress of water (rain, sleet, snow). ELJ hinges. Black mini quarter turn latches. Gasket and hardware included.

Provisions for SCE-BVK

**IS4 - Industry Standards -**  
NEMA Type 3R, 4, 12 & Type 13  
UL Listed Type 3R, 4 & 12  
CSA Type 3R, 4 & 12  
IEC 60529 IP66

**IS6 - Industry Standards -**  
NEMA Type 3R, 4, 4X, 12 & Type 13  
UL Listed Type 3R, 4, 4X & 12  
CSA Type 3R, 4, 4X & 12  
IEC 60529 IP66

Catalog No.	Height (A)	Width (B)	Depth (C)	Finish	Industry Standard	Product Code
<a href="#">SCE-HA1010</a>	10.00	10.00	1.50	ANSI-61 Gray	IS4	P6
<a href="#">SCE-HA1014</a>	10.00	14.00	1.50	ANSI-61 Gray	IS4	P6
<a href="#">SCE-HA1212</a>	12.00	12.00	1.50	ANSI-61 Gray	IS4	P6
<a href="#">SCE-HA1216</a>	12.00	16.00	1.50	ANSI-61 Gray	IS4	P6
<a href="#">SCE-HA1418</a>	14.00	18.00	1.50	ANSI-61 Gray	IS4	P6
<a href="#">SCE-HA1620</a>	16.00	20.00	1.50	ANSI-61 Gray	IS4	P6
<a href="#">SCE-HA1814</a>	18.00	14.00	1.50	ANSI-61 Gray	IS4	P6
<a href="#">SCE-HA1010-05</a>	10.00	10.00	1.50	SCE-05 White	IS4	P6
<a href="#">SCE-HA1212-05</a>	12.00	12.00	1.50	SCE-05 White	IS4	P6
<a href="#">SCE-HA1010LG</a>	10.00	10.00	1.50	RAL 7035 Gray	IS4	P6
<a href="#">SCE-HA1212LG</a>	12.00	12.00	1.50	RAL 7035 Gray	IS4	P6
<a href="#">SCE-HA1814LG</a>	18.00	14.00	1.50	RAL 7035 Gray	IS4	P6
<b>Stainless Steel</b>						
<a href="#">SCE-HA1010SS</a>	10.00	10.00	1.50	#4 Brushed Finish	IS6	P6
<a href="#">SCE-HA1014SS</a>	10.00	14.00	1.50	#4 Brushed Finish	IS6	P6
<a href="#">SCE-HA1212SS</a>	12.00	12.00	1.50	#4 Brushed Finish	IS6	P6
<a href="#">SCE-HA1216SS</a>	12.00	16.00	1.50	#4 Brushed Finish	IS6	P6
<a href="#">SCE-HA1418SS</a>	14.00	18.00	1.50	#4 Brushed Finish	IS6	P6
<a href="#">SCE-HA1620SS</a>	16.00	20.00	1.50	#4 Brushed Finish	IS6	P6
<a href="#">SCE-HA1814SS</a>	18.00	14.00	1.50	#4 Brushed Finish	IS6	P6

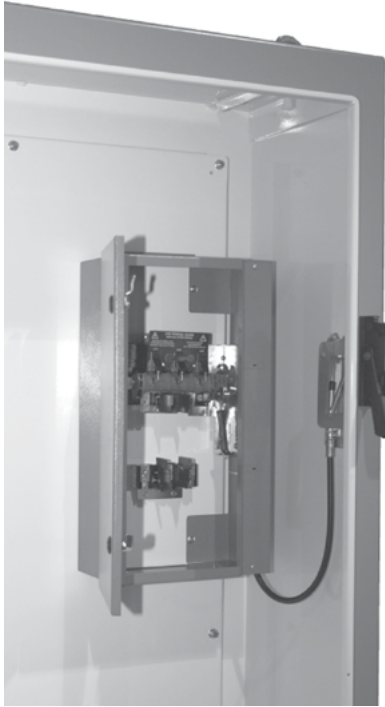




# PROTECTIVE ACCESS ENCLOSURES

## TYPE I INTERNAL DISCONNECT ENCLOSURE

Catalog No.	Height	Width	Depth	Min Depth of Enclosure	Product Code
<a href="#">SCE-60AFSD</a>	13.50	12.00	6.50	12 inches	P2
<a href="#">SCE-100AFSD</a>	22.00	12.00	6.50	12 inches	P2
<a href="#">SCE-400AFSD</a>	32.00	15.00	9.75	16 inches	P2



### Application

Designed for use with enclosures that require additional protection against Arc Flash. This enclosure can be used within an environmentally rated enclosure to isolate the main power supply. Increasing personal protection by preventing incidental contact or exposure to the high voltage arc flash and shock hazard, and potentially reducing the PPE level for the lower risk components when the Internal Disconnect Enclosure cover is closed. The Internal Disconnect Enclosure can be easily incorporated into a new system or added to a pre-existing system on variable depth or cable operated disconnects. Aids in achieving compliance with NFPA 70E by concealing main power supply. For installation information, consult our installation manual at [www.saginawcontrol.com](http://www.saginawcontrol.com).

### Construction

- 0.060" carbon steel
- Enclosures are symmetrical for use with left or right hand disconnects.
- Removable continuous hinges.
- 110 degree door stop prevents incidental contact with other components.
- Black quarter turn latch.
- Black spring loaded quarter turn latch with 7mm square insert and key.
- Latches automatically when door is closed.
- Gland plate top and bottom provides easy installation of wires.
- Mounting holes provided in back for securing to the sub-panel.
- Ground stud on door and body.

### Note

The proper size of the Internal Disconnect enclosure is a limited only space, occupied by the disconnect or circuit breaker. Minimum spacing requirements are provided by the disconnect manufacture and wiring code requirements.

### Finish

Orange Texture powder coated inside and out.

**\*For use with Saginaw Control enclosures only**

### IS8 Industry Standards

- NEMA Type 1
- UL Listed Type 1
- CSA Type 1
- IEC 60529 IP30

# PROTECTIVE ACCESS ENCLOSURES

## EXTERNAL DISCONNECT ENCLOSURE

Catalog No.	Height	Width	Depth	Industry Standard	Product Code
<a href="#">SCE-EXD18</a>	34.50	15.00	18.00	IS4	P2
<a href="#">SCE-EXD18SS</a>	34.50	15.00	18.00	IS6	P2
<a href="#">SCE-EXD12</a>	34.50	15.00	12.00	IS4	P2

For use with flange-mount disconnect enclosures. Ref. SCE-84XM4018 or similar.

### Application

Designed for use with enclosures that require additional protection against Arc Flash. This enclosure can be used with an environmentally rated enclosure to isolate the main power supply. Increasing personal protection by preventing incidental contact or exposure to the high voltage arc flash and shock hazard, and potentially reducing the PPE level for the lower risk components of the main enclosure. The External Disconnect Enclosure bolts to the exterior right side of a single or multi door primary enclosure. Aids in achieving compliance with NFPA 70E by concealing main power supply. For installation information, consult our installation manual at [www.saginawcontrol.com](http://www.saginawcontrol.com).

### Construction

- 0.075" carbon steel/type 304 stainless steel.
- Seams continuously welded and ground smooth.
- Flange trough collar around all sides of door opening.
- Pour in place oil and water resistant gasket.
- Black quarter turn latch.
- Collar studs provided for mounting panels.
- 31"H x 12"W galvanized sub-panel installed.
- Concealed hinges.
- Latches are opened or closed with a screwdriver.
- Mounting hardware included.
- Mechanical interlock and mounting hardware included.

### Finish

ANSI-61 gray powder coated inside and out. SS:#4 brushed finish on all exterior surfaces.

### IS4 Industry Standards

NEMA Type 3R, 4, 12 & Type 13  
UL Listed Type 3R, 4 & 12  
CSA Type 3R, 4 & 12  
IEC 60529 IP66

### IS6 Industry Standards

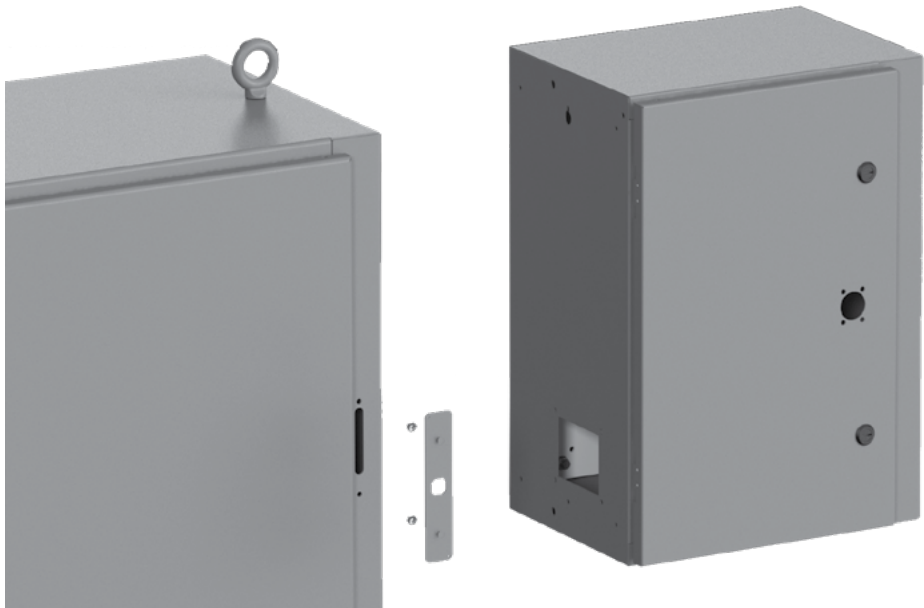
NEMA Type 3R, 4, 4X, 12 & Type 13  
UL Listed Type 3R, 4, 4X & 12  
CSA Type 3R, 4, 4X & 12  
IEC 60529 IP66



# PROTECTIVE ACCESS ENCLOSURES

## EXTERNAL DISCONNECT ENCLOSURE ROTARY

Catalog No.	Height	Width	Depth	Industry Standard	Product Code
<a href="#">SCE-EXR12-30T200</a>	24.00	17.00	12.00	IS4	P2
<a href="#">SCE-EXR18-400</a>	48.00	17.00	18.00	IS4	P2



Note: Main door is mechanically interlocked to the External Disconnect such that the main enclosure door must be closed and door handle engaged in order to turn disconnect on.

Once the main enclosure is closed and disconnect is turned on, the main enclosure is automatically locked when disconnect is turned on, and unlocked when disconnect is turned off.

A defeater mechanism on the flange of the main enclosure allows entry with power on by deliberate means.

### Application

Designed for use with enclosures that require additional protection against Arc Flash. This enclosure can be used with an environmentally rated enclosure to isolate the main power supply. It increases personal protection by preventing incidental contact or exposure to the high voltage arc flash and shock hazard, and potentially reduces the PPE level for the lower risk components of the main enclosure. This External Disconnect Enclosure is designed specifically to accommodate the Rotary Compact Fusible disconnect Allen-Bradley 194R, Square D GS2, Eaton/Bussmann R9, Siemens CFS and Scocomec Fuserbloc Models. Aids in achieving compliance with NFPA 70E by concealing main power supply. For more information consult our installation manual at [www.saginawcontrol.com](http://www.saginawcontrol.com)

### Construction

- 0.075 In. steel
- Seams continuously welded and ground smooth.
- Flange trough collar around all sides of door opening.
- Pour in place oil & water resistant gasket
- Collar studs provided for mounting panels.
- Galvanized Subpanel installed.
- Concealed hinges.
- Black quarter turn latches.
- Latches are opened or closed with a screwdriver.
- Mounting hardware included.
- Cable Operated Mechanical interlock and hardware included.
- Provisions for Rotary Compact Fusible disconnect
- For use with flange mount disconnect enclosures

### IS4 Industry Standards

NEMA Type 3R, 4, 12 & Type 13

UL Listed Type 3R, 4 & 12

CSA Type 3R, 4 & 12

IEC 60529 IP66

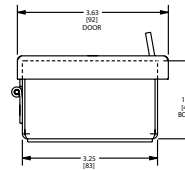
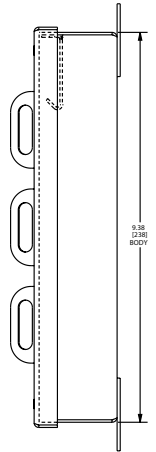
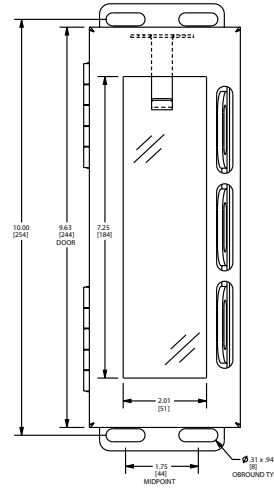
# PROTECTIVE ACCESS ENCLOSURES

## KEYLOCK BOX

Catalog No.	Height (A)	Width (B)	Depth (C)	Product Code
<a href="#">SCE-KLB</a>	9.38	3.25	1.88	P2

The keylock box is used to hold and secure a common key for a given set of equipment in the plant. This key is secured in the keylock box allowing up to 6 locks for security to access. Large viewing window in the cover provides clear visibility of the key inside.

Large key tag with key ring included with the keylock box.



## ORANGE CAUTION LABELS

Safety Orange vinyl Caution Label with Warning Symbols designed for use on interior door for high visibility and warning of potential hazard. Made of high quality durable vinyl, water and oil resistant, with adhesive back for quick easy installation. The vivid safety orange and yellow with the standard Hazard Safety Symbols make them extremely effective in any application.

Catalog No.	Height	Width	Qty. Per Package	Product Code
<a href="#">SCE-OCL12</a>	12.00	12.00	5	P2
<a href="#">SCE-OCL24</a>	24.00	24.00	5	P2



# SERVICE PARTS

## GASKET ROLLS

Pour in place oil and water resistant gasket made of a urethane closed cell sponge material. Self adhesive backing. For installation information, consult our installation manual at [www.saginawcontrol.com](http://www.saginawcontrol.com). UL, CSA recognized.

Catalog No.	Length	Size	Product Code
<a href="#">SCE-GA14X1</a>	40 Feet	0.25 x 1.00	P2
<a href="#">SCE-GA14X75</a>	50 Feet	0.25 x 0.75	P2
<a href="#">SCE-GA18X50</a>	50 Feet	0.13 x 0.50	P2

**IS9 - Industry Standards -**  
 UL Component Recognized  
 CSA Component Recognized

Catalog No.	Length	Flange Type	Quantity	Enclosure Gauge	Product Code
<a href="#">SCE-127617</a>	2.37	90°	2	11 & 12	P2
<a href="#">SCE-128380</a>	2.37	15°	2	14	P

**CENTER CHANNEL GASKET**  
 Designed for use with standard 3.5 inch center channels to maintain a water tight seal.

## EMI/RFI SHIELDED GASKET

Specifically designed to combine outstanding attenuation characteristics and environmental protection against dust, dirt, moisture, and severe temperature variations. For technical information, consult our installation manual at [www.saginawcontrol.com](http://www.saginawcontrol.com). Made of urethane foam wrapped in nickel plated copper fabric with adhesive backing.

Catalog No.	Length	Size	Product Code
<a href="#">SCE-EMIG</a>	7 Feet	0.25 x 1.00	P2

Catalog No.	Length	Size	Product Code
<a href="#">SCE-SLT</a>	50 Feet	3 MILS x 1.00	P2

## CONDUCTIVE TAPE

Copper foil tape with conductive adhesive backing. Makes it unnecessary to plate an enclosure in preparation for shielding protection. Apply the tape over unprotected steel in a small free area around the perimeter of the door. Provides protection to the steel against corrosion and rusting as well as grounding protection necessary in shielding protection.

## MECHANICAL DEFEATER FOR V-STYLE DISCONNECTS

Designed to prevent the disconnect from being turned to the on position, until the master door is shut and the handle or latch is in the closed/latched position. Works with most standard disconnect enclosures with SCE 3-point door hardware or quarter turn latches. For technical information, consult our installation manual at [www.saginawcontrol.com](http://www.saginawcontrol.com).

Catalog No.	Description	Product Code
<a href="#">SCE-MDV</a>	Mechanical Defeater	P2
<a href="#">SCE-MDV400</a>	Mechanical Defeater 400 amp	P2

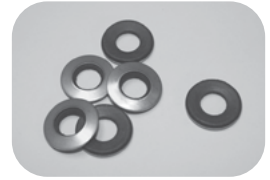


# SERVICE PARTS

## SEALING WASHERS

Designed for use on the flat surface of environmentally rated enclosures to maintain the rating of type 2, 3, 3R, 3S, 4, 4X & 12 when holes for fastener must be provided for the installation of mounting brackets, drip shields and other accessories on the inside or outside of the enclosure body or doors.

Catalog No.	Suitable For Use With	Qty Per Kit	Product Code
<a href="#">SCE-BSW19SS</a>	10-32	50	P2
<a href="#">SCE-BSW25SS</a>	1/4-20	50	P2
<a href="#">SCE-BSW31SS</a>	5/16	50	P2
<a href="#">SCE-BSW38SS</a>	3/8	50	P2



IS10 - Industry Standards -  
UL Component Recognized

Catalog No.	Description	Qty Per Kit	Product Code
<a href="#">SCE-PS3816CN</a>	3/8 - 16 Strut Nut	20	P2
<a href="#">SCE-PS1420CN</a>	1/4-20 Strut Nut	20	P2



[SCE-PS1420CN](#)



[SCE-PS3816CN](#)

## CHANNEL NUTS

Designed for use in free-standing enclosures to allow mounting of additional equipment.

## CHANNEL NUTS

Designed for use with the SCE light channels on the inside top of larger enclosures. For quick easy installation of lights.

Catalog No.	Description	Qty Per Kit	Product Code
<a href="#">SCE-PS1032CN</a>	10-32 for Small Channel	20	P2



Catalog No.	Description	Qty Per Kit	Product Code
<a href="#">SCE-CN1032</a>	10-32 for Rack Angles	20	P2

## CLAMPING NUTS

Clamping nuts with a #10-32 retained nut to fit all rack mounting angles and rack mounting frames to provide tapped holes. Nuts are zinc plated.

# SERVICE PARTS

## TOUCH-UP PAINT

Available in spray can or paint pen for small scuffs and scratches.

\*Consult factory for pricing of custom colors.

Catalog No.	Description	Color	Product Code
<a href="#">SCE-TU05</a>	Spray Can	SCE-05 White	P2
<a href="#">SCE-TU09</a>	Spray Can	ANSI-61 Gray	P2
<a href="#">SCE-TURAL7035</a>	Spray Can	RAL 7035 Gray	P2
<a href="#">SCE-PEN05</a>	Paint Pen	SCE-05 White	P2
<a href="#">SCE-PEN09</a>	Paint Pen	ANSI-61 Gray	P2
<a href="#">SCE-PEN7035</a>	Paint Pen	RAL 7035 Gray	P2

## REPLACEMENT KEYS

Standard keys for standard and optional door hardware.

Catalog No.	Description	Qty Per Package	Product Code
<a href="#">SCE-K333</a>	Standard Key for Quarter Turn	2	P2
<a href="#">SCE-KC101</a>	Standard Key for SCE L-Handle	2	P2
<a href="#">SCE-2233X</a>	Standard Key for Mini Quarter Turn	1	P2
<a href="#">SCE-110047</a>	5mm Double Bit	1	P2
<a href="#">SCE-101695</a>	7mm Square	1	P2
<a href="#">SCE-101697</a>	8mm Square	1	P2
<a href="#">SCE-107930</a>	7mm Triangular	1	P2

## REPLACEMENT HINGES

Standard hinges for standard SCE enclosures. Includes hinge, pin and clip.

Catalog No.	Description	Qty Per Package	Product Code
<a href="#">SCE-3916</a>	Large Concealed Hinge	1	P2
<a href="#">SCE-3916SS</a>	Large Concealed Stainless Steel Hinge	1	P2
<a href="#">SCE-3918</a>	Small Concealed Hinge	2	P2
<a href="#">SCE-3918SS</a>	Small Concealed Stainless Steel Hinge	2	P2
<a href="#">SCE-ELJHINGE</a>	ELJ Hinge	1	P2
<a href="#">SCE-101670</a>	Retaining Clip for Concealed Hinge	20	P2
<a href="#">SCE-101226</a>	Small Hinge Pin	20	P2
<a href="#">SCE-101221</a>	Large Hinge Pin	20	P2

## CAPTIVE SCREWS

Standard captive screw for use on screw cover enclosures. Stainless steel with nylon retainer.



Catalog No.	Description	Qty Per Package	Product Code
<a href="#">SCE-102534</a>	10-32 X 5/8 Captive Screw for PB & Screw Cover Enclosure	12	P2
<a href="#">SCE-SCP</a>	Sanitary Captive Screw	4	P2

# SERVICE PARTS

Catalog No.	Fits Fan Package No.	Fits Filter Assembly No.	Qty Per Package	Product Code
<a href="#">SCE-RF44</a>	SCE-FA44/230	SCE-FGA44	1	P2
<a href="#">SCE-RF66</a>	SCE-FA66/230	SCE-FGA66	1	P2
<a href="#">SCE-RF1010</a>	SCE-FA1010/230	SCE-FGA1010	1	P2
<a href="#">SCE-RF517</a>	SCE-BP115/230	SCE-FGABP	1	P2

Catalog No.	Fits Fan Package No.	Fits Filter Assembly No.	Qty Per Package	Product Code
<a href="#">SCE-113947</a>	SCE-N12FA44	SCE-N12FGA44	6	P2
<a href="#">SCE-113188</a>	SCE-N12FA66	SCE-N12FGA66	6	P2
<a href="#">SCE-108401</a>	SCE-N12FA1010	SCE-N12FGA1010	6	P2

Catalog No.	Description	Qty Per Package	Product Code
<a href="#">SCE-113282</a>	Dead Front Four Hinge Bolt Pack	1	P2
<a href="#">SCE-102018</a>	Floor Stand Kit Bolt Pack	8	P2
<a href="#">SCE-114318</a>	Grounding Kit, 1/4-20	1	P2
<a href="#">SCE-101966</a>	Grounding Kit, 10-32	1	P2
<a href="#">SCE-102297</a>	Grounding Kit, 3/8-16	1	P2
<a href="#">SCE-108619</a>	IMS End Plate Bolt Pack	1	P5
<a href="#">SCE-102023</a>	Side Mount Subpanel Bolt Pack, 3/8-16	6	P2
<a href="#">SCE-102022</a>	Standard Defeater Hook Bolt Pack	1	P2
<a href="#">SCE-102225</a>	Subpanel Bolt Pack, 1/4-20	8	P2
<a href="#">SCE-102302</a>	Subpanel Bolt Pack, 10-32	4	P2
<a href="#">SCE-102298</a>	Subpanel Bolt Pack, 3/8-16	4	P2
<a href="#">SCE-102300</a>	SubPanel Bolt Pack, 3/8-16	8	P2
<a href="#">SCE-101974</a>	Wall-Mount Bolt Pack, EL 3/8-16	4	P2
<a href="#">SCE-102686</a>	Wall-Mount Bolt Pack, ELJ	4	P2
<a href="#">SCE-120706</a>	ELJ Enclosure Hardware	4	P2
<a href="#">SCE-121454</a>	Free-Standing Master Bolt Pack	1	P2
<a href="#">SCE-122191</a>	Wall-Mount Master Bolt Pack	1	P2
<a href="#">SCE-123581</a>	Nema 1 Master Bolt Pack	1	P2
<a href="#">SCE-113347</a>	Dead Front Three Hinge Bolt Pack	1	P2
<a href="#">SCE-117614</a>	Stainless Steel Floor Stand Bolt Pack	1	P2
<a href="#">SCE-128422</a>	Dead Front Three Hinge Bolt Pack	1	P2

Catalog No.	Used In Light Fixture	Product Code
<a href="#">SCE-LEDB18</a>	SCE-LF18 & SCE-LF18NO	P2
<a href="#">SCE-LEDB24</a>	SCE-LF24 & SCE-LF24NO	P2
<a href="#">SCE-LEDB18DC</a>	SCE-LF1824VDC	P2

Catalog No.	Product Code
<a href="#">SCE-SSCLEAN</a>	P2

## REPLACEMENT FILTERS

Designed for use with SCE Fan Packages and Filter and Grille Package. Aluminum washable filters provide good air filtration.

## TYPE 12 REPLACEMENT FILTERS

Designed for use with SCE Type 12 Fan Packages and Filter and Grille Package. Filters are made of non-woven polyolefin fiber. Washable up to 10 times.

## BOLT PACKS

Standard bolt packs for wall-mounting, sub-panels, and grounding for standard SCE enclosures.

## REPLACEMENT LED BULBS

Replacement bulbs for the LED light fixtures.

## STAINLESS STEEL CLEANER

20 ounce aerosol can.



# AC SERVICE PARTS

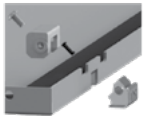
## REPLACEMENT AC FILTERS

Designed for use with SCE Air Conditioners. Aluminum washable filters provide good air filtration.

Catalog No.	Fits AC BTU	Qty Per Package	Product Code
<a href="#">SCE-AC10BF1</a>	1000	4	P2
<a href="#">SCE-AC18BF1</a>	1870, 2550, 3400	4	P2
<a href="#">SCE-AC51BF1</a>	5100, 6800	4	P2
<a href="#">SCE-AC85BF1</a>	8500, 10200, 13650	4	P2

## DOOR HINGE ASSEMBLY

Standard hinge components for SCE enclosures.



SCE-DHA\*



SCE-N1HINGE

Catalog No.	Gauge	Qty Per Package	Product Code
<a href="#">SCE-DHA12</a>	12	2	P2
<a href="#">SCE-DHA12SS</a>	12 - stainless	2	P2
<a href="#">SCE-DHA14</a>	14	2	P2
<a href="#">SCE-DHA14SS</a>	14 - stainless	2	P2
<a href="#">SCE-N1HINGE</a>		2	P2

# SANITARY PARTS

## REPLACEMENT PARTS

Replacement parts for the sanitary enclosure line.

Catalog No.	Description	Qty Per Package	Product Code
<a href="#">SCE-GASS16</a>	Sanitary Self Gripping Gasket	16ft Roll	P2
<a href="#">SCE-GASS08</a>	Sanitary Self Gripping Gasket	8ft Roll	P2
<a href="#">SCE-SCP</a>	Sanitary Captive Screw	4	P2
<a href="#">SCE-116398</a>	Sanitary Quarter Turn Key	1	P2



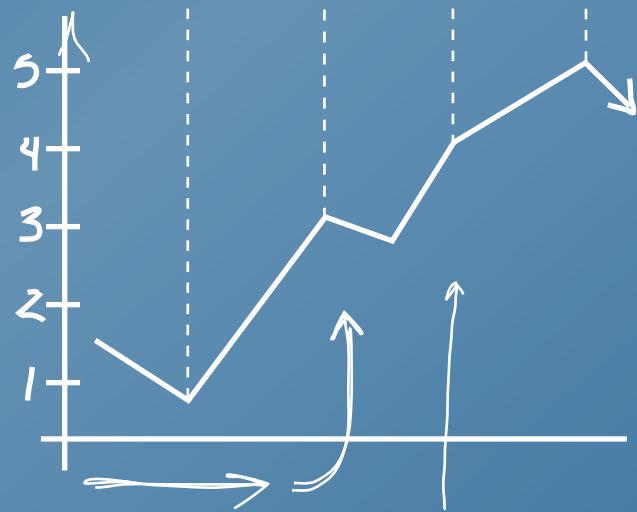
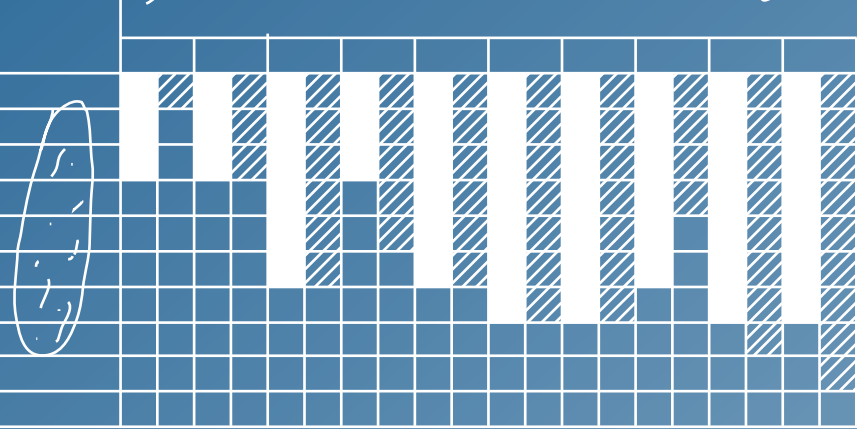
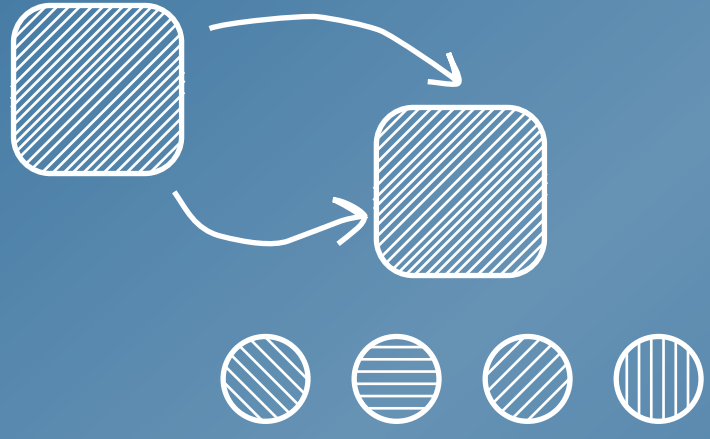
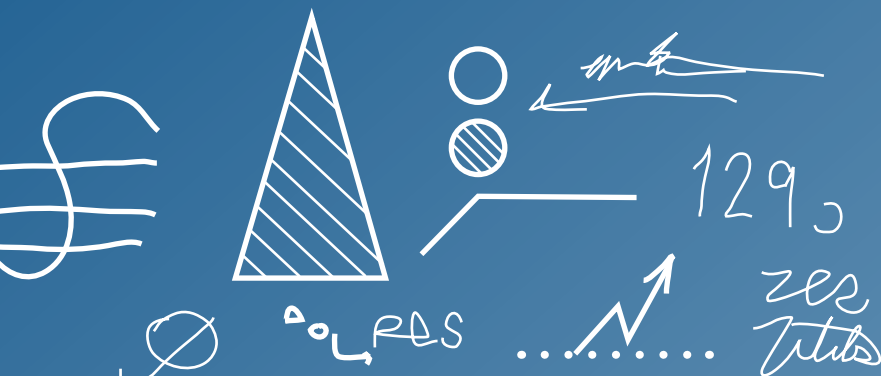
*Your Enclosure Source*®

# NOTES

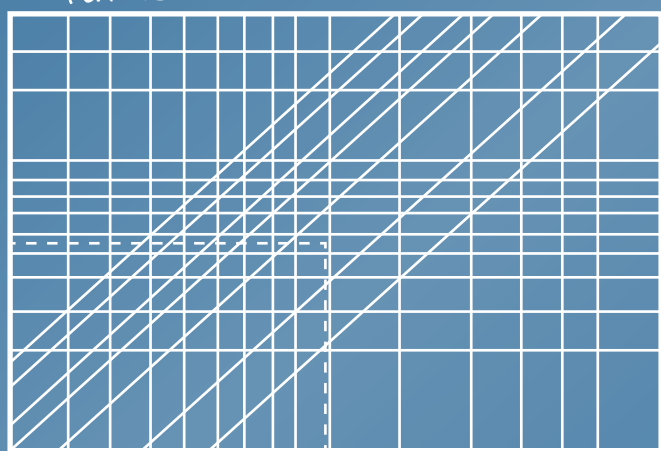


*Your Enclosure Source*®

# NOTES



Fan Blower



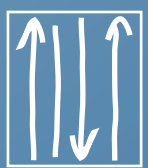
4:35



ne  
no



3779893



3624

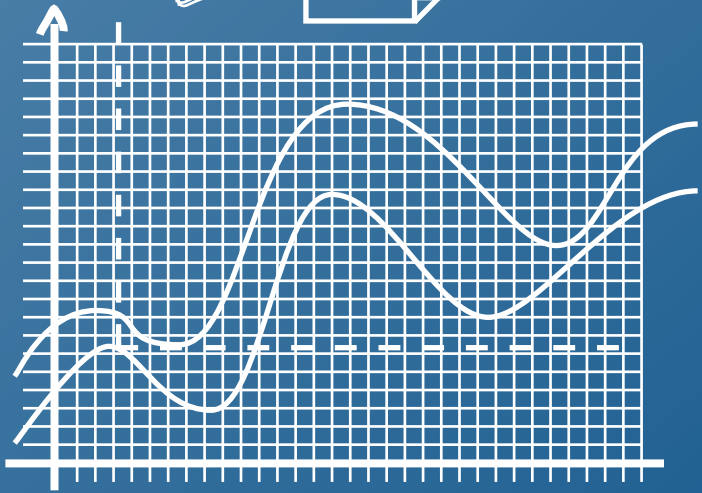
376



enlozen



who



# TECHNICAL INFORMATION

470-472

473

474

475

476

477

478-479



Your Enclosure Source®

These ratings are intended as a guide to help you select the proper enclosure for the environments where it will be installed, when completely and properly installed in Non-Hazardous Locations. These rating descriptions are not complete representations of NEMA or IE standards.

## NEMA

### NATIONAL ELECTRICAL MANUFACTURERS ASSOCIATION

2101 L. Street Northwest • Washington, D.C. 20037  
NEMA Standards Publication No. 250 - Enclosures for Electrical Equipment (1000 Volts Maximum)  
NEMA Standards Publication No. ICS6 - Enclosures for Industrial Controls and Systems

### INTERNATIONAL ELECTROTECHNICAL COMMISSION

3 Rue de Varembe • CH-1211 • Geneva 20, Switzerland  
IEC 60529 Classification of Degrees of Protection Provided by Enclosures

### UNDERWRITERS LABORATORIES, INC.

333 Plingsten Road • Northbrook, IL 60062-2096  
UL50 Cabinets and Boxes  
UL508 Industrial Control Equipment

### CANADIAN STANDARDS ASSOCIATION

178 Rexdale Blvd. • Rexdale (Toronto), Ontario, Canada M9W 1R3  
CSA Standard C22.2 No. 94 Industrial Control Equipment for Use in Ordinary (Non-Hazardous) Locations

### NATIONAL FIRE PROTECTION ASSOCIATION

One Battery March Park • Quincy, MA 02269  
NFPA 70 National Electrical (1999)

### SOCIETY OF AUTOMOTIVE ENGINEERS, INC.

MANUFACTURING STANDARDS OF GENERAL MOTORS, FORD MOTOR COMPANY, AND DAIMLER CHRYSLER CORP.  
400 Commonwealth Drive • Warrendale, PA 15096-0001  
SAE Supplement to NFPA 79-1991

### FORD MANUFACTURING STANDARDS

Ford Motor Company • The American Road • Dearborn, MI 48121

# 470

# INDUSTRY STANDARDS/SOURCES OF STANDARDS

## TYPE I

For indoor use. To provide a degree of protection to prevent accidental contact with enclosure equipment, in areas where unusual conditions do not exist and to provide a degree of protection against falling dirt.

## TYPE 3

For indoor or outdoor use. To provide a degree of protection against falling dirt, rain, sleet, snow, windblown dust, and external formation of ice.

## TYPE 3R

For indoor or outdoor use. To provide a degree of protection against windblown rain, snow, sleet, and external formation of ice.

## TYPE 3S

For outdoor use. To provide a degree of protection against wind blown dust, windblown rain and sleet; external mechanisms remain operable, while ice laden.

## TYPE 4

For indoor or outdoor use. To provide a degree of protection against windblown rain and dust, splashing or hose directed water, and external formation of ice.

## TYPE 4X

For indoor or outdoor use. To provide a degree of protection against windblown rain and dust, splashing or hose directed water, and external formation of ice. Corrosion resistant.

## TYPE 6P

For indoor or outdoor use. To provide a degree of protection against falling dirt, hose directed water, entry of water during prolonged submersion at a limited depth, and external formation of ice.

## TYPE I2

For indoor use. To provide a degree of protection against dust, falling dirt, dripping non-corrosive liquids, lint, fibers, external condensation of non-corrosive liquids, and light splashing of water.

## TYPE I3

For indoor use primarily. To provide a degree of protection against dust, spraying of water, oil, and noncorrosive coolant.

## IP 30\*

Protects against incidental contact with wiring and components.

## IP 32\*

Protects against incidental contact with wiring and components and spraying water 60 degrees from vertical.

## IP 54\*

Protected against the penetration of dust. Limited ingress with no harmful penetration of dust. Protected against water spray from all directions. Limited ingress permitted.

## IP 55

Protects against dirt, dust, oil, non-corrosive materials, and water projected by nozzle.

## IP 66\*

Totally protected against the penetration of dust. Protected against strong jets of water.  
*\*IEC Publication 60529 Classification of degrees of protection by enclosures from surrounding environment.*

# INDUSTRY STANDARDS/CATALOG REFERENCES

On each catalog page you will find the Industry Standards as listed below identifying the industry standards to the series of parts on that page, adjacent to each part number you find a corresponding number IS1 through IS24 indicating the specific Industry Standards that apply to the specific part.

## IS1 Industry Standards

NEMA Type 12 & 13  
UL Listed Type 12  
CSA Type 12  
IEC 60529 IP55

## IS2 Industry Standards

NEMA Type 4, 12 & Type 13  
UL Listed Type 4 & 12  
CSA Type 4 & 12  
IEC 60529 IP66

## IS3 Industry Standards

NEMA Type 3R, 12 & Type 13  
UL Listed Type 3R & 12  
CSA Type 3R & 12  
IEC 60529 IP55

## IS4 Industry Standards

NEMA Type 3R, 4, 12 & Type 13  
UL Listed Type 3R, 4, & 12  
CSA Type 3R, 4 & 12  
IEC 60529 IP66

## IS5 Industry Standards

NEMA Type 4, 4X, 12 & Type 13  
UL Listed Type 4, 4X & 12  
CSA Type 4, 4X & 12  
IEC 60529 IP66

## IS6 Industry Standards

NEMA Type 3R, 4, 4X, 12 & Type 13  
UL Listed Type 3R, 4, 4X & 12  
CSA Type 3R, 4, 4X & 12  
IEC 60529 IP66

## IS7 Industry Standards

NEMA Type 3R  
UL Listed Type 3R  
CSA Type 3R  
IEC 60529 IP32

## IS8 Industry Standards

NEMA Type 1  
UL Listed Type 1  
CSA Type 1  
IEC 60529 IP30

## IS9 Industry Standards

UL Component Recognized  
CSA Component Recognized

## IS10 Industry Standards

UL Component Recognized

## IS11 Industry Standards

UL Component Recognized Type 3R

## IS16 Industry Standards

NEMA Type 3RX  
UL Listed Type 3RX  
CSA Type 3RX  
IEC 60529 IP32

## IS17 Industry Standards

NEMA Not Applicable  
UL Not Applicable  
CSA N/A

## IS19 Industry Standards

UL Recognized Type 3R, 4 & 12  
IEC 60529 IP56

## IS20 Industry Standards

UL Recognized Type 3R, 4, 4X & 12  
IEC 60529 IP56

## IS22 Industry Standards

UL Recognized Type 3R & 12  
IEC 60529 IP54

## IS24 Industry Standards

UL Component Recognized

**Special Instructions apply for IS3, IS4 and IS6 to maintain the environmental rating of Type 3R for these parts. Instructions are included in the enclosure. To maintain Type 3R listing, Drainage is required. Install equally rated drainage device or drill a 1/8 to 1/4 inch hole in the bottom center of the enclosure, approximately 1 inch from the right, and 1 inch from the left for drainage, use listed rain-tight or wet location hubs. Drip shield over the door is recommended for all outdoor applications.**

# COMPARISON OF IEC AND CSA NEMA, UL AND CUL RATING

NEMA 250 and UL 50 specify requirements and test for the degree of protection against entry as well as environmental conditions such as falling dirt, ice, corrosion, oil and coolants whereas IEC 60529 does not have such requirements. Different rating requirements make comparison difficult and disagreements are common.

The IEC designation consists of the letters IP followed by two numerals. The first number indicates the degree of protection against access to hazardous parts and solid foreign objects entering the enclosure. The second number indicates the degree of protection provided by the enclosure with respect to the harmful ingress of water.

CAUTION IS NECESSARY WHEN ATTEMPTING TO EQUATE IEC AND NEMA ENCLOSURE RATINGS BECAUSE AN EXACT EQUIVALENCE IS NOT POSSIBLE.

IP FIRST CHARACTER	"TYPE" RATED ENCLOSURES														IP SECOND CHARACTER		
	1	2	3	3R	3S	4	4X	5	6	6P	12	12K	13				
IP0_	A	B	A	B	A	B	A	B	A	B	A	B	A	B	A	B	IP_0
IP1_			A	B	A	B	A	B	A	B	A	B	A	B	A	B	IP_1
IP2_				A	B	A	B	A	B	A	B	A	B	A	B	A	IP_2
IP3_					A	B	A	B	A	B	A	B	A	B	A	B	IP_3
IP4_						A	B	A	B	A	B	A	B	A	B	A	IP_4
IP5_							A	B	A	B	A	B	A	B	A	B	IP_5
IP6_								A	B	A	B	A	B	A	B	A	IP_6
										A	B	A	B	A	B	A	IP_7
											A	B	A	B	A	B	IP_8
	A	B	A	B	A	B	A	B	A	B	A	B	A	B	A	B	

**A = IP FIRST CHARACTER**

A shaded block in the "A" column indicates that the enclosure type exceeds the requirements for the respective IEC 60529 IP first character designation. The IP first character designation is the degree of protection against access to hazardous parts and solid foreign objects.

**B = IP SECOND CHARACTER**

A shaded block in the "B" column indicates that the NEMA Enclosure type exceeds the requirements for the respective IEC 60529 IP second character designation. The IP second character designation is the degree of protection against the ingress of water.



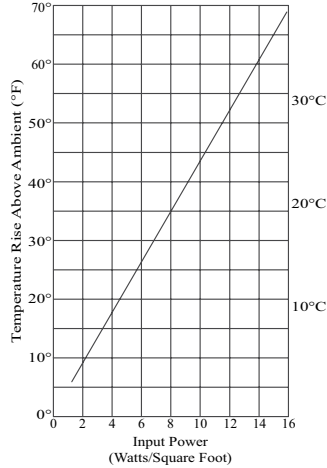
# THERMAL MANAGEMENT CHARTS

## Enclosure Temperature Rise Heat Dissipation in Electrical Enclosures

Surface Area = 2[(Height x Width)+(Height x Depth)+(Width x Depth)]÷144  
 Input Power = Watts ÷ Total Sq. Ft.

*Example:*

Surface Area = 2[(48 x 36) + (48 x 16) + (36 x 16)] ÷ 144 = 42 Sq. Ft.  
 Input Power = 300 ÷ 42 = 8.1 Watts per Sq. Ft.



### EXAMPLE

An enclosure generates 550 Watts of internal heat. Maximum temperature inside the enclosure is 100°F. The maximum temperature outside the enclosure is 85°F.

**Step 1:** 550 Watts

**Step 2:** 100°F - 85°F = 15°F  
(internal temperature difference)

**Step 3:** Plot application.

**Step 4:** Select best combination for filter and fan package(s) and exhaust grille kit(s).

### Alternate Method of Selection:

**Step 1:** Choose a filter fan package.

**Step 2:** Draw a vertical line from the fan package.

**Step 3:** Draw a horizontal line from the internal heat load in Watts.

**Step 4:** The point of intersection is the approximate internal temperature difference using the selected fan package.

SCE-FA/N12FA (Fan Package)

Filter, Fan & Grille

SCE-CF (Cooling Fan)

Fan Motor & Finger Guard

SCE-BP (Blower Package)

**Step 1:** Determine the internal heat load in Watts.

**Step 2:** Determine temperature difference between the maximum temperature outside the enclosure and the maximum allowable temperature inside the enclosure.

**Step 3:** Plot your application on the chart.

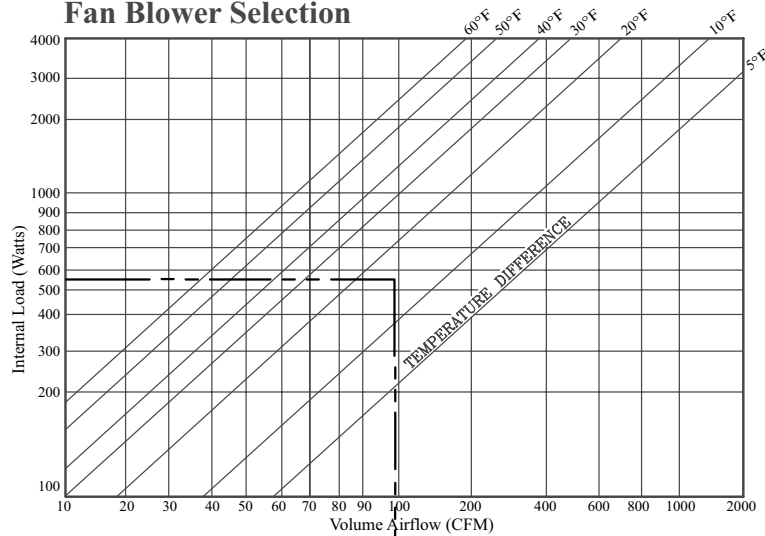
- Find the internal heat load in Watts. (vertical scale)
- Draw a horizontal line to the point of intersection with the diagonal line representing temperature difference.
- From that point, extend a vertical line down to the horizontal scale to determine your CFM requirement.
- Continue the vertical line to the table to identify applicable filter fan package(s).

**Step 4:** Select the filter fan package and exhaust grille kit which best fits the application.

### Help Notes - Electronic Conversions:

1 Watt = 3.413 BTU/hr  
 Volts x Amps = Watts

## Fan Blower Selection



SCE-CF4	95/115 CFM
SCE-CF4-230	
SCE-CF6	203/238 CFM
SCE-CF6-230	
SCE-CF10	600/665 CFM
SCE-CF10-230	
SCE-FA44	63/75 CFM
SCE-FA44-230	
SCE-FA66	135/158 CFM
SCE-FA66-230	
SCE-FA1010	400/440 CFM
SCE-FA1010-230	
SCE-FA66-24VDC	155 CFM
SCE-FA1010-24VDC	425 CFM
SCE-BP115	190/230 CFM
SCE-BP230	
SCE-N12FA44	
SCE-N12FA44-230	
SCE-N12FA44LG	26/29 CFM
SCE-N3RFA44	
SCE-N3RFA44-230	
SCE-N12FA66	
SCE-N12FA66-230	135/159 CFM
SCE-N3RFA66	
SCE-N3RFA66-230	
SCE-N12FA1010	
SCE-N12FA1010-230	306/341 CFM
SCE-N3RFA1010	
SCE-N3RFA1010-230	
SCE-N12FA10HF	483/547 CFM
SCE-N12FA10HF-230	
SCE-N12FA10HF-460	
SCE-N12FA44-24VDC	27 CFM
SCE-N12FA44-24VDCLG	
SCE-N12FA66-24VDC	132 CFM
SCE-N12FA66-24VDCLG	
SCE-N3RFA10HF	435/494 CFM
SCE-N3RFA10HF-230	

# MATERIAL SPECIFICATIONS

## HOT ROLLED STEEL (ASTM A569)

A low carbon, hot finished steel, produced by passing bar stock between a set of rolls at a temperature above the recrystallization temperature. Scale is removed by means of a hot, weak sulfuric acid bath, after which an oil film is applied.

## COLD ROLLED STEEL (ASTM A366)

A low carbon, cold finished steel, produced by passing bar stock between a set of rolls.

## GALVANIZED STEEL (ASTM A526)

Steel which is zinc coated to provide corrosion resistance. Hot dip galvanizing is the most common method of applying zinc coating. Other methods include electrodeposition and metal spraying. Galvanizing provides protection against corrosion by serving as a sacrificial barrier and providing cathodic protection.

## GALVANNEALED STEEL (ASTM A525)

Steel which is zinc coated on both sides. It is designed to be used in the painted condition. Typically hot dipped to A40 and A60 designations.

Features of galvanized steel:

- Corrosion resistance.
- Excellent for paint.
- Easy for weld.
- The combination of galvanized steel and properly selected paint offers resistance to peeling and blistering.

## FIBERGLASS

Thermoset polyester reinforced with glass fiber, processed by injection molding, compression molding, pultrusion, and open molding.

Features of fiberglass:

- High impact resistance.
- A superior range of temperature limits.
- Excellent dimensional stability.
- Excellent electrical properties.
- Excellent chemical resistance.
- Excellent moisture resistance.

## POLYAMIDE (NYLON)

A high performance thermoplastic processed by injection molding.

Features of polyamide:

- High impact resistance.
- Wide temperature limits.
- Excellent wear resistance.
- Excellent chemical resistance.

## STAINLESS STEEL (TYPE 304)

Stainless steel is a highly corrosion resistant iron based alloy containing between 18% and 20% chromium. Stainless steel is a good corrosion resistant material which is generally considered non-magnetic. It exhibits many of the same resistances attributed to fiberglass material and resistance to highly polar solvents such as acetone.

## STAINLESS STEEL (TYPE 316/316L)

Type 316/316L provides improved corrosion resistance to that of other chrome nickel steels. It is used when exposed to chemical corrodents, as well as marine atmospheres. It provides improved resistance to salt, some acids and high temperature. Resistance to sulfates and chlorine is less than type 304.

## ALUMINUM (TYPE 5052)

A lightweight metal that forms a natural oxide layer which shields its surface from most corrosive elements. Type 5052 is the strongest non-heat treatable aluminum alloy.

## POLYCARBONATE

A high performance thermoplastic resin that is processed by injection molding or sheet extrusion.

Features of polycarbonate:

- High impact resistance.
- A wide range of temperature limits.
- Good dimensional stability.
- Good electrical properties.

## POLYESTER (PBT)

A high performance thermoplastic resin that is processed by injection molding.

Features of polyester:

- High impact resistance.
- A wide range of temperature limits.
- Good dimensional stability.
- Excellent electrical properties.
- Excellent chemical resistance.
- Excellent moisture resistance.

## ZINC DIE CASTING (ZAMAK #5)

A zinc die cast is formed when a molten zinc alloy is forced under high pressure into a steel die. SCE uses zinc die casting application Zamak #5, which is the addition of approx. 1% copper to the #3 alloy. This increases the tensile strength of the casting approx. 15%.

Features of Zinc die casting:

- Zinc die castings are strong, economical and often cast to the exact shape needed without additional machining.
- Zinc is a non-ferrous metal, it will not rust.
- Zinc is an abundant natural element which is mined and used in many applications.

# COATING PERFORMANCE CHARACTERISTICS

	POWDER COAT				HIGH SOLIDS	
	SCE STANDARD	FOR REFERENCE ONLY				
	Polyester TGIC	Urethane	Hybrid	Epoxy	Monobake	Permaclad
<b>Pencil Hardness</b>	2H - 3H	H - 2H	H - 2H	3H - 5H	H - 2H	H - 2H
<b>Stain Resistance</b>	EXCELLENT	GOOD	GOOD	EXCELLENT	GOOD	GOOD
<b>Adhesion to C.R.S.</b>	EXCELLENT	EXCELLENT	EXCELLENT	EXCELLENT	GOOD	EXCELLENT
<b>Mar Resistance</b>	EXCELLENT	GOOD	GOOD	EXCELLENT	GOOD	EXCELLENT
<b>Chip Resistance</b>	EXCELLENT	EXCELLENT	EXCELLENT	EXCELLENT	GOOD	EXCELLENT
<b>Flexibility</b>	PASS 1/8"	PASS 1/8"	PASS 1/8"	PASS 1/8"	PASS 1/8"	PASS 1/8"
<b>Direct Impact</b>	60-160 IN-LBS	60-160 IN-LBS	60-160 IN-LBS	60-160 IN-LBS	60-160 IN-LBS	60-160 IN-LBS
<b>Salt Spray</b>	>800 HRS	>600 HRS	>600 HRS	>800 HRS	>600 HRS	>600 HRS
<b>UV Resistance</b>	EXCELLENT	EXCELLENT	POOR	POOR	POOR	EXCELLENT
<b>Heat Resistance</b>	300°F	250°F	250°F	300°F	250°F	250°F
<b>Humidity</b>	>1200 HRS	>1000 HRS	>1000 HRS	>1200 HRS	>1000 HRS	>1000 HRS
<b>Solvent Resistance</b>	GOOD	GOOD	GOOD	EXCELLENT	GOOD	GOOD
<b>MEK</b>	LITTLE EFFECT	DULLS GLOSS	DULLS GLOSS	NO EFFECT	DULLS GLOSS	DULLS GLOSS
<b>Xylene</b>	NO EFFECT	NO EFFECT	NO EFFECT	NO EFFECT	LITTLE EFFECT	NO EFFECT

## Automotive Fluid Resistance 16 Hour Immersion

<b>Gasohol</b>	NO EFFECT	SWELLS	LITTLE EFFECT	NO EFFECT	LITTLE EFFECT	NO EFFECT
<b>Brake Fluid</b>	DULLS GLOSS	BLISTERS	BLISTERS	DULLS GLOSS	BLISTERS	DULLS GLOSS
<b>Antifreeze</b>	NO EFFECT	NO EFFECT	NO EFFECT	NO EFFECT	NO EFFECT	NO EFFECT
<b>Motor Oil</b>	NO EFFECT	SWELLS	NO EFFECT	NO EFFECT	NO EFFECT	NO EFFECT

## Environmental Benefits of Using Powder Coat Products

Solvent-free coatings enable us to comply with changing environmental regulation by dramatically reducing emissions that occur when using solvent-based coatings, while at the same time providing a more dependable and durable product.

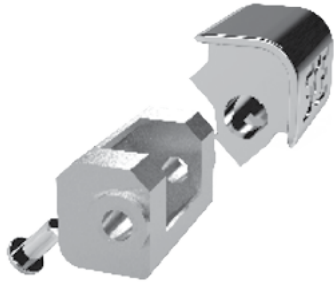
# GASKET PERFORMANCE CHARACTERISTICS

	SCE STANDARD		FOR REFERENCE ONLY		
	Strip Gasket Urethane Sponge Rubber	Pour-In-Place Gasket Urethane Sponge Rubber	Neoprene Sponge Rubber	Silicone Sponge Rubber	Viton Sponge Rubber
	10 LBS / 15LBS	10 LBS / 15LBS	10 LBS / 15LBS	10 LBS / 15LBS	10 LBS / 15LBS
<b>Cold Flexability</b>	EXCELLENT	EXCELLENT	EXCELLENT	EXCELLENT	EXCELLENT
<b>Stain Resistance</b>	GOOD	GOOD	POOR	EXCELLENT	GOOD
<b>Compression Set</b>	EXCELLENT	EXCELLENT	POOR	EXCELLENT	EXCELLENT
<b>Heat Resistance 220°</b>	GOOD	GOOD	POOR	EXCELLENT	EXCELLENT
<b>Uv Resistance</b>	EXCELLENT	EXCELLENT	GOOD	EXCELLENT	GOOD
<b>Corrosion Resistance</b>	EXCELLENT	EXCELLENT	GOOD	EXCELLENT	EXCELLENT
<b>Water Resistance</b>	GOOD	GOOD	GOOD	EXCELLENT	EXCELLENT
<b>Fungal Resistance</b>	GOOD	GOOD	POOR	GOOD	GOOD
<b>Sea Water</b>	EXCELLENT	EXCELLENT	EXCELLENT	EXCELLENT	EXCELLENT
<b>Chlorine Water</b>	EXCELLENT	EXCELLENT	GOOD	EXCELLENT	EXCELLENT
<b>Dark Cutting Oil</b>	EXCELLENT	EXCELLENT	POOR	POOR	EXCELLENT
<b>Cutting Fluid</b>	EXCELLENT	EXCELLENT	POOR	EXCELLENT	POOR
<b>Mek</b>	GOOD	GOOD	POOR	POOR	POOR
<b>Xylene</b>	GOOD	GOOD	POOR	POOR	POOR
<b>Surfuric Acid</b>	POOR	POOR	EXCELLENT	EXCELLENT	EXCELLENT
<b>Phosphoric Acid</b>	POOR	POOR	EXCELLENT	EXCELLENT	EXCELLENT
<b>Citric Acid</b>	POOR	POOR	POOR	EXCELLENT	EXCELLENT

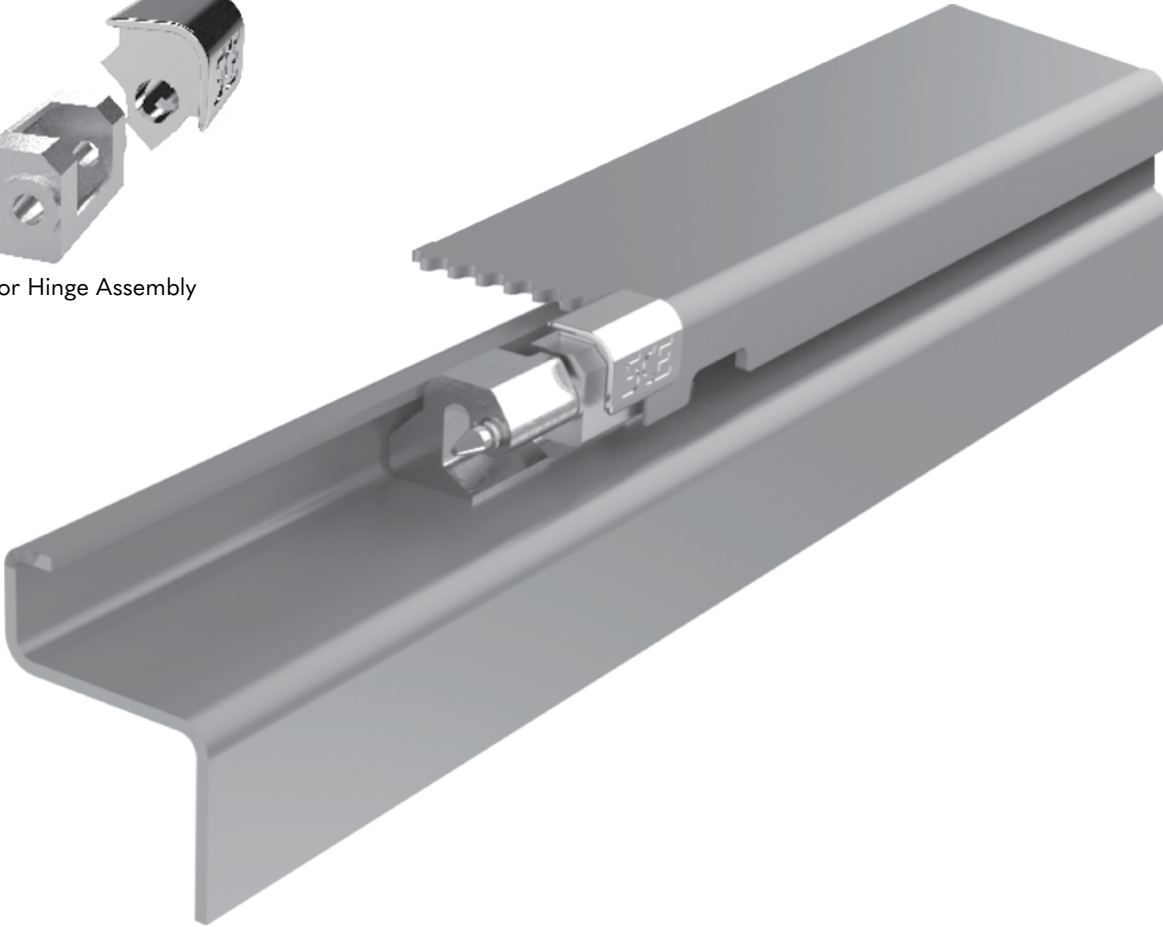
## AUTOMOTIVE FLUID RESISTANCE

<b>Unleaded Gasoline</b>	EXCELLENT	EXCELLENT	POOR	POOR	POOR
<b>Brake Fluid</b>	GOOD	GOOD	POOR	POOR	EXCELLENT
<b>Antifreeze</b>	GOOD	GOOD	GOOD	GOOD	GOOD
<b>Motor Oil</b>	EXCELLENT	EXCELLENT	POOR	POOR	EXCELLENT

# SCE CONCEALED HINGES



Door Hinge Assembly



Hinges are concealed for increased cosmetic appearance and makes the hinge pin tamper resistant.  
Hinges are installed after the coating operations for increased corrosion protection.  
Hinge pins are made from stainless steel.  
Allows doors 180 degrees of mobility.

#### Door Hinge Assemblies

- SCE-DHA12 - 12 gauge door hinge assembly
- SCE-DHA12SS - Stainless 12 gauge door hinge assembly
- SCE-DHA14 - 14 gauge door hinge assembly
- SCE-DHA14SS - Stainless 14 gauge door hinge assembly

#### Hinge With Pin

- SCE-3918 - Small enclosures
- SCE-3918SS - Small stainless steel enclosures
- SCE-3916 - Large enclosures
- SCE-3916SS - Large stainless steel enclosures

#### Maximum Recommended weight added to the door:

- Two small hinges - 75 lbs
- Three small hinges - 175 lbs
- Four small hinges - 250 lbs
- Two large hinges - 100 lbs
- Three large hinges - 250 lbs
- Four large hinges - 350 lbs

Note: It is always recommended that the weight is distributed equally throughout the door or nearest to the hinge side. Maximum recommended door with is 40 inches.



Hinge with Pin



Your Enclosure Source®

# GENERAL PRODUCT INFORMATION

## ORDERING INFORMATION

Orders can be placed with Saginaw Control directly through the sales department at our factory or with an authorized sales representative. All items which must be added to the enclosure must be ordered separately. Prices printed in this catalog supersede all previously published lists. Prices are subject to change without notice, and any errors in this publication will be corrected on the succeeding price list. Prices do not include sub-panels unless the sub-panel has been specified as included with the enclosure.

## INSTALLATION INSTRUCTIONS

For the convenience of our customers, SCE has an installation manual available at [www.saginawcontrol.com](http://www.saginawcontrol.com). These instructions cover a wide range of topics from disconnect information to detailed drawings of parts.

## COOLING AND AIR CONDITIONING

A variety of air conditioning and cooling options are available for stock and custom ordered enclosures. Please contact a sales representative to solve your air conditioning needs.

## APPLICATION

Saginaw Control & Engineering products are designed primarily for industrial or commercial electrical applications. Utilization of the products shown in this catalog for this purpose should be done only by qualified electrical technicians or professional electricians. Design, selection, installation and use of SCE products must conform to all applicable local, state and federal laws, regulations and ordinances.

## SHIPPING, STORAGE, ASSEMBLY AND MOUNTING

Enclosures are designed and manufactured for permanent floor or wall-mounting. Until securely mounted, many enclosures require stabilizing support. Care should be taken during storage, handling, and assembly to avoid severe impacts or shocks. Enclosures must be mounted securely to structures which can completely support the weight of the enclosure and components. SCE is not responsible for damage to enclosures due to improper packaging after installation of equipment and components.

## DIMENSIONS, SPECIFICATIONS AND WEIGHTS

Dimensions, specifications and weights are intended as representations of the size, function, appearance and weight of our products. They are not intended to show details of construction, design, or to be used as engineering specifications. Shipping weights included in this catalog do not include the weight of the sub-panel or any other accessories unless specified as included with the enclosure. Because technical details of construction and design are subject to change without notice, we recommend that you consult Saginaw Control and Engineering for current technical data.

## ENVIRONMENTAL PROTECTION AND FINISH

SCE enclosures, unless otherwise specified, are finished with a polyester powder coat recoatable finish over 7-stage pretreatment process. These finishes will provide ordinary protection against corrosion in average industrial indoor areas. Special materials and finishes are available for outdoor use or special environments, and must be specified at the time of the order.

## ADDITIONS, ALTERATIONS, CONNECTIONS AND WIRING

SCE enclosures are designed to meet the specifications as described in this catalog. The safety or effectiveness of any additions or alterations cannot be assured if they are not made in the plant. Accessory items are designed to function with SCE enclosures. Accessories are for use only as described in this catalog. Before any circuits are energized, all internal and external electrical and mechanical clearances must be checked to assure proper functioning. Due to the variety of installed equipment, applications, and location, SCE cannot anticipate all possible interferences. Designers, assemblers and installers must consult with equipment manufacturers and observe all safe practices and procedures.

## MATERIALS

Saginaw Control & Engineering is using laser technology in production of our enclosures. This technology requires that the steel used meet exacting specifications. In order to reflect this change, we have changed our material specifications for the enclosures. The use of actual dimensions is more accurate than stating an enclosure is made of a certain gauge of steel. For example, we list our Enviroline® Enclosures as being made of 0.075" carbon steel. Previously, this would have been listed as a 14 gauge steel. 14 gauge steel can range from .0677" to .0817" thick. Therefore, by specifying the thickness, SCE can produce a more consistent product.

**Carbon steel** – For interior or exterior applications. This steel must have a corrosion resistant finish applied.

**Type 304 Stainless** – For interior or exterior applications, especially dairies, breweries, food processing areas, or areas that are wet or regularly hosed down. No additional finish is necessary.

**Type 316/316L Stainless** – For interior or exterior applications, especially marine environments with increased exposure to salt, or areas with extremely high temperatures. No additional finish is necessary. Most SCE enclosures can be custom built from Type 316/316L material.

**Fiberglass** – For interior or exterior applications, especially for exposure to salt, corrosive agents, chemicals, or extremely wet areas. No additional finish is necessary.

## DESIGN SUPPORT

Saginaw Control has a skilled, experienced design team ready to help you design your enclosure to fit your specific requirements. Simply fax your sketch and/or specifications, and our staff will design your enclosure, console, or precision sheet metal fabrication. If you prefer, you can send your own drawings to SCE via electronic mail or fax and let SCE handle the rest.

For your convenience, CAD drawings of stock SCE enclosures are now available from our Internet web site. Simply move the CAD drawings of a stock enclosure to your system, make the desired modifications, and send it to SCE!

## FINISHES

**Finish Types** include both high solids and powder coat finishes.

**Polyester Powder** – A powder finish with an irregular surface. Suitable for interior or exterior applications. Offers superior corrosion resistance, chemical resistance, weather protection, and resistance to scrapes and scratches.

**Recoating** – All SCE stock enclosures can be easily recoated. To ensure good adhesion, sand all surfaces with 220 to 400 grit sandpaper. Wet wipe all surfaces with Aliphatic Solvent or detergent wash. (Always follow instructions provided by your paint manufacturer). Surface must be dry and free of oil, dust, dirt or any other foreign substances before recoating. To avoid discoloration of Alkyd finishes, do not bake over 250 degree F.

Compatible paints are:

1. All Industrial Enamel
2. Acrylic Enamel
3. Epoxy
4. Polyurethane
5. Polyester

For any other type of paint, check with your paint manufacturer to be sure that the paint you are applying is compatible with the paint on your SCE product.

## CUSTOM ORDERS

Contact your local Sales Representative or a factory representative. They will assist you in quoting price and delivery for your needs.

Your purchase order should include:

- Quantity
- Size (Height x Width x Depth)
- Sub-panel Size (Height x Width)
- Sub-panel Location
- Finish Specifications
- Lead Time / Delivery Deadline
- Material
- Special Instructions
- Drawing Numbers (If Applicable)



*Your Enclosure Source*®

# NOTES





*Your Enclosure Source*®

# NOTES

# PRODUCT NAME INDEX

## A

AC Replacement Filters	464
AC Service Parts	464
Accessories, Free-Standing	144
Accessories, Industrial Modular System (IMS)	206
Accessories, Modular Enclosures	193
Accessories, Work Station	38
Air Conditioners, 1000 BTU	354
Air Conditioners, 10200 BTU	362
Air Conditioners, 13650 BTU	364
Air Conditioners, 1870 BTU	356
Air Conditioners, 21160 BTU	366
Air Conditioners, 2550 BTU	356
Air Conditioners, 3400 BTU	358
Air Conditioners, 5100 BTU	360
Air Conditioners, 6800 BTU	360
Air Conditioners, 8500 BTU	362
Air Conditioners, Enviro-Therm	354
Aluminum Sub-Panels	446
Angle Iron Mounting Feet	434

## B

Barrier Extension	453
Barrier Plates	453
Bases	413
Blower Packages	397
Bolt Packs	464
Breather Vent	397

## C

Cable Door Stops	410
Captive Screws	463
Caster Kit	434
Center Channel Gasket	461
Changeover Thermostat	396
Channel Nuts	462
Clamp Cover Enclosures, Fiberglass	348
Clamp Fastened Single-Door Disconnect Enclosures	110
Clamp Fastened Single-Door Disconnect Enclosures, S.S.	296
Clamp Fastened Single-Door Enclosures	98
Clamp Fastened Single-Door Enclosures, Stainless Steel	296
Clamping Nuts	462
Clamps	407
Cleaner, Stainless Steel	464
Columns	413
Conductive Tape	461
Consoles, Desk	28
Consoles, Desk Stainless Steel	224
Consoles, Series 14	24
Consoles, Series 9	22
Consolets, ELJ	20
Consolets, ELJ Stainless Steel	222
Continuous Hinge Junction Enclosures	86
Continuous Hinge Junction Enclosures, Stainless Steel	268
Convenience Receptacles	408
Coolers, Thermoelectric	386
Cooling Fans	401

CSE Program	10
Counter Balance Suspension Arms	426

## D

Dead Front Extension Bracket	451
Dead Front Panels	450
Desk Consoles	28
Desk Consoles, Stainless Steel	224
Desktop Work Station	34
Desktop Work Station, Stainless Steel	224
Disconnect Adapters	417
Disconnect Cover Plates	417
Disconnect Enclosures, Clamp Fastened Single-Door	110
Disconnect Enclosures, Clamp Fastened Single-Door Stainless Steel	292
Disconnect Enclosures, Enviroline Single-Door	106
Disconnect Enclosures, Enviroline Single-Door Stainless Steel	290
Disconnect Enclosures, Enviroline Sloping Top Single-Door	294
Door Stainless Steel	
Disconnect Enclosures, Enviroline Sloping Top Two-Door	312
Disconnect Enclosures, Enviroline Two-Door	162
Disconnect Enclosures, Enviroline Two-Door Stainless Steel	310
Disconnect Enclosures, Free-Standing / Wall-Mount Multi-Door	156
Disconnect Enclosures, Heavy Duty Free-Standing	164
Disconnect Enclosures, Heavy Duty Free-Standing Stainless Steel	314
Disconnect Enclosures, Heavy Duty w/ External	172
Disconnect Installed	
Disconnect Enclosures, Heavy Duty w/ External	322
Disconnect Installed S.S.	
Disconnect Enclosures, Single-Door w/ SCE Hardware	108
Disconnect Enclosures, Two-Door Floor-Mounted	162
Disconnect Enclosures, Vented Type 3R	112
Disk Pocket	454
Door Gasket	461
Door Hardware	404
Door Stop Kit	410
Drain Vent	397
Drip Shield Kits	412
Dual Access, Single-Door Free-Standing Enclosures	140
Dual Access, Two-Door Free-Standing Enclosures	142
Dual Thermostat	396

## E

EL Flush Mount Frames	432
Electrical Interlock	416
Electrical Interlock Defeater	416
ELJ Consolets	20
ELJ Consolets, Stainless Steel	222
EMI Gasket	461
Enviroline Junction Enclosures	74
Enviroline Junction Enclosures w/ Viewing Window	78
Enviroline Junction Enclosures w/ Viewing Window, Stainless Steel	262
Enviroline Junction Enclosures, Stainless Steel	260
Enviroline Junction Trough Enclosures	80

Enviroline Junction Trough Enclosures w/ Viewing Window	84	Floor-Mounted, Enviroline Two-Door Disconnect Enclosures Stainless Steel	310
Enviroline Junction Trough Enclosures w/ Viewing Window, Stainless Steel	266	Floor-Mounted, Enviroline Two-Door Enclosures	130
Enviroline Junction Trough Enclosures, Stainless Steel	264	Floor-Mounted, Enviroline Two-Door Enclosures Stainless Steel	300
Enviroline Single-Door Disconnect Enclosures	106	Floor-Mounted, Overlapping Two-Door Enclosures	132
Enviroline Single-Door Disconnect Enclosures, Stainless Steel	290	Floor-Mounted, Two-Door Disconnect Enclosures	162
Enviroline Single-Door Enclosures	90	Flush Mount Frames for Enviroline Wall-Mount Enclosures	432
Enviroline Single-Door Enclosures w/ 3-Point Hardware	96	Flush Swing Handles	406
Enviroline Single-Door Enclosures w/ 3-Point Hardware, Stainless Steel	270	Folding Shelves	413
Enviroline Single-Door Enclosures, Free-Standing Stainless Steel	304	Free-Standing / Wall-Mount Multi-Door Disconnect Enclosures	156
Enviroline Single-Door Enclosures, Stainless Steel	272	Free-Standing Enclosures Accessories	144
Enviroline Sloping Top Single-Door Disconnect Enclosures, Stainless Steel	294	Free-Standing Enviroline Single-Door Enclosures, Stainless Steel	304
Enviroline Sloping Top Single-Door Enclosures, Stainless Steel	276	Free-Standing Enviroline Two-Door Enclosures, Stainless Steel	306
Enviroline Sloping Top Two-Door Disconnect Enclosures, Stainless Steel	312	Free-Standing Enviroline Two-Door Single Access Enclosures	136
Enviroline Sloping Top Two-Door Enclosures, Stainless Steel	302	Free-Standing Heavy Duty Disconnect Enclosures	164
Enviroline Two-Door Disconnect Enclosures	166	Free-Standing Heavy Duty Disconnect Enclosures, Stainless Steel	314
Enviroline Two-Door Disconnect Enclosures, Stainless Steel	310	Free-Standing Heavy Duty Enclosures w/ External Disconnect Installed	172
Enviroline Two-Door Enclosures, Floor-Mounted	130	Free-Standing Heavy Duty Enclosures w/ External Disconnect Installed, S.S.	322
Enviroline Two-Door Enclosures, Floor-Mounted Stainless Steel	300	Free-Standing Multi-Door Enclosures	152
Enviroline Two-Door Enclosures, Free-Standing	138	Free-Standing Single-Door, Dual Access Enclosures	140
Enviroline Two-Door Enclosures, Free-Standing Stainless Steel	306	Free-Standing Single-Door, Single Access Enclosures	134
Enviroline Two-Door Enclosures, Wall-Mount	102	Free-Standing Two-Door, Dual Access Enclosures	142
Enviroline Two-Door Enclosures, Wall-Mount Stainless Steel	288	Free-Standing Two-Door, Single Access Enclosures	136
Enviro-Therm Air Conditioners	354	Free-Standing Two-Door, Single Access Enclosures Stainless Steel	308
Enviro-Therm Heat Exchangers	392		
Exterior Print Pockets	454	<b>G</b>	
External Disconnect Enclosures	458	Galvanized Sub-Panels	444
Ethernet Converter Kit	397	Gasket	461
<b>F</b>		General Purpose Type 1 Enclosures	120
Fan Heaters	402	General Purpose Type 1 Enclosures w/ Knockouts	122
Fan Heaters w/ Thermostat	402	Grounding Bars	410
Fans & Filter Packages	398	Grounding Straps	410
Fans & Filter Packages, Type 12	398	<b>H</b>	
Fans & Filter Packages, Type 3R	399	Handles, Flush Swing	406
Fans, Cooling	399	Handles, SCE	405
Fiberglass Clamp Cover Enclosures	348	Handles, Stainless Steel	405
Fiberglass Junction Enclosures	344	Heat Exchangers, Enviro-Therm	392
Fiberglass Junction Enclosures w/ Viewing Window	346	Heaters w/ Thermostat	392
Fiberglass Pushbutton Enclosures	340	Heaters, Touch Safe	392
Fiberglass Screw Cover Enclosures	342	Heavy Duty Free-Standing Disconnect Enclosures	164
Filler Plates	447	Heavy Duty Free-Standing Disconnect Enclosures, Stainless Steel	314
Filter Assembly	403	Heavy Duty Free-Standing Enclosures w/ External Disconnect Installed	192
Filters, Replacement	464	Heavy Duty Free-Standing Enclosures w/ External Disconnect Installed	180
Finger Guards	401	Disconnect for Rotary Disconnect	
Floor Stand Kits	436	Heavy Duty Free-Standing Enclosures w/ External Disconnect Installed, S.S.	322
Floor-Mounted, Enviroline Two-Door Disconnect Enclosures	162	Heavy Duty Mounting Kit	434

Hinged Access Enclosures	456	Mini Quarter Turn Latches	404
Hinged Cover 3R Enclosures	116	Modular Enclosures	190
Hinged Pushbutton Enclosures	66	Modular Enclosures Accessories	193
Hinged Window Enclosures	456	Monitor Mounting Bracket	40
Hinges	463	Mounting Feet, Angle Iron	434
HMI Enclosures	46	Mounting Foot Kits for ELJ Enviroline Enclosures	435
HMI Enclosures, Stainless Steel	242	Mounting Foot Kits for Enviroline Enclosures	435
HMI Keyboard Shelf	44	Mounting Foot Kits for Type 3R Enclosures	435
HMI Keyboard Shelf, Stainless Steel	48	Mounting Strap for Type 1 Enclosures	433
HMI Pull Handles	49	Mounting Strap for Type 3R Enclosures	433
Hole Plugs	418	Multi-Door Free-Standing / Wall-Mount Disconnect Enclosures	156
Hole Seals	418	Multi-Door Free-Standing Enclosures	152
Hygrostat	396	<b>N</b>	
<b>I</b>		Nema 1 General Purpose Enclosures	120
Individual Panel Supports	448	Nema 1 General Purpose Enclosures w/ Knockouts	122
Industrial Modular System (IMS) Accessories	206	Nextgen Air Conditioners	368
Industrial Modular System (IMS) Enclosures	198	<b>O</b>	
Interlock, Electrical	416	Orange Safety Label	460
Interlock, Mechanical	416	Overlapping Two-Door Floor-Mounted Enclosures	132
Internal Disconnect Enclosures	457	Overlapping Two-Door Wall-Mount Enclosures	102
<b>J</b>		<b>P</b>	
Junction Enclosures, Continuous Hinge	86	Padlock Kit for Junction Boxes	405
Junction Enclosures, Continuous Hinge Stainless Steel	276	Paint Pens, Touch Up	463
Junction Enclosures, Enviroline	74	Paint, Touch Up	463
Junction Enclosures, Enviroline Stainless Steel	260	Pedestal Mount Work Station	34
Junction Enclosures, Enviroline Trough	80	Pedestal Mount Work Station, Stainless Steel	230
Junction Enclosures, Enviroline Trough Stainless Steel	264	Perforated Sub-Panels, Type 1	448
Junction Enclosures, Enviroline Trough w/ Viewing Window	84	Pole Mount Kit	432
Junction Enclosures, Enviroline Trough w/ Viewing Window Stainless Steel	266	Polycarbonate Enclosures	328
Junction Enclosures, Enviroline w/ Viewing Window	78	Polycarbonate Enclosures with Window	330
Junction Enclosures, Enviroline w/ Viewing Window Stainless Steel	262	Print Pockets	454
Junction Enclosures, Fiberglass	344	Program Ports	408
Junction Enclosures, Fiberglass w/ Viewing Window	346	Pull Handles	407
Junction Enclosures, Screw Cover	88	Pull Handles, HMI	49
<b>K</b>		Pullout Keyboard Drawer	411
Keyboard Drawer, Pullout	411	Pushbutton Enclosures	56
Keyboard Kit	411	Pushbutton Enclosures, Fiberglass	338
Keyboard Shelf, HMI	44	Pushbutton Enclosures, Hinged	66
Keys	463	Pushbutton Enclosures, Hinged Stainless Steel	250
<b>L</b>		Pushbutton Enclosures, Sloping Front	70
Latches, Mini Quarter Turn	405	Pushbutton Enclosures, Stainless Steel	252
Latches, Quarter Turn	405	<b>Q</b>	
LED Light Kits	414	Quarter Turn Latches	404
LED Replacement Bulbs	464	Quick Release Clamps	407
LED Strip Light Cords	415	<b>R</b>	
LED Strip Lights	415	Rain Hoods	400
Leveling Pads	434	Rain Hoods, 4X	400
Lifting Lugs	434	Rain Hoods w/ Access Cover	400
Light Kits	414	Remote Mount Temperature Display	397
Light Switch Assembly	414	Removable Wire Covers	411
Light Switch Mounting Bracket	414	Replacement Filters	464
Louver & Filter Kits	403	Replacement Filters, AC	465
Louvered Skirt Kits	438	Replacement LED Bulbs	464
<b>M</b>		<b>S</b>	
Mechanical Defeater	461	Safety Label, Orange	460
Mechanical Hygrostat	396	SCE Handles	405
Mechanical Interlocks	416	SCE Handles, Stainless Steel	405
		Screw Cover Enclosures	88
		Screw Cover Fiberglass Enclosures	342
		Screw Cover Type 3R Enclosures	118
		Sealing Washers	462

Series 14 Consoles	24	Stainless Steel Enviroline Single-Door Enclosures	272
Series 9 Consoles	22	Stainless Steel Enviroline Single-Door Enclosures w/ 3-Point Hardware	270
Shelves, Folding	413	Stainless Steel Enviroline Sloping Top Single-Door Enclosures	276
Single Access, Single-Door Free-Standing Enclosures	134	Stainless Steel Enviroline Sloping Top Two-Door Enclosures	302
Single Access, Single-Door Free-Standing Enclosures Stainless Steel	304	Stainless Steel Enviroline Two-Door Floor-Mounted Enclosures	300
Single Access, Two-Door Free-Standing Enclosures	136	Stainless Steel Enviroline Two-Door Wall-Mount Enclosures	288
Single Access, Two-Door Free-Standing Enclosures Stainless Steel	308	Stainless Steel Free-Standing Two-Door Single Access Enclosures	308
Skirt Kits	438	Stainless Steel Handles	405
Slope Top Work Station	36	Stainless Steel Heavy Duty Free-Standing Disconnect Enclosures	314
Slope Top Work Station, Stainless Steel	232	Stainless Steel Heavy Duty Enclosures w/ External Disconnect Installed	322
Sloping Front Pushbutton Enclosures	70	Stainless Steel Hinged Pushbutton Enclosures	256
Sloping Top Single-Door Stainless Steel Enviroline Disconnect Enclosures	294	Stainless Steel HMI Enclosures	246
Sloping Top Single-Door Stainless Steel Enviroline Enclosures	276	Stainless Steel HMI Keyboard Shelf	244
Sloping Top Two-Door Stainless Steel Disconnect Enviroline Enclosures	312	Stainless Steel Pedestal Mount Work Station	230
Sloping Top Two-Door Stainless Steel Enviroline Enclosures	302	Stainless Steel Pushbutton Enclosures	252
Stainless Steel Air Conditioners, 1000 BTU	354	Stainless Steel Skirt Kits	438
Stainless Steel Air Conditioners, 10200 BTU	362	Stainless Steel Slope Top Work Station	232
Stainless Steel Air Conditioners, 13650 BTU	364	Stainless Steel Work Station	228
Stainless Steel Air Conditioners, 1870 BTU	356	Strip Light Cords	415
Stainless Steel Air Conditioners, 21160 BTU	366	Strip Lights, LED	415
Stainless Steel Air Conditioners, 2550 BTU	356	Sub-Panels, Aluminum	446
Stainless Steel Air Conditioners, 3400 BTU	358	Sub-Panels, ELJ Consolet	446
Stainless Steel Air Conditioners, 5100 BTU	360	Sub-Panels, Enviroline Junction Enclosures	449
Stainless Steel Air Conditioners, 6800 BTU	360	Sub-Panels, Enviroline Trough Junction Enclosures	449
Stainless Steel Air Conditioners, 8500 BTU	362	Sub-Panels, Galvanized	444
Stainless Steel Clamp Fastened Single-Door Enclosures	296	Sub-Panels, Stainless Steel	442
Stainless Steel Cleaner	464	Sub-Panels, Steel	440
Stainless Steel Columns & Bases	413	Sub-Panels, Type 1	447
Stainless Steel Continuous Hinge Junction Enclosures	268	Sub-Panels, Type 1 Perforated	448
Stainless Steel Desk Consoles	224	Suspension System	420
Stainless Steel Desktop Work Station	230	Swing-Out Panel Assembly for Enviroline Enclosures	452
Stainless Steel Disconnect Enclosures, Clamp Fastened Single-Door	296	Swing-Out Panel Assembly for LP Enclosures	452
Stainless Steel Disconnect Enclosures, Enviroline Single-Door	290	<b>T</b>	
Stainless Steel Disconnect Enclosures, Enviroline Sloping Top Single-Door	294	Terms & Conditions of Sale	16
Stainless Steel Disconnect Enclosures, Enviroline Sloping Top Two-Door	312	Thermoelectric Coolers	386
Stainless Steel Disconnect Enclosures, Enviroline Two-Door	310	Thermostats	396
Stainless Steel Disconnect Enclosures, Heavy Duty Free-Standing	314	Three-Point Door Rod Kits	406
Stainless Steel Disconnect Enclosures, Heavy Duty w/ External Disconnect Installed	322	Touch Safe Heaters	402
Stainless Steel ELJ Consolets	222	Touch Up Paint	463
Stainless Steel Enviroline Free-Standing Single-Door Enclosures	304	Touch Up Paint Pens	463
Stainless Steel Enviroline Free-Standing Two-Door Enclosures	306	Trough Enclosures, Enviroline	80
Stainless Steel Enviroline Junction Enclosures	260	Trough Enclosures, Enviroline Stainless Steel	264
Stainless Steel Enviroline Junction Enclosures w/ Viewing Window	266	Trough Enclosures, Enviroline w/ Viewing Window	84
Stainless Steel Enviroline Junction Trough Enclosures w/Viewing Window	266	Trough Enclosures, Enviroline w/ Viewing Window Stainless Steel	266
		Type 1 Enclosures w/ Knockouts	122
		Type 1 General Purpose Enclosures	120
		Type 1 Perforated Sub-Panels	448
		Type 12 Fans & Filter Packages	398
		Type 3R Enclosures, Hinged Cover	116
		Type 3R Enclosures, Screw Cover	118
		Type 3R Enclosures, Vented	114
		Type 3R Enclosures, Vented Disconnect	112
		Type 3R Fans & Filter Packages	398

Type 3R Enclosures, Vented Disconnect 112

## U

## V

Vent, Breather 397

Vent, Drain 397

Vented Type 3R Disconnect Enclosures 112

Vented Type 3R Enclosures 114

## W

Wall-Mount, Clamp Fastened Single-Door Disconnect Enclosures 110

Wall-Mount, Clamp Fastened Single-Door Enclosures 98

Wall-Mount, Enviroline Single-Door Disconnect Enclosures 106

Wall-Mount, Enviroline Single-Door Disconnect Enclosures Stainless Steel 292

Wall-Mount, Enviroline Single-Door Enclosures 90

Wall-Mount, Enviroline Single-Door Enclosures Stainless Steel 272

Wall-Mount, Enviroline Single-Door Enclosures w/ 3-Point Hardware 96

Wall-Mount, Enviroline Single-Door Enclosures w/ 3-Pt Hardware Stainless Steel 270

Wall-Mount, Enviroline Single-Door Sloping Top Disconnect Enclosures S.S. 294

Wall-Mount, Enviroline Single-Door Sloping Top Enclosures Stainless Steel 276

Wall-Mount, Enviroline Two-Door Enclosures 102

Wall-Mount, Enviroline Two-Door Enclosures Stainless Steel 288

Wall-Mount, Overlapping Two-Door Enclosures 104

Wall-Mount, Single-Door Disconnect Enclosures w/ SCE Hardware 108

Wall-Mount Standoff 432

Window Kits, Extrude Aluminum Frame w/ Laminated Safety Glass 455

Window Kits, Type 4 455

Wire Covers, Removable 410

Work Station 32

Work Station Accessories 38

Work Station, Desktop 34

Work Station, Desktop Stainless Steel 230

Work Station, Pedestal Mount 34

Work Station, Pedestal Mount Stainless Steel 230

Work Station, Slope Top 36

Work Station, Slope Top Stainless Steel 232

Work Station, Stainless Steel 228

## X

XD Heavy Duty Free-Standing Enclosures w/ External Disconnect Installed 172

XD Heavy Duty Free-Standing Enclosures w/ External Disconnect Installed, S.S. 322

## Y

## Z



# NUMERICAL INDEX

Part Number	Price Code	Ship Weight	Catalog Page	Part Number	Price Code	Ship Weight	Catalog Page
SCE-10085CHQRFQ	F1	5	344	SCE-101966	P2	0.5	464
SCE-10086CHNF	A1	10	86	SCE-101974	P2	0.5	464
SCE-10086CHNFSS	S1	11	268	SCE-102018	P2	1	464
SCE-10086CHNFSS6	S1	10.5	268	SCE-102022	P2	0.43	464
SCE-10086ELJ	E1	7	74	SCE-102023	P2	1	464
SCE-10086ELJLG	E1	7	76	SCE-102225	P2	0.13	464
SCE-10086ELJSS	S6	8	260	SCE-102237	P2	0.4	406
SCE-10086ELJSS6	S6	8	260	SCE-102297	P2	0.5	464
SCE-10086ELJSSST	S8	9	278	SCE-102298	P2	0.5	464
SCE-10086ELJW	E1	8	78	SCE-102300	P2	0.5	464
SCE-10086ELJWSS	S6	9	262	SCE-102302	P2	0.15	464
SCE-10086ELJWSS6	S6	8	262	SCE-102534	P2	0.02	463
SCE-10086FG	F1	5	342	SCE-102686	P2	0.03	464
SCE-10086FW	F1	5	346	SCE-102804	P2	0.18	404
SCE-10086PC	F1	3.5	332	SCE-103370	P2	3	407
SCE-10086PCW	F1	4.5	334	SCE-103758	P2	1.9	416
SCE-10086SC	A1	9.5	88	SCE-104941	P2	1.85	416
SCE-1008CHNF	A1	9	86	SCE-105419	P2	1	405
SCE-1008CHNFSS	S1	9	268	SCE-105604	P2	1.74	416
SCE-1008CHNFSS6	S1	9	268	SCE-107930	P2	0.16	463
SCE-1008CHSNF	A1	9	86	SCE-108401	P2	0.97	464
SCE-1008ELJ	E1	6	74	SCE-108619	P2	1	464
SCE-1008ELJLG	E1	6	76	SCE-10N1004LP	N1	8.5	120
SCE-1008ELJSS	S6	6	260	SCE-10N1006LP	N1	9	120
SCE-1008ELJSS6	S6	7	260	SCE-10N10MP	N1	1.4	447
SCE-1008ELJSSST	S8	7	278	SCE-10N10MPP	N1	1	448
SCE-1008ELJW	E1	6	78	SCE-10N804LP	N1	7	120
SCE-1008ELJWSS	S6	7	262	SCE-10N806LP	N1	8	120
SCE-1008ELJWSS6	S6	7	262	SCE-10N8MP	N1	2	447
SCE-1008FG	F1	5	342	SCE-10N8MPP	N1	1	448
SCE-1008FW	F1	5	346	SCE-10P10	P3	2	440
SCE-1008PC	F1	4.31	332	SCE-10P10GALV	P3	2	444
SCE-1008PCW	F1	4.31	334	SCE-10P10SS	P3	2	442
SCE-1008SC	A1	9	88	SCE-10P6	P3	0.93	440
SCE-100AFSD	P2	17	457	SCE-10P8	P3	1.4	440
SCE-10106CHNF	A1	12	86	SCE-10P8AL	F2	1.5	446
SCE-10106ELJ	E1	8.6	74	SCE-10P8GALV	P3	1	444
SCE-10106ELJLG	E1	8.6	76	SCE-10P8SS	P3	2	442
SCE-10106SC	A1	11	88	SCE-10PBA	A1	11	70
SCE-1010PC	F1	4	332	SCE-10PBAI	A1	11	72
SCE-1010PCW	F1	5	334	SCE-10PBX	A1	11	60
SCE-1010SC	A1	10	88	SCE-10PBXI	A1	11	62
SCE-101221	P2	0.4	463	SCE-10R104	N3	8	118
SCE-101226	P2	0.05	463	SCE-10R106	N3	10	118
SCE-101670	P2	0.5	463	SCE-10R84	N3	6	118
SCE-101695	P2	0.18	463	SCE-10R86	N3	8	118
SCE-101697	P2	0.18	463	SCE-110047	P2	0.18	463



# NUMERICAL INDEX

Part Number	Price Code	Ship Weight	Catalog Page	Part Number	Price Code	Ship Weight	Catalog Page
SCE-110551	P2	1	401	SCE-1212CHNF	A1	15	86
SCE-111252	P2	1	401	SCE-1212CHNFSS	S1	15	268
SCE-112399	P2	1	401	SCE-1212CHNFSS6	S1	16	268
SCE-112984	P2	1	405	SCE-1212CHQRFG	F1	7	344
SCE-113188	P2	1	464	SCE-1212ELJ	E1	11	74
SCE-113282	P2	3.1	464	SCE-1212ELJLG	E1	11	76
SCE-113347	P2	1.8	464	SCE-1212ELJSS	S6	11	260
SCE-113947	P2	0.1	464	SCE-1212ELJSS6	S6	11	260
SCE-114318	P2	0.07	464	SCE-1212ELJSSST	S8	13	278
SCE-115117	P2	0	407	SCE-1212FG	F1	8	342
SCE-115259	P2	2	451	SCE-1212FW	F1	7	346
SCE-116398	P2	0.5	465	SCE-1212SC	A1	15	88
SCE-117614	P2	0	464	SCE-121454	P2	1	464
SCE-11KJ1004SSST	S8	13	282	SCE-122191	P2	0.6	464
SCE-12064CHNF	A1	8	86	SCE-123581	P2	0.4	464
SCE-120706	P2	0.4	464	SCE-127617	P2	0.4	461
SCE-121010SC	A1	17	88	SCE-128380	P2	0	461
SCE-12105CHQRFG	F1	6	344	SCE-128422	P2	0	464
SCE-12106CHNF	A1	14	86	SCE-128577	P2	0.5	404
SCE-12106CHNFSS	S1	14	268	SCE-128600	P2	0	407
SCE-12106CHNFSS6	S1	14	268	SCE-12C12ELJ	A1	13.79	20
SCE-12108CHNF	A1	15	86	SCE-12C12ELJSS	S1	14.25	222
SCE-12108CHNFSS	S1	16	268	SCE-12C16ELJ	A1	17.02	20
SCE-12108CHNFSS6	S1	16	268	SCE-12C16ELJSS	S1	15	222
SCE-12108ELJ	E1	11	74	SCE-12C20ELJ	A1	20.86	20
SCE-12108ELJLG	E1	11	76	SCE-12C20ELJSS	S1	18.45	222
SCE-12108ELJSS	S6	11	260	SCE-12C24ELJ	A1	24.06	20
SCE-12108ELJSS6	S6	12	260	SCE-12C24ELJSS	S1	22	222
SCE-12108ELJSSST	S8	13	278	SCE-12DLP12	P3	3	440
SCE-12108ELJW	E1	11	78	SCE-12DLP12GALV	P3	4	444
SCE-12108ELJWSS	S6	11	262	SCE-12EL1206LP	E3	16	90
SCE-12108ELJWSS6	S6	12	262	SCE-12EL1206LPLG	E3	16	92
SCE-1210CHNF	A1	13	86	SCE-12EL1206SS6LP	S7	17	274
SCE-1210CHSNF	A1	13	86	SCE-12EL1206SSLP	S5	16	272
SCE-1210ELJ	E1	10	74	SCE-12EL2406LP	E3	26	90
SCE-1210ELJLG	E1	10	76	SCE-12EL2406LPLG	E3	26	92
SCE-1210ELJSS	S6	10	260	SCE-12EL2406SS6LP	S5	24	274
SCE-1210ELJSS6	S6	10	260	SCE-12EL2406SSLP	S5	27	272
SCE-1210ELJSSST	S8	11	278	SCE-12EL2408LP	E3	30.77	90
SCE-1210ELJW	E1	10	78	SCE-12EL2408LPLG	E3	30.77	92
SCE-1210ELJWSS	S6	10	262	SCE-12H2406LP	A3	28	98
SCE-1210ELJWSS6	S6	10	262	SCE-12H2408LP	A3	28	98
SCE-1210FG	F1	6	342	SCE-12HMI1606LP	C2	22.3	46
SCE-1210FW	F1	7	346	SCE-12HMI1606SSLP	C2	22.5	242
SCE-1210PC	F1	6.19	332	SCE-12HMI1610LP	C2	22.17	46
SCE-1210PCW	F1	6.19	334	SCE-12HMI1610SSLP	C2	27.4	242
SCE-1210SC	A1	12	88	SCE-12N1004LP	N1	5	120

Part Number	Price Code	Ship Weight	Catalog Page	Part Number	Price Code	Ship Weight	Catalog Page
SCE-12N1006LP	N1	10	120	SCE-1407FG	F1	5	342
SCE-12N10MP	N1	3	447	SCE-1407FW	F1	5	346
SCE-12N10MPP	N1	1	448	SCE-14086CHNF	A1	13	86
SCE-12N1204LP	N1	10	120	SCE-14087CHQRF	F1	6	344
SCE-12N1206LP	N1	9	120	SCE-14127CHQRF	F1	10	344
SCE-12N1208LP	N1	12	120	SCE-14128CHNF	A1	19	86
SCE-12N12MP	N1	4	447	SCE-14128ELJ	E1	14	74
SCE-12N12MPP	N1	2	448	SCE-14128ELJLG	E1	14	76
SCE-12P10	P3	2	440	SCE-14128ELJSS	S6	15	260
SCE-12P10AL	F2	1.5	446	SCE-14128ELJSS6	S6	15	260
SCE-12P10GALV	P3	3	444	SCE-14128ELJSSST	S8	16	278
SCE-12P10SS	P3	2	442	SCE-1412CHNF	A1	17	86
SCE-12P12	P3	3	440	SCE-1412CHNFSS	S1	17	268
SCE-12P12AL	F2	2	446	SCE-1412CHNFSS6	S1	17	268
SCE-12P12C	P3	2.2	446	SCE-1412CHSNF	A1	17	86
SCE-12P12GALV	P3	4	444	SCE-1412ELJ	E1	13	74
SCE-12P12SS	P3	3	442	SCE-1412ELJLG	E1	13	76
SCE-12P16C	P3	3.1	446	SCE-1412ELJSS	S6	13	260
SCE-12P20C	P3	3.9	446	SCE-1412ELJSS6	S6	13	260
SCE-12P24	P3	8	440	SCE-1412FG	F1	9	342
SCE-12P24C	P3	4.7	446	SCE-1412FW	F1	9	346
SCE-12P24GALV	P3	8	444	SCE-1412PC	F1	7.99	332
SCE-12P6	P3	1	440	SCE-1412PCW	F1	7.99	334
SCE-12P6GALV	P3	2	444	SCE-1412SC	A1	16	88
SCE-12PB	A1	8	56	SCE-1436B	C1	323	24
SCE-12PBA	A1	13	70	SCE-1436P1	P2	37	24
SCE-12PBAI	A1	13	72	SCE-1436P2	P3	24	24
SCE-12PBGX	A1	7.5	64	SCE-1436P3	P3	45	24
SCE-12PBH	A1	16.16	66	SCE-1436T	C1	97	24
SCE-12PBHI	A1	16.53	68	SCE-1436W	P2	13	24
SCE-12PBI	A1	9	58	SCE-1448BD	C1	405	26
SCE-12PBSS	S1	8	252	SCE-1448P2	P3	38	26
SCE-12PBSS6	S1	9	252	SCE-1448P3	P3	64	26
SCE-12PBSS6I	S1	9	254	SCE-1448T	C1	126	26
SCE-12PBSSI	S1	8	254	SCE-1448W	P2	14	26
SCE-12PBX	A1	11	60	SCE-1460BD	C1	462	26
SCE-12PBXI	A1	11	62	SCE-1460P2	P3	44	26
SCE-12R104	N3	9	118	SCE-1460P3	P3	80	26
SCE-12R106	N3	10	118	SCE-1460T	C1	150	26
SCE-12R1206LP	N3	15	116	SCE-1460W	C2	21	26
SCE-12R1208LP	N3	16	116	SCE-1472BD	C1	581	26
SCE-12R124	N3	9	118	SCE-1472P3	P3	97	26
SCE-12R126	N3	12	118	SCE-1472T	C1	182	26
SCE-12SPBA	A1	12	70	SCE-1472W	P2	23	26
SCE-12SPBAI	A1	12	72	SCE-14B	C1	255	24
SCE-13ELJEXPP	P2	11.56	454	SCE-14HMI1806LP	C2	27	46
SCE-13KJ1206SSST	S8	19	282	SCE-14HMI1806SSLP	C2	27.13	242

Part Number	Price Code	Ship Weight	Catalog Page	Part Number	Price Code	Ship Weight	Catalog Page
SCE-14HMI1810LP	C2	32.5	46	SCE-1614ELJWSS6	S6	16	262
SCE-14HMI1810SSLP	C2	32.7	242	SCE-1614FG	F1	12	342
SCE-14N1204LP	N1	11	120	SCE-1614FW	F1	12	346
SCE-14N1206LP	N1	10	120	SCE-1614PC	F1	10	332
SCE-14N1208LP	N1	14	120	SCE-1614PCW	F1	10	334
SCE-14N12MP	N1	3	447	SCE-1614SC	A1	17	88
SCE-14N12MPP	N1	2	448	SCE-16C16ELJ	A1	22.67	20
SCE-14P1	P2	31	24	SCE-16C16ELJSS	S1	23.94	222
SCE-14P12	P3	3	440	SCE-16C20ELJ	A1	25.14	20
SCE-14P12AL	F2	1.5	446	SCE-16C20ELJSS	S1	28.04	222
SCE-14P12GALV	P3	5	444	SCE-16C24ELJ	A1	30.39	20
SCE-14P12SS	P3	3	442	SCE-16C24ELJSS	S1	32	222
SCE-14P2	P3	15	24	SCE-16C30ELJ	A1	53.48	20
SCE-14P3	P3	27	24	SCE-16DLP14	P3	4	440
SCE-14P6	P3	1.35	440	SCE-16DLP14GALV	P3	5	444
SCE-14P8	P3	2	440	SCE-16EL1206LP	E3	20	90
SCE-14P8AL	F2	1.5	446	SCE-16EL1206LPLG	E3	20	92
SCE-14P8GALV	P3	4	444	SCE-16EL1206SS6LP	S5	17	274
SCE-14R	P2	8	24	SCE-16EL1206SSLP	S5	17	272
SCE-14RMW	P2	16	149	SCE-16EL1208LP	E3	21	90
SCE-14T	C1	72	24	SCE-16EL1208LPLG	E3	21	92
SCE-14W	P2	9	24	SCE-16EL1208SS6LP	S5	26	274
SCE-15KJ1408SSST	S8	25	282	SCE-16EL1208SSLP	S5	26	272
SCE-16106CHNF	A1	17	86	SCE-16EL1208SSST	S8	18	276
SCE-161410CHNF	A1	26	86	SCE-16EL1408LP	E3	25	90
SCE-16147CHQRFQ	F1	11	344	SCE-16EL1408LPLG	E3	25	92
SCE-16148CHNF	A1	23	86	SCE-16EL1606LP	E3	24	90
SCE-16148CHNFSS	S1	30.79	268	SCE-16EL1606LPLG	E3	24	92
SCE-16148CHNFSS6	S1	24	268	SCE-16EL1606SS6LP	S5	21	274
SCE-16148ELJ	E1	18	74	SCE-16EL1606SSLP	S5	21	272
SCE-16148ELJLG	E1	18	76	SCE-16EL1608LP	E3	27	90
SCE-16148ELJSS	S6	18	260	SCE-16EL1608LPLG	E3	27	92
SCE-16148ELJSS6	S6	18	260	SCE-16EL1608SS6LP	S5	28	274
SCE-16148ELJSSST	S8	18	278	SCE-16EL1608SSLP	S5	28	272
SCE-16148ELJW	E1	18	78	SCE-16EL1608SSST	S8	22	276
SCE-16148ELJWSS	S6	18	262	SCE-16EL2006LP	E3	28	90
SCE-16148ELJWSS6	S6	18	262	SCE-16EL2006LPLG	E3	28	92
SCE-1614CHNF	A1	20	86	SCE-16EL2008LP	E3	31	90
SCE-1614CHNFSS	S1	21	268	SCE-16EL2008LPLG	E3	31	92
SCE-1614CHNFSS6	S1	20	268	SCE-16EL2008SS6LP	S5	29	274
SCE-1614CHSNF	A1	20	86	SCE-16EL2008SSLP	S5	30	272
SCE-1614ELJ	E1	16	74	SCE-16H1009QFGLP	F1	10	348
SCE-1614ELJLG	E1	16	76	SCE-16H1206LP	A3	21	98
SCE-1614ELJSS	S6	16	260	SCE-16H1206SS6LP	S3	23	286
SCE-1614ELJSS6	S6	16	260	SCE-16H1206SSLP	S3	23	284
SCE-1614ELJW	E1	16	78	SCE-16H1208LP	A3	22	98
SCE-1614ELJWSS	S6	16	262	SCE-16H1208SS6LP	S3	24	286

Part Number	Price Code	Ship Weight	Catalog Page	Part Number	Price Code	Ship Weight	Catalog Page
SCE-16H1208SSLP	S3	24	284	SCE-16PBHSS6	S1	10.08	256
SCE-16H1210LP	A3	26	98	SCE-16PBHSS6I	S1	10.08	258
SCE-16H1606LP	A3	27	98	SCE-16PBHSSI	S1	12.45	258
SCE-16H1606SS6LP	S3	26	286	SCE-16R1206LP	N3	16	116
SCE-16H1606SSLP	S3	26	284	SCE-16R1208LP	N3	19	116
SCE-16H1608LP	A3	27	98	SCE-18164PC	F1	5	332
SCE-16H2006LP	A3	30	98	SCE-18164PCW	F1	6.5	334
SCE-16H2006SS6LP	S3	30	286	SCE-18169CHQRFG	F1	19	344
SCE-16H2006SSLP	S3	30	284	SCE-1816FG	F1	20	342
SCE-16H2008LP	A3	33	98	SCE-1816FW	F1	20	346
SCE-16HMI2006LP	C2	30.5	46	SCE-1816PC	F1	11.25	332
SCE-16HMI2006SSLP	C2	30.7	242	SCE-1816PCW	F1	11.25	334
SCE-16HMI2010LP	C2	38.2	46	SCE-18N1606NK-B	N1	22	122
SCE-16HMI2010SSLP	C2	38.4	242	SCE-18N1606NK-T	N1	22	122
SCE-16K1208SSST	S8	18	280	SCE-18P16AL	F2	2.5	446
SCE-16K1608SSST	S8	22	280	SCE-18P16PC	P3	6	440
SCE-16N1206LP	N1	11	120	SCE-18SBASE	P2	21	20
SCE-16N1208LP	N1	17	120	SCE-18SBASESS	P2	16	222
SCE-16N12MP	N1	3	447	SCE-19-1U	P2	0.72	150
SCE-16N12MPP	N1	2	448	SCE-19-2U	P2	1.44	150
SCE-16N1606LP	N1	16	120	SCE-19-3U	P2	2.16	150
SCE-16N1608LP	N1	20	120	SCE-19ELJEXPP	P2	13.2	454
SCE-16N16MP	N1	4	447	SCE-1PB	A1	2	56
SCE-16N16MPP	N1	2	448	SCE-1PBA	A1	3	70
SCE-16N2006LP	N1	21	120	SCE-1PBAI	A1	3	72
SCE-16P10	P3	3	440	SCE-1PBFG	F1	2	340
SCE-16P10AL	F2	2	446	SCE-1PBGX	A1	2	64
SCE-16P10GALV	P3	5	444	SCE-1PBI	A1	2	58
SCE-16P12	P3	4	440	SCE-1PBPC	F1	2.5	338
SCE-16P12GALV	P3	6	444	SCE-1PBPCI	F1	2.5	338
SCE-16P12SS	P3	4	442	SCE-1PB-RAL1018	A1	2	56
SCE-16P14	P3	4	440	SCE-1PBSS	S1	2	252
SCE-16P14AL	F2	2	446	SCE-1PBSS6	S1	2.14	252
SCE-16P14GALV	P3	6	444	SCE-1PBSS6I	S1	1.78	254
SCE-16P14SS	P3	4	442	SCE-1PBSSI	S1	2	254
SCE-16P16	P3	6	440	SCE-1PBX	A1	3	60
SCE-16P16GALV	P3	6	444	SCE-1PBXI	A1	3	62
SCE-16P16SS	P3	5	442	SCE-1PBX-RAL1018	A1	3	60
SCE-16P20C	P3	5.3	446	SCE-1PBXSS	S1	3	252
SCE-16P24C	P3	6.4	446	SCE-1PBXSS6	S1	3.55	252
SCE-16P30C	P3	8.1	446	SCE-1PBXSS6I	S1	2.79	254
SCE-16PB12	P3	4.6	440	SCE-1PBXSSI	S1	3	254
SCE-16PBA	A1	13	70	SCE-201610ELJ	E1	25.91	74
SCE-16PBAI	A1	13	72	SCE-201610ELJLG	E1	25.91	76
SCE-16PBH	A1	18.88	66	SCE-20166ELJ	E1	22	74
SCE-16PBHI	A1	19.12	68	SCE-20166ELJLG	E1	22	76
SCE-16PBHSS	S1	12	256	SCE-20168ELJ	E1	23	74

Part Number	Price Code	Ship Weight	Catalog Page	Part Number	Price Code	Ship Weight	Catalog Page
SCE-20168ELJLG	E1	23	76	SCE-20EL2010LP	E3	41.71	90
SCE-2016CHQRFG	F1	21	344	SCE-20EL2010LPLG	E3	41.71	92
SCE-2016FG	F1	21	342	SCE-20EL2010SS6LP	S5	40	274
SCE-2016FW	F1	21	346	SCE-20EL2010SSLP	S5	40	272
SCE-2016PC	F1	6	332	SCE-20EL2012LP	E3	43	90
SCE-202010ELJ	E1	30	74	SCE-20EL2012LPLG	E3	43	92
SCE-202010ELJLG	E1	30	76	SCE-20EL2012SSLP	S5	44.93	272
SCE-202011CHQRFG	F1	24	344	SCE-20EL2012SSST	S8	47	276
SCE-20206ELJ	E1	24	74	SCE-20EL2408LP	E3	42	90
SCE-20206ELJLG	E1	24	76	SCE-20EL2408LPLG	E3	42	92
SCE-20208ELJ	E1	27	74	SCE-20EL2408SS6LP	S5	46	274
SCE-20208ELJLG	E1	27	76	SCE-20EL2408SSLP	S5	43	272
SCE-20208ELJW	E1	27	78	SCE-20H1206LP	A3	24	98
SCE-20C20ELJ	A1	33.71	20	SCE-20H1208LP	A3	26	98
SCE-20C20ELJSS	S1	25.36	222	SCE-20H1606LP	A3	30	98
SCE-20C24ELJ	A1	42.03	20	SCE-20H1606SS6LP	S3	30	286
SCE-20C24ELJSS	S1	31	222	SCE-20H1606SSLP	S3	30	284
SCE-20C30ELJ	A1	60.35	20	SCE-20H1608LP	A3	31	98
SCE-20C30ELJSS	S1	125	222	SCE-20H1608QFGLP	F1	18	348
SCE-20EL1206LP	E3	23	90	SCE-20H1608SS6LP	S3	34	286
SCE-20EL1206LPLG	E3	23	92	SCE-20H1608SSLP	S3	33	284
SCE-20EL1606LP	E3	28	90	SCE-20H1610LP	A3	34	98
SCE-20EL1606LPLG	E3	28	92	SCE-20H1610QFGLP	F1	19	348
SCE-20EL1606SS6LP	S5	28	274	SCE-20H1610SS6LP	S3	36	286
SCE-20EL1606SSLP	S5	28	272	SCE-20H1610SSLP	S3	35	284
SCE-20EL1606SSST	S8	50	276	SCE-20H1612LP	A3	37	98
SCE-20EL1608LP	E3	30	90	SCE-20H1612QFGLP	F1	22	348
SCE-20EL1608LPLG	E3	30	92	SCE-20H2006LP	A3	34	98
SCE-20EL1608SS6LP	S5	32	274	SCE-20H2006SS6LP	S3	36	286
SCE-20EL1608SSLP	S5	30	272	SCE-20H2006SSLP	S3	35	284
SCE-20EL1608SSST	S8	30	276	SCE-20H2008LP	A3	33	98
SCE-20EL1610LP	E3	41	90	SCE-20H2010LP	A3	41	98
SCE-20EL1610LPLG	E3	41	92	SCE-20H2406LP	A3	40	98
SCE-20EL1610SS6LP	S5	36	274	SCE-20H2408LP	A3	44	98
SCE-20EL1610SSLP	S5	34	272	SCE-20H2408SS6LP	S3	44	286
SCE-20EL1612LP	E3	38	90	SCE-20H2408SSLP	S3	45	284
SCE-20EL1612LPLG	E3	38	92	SCE-20H3006LP	A3	48	98
SCE-20EL1612SSST	S8	39	276	SCE-20HMI2406LP	C2	42.8	46
SCE-20EL2006LP	E3	33	90	SCE-20HMI2406SSLP	C2	43.14	242
SCE-20EL2006LPLG	E3	33	92	SCE-20HMI2410LP	C2	50.4	46
SCE-20EL2006SS6LP	S5	33	274	SCE-20HMI2410SSLP	C2	50.84	242
SCE-20EL2006SSLP	S5	34	272	SCE-20K1608SSST	S8	30	280
SCE-20EL2008LP	E3	36	90	SCE-20K2008SSST	S8	38	280
SCE-20EL2008LPLG	E3	36	92	SCE-20K2010SSST	S8	42	280
SCE-20EL2008SS6LP	S5	38	274	SCE-20N1606LP	N1	21	120
SCE-20EL2008SSLP	S5	37	272	SCE-20N1608LP	N1	24	120
SCE-20EL2008SSST	S8	38	276	SCE-20N16MP	N1	6	447

Part Number	Price Code	Ship Weight	Catalog Page	Part Number	Price Code	Ship Weight	Catalog Page
SCE-20N16MPP	N1	3	448	SCE-243012CHQRF	F1	50	344
SCE-20N2006LP	N1	25	120	SCE-244208WFLP	A4	80	104
SCE-20N2008LP	N1	28	120	SCE-244212WFLP	A4	113.13	104
SCE-20N2010LP	N1	31	120	SCE-244808WFLP	A4	94	104
SCE-20N20MP	N1	7	447	SCE-244812WFLP	A4	131.47	104
SCE-20N20MPP	N1	4	448	SCE-24EL1206LP	E3	28	90
SCE-20P12	P3	5	440	SCE-24EL1206LPLG	E3	28	92
SCE-20P12GALV	P3	6	444	SCE-24EL1606LP	E3	33	90
SCE-20P16	P3	8	440	SCE-24EL1606LPLG	E3	33	92
SCE-20P16AL	F2	3	446	SCE-24EL1608LP	E3	36	90
SCE-20P16GALV	P3	7	444	SCE-24EL1608LPLG	E3	36	92
SCE-20P16J	P3	5	74	SCE-24EL1608SS6LP	S5	38	274
SCE-20P16JGALV	P3	8.25	440	SCE-24EL1608SSLP	S5	36	272
SCE-20P16SS	P3	7	442	SCE-24EL2006LP	E3	38	90
SCE-20P18HMI	P3	6.87	440	SCE-24EL2006LPLG	E3	38	92
SCE-20P18HMIGALV	P3	8.27	444	SCE-24EL2006SS6LP	S5	42	274
SCE-20P20	P3	10	440	SCE-24EL2006SSLP	S5	40	272
SCE-20P20C	P3	6.75	446	SCE-24EL2008LP	E3	42	90
SCE-20P20GALV	P3	10	444	SCE-24EL2008LPLG	E3	42	92
SCE-20P20J	P3	8	440	SCE-24EL2008SS6LP	S5	44	274
SCE-20P20JGALV	P3	7.83	444	SCE-24EL2008SSLP	S5	43	272
SCE-20P20SS	P3	10	442	SCE-24EL2008SSST	S8	40	276
SCE-20P20SS6	P3	10	442	SCE-24EL2010LP	E3	46	90
SCE-20P24C	P3	8.1	446	SCE-24EL2010LPLG	E3	46	92
SCE-20P30C	P3	10.3	446	SCE-24EL2010LPPL	E3	50	96
SCE-20PFG20AL	F2	3.5	344	SCE-24EL2010SS6LP	S5	48	274
SCE-20PJ16AL	F2	3.8	446	SCE-24EL2010SS6LPPL	S9	61.25	270
SCE-20POS	C2	17	39	SCE-24EL2010SSLP	S5	48	272
SCE-20R1606LP	N3	25	116	SCE-24EL2010SSLPPL	S9	48	270
SCE-20R1608LP	N3	28	116	SCE-24EL2012LP	E3	50	90
SCE-20RMW	P2	18	149	SCE-24EL2012LPLG	E3	50	92
SCE-20STS	C2	13	39	SCE-24EL2012SS6LP	S5	52	274
SCE-20VESTS	C2	13	39	SCE-24EL2012SSLP	S5	53	272
SCE-20XEL2108LP	E3	40	106	SCE-24EL2012SSST	S8	56	276
SCE-20XEL2108LPLG	E3	40	108	SCE-24EL2016LP	E3	63	90
SCE-20XEL2108SS6LP	S5	41	292	SCE-24EL2016LPLG	E3	63	92
SCE-20XEL2108SSLP	S5	41	290	SCE-24EL2406LP	E3	45	90
SCE-20XEL2110LP	E3	43	106	SCE-24EL2406LPLG	E3	45	92
SCE-20XEL2110LPLG	E3	43	108	SCE-24EL2408LP	E3	48	90
SCE-2233X	P2	0.21	463	SCE-24EL2408LPLG	E3	48	92
SCE-22POS	C2	18	39	SCE-24EL2408SS6LP	S5	51	274
SCE-22STS	C2	16	39	SCE-24EL2408SSLP	S5	49	272
SCE-22VEPOS	C2	18	39	SCE-24EL2408SSST	S8	50	276
SCE-22VESTS	C2	16	39	SCE-24EL2410LP	E3	60	90
SCE-242011CHQRF	F1	28	344	SCE-24EL2410LPLG	E3	60	92
SCE-242411CHQRF	F1	32	344	SCE-24EL2410LPPL	E3	60	96
SCE-2424PC	F1	23	332	SCE-24EL2410SS6LP	S5	55	274
SCE-2424PCW	F1	23	334	SCE-24EL2410SS6LPPL	S9	56	270

Part Number	Price Code	Ship Weight	Catalog Page	Part Number	Price Code	Ship Weight	Catalog Page
SCE-24EL2410SSLP	S5	54	272	SCE-24H2408LP	A3	50	98
SCE-24EL2410SSLPPL	S9	54	270	SCE-24H2408SS6LP	S3	51	286
SCE-24EL2412LP	E3	56	90	SCE-24H2408SSLP	S3	50	284
SCE-24EL2412LPLG	E3	56	92	SCE-24H2410LP	A3	55	98
SCE-24EL2412LPPL	E3	58	96	SCE-24H2412LP	A3	56	98
SCE-24EL2412SS6LP	S5	58	274	SCE-24H2412SS6LP	S3	60	286
SCE-24EL2412SSLP	S5	58	272	SCE-24H2412SSLP	S3	58	284
SCE-24EL2412SSST	S8	66	276	SCE-24H2416LP	A3	72	98
SCE-24EL2416LP	E3	71	90	SCE-24H3008LP	A3	48	98
SCE-24EL2416LPLG	E3	71	92	SCE-24H3008SS6LP	S3	61	286
SCE-24EL2416SS6LP	S5	72	274	SCE-24H3008SSLP	S3	61	284
SCE-24EL2416SSLP	S5	72	272	SCE-24HS2108LP	A3	45	110
SCE-24EL2416SSST	S8	85	276	SCE-24HS2108SS6LP	S3	48	296
SCE-24EL3008LP	E3	53	90	SCE-24HS2108SSLP	S3	47	296
SCE-24EL3008LPLG	E3	53	92	SCE-24HS2508LP	A3	52	110
SCE-24EL3008SS6LP	S5	58	274	SCE-24HS2508SS6LP	S3	51	296
SCE-24EL3008SSLP	S5	58	272	SCE-24HS2508SSLP	S3	51	296
SCE-24EL3010LP	E3	63	90	SCE-24K2008SSST	S8	40	280
SCE-24EL3010LPLG	E3	63	92	SCE-24K2010SSST	S8	47	280
SCE-24EL3010SS6LP	S5	64	274	SCE-24K2012SSST	S8	56	280
SCE-24EL3010SSLP	S5	64	272	SCE-24K2408SSST	S8	50	280
SCE-24EL3012LP	E3	78.31	90	SCE-24K2410SSST	S8	57	280
SCE-24EL3012LPLG	E3	78.31	92	SCE-24K2412SSST	S8	66	280
SCE-24EL4210SSWFLP	S5	91	288	SCE-24KB	P2	32	411
SCE-24EL4210WFLP	A4	91	102	SCE-24N1606LP	N1	27	120
SCE-24EL4810SSWFLP	S5	99	288	SCE-24N16MP	N1	7	447
SCE-24EL4810WFLP	A4	99	102	SCE-24N16MPP	N1	5	448
SCE-24H1206LP	A3	28	98	SCE-24N2006LP	N1	31.54	120
SCE-24H1208LP	A3	32	98	SCE-24N2006NK-B	N1	35	122
SCE-24H1210LP	A3	39	98	SCE-24N2006NK-T	N1	35	122
SCE-24H1606LP	A3	32	98	SCE-24N2008LP	N1	33	120
SCE-24H1608LP	A3	36	98	SCE-24N2010LP	N1	35	120
SCE-24H1608SS6LP	S3	37	286	SCE-24N20MP	N1	9	447
SCE-24H1608SSLP	S3	39	284	SCE-24N20MPP	N1	4.95	448
SCE-24H2006LP	A3	39	98	SCE-24N2406LP	N1	41	120
SCE-24H2006SS6LP	S3	41	286	SCE-24N2408LP	N1	46	120
SCE-24H2006SSLP	S3	40	284	SCE-24N2412LP	N1	53	120
SCE-24H2008LP	A3	43	98	SCE-24N24MP	N1	11	447
SCE-24H2008SS6LP	S3	45	286	SCE-24N24MPP	N1	8	448
SCE-24H2008SSLP	S3	44	284	SCE-24P12AL	F2	4	446
SCE-24H2010LP	A3	46	98	SCE-24P16	P3	11	440
SCE-24H2010QFGLP	F1	32	348	SCE-24P16GALV	P3	11	444
SCE-24H2010SS6LP	S3	49	286	SCE-24P16SS	P3	9	442
SCE-24H2010SSLP	S3	48	284	SCE-24P16SS6	P3	9	442
SCE-24H2012LP	A3	50	98	SCE-24P20	P3	14	440
SCE-24H2016LP	A3	60	98	SCE-24P20AL	F2	4	446
SCE-24H2406LP	A3	43	98	SCE-24P20GALV	P3	14	444
SCE-24H2406SSLP	S3	45	284	SCE-24P20SS	P3	13	442

Part Number	Price Code	Ship Weight	Catalog Page	Part Number	Price Code	Ship Weight	Catalog Page
SCE-24P20SS6	P3	12	442	SCE-2PB-RAL1018	A1	2	56
SCE-24P24	P3	17	440	SCE-2PBSS	S1	2	252
SCE-24P24GALV	P3	17	444	SCE-2PBSS6	S1	2.92	252
SCE-24P24PC	P3	17	440	SCE-2PBSS6I	S1	2.75	254
SCE-24P24PCAL	F2	7	446	SCE-2PBSSI	S1	2	254
SCE-24P24SS	P3	15	442	SCE-2PBX	A1	3	60
SCE-24P24SS6	P3	15	442	SCE-2PBXI	A1	4	62
SCE-24PEBASE	C2	21	43	SCE-2PBX-RAL1018	A1	3	60
SCE-24PEBASESS	C2	23	43	SCE-2PBXSS	S1	3.86	252
SCE-24PFG20AL	F2	4	344	SCE-2PBXSS6	S1	4.14	252
SCE-24PFG24AL	F2	4.5	344	SCE-302412CHQRFG	F1	50	344
SCE-24R2006LP	N3	35	116	SCE-304210WFLP	A4	113	104
SCE-24R2008LP	N3	32	116	SCE-304810WFLP	A4	117	104
SCE-24R2012LP	N3	44	116	SCE-304812WFLP	A4	185.67	104
SCE-24R2016LP	N3	42	116	SCE-306010WFLP	A4	143	104
SCE-24R2408LP	N3	58.33	116	SCE-306012WFLP	A4	205.2	104
SCE-24R2412LP	N3	56.81	116	SCE-30EL1606LP	E3	37	90
SCE-24R2416LP	N3	67.64	116	SCE-30EL1606LPLG	E3	37	92
SCE-24SBASE	P2	47	20	SCE-30EL1606SS6LP	S5	42	274
SCE-24SBASESS	P2	24.9	222	SCE-30EL1606SSLP	S5	41	272
SCE-24XEL2108LP	E3	47	106	SCE-30EL2008LP	E3	50	90
SCE-24XEL2108LPLG	E3	47	108	SCE-30EL2008LPLG	E3	50	92
SCE-24XEL2108SS6LP	S4	48	292	SCE-30EL2008SS6LP	S5	52	274
SCE-24XEL2108SSLP	S5	47	290	SCE-30EL2008SSLP	S5	52	272
SCE-24XEL2110LP	E3	50	106	SCE-30EL2010LP	E3	53	90
SCE-24XEL2508LP	E3	54	106	SCE-30EL2010LPLG	E3	53	92
SCE-24XEL2508LPLG	E3	54	108	SCE-30EL2010SS6LP	S5	57	274
SCE-24XEL2508SS6LP	S5	49	292	SCE-30EL2010SSLP	S5	56	272
SCE-24XEL2508SSLP	S5	57	290	SCE-30EL2406LP	E3	31	90
SCE-24XEL2510LP	E3	59	106	SCE-30EL2406LPLG	E3	31	92
SCE-24XEL2510LPLG	E3	59	108	SCE-30EL2408LP	E3	55	90
SCE-24XEL2510SS6LP	S5	60	292	SCE-30EL2408LPLG	E3	55	92
SCE-24XEL2510SSLP	S5	57	290	SCE-30EL2408SS6LP	S5	53	274
SCE-24XEL2510SSST	S8	55	294	SCE-30EL2408SSLP	S5	53	272
SCE-26POS	C2	18	39	SCE-30EL2408SSST	S8	90.15	276
SCE-26STS	C2	18	39	SCE-30EL2410LP	E3	68	90
SCE-26VESTS	C2	17	39	SCE-30EL2410LPLG	E3	68	92
SCE-29VR2412	N3	125	114	SCE-30EL2410LPPL	E3	75	96
SCE-29VR2416	N3	130	114	SCE-30EL2410SS6LP	S5	68	274
SCE-2PB	A1	2	56	SCE-30EL2410SSLP	S5	68	272
SCE-2PBA	A1	3	70	SCE-30EL2412LP	E3	63	90
SCE-2PBAI	A1	3	72	SCE-30EL2412LPLG	E3	63	92
SCE-2PBFG	F1	2	340	SCE-30EL2412LPPL	E3	80	96
SCE-2PBGX	A1	2	64	SCE-30EL2412SS6LP	S5	69	274
SCE-2PBI	A1	3	58	SCE-30EL2412SS6LPPL	S9	79.2	270
SCE-2PBPC	F1	2.75	338	SCE-30EL2412SSLP	S5	69	272
SCE-2PBPCI	F1	2.75	338	SCE-30EL2412SSLPPL	S9	69	270



Part Number	Price Code	Ship Weight	Catalog Page	Part Number	Price Code	Ship Weight	Catalog Page
SCE-30EL2412SSST	S8	71	276	SCE-30H2408SS6LP	S3	61	286
SCE-30EL2416LP	E3	80	90	SCE-30H2408SSLP	S3	60	284
SCE-30EL2416LPLG	E3	80	92	SCE-30H2409QFGLP	F1	46	348
SCE-30EL2416LPPL	E3	86.25	96	SCE-30H2410LP	A3	68	98
SCE-30EL2416SS6LP	S5	80	274	SCE-30H2412LP	A3	73	98
SCE-30EL2416SSLP	S5	80	272	SCE-30H2412QFGLP	F1	51	348
SCE-30EL2420LP	E3	91	90	SCE-30H2412SS6LP	S3	69	286
SCE-30EL2420LPLG	E3	91	92	SCE-30H2412SSLP	S3	69	284
SCE-30EL2424LP	E3	99	90	SCE-30H2414QFGLP	F1	55	348
SCE-30EL2424LPLG	E3	99	92	SCE-30H2416LP	A3	80	98
SCE-30EL3008LP	E3	63	90	SCE-30H2416SS6LP	S3	81	286
SCE-30EL3008LPLG	E3	63	92	SCE-30H2416SSLP	S3	81	284
SCE-30EL3008SS6LP	S5	67	274	SCE-30H2420LP	A3	91	98
SCE-30EL3008SSLP	S5	67	272	SCE-30H2424LP	A3	99	98
SCE-30EL3008SSST	S8	73	276	SCE-30H3008LP	A3	74	98
SCE-30EL3010LP	E3	82	90	SCE-30H3008SS6LP	S3	74	286
SCE-30EL3010LPLG	E3	82	92	SCE-30H3008SSLP	S3	74	284
SCE-30EL3010SS6LP	S5	81	274	SCE-30H3012LP	A3	89	98
SCE-30EL3010SSLP	S5	81	272	SCE-30H3608LP	A3	84	98
SCE-30EL3012LP	E3	82	90	SCE-30HS2508LP	A3	66	110
SCE-30EL3012LPLG	E3	82	92	SCE-30HS2508SS6LP	S3	61	296
SCE-30EL3012LPPL	E3	95	96	SCE-30HS2508SSLP	S3	61	296
SCE-30EL3012SS6LP	S5	89	274	SCE-30K2408SSST	S8	81	280
SCE-30EL3012SS6LPPL	S9	130	270	SCE-30K2412SSST	S8	100	280
SCE-30EL3012SSLP	S5	89	272	SCE-30K3012SSST	S8	112	280
SCE-30EL3012SSLPPL	S9	89	270	SCE-30N2406LP	N1	39	120
SCE-30EL3012SSST	S8	125	276	SCE-30N2408LP	N1	54	120
SCE-30EL3608LP	E3	84	90	SCE-30N2412LP	N1	61	120
SCE-30EL3608LPLG	E3	84	92	SCE-30N24MP	N1	13	447
SCE-30EL3608SS6LP	S5	84	274	SCE-30N24MPP	N1	11	448
SCE-30EL3608SSLP	S5	84	272	SCE-30N3008LP	N1	60	120
SCE-30EL3610LP	E3	115	90	SCE-30N30MP	N1	17	447
SCE-30EL4210SSWFLP	S5	120	288	SCE-30N30MPP	N1	14	448
SCE-30EL4210WFLP	A4	120	102	SCE-30P16	P3	14	440
SCE-30EL4810SSWFLP	S5	127	288	SCE-30P16GALV	P3	14	444
SCE-30EL4810WFLP	A4	127	102	SCE-30P20	P3	18	440
SCE-30EL6010SSWFLP	S5	187	288	SCE-30P20AL	F2	5	446
SCE-30EL6010WFLP	A4	187	102	SCE-30P20GALV	P3	18	444
SCE-30H1606LP	A3	41	98	SCE-30P20SS6	P3	16	442
SCE-30H2006LP	A3	48	98	SCE-30P24	P3	22	440
SCE-30H2008LP	A3	50	98	SCE-30P24AL	F2	6	446
SCE-30H2008SS6LP	S3	53	286	SCE-30P24GALV	P3	22	444
SCE-30H2008SSLP	S3	52	284	SCE-30P24SS	P3	19	442
SCE-30H2010LP	A3	55	98	SCE-30P24SS6	P3	19	442
SCE-30H2010QFGLP	F1	37	348	SCE-30P30	P3	28	440
SCE-30H2406LP	A3	56	98	SCE-30P30AL	F2	11	344
SCE-30H2408LP	A3	61	98	SCE-30P30GALV	P3	28	444

Part Number	Price Code	Ship Weight	Catalog Page	Part Number	Price Code	Ship Weight	Catalog Page
SCE-30P30SS	P3	24	442	SCE-36EL3008LPLG	E3	73	93
SCE-30P30SS6	P3	24	442	SCE-36EL3008SS6LP	S5	75	274
SCE-30R2408LP	N3	60	116	SCE-36EL3008SSLP	S5	75	272
SCE-30R2412LP	N3	64	116	SCE-36EL3008SSST	S8	77	276
SCE-30R2416LP	N3	58	116	SCE-36EL3010LP	E3	89	91
SCE-30XEL2108LP	E3	56.43	106	SCE-36EL3010LPLG	E3	89	93
SCE-30XEL2108LPLG	E3	56.43	108	SCE-36EL3010SS6LP	S5	89	274
SCE-30XEL2110LP	E3	105	106	SCE-36EL3010SSLP	S5	89	272
SCE-30XEL2508LP	E3	63	106	SCE-36EL3012LP	E3	87	91
SCE-30XEL2508LPLG	E3	63	108	SCE-36EL3012LPLG	E3	87	93
SCE-30XEL2508SS6LP	S5	54	292	SCE-36EL3012LPPL	E3	115	96
SCE-30XEL2508SSLP	S5	54	290	SCE-36EL3012SS6LP	S5	94	274
SCE-30XEL2510LP	E3	67	106	SCE-36EL3012SS6LPPL	S9	111	270
SCE-30XEL2510LPLG	E3	67	108	SCE-36EL3012SSLP	S5	94	272
SCE-30XEL2510SS6LP	S5	70	292	SCE-36EL3012SSLPPL	S9	94	270
SCE-30XEL2510SSLP	S5	70	290	SCE-36EL3012SSST	S8	99	276
SCE-30XEL2510SSST	S8	61	294	SCE-36EL3016LP	E3	114	91
SCE-30XEL2512LP	E3	76	106	SCE-36EL3016LPLG	E3	191	93
SCE-342424SSWS	S3	198	230	SCE-36EL3016SSLP	S5	141.33	272
SCE-342424WS	C2	193	34	SCE-36EL3016SSST	S8	110	276
SCE-35VR2412	N3	131	114	SCE-36EL3020LP	E3	123	91
SCE-364212WFLP	A4	135	104	SCE-36EL3020LPLG	E3	123	93
SCE-364216WFLP	A4	145	104	SCE-36EL3608LP	E3	102	91
SCE-364810WFLP	A4	137	104	SCE-36EL3608LPLG	E3	102	93
SCE-364812WFLP	A4	140	104	SCE-36EL3608SS6LP	S5	102	274
SCE-364816WFLP	A4	150	104	SCE-36EL3608SSLP	S5	102	272
SCE-366012WFLP	A4	191	104	SCE-36EL3610LP	E3	136	91
SCE-366016WFLP	A4	208	104	SCE-36EL3610LPLG	E3	136	93
SCE-36EL2408LP	E3	64	90	SCE-36EL3612LP	E3	111	91
SCE-36EL2408LPLG	E3	64	92	SCE-36EL3612LPLG	E3	111	93
SCE-36EL2408SS6LP	S5	66	274	SCE-36EL3612LPPL	E3	127.5	96
SCE-36EL2408SSLP	S5	66	272	SCE-36EL3612SS6LP	S5	111	274
SCE-36EL2408SSST	S8	71	276	SCE-36EL3612SSLP	S5	111	272
SCE-36EL2410LP	E3	74	91	SCE-36EL3612SSLPPL	S9	122.5	270
SCE-36EL2410LPLG	E3	74	93	SCE-36EL3612SSST	S8	129	276
SCE-36EL2410SS6LP	S5	74	274	SCE-36EL3616LP	E3	122	91
SCE-36EL2410SSLP	S5	74	272	SCE-36EL3616LPLG	E3	122	93
SCE-36EL2412LP	E3	77	91	SCE-36EL4212SSWFLP	S5	155	288
SCE-36EL2412LPLG	E3	77	93	SCE-36EL4216WFLP	A4	155	102
SCE-36EL2412LPPL	E3	100	96	SCE-36EL4812SSWFLP	S5	134	288
SCE-36EL2412SS6LPPL	S9	86.25	270	SCE-36EL4812WFLP	A4	134	102
SCE-36EL2412SSLPPL	S9	90	270	SCE-36EL6012SSWFLP	S5	153	288
SCE-36EL2412SSST	S8	78	276	SCE-36EL6012WFLP	A4	153	102
SCE-36EL2416LP	E3	82	91	SCE-36H1606LP	A3	48	98
SCE-36EL2416LPLG	E3	82	93	SCE-36H2406LP	A3	63	98
SCE-36EL3008LP	E3	73	91	SCE-36H2408LP	A3	65	99

Part Number	Price Code	Ship Weight	Catalog Page	Part Number	Price Code	Ship Weight	Catalog Page
SCE-36H2408SS6LP	S3	66	286	SCE-36N3006LP	N1	68	120
SCE-36H2408SSLP	S3	66	284	SCE-36N3008LP	N1	69	120
SCE-36H2410LP	A3	74	99	SCE-36N3012LP	N1	83	120
SCE-36H2410SS6LP	S3	72	286	SCE-36N30MP	N1	21	447
SCE-36H2410SSLP	S3	72	284	SCE-36N30MPP	N1	17	448
SCE-36H2412LP	A3	77	99	SCE-36P16	P3	17	440
SCE-36H2416LP	A3	80	99	SCE-36P16GALV	P3	14	444
SCE-36H3006LP	A3	110	99	SCE-36P16SS	P3	14	442
SCE-36H3008LP	A3	84	99	SCE-36P16SS6	P3	14	442
SCE-36H3008SS6LP	S3	87	286	SCE-36P24	P3	27	440
SCE-36H3008SSLP	S3	87	284	SCE-36P24AL	F2	10	344
SCE-36H3010LP	A3	89	99	SCE-36P24GALV	P3	27	444
SCE-36H3010QFGLP	F1	76	348	SCE-36P24SS	P3	23	442
SCE-36H3010SS6LP	S3	89	286	SCE-36P24SS6	P3	23	442
SCE-36H3010SSLP	S3	89	284	SCE-36P30	P3	34	440
SCE-36H3012LP	A3	94	99	SCE-36P30AL	F2	9	446
SCE-36H3012QFGLP	F1	79	348	SCE-36P30GALV	P3	27	444
SCE-36H3012SS6LP	S3	97	286	SCE-36P30SS	P3	27	442
SCE-36H3012SSLP	S3	97	284	SCE-36P30SS6	P3	27	442
SCE-36H3014QFGLP	F1	82	348	SCE-36P36	P3	35	440
SCE-36H3016LP	A3	106	99	SCE-36P36GALV	P3	35	444
SCE-36H3016SS6LP	S3	105	286	SCE-36P36SS	P3	35	442
SCE-36H3016SSLP	S3	105	284	SCE-36P36SS6	P3	35	442
SCE-36H3020LP	A3	103	99	SCE-36P52	P3	56	440
SCE-36H3608LP	A3	102	99	SCE-36P52GALV	P3	77.3	156
SCE-36H3612LP	A3	114	99	SCE-36R2408LP	N3	62	116
SCE-36H3612SS6LP	S3	113	286	SCE-36R2412LP	N3	73	116
SCE-36H3612SSLP	S3	113	284	SCE-36R2416LP	N3	77	116
SCE-36H3616LP	A3	126	99	SCE-36R3008LP	N3	70	116
SCE-36HS2508LP	A3	72	110	SCE-36R3012LP	N3	85	116
SCE-36HS2508SS6LP	S3	69	296	SCE-36R3016LP	N3	89	116
SCE-36HS2508SSLP	S3	69	296	SCE-36X2D5412	A2	187	156
SCE-36HS3108LP	A3	85	110	SCE-36XEL2508LP	E3	75	106
SCE-36HS3108SS6LP	S3	83	296	SCE-36XEL2508LPLG	E3	75	108
SCE-36HS3108SSLP	S3	83	296	SCE-36XEL2508SS6LP	S5	68	292
SCE-36HS3112LP	A3	94	110	SCE-36XEL2508SSLP	S5	68	290
SCE-36K2412SSST	S8	78	280	SCE-36XEL2510LP	E3	75	106
SCE-36K3012SSST	S8	99	280	SCE-36XEL2510LPLG	E3	75	108
SCE-36K3016SSST	S8	10	280	SCE-36XEL3108LP	E3	92	106
SCE-36N2406LP	N1	55	120	SCE-36XEL3108LPLG	E3	92	108
SCE-36N2406NK-B	N1	69	122	SCE-36XEL3110LP	E3	96	106
SCE-36N2406NK-T	N1	69	122	SCE-36XEL3110LPLG	E3	96	108
SCE-36N2408LP	N1	62	120	SCE-36XEL3110SS6LP	S5	96	292
SCE-36N2412LP	N1	73	120	SCE-36XEL3110SSLP	S5	96	290
SCE-36N24MP	N1	21	447	SCE-36XEL3110SSST	S8	77	294
SCE-36N24MPP	N1	13	448	SCE-36XEL3112LP	E3	105	106

Part Number	Price Code	Ship Weight	Catalog Page	Part Number	Price Code	Ship Weight	Catalog Page
SCE-36XEL3112LPLG	E3	105	108	SCE-426012WFALP	A4	213	104
SCE-36XEL3112SS6LP	S5	84	292	SCE-426016WFALP	A4	231	104
SCE-36XEL3112SSLP	S5	84	290	SCE-42EL2410LP	E3	79	91
SCE-36XEL3116LP	E3	113	106	SCE-42EL2410LPLG	E3	79	93
SCE-36XEL3116LPLG	E3	113	108	SCE-42EL2410SS6LP	S5	84	274
SCE-3916	P2	1	463	SCE-42EL2410SSLP	S5	84	272
SCE-3916SS	P2	0.65	463	SCE-42EL3008LP	E3	101	91
SCE-3918	P2	0.8	463	SCE-42EL3008LPLG	E3	101	93
SCE-3918SS	P2	0.62	463	SCE-42EL3010LP	E3	105	91
SCE-3PB	A1	3	56	SCE-42EL3010LPLG	E3	105	93
SCE-3PBA	A1	4	70	SCE-42EL3010SS6LP	S5	105	274
SCE-3PBAI	A1	4	72	SCE-42EL3010SSLP	S5	105	272
SCE-3PBF	F1	2	340	SCE-42EL3012LP	E3	111	91
SCE-3PBGX	A1	4	64	SCE-42EL3012LPLG	E3	111	93
SCE-3PBI	A1	3	58	SCE-42EL3012SSLP	S5	111	272
SCE-3PB-RAL1018	A1	3	56	SCE-42EL3016LP	E3	117	91
SCE-3PBSS	S1	3	252	SCE-42EL3016LPLG	E3	117	93
SCE-3PBSS6	S1	3.63	252	SCE-42EL3608LP	E3	117	91
SCE-3PBSS6I	S1	2.8	254	SCE-42EL3608LPLG	E3	117	93
SCE-3PBSSI	S1	3	254	SCE-42EL3610LP	E3	127	91
SCE-3PBX	A1	3	60	SCE-42EL3610LPLG	E3	127	93
SCE-3PBXI	A1	4	62	SCE-42EL3612LP	E3	123	91
SCE-3PBX-RAL1018	A1	3	60	SCE-42EL3612LPLG	E3	123	93
SCE-3PBXSS	S1	4.85	252	SCE-42EL3612LPPL	E3	150	96
SCE-3PTL	P2	5	406	SCE-42EL3612SS6LP	S5	124	274
SCE-3PTSMC	P2	0.19	406	SCE-42EL3612SS6LPPL	S9	155	270
SCE-400AFSD	P2	25	457	SCE-42EL3612SSLP	S5	124	272
SCE-402516SDC	C1	147	28	SCE-42EL3612SSLPPL	S9	124	270
SCE-402516SDCSS	S10	88.8	224	SCE-42EL3616LP	E3	149	91
SCE-402516SDCSS6	S10	88.88	224	SCE-42EL3616LPLG	E3	149	93
SCE-403716SDC	C1	167	28	SCE-42EL3616SS6LP	S5	149	274
SCE-403716SDCSS	S10	118.15	224	SCE-42EL3616SSLP	S5	149	272
SCE-403716SDCSS6	S10	118.15	224	SCE-42EL4212SSWFLP	S5	147	288
SCE-4044CHNF	A1	3	86	SCE-42EL4212WFLP	A4	147	102
SCE-4044SC	A1	3	88	SCE-42EL4812SSWFLP	S5	148	288
SCE-404CHNF	A1	3	86	SCE-42EL4812WFLP	A4	148	102
SCE-404SC	A1	2	88	SCE-42EL6012SSWFALP	S5	158	288
SCE-40EL2412LP	E3	89	91	SCE-42EL6012WFALP	A4	158	102
SCE-40EL2412LPLG	E3	89	93	SCE-42H2408LP	A3	79	99
SCE-40P24	P3	40	440	SCE-42H3008LP	A3	101	99
SCE-40P24GALV	P3	40	444	SCE-42H3010LP	A3	105	99
SCE-41VR2412	N3	144	114	SCE-42H3010SS6LP	S3	102	286
SCE-424212WFLP	A4	162	104	SCE-42H3010SSLP	S3	102	284
SCE-424216WFLP	A4	179	104	SCE-42H3012LP	A3	111	99
SCE-424812WFLP	A4	171	104	SCE-42H3016LP	A3	120	99
SCE-424816WFLP	A4	187	104	SCE-42H3608LP	A3	117	99

Part Number	Price Code	Ship Weight	Catalog Page	Part Number	Price Code	Ship Weight	Catalog Page
SCE-42H3608SS6LP	S3	114	286	SCE-42XEL3712LP12LG	E3	117	108
SCE-42H3608SSLP	S3	114	284	SCE-42XEL3712LPLG	E3	136	108
SCE-42H3610LP	A3	127	99	SCE-42XEL3712SS6LP	S5	127	292
SCE-42H3612LP	A3	140	99	SCE-42XEL3712SSLP	S5	127	290
SCE-42H3616LP	A3	149	99	SCE-42XEL3716LP	E3	150	106
SCE-42HS3112LP	A3	118	110	SCE-42XEL3716LPLG	E3	150	108
SCE-42HS3112SS6LP	S3	111	296	SCE-42XEL3716SS6LP	S5	150	292
SCE-42HS3112SSLP	S3	111	296	SCE-42XEL3716SSLP	S5	150	290
SCE-42HS3712LP	A3	136	110	SCE-43PCSC	F1	2.5	336
SCE-42HS3712SS6LP	S3	132	296	SCE-44CCOL	P2	15	20
SCE-42HS3712SSLP	S3	132	296	SCE-44CCOLSS	P2	15	222
SCE-42K3612SSST	S8	155	280	SCE-44PBCOL	P2	18	20
SCE-42K3616SSST	S8	175	280	SCE-44PBCOLSS	P2	18	222
SCE-42P24	P3	31	440	SCE-462519DC	C1	140	28
SCE-42P24GALV	P3	25	444	SCE-462519DCSS	S10	108.96	224
SCE-42P30	P3	33	440	SCE-462519DCSS6	S10	108.96	224
SCE-42P30GALV	P3	33	444	SCE-462519SDC	C1	172	28
SCE-42P30SS	P3	33	442	SCE-462519SDCSS	S10	108.96	224
SCE-42P30SS6	P3	33	442	SCE-462519SDCSS6	S10	108.96	224
SCE-42P36	P3	39	440	SCE-463719DC	C1	192	28
SCE-42P36GALV	P3	39	444	SCE-463719DCSS	S10	142.96	224
SCE-42P36SS	P3	39	442	SCE-463719DCSS6	S10	142.96	224
SCE-42P36SS6	P3	39	442	SCE-463719SDC	C1	200	28
SCE-42P42	P3	50	440	SCE-463719SDCSS	S10	142.96	224
SCE-42P42GALV	P3	50	444	SCE-463719SDCSS6	S10	142.96	224
SCE-42P52	P3	72.5	440	SCE-464919DC	C1	215	28
SCE-42P52GALV	P3	55	156	SCE-464919DCC	C1	235	28
SCE-42R3012LP	N3	114	116	SCE-464919DCCSS	S10	176.95	224
SCE-42R3016LP	N3	104	116	SCE-464919DCCSS6	S10	176.95	224
SCE-42X2D5412	A2	247.5	156	SCE-464919DCSS	S10	176.95	224
SCE-42XEL3108LP	E3	103	106	SCE-464919DCSS6	S10	176.95	224
SCE-42XEL3110LP	E3	108	106	SCE-464919SDC	C1	225	28
SCE-42XEL3110LPLG	E3	108	108	SCE-464919SDCSS	S10	176.95	224
SCE-42XEL3110SS6LP	S5	108	292	SCE-464919SDCSS6	S10	176.95	224
SCE-42XEL3110SSLP	S5	108	290	SCE-466019DC	C1	240	28
SCE-42XEL3112LP	E3	122	106	SCE-466019DCC	C1	255	28
SCE-42XEL3112LPLG	E3	122	108	SCE-466019DCCSS	S10	207.06	224
SCE-42XEL3112SS6LP	S5	117	292	SCE-466019DCCSS6	S10	207.06	224
SCE-42XEL3112SSLP	S5	117	290	SCE-466019DCSS	S10	207.06	224
SCE-42XEL3116LP	E3	132	106	SCE-466019DCSS6	S10	207.06	224
SCE-42XEL3116LPLG	E3	132	108	SCE-466019SDC	C1	250	28
SCE-42XEL3708LP	E3	122	106	SCE-466019SDCSS	S10	207.06	224
SCE-42XEL3710LP	E3	117	106	SCE-466019SDCSS6	S10	207.06	224
SCE-42XEL3710LPLG	E3	117	108	SCE-47VR2414	N3	160.17	114
SCE-42XEL3712LP	E3	136	106	SCE-47XVR2514	N3	215	112
SCE-42XEL3712LP12	E3	117	106	SCE-484812WFLP	A4	223	104



Your Enclosure Source®

Part Number	Price Code	Ship Weight	Catalog Page	Part Number	Price Code	Ship Weight	Catalog Page
SCE-484816WFLP	A4	248	104	SCE-48H3612LP	A3	145	99
SCE-48EL2408LP	E3	83	91	SCE-48H3612SS6LP	S3	140	286
SCE-48EL2408LPLG	E3	83	93	SCE-48H3612SSLP	S3	140	284
SCE-48EL2412LP	E3	99	91	SCE-48H3616LP	A3	153	99
SCE-48EL2412LPLG	E3	99	93	SCE-48H3616SS6LP	S3	158	286
SCE-48EL2412SSLP	S5	150	272	SCE-48H3616SSLP	S3	158	284
SCE-48EL3008LP	E3	125	91	SCE-48H3620LP	A3	173	99
SCE-48EL3008LPLG	E3	125	93	SCE-48HS3712LP	A3	153	110
SCE-48EL3010LP	E3	117	91	SCE-48HS3712SS6LP	S3	147	296
SCE-48EL3010LPLG	E3	117	93	SCE-48HS3712SSLP	S3	147	296
SCE-48EL3012LP	E3	132.5	91	SCE-48K3612SSST	S8	173	280
SCE-48EL3016LP	E3	159	91	SCE-48K3616SSST	S8	185	280
SCE-48EL3016LPLG	E3	159	93	SCE-48P24	P3	36	440
SCE-48EL3608LP	E3	129	91	SCE-48P24GALV	P3	31	444
SCE-48EL3608LPLG	E3	129	93	SCE-48P24SS	P3	31	442
SCE-48EL3610LP	E3	137	91	SCE-48P24SS6	P3	31	442
SCE-48EL3610LPLG	E3	137	93	SCE-48P30	P3	45	440
SCE-48EL3612LP	E3	133	91	SCE-48P30GALV	P3	45	444
SCE-48EL3612LPLG	E3	133	93	SCE-48P36	P3	55	440
SCE-48EL3612LPPL	E3	173	96	SCE-48P36GALV	P3	46	444
SCE-48EL3612SS6LP	S5	131	274	SCE-48P36SS	P3	46	442
SCE-48EL3612SS6LPPL	S9	188	270	SCE-48P36SS6	P3	46	442
SCE-48EL3612SSLP	S5	131	272	SCE-48P37	P3	69.5	440
SCE-48EL3612SSLPPL	S9	131	270	SCE-48P42	P3	56	440
SCE-48EL3612SSST	S8	185	276	SCE-48P42GALV	P3	56	444
SCE-48EL3616LP	E3	149	91	SCE-48P48	P3	80	440
SCE-48EL3616LPLG	E3	149	93	SCE-48P48GALV	P3	80	444
SCE-48EL3616LPPL	E3	133.33	96	SCE-48P76	P3	191	440
SCE-48EL3616SS6LP	S5	153	274	SCE-48P76GALV	P3	185	156
SCE-48EL3616SSLP	S5	153	272	SCE-48X2D7812	A2	460	156
SCE-48EL3616SSLPPL	S9	181	270	SCE-48X2D7818	A2	478	156
SCE-48EL3616SSST	S8	173	276	SCE-48X3D11818	A2	737.5	157
SCE-48EL3620LP	E3	173	91	SCE-48X4D15818	A2	965	157
SCE-48EL3620LPLG	E3	173	93	SCE-48XEL2510LP	E3	119	106
SCE-48EL4812SSWFLP	S5	152	288	SCE-48XEL3708LP	E3	131	106
SCE-48EL4812WFLP	A4	152	102	SCE-48XEL3710LP	E3	127	106
SCE-48H2408LP	A3	83	99	SCE-48XEL3710LPLG	E3	127	108
SCE-48H3008LP	A3	104	99	SCE-48XEL3710SS6LP	S5	140	292
SCE-48H3010LP	A3	117	99	SCE-48XEL3710SSLP	S5	140	290
SCE-48H3016LP	A3	134	99	SCE-48XEL3712LP	E3	152	106
SCE-48H3608LP	A3	129	99	SCE-48XEL3712LP12	E3	152	106
SCE-48H3608SS6LP	S3	215	286	SCE-48XEL3712LP12LG	E3	118	108
SCE-48H3608SSLP	S3	126	284	SCE-48XEL3712LPLG	E3	152	108
SCE-48H3610LP	A3	137	99	SCE-48XEL3712SS6LP	S5	134	292
SCE-48H3610SSLP	S3	131.67	284	SCE-48XEL3712SSLP	S5	134	290

Part Number	Price Code	Ship Weight	Catalog Page	Part Number	Price Code	Ship Weight	Catalog Page
SCE-48XEL3712SSST	S8	205.67	294	SCE-5PBX-RAL1018	A1	6.6	60
SCE-48XEL3716LP	E3	169	106	SCE-603624FS	A2	327	134
SCE-48XEL3716LPLG	E3	169	108	SCE-6044CHNF	A1	5	86
SCE-48XEL3716SS6LP	S5	169	292	SCE-6044CHNFSS	S1	4	268
SCE-48XEL3716SSLP	S5	169	290	SCE-6044CHNFSS6	S1	4	268
SCE-48XEL3716SSST	S8	176	294	SCE-6044SC	A1	4	88
SCE-4PB	A1	5	56	SCE-6045CHQRFQ	F1	3	344
SCE-4PBA	A1	5	70	SCE-604808LP	A2	337	132
SCE-4PBAI	A1	5	72	SCE-604810LP	A2	360	132
SCE-4PBGX	A1	4	64	SCE-604812LP	A2	379	132
SCE-4PBI	A1	5	58	SCE-604816LP	A2	407	132
SCE-4PB-RAL1018	A1	5	56	SCE-604818FSD	A2	372	136
SCE-4PBSS	S1	5	252	SCE-604818SSFSD	S2	372	308
SCE-4PBSS6	S1	4	252	SCE-604824LP	A2	430	132
SCE-4PBSS6I	S1	5.42	254	SCE-604CHNF	A1	3	86
SCE-4PBSSI	S1	5	254	SCE-604ELJ	E1	3	74
SCE-4PBX	A1	5	60	SCE-604ELJLG	E1	3	76
SCE-4PBXI	A1	6	62	SCE-604ELJSS	S6	3	260
SCE-4PBX-RAL1018	A1	5	60	SCE-604ELJSS6	S6	3	260
SCE-4PBXSS	S1	6	252	SCE-604ELJSSST	S8	4	278
SCE-4PBXSS6	S1	4.74	252	SCE-604FG	F1	3	342
SCE-4PBXSS6I	S1	3.73	254	SCE-604FW	F1	5	346
SCE-4PBXSSI	S1	6	254	SCE-604SC	A1	3	88
SCE-4R44	N3	3	118	SCE-606010LP	A2	425	132
SCE-4SPB	A1	6	56	SCE-606012LP	A2	436	132
SCE-4SPBA	A1	6	70	SCE-606016LP	A2	466	132
SCE-4SPBAI	A1	7	72	SCE-606024LP	A2	525	132
SCE-4SPBH	A1	9.56	66	SCE-6065CHQRFQ	F1	4	344
SCE-4SPBHI	A1	7.25	68	SCE-606CHNF	A1	5	86
SCE-4SPBI	A1	6	58	SCE-606CHNFSS	S1	5	268
SCE-4SPBSS	S1	5	252	SCE-606CHNFSS6	S1	5	268
SCE-4SPBSS6	S1	5.88	252	SCE-606ELJ	E1	3	74
SCE-4SPBSS6I	S1	3	254	SCE-606ELJLG	E1	3	76
SCE-4SPBSSI	S1	6	254	SCE-606ELJSS	S6	4	260
SCE-4SPBX	A1	5	60	SCE-606ELJSS6	S6	4	260
SCE-4SPBXI	A1	5	62	SCE-606ELJSSST	S8	5	278
SCE-4SPBX-RAL1018	A1	5	60	SCE-606FG	F1	3	342
SCE-53PCSC	F1	2.75	336	SCE-606FW	F1	3	346
SCE-53VR3616	N3	220.86	114	SCE-606PC	F1	2.5	332
SCE-53VR3620	N3	228	114	SCE-606PCW	F1	2.5	334
SCE-53XVR3716	N3	235	112	SCE-606SC	A1	5	88
SCE-53XVR3720	N3	231	112	SCE-60AFSD	P2	13	457
SCE-5PB	A1	4	56	SCE-60BFP42	P3	58	440
SCE-5PBI	A1	4	58	SCE-60BFP42GALV	P3	58	444
SCE-5PB-RAL1018	A1	4	56	SCE-60EL2412LP	E3	141	91

Part Number	Price Code	Ship Weight	Catalog Page	Part Number	Price Code	Ship Weight	Catalog Page
SCE-60EL2412LPLG	E3	141	93	SCE-60EL6012LPPL	E2	561	130
SCE-60EL2418FS	A2	233	134	SCE-60EL6012SS6LPPL	S4	561	300
SCE-60EL2418SS6FS	S5	255	304	SCE-60EL6012SS6ST	S8	571	302
SCE-60EL2418SSFS	S4	240	304	SCE-60EL6012SSLPPL	S4	561	300
SCE-60EL3608LP	E3	205	91	SCE-60EL6012SSST	S8	571	302
SCE-60EL3608LPLG	E3	205	93	SCE-60EL6018LPPL	E2	590	130
SCE-60EL3610LP	E3	164	91	SCE-60EL6018SS6LPPL	S4	590	300
SCE-60EL3610LPLG	E3	164	93	SCE-60EL6018SS6ST	S8	525.98	302
SCE-60EL3612LP	E3	162	91	SCE-60EL6018SSLPPL	S4	590	300
SCE-60EL3612LPLG	E3	162	93	SCE-60EL6018SSST	S8	602	302
SCE-60EL3612LPPL	E3	190	96	SCE-60FSCPS	P2	23	151
SCE-60EL3612SS6LP	S5	162	274	SCE-60FSHDPS	P2	18	151
SCE-60EL3612SS6LPPL	S9	172.5	270	SCE-60H3608LP	A3	159	99
SCE-60EL3612SSLP	S5	162	272	SCE-60H3610LP	A3	164	99
SCE-60EL3612SSLPPL	S9	162	270	SCE-60H3612LP	A3	173	99
SCE-60EL3612SSST	S8	216.5	276	SCE-60H3612SS6LP	S3	179	286
SCE-60EL3616LP	E3	195	91	SCE-60H3612SSLP	S3	179	284
SCE-60EL3616LPLG	E3	195	93	SCE-60H3616LP	A3	195	99
SCE-60EL3616LPPL	E3	160.42	96	SCE-60H3620LP	A3	235	99
SCE-60EL3616SS6LP	S5	195	274	SCE-60HS3712LP	A3	187	110
SCE-60EL3616SSLP	S5	195	272	SCE-60HS3712SS6LP	S3	179	296
SCE-60EL3616SSLPPL	S9	161.7	270	SCE-60HS3712SSLP	S3	179	296
SCE-60EL3616SSST	S8	180	276	SCE-60P24	P3	50	440
SCE-60EL3620LP	E3	209	91	SCE-60P24F1	p3	37	148
SCE-60EL3620LPLG	E3	209	93	SCE-60P24F2	p3	23	148
SCE-60EL3624LP	E3	265.32	91	SCE-60P24GALV	P3	50	444
SCE-60EL3624LPLG	E3	265.32	93	SCE-60P24WS	C2	7	41
SCE-60EL3624LPPL	E3	193.75	96	SCE-60P30	P3	57	440
SCE-60EL3624SS6FS	S4	350	304	SCE-60P30GALV	P3	54	444
SCE-60EL3624SSFS	S4	345	304	SCE-60P30SS	P3	50	442
SCE-60EL3624SSLP	S4	265	272	SCE-60P30SS6	P3	50	442
SCE-60EL3624SSLPPL	S9	195.3	270	SCE-60P32WS	C2	11.21	41
SCE-60EL4812LPPL	E2	509	130	SCE-60P36	P3	58	440
SCE-60EL4812SS6LPPL	S4	509	300	SCE-60P36F1	p3	57	148
SCE-60EL4812SS6ST	S8	519	302	SCE-60P36F2	p3	35	148
SCE-60EL4812SSLPPL	S4	509	300	SCE-60P36GALV	P3	58	444
SCE-60EL4812SSST	S8	519	302	SCE-60P36SS	P3	58	442
SCE-60EL4818FSD	A2	381.08	138	SCE-60P36SS6	P3	58	442
SCE-60EL4818LPPL	E2	515	130	SCE-60P42	P3	80	440
SCE-60EL4818SS6FSD	S4	394	306	SCE-60P48	P3	100	440
SCE-60EL4818SS6LPPL	S4	515	300	SCE-60P48F1	p3	98	148
SCE-60EL4818SS6ST	S8	525	302	SCE-60P48GALV	P3	100	444
SCE-60EL4818SSFSD	S4	394	306	SCE-60P60	P3	123	441
SCE-60EL4818SSLPPL	S4	515	300	SCE-60P60GALV	P3	165	444
SCE-60EL4818SSST	S8	525	302	SCE-60P76	P3	152.5	441



Part Number	Price Code	Ship Weight	Catalog Page	Part Number	Price Code	Ship Weight	Catalog Page
SCE-60PC36	P3	41	440	SCE-642424SSWS	S3	295	228
SCE-60RA19TH	P2	14	150	SCE-642424WS	C2	285	32
SCE-60RA19WS	C2	14	40	SCE-642432SSWS	S3	300	228
SCE-60RA24WS	C2	14	40	SCE-642432WS	C2	290	32
SCE-60RP19WS	C2	7	40	SCE-64P25	P3	50	441
SCE-60RP24F5	P2	17	150	SCE-64P25GALV	P3	50	444
SCE-60RP24F6	P2	6	40	SCE-64P31	P3	53	441
SCE-60SMP14	p3	25	148	SCE-64P31GALV	P3	55	445
SCE-60X2D7818	A2	570	156	SCE-64P37	P3	61	441
SCE-60XEL3708LP	E3	166	106	SCE-64P37GALV	P3	62	445
SCE-60XEL3710LP	E3	167	106	SCE-64P52	P3	111	441
SCE-60XEL3710LPLG	E3	167	108	SCE-64P52GALV	P3	111	445
SCE-60XEL3712LP	E3	187	106	SCE-64P64	P3	130	441
SCE-60XEL3712LPLG	E3	187	108	SCE-64P64GALV	P3	135	445
SCE-60XEL3712SS6LP	S5	189	292	SCE-64P76	P3	140	441
SCE-60XEL3712SSLP	S5	189	290	SCE-64P76GALV	P3	164	445
SCE-60XEL3716LP	E3	198	106	SCE-65VR3616	N3	244	114
SCE-60XEL3716LP12	E3	198	106	SCE-65VR3620	N3	249	114
SCE-60XEL3716LP12LG	E3	198	108	SCE-65XVR3716	N3	277.67	112
SCE-60XEL3716LPLG	E3	198	108	SCE-65XVR3720	N3	252	112
SCE-60XEL3716SS6LP	S5	198	292	SCE-66CCOL	P2	21	20
SCE-60XEL3716SSLP	S5	198	290	SCE-66CCOLSS	P2	20.4	222
SCE-60XEL3716SSST	S8	188	294	SCE-66PBCOL	P2	24	20
SCE-60XEL4912LP	A2	488	162	SCE-66PBCOLSS	P2	25	222
SCE-60XEL4912SS6LP	S4	569	310	SCE-66ST2626SSWS	S3	246	232
SCE-60XEL4912SS6ST	S8	529	312	SCE-66ST2626WS	C2	245	36
SCE-60XEL4912SSLP	S4	569	310	SCE-6N604LP	N1	4	120
SCE-60XEL4912SSST	S8	529	312	SCE-6N6MP	N1	1	447
SCE-60XEL4918LP	A2	525	162	SCE-6N6MPP	N1	1	448
SCE-60XEL4918SS6LP	S4	525	310	SCE-6P4	P3	1	440
SCE-60XEL4918SS6ST	S8	535	312	SCE-6P4AL	F2	1	446
SCE-60XEL4918SSLP	S4	525	310	SCE-6P4GALV	P3	1	444
SCE-60XEL4918SSST	S8	535	312	SCE-6P4SS	P3	1	442
SCE-60XEL4924LP	A2	590	162	SCE-6P6	P3	1	440
SCE-60XEL6112LP	A2	571	162	SCE-6P6AL	F2	1	446
SCE-60XEL6112SS6LP	S4	571	310	SCE-6P6GALV	P3	1	444
SCE-60XEL6112SS6ST	S8	584	312	SCE-6P6SS	P3	1	442
SCE-60XEL6112SSLP	S4	571	310	SCE-6PB	A1	8	56
SCE-60XEL6112SSST	S8	584	312	SCE-6PBA	A1	6	70
SCE-60XEL6118LP	A2	600	162	SCE-6PBAI	A1	8	72
SCE-60XEL6118SS6LP	S4	600	310	SCE-6PBGX	A1	6	64
SCE-60XEL6118SS6ST	S8	616	312	SCE-6PBH	A1	11.57	66
SCE-60XEL6118SSLP	S4	600	310	SCE-6PBHI	A1	11.2	68
SCE-60XEL6118SSST	S8	616	312	SCE-6PBI	A1	5	58
SCE-60XEL6124LP	A2	650	162	SCE-6PBSS	S1	5	252

Part Number	Price Code	Ship Weight	Catalog Page	Part Number	Price Code	Ship Weight	Catalog Page
SCE-6PBSS6	S1	5	252	SCE-72EL2418SS6FS	S4	290	304
SCE-6PBSS6I	S1	5	254	SCE-72EL2418SSFS	S4	290	304
SCE-6PBSSI	S1	5	254	SCE-72EL2424FS	A2	305	134
SCE-6PBVL	A1	5	56	SCE-72EL2424FSDA	A2	318	140
SCE-6PBVLI	A1	5	58	SCE-72EL2424SS6FS	S4	328	304
SCE-6PBX	A1	8	60	SCE-72EL2424SSFS	S4	327.5	304
SCE-6PBXI	A1	8	62	SCE-72EL2430FSDA	A2	360	140
SCE-6PBX-RAL1018	A1	8	60	SCE-72EL2436FSDA	A2	401	140
SCE-6PBXVL	A1	7.54	60	SCE-72EL3012LP	E3	217	91
SCE-6PBXVLI	A1	7.2	62	SCE-72EL3012LPLG	E3	217	93
SCE-6R64	N3	4	118	SCE-72EL3016LP	E3	236	91
SCE-6R66	N3	5	118	SCE-72EL3016LPLG	E3	236	93
SCE-7230SOF19	P2	63	149	SCE-72EL3016SS6LP	S5	236	274
SCE-723618FS	A2	324	134	SCE-72EL3016SSLP	S5	236	272
SCE-723624FS	A2	363	134	SCE-72EL3018FS	A2	320	134
SCE-723624FSDA	A2	389	140	SCE-72EL3018SS6FS	S4	330	304
SCE-723630FS	A2	423	134	SCE-72EL3018SSFS	S4	320	304
SCE-723636FS	A2	468	134	SCE-72EL3024FS	A2	355	134
SCE-723636FSDA	A2	478	140	SCE-72EL3024FSDA	A2	362	140
SCE-7236SOF19	P2	73	149	SCE-72EL3024LP	E3	242	91
SCE-724818FSD	A2	450	136	SCE-72EL3024LPLG	E3	242	93
SCE-724818SSFSD	S2	450	308	SCE-72EL3024SS6FS	S4	360	304
SCE-724824FSD	A2	494	136	SCE-72EL3024SSFS	S4	360	304
SCE-724824FSDAD	A2	479	142	SCE-72EL3612LP	E3	222	91
SCE-724824SSFSD	S2	494	308	SCE-72EL3612LPLG	E3	222	93
SCE-726010ULP	A2	540	132	SCE-72EL3612SS6LP	S5	222	274
SCE-726012ULP	A2	490	132	SCE-72EL3612SSLP	S5	256.97	272
SCE-726016ULP	A2	520	132	SCE-72EL3616LP	E3	234	91
SCE-726018FSD	A2	517	136	SCE-72EL3616LPLG	E3	234	93
SCE-726018SSFSD	S2	517	308	SCE-72EL3616SS6LP	S5	234	274
SCE-726024FSD	A2	573	136	SCE-72EL3616SSLP	S5	234	272
SCE-726024FSDAD	A2	545	142	SCE-72EL3618SS6FS	S4	354	304
SCE-726024SSFSD	S2	573	308	SCE-72EL3618SSFS	S4	354	304
SCE-726024ULP	A2	545	132	SCE-72EL3624FS	A2	363	134
SCE-726036FSD	A2	700	136	SCE-72EL3624LP	E3	304.67	91
SCE-726036FSDAD	A2	674	142	SCE-72EL3624LPLG	E3	304.67	93
SCE-726036SSFSD	S2	698	308	SCE-72EL3624LPPL	E3	225	96
SCE-727210ULP	A2	547	132	SCE-72EL3624SS6FS	S4	390	304
SCE-727212ULP	A2	557	132	SCE-72EL3624SSFS	S4	390	304
SCE-727216ULP	A2	570	132	SCE-72EL3624SSLPPL	S9	266.8	270
SCE-727218FSD	A2	599	136	SCE-72EL3630SS6FS	S4	455	304
SCE-727218SSFSD	S2	599	308	SCE-72EL3630SSFS	S4	445	304
SCE-727224FSD	A2	663	136	SCE-72EL3636SS6FS	S4	500	304
SCE-727224FSDAD	A2	628	142	SCE-72EL3636SSFS	S4	489	304
SCE-727224SSFSD	S2	663	308	SCE-72EL4818FSD	A2	478	138
SCE-727224ULP	A2	594	132	SCE-72EL4818SS6FSD	S4	540	306
SCE-72EL2418FS	A2	285	134	SCE-72EL4818SSFSD	S4	540	306

Part Number	Price Code	Ship Weight	Catalog Page	Part Number	Price Code	Ship Weight	Catalog Page
SCE-72EL4824FSD	A2	573	138	SCE-72FSHDPS	P2	23	151
SCE-72EL4824SS6FSD	S4	523	306	SCE-72H3012LP	A3	205	99
SCE-72EL4824SSFSD	S4	519	306	SCE-72H3016LP	A3	202	99
SCE-72EL6012LPPL	E2	639	130	SCE-72H3024LP	A3	247	99
SCE-72EL6012SS6LPPL	S4	639	300	SCE-72H3612LP	A3	222	99
SCE-72EL6012SS6ST	S8	649	302	SCE-72H3616LP	A3	236	99
SCE-72EL6012SSLPPL	S4	639	300	SCE-72P24F1	p3	46	148
SCE-72EL6012SSST	S8	649	302	SCE-72P24F2	p3	23	148
SCE-72EL6018FSD	A2	535	138	SCE-72P30	P3	71	441
SCE-72EL6018LPPL	E2	670	130	SCE-72P30F1	p3	59	148
SCE-72EL6018SS6FSD	S4	550	306	SCE-72P30F1GALV	P3	83	148
SCE-72EL6018SS6LPPL	S4	670	300	SCE-72P30F2	p3	30	148
SCE-72EL6018SS6ST	S8	609.06	302	SCE-72P30GALV	P3	71	445
SCE-72EL6018SSFSD	S4	550	306	SCE-72P36	P3	74	441
SCE-72EL6018SSLPPL	S4	670	300	SCE-72P36F1	p3	67	148
SCE-72EL6018SSST	S8	682	302	SCE-72P36F1GALV	P3	129.97	148
SCE-72EL6024FSD	A2	595	138	SCE-72P36F2	p3	40	148
SCE-72EL6024SS6FSD	S4	595	306	SCE-72P36GALV	P3	74	445
SCE-72EL6024SSFSD	S4	595	306	SCE-72P48	P3	153.71	441
SCE-72EL6036FSD	A2	730	138	SCE-72P48F1	p3	121	148
SCE-72EL6036SS6FSD	S4	730	306	SCE-72P48F1GALV	P3	219	148
SCE-72EL6036SSFSD	S4	730	306	SCE-72P48F2	p3	73	148
SCE-72EL7212LPPL	E2	720	130	SCE-72P60	P3	149	441
SCE-72EL7212SS6LPPL	S4	720	300	SCE-72P60F1	p3	154	148
SCE-72EL7212SS6ST	S8	740	302	SCE-72P60F1GALV	P3	177	148
SCE-72EL7212SSLPPL	S4	720	300	SCE-72P60F2	p3	87	148
SCE-72EL7212SSST	S8	740	302	SCE-72P60GALV	P3	153	445
SCE-72EL7218FSD	A2	631	138	SCE-72P72	P3	181	441
SCE-72EL7218LPPL	E2	763	130	SCE-72P72F1	p3	180	148
SCE-72EL7218SS6FSD	S4	630	306	SCE-72P72F1GALV	P3	162.39	148
SCE-72EL7218SS6LPPL	S4	763	300	SCE-72P72F2	p3	103	148
SCE-72EL7218SS6ST	S8	698.49	302	SCE-72P72GALV	P3	203	445
SCE-72EL7218SSFSD	S4	642.5	306	SCE-72RA19TH	P2	17	150
SCE-72EL7218SSLPPL	S4	763	300	SCE-72RA24TH	P2	20	150
SCE-72EL7218SSST	S8	783	302	SCE-72RP24F5	P2	20	150
SCE-72EL7224FSD	A2	710	138	SCE-72RP24F6	P2	11	150
SCE-72EL7224LPPL	E2	884	130	SCE-72RP30F5	P2	24	150
SCE-72EL7224SS6FSD	S4	695	306	SCE-72RP30F6	P2	13	150
SCE-72EL7224SS6LPPL	S4	884	300	SCE-72SMP14	P3	30	148
SCE-72EL7224SS6ST	S8	904	302	SCE-72SMP20	P3	41	148
SCE-72EL7224SSFSD	S4	680	306	SCE-72SP24F3	P2	73	149
SCE-72EL7224SSLPPL	S4	884	300	SCE-72SP24F4	P2	41	149
SCE-72EL7224SSST	S8	904	302	SCE-72SP30F3	P2	87	149
SCE-72FP	P3	30	193	SCE-72SP30F4	P2	46	149
SCE-72FPGALV	P3	22	447	SCE-72SP36F3	P2	99	149
SCE-72FSCPS	P2	25	151	SCE-72SP36F4	P2	51	149
SCE-72FSCS	P2	23	151	SCE-72X7312LP	A2	730	162

Part Number	Price Code	Ship Weight	Catalog Page	Part Number	Price Code	Ship Weight	Catalog Page
SCE-72X7318LP	A2	773	162	SCE-72XEL7312SSST	S8	770	312
SCE-72X7324LP	A2	894	162	SCE-72XEL7318LP	A2	773	162
SCE-72XD2818	A2	460	172	SCE-72XEL7318SS6LP	S4	773	310
SCE-72XD2818G	A2	475	172	SCE-72XEL7318SS6ST	S8	729.06	312
SCE-72XD2818SS	S2	420	322	SCE-72XEL7318SSLP	S4	773	310
SCE-72XD2818SS6	S2	420	322	SCE-72XEL7318SSST	S8	812	312
SCE-72XD3418	A2	510	172	SCE-72XEL7324LP	A2	773	162
SCE-72XD3418G	A2	510	172	SCE-72XEL7324SS6LP	S4	894	310
SCE-72XD3418SS	S2	460	322	SCE-72XEL7324SS6ST	S8	1039	312
SCE-72XD3418SS6	S2	460	322	SCE-72XEL7324SSLP	S4	894	310
SCE-72XD3EQ18	A2	1210	173	SCE-72XEL7324SSST	S8	1039	312
SCE-72XD3EQ18G	A2	1210	173	SCE-72XM2818	A2	390	164
SCE-72XD3EQ18SS	S2	1090	323	SCE-72XM2818G	A2	395	164
SCE-72XD3EQ18SS6	S2	1090	323	SCE-72XM2818SS	S2	345	314
SCE-72XD3EW18	A2	1400	173	SCE-72XM2818SS6	S2	345	314
SCE-72XD3EW18G	A2	1400	173	SCE-72XM3418	A2	430	164
SCE-72XD3EW18SS	S2	1260	323	SCE-72XM3418G	A2	430	164
SCE-72XD3EW18SS6	S2	1260	323	SCE-72XM3418SS	S2	385	314
SCE-72XD4018	A2	575	172	SCE-72XM3418SS6	S2	356.88	314
SCE-72XD4018G	A2	575	172	SCE-72XM3EQ18	A2	1135	166
SCE-72XD4018SS	S2	520	322	SCE-72XM3EQ18G	A2	1137.5	166
SCE-72XD4018SS6	S2	520	322	SCE-72XM3EQ18SS	S2	1020	316
SCE-72XD5418	A2	740	172	SCE-72XM3EQ18SS6	S2	1020	316
SCE-72XD5418G	A2	740	172	SCE-72XM3EW18	A2	1320	166
SCE-72XD5418SS	S2	650	322	SCE-72XM3EW18G	A2	1320	166
SCE-72XD5418SS6	S2	650	322	SCE-72XM3EW18SS	S2	1150	316
SCE-72XD6618	A2	865	172	SCE-72XM3EW18SS6	S2	1150	316
SCE-72XD6618G	A2	870	172	SCE-72XM4018	A2	500	164
SCE-72XD6618SS	S2	780	322	SCE-72XM4018G	A2	500	164
SCE-72XD6618SS6	S2	780	322	SCE-72XM4018SS	S2	440	314
SCE-72XD7818	A2	960	172	SCE-72XM4018SS6	S2	446.5	314
SCE-72XD7818G	A2	960	172	SCE-72XM5418	A2	665	165
SCE-72XD7818SS	S2	865	322	SCE-72XM5418G	A2	665	165
SCE-72XEL6112LP	A2	649	162	SCE-72XM5418SS	S2	600	315
SCE-72XEL6112SS6LP	S4	281	310	SCE-72XM5418SS6	S2	600	315
SCE-72XEL6112SS6ST	S8	664	312	SCE-72XM6618	A2	790	165
SCE-72XEL6112SSLP	S4	649	310	SCE-72XM6618G	A2	790.33	165
SCE-72XEL6112SSST	S8	664	312	SCE-72XM6618SS	S2	715	315
SCE-72XEL6118LP	A2	680	162	SCE-72XM6618SS6	S2	624.22	315
SCE-72XEL6118SS6LP	S4	680	310	SCE-72XM7818	A2	905	165
SCE-72XEL6118SS6ST	S8	702	312	SCE-72XM7818G	A2	905	165
SCE-72XEL6118SSLP	S4	680	310	SCE-72XM7818SS	S2	770	315
SCE-72XEL6118SSST	S8	702	312	SCE-72XM7818SS6	S2	770	315
SCE-72XEL7312LP	A2	730	162	SCE-72XM7824	A2	940	165
SCE-72XEL7312SS6LP	S4	730	310	SCE-72XM7824G	A2	940	165
SCE-72XEL7312SS6ST	S8	770	312	SCE-72XM7824SS	S2	845	315
SCE-72XEL7312SSLP	S4	730	310	SCE-72XM7824SS6	S2	845	315

Part Number	Price Code	Ship Weight	Catalog Page	Part Number	Price Code	Ship Weight	Catalog Page
SCE-72XR2818	A2	460	180	SCE-808ELJ	E1	8	74
SCE-72XR2818G	A2	475	180	SCE-808ELJLG	E1	8	76
SCE-72XR3418	A2	510	180	SCE-808FG	F1	4	342
SCE-72XR3418G	A2	510	180	SCE-808FW	F1	4	346
SCE-72XR3EQ18	A2	1210	180	SCE-808PC	F1	3	332
SCE-72XR3EQ18G	A2	1210	180	SCE-808PCW	F1	4	334
SCE-72XR3EW18	A2	1400	180	SCE-808SC	A1	7	88
SCE-72XR3EW18G	A2	1400	180	SCE-82P37	P3	105	441
SCE-72XR4018	A2	575	180	SCE-82P37GALV	P3	105	445
SCE-72XR4018G	A2	575	180	SCE-82P76	P3	210	441
SCE-72XR5418	A2	740	180	SCE-82P76GALV	P3	236	445
SCE-72XR5418G	A2	740	180	SCE-84FP	P3	35	193
SCE-72XR6618	A2	865	180	SCE-84FPGALV	P3	75	447
SCE-72XR6618G	A2	870	180	SCE-84XD3EW18	A2	1500	173
SCE-72XR7818	A2	960	180	SCE-84XD3EW18G	A2	1500	173
SCE-72XR7818G	A2	960	180	SCE-84XD3EW18SS	S2	1350	323
SCE-76P37	P3	93	441	SCE-84XD3EW18SS6	S2	1350	323
SCE-76P37GALV	P3	93	445	SCE-84XD4018	A2	650	172
SCE-76P76	P3	194	441	SCE-84XD4018G	A2	650	172
SCE-76P76GALV	P3	223	445	SCE-84XD4018SS	S2	595	322
SCE-7KJ0604SSST	S8	5	282	SCE-84XD4018SS6	S2	595	322
SCE-8064CHNFSS	S1	6	268	SCE-84XD4EW18	A2	1950	173
SCE-8064CHNFSS6	S1	6	268	SCE-84XD4EW18G	A2	1950	173
SCE-8065CHQRFG	F1	4	344	SCE-84XD5EW18	A2	2540	173
SCE-8066CHNF	A1	7	86	SCE-84XD5EW18G	A2	2540	173
SCE-8066ELJ	E1	5	74	SCE-84XD6EW18	A2	2350	173
SCE-8066ELJLG	E1	5	76	SCE-84XD6EW18G	A2	2350	173
SCE-8066ELJSS	S6	5	260	SCE-84XD7818	A2	1100	172
SCE-8066ELJSS6	S6	5	260	SCE-84XD7818G	A2	1100	172
SCE-8066ELJSSST	S8	6	278	SCE-84XD7818SS	S2	990	322
SCE-8066SC	A1	6	88	SCE-84XD7818SS6	S2	990	322
SCE-806CHNF	A1	6	86	SCE-84XM3EW18	A2	1450	166
SCE-806ELJ	E1	4	74	SCE-84XM3EW18G	A2	1442	166
SCE-806ELJLG	E1	4	76	SCE-84XM3EW18SS	S2	1280	316
SCE-806ELJSS	S6	4	260	SCE-84XM3EW18SS6	S2	1311	316
SCE-806ELJSS6	S6	5	260	SCE-84XM3EW24	A2	1550	166
SCE-806ELJSSST	S8	5	278	SCE-84XM3EW24G	A2	1550	166
SCE-806FG	F1	4	342	SCE-84XM3EW24SS	S2	1390	316
SCE-806FW	F1	4	346	SCE-84XM3EW24SS6	S2	1390	316
SCE-806PC	F1	3.19	332	SCE-84XM4018	A2	560	164
SCE-806PCW	F1	3.19	334	SCE-84XM4018G	A2	560	164
SCE-806SC	A1	6	88	SCE-84XM4018SS	S2	500	314
SCE-8086CHNF	A1	9	86	SCE-84XM4018SS6	S2	512	314
SCE-8086ELJ	E1	7	74	SCE-84XM4024	A2	618	164
SCE-8086ELJLG	E1	7	76	SCE-84XM4024G	A2	617	164
SCE-808CHNF	A1	7	86	SCE-84XM4024SS	S2	540	314
SCE-808CHQRFG	F1	4	344	SCE-84XM4024SS6	S2	549.33	314

Part Number	Price Code	Ship Weight	Catalog Page	Part Number	Price Code	Ship Weight	Catalog Page
SCE-84XM4EW18	A2	1850	167	SCE-8C12ELJ	A1	9.87	20
SCE-84XM4EW18G	A2	1850	167	SCE-8C12ELJSS	S1	10.57	222
SCE-84XM4EW18SS	S2	1650	316	SCE-8C16ELJ	A1	14.57	20
SCE-84XM4EW18SS6	S2	1650	316	SCE-8C16ELJSS	S1	10.3	222
SCE-84XM4EW24	A2	2050	167	SCE-8C20ELJ	A1	15.03	20
SCE-84XM4EW24G	A2	2050	167	SCE-8C20ELJSS	S1	12.1	222
SCE-84XM4EW24SS	S2	1861	316	SCE-8C8ELJ	A1	7.77	20
SCE-84XM4EW24SS6	S2	1861	316	SCE-8C8ELJSS	S1	6.35	222
SCE-84XM5EW18	A2	2465	167	SCE-8N604LP	N1	5	120
SCE-84XM5EW18G	A2	2461	167	SCE-8N6MP	N1	1	447
SCE-84XM5EW18SS	S2	2200	317	SCE-8N6MPP	N1	1	448
SCE-84XM5EW18SS6	S2	2200	317	SCE-8N804LP	N1	6	120
SCE-84XM5EW24	A2	2500	167	SCE-8N806LP	N1	7	120
SCE-84XM5EW24G	A2	2500	167	SCE-8N8MP	N1	1	447
SCE-84XM5EW24SS	S2	2300	317	SCE-8N8MPP	N1	1	448
SCE-84XM5EW24SS6	S2	2300	317	SCE-8P12C	P3	1.65	446
SCE-84XM6EW24	A2	3000	167	SCE-8P16C	P3	2.1	446
SCE-84XM6EW24G	A2	3000	167	SCE-8P20C	P3	2.5	446
SCE-84XM6EW24SS	S2	2700	317	SCE-8P6	P3	1	440
SCE-84XM6EW24SS6	S2	2700	317	SCE-8P6AL	F2	1	446
SCE-84XM7818	A2	1000	165	SCE-8P6GALV	P3	1	444
SCE-84XM7818G	A2	1000	165	SCE-8P6SS	P3	1	442
SCE-84XM7818SS	S2	900	315	SCE-8P8	P3	1	440
SCE-84XM7818SS6	S2	900	315	SCE-8P8AL	F2	1	446
SCE-84XM7824	A2	1060	165	SCE-8P8C	P3	1	446
SCE-84XM7824G	A2	1060	165	SCE-8P8GALV	P3	1	444
SCE-84XM7824SS	S2	945	315	SCE-8PB	A1	7	56
SCE-84XM7824SS6	S2	959.67	315	SCE-8PBA	A1	9	70
SCE-84XR3EW18	A2	1500	180	SCE-8PBAI	A1	9	72
SCE-84XR3EW18G	A2	1500	180	SCE-8PBI	A1	8	58
SCE-84XR4018	A2	650	180	SCE-8R64	N3	4	118
SCE-84XR4018G	A2	650	180	SCE-8R66	N3	6	118
SCE-84XR4EW18	A2	1950	181	SCE-8STS	C2	7	39
SCE-84XR4EW18G	A2	1950	181	SCE-8VESTS	C2	7	39
SCE-84XR5EW18	A2	2540	181	SCE-903620FS	A2	400	134
SCE-84XR5EW18G	A2	2540	181	SCE-903624FS	A2	436	134
SCE-84XR6EW18	A2	2350	181	SCE-903624FSDA	A2	456	140
SCE-84XR6EW18G	A2	2350	181	SCE-903636FS	A2	559	134
SCE-84XR7818	A2	1100	180	SCE-903636FSDA	A2	563	140
SCE-84XR7818G	A2	1100	180	SCE-9036SOF19	P2	84	149
SCE-86M3E	A2	1510	152	SCE-904820FSD	A2	549	136
SCE-86M3E20	A2	1590	152	SCE-904820SSFSD	S2	549	308
SCE-86M4E	A2	1958	152	SCE-904824FSD	A2	701	136
SCE-86M4E20	A2	2059	152	SCE-906020FSD	A2	757	136
SCE-86M5E	A2	2475	152	SCE-907220FSD	A2	733	136
SCE-86M5E20	A2	2590	152	SCE-907220SSFSD	S2	732	308

Part Number	Price Code	Ship Weight	Catalog Page	Part Number	Price Code	Ship Weight	Catalog Page
SCE-907224FSD	A2	773	136	SCE-90SMP30	p3	69	148
SCE-907224FSDAD	A2	743	142	SCE-90SP36F3	P2	123	149
SCE-907224SSFSD	S2	772	308	SCE-90SP36F4	P2	68	149
SCE-907236FSD	A2	940	136	SCE-90XD4018	A2	670	172
SCE-907236SSFSD	S2	937	308	SCE-90XD4018G	A2	670	172
SCE-90EL2420FS	A2	330	134	SCE-90XD4018SS	S2	600	322
SCE-90EL2420SS6FS	S4	330	304	SCE-90XD4018SS6	S2	600	322
SCE-90EL2420SSFS	S4	330	304	SCE-90XD4EW18	A2	2080	173
SCE-90EL3620SS6FS	S4	455	304	SCE-90XD4EW18G	A2	2080	173
SCE-90EL3620SSFS	S4	455	304	SCE-90XD5EW18	A2	2650	173
SCE-90EL3624FS	A2	475	134	SCE-90XD5EW18G	A2	2650	173
SCE-90EL3624SS6FS	S4	470	304	SCE-90XD6EW18	A2	2410	173
SCE-90EL3624SSFS	S4	470	304	SCE-90XD6EW18G	A2	2410	173
SCE-90EL3636SS6FS	S4	595	304	SCE-90XD7818	A2	1155	172
SCE-90EL3636SSFS	S4	575	304	SCE-90XD7818G	A2	1175	172
SCE-90EL4820FSD	A2	560	138	SCE-90XD7818SS	S2	1040	322
SCE-90EL4820SS6FSD	S4	550	306	SCE-90XD7818SS6	S2	1040	322
SCE-90EL4820SSFSD	S4	550	306	SCE-90XM3EW24	A2	1625	166
SCE-90EL7220FSD	A2	770	138	SCE-90XM3EW24G	A2	1625	166
SCE-90EL7220SS6FSD	S4	750	306	SCE-90XM3EW24SS	S2	1450	316
SCE-90EL7220SSFSD	S4	750	306	SCE-90XM3EW24SS6	S2	1450	316
SCE-90EL7224FSD	A2	815	138	SCE-90XM4018	A2	575	164
SCE-90EL7224SS6FSD	S4	782	306	SCE-90XM4018G	A2	575	164
SCE-90EL7224SSFSD	S4	791.67	306	SCE-90XM4018SS	S2	515	314
SCE-90EL7236FSD	A2	955	138	SCE-90XM4018SS6	S2	512	314
SCE-90EL7236SS6FSD	S4	950	306	SCE-90XM4020SS	S2	550	314
SCE-90EL7236SSFSD	S4	950	306	SCE-90XM4020SS6	S2	540	314
SCE-90FP	P3	38	193	SCE-90XM4024	A2	635	164
SCE-90FSCPS	P2	29	151	SCE-90XM4024G	A2	635	164
SCE-90FSCS	P2	29	151	SCE-90XM4024SS	S2	585	314
SCE-90FSHDPS	P2	29	151	SCE-90XM4024SS6	S2	585	314
SCE-90P24F1	p3	59	148	SCE-90XM4EW18	A2	2000	167
SCE-90P24F2	p3	33	148	SCE-90XM4EW18G	A2	2000	167
SCE-90P36F1	p3	89	148	SCE-90XM4EW18SS	S2	1800	316
SCE-90P36F2	p3	46	148	SCE-90XM4EW18SS6	S2	1800	316
SCE-90P48F1	P3	145	148	SCE-90XM4EW24	A2	2050	167
SCE-90P48F2	p3	75	148	SCE-90XM4EW24G	A2	2050	167
SCE-90P60F1	P3	276.03	148	SCE-90XM4EW24SS	S2	1925	316
SCE-90P72F1	P3	230	148	SCE-90XM4EW24SS6	S2	1925	316
SCE-90P72F1GALV	P3	263.48	148	SCE-90XM5EW18	A2	2600	167
SCE-90P72F2	p3	131	148	SCE-90XM5EW18G	A2	2600	167
SCE-90RA19TH	P2	24	150	SCE-90XM5EW18SS	S2	2340	317
SCE-90RP24F5	P2	27	150	SCE-90XM5EW18SS6	S2	2340	317
SCE-90RP24F6	P2	14	150	SCE-90XM5EW24	A2	2700	167
SCE-90SMP14	p3	37	148	SCE-90XM5EW24G	A2	2700	167
SCE-90SMP20	p3	58	148	SCE-90XM5EW24SS	S2	2400	317



Your Enclosure Source®

Part Number	Price Code	Ship Weight	Catalog Page	Part Number	Price Code	Ship Weight	Catalog Page
SCE-90XM5EW24SS6	S2	2400	317	SCE-9PBSS	S1	8	252
SCE-90XM6EW24	A2	3100	167	SCE-9PBSS6	S1	8	252
SCE-90XM6EW24G	A2	3100	167	SCE-9PBSS6I	S1	8	254
SCE-90XM6EW24SS	S2	2790	317	SCE-9PBSSI	S1	8	254
SCE-90XM6EW24SS6	S2	2790	317	SCE-9PBX	A1	9	60
SCE-90XM7818	A2	1050	165	SCE-9PBXI	A1	8	62
SCE-90XM7818G	A2	1050	165	SCE-ABDCP	P2	1	417
SCE-90XM7818SS	S2	945	315	SCE-AC1000B120V	P1	35	354
SCE-90XM7818SS6	S2	945	315	SCE-AC1000B120VSS	P1	35	354
SCE-90XM7824	A2	1100	165	SCE-AC1000B120VSS6	P1	35	354
SCE-90XM7824G	A2	1100	165	SCE-AC1000B230V	P1	35	354
SCE-90XM7824SS	S2	1025	315	SCE-AC1000B230VSS	P1	35	354
SCE-90XM7824SS6	S2	1025	315	SCE-AC1000B230VSS6	P1	35	354
SCE-90XR4018	A2	670	180	SCE-AC10200B230V	P1	169.4	362
SCE-90XR4018G	A2	670	180	SCE-AC10200B230VSS	P1	169.4	362
SCE-90XR4EW18	A2	2080	181	SCE-AC10200B230VSS6	P1	169.4	362
SCE-90XR4EW18G	A2	2080	181	SCE-AC10200B460V3	P1	176	362
SCE-90XR5EW18	A2	2650	181	SCE-AC10200B460V3SS	P1	169.4	362
SCE-90XR5EW18G	A2	2650	181	SCE-AC10200B460V3SS6	P1	169.4	362
SCE-90XR6EW18	A2	2410	181	SCE-AC10BF1	P2	3	465
SCE-90XR6EW18G	A2	2410	181	SCE-AC13650B230V	P1	169.4	364
SCE-90XR7818	A2	1155	180	SCE-AC13650B230VSS	P1	169.4	364
SCE-90XR7818G	A2	1175	180	SCE-AC13650B230VSS6	P1	169.4	364
SCE-924B	C1	114	22	SCE-AC13650B460V3	P1	176	364
SCE-936B	C1	153	22	SCE-AC13650B460V3SS	P1	176	364
SCE-9KJ0804SSST	S8	9	282	SCE-AC13650B460V3SS6	P1	176	364
SCE-9N12MP	P3	2	124	SCE-AC1870B120V	P1	71.5	356
SCE-9N18MP	P3	3	124	SCE-AC1870B120VSS	P1	71.5	356
SCE-9N24MP	P3	3.65	124	SCE-AC1870B120VSS6	P1	71.5	356
SCE-9N30MP	P3	4.6	124	SCE-AC1870B230V	P1	68.2	356
SCE-9N36MP	P3	5.5	124	SCE-AC1870B230VSS	P1	68.2	356
SCE-9P12L	P3	3	449	SCE-AC1870B230VSS6	P1	68.2	356
SCE-9P18L	P3	3	449	SCE-AC1870B460V	P1	71.5	356
SCE-9P24L	P3	4	449	SCE-AC1870B460VSS	P1	71.5	356
SCE-9P30L	P3	4	449	SCE-AC1870B460VSS6	P1	71.5	356
SCE-9P36L	P3	6	449	SCE-AC18BF1	P2	3	465
SCE-9PB	A1	8	56	SCE-AC21160B460V3	P1	188	366
SCE-9PBA	A1	10	70	SCE-AC21160B460V3SS	P1	188	366
SCE-9PBAI	A1	10	72	SCE-AC2550B120V	P1	71.5	356
SCE-9PBGX	A1	5.4	64	SCE-AC2550B120VSS	P1	71.5	356
SCE-9PBH	A1	12.8	66	SCE-AC2550B120VSS6	P1	71.5	356
SCE-9PBHI	A1	10	68	SCE-AC2550B230V	P1	68.2	356
SCE-9PBHSS	S1	10	256	SCE-AC2550B230VSS	P1	68.2	356
SCE-9PBHSS6	S1	10	256	SCE-AC2550B230VSS6	P1	68.2	356
SCE-9PBHSS6I	S1	10	258	SCE-AC2550B460V	P1	71.5	356
SCE-9PBHSSI	S1	10	258	SCE-AC2550B460VSS	P1	71.5	356
SCE-9PBI	A1	8	58	SCE-AC2550B460VSS6	P1	71.5	356



Part Number	Price Code	Ship Weight	Catalog Page	Part Number	Price Code	Ship Weight	Catalog Page
SCE-AC3400B120V	P1	91.3	358	SCE-ASPBG-RAL7035	P2	0.05	418
SCE-AC3400B120VSS	P1	91.3	358	SCE-ASPBG-SS	P2	0.25	418
SCE-AC3400B120VSS6	P1	91.3	358	SCE-ASPB-RAL7035	P2	0.1	418
SCE-AC3400B230V	P1	85.8	358	SCE-ASPB-SS	P2	0.1	418
SCE-AC3400B230VSS	P1	85.8	358	SCE-AUHK	P2	2	49
SCE-AC3400B230VSS6	P1	85.8	358	SCE-AVK23	P2	1	403
SCE-AC3400B460V	P1	91.3	358	SCE-AVK23SS	P2	1	403
SCE-AC3400B460VSS	P1	91.3	358	SCE-AVK33	P2	1	403
SCE-AC3400B460VSS6	P1	91.3	358	SCE-AVK33SS	P2	1	403
SCE-AC5100B120V	P1	113.3	360	SCE-AVK34	P2	1	403
SCE-AC5100B120VSS	P1	113.3	360	SCE-AVK34SS	P2	1	403
SCE-AC5100B120VSS6	P1	113.3	360	SCE-AVK43	P2	1	403
SCE-AC5100B230V	P1	108.9	360	SCE-AVK43SS	P2	1	403
SCE-AC5100B230VSS	P1	108.9	360	SCE-AVK44	P2	1	403
SCE-AC5100B230VSS6	P1	108.9	360	SCE-AVK44SS	P2	1	403
SCE-AC5100B460V	P1	113.3	360	SCE-AVK64	P2	1	403
SCE-AC5100B460VSS	P1	113.3	360	SCE-AVK64SS	P2	1	403
SCE-AC5100B460VSS6	P1	113.3	360	SCE-AVK66	P2	2	403
SCE-AC51BF1	P2	3	465	SCE-AVK66SS	P2	2	403
SCE-AC6800B120V	P1	113.3	360	SCE-AVK812	P2	3	403
SCE-AC6800B120VSS	P1	113.3	360	SCE-AVK812SS	P2	3	403
SCE-AC6800B120VSS6	P1	113.3	360	SCE-AVK84	P2	2	403
SCE-AC6800B230V	P1	108.9	360	SCE-AVK84SS	P2	2	403
SCE-AC6800B230VSS	P1	108.9	360	SCE-AVK86	P2	2	403
SCE-AC6800B230VSS6	P1	108.9	360	SCE-AVK86SS	P2	2	403
SCE-AC6800B460V3	P1	113.3	360	SCE-AVK88	P2	3	403
SCE-AC6800B460V3SS	P1	133.3	360	SCE-AVK88SS	P2	3	403
SCE-AC6800B460V3SS6	P1	133.3	360	SCE-AW1208SG	P2	3.5	455
SCE-AC8500B120V	P1	169.4	362	SCE-AW1812SG	P2	6.75	455
SCE-AC8500B120VSS	P1	113.3	362	SCE-AW2016SG	P2	9.5	455
SCE-AC8500B120VSS6	P1	113.3	362	SCE-AW2620SG	P2	14.5	455
SCE-AC8500B230V	P1	165	362	SCE-AW6020SG	P2	31.75	455
SCE-AC8500B230VSS	P1	165	362	SCE-BP115	P1	12	397
SCE-AC8500B230VSS6	P1	165	362	SCE-BP1805LG	P5	65	210
SCE-AC8500B460V	P1	171.6	362	SCE-BP1806LG	P5	110	210
SCE-AC8500B460VSS	P1	171.6	362	SCE-BP2005LG	P5	88	210
SCE-AC8500B460VSS6	P1	171.6	362	SCE-BP2006LG	P5	113	210
SCE-AC85BF1	P2	4	465	SCE-BP2108	P2	5.6	453
SCE-APH	P2	1	407	SCE-BP230	P1	12	397
SCE-ARK36	P2	4	407	SCE-BP2710	P2	9.6	453
SCE-ARK39	P2	3.56	407	SCE-BP3212	P2	11.02	453
SCE-ASPB-05	P2	0.1	418	SCE-BP3312	P2	12.26	453
SCE-ASPB-09	P2	0.1	418	SCE-BP3316	P2	19.25	453
SCE-ASPB-09-25	V1	3	418	SCE-BP3812	P2	13.09	453
SCE-ASPBG-05	P2	0.1	418	SCE-BP3912	P2	13.44	453
SCE-ASPBG-09	P2	0.1	418	SCE-BP4412	P2	15.16	453
SCE-ASPBG-09-25	V1	3	418	SCE-BP5612	P2	18	453



Your Enclosure Source®

Part Number	Price Code	Ship Weight	Catalog Page	Part Number	Price Code	Ship Weight	Catalog Page
SCE-BP5618	P2	24	453	SCE-DF2006	P5	66	215
SCE-BP5624	P2	33	453	SCE-DF2008	P5	68	215
SCE-BP5712	P2	19.65	453	SCE-DF2009	P5	77	215
SCE-BP6018	P2	26	453	SCE-DF2010	P5	82	215
SCE-BP6024	P2	34	453	SCE-DF20EL16LP	P2	12	450
SCE-BP6812	P2	22	453	SCE-DF20EL20LP	P2	10	450
SCE-BP6818	P2	31	453	SCE-DF24EL20LP	P2	13.5	450
SCE-BP6824	P2	40	453	SCE-DF24EL24LP	P2	15	450
SCE-BP7212	P2	24.83	453	SCE-DF30EL20LP	P2	22	450
SCE-BP7218	P2	31	453	SCE-DF30EL24LP	P2	19	450
SCE-BP7224	P2	41	453	SCE-DF30EL30LP	P2	36.67	450
SCE-BP7818	P2	33.47	453	SCE-DF36EL20LP	P2	22	450
SCE-BP7820	P2	95	453	SCE-DF36EL24LP	P2	19.1	450
SCE-BP7824	P2	48	453	SCE-DF36EL30LP	P2	22.25	450
SCE-BPEX12	P2	2.3	453	SCE-DF36EL36LP	P2	27.5	450
SCE-BPEX18	P2	2.35	453	SCE-DF42EL24LP	P2	20	450
SCE-BPEX24	P2	3.39	453	SCE-DF42EL30LP	P2	24	450
SCE-BPIC	P2	0.95	453	SCE-DF42EL36LP	P2	26	450
SCE-BSW19SS	P2	1	463	SCE-DF48EL24LP	P2	45	450
SCE-BSW25SS	P2	1	463	SCE-DF48EL36LP	P2	39.7	450
SCE-BSW31SS	P2	1	463	SCE-DF48EL48	P2	57.5	451
SCE-BSW38SS	P2	1	463	SCE-DF6048	P2	48	451
SCE-BVK	P2	0.2	397	SCE-DF6060	P2	66	451
SCE-BVKD	P2	0.25	397	SCE-DF60EL36LP	P2	88	450
SCE-CAKR	P2	8	434	SCE-DF60EL48	P2	46.96	451
SCE-CAKR4	P2	9	434	SCE-DF60EL60	P2	62.31	451
SCE-CAKS	P2	8	434	SCE-DF7260	P2	75	451
SCE-CAKS4	P2	9	434	SCE-DF7272	P2	88	451
SCE-CBL15	P2	0.08	20	SCE-DF72EL36LP	P2	94	450
SCE-CBL20	P2	0.1	20	SCE-DF72EL60	P2	62.5	451
SCE-CF10	P1	5.5	401	SCE-DF72EL72	P2	93.13	451
SCE-CF10-230	P1	5.5	401	SCE-DFJ1008	P2	6	450
SCE-CF4	P1	3	401	SCE-DFJ1210	P2	9	450
SCE-CF4-230	P1	2	401	SCE-DFJ1212	P2	10	450
SCE-CF6	P1	2.5	401	SCE-DFJ1412	P2	11	450
SCE-CF6-230	P1	2.5	401	SCE-DFJ1614	P2	13	450
SCE-CHCLAMP	P2	1	407	SCE-DFJ2016	P2	15	450
SCE-CHCLAMPSS	P2	1	407	SCE-DHA12	P2	0	465
SCE-CN1032	P2	1	41	SCE-DHA12SS	P2	0	465
SCE-CTEM	P1	0.15	396	SCE-DHA14	P2	0.48	465
SCE-DCP	P2	1	417	SCE-DHA14SS	P2	0	465
SCE-DCPSS	P2	1	417	SCE-DL5MDB	P2	1	404
SCE-DF1806	P5	61	215	SCE-DL5MDBB	P2	1	404
SCE-DF1808	P5	68	215	SCE-DL7SC	P2	1	404
SCE-DF1809	P5	73	215	SCE-DL7TE	P2	1	404
SCE-DF1810	P5	78	215	SCE-DL8SB	P2	1	404

Part Number	Price Code	Ship Weight	Catalog Page	Part Number	Price Code	Ship Weight	Catalog Page
SCE-DL8SC	P2	1	404	SCE-DS72N4	P2	7	412
SCE-DLCA	P2	1	404	SCE-DS72SS	P2	7	412
SCE-DLKLD	P2	1	404	SCE-DS72SS6	P2	5.83	412
SCE-DLKLDB	P2	1	404	SCE-DSTOPK	P2	2	410
SCE-DLKLDB-25	V1	2.93	404	SCE-E115I	P2	2.8	416
SCE-DLSB	P2	0.32	404	SCE-E24I	P2	2	416
SCE-DLSBB	P2	1	404	SCE-E460I	P2	2	416
SCE-DLSBPA	P2	0.5	405	SCE-EKDF	P2	1	416
SCE-DLSSB	P2	1	404	SCE-ELFM12H	P2	3	432
SCE-DLWKC	P2	1	404	SCE-ELFM12HSS	P2	3	432
SCE-DLWKF	P2	1	404	SCE-ELFM12W	P2	3	432
SCE-DLWKF-25	V1	5.35	404	SCE-ELFM12WSS	P2	3	432
SCE-DS12N4	P2	2	412	SCE-ELFM16H	P2	3	432
SCE-DS12N4LG	P2	2	412	SCE-ELFM16HSS	P2	3	432
SCE-DS12SS	P2	2	412	SCE-ELFM16W	P2	3	432
SCE-DS12SS6	P2	1.2	412	SCE-ELFM16WSS	P2	3	432
SCE-DS16N4	P2	2	412	SCE-ELFM20H	P2	3	432
SCE-DS16N4LG	P2	2	412	SCE-ELFM20HSS	P2	4	432
SCE-DS16SS	P2	2	412	SCE-ELFM20W	P2	4	432
SCE-DS16SS6	P2	1.05	412	SCE-ELFM20WSS	P2	4	432
SCE-DS20N4	P2	3	412	SCE-ELFM24H	P2	3.98	432
SCE-DS20N4LG	P2	3	412	SCE-ELFM24HSS	P2	4	432
SCE-DS20SS	P2	3	412	SCE-ELFM24W	P2	4	432
SCE-DS20SS6	P2	1.5	412	SCE-ELFM24WSS	P2	4	432
SCE-DS24N4	P2	4	412	SCE-ELFM30H	P2	5	432
SCE-DS24N4LG	P2	4	412	SCE-ELFM30HSS	P2	5	432
SCE-DS24SS	P2	3	412	SCE-ELFM30W	P2	5	432
SCE-DS24SS6	P2	1.55	412	SCE-ELFM30WSS	P2	5	432
SCE-DS30N4	P2	4	412	SCE-ELFM36H	P2	6	432
SCE-DS30N4LG	P2	4	412	SCE-ELFM36HSS	P2	6	432
SCE-DS30SS	P2	4	412	SCE-ELFM36W	P2	6	432
SCE-DS30SS6	P2	3.56	412	SCE-ELFM36WSS	P2	6	432
SCE-DS36N4	P2	4	412	SCE-ELFP	P2	1	407
SCE-DS36N4-05	P2	4	412	SCE-ELJHINGE	P2	0.04	463
SCE-DS36N4LG	P2	4	412	SCE-ELJMFK	P2	1	435
SCE-DS36SS	P2	4	412	SCE-ELJMFKSS-OS	P2	1	435
SCE-DS36SS6	P2	8	412	SCE-ELKL	P2	1	406
SCE-DS42N4	P2	5	412	SCE-ELKLT	P2	1	404
SCE-DS42SS	P2	5	412	SCE-ELMFK4	P2	2	435
SCE-DS42SS6	P2	3.6	412	SCE-ELMFK4-25	V1	13.05	435
SCE-DS48N4	P2	5	412	SCE-ELMFK4SS6-OS	P2	0.7	435
SCE-DS48SS	P2	5	412	SCE-ELMFK6	P2	3	435
SCE-DS48SS6	P2	3.85	412	SCE-ELPL	P2	1	406
SCE-DS60N4	P2	5	412	SCE-ELSP	P2	6	452
SCE-DS60SS	P2	5	412	SCE-ELSP3	P2	7	452
SCE-DS60SS6	P2	7.7	412	SCE-EMG	P5	2	213

Part Number	Price Code	Ship Weight	Catalog Page	Part Number	Price Code	Ship Weight	Catalog Page
SCE-EMIG	P2	3	461	SCE-FK1210	P2	27	436
SCE-EP1805LG	P5	37	210	SCE-FK1210LG	P2	27	436
SCE-EP1806LG	P5	44	210	SCE-FK1210SS	P2	27	437
SCE-EP2005LG	P5	49	210	SCE-FK1212	P2	29	436
SCE-EP2006LG	P5	49	210	SCE-FK1212LG	P2	29	436
SCE-ETHCK	P1	2	397	SCE-FK1212SS	P2	30	437
SCE-EXD12	P2	107.5	458	SCE-FK1212SS6	P2	30	437
SCE-EXD18	P2	110	458	SCE-FK1214	P2	30	436
SCE-EXD18SS	P2	95	458	SCE-FK1214-05	P2	30	436
SCE-EXR12-30T200	P2	48	459	SCE-FK1216	P2	34	436
SCE-EXR18-400	P2	115	459	SCE-FK1216-05	P2	34	436
SCE-FA1010	P1	13	399	SCE-FK1216LG	P2	34	436
SCE-FA1010-230	P1	11.56	399	SCE-FK1216SS	P2	36	437
SCE-FA1010-24VDC	P1	10.43	399	SCE-FK1216SS6	P2	35.3	437
SCE-FA44	P1	3	399	SCE-FK1218	P2	41	436
SCE-FA44-230	P1	3	399	SCE-FK1218LG	P2	41	436
SCE-FA44-24VDC	P1	2.6	399	SCE-FK1218SS	P2	42	437
SCE-FA66	P1	4	399	SCE-FK1218SS6	P2	42	437
SCE-FA66-230	P1	4	399	SCE-FK1220	P2	42	436
SCE-FA66-24VDC	P1	4	399	SCE-FK1220LG	P2	42	436
SCE-FGA1010	P1	2	400	SCE-FK1220SS	P2	40	437
SCE-FGA44	P1	3	400	SCE-FK1224	P2	43	436
SCE-FGA66	P1	4	400	SCE-FK1224LG	P2	43	436
SCE-FGABP	P1	3	397	SCE-FK1224SS	P2	44	437
SCE-FK0418	P2	22.5	436	SCE-FK1224SS6	P2	44	437
SCE-FK0418LG	P2	22.5	436	SCE-FK1512	P2	42	436
SCE-FK0608	P2	15	436	SCE-FK1512LG	P2	42	436
SCE-FK0608LG	P2	15	436	SCE-FK1512SS	P2	43	437
SCE-FK0610	P2	17	436	SCE-FK1512SS6	P2	43	437
SCE-FK0610LG	P2	17	436	SCE-FK1516	P2	43	436
SCE-FK0612	P2	19	436	SCE-FK1516LG	P2	43	436
SCE-FK0612LG	P2	19	436	SCE-FK1518	P2	45	436
SCE-FK0614	P2	22	436	SCE-FK1518LG	P2	45	436
SCE-FK0616	P2	23.44	436	SCE-FK1518SS	P2	47	437
SCE-FK0616SS	P2	23.09	437	SCE-FK1518SS6	P2	47	437
SCE-FK0618	P2	30	436	SCE-FK1524	P2	46	436
SCE-FK0618LG	P2	30	436	SCE-FK1524LG	P2	46	436
SCE-FK0618SS	P2	25.15	437	SCE-FK1524SS	P2	52	437
SCE-FK0620	P2	27.2	436	SCE-FK1524SS6	P2	50	437
SCE-FK0624	P2	33	436	SCE-FK1808	P2	31	436
SCE-FK0624LG	P2	33	436	SCE-FK1808LG	P2	31	436
SCE-FK0624SS	P2	30.5	437	SCE-FK1810	P2	35	436
SCE-FK0636	P2	48	436	SCE-FK1810LG	P2	35	436
SCE-FK1208	P2	23	436	SCE-FK1812	P2	37	436
SCE-FK1208LG	P2	23	436	SCE-FK1812LG	P2	37	436
SCE-FK1208SS	P2	24	437	SCE-FK1812SS	P2	39.71	437

Part Number	Price Code	Ship Weight	Catalog Page	Part Number	Price Code	Ship Weight	Catalog Page
SCE-FK1816	P2	45	436	SCE-FS2424SS	P2	27.7	413
SCE-FK1816LG	P2	45	436	SCE-FSH	P2	1	406
SCE-FK1818	P2	53.4	436	SCE-FSH3DB	P2	1	406
SCE-FK1818SS	P2	48.8	437	SCE-FSH5DB	P2	1	406
SCE-FK1818SS6	P2	70	437	SCE-FSH7S	P2	0	406
SCE-FK1824	P2	47	436	SCE-FSH8S	P2	1	406
SCE-FK1824LG	P2	47	436	SCE-FSHC	P2	1	406
SCE-FK2408	P2	41.4	436	SCE-FSHK	P2	1	406
SCE-FK2410	P2	45.59	436	SCE-FSPS4	P2	4	42
SCE-FK2410SS	P2	45	437	SCE-FSPS6	P2	6	42
SCE-FK2412	P2	49	436	SCE-FSPS8	P2	9	42
SCE-FK2412LG	P2	49	436	SCE-GA14X1	P2	2	461
SCE-FK2412SS	P2	49	437	SCE-GA14X75	P2	2	461
SCE-FK2412SS6	P2	49.29	437	SCE-GA18X50	P2	2	461
SCE-FK2416	P2	59.77	436	SCE-GARD10	P2	1	401
SCE-FK2416SS	P2	58.33	437	SCE-GARD4	P2	1	401
SCE-FLT33	P2	1	403	SCE-GARD6	P2	1	401
SCE-FLT34	P2	1	403	SCE-GASS08	P2	3	465
SCE-FLT43	P2	1	403	SCE-GASS16	P2	5	465
SCE-FLT44	P2	1	403	SCE-GB10	P2	2	410
SCE-FLT64	P2	1	403	SCE-GMA	P5	1	215
SCE-FLT66	P2	2	403	SCE-GP08	P2	2	211
SCE-FLT812	P2	2	403	SCE-GP16	P2	2	211
SCE-FLT84	P2	2	403	SCE-GS808	P2	1	410
SCE-FLT86	P2	2	403	SCE-GS808-25	P2	4	410
SCE-FLT88	P2	2	403	SCE-H350	P1	0.33	402
SCE-FMA	P5	8	215	SCE-HA1010	P6	9	456
SCE-FMG	P5	6	213	SCE-HA1010-05	P6	9	456
SCE-FMG05	P5	8	213	SCE-HA1010LG	P6	9	456
SCE-FMG06	P5	9	213	SCE-HA1010SS	P6	9	456
SCE-FMG08	P5	7	213	SCE-HA1014	P6	9.63	456
SCE-FMG09	P5	7	213	SCE-HA1014SS	P6	10.01	456
SCE-FMG10	P5	12	213	SCE-HA1212	P6	14	456
SCE-FP18G	P5	16	213	SCE-HA1212-05	P6	14	456
SCE-FP20G	P5	18	213	SCE-HA1212LG	P6	14	456
SCE-FS1212	P2	9.32	413	SCE-HA1212SS	P6	14	456
SCE-FS1212-09	P2	9.32	413	SCE-HA1216	P6	12.34	456
SCE-FS1212LG	P2	9.32	413	SCE-HA1216SS	P6	12.85	456
SCE-FS1212SS	P2	10.47	413	SCE-HA1418	P6	15.35	456
SCE-FS1218	P2	12.36	413	SCE-HA1418SS	P6	10.4	456
SCE-FS1818	P2	17	413	SCE-HA1620	P6	18.73	456
SCE-FS1818-09	P2	17	413	SCE-HA1620SS	P6	19.51	456
SCE-FS1818LG	P2	17	413	SCE-HA1814	P6	18	456
SCE-FS1818SS	P2	16.96	413	SCE-HA1814LG	P6	18	456
SCE-FS2424	P2	25	413	SCE-HA1814SS	P6	18	456
SCE-FS2424-09	P2	25	413	SCE-HDWMK	P2	2.05	434



Your Enclosure Source®

Part Number	Price Code	Ship Weight	Catalog Page	Part Number	Price Code	Ship Weight	Catalog Page
SCE-HDWMKSS	P2	2.95	434	SCE-HWK2218SS	P6	18	456
SCE-HE04W120V	P1	14.08	392	SCE-HWK2228	P6	24	456
SCE-HE08W120V	P1	28.6	392	SCE-HWK2228LG	P6	24	456
SCE-HE18W120V	P1	28.6	393	SCE-HWK2228SS	P6	25	456
SCE-HE24W120V	P1	39.6	393	SCE-HWK2822	P6	24	456
SCE-HF1251A	P1	4	402	SCE-HWK2822LG	P6	24	456
SCE-HF1252A	P1	4	402	SCE-HWK2822SS	P6	26	456
SCE-HF2001A	P1	4	402	SCE-HYGRO	P1	0.25	396
SCE-HF2002A	P1	4	402	SCE-IMSBK	P5	3	216
SCE-HF4001B	P1	4	402	SCE-K333	P2	0.3	463
SCE-HF4002B	P1	4	402	SCE-KBH	C2	35	44
SCE-HF8001B	P1	4	402	SCE-KBS	P2	23	44
SCE-HF8002B	P1	4	402	SCE-KBS32	P2	8	44
SCE-HLPMFK	P2	0	435	SCE-KC101	P2	0.5	463
SCE-HMG175	P5	4	214	SCE-KLB	P2	4	460
SCE-HMG225	P5	5	214	SCE-KLWN	P2	1	404
SCE-HMG300	P5	6	214	SCE-KLWNB	P2	1	404
SCE-HMG400	P5	1.48	214	SCE-L	P2	0.25	406
SCE-HMG475	P5	8	214	SCE-L9126ELJ	E1	8.9	80
SCE-HMG575	P5	16	214	SCE-L9126ELJLG	E1	8.9	82
SCE-HMG675	P5	18	214	SCE-L9126ELJSS	S6	9	264
SCE-HMG775	P5	35	214	SCE-L9126ELJW	E1	6	84
SCE-HMICP	P2	0.5	49	SCE-L9126ELJWSS	S6	6	266
SCE-HMIKBS	P2	16.91	48	SCE-L9128ELJ	E1	9.58	80
SCE-HMIKBSSS	P2	17.05	48	SCE-L9128ELJLG	E1	9.58	82
SCE-HMIPH5	P2	2	49	SCE-L9128ELJSS	S6	9.66	264
SCE-HPSERIES1	P2	0.1	418	SCE-L9128ELJW	E1	9.58	84
SCE-HPSERIES15	P2	0.1	418	SCE-L9128ELJWSS	S6	9.66	266
SCE-HPSERIES2	P2	0.1	418	SCE-L9186ELJ	E1	9	80
SCE-HPSERIES2-25	V1	3	418	SCE-L9186ELJLG	E1	9	82
SCE-HPSERIES3	P2	0.1	418	SCE-L9186ELJSS	S6	9	264
SCE-HPSERIES4	P2	0.1	418	SCE-L9186ELJW	E1	9	84
SCE-HS2S	P2	0.2	418	SCE-L9186ELJWSS	S6	9	266
SCE-HWK1014	P6	9.63	456	SCE-L9188ELJ	E1	13.13	80
SCE-HWK1014SS	P6	8	456	SCE-L9188ELJLG	E1	13.13	82
SCE-HWK1212	P6	9	456	SCE-L9188ELJSS	S6	13.23	264
SCE-HWK1212LG	P6	9	456	SCE-L9188ELJW	E1	13.13	84
SCE-HWK1212SS	P6	10	456	SCE-L9188ELJWSS	S6	13.23	266
SCE-HWK1216	P6	8.35	456	SCE-L9246ELJ	E1	11	80
SCE-HWK1216SS	P6	7.9	456	SCE-L9246ELJLG	E1	11	82
SCE-HWK1312	P6	6.6	456	SCE-L9246ELJSS	S6	11	264
SCE-HWK1418	P6	14.47	456	SCE-L9246ELJW	E1	11	84
SCE-HWK1418SS	P6	10.95	456	SCE-L9246ELJWSS	S6	11	266
SCE-HWK1620	P6	18.73	456	SCE-L9248ELJ	E1	16.67	80
SCE-HWK1620SS	P6	19.51	456	SCE-L9248ELJLG	E1	16.67	82
SCE-HWK1814	P6	15	456	SCE-L9248ELJSS	S6	16.8	264
SCE-HWK1814LG	P6	15	456	SCE-L9248ELJW	E1	16.67	84
SCE-HWK1814SS	P6	16	456	SCE-L9248ELJWSS	S6	16.8	266
SCE-HWK2218	P6	16	456	SCE-L9306ELJ	E1	16	80
SCE-HWK2218LG	P6	16	456	SCE-L9306ELJLG	E1	16	82

Part Number	Price Code	Ship Weight	Catalog Page	Part Number	Price Code	Ship Weight	Catalog Page
SCE-L9306ELJSS	S6	16	264	SCE-MDV	P2	2.5	461
SCE-L9306ELJW	E1	16	84	SCE-MDV400	P2	1	461
SCE-L9306ELJWSS	S6	16	266	SCE-MINQ	P2	1	405
SCE-L9308ELJ	E1	20.21	80	SCE-MINQ6MS	P2	1	405
SCE-L9308ELJLG	E1	20.21	82	SCE-MINQB	P2	1	405
SCE-L9308ELJSS	S6	20.37	264	SCE-MINQK	P2	1	405
SCE-L9308ELJW	E1	20.21	84	SCE-MINQKLB	P2	1	405
SCE-L9308ELJWSS	S6	20.37	266	SCE-MINQLB	P2	1	405
SCE-L9366ELJ	E1	20	80	SCE-MINQLB-25	V1	5	405
SCE-L9366ELJLG	E1	20	82	SCE-MINQPL	P2	1	405
SCE-L9366ELJSS	S6	20	264	SCE-MINQSS	P2	0.75	405
SCE-L9366ELJW	E1	20	84	SCE-MOD724018	A2	450	192
SCE-L9366ELJWSS	S6	20	266	SCE-MOD724018G	A2	448	192
SCE-L9368ELJ	E1	23.75	80	SCE-MOD727718	A2	480	192
SCE-L9368ELJLG	E1	23.75	82	SCE-MOD727718G	A2	810	192
SCE-L9368ELJSS	S6	23.94	264	SCE-MOD72EPT	P2	69	193
SCE-L9368ELJW	E1	23.75	84	SCE-MOD72FEP	P2	69	193
SCE-L9368ELJWSS	S6	23.94	266	SCE-MOD72FTPT	P2	51	193
SCE-L9N126LP	N1	10.25	124	SCE-MOD72X4018	A2	510	192
SCE-L9N128LP	N1	12.1	124	SCE-MOD72X4018G	A2	477	192
SCE-L9N186LP	N1	14.1	124	SCE-MOD72X7818	A2	915	192
SCE-L9N188LP	N1	16.5	124	SCE-MOD72X7818G	A2	845	192
SCE-L9N246LP	N1	18.1	124	SCE-MOD8424EPT	P2	89	193
SCE-L9N248LP	N1	20.8	124	SCE-MOD8424FEP	P2	73	193
SCE-L9N306LP	N1	21.8	124	SCE-MOD8424FTPT	P2	73	193
SCE-L9N308LP	N1	25.5	124	SCE-MOD844018	A2	480	192
SCE-L9N366LP	N1	25.9	124	SCE-MOD844018G	A2	495	192
SCE-L9N368LP	N1	29.7	124	SCE-MOD844024	A2	580	192
SCE-LEDB18	P2	1	464	SCE-MOD847718	A2	880	192
SCE-LEDB18DC	P2	0.55	464	SCE-MOD847718G	A2	920	192
SCE-LEDB24	P2	1	464	SCE-MOD847724	A2	960	192
SCE-LF18	P2	6	414	SCE-MOD847724G	A2	960	192
SCE-LF1824VDC	P2	6	414	SCE-MOD84EPT	P2	73	193
SCE-LF18NO	P2	6	414	SCE-MOD84FEP	P2	89	193
SCE-LF24	P2	7	414	SCE-MOD84FTPT	P2	60	193
SCE-LF24NO	P2	7	414	SCE-MOD84X4018	A2	530	192
SCE-LLB5	P2	0.93	434	SCE-MOD84X4018G	A2	530	192
SCE-LLB5-25	V1	30	434	SCE-MOD84X4024	A2	650	192
SCE-LLB5SS	P2	0.92	434	SCE-MOD84X4024G	A2	5675	192
SCE-LLB7	P2	2.26	434	SCE-MOD84X7818	A2	955	192
SCE-LPCLAMP	P2	1	407	SCE-MOD84X7818G	A2	965	192
SCE-LPCLAMPSS	P2	1	407	SCE-MOD84X7824	A2	1075	192
SCE-LPD2	P2	1	42	SCE-MOD84X7824G	A2	1075	192
SCE-LPQR	P2	1	407	SCE-MODGK	P2	5	193
SCE-LRA18	P5	13	213	SCE-MST10	P2	2	433
SCE-LRA20	P5	15	213	SCE-MST12	P2	2	433
SCE-LSA	P2	1	414	SCE-MST16	P2	3	433
SCE-LSMB	P2	1	414	SCE-MST20	P2	4	433
SCE-MDMI	P5	2	216	SCE-MST24	P2	4	433
SCE-MDMI2	P5	3	216	SCE-MST4	P2	1	433

Part Number	Price Code	Ship Weight	Catalog Page	Part Number	Price Code	Ship Weight	Catalog Page
SCE-MST6	P2	1	433	SCE-NADFK-3	P2	1	452
SCE-MST8	P2	2	433	SCE-NADFKSS	P2	2.25	452
SCE-N12FA1010	P1	6	398	SCE-NG1195B120V	P1	31	368
SCE-N12FA1010-230	P1	6	398	SCE-NG1195B230V	P1	31	368
SCE-N12FA1010LG	P1	6	398	SCE-NG14300B230V	P1	137	380
SCE-N12FA10HF	P1	9.37	398	SCE-NG14300B460V3	P1	137	380
SCE-N12FA10HF-230	P1	9.37	398	SCE-NG1870B120V	P1	35	370
SCE-N12FA10HF-460	P1	9.37	398	SCE-NG1870B230V	P1	35	370
SCE-N12FA33	P1	1.5	398	SCE-NG2320B120V	P1	31	372
SCE-N12FA33-230	P1	2	398	SCE-NG2320B230V	P1	31	372
SCE-N12FA33-230LG	P1	2	398	SCE-NG2320B460V	P1	45	372
SCE-N12FA33-24VDC	P1	2	398	SCE-NG2970B120V	P1	56	374
SCE-N12FA33-24VLG	P1	2	398	SCE-NG2970B230V	P1	56	374
SCE-N12FA33LG	P1	2	398	SCE-NG2970B460V	P1	67	374
SCE-N12FA44	P1	2	398	SCE-NG4095B120V	P1	77	374
SCE-N12FA44-230	P1	2	398	SCE-NG4095B230V	P1	67	374
SCE-N12FA44-24VDC	P1	2	398	SCE-NG4095B460V3	P1	73	374
SCE-N12FA44-24VLG	P1	2	398	SCE-NG5290B120V	P1	96	376
SCE-N12FA44LG	P1	2	398	SCE-NG5290B230V	P1	85	376
SCE-N12FA66	P1	4	398	SCE-NG5290B460V3	P1	89	376
SCE-N12FA66-230	P1	4	398	SCE-NG6800B120V	P1	106	378
SCE-N12FA66-24VDC	P1	4	398	SCE-NG6800B230V	P1	102	378
SCE-N12FA66-24VLG	P1	4	398	SCE-NG6800B460V3	P1	108	378
SCE-N12FA66LG	P1	4	398	SCE-NG8500B120V	P1	100	378
SCE-N12FGA1010	P1	3	398	SCE-NG8500B230V	P1	104	378
SCE-N12FGA1010LG	P1	3	399	SCE-NG8500B460V3	P1	100	378
SCE-N12FGA33	P1	0.35	398	SCE-NLTH	P2	2	404
SCE-N12FGA33LG	P1	0.5	399	SCE-NMST10	P2	1	433
SCE-N12FGA44	P1	1	398	SCE-NMST12	P2	2	433
SCE-N12FGA44LG	P1	1	399	SCE-NMST16	P2	2	433
SCE-N12FGA66	P1	2	398	SCE-NMST20	P2	2	433
SCE-N12FGA66LG	P1	2	399	SCE-NMST24	P2	3	433
SCE-N1HINGE	P2	0.17	465	SCE-NMST6	P2	1	433
SCE-N3RFA1010	P1	6.3	399	SCE-NMST8	P2	1	433
SCE-N3RFA1010-230	P1	6.83	399	SCE-NR1032	P5	2	216
SCE-N3RFA10HF	P1	9.4	399	SCE-NR1420	P5	2	216
SCE-N3RFA10HF-230	P1	9.4	399	SCE-OCL12	P2	0.5	460
SCE-N3RFA33	P1	1.5	399	SCE-OCL24	P2	0.5	460
SCE-N3RFA33-230	P1	1.3	399	SCE-P010605	P5	26	210
SCE-N3RFA44	P1	1.89	399	SCE-P010606	P5	28	210
SCE-N3RFA44-230	P1	1.89	399	SCE-P010805	P5	30	210
SCE-N3RFA66	P1	3.31	399	SCE-P010806	P5	33	210
SCE-N3RFA66-230	P1	3.31	399	SCE-P011005	P5	61	210
SCE-N3RFGA1010	P1	1.32	399	SCE-P011006	P5	37	210
SCE-N3RFGA33	P1	0.35	399	SCE-P011205	P5	40	210
SCE-N3RFGA44	P1	0.39	399	SCE-P011206	P5	42	210
SCE-N3RFGA66	P1	0.92	399	SCE-P011605	P5	49	210
SCE-N3RMFK4	P2	1	435	SCE-P011606	P5	52	210
SCE-NADFK	P2	3	452	SCE-P011805	P5	66	210



Part Number	Price Code	Ship Weight	Catalog Page	Part Number	Price Code	Ship Weight	Catalog Page
SCE-P011806	P5	1	210	SCE-PWK2315NFSS	P2	8	455
SCE-P2424SSWS	P2	21	43	SCE-PWK2919NF	P2	12	455
SCE-P2424WS	P2	21	43	SCE-PWK2919NFSS	P2	12	455
SCE-P2432SSWS	P2	24	43	SCE-PWK53NF	P2	1.5	455
SCE-P2432WS	P2	24	43	SCE-PWK53NFSS	P2	1.5	455
SCE-P2626SSWS	P2	22.5	43	SCE-PWK63NF	P2	2	455
SCE-P2626WS	P2	22.5	43	SCE-PWK95NF	P2	3	455
SCE-PCH5	P2	4	405	SCE-PWK95NFSS	P2	3	455
SCE-PCH5-7SC	P2	1	405	SCE-QRCH	P2	1	407
SCE-PCH5SS	P2	4	405	SCE-RF1010	P2	1	464
SCE-PCH7	P2	4	405	SCE-RF44	P2	1	464
SCE-PCH7-7SC	P2	1	405	SCE-RF517	P2	1	464
SCE-PCSP	F1	0.2	452	SCE-RF66	P2	1	464
SCE-PE22	C2	18	43	SCE-RH1010	P1	8.57	400
SCE-PE22SS	C2	28	43	SCE-RH1010-05	P1	8.57	400
SCE-PEN05	P2	0.25	463	SCE-RH1010SS	P1	8.57	400
SCE-PEN09	P2	0.25	463	SCE-RH10N12	P1	9.07	400
SCE-PEN7035	P2	0.25	463	SCE-RH10N12-05	P1	9.07	400
SCE-PH5	P2	4	405	SCE-RH10N12SS	P1	9.86	400
SCE-PH5SS	P2	4	405	SCE-RH10N4XSS	P1	4.5	400
SCE-PH7	P2	4	405	SCE-RH44	P1	3	400
SCE-PKH5	P2	4	405	SCE-RH44SS	P1	3	400
SCE-PKH5SS	P2	2	405	SCE-RH4N12	P1	2.06	400
SCE-PKH7	P2	4	405	SCE-RH4N12SS	P1	2.06	400
SCE-PLHG	P2	1	404	SCE-RH4N4XSS	P1	3.3	400
SCE-PLKJIC	P2	1	407	SCE-RH66	P1	4	400
SCE-PLWKB	P2	1	404	SCE-RH66-05	P1	4.98	400
SCE-PLWKB-50	V1	17	404	SCE-RH66SS	P1	4	400
SCE-PLWKSS	P2	0.5	404	SCE-RH6N12	P1	3.66	400
SCE-PMHK	P2	3	432	SCE-RH6N12SS	P1	7.32	400
SCE-PMK17	P2	7	432	SCE-RH6N4XSS	P1	4.1	400
SCE-PMK26	P2	8	432	SCE-RMTD	P1	1	397
SCE-PMK32	P2	8.5	432	SCE-S180605LG	I1	232	198
SCE-PP101201	P2	1	454	SCE-S180606LG	I1	252	198
SCE-PP101203	P2	6	454	SCE-S180805LG	I1	299	198
SCE-PP1212	P2	5.91	454	SCE-S180806LG	I1	324	198
SCE-PP7701	P2	1	454	SCE-S181005LG	I1	300	198
SCE-PS1032CN	P2	2	150	SCE-S181006LG	I1	379	198
SCE-PS1420	P2	2	216	SCE-S200605LG	I1	254	198
SCE-PS1420CN	P2	2	42	SCE-S200606LG	I1	276	198
SCE-PS3816CN	P2	2	42	SCE-S200805LG	I1	322	198
SCE-PS51618CN	P5	2	216	SCE-S200806LG	I1	349	198
SCE-PSK24	C2	5	41	SCE-S201005LG	I1	380	198
SCE-PSK32	C2	7	41	SCE-S201006LG	I1	409	198
SCE-PWK138NF	P2	4	455	SCE-SA08TC	C3	2.9	52
SCE-PWK138NFSS	P2	4	455	SCE-SA20T	C3	6.61	52
SCE-PWK1711NF	P2	6	455	SCE-SA20TC	C3	6.28	52
SCE-PWK1711NFSS	P2	6	455	SCE-SA230WH	C3	9.26	420
SCE-PWK2315NF	P2	8	455	SCE-SA30TC	C3	9.2	52



Your Enclosure Source®

Part Number	Price Code	Ship Weight	Catalog Page	Part Number	Price Code	Ship Weight	Catalog Page
SCE-SA310IJ	C3	13.23	420	SCE-SD200806LG	I1	349	202
SCE-SA310IJD	C3	13.23	420	SCE-SD201005LG	I1	380	202
SCE-SA310TMJ	C3	8.6	420	SCE-SD201006LG	I1	409	202
SCE-SA320AC	C3	5.51	420	SCE-SD201205LG	I1	405	202
SCE-SA360C	C3	4	420	SCE-SD201206LG	I1	433	202
SCE-SA39T	C3	13.23	52	SCE-SDMI	P5	6	216
SCE-SA39TC	C3	12.57	52	SCE-SGP08	P2	2	211
SCE-SA45IA	C3	3.97	52	SCE-SGP16	P2	2	211
SCE-SA79T	C3	26.46	420	SCE-SK123644	P2	14.9	438
SCE-SA79TC	C3	25.13	420	SCE-SK123644SS	P2	15.02	438
SCE-SA90A	C3	2	420	SCE-SK124856	P2	19.9	438
SCE-SACB11T31	C3	6.1	420	SCE-SK124856SS	P2	20.06	438
SCE-SACB31T55	C3	6.1	420	SCE-SK126068	P2	24.9	438
SCE-SAFC	C3	3	420	SCE-SK126068SS	P2	25.1	438
SCE-SAFFS	C3	2.2	420	SCE-SK127280	P2	29.9	438
SCE-SAH06TC	C3	1.8	52	SCE-SK127280SS	P2	30.14	438
SCE-SAH230WH	C3	0	52	SCE-SK153644	P2	18.62	438
SCE-SAH310TMJ	C3	7.4	52	SCE-SK153644SS	P2	18.77	438
SCE-SAHCB112T132	C3	13.5	426	SCE-SK154856	P2	24.87	438
SCE-SAHCB121T132	C3	13.5	52	SCE-SK154856SS	P2	25.07	438
SCE-SAHCB44T61	C3	40.5	52	SCE-SK156068	P2	31.12	438
SCE-SAHCB61T79	C3	13.5	52	SCE-SK156068SS	P2	31.37	438
SCE-SAHCB79T97	C3	13.5	52	SCE-SK157280	P2	37.37	438
SCE-SAHCB97T114	C3	13.5	52	SCE-SK157280SS	P2	37.67	438
SCE-SAMM	P2	6.61	420	SCE-SKL123644	P2	14.9	438
SCE-SAS14A	C3	3	428	SCE-SKL123644SS	P2	15.02	438
SCE-SAS20I	C3	3.3	428	SCE-SKL124856	P2	19.9	438
SCE-SAS20J	C3	9.2	428	SCE-SKL124856SS	P2	20.06	438
SCE-SAS20S	C3	12	428	SCE-SKL126068	P2	24.9	438
SCE-SAS30J	C3	10.5	428	SCE-SKL126068SS	P2	25.1	438
SCE-SAS310TM	C3	7.5	428	SCE-SKL127280	P2	29.9	438
SCE-SAS360C	C3	7.1	52	SCE-SKL127280SS	P2	30.14	438
SCE-SAS39I	C3	0	428	SCE-SKL153644	P2	18.62	438
SCE-SAS39J	C3	12	428	SCE-SKL153644SS	P2	18.77	438
SCE-SAS39S	C3	15	428	SCE-SKL154856	P2	24.87	438
SCE-SAS59I	C3	6.5	428	SCE-SKL154856SS	P2	25.07	438
SCE-SASFSCO	C3	7	428	SCE-SKL156068	P2	31.12	438
SCE-SASWMA	C3	0	428	SCE-SKL156068SS	P2	31.37	438
SCE-SATFS	C3	3.75	420	SCE-SKL157280	P2	37.37	438
SCE-SB18	C2	3	42	SCE-SKL157280SS	P2	37.67	438
SCE-SCP	P2	0.5	463	SCE-SLCC	P2	1	415
SCE-SD180805LG	I1	299	202	SCE-SLDCC	P2	1	415
SCE-SD180806LG	I1	324	202	SCE-SLDCC39	P2	0.47	415
SCE-SD181005LG	I1	353	202	SCE-SLMS	P2	0.3	415
SCE-SD181006LG	I1	379	202	SCE-SLMS700	P2	0.5	415
SCE-SD181205LG	I1	405	202	SCE-SLOF	P2	0.3	415
SCE-SD181206LG	I1	433	202	SCE-SLOF700	P2	0.5	415
SCE-SD200805LG	I1	322	202	SCE-SLT	P2	3	461

Part Number	Price Code	Ship Weight	Catalog Page	Part Number	Price Code	Ship Weight	Catalog Page
SCE-SP1806	P5	57.57	208	SCE-TE510B24VSS	P1	22	387
SCE-SP1806G	P5	73	211	SCE-TE680B24VSS	P1	22	387
SCE-SP1808G	P5	82	211	SCE-TEMD	P1	0.25	396
SCE-SP1809	P5	81	209	SCE-TEMEVDC	P1	8.75	396
SCE-SP1809G	P5	91	211	SCE-TEMG	P5	2	213
SCE-SP1810G	P5	91	211	SCE-TEMNC	P1	1	396
SCE-SP1812G	P5	113	211	SCE-TEMNO	P1	1	396
SCE-SP1816	P5	163.87	209	SCE-TSH100	P1	0.86	402
SCE-SP1816G	P5	149	211	SCE-TSH150	P1	1.46	402
SCE-SP1818	P5	165	209	SCE-TSH25	P1	0.35	402
SCE-SP1818G	P5	149	211	SCE-TSH50	P1	0.35	402
SCE-SP2006G	P5	167	211	SCE-TSH75	P1	0.86	402
SCE-SP2008	P5	86.23	209	SCE-TU05	P2	1	463
SCE-SP2008G	P5	81	211	SCE-TU09	P2	1	463
SCE-SP2009	P5	90	209	SCE-TURAL7035	P2	1.6	463
SCE-SP2009G	P5	91	211	SCE-UA400V	P2	2	417
SCE-SP2010G	P5	101	211	SCE-UAV	P2	2	417
SCE-SP2012G	P5	126	211	SCE-UHK13	P2	2	407
SCE-SP2016G	P5	167	211	SCE-URA18	P5	15	213
SCE-SP2018	P5	169.43	209	SCE-URA20	P5	17	213
SCE-SP2018G	P5	187	211	SCE-VMG18	P5	54	214
SCE-SPMP05	P5	4	213	SCE-VMG20	P5	61	214
SCE-SPMP06	P5	5	213	SCE-VRMS24	P2	6.75	433
SCE-SSCLEAN	P2	2	464	SCE-VRMS36	P2	8.35	433
SCE-SSQT	P2	1	404	SCE-WMS1SS	P2	1	432
SCE-STMMK	P2	1.48	40	SCE-WMS2SS	P2	1	432
SCE-STWBTD	C2	18	43	SCE-WMS3SS	P2	2	432
SCE-STWSPL	C2	3	40	SCE-WMS4SS	P2	2	432
SCE-STWSPLSS	C2	4	40	SCE-WSBTD	C2	18	43
SCE-STWSSBTD	C2	16	43	SCE-WSCC	C2	23	44
SCE-T181205LG	I1	405	200	SCE-WSCCSS	C2	23	44
SCE-T181206LG	I1	433	200	SCE-WSSBTD	C2	18	43
SCE-T181605LG	I1	522	200	SCE-XMAIMF16	P2	8	434
SCE-T181606LG	I1	552	200	SCE-XMAIMF16LG	P2	8	434
SCE-T201205LG	I1	436	200	SCE-XMAIMF18	P2	3	434
SCE-T201206LG	I1	467	200	SCE-XMAIMF20	P2	3	434
SCE-T201605LG	I1	562	200	SCE-XMAIMF24	P2	4	434
SCE-T201606LG	I1	594	200	SCE-XMAIMF24LG	P2	4	434
SCE-TD181605LG	I1	435	204	P-B15-F3R3-U450	P4	1	408
SCE-TD181606LG	I1	464	204	P-B15-K3RF3-U450	P4	1	409
SCE-TD181805LG	I1	530	204	P-P11R2-K3RF0-U450	P4	2	409
SCE-TD181806LG	I1	560	204	P-Q7-F3R3-U450	P4	1	408
SCE-TD201605LG	I1	467	204	P-Q7-K3RF3-U450	P4	1	409
SCE-TD201606LG	I1	497	204	P-Q9-F3R3-U450	P4	1	408
SCE-TD201805LG	I1	570	204	P-R2-F3R3-U450	P4	1	408
SCE-TD201806LG	I1	602	204	P-R2-K2RF3-U450	P4	1.6	409
SCE-TE170B24VSS	P1	7	386	P-R2-K3RF3-U450	P4	1	409
SCE-TE340B24VSS	P1	13	386	P-R2-K4RF3-U450	P4	1	409



*Your Enclosure Source*®

# NOTES



*Your Enclosure Source*®

# NOTES



*Your Enclosure Source*®

# NOTES



*Your Enclosure Source*®

# NOTES



*Your Enclosure Source*®

# NOTES