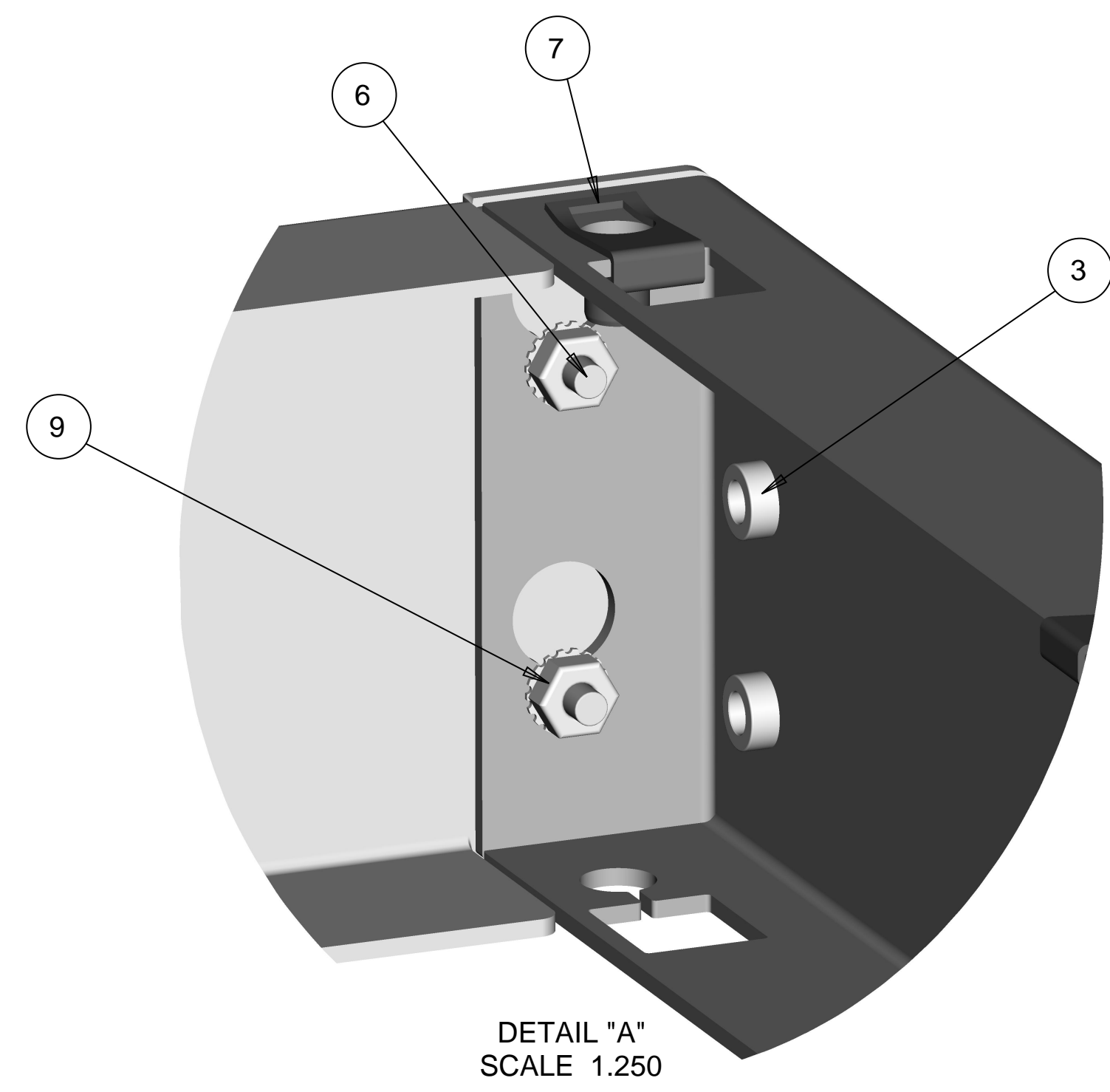
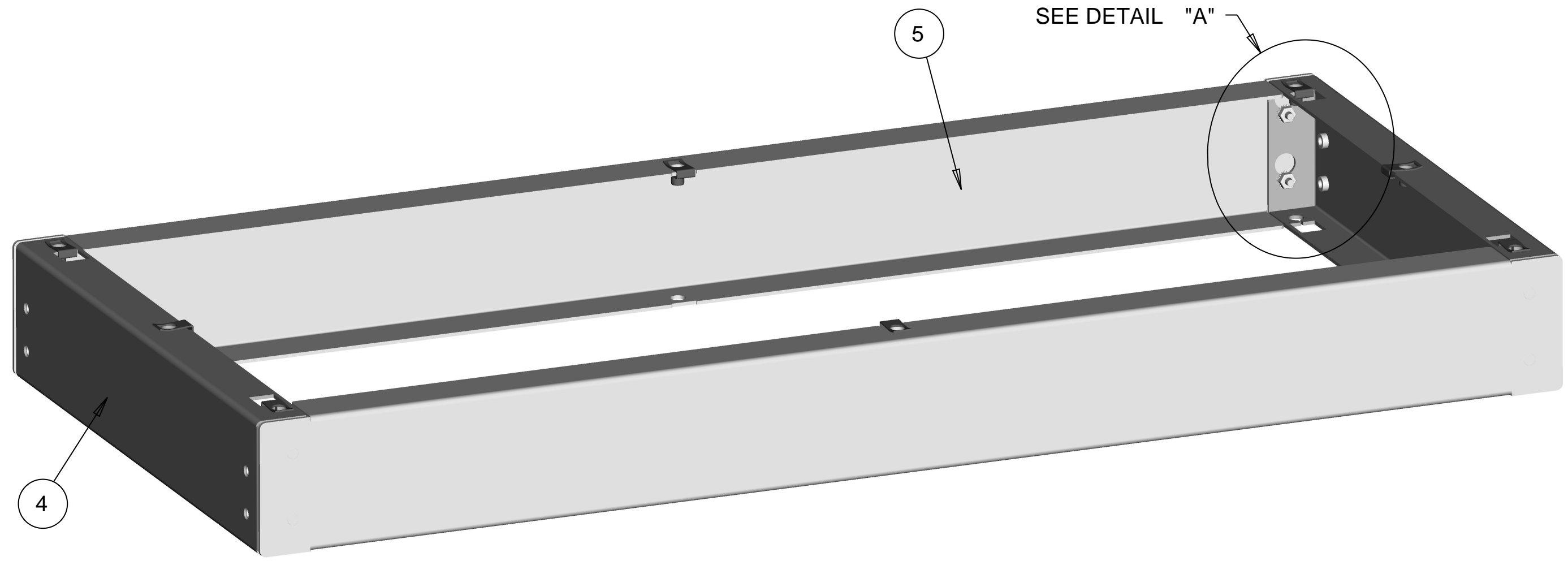


FRONT PARTIAL ISOMETRIC VIEW WITH THE IMS ENCLOSURE DOOR REMOVED FOR CLARITY

OPTIONAL SCE-FMA FLOOR MOUNTING ANGLE KIT

SCE-FMA MOUNTING KIT BILL OF MATERIALS		
INDEX	QTY	DESCRIPTION
2	4	IMS_FLOOR_MOUNTING_ANGLE
1	8	1-4_20_3-4_FLANGED_SCREW_102528

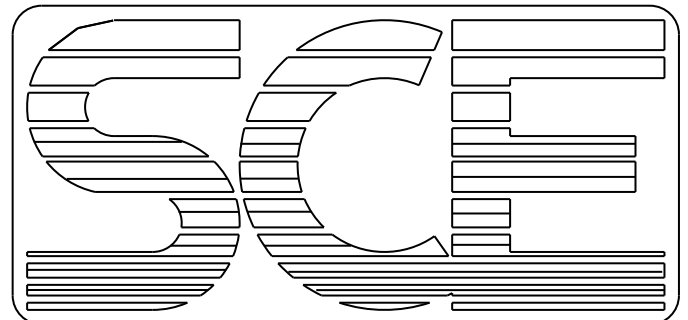


DETAIL "A"  
SCALE 1.250

IMS PLINTH BASE BILL OF MATERIALS FOR PLINTH BASE WIDTH OF 800mm OR LESS		
INDEX	QTY	DESCRIPTION
3	8	S-0420-2ZI_PEM_NUT_100028
4	2	IMS-PLINTH-BASE-SIDE-CHANNEL
5	2	IMS-PLINTH-BASE-FB-CHANNEL
6	8	FH-0420-10ZI_PEM_STUD_100064
7	6	5-16_18_STEEL_U-NUT_107043
8	6	5-16_18_3-4_FLANGED_BOLT_102496
9	8	1-4_20_SERRATED_FLNG_NUT_100882

IMS PLINTH BASE BILL OF MATERIALS FOR PLINTH BASE WIDTH OF 800mm TO 1300mm		
INDEX	QTY	DESCRIPTION
3	8	S-0420-2ZI_PEM_NUT_100028
4	2	IMS-PLINTH-BASE-SIDE-CHANNEL
5	2	IMS-PLINTH-BASE-FB-CHANNEL
6	8	FH-0420-10ZI_PEM_STUD_100064
7	8	5-16_18_STEEL_U-NUT_107043
8	8	5-16_18_3-4_FLANGED_BOLT_102496
9	8	1-4_20_SERRATED_FLNG_NUT_100882

IMS PLINTH BASE BILL OF MATERIALS FOR PLINTH BASE WIDTH GREATER THAN 1300mm		
INDEX	QTY	DESCRIPTION
3	8	S-0420-2ZI_PEM_NUT_100028
4	2	IMS-PLINTH-BASE-SIDE-CHANNEL
5	2	IMS-PLINTH-BASE-FB-CHANNEL
6	8	FH-0420-10ZI_PEM_STUD_100064
7	10	5-16_18_STEEL_U-NUT_107043
8	10	5-16_18_3-4_FLANGED_BOLT_102496
9	8	1-4_20_SERRATED_FLNG_NUT_100882



**SAGINAW CONTROL AND ENGINEERING**  
 95 Midland Road  
 Saginaw, Michigan 48638  
 Phone: (989) 799-6871  
 Fax: (989) 799-4524  
 sce@saginawcontrol.com

PART#  
**IMS ENCLOSURE PLINTH BASE & SCE-FMA MOUNTING ANGLE KIT INSTALLATION DRAWING**