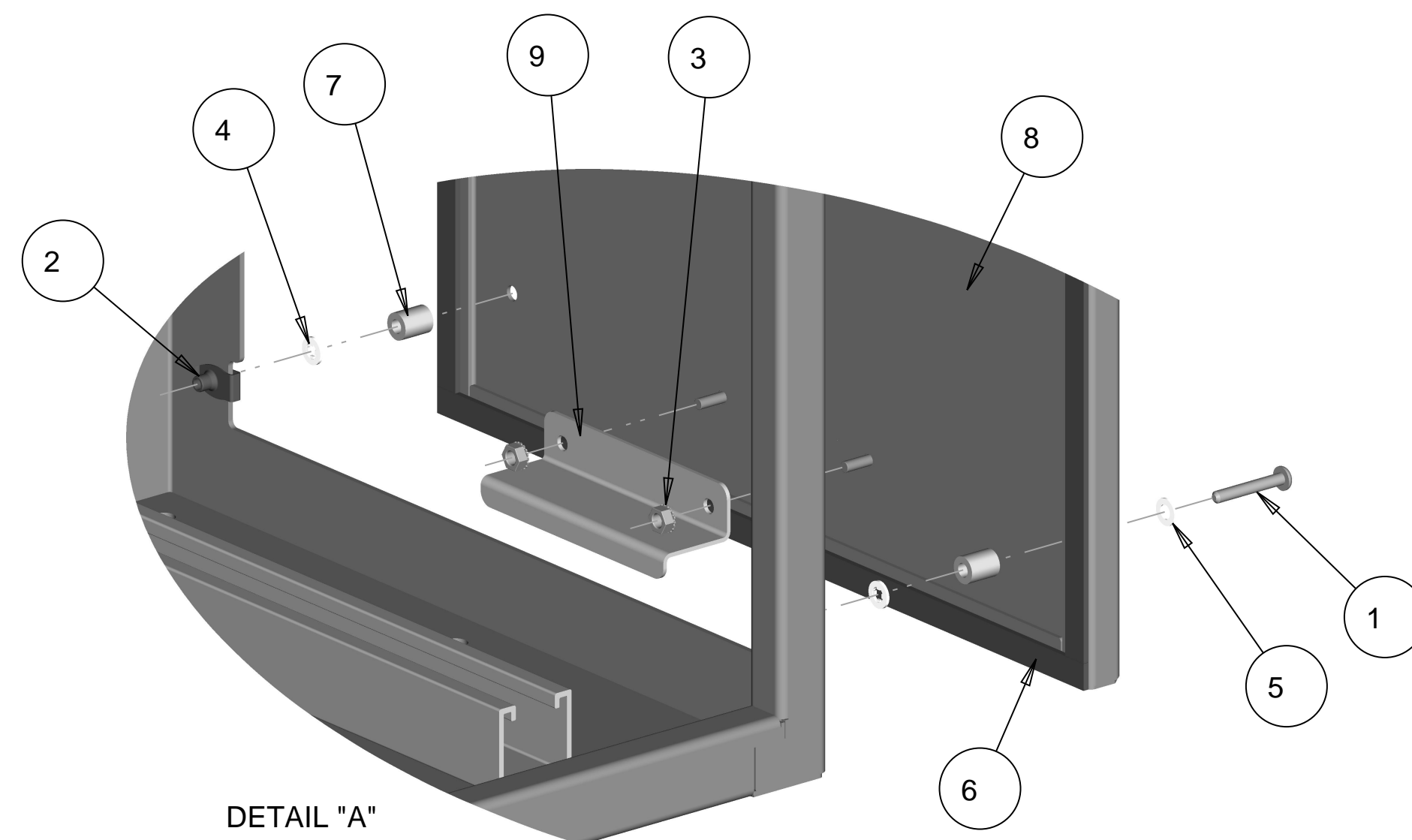


FRONT ISOMETRIC VIEW SHOWN WITH THE DOOR REMOVED FOR CLARITY



FRONT ISOMETRIC VIEWS SHOWN WITH THE END PLATE INSTALLED



DETAIL "A"

SCE IMS ENCLOSURE END PLATE BILL OF MATERIALS		
INDEX	QTY	DESCRIPTION
9	1	IMS-ENCLOSURE-END-PLATE-BRACKET
8	1	IMS-ENCLOSURE-END-PLATE
7	8	5-8_LONG_NYLON_SPACER_110827
6	1	1-8_1-2W_STRIP_GASKET_100682
5	8	1-4_WEAR-RESIST_WASHER_108365
4	8	1-4_NYLON_PUSH_RETAINER_101682
3	2	1-4_20_KEPS_NUT_100877
2	8	1-4_20_CLIP-ON_U-NUT_108104
1	8	1-4_20_1_1-2_PHPMS_108364



**SAGINAW CONTROL AND ENGINEERING**  
 95 Midland Road  
 Saginaw, Michigan 48638  
 Phone: (989) 799-6871  
 Fax: (989) 799-4524  
 sce@saginawcontrol.com

PART#

**IMS ENCLOSURE END PLATE  
 INSTALLATION DRAWING**