

Extra Large 30.5 mm Hinged Pushbutton Enclosures

Application -

Designed to offer protection for oil-tight pushbuttons, switches, and pilot lights from dust, water, dirt and oil. For installation information, consult our Installation Manual at www.saginawcontrol.com.

Construction -

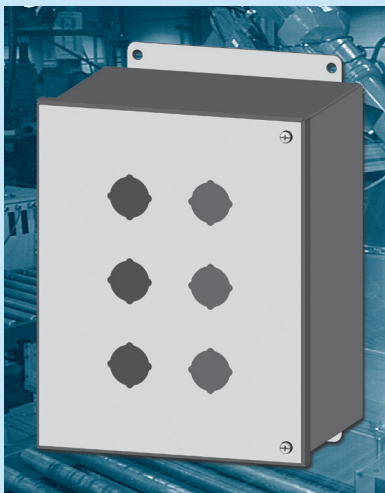
- 0.063" carbon steel.
- Continuously welded seams.
- Captivated cover screws thread into sealed wells.
- 4-way pushbutton holes accept all brands of oil-tight push-buttons, switches and pilot lights. Hole diameter is 1.20" (30.5 mm).
- Oil-resistant gasket.
- Provisions for sub-panel.
- Ground stud on door.
- Cover attached with continuous hinge.

Finish -

ANSI-61 gray powder coated inside and out. Optional sub-panels are powder coated white.

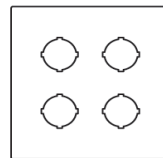
IS2 - Industry Standards -

NEMA Type 4, 12 and Type 13
UL Listed Type 4 and 12
CSA Type 4 and 12
IEC 60529 IP 66

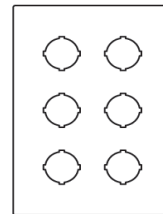


EXTRA LARGE 30.5 mm HINGED PUSHBUTTON ENCLOSURES

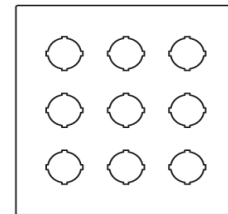
ENCLOSURE PRODUCT CODE A1						SUB-PANEL (P3)	
Catalog No.	Height (A)	Width (B)	Depth (C)	Industry Standard	List Price	Catalog No.	List Price
SCE-4SPBH	8.00	8.00	6.00	IS2	107.08	SCE-8P8	4.89
SCE-6PBH	10.00	8.00	6.00	IS2	122.63	SCE-10P8	5.70
SCE-9PBH	10.00	10.00	6.00	IS2	142.99	SCE-10P10	6.73
SCE-12PBH	12.00	10.00	6.00	IS2	162.14	SCE-12P10	7.72
SCE-16PBH	12.00	12.00	6.00	IS2	184.70	SCE-12P12	9.08
SCE-20PBH	16.00	12.00	6.00	IS2	287.54	SCE-16PB12	13.84



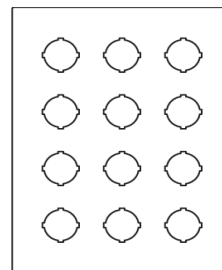
SCE-4SPBH



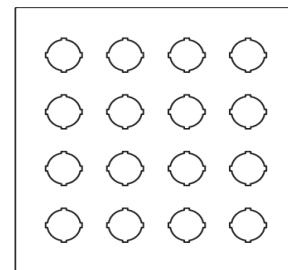
SCE-6PBH



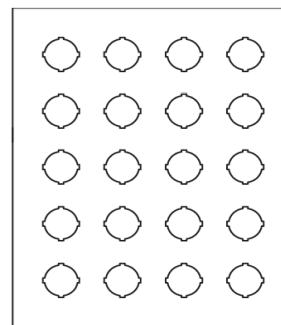
SCE-9PBH



SCE-12PBH



SCE-16PBH

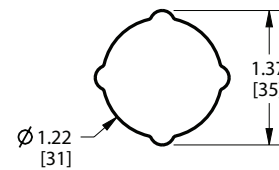
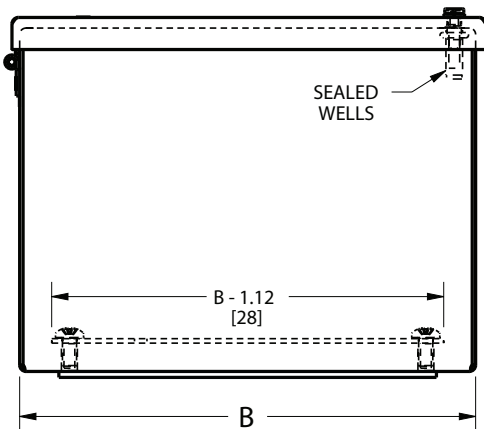
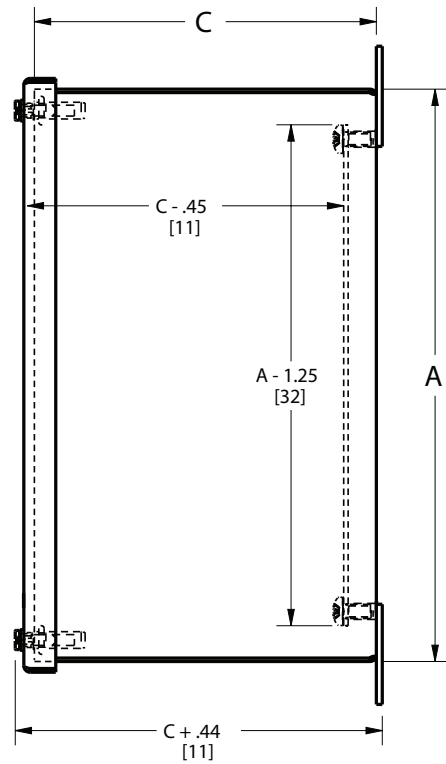
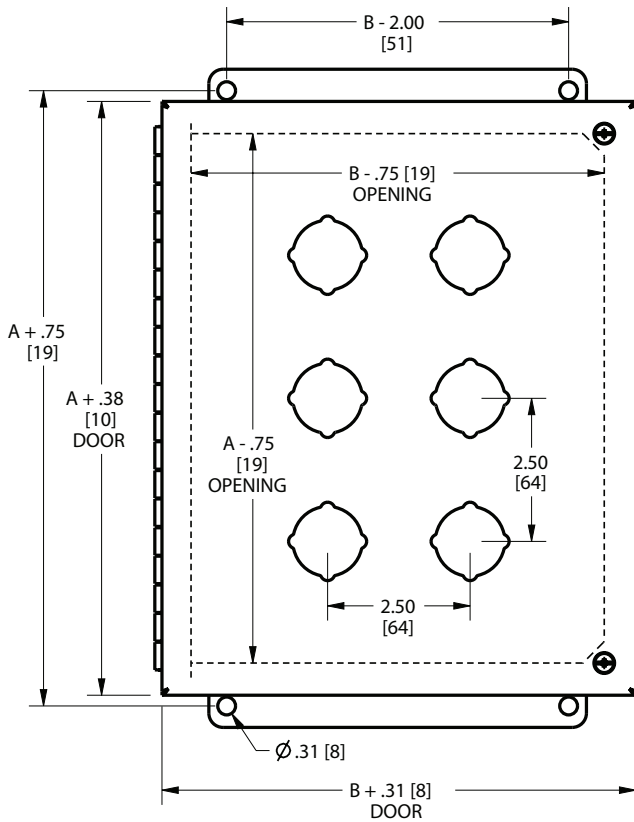


SCE-20PBH

Phone (989) 799-6871
Fax (989) 799-4524

SCE SAGINAW
CONTROL &
ENGINEERING
Your Enclosure Source

EXTRA LARGE 30.5 mm HINGED PUSHBUTTON ENCLOSURES TECHNICAL DATA



STANDARD 4-WAY

Extra Large 22.5 mm Hinged Pushbutton Enclosures

Application -

Designed to offer protection for oil-tight pushbuttons, switches, and pilot lights from dust, water, dirt and oil. For installation information, consult our Installation Manual at www.saginawcontrol.com.

Construction -

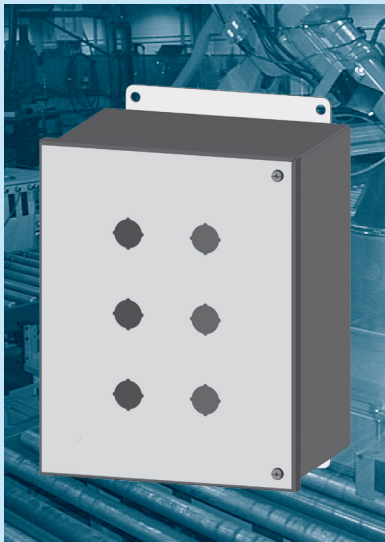
- 0.063" carbon steel.
- Continuously welded seams.
- Captivated cover screws thread into sealed wells.
- 4-way pushbutton holes accept all brands of oil-tight pushbuttons, switches and pilot lights. Hole diameter is 0.87" (22.5 mm).
- Oil-resistant gasket.
- Provisions for sub-panel.
- Ground stud on door.
- Cover attached with continuous hinge.

Finish -

ANSI-61 gray powder coated inside and out. Optional sub-panels are powder coated white.

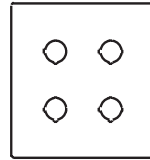
IS2 - Industry Standards -

NEMA Type 4, 12 & Type 13
 UL Listed Type 4 & 12
 CSA Type 4 & 12
 IEC 60529 IP66

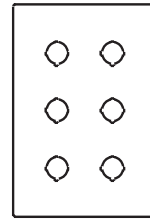


EXTRA LARGE 22.5 mm HINGED PUSHBUTTON ENCLOSURES

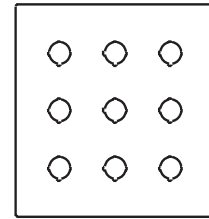
ENCLOSURE PRODUCT CODE A1						SUB-PANEL (P3)	
Catalog No.	Height (A)	Width (B)	Depth (C)	Industry Standard	List Price	Catalog No.	List Price
SCE-4SPBHI	8.00	8.00	6.00	IS2	107.08	SCE-8P8	4.89
SCE-6PBHI	10.00	8.00	6.00	IS2	122.63	SCE-10P8	5.70
SCE-9PBHI	10.00	10.00	6.00	IS2	142.99	SCE-10P10	6.73
SCE-12PBHI	12.00	10.00	6.00	IS2	162.14	SCE-12P10	7.72
SCE-16PBHI	12.00	12.00	6.00	IS2	184.70	SCE-12P12	9.08



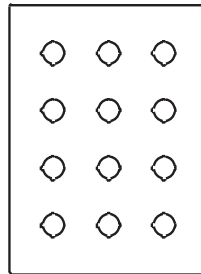
SCE-4SPBHI



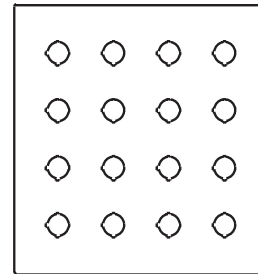
SCE-6PBHI



SCE-9PBHI



SCE-12PBHI

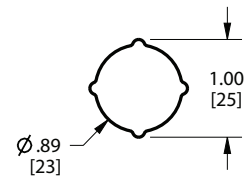
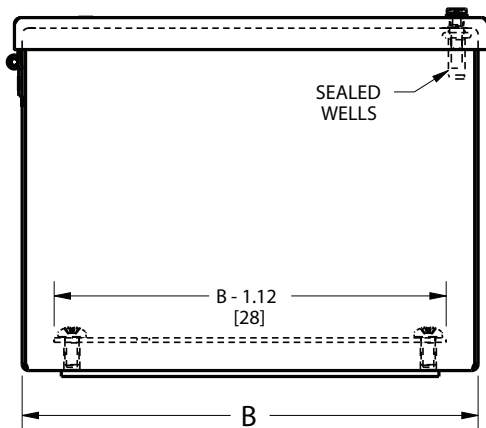
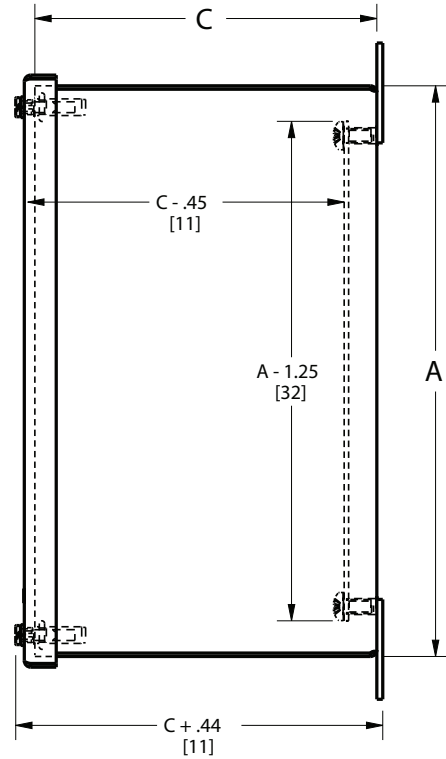
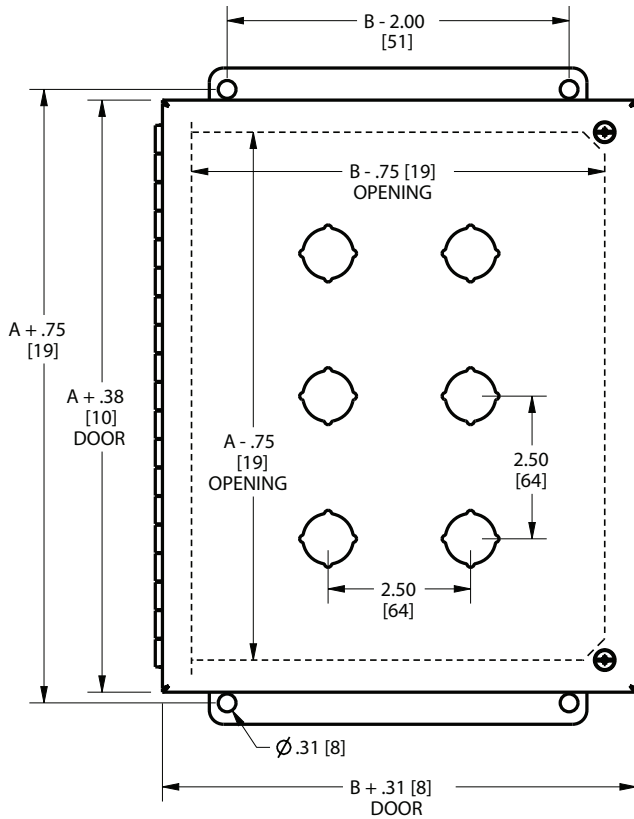


SCE-16PBHI

Phone (989) 799-6871
 Fax (989) 799-4524



EXTRA LARGE 22.5 mm HINGED PUSHBUTTON ENCLOSURES TECHNICAL DATA



STANDARD 4-WAY