

EXTRA DEEP 22.5MM PUSHBUTTON ENCLOSURES

Application

Designed to offer protection for oil-tight pushbuttons, switches, and pilot lights from dust, water, dirt and oil. For installation information, consult our Installation Manual at www.saginawcontrol.com.

Construction

- 0.063" carbon steel.
- Continuously welded seams.
- Captivated cover screws thread into sealed wells.
- 4-way pushbutton holes accept all brands of oil-tight pushbuttons, switches and pilot lights. Hole diameter is 0.87" (22.5 mm).
- Immediate removal of cover is permitted.
- Pour in place oil and water resistant gasket.
- Welded mounting provision top and bottom of back.

Finish

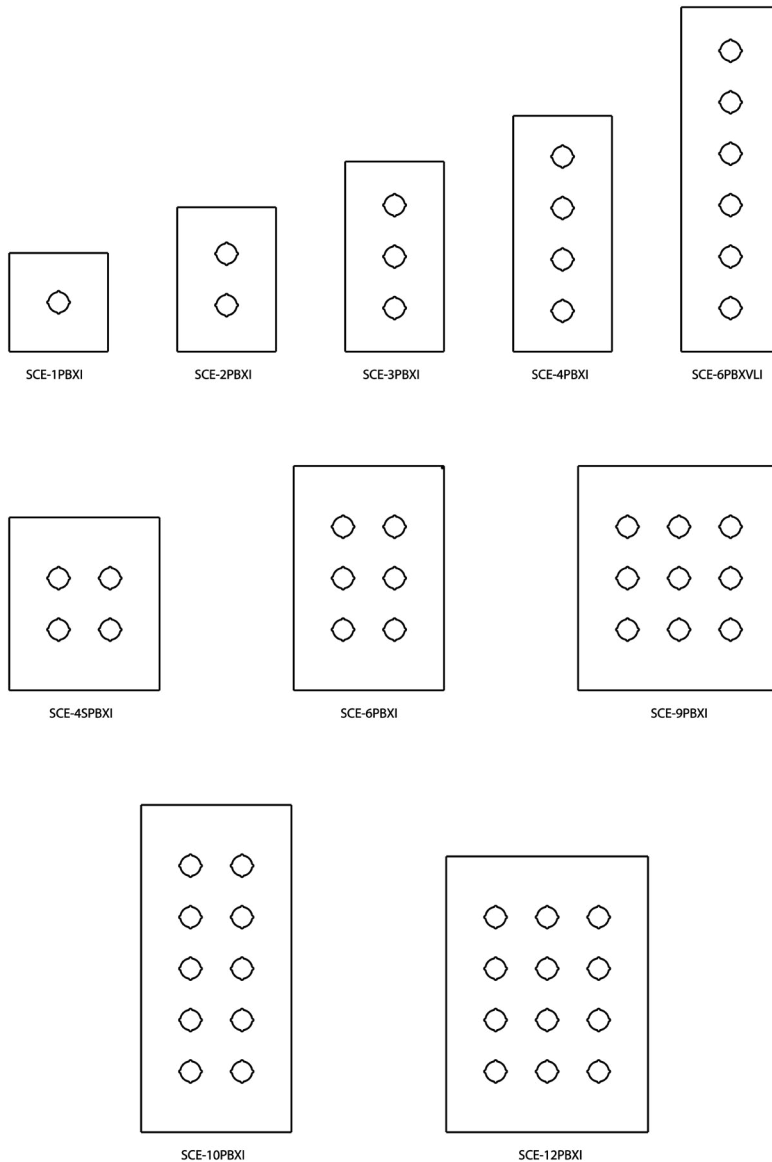
ANSI-61 gray powder coated inside and out.

IS2 Industry Standards

NEMA Type 4, 12 & Type 13
UL Listed Type 4 & 12
CSA Type 4 & 12
IEC 60529 IP66

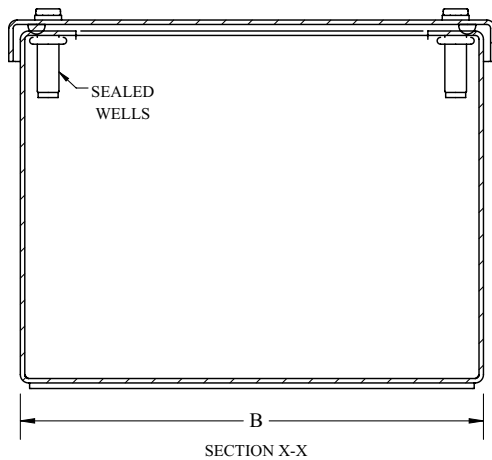
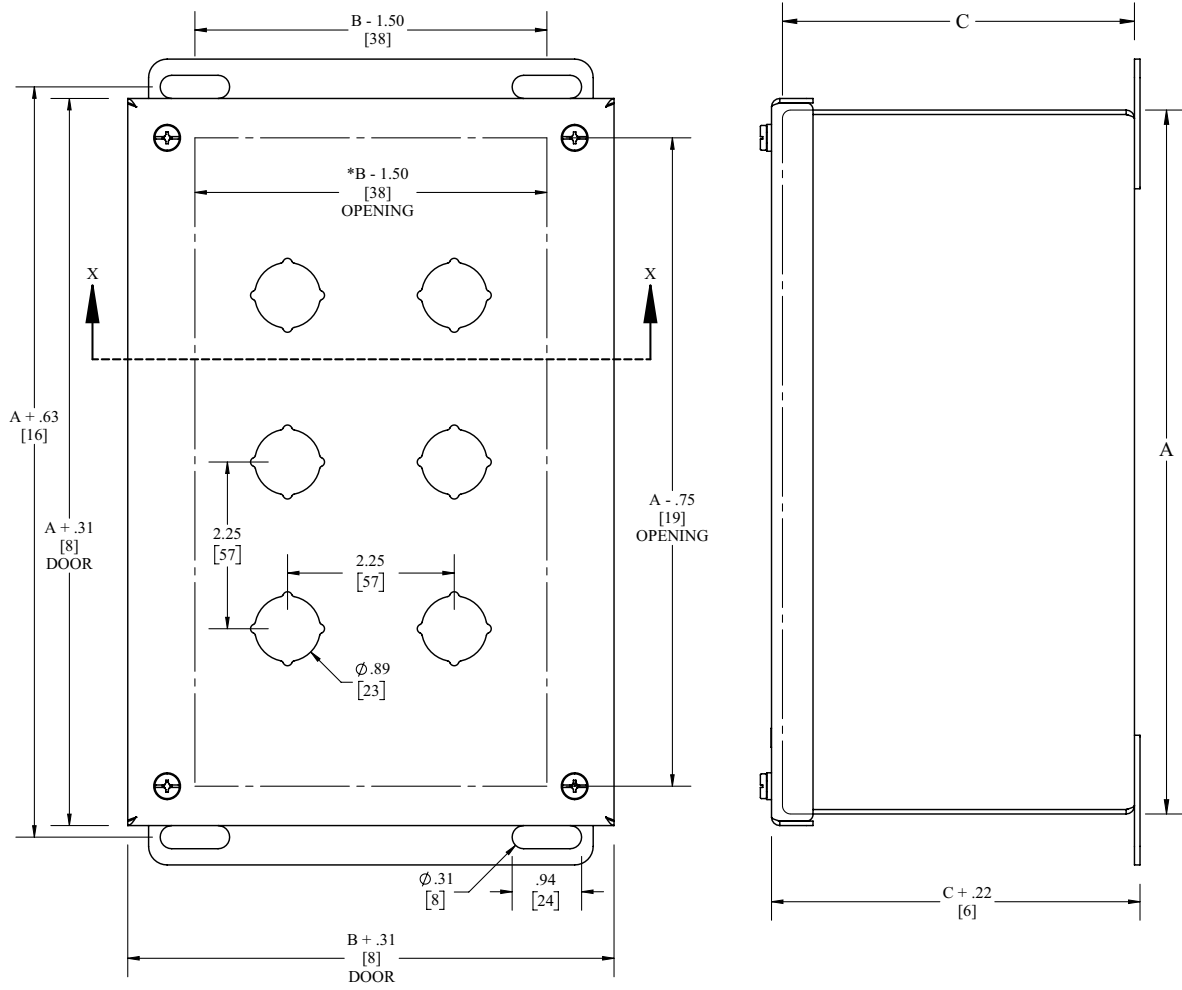
Enclosure Product Code A1

Catalog No.	Height (A)	Width (B)	Depth (C)	Industry Standard
SCE-1PBXI	4.00	4.00	4.75	IS2
SCE-2PBXI	6.00	4.00	4.75	IS2
SCE-3PBXI	8.00	4.00	4.75	IS2
SCE-4PBXI	10.00	4.00	4.75	IS2
SCE-4SPBXI	7.25	6.25	4.75	IS2
SCE-6PBXI	9.50	6.25	4.75	IS2
SCE-6PBXVLI	14.75	4.00	IS2	
SCE-9PBXI	9.50	8.50	4.75	IS2
SCE-10PBXI	14.00	6.25	4.75	IS2
SCE-12PBXI	11.75	8.50	4.75	IS2



EXTRA DEEP 22.5MM PUSHBUTTON ENCLOSURES

TECHNICAL DATA



NOTE:
*B - .50 [13] WHEN ONE COLUMN OF PUSHBUTTONS