

Table of Contents

Enclosures Added to Existing Product Groups	2 - 3
Custom Painted Stainless Steel Enclosures	4 - 5
Pushbutton Enclosures	6
*Revision — As inventory is depleted, replenishments will be the new style	
Sloping Front Pushbutton Enclosures.....	7 - 12
*Revision — As inventory is depleted, replenishments will be the new style	
Continuous Hinge Enclosures	13 - 16
*Revision — As inventory is depleted, replenishments will be the new style	
EnviroLine® Series Wall-Mount Enclosure w/ 3-Point Hardware.....	17 - 18
*New Catalog Part — Available Now	
EnviroLine® Series Free-Standing Two-Door Enclosures.....	19 - 20
*New Catalog Part — Available Now	
XD Heavy Duty Free Standing Enclosures w/ External Disconnect Installed.....	21 - 25
*New Catalog Part — Available Now	
Heavy Duty Free-Standing Enclosures 4 to 6-Door (Stainless Steel).....	26 - 29
*New Catalog Part — Available Now	
Stainless Steel Desk Consoles	30 - 33
*New Catalog Part — Available Now	
Skirt Panels.....	34 - 35
*New Catalog Part — Available Now	
Enviro-Therm® Air Conditioners.....	36 - 47
*New Catalog Part — Available Now	
Enviro-Therm® Heat Exchangers	48 - 51
*New Catalog Part — Available Now	
New Accessories	52 - 60
Breather Vent.....	52
*Revision — Available Now	
Touch Safe Heater.....	52
*New Catalog Part — Available Now	
Hole Seal.....	53
*Revision — Available Now	
LED Strip Light.....	53
*New Catalog Part — Available Now	

ENCLOSURES ADDED TO EXISTING PRODUCT GROUPS

Catalog No.	Height (A)	Width (B)	Depth (C)	Industry Standard	List Price	Subpanel Part No.
Envioline Series Trough Junction Enclosures						
SCE-L9368ELJ	9.00	36.00	8.00	IS2	197.37	SCE-9P36L
Envioline Series Single-Door Enclosures						
SCE-12EL2408LP	12.00	24.00	8.00	IS2	239.11	SCE-12P24
SCE-72EL3624LP	72.00	36.00	24.00	IS2	1293.50	SCE-72P36
Clamp Fastened Single-Door Enclosures						
SCE-60H3616LP	60.00	36.00	16.00	IS2	830.19	SCE-60P36
Envioline Series Disconnect Enclosures w/ SCE hardware						
SCE-30XEL2108LP	30.00	21.38	8.00	IS2	431.37	SCE-30P20
Hinged Cover Type 3R Enclosures						
SCE-24R2408LP	24.00	24.00	8.00	IS7	233.57	SCE-24P24
SCE-24R2412LP	24.00	24.00	12.00	IS7	249.82	SCE-24P24
SCE-24R2416LP	24.00	24.00	16.00	IS7	270.42	SCE-24P24
Free-Standing Two-Door Single Access Enclosures						
SCE-904824FSD	90.00	48.00	24.00	IS3	2302.81	
Two-Door Free-Standing/Wall-Mount Disconnect Enclosures						
SCE-60X2D7818	60.00	77.75	18.00	IS3	2899.70	SCE-60P76
Single-Door Heavy Duty Free-Standing Disconnect Enclosures						
SCE-72XM2818G	72.00	27.50	18.00	IS1	1565.79	SCE-64P25GALV**
SCE-72XM3418G	72.00	33.50	18.00	IS1	1735.38	SCE-64P31GALV**
SCE-72XM4018G	72.00	39.50	18.00	IS1	1904.98	SCE-64P37GALV**
Two-Door Heavy Duty Free-Standing Disconnect Enclosures						
SCE-72XM5418G	72.00	53.75	18.00	IS4	2748.19	SCE-64P52GALV**
SCE-84XM7824G	84.00	77.75	24.00	IS1	3870.87	SCE-76P76GALV**
SCE-90XM7818G	90.00	77.75	18.00	IS1	4220.65	SCE-82P76GALV**
Three-Door Heavy Duty Free-Standing Disconnect Enclosures						
SCE-72XM3EQ18G	72.00	99.50	18.00	IS3	4228.74	SCE-64P37GALV** SCE-64P76GALV**
SCE-84XM3EW24G	84.00	117.50	24.00	IS1	5227.65	SCE-76P37GALV** SCE-76P76GALV**
Four-Door Heavy Duty Free-Standing Disconnect Enclosures						
SCE-84XM4EW18G	84.00	157.50	18.00	IS1	6983.19	SCE-76P76GALV** (2)
Single-Door Disconnect MOD Enclosure						
SCE-MOD84X4018G	84.00	40.00	18.00	IS1	1883.48	SCE-76P37GALV*
Single-Door Slave MOD Enclosure						
SCE-MOD724018G	72.00	40.00	18.00	IS1	1722.08	SCE-64P37GALV*
Two-Door Slave MOD Enclosure						
SCE-MOD847724G	84.00	77.00	24.00	IS1	3603.34	SCE-76P76GALV*

ENCLOSURES ADDED TO EXISTING PRODUCT GROUPS

Catalog No.	Height (A)	Width (B)	Depth (C)	Industry Standard	List Price	Subpanel Part No.
S.S 30.5 mm PB Enclosures (316)						
SCE-1PBSS6	3.50	3.25	2.75	IS5	161.26	N/A
SCE-1PBXSS6	4.00	4.00	4.75	IS5	214.80	N/A
SCE-2PBSS6	5.75	3.25	2.75	IS5	201.97	N/A
SCE-2PBXSS6	6.00	4.00	4.75	IS5	268.86	N/A
SCE-3PBSS6	8.00	3.25	2.75	IS5	219.90	N/A
SCE-4PBSS6	10.25	3.25	2.75	IS5	249.20	N/A
SCE-4PBXSS6	10.00	4.00	4.75	IS5	296.46	N/A
SCE-4SPBSS6	7.25	6.25	3.00	IS5	273.64	N/A
SCE-6PBSS6	9.50	6.25	3.00	IS5	327.41	N/A
SCE-9PBSS6	9.50	8.50	3.00	IS5	369.74	N/A
SCE-12PBSS6	11.75	8.50	3.00	IS5	421.87	N/A
SCE-16PBXSS6	11.75	10.75	4.75	IS5	531.01	N/A
S.S 22.5 mm PB Enclosures (316)						
SCE-1PBSS6I	3.50	3.25	2.75	IS5	161.26	N/A
SCE-1PBXSS6I	4.00	4.00	4.75	IS5	214.80	N/A
SCE-2PBSS6I	5.75	3.25	2.75	IS5	201.97	N/A
SCE-3PBSS6I	8.00	3.25	2.75	IS5	219.90	N/A
SCE-4PBSS6I	10.25	3.25	2.75	IS5	249.20	N/A
SCE-4PBXSS6I	10.00	4.00	4.75	IS5	296.46	N/A
SCE-4SPBSS6I	7.25	6.25	3.00	IS5	273.64	N/A
SCE-6PBSS6I	9.50	6.25	3.00	IS5	327.41	N/A
SCE-9PBSS6I	9.50	8.50	3.00	IS5	369.74	N/A
SCE-12PBSS6I	11.75	8.50	3.00	IS5	421.87	N/A
SCE-16PBXSS6I	11.75	10.75	4.75	IS5	531.01	N/A
S.S 30.5 mm Hinged PB Enclosures (316)						
SCE-9PBHSS6	10.00	10.00	6.00	IS5	345.28	SCE-10P10
SCE-16PBHSS6	12.00	12.00	6.00	IS5	589.44	SCE-12P12
S.S 22.5 mm Hinged PB Enclosures (316)						
SCE-9PBHSS6I	10.00	10.00	6.00	IS2	345.28	SCE-10P10
SCE-16PBHSS6I	12.00	12.00	6.00	IS5	589.44	SCE-12P12
S.S. Enviroline Series Single-Door Enclosures w/ 3-pt hardware						
SCE-48EL3616SSLPPL	48.00	36.00	16.00	IS5	2681.29	SCE-48P36
SCE-60EL3616SSLPPL	60.00	36.00	16.00	IS5	3108.87	SCE-60P36
SCE-60EL3624SSLPPL	60.00	36.00	24.00	IS5	3716.74	SCE-60P36
SCE-72EL3624SSLPPL	72.00	36.00	24.00	IS5	4517.69	SCE-72P36
S.S. Enviroline Series Single-Door Enclosures						
SCE-42EL3012SSLP	42.00	30.00	12.00	IS5	1913.57	SCE-42P30
S.S. Enviroline Series Wall-Mount Slope Top Enclosures						
SCE-24EL2416SSST	24.00	24.00	16.00	IS5	2179.04	SCE-24P24

SSC/SS6C Custom Painted Stainless Steel Enclosures

New Part numbers have been created for custom painted stainless steel enclosures. These part numbers will add the necessary hanging hole to the doors of all enclosure models and drainage holes in the FS, FSD, FSDA, FSDAD, XM and XD enclosures. Hole seals will be included for the drainage holes to maintain the UL rating of the enclosure.

Appropriate Paint Set-up Fee and adders will be added to the list price of these enclosures.

Paint Level	Set-up Fee per Color
1	\$75
2	\$150
3	\$200
4	\$300

New Part Numbers have a C added to the end: SCE-12EL2406SSLPC

Paint Line Hanging Holes in Doors

SCE CONCEALED HINGE DOOR < 60" IN HEIGHT



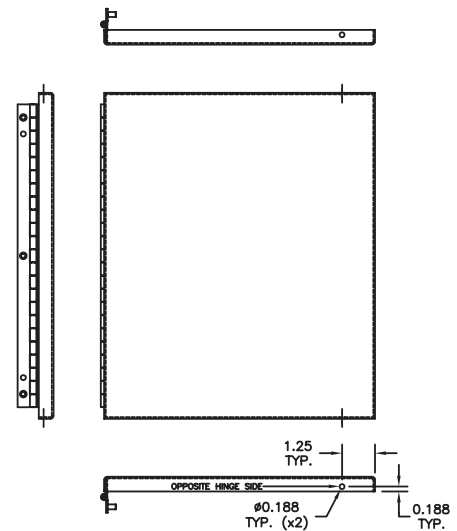
HOLES IN BOTH TOP & BOTTOM OF DOOR

SCE CONCEALED HINGE DOOR >= 60" IN HEIGHT



HOLES IN BOTH TOP & BOTTOM OF DOOR

CH, ELJ & TYPE 1 HINGED DOOR



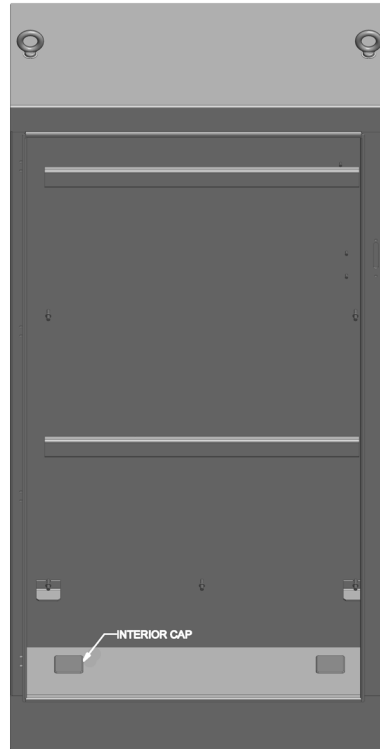
HOLES IN BOTH TOP & BOTTOM OF DOOR



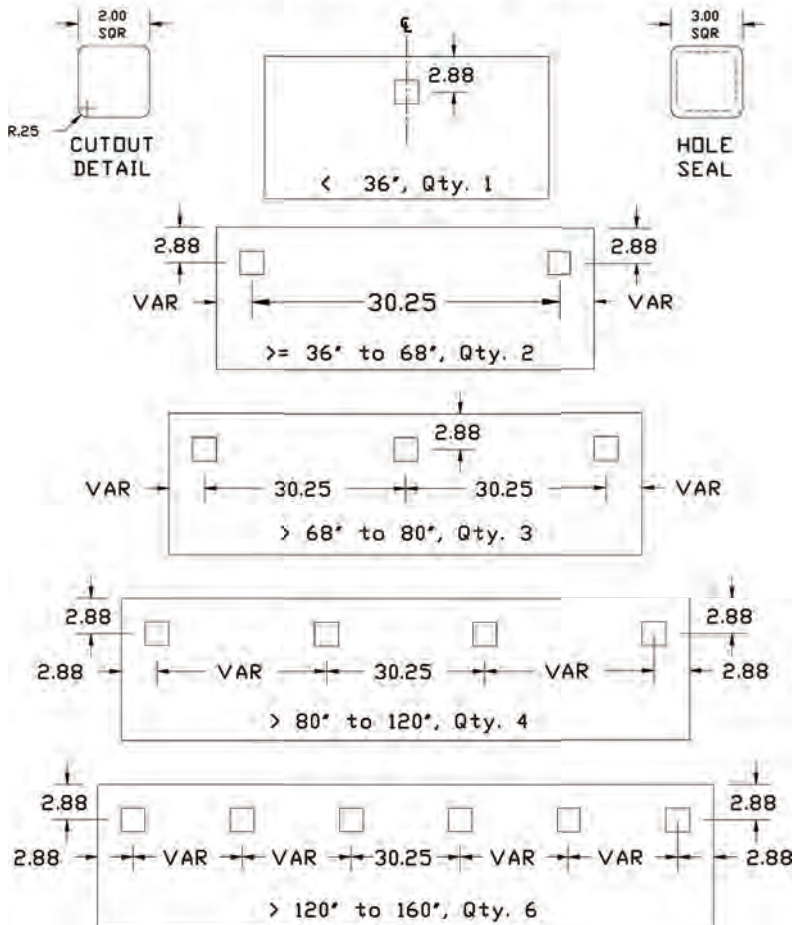
Hole Seal



Bottom View



DRAIN HOLES WHEN BOTTOM FLANGE > 3"



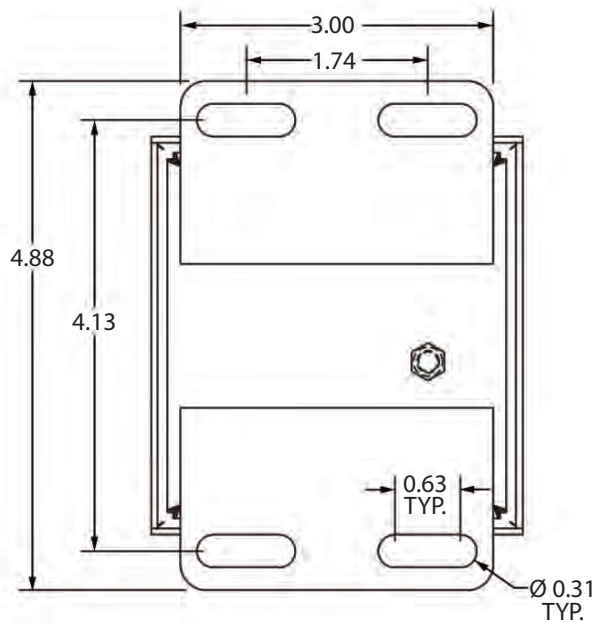
REVISION**PUSHBUTTON ENCLOSURE MOUNTING STRAPS**

Ref. Page 40–53 & 198–205 of the 13th Edition Catalog

The New PB Mounting Strap design will have elongated mounting holes.

- Still supports the previous mounting pattern version for installation on pre-existing equipment
- Creates consistency throughout product lines – PB, PBH and CH enclosures
- Allows more Flexibility in enclosure installation

As inventory is depleted,
replenishments will be the new style
(starting in April 2016)

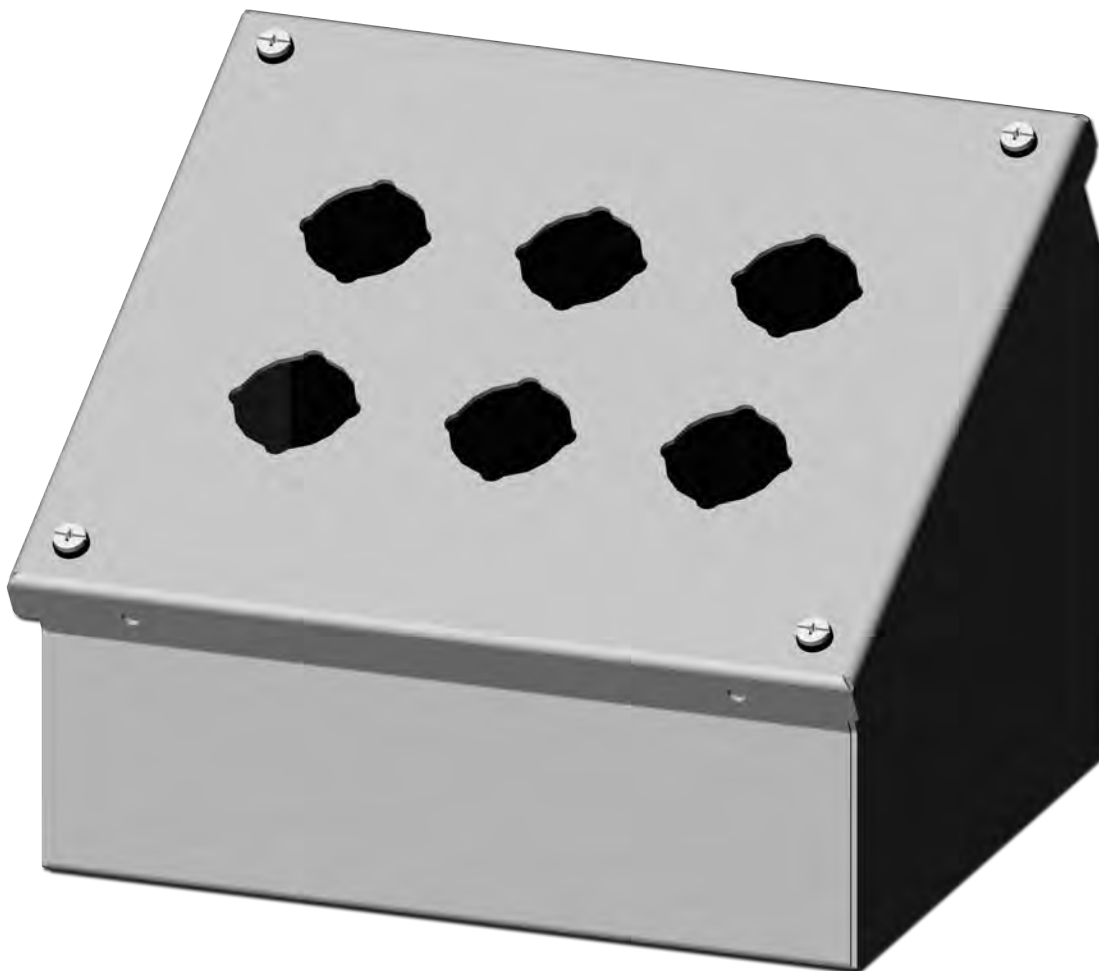


REVISION**SLOPING FRONT PUSHBUTTON ENCLOSURES**

Ref. Page 54-57 of the 13th Edition Catalog

The New PBA/PBAI design will include ELJ Mounting Feet and bolt pack in place of the mounting strap. Provisions for subpanel provided in enclosures larger than SCE-4PBA.

***Builds greater than 2545902 (12/11/2015)
will be the new style**



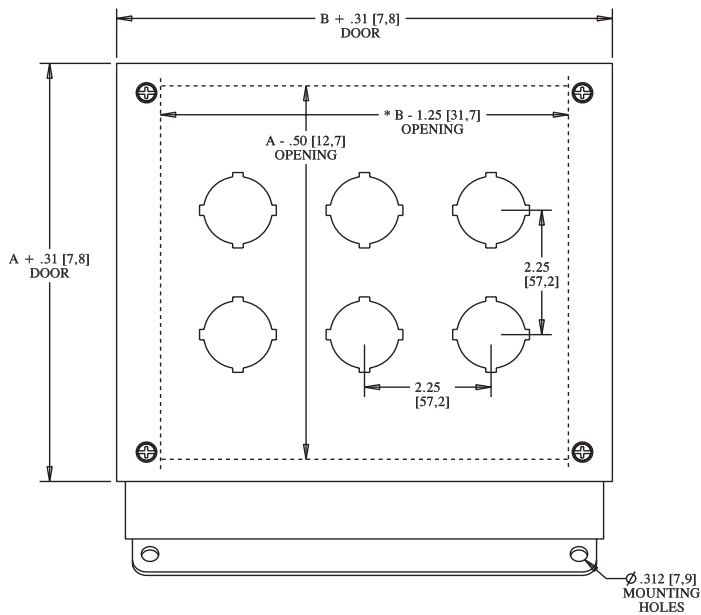
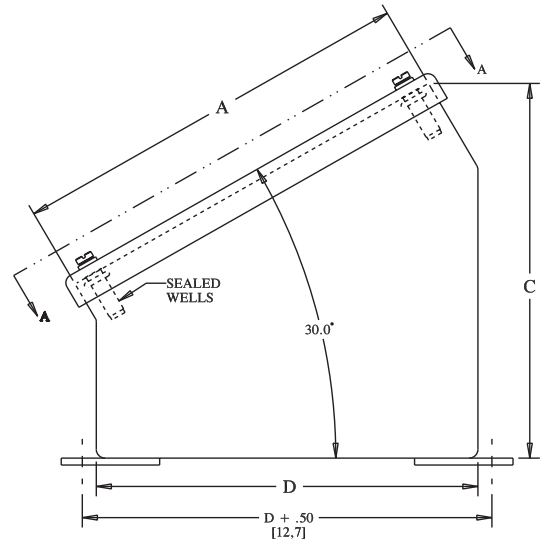
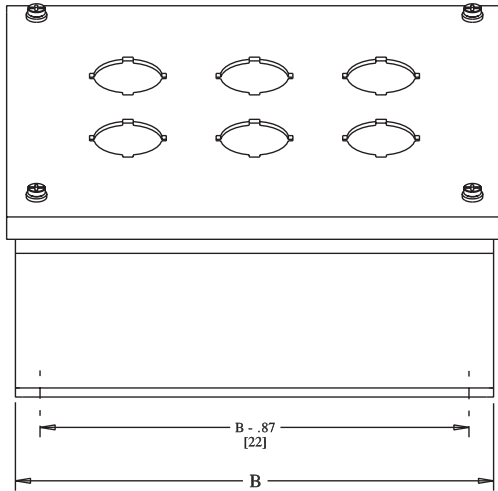
Phone (989) 799-6871

Fax (989) 799-4524

SCE SAGINAW
CONTROL &
ENGINEERING
Your Enclosure Source®

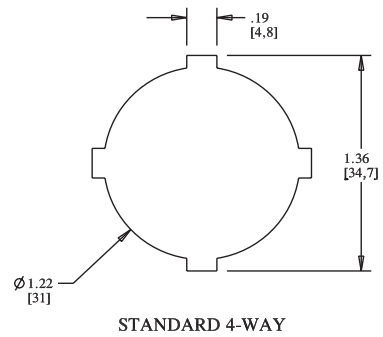
SLOPING FRONT 30.5 mm PUSHBUTTON ENCLOSURES - OLD STYLE

TECHNICAL DATA



VIEW A-A

NOTE:
* $B - .50$ [12,7] ONE COLUMN OF PUSHBUTTONS



STANDARD 4-WAY

Sloping Front 30.5 mm Pushbutton Enclosures

Application -

Designed to offer protection for all standard brands of oil-tight pushbuttons, switches, and pilot lights where slanted surfaces are desired. It offers protection from dust, dirt, oil and water. For installation information, consult our Installation Manual at www.saginawcontrol.com.

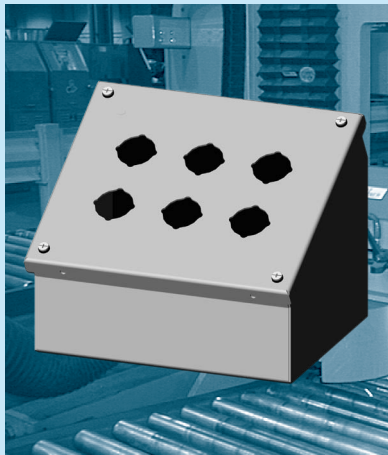
Construction -

- 0.063" carbon steel.
- Continuously welded seams.
- Captivated cover screws thread into sealed wells.
- 4-way standard pushbutton holes accept all brands of oil-tight pushbuttons, switches, and pilot lights. Hole diameter is 1.20" (30.5mm).
- Immediate removal of cover is still permitted.
- Oil-resistant door gasket.
- Mounting feet included.

Finish -

ANSI-61 Gray powder coat inside and out. Optional sub-panels are powder coated white.

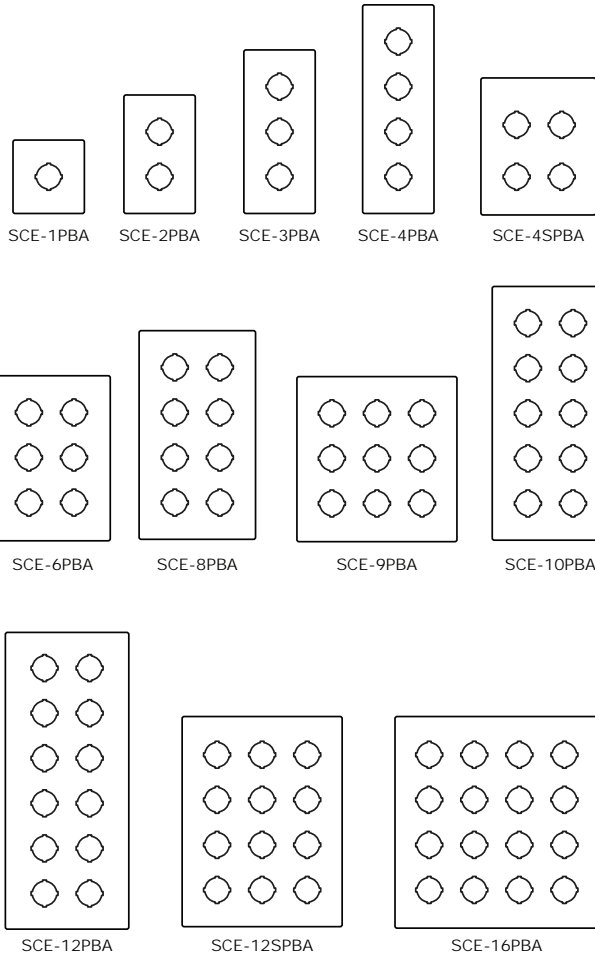
IS2 - Industry Standards -
 NEMA Type 4, 12 & Type 13
 UL Listed Type 4 & 12
 CSA Type 4 & 12
 IEC 60529 IP66



SLOPING FRONT 30.5 mm PUSHBUTTON ENCLOSURES

ENCLOSURE PRODUCT CODE A1							SUB-PANEL (P3)			
Catalog No.	Height (A)	Width (B)	Depth (C)	ref. Depth (D)	Industry Standard	List Price	Catalog No.	Panel Height (D)	Panel Width (E)	List Price
SCE-1PBA	3.50	3.25	4.84	3.53	IS2	65.22	No Panel	N/A		
SCE-2PBA	3.50	5.50	4.84	3.53	IS2	75.24	No Panel	N/A		
SCE-3PBA	3.50	7.75	4.84	3.53	IS2	85.28	No Panel	N/A		
SCE-4PBA	3.50	10.00	4.84	3.53	IS2	96.56	No Panel	N/A		
SCE-4SPBA	7.25	6.25	6.75	6.78	IS2	107.85	SCE-6P6	4.88	4.88	3.61
SCE-6PBA	7.25	8.50	6.75	6.78	IS2	125.41	SCE-8P6	6.75	4.88	4.17
SCE-8PBA	7.25	10.75	6.75	6.78	IS2	141.70	SCE-10P6	8.75	4.88	4.89
SCE-9PBA	9.50	8.50	7.88	8.73	IS2	147.97	SCE-8P8	6.75	6.88	4.89
SCE-10PBA	7.25	13.00	6.75	6.78	IS2	158.02	SCE-12P6	10.75	4.88	5.35
SCE-12PBA	7.25	15.25	6.75	6.78	IS2	171.82	SCE-14P6	12.75	4.88	5.98
SCE-12SPBA	11.75	8.50	9.00	10.69	IS2	164.28	SCE-10P8	8.75	6.88	5.70
SCE-16PBA	11.75	10.75	9.00	10.69	IS2	183.10	SCE-10P10	8.75	8.88	6.73

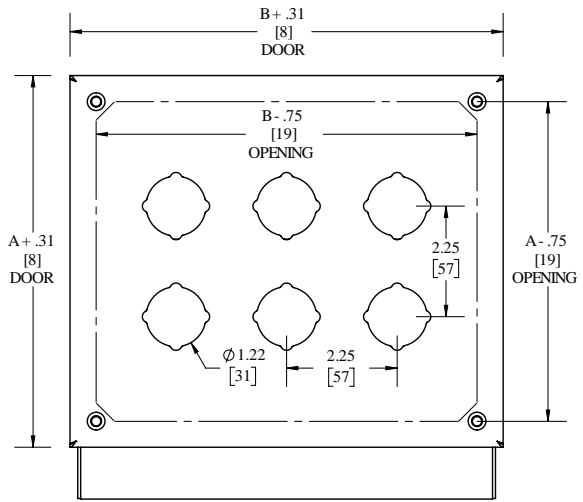
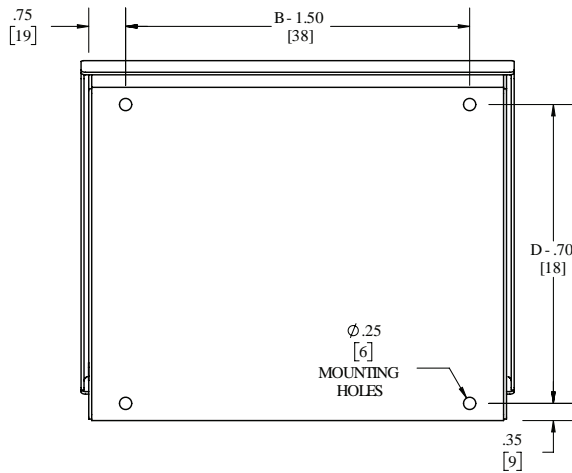
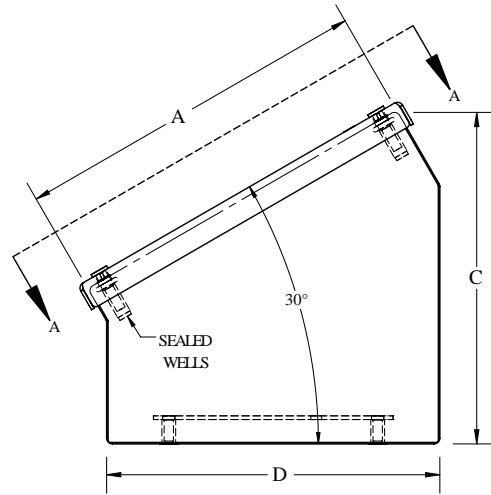
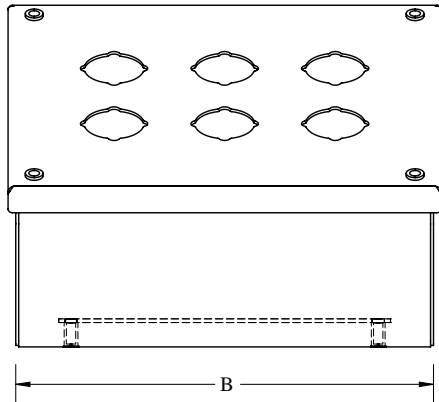
As inventory is depleted, replenishments will be the new style (starting 12/11/2015)



Phone (989) 799-6871
 Fax (989) 799-4524



SLOPING FRONT 30.5 mm PUSHBUTTON ENCLOSURES TECHNICAL DATA



VIEW A-A

Sloping Front 22.5 mm Pushbutton Enclosures

Application -

Designed to offer protection for all standard brands of oil-tight pushbuttons, switches, and pilot lights where slanted surfaces are desired. It offers protection from dust, dirt, oil and water. For installation information, consult our Installation Manual at www.saginawcontrol.com.

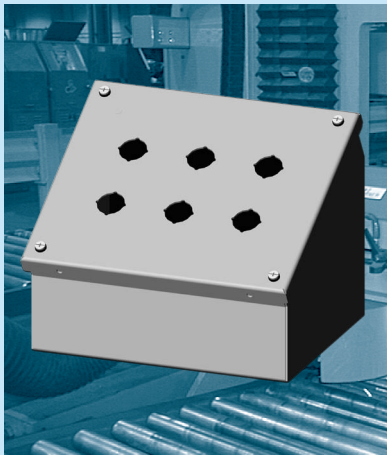
Construction -

- 0.063" carbon steel.
- Continuously welded seams.
- Captivated cover screws thread into sealed wells.
- 4-way standard pushbutton holes accept all brands of oil-tight pushbuttons, switches, and pilot lights. Hole diameter is 0.87" (22.5mm).
- Immediate removal of cover is still permitted.
- Oil-resistant door gasket.
- Mounting feet included.

Finish -

ANSI-61 Gray powder coat inside and out. Optional sub-panels are powder coated white.

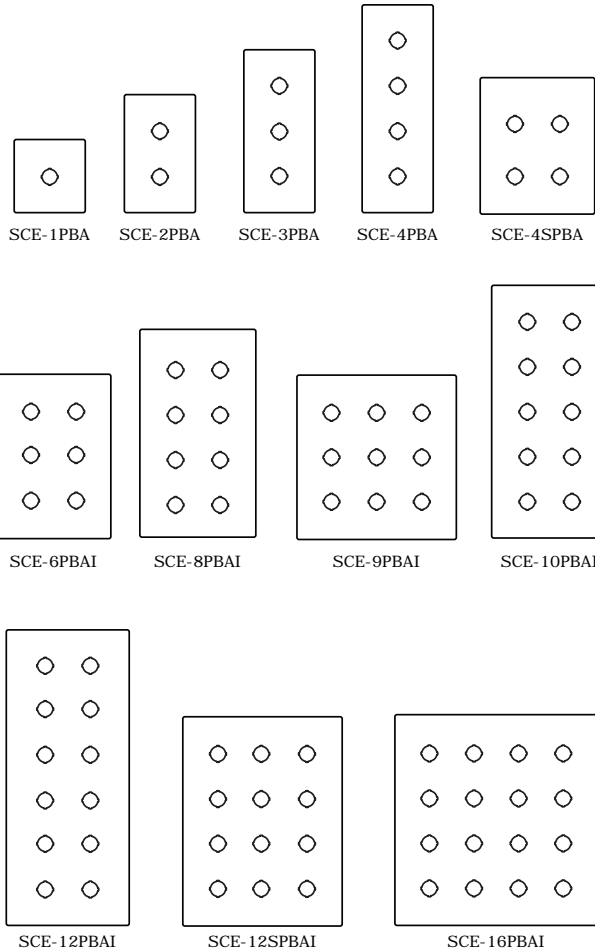
IS2 - Industry Standards -
 NEMA Type 4, 12 & Type 13
 UL Listed Type 4 & 12
 CSA Type 4 & 12
 IEC 60529 IP66



SLOPING FRONT 22.5 mm PUSHBUTTON ENCLOSURES

ENCLOSURE PRODUCT CODE A1							SUB-PANEL (P3)			
Catalog No.	Height (A)	Width (B)	Depth (C)	ref. Depth (D)	Industry Standard	List Price	Catalog No.	Panel Height (D)	Panel Width (E)	List Price
SCE-1PBAI	3.50	3.25	4.84	3.53	IS2	65.22	No Panel	N/A		
SCE-2PBAI	3.50	5.50	4.84	3.53	IS2	75.24	No Panel	N/A		
SCE-3PBAI	3.50	7.75	4.84	3.53	IS2	85.28	No Panel	N/A		
SCE-4PBAI	3.50	10.00	4.84	3.53	IS2	96.56	No Panel	N/A		
SCE-4SPBAI	7.25	6.25	6.75	6.78	IS2	107.85	SCE-6P6	4.88	4.88	3.61
SCE-6PBAI	7.25	8.50	6.75	6.78	IS2	125.41	SCE-8P6	6.75	4.88	4.17
SCE-8PBAI	7.25	10.75	6.75	6.78	IS2	141.70	SCE-10P6	8.75	4.88	4.89
SCE-9PBAI	9.50	8.50	7.88	8.73	IS2	147.97	SCE-8P8	6.75	6.88	4.89
SCE-10PBAI	7.25	13.00	6.75	6.78	IS2	158.02	SCE-12P6	10.75	4.88	5.35
SCE-12PBAI	7.25	15.25	6.75	6.78	IS2	171.82	SCE-14P6	12.75	4.88	5.98
SCE-12SPBAI	11.75	8.50	9.00	10.69	IS2	164.28	SCE-10P8	8.75	6.88	5.70
SCE-16PBAI	11.75	10.75	9.00	10.69	IS2	183.10	SCE-10P10	8.75	8.88	6.73

As inventory is depleted, replenishments will be the new style (starting 12/11/2015)

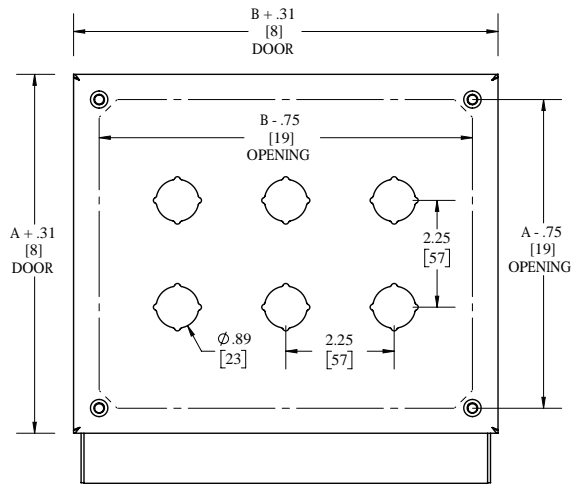
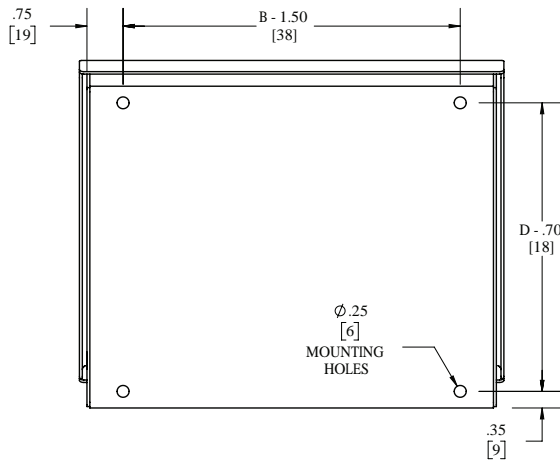
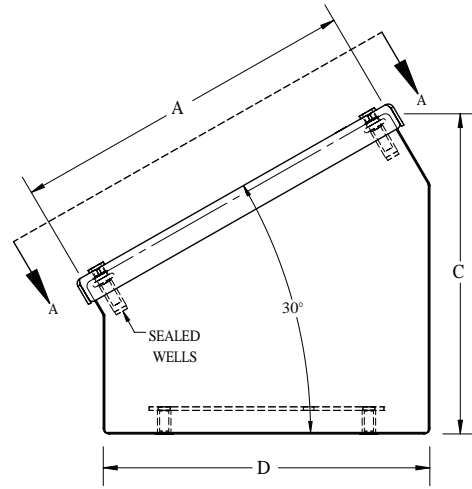
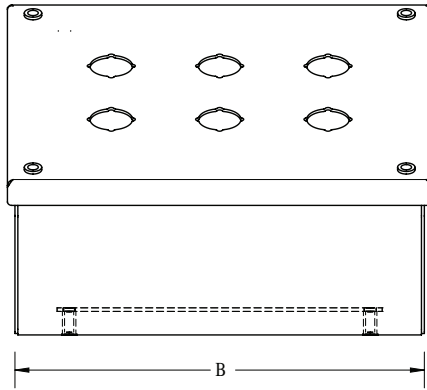


Phone (989) 799-6871
 Fax (989) 799-4524



SLOPING FRONT 22.5 mm PUSHBUTTON ENCLOSURES

TECHNICAL DATA



VIEW A-A

Continuous Hinge Enclosures

Application -

Designed to offer protection for all standard brands of oil-tight pushbuttons, switches, and pilot lights where slanted surfaces are desired. It offers protection from dust, dirt, oil and water. For installation information, consult our Installation Manual at www.saginawcontrol.com.

Construction -

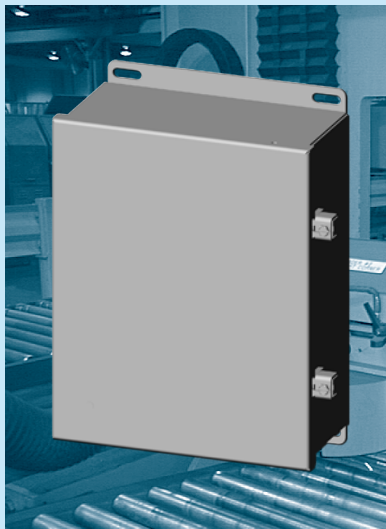
- 0.063" carbon steel.
- Seams continuously weled and ground smooth, no holes or knockouts.
- Continuous hinge with stainless steel pin.
- Stainless steel external screw clamps are quick and easy to operate.
- Oil resistant gasket.
- Standoffs provided for mounting optional sub-panels.
- Ground stud on door and body.

Finish -

ANSI-61 Gray powder coat inside and out. Optional sub-panels are powder coated white.

IS2 - Industry Standards -

NEMA Type 4, 12 & Type 13
 UL Listed Type 4 & 12
 CSA Type 4 & 12
 IEC 60529 IP66



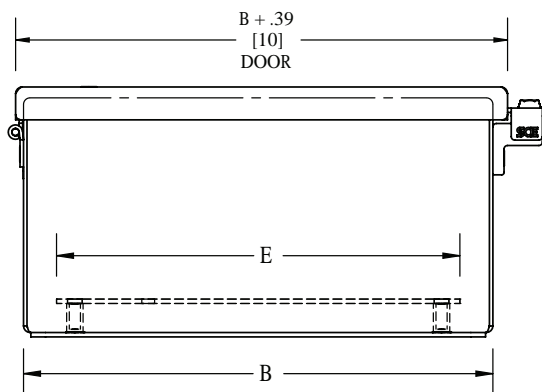
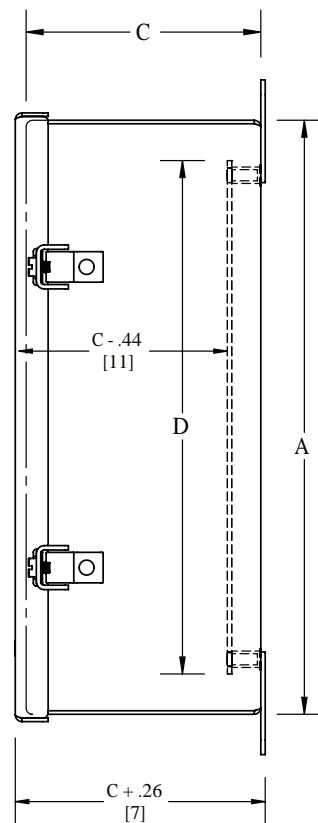
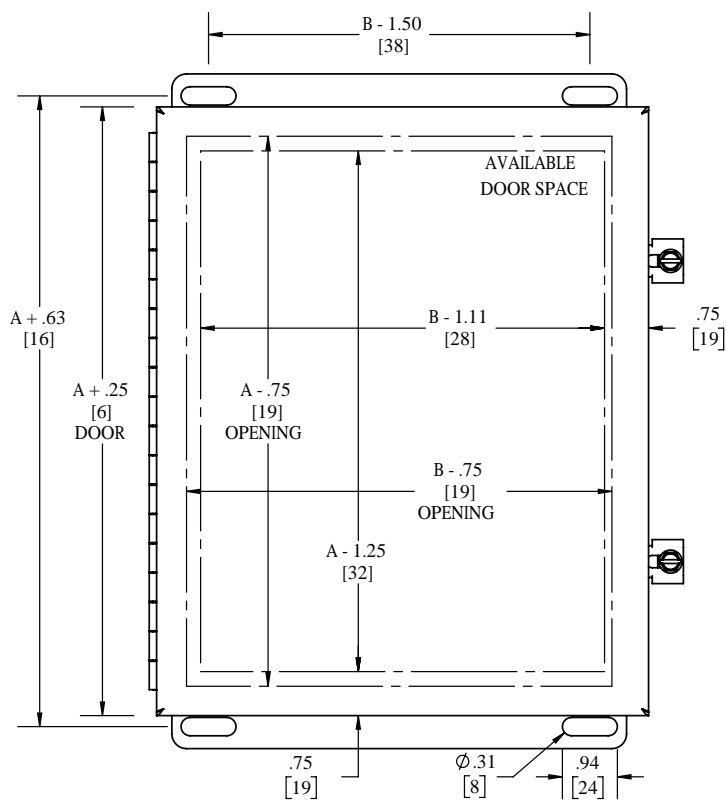
CONTINUOUS HINGE ENCLOSURES

ENCLOSURE PRODUCT CODE A1						SUB-PANEL (P3)			
Catalog No.	Height (A)	Width (B)	Depth (C)	Industry Standard	List Price	Catalog No.	Panel Height (D)	Panel Width (E)	List Price
SCE-404CHNF	4.13	4.00	3.00	IS2	37.68	No Panel	N/A		
SCE-4044CHNF	4.13	4.00	4.00	IS2	38.97	No Panel	N/A		
SCE-604CHNF	6.13	4.00	3.00	IS2	42.36	SCE-6P4	4.88	2.88	3.01
SCE-6044CHNF	6.13	4.00	4.00	IS2	45.48	SCE-6P4	4.88	2.88	3.01
SCE-606CHNF	6.13	6.00	4.00	IS2	49.37	SCE-6P6	4.88	4.88	3.61
SCE-806CHNF	8.13	6.00	3.50	IS2	53.27	SCE-8P6	6.75	4.88	4.17
SCE-8066CHNF	8.13	6.00	6.00	IS2	62.66	SCE-8P6	6.75	4.88	4.17
SCE-808CHNF	8.13	8.00	4.00	IS2	59.78	SCE-8P8	6.75	6.88	4.89
SCE-8086CHNF	8.13	8.00	6.00	IS2	68.69	SCE-8P8	6.75	6.88	4.89
SCE-1008CHNF	10.13	8.00	4.00	IS2	69.39	SCE-10P8	8.75	6.88	5.70
SCE-1008CHSNF	10.13	8.00	4.00	IS2	73.30	SCE-10P8	8.75	6.88	5.70
SCE-10086CHNF	10.13	8.00	6.00	IS2	79.24	SCE-10P8	8.75	6.88	5.70
SCE-10106CHNF	10.13	10.00	6.00	IS2	80.55	SCE-10P10	8.75	8.88	6.73
SCE-12064CHNF	12.13	6.00	4.00	IS2	63.66	SCE-12P6	10.75	4.88	5.35
SCE-1210CHNF	12.13	10.00	5.00	IS2	87.29	SCE-12P10	10.75	8.88	7.72
SCE-1210CHSNF	12.13	10.00	5.00	IS2	89.33	SCE-12P10	10.75	8.88	7.72
SCE-12106CHNF	12.13	10.00	6.00	IS2	91.96	SCE-12P10	10.75	8.88	7.72
SCE-12108CHNF	12.13	10.00	8.00	IS2	98.74	SCE-12P10	10.75	8.88	7.72
SCE-1212CHNF	12.13	12.00	6.00	IS2	101.32	SCE-12P12	10.75	10.88	9.08
SCE-14086CHNF	14.13	8.00	6.00	IS2	87.06	SCE-14P8	12.75	6.88	7.39
SCE-1412CHNF	14.13	12.00	6.00	IS2	112.50	SCE-14P12	12.75	10.88	10.13
SCE-1412CHSNF	14.13	12.00	6.00	IS2	118.13	SCE-14P12	12.75	10.88	10.13
SCE-14128CHNF	14.13	12.00	8.00	IS2	119.01	SCE-14P12	12.75	10.88	10.13
SCE-16106CHNF	16.13	10.00	6.00	IS2	102.65	SCE-16P10	14.75	8.88	9.90
SCE-1614CHNF	16.13	14.00	6.00	IS2	131.71	SCE-16P14	14.75	12.88	19.95
SCE-1614CHSNF	16.13	14.00	6.00	IS2	138.30	SCE-16P14	14.75	12.88	19.95
SCE-16148CHNF	16.13	14.00	8.00	IS2	143.66	SCE-16P14	14.75	12.88	19.95
SCE-161410CHNF	16.13	14.00	10.00	IS2	150.70	SCE-16P14	14.75	12.88	19.95

Catalog part numbers containing "S" are hinged on the short side.

**As inventory is depleted,
 replenishments will be the new style
 (starting in June 2016)**

CONTINUOUS HINGE ENCLOSURES TECHNICAL DATA



NOTE:
SUB-PANEL MUST BE ORDERED SEPARATELY.

CLAMPING NOTE:
ENCLOSURES < 10.00 [254] IN HEIGHT REQUIRE
ONE CLAMP CENTERED VERTICALLY ON DOOR.

304 & 316 Stainless Steel Continuous Hinge Enclosures

Application -

Designed to offer protection for all standard brands of oil-tight pushbuttons, switches, and pilot lights where slanted surfaces are desired. It offers protection from dust, dirt, oil and water. For installation information, consult our Installation Manual at www.saginawcontrol.com.

Construction -

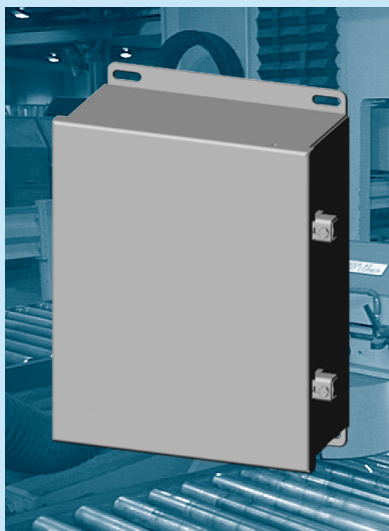
- 0.075" stainless steel Type 304 & 316/316L.
- Seams continuously weled and ground smooth.
- Stainless steel continuous hinge.
- Stainless steel external screw clamps are quick and easy to operate.
- Oil resistant gasket.
- Standoffs provided for mounting optional sub-panels.
- Ground stud on door and body.

Finish -

#4 brushed finish on all exterior surfaces. Optional sub-panels are powder coated white.

IS5 - Industry Standards -

NEMA Type 4, 4X, 12 & Type 13
 UL Listed Type 4, 4X & 12
 CSA Type 4, 4X & 12
 IEC 60529 IP66



304 STAINLESS STEEL CONTINUOUS HINGE ENCLOSURES

ENCLOSURE PRODUCT CODE S1						SUB-PANEL (P3)			
Catalog No.	Height (A)	Width (B)	Depth (C)	Industry Standard	List Price	Catalog No.	Panel Height (D)	Panel Width (E)	List Price
SCE-6044CHNFSS	6.13	4.00	4.00	IS5	176.45	SCE-6P4	4.88	2.88	3.01
SCE-606CHNFSS	6.13	6.00	4.00	IS5	220.89	SCE-6P6	4.88	4.88	3.61
SCE-8064CHNFSS	8.13	6.00	4.00	IS5	229.90	SCE-8P6	6.75	4.88	4.17
SCE-1008CHNFSS	10.13	8.00	4.00	IS5	332.84	SCE-10P8	8.75	6.88	5.70
SCE-10086CHNFSS	10.13	8.00	6.00	IS5	364.04	SCE-10P8	8.75	6.88	5.70
SCE-12106CHNFSS	12.13	10.00	6.00	IS5	411.42	SCE-12P10	10.75	8.88	7.72
SCE-12108CHNFSS	12.13	10.00	8.00	IS5	438.43	SCE-12P10	10.75	8.88	7.72
SCE-1212CHNFSS	12.13	12.00	6.00	IS5	440.78	SCE-12P12	10.75	10.88	9.08
SCE-1412CHNFSS	14.13	12.00	6.00	IS5	465.15	SCE-14P12	12.75	10.88	10.13
SCE-1614CHNFSS	16.13	14.00	6.00	IS5	548.38	SCE-16P14	14.75	12.88	19.95

316 STAINLESS STEEL CONTINUOUS HINGE ENCLOSURES

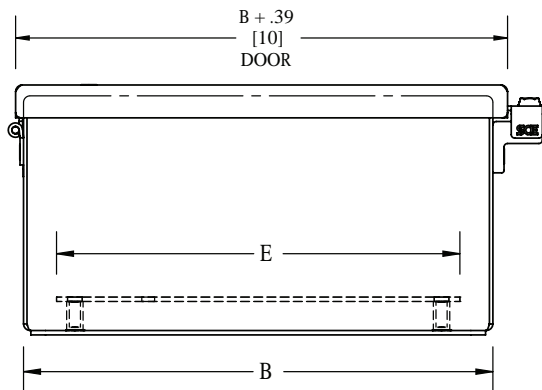
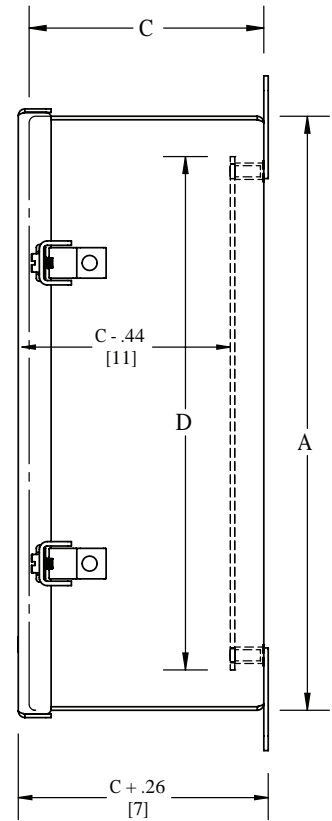
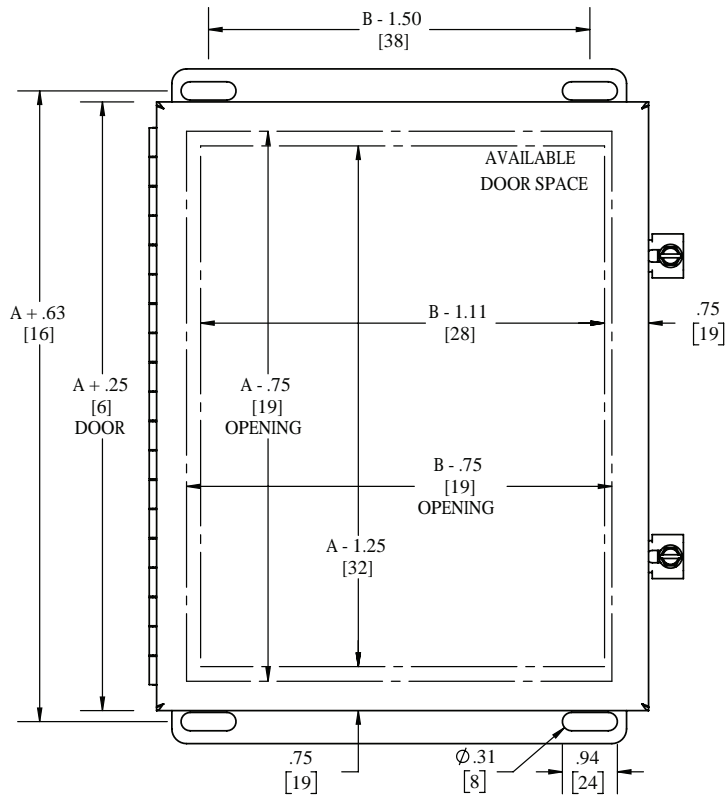
ENCLOSURE PRODUCT CODE S7						SUB-PANEL (P3)			
Catalog No.	Height (A)	Width (B)	Depth (C)	Industry Standard	List Price	Catalog No.	Panel Height (D)	Panel Width (E)	List Price
SCE-6044CHNFSS6	6.13	4.00	4.00	IS5	211.74	SCE-6P4	4.88	2.88	3.01
SCE-606CHNFSS6	6.13	6.00	4.00	IS5	241.06	SCE-6P6	4.88	4.88	3.61
SCE-8064CHNFSS6	8.13	6.00	4.00	IS5	263.88	SCE-8P6	6.75	4.88	4.17
SCE-1008CHNFSS6	10.13	8.00	4.00	IS5	389.42	SCE-10P8	8.75	6.88	5.70
SCE-10086CHNFSS6	10.13	8.00	6.00	IS5	425.88	SCE-10P8	8.75	6.88	5.70
SCE-12106CHNFSS6	12.13	10.00	6.00	IS5	457.71	SCE-12P10	10.75	8.88	7.72
SCE-12108CHNFSS6	12.13	10.00	8.00	IS5	526.12	SCE-12P10	10.75	8.88	7.72
SCE-1212CHNFSS6	12.13	12.00	6.00	IS5	504.94	SCE-12P12	10.75	10.88	9.08
SCE-1412CHNFSS6	14.13	12.00	6.00	IS5	552.19	SCE-14P12	12.75	10.88	10.13
SCE-1614CHNFSS6	16.13	14.00	6.00	IS5	658.05	SCE-16P14	14.75	12.88	19.95

Catalog part numbers containing "S" are hinged on the short side.

As inventory is depleted, replenishments will be the new style (starting in June 2016)

STAINLESS STEEL CONTINUOUS HINGE ENCLOSURES

TECHNICAL DATA



NOTE:
SUB-PANEL MUST BE ORDERED SEPARATELY.

CLAMPING NOTE:
ENCLOSURES < 10.00 [254] IN HEIGHT REQUIRE
ONE CLAMP CENTERED VERTICALLY ON DOOR.

**Enviroline® Series
Wall-Mount Enclosures
with 3-Point Hardware**

Application -

Designed to house electrical and electronic controls, instrumentation and components in indoor or outdoor locations. For outdoor applications a drip shield is recommended. For installation information, consult our Installation Manual at www.saginawcontrol.com.

Construction -

- 0.075" carbon steel.
- Seams continuously welded and ground smooth.
- Flange trough collar around all sides of door opening.
- Collar studs provided for mounting optional sub-panels.
- Mounting holes in back of the enclosure for wall mounting.
- Mounting hardware, sealing washers and hole plugs included.
- Concealed hinges.
- Removable and interchangeable doors.
- Black zinc die cast keylocking/padlocking handles.
- 3-point latching mechanism.
- Black quarter turn latches as required.
- Removable print pocket.
- Oil and water resistant gasket.
- Ground stud on door and body.

Finish -

ANSI-61 Gray powder coat inside and out. Optional sub-panels are powder coated white.

IS2 - Industry Standards -

NEMA Type 4, 12 & Type 13
UL Listed Type 4 & 12
CSA Type 4 & 12
IEC 60529 IP66

**ENVIROLINE® SERIES WALL-MOUNT ENCLOSURES
WITH 3-POINT HARDWARE**

ENCLOSURE PRODUCT CODE E3						SUB-PANEL (P3)			
Catalog No.	Height (A)	Width (B)	Depth (C)	Industry Standard	List Price	Catalog No.	Panel Height (D)	Panel Width (E)	List Price
SCE-24EL2010LPPL	24.00	20.00	10.00	IS2	403.89	SCE-24P20	21.00	17.00	45.57
SCE-24EL2410LPPL	24.00	24.00	10.00	IS2	440.80	SCE-24P24	21.00	21.00	53.18
SCE-30EL2412LPPL	30.00	24.00	12.00	IS2	477.70	SCE-30P24	27.00	21.00	63.29
SCE-30EL3012LPPL	30.00	30.00	12.00	IS2	534.28	SCE-30P30	27.00	27.00	83.55
SCE-36EL2412LPPL	36.00	24.00	12.00	IS2	515.83	SCE-36P24	33.00	21.00	75.96
SCE-36EL3012LPPL	36.00	30.00	12.00	IS2	563.81	SCE-36P30	33.00	27.00	101.27
SCE-42EL3612LPPL	42.00	36.00	12.00	IS2	662.22	SCE-42P36	39.00	33.00	136.72
SCE-48EL3612LPPL	48.00	36.00	12.00	IS2	711.44	SCE-48P36	45.00	33.00	154.46
SCE-48EL3616LPPL	48.00	36.00	16.00	IS2	769.25	SCE-48P36	45.00	33.00	154.46
SCE-60EL3612LPPL	60.00	36.00	12.00	IS2	809.85	SCE-60P36	57.00	33.00	189.89
SCE-60EL3616LPPL	60.00	36.00	16.00	IS2	876.28	SCE-60P36	57.00	33.00	189.89
SCE-60EL3624LPPL	60.00	36.00	24.00	IS2	1,238.73	SCE-60P36	57.00	33.00	189.89
SCE-72EL3624LPPL	72.00	36.00	24.00	IS2	1,404.61	SCE-72P36	69.00	33.00	225.33

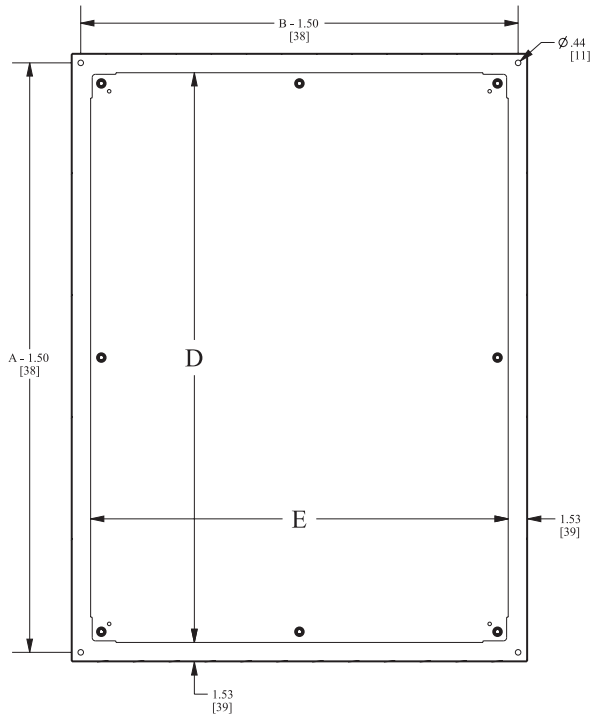
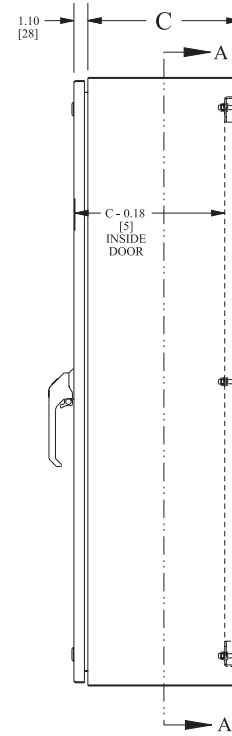
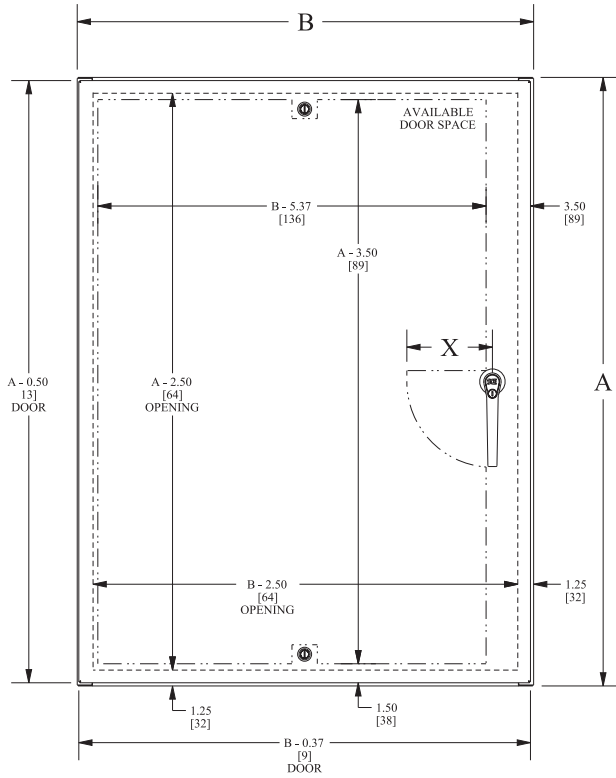
Available Now



Phone (989) 799-6871
Fax (989) 799-4524



ENVIROLINE® SERIES WALL-MOUNT ENCLOSURES WITH 3-POINT HARDWARE TECHNICAL DATA



LATCH NOTES:
OMIT CENTER LATCH TOP AND BOTTOM
OF DOOR WHEN DOOR WIDTH IS < 30.00 [762]

HANDLE NOTES:
WHEN ENCLOSURE HEIGHT ≤ 42.00 [1067]
"X" = 5.50 [140]
WHEN ENCLOSURE HEIGHT > 42.00 [1067]
"X" = 6.75 [172]

Enviroline® Series Free-Standing Two-Door Enclosures

Application -

Designed to house a variety of electrical and electronic controls and instruments. Provisions for optional surface mounting or rack mounting of almost any type of equipment. Provides protection from dust, dirt, water and oil. The enclosures are extra deep for applications requiring more interior space.

Construction -

- 0.104" carbon steel.
- Removable and interchangeable doors.
- Concealed hinge.
- Seams continuously welded and ground smooth.
- Strong, rigid construction with stiffeners welded on backs of single access boxes.
- Lifting eyes for easy handling.
- Black zinc die cast keylocking/padlocking handle.
- 3-point latching mechanism.
- Latch rods have ramp shoes for easier door closing.
- Flange trough collar around all sides of door opening.
- Removable center post.
- Removable print pocket provided on door with w-point latch.
- Mounting channels welded horizontally on sides of interior body at top, bottom and middle for mounting optional panels or rack mounting angles.
- Oil resistant gasket.
- Ground stud on door.
- Provisions for light kit.

Finish -

ANSI-61 gray finish Inside and outside. Optional sub-panels are powder coated white.

Accessories - See pages 116-123

IS4 - Industry Standards -

NEMA Type 3R, 4, 12 & Type 13
UL Listed Type 3R, 4 & 12
CSA Type 3R, 4 & 12
IEC 60529 IP66

***Special Instructions apply for IS3, IS4 and IS6 to maintain the environmental rating of Type 3R for these parts. See the Special Instructions on the Industry Standards page in the Technical Information Section.

ENVIROLINE® SERIES FREE-STANDING TWO-DOOR ENCLOSURES

ENCLOSURE PRODUCT CODE A2					
Catalog No.	Height (A)	Width (B)	Depth (C)	Industry Standard	List Price
SCE-60EL4818FSD	60.00	48.00	18.00	IS4	2,207.05
SCE-72EL4818FSD	72.00	48.00	18.00	IS4	2,443.05
SCE-72EL4824FSD	72.00	48.00	24.00	IS4	2,601.58
SCE-72EL6018FSD	72.00	60.00	18.00	IS4	2,680.41
SCE-72EL6024FSD	72.00	60.00	24.00	IS4	2,854.78
SCE-72EL6036FSD	72.00	60.00	36.00	IS4	3,201.13
SCE-72EL7218FSD	72.00	72.00	18.00	IS4	2,937.72
SCE-72EL7224FSD	72.00	72.00	24.00	IS4	3,128.82
SCE-90EL4820FSD	90.00	48.00	20.00	IS4	2,828.89
SCE-90EL7220FSD	90.00	72.00	20.00	IS4	3,427.79
SCE-90EL7224FSD	90.00	72.00	24.00	IS4	3,568.73
SCE-90EL7236FSD	90.00	72.00	36.00	IS4	3,996.30

Available Now

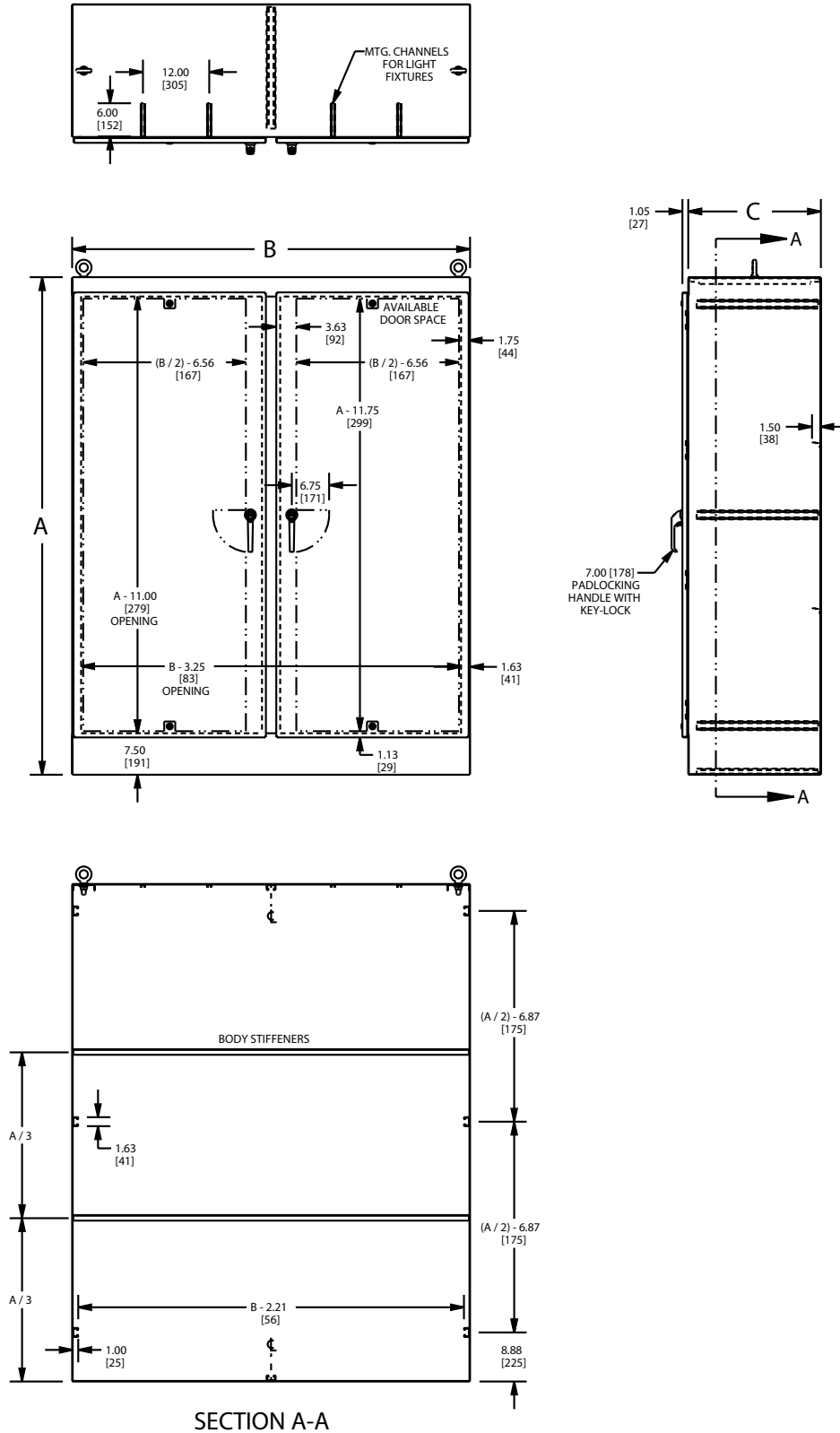


Phone (989) 799-6871
Fax (989) 799-4524



ENVIROLINE® SERIES FREE-STANDING TWO-DOOR ENCLOSURES

TECHNICAL DATA



SECTION A-A

XD Heavy Duty Free-Standing Enclosures with External Disconnects Installed

Application -

Designed to house the main power supply in external enclosure on the right side of main enclosure, keeping the live side of the power supply separate from the primary electrical equipment. Provides protection from dirt, dust, oil and water and can house most standard type disconnects. For installation information consult our Installation Manual at www.saginawcontrol.com.

Construction -

- 0.125" carbon steel.
- Seams continuously welded and ground smooth.
- Flange trough collar around all sides of door opening.
- Body stiffeners in large enclosures for extra rigidity.
- Heavy duty lifting eyes anchor into reinforced top.
- Removable center posts permit easy panel installation.
- Concealed hinge.
- Black zinc diecast padlocking handles.
- 3-point latching mechanism.
- Large removable print pockets.
- Oil-resistant gasket.
- Removable panels mount on collar studs.
- Defeater on master door requires a screwdriver to open.
- Mechanical interlock activated by the External Disconnect prevents main door of the enclosure from being closed unless the EXD enclosure is first closed.
- Mechanical interlock activated by master door prevents slave doors from being opened first. Doors can be closed in any order.
- Ground stud on door and body.
- Provisions for light kit.

Disconnect switch (or circuit breaker) and operating mechanism are not furnished with enclosure.

Finish -

ANSI-61 gray powder coated inside and out. Sub-panels are powder coated white.

IS3 - Industry Standards -
NEMA Type 3R, 12 & Type 13
UL Listed Type 3R & 12
CSA Type 3R & 12
IEC 60529 IP 55

IS4 - Industry Standards -
NEMA Type 3R, 4, 12 & Type 13
UL Listed Type 3R, 4 & 12
CSA Type 3R, 4 & 12
IEC 60529 IP 66

***Special Instructions apply for IS3, IS4 and IS6 to maintain the environmental rating of Type 3R for these parts. See the Special Instructions on the Industry Standards page in the Technical Information Section.

XD HEAVY DUTY FREE-STANDING ENCLOSURES WITH EXTERNAL DISCONNECT INSTALLED SINGLE-DOOR ENCLOSURES

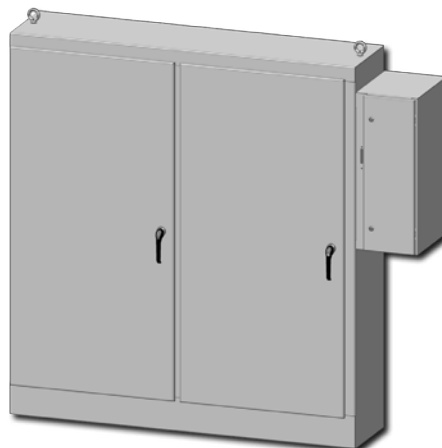
ENCLOSURE PRODUCT CODE A2						SUB-PANEL (P3)			
Catalog No.	Height (A)	Width (B)	Depth (C)	Industry Standard	List Price	Catalog No.	Panel Height (D)	Panel Width (E)	List Price
SCE-72XD2818	72.00	27.50	18.00	IS4	2,697.79	SCE-64P25**	60.00	21.75	Included
SCE-72XD3418	72.00	33.50	18.00	IS3	2,867.38	SCE-64P31**	60.00	27.75	Included
SCE-72XD4018	72.00	39.50	18.00	IS3	3,036.98	SCE-64P37**	60.00	33.75	Included
SCE-84XD4018	84.00	39.50	18.00	IS3	3,249.56	SCE-76P37**	72.00	33.75	Included
SCE-90XD4018	90.00	39.50	18.00	IS3	3,400.06	SCE-82P37**	78.00	33.75	Included

TWO-DOOR ENCLOSURES

ENCLOSURE PRODUCT CODE A2						SUB-PANEL (P3)			
Catalog No.	Height (A)	Width (B)	Depth (C)	Industry Standard	List Price	Catalog No.	Panel Height (D)	Panel Width (E)	List Price
SCE-72XD5418	72.00	53.75	18.00	IS4	3,880.19	SCE-64P52**	60.00	48.00	Included
SCE-72XD6618	72.00	65.75	18.00	IS3	4,228.93	SCE-64P64**	60.00	60.00	Included
SCE-72XD7818	72.00	77.75	18.00	IS3	4,955.10	SCE-64P76**	60.00	72.00	Included
SCE-84XD7818	84.00	77.75	18.00	IS3	3,823.10	SCE-76P76**	72.00	72.00	Included
SCE-90XD7818	90.00	77.75	18.00	IS3	5,214.27	SCE-82P76**	78.00	72.00	Included

THREE-DOOR ENCLOSURES

ENCLOSURE PRODUCT CODE A2						SUB-PANEL (P3)			
Catalog No.	Height (A)	Width (B)	Depth (C)	Industry Standard	List Price	Catalog No.	Panel Height (D)	Panel Width (E)	List Price
SCE-72XD3EQ18	72.00	99.50	18.00	IS3	5,248.91	SCE-64P31**	60.00	27.75	Included
						& SCE-64P64**	60.00	60.00	Included
SCE-72XD3EW18	72.00	117.50	18.00	IS3	5,766.06	SCE-64P37**	60.00	33.75	Included
						& SCE-64P76**	60.00	72.00	Included
SCE-84XD3EW18	84.00	117.50	18.00	IS3	6,298.74	SCE-76P37**	72.00	33.75	Included
						& SCE-76P76**	72.00	72.00	Included



Available Now

Phone (989) 799-6871
Fax (989) 799-4524



**XD HEAVY DUTY STAINLESS STEEL
FREE-STANDING ENCLOSURES
WITH EXTERNAL DISCONNECT INSTALLED**

SINGLE-DOOR ENCLOSURES

ENCLOSURE PRODUCT CODE S2						SUB-PANEL (P3)			
Catalog No.	Height (A)	Width (B)	Depth (C)	Industry Standard	List Price	Catalog No.	Panel Height (D)	Panel Width (E)	List Price
SCE-72XD2818SS	72.00	27.50	18.00	IS5	8,195.10	SCE-64P25**	60.00	21.75	Included
SCE-72XD3418SS	72.00	33.50	18.00	IS5	8,805.44	SCE-64P31**	60.00	27.75	Included
SCE-72XD4018SS	72.00	39.50	18.00	IS5	9,415.82	SCE-64P37**	60.00	33.75	Included
SCE-84XD4018SS	84.00	39.50	18.00	IS5	10,180.90	SCE-76P37**	72.00	33.75	Included
SCE-90XD4018SS	90.00	39.50	18.00	IS5	10,722.50	SCE-82P37**	78.00	33.75	Included

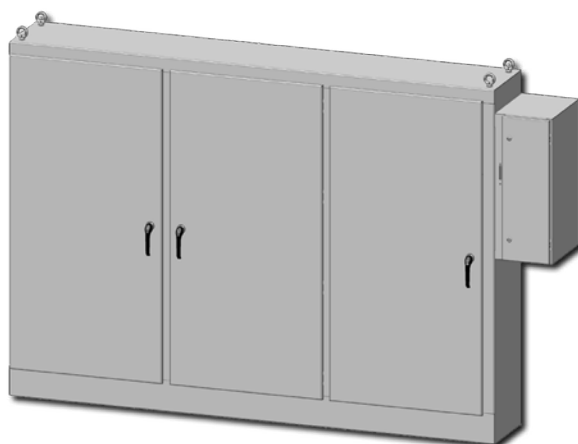
TWO-DOOR ENCLOSURES

ENCLOSURE PRODUCT CODE S2						SUB-PANEL (P3)			
Catalog No.	Height (A)	Width (B)	Depth (C)	Industry Standard	List Price	Catalog No.	Panel Height (D)	Panel Width (E)	List Price
SCE-72XD5418SS	72.00	53.75	18.00	IS5	12,450.44	SCE-64P52**	60.00	48.00	Included
SCE-72XD6618SS	72.00	65.75	18.00	IS5	13,705.52	SCE-64P64**	60.00	60.00	Included
SCE-72XD7818SS	72.00	77.75	18.00	IS5	14,956.34	SCE-64P76**	60.00	72.00	Included
SCE-84XD7818SS	84.00	77.75	18.00	IS5	16,318.93	SCE-76P76**	72.00	72.00	Included
SCE-90XD7818SS	90.00	77.75	18.00	IS5	17,251.64	SCE-82P76**	78.00	72.00	Included

THREE-DOOR ENCLOSURES

ENCLOSURE PRODUCT CODE S2						SUB-PANEL (P3)			
Catalog No.	Height (A)	Width (B)	Depth (C)	Industry Standard	List Price	Catalog No.	Panel Height (D)	Panel Width (E)	List Price
SCE-72XD3EQ18SS	72.00	99.50	18.00	IS5	17,376.33	SCE-64P31** &	60.00	27.75	Included
SCE-72XD3EW18SS	72.00	117.50	18.00	IS5	19,237.48	SCE-64P64**	60.00	60.00	Included
						SCE-64P37** &	60.00	33.75	Included
SCE-84XD3EW18SS	84.00	117.50	18.00	IS5	21,154.54	SCE-64P76**	60.00	72.00	Included
						SCE-76P37** &	72.00	33.75	Included
						SCE-76P76**	72.00	72.00	Included

Available Now



**XD Heavy Duty
Free-Standing Stainless
Steel Enclosures With
External Disconnect
Installed**

Application -

Designed to house the main power supply in external enclosure on the right side of main enclosure, keeping the live side of the power supply separate from the primary electrical equipment. Provides protection from dirt, dust, oil and water and can house most standard type disconnects. For Installation information consult our Installation Manual at www.saginawcontrol.com.

Construction -

- 0.104" stainless steel Type 304.
- Seams continuously welded and ground smooth.
- Flange trough collar around all sides of door opening.
- Body stiffeners in large enclosures for extra rigidity.
- Heavy duty lifting eyes anchor into reinforced top.
- Removable center posts permit easy panel installation.
- Concealed hinge.
- Black zinc diecast handles.
- 3-point latching mechanism.
- Large removable print pockets.
- Oil-resistant gasket.
- Removable panels mount on collar studs.
- Defeater on master door requires a screwdriver to open.
- Mechanical interlock activated by the External Disconnect prevents main door of the enclosure from being closed unless the EXD enclosure is first closed.
- Mechanical interlock activated by master door prevents slave doors from being opened first. Doors can be closed in any order.
- Ground stud on door and body.
- Provisions for light kit.

Disconnect switch (or circuit breaker) and operating mechanism are not furnished with enclosure.

Finish -

#4 brushed finish on all exterior surfaces. Sub-panels are powder coated white.

IS5 - Industry Standards -

NEMA Type 4, 4X, 12 & Type 13
UL Listed Type 4, 4X & 12
CSA Type 4, 4X & 12
IEC 60529 IP 66

***Special Instructions apply for IS3, IS4 and IS6 to maintain the environmental rating of Type 3R for these parts. See the Special Instructions on the Industry Standards page in the Technical Information Section.

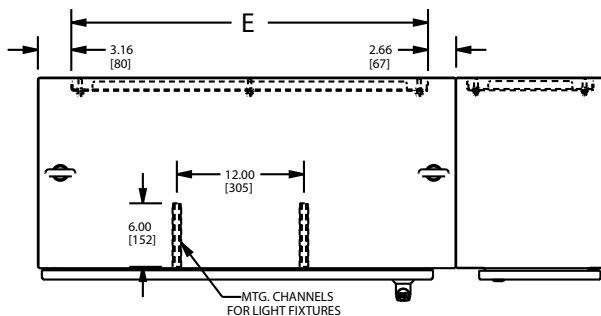


Phone (989) 799-6871
Fax (989) 799-4524

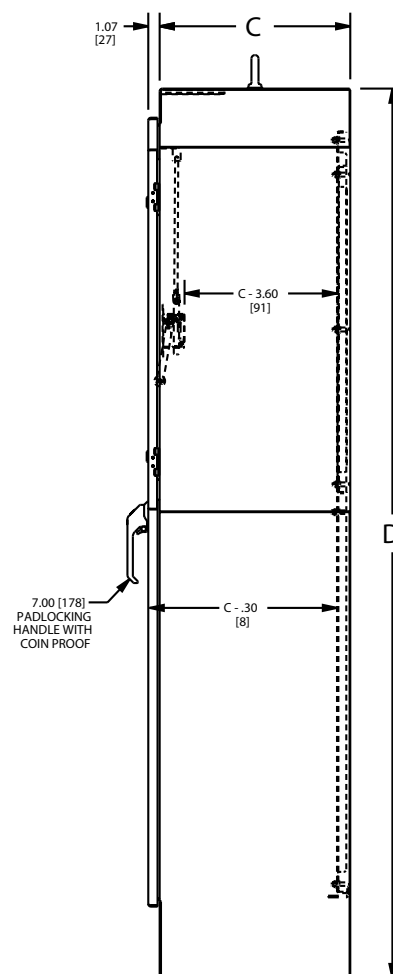
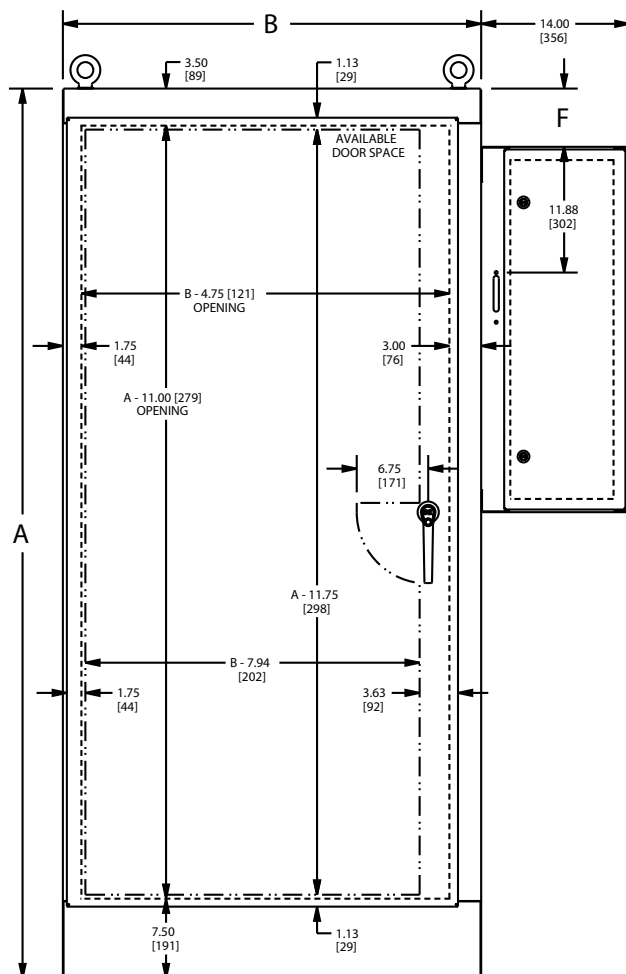
XD HEAVY DUTY FREE-STANDING ENCLOSURES WITH EXTERNAL DISCONNECT INSTALLED

TECHNICAL DATA

SINGLE-DOOR ENCLOSURE



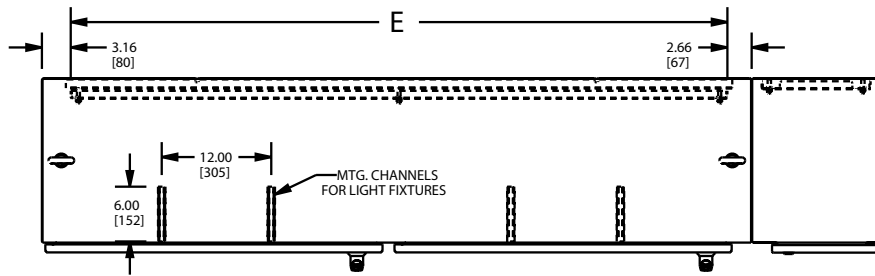
STANDARD DISCONNECTS:
F = 0.00 [0] when A = 72.00 [1829]
F = 5.50 [138] when A = 84.00 [2134]
F = 8.50 [216] when A = 90.00 [2286]



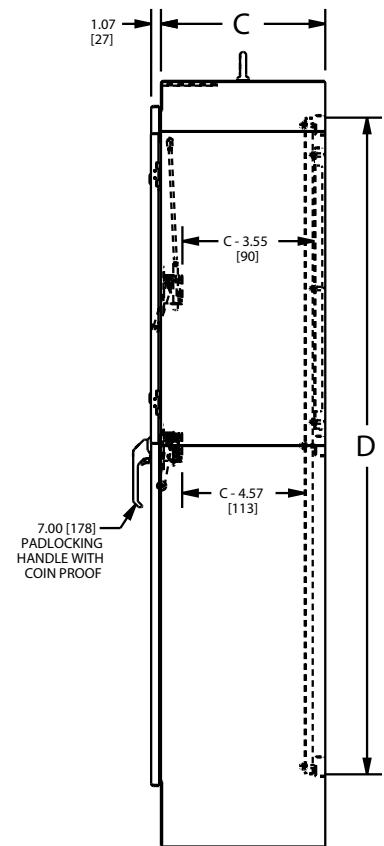
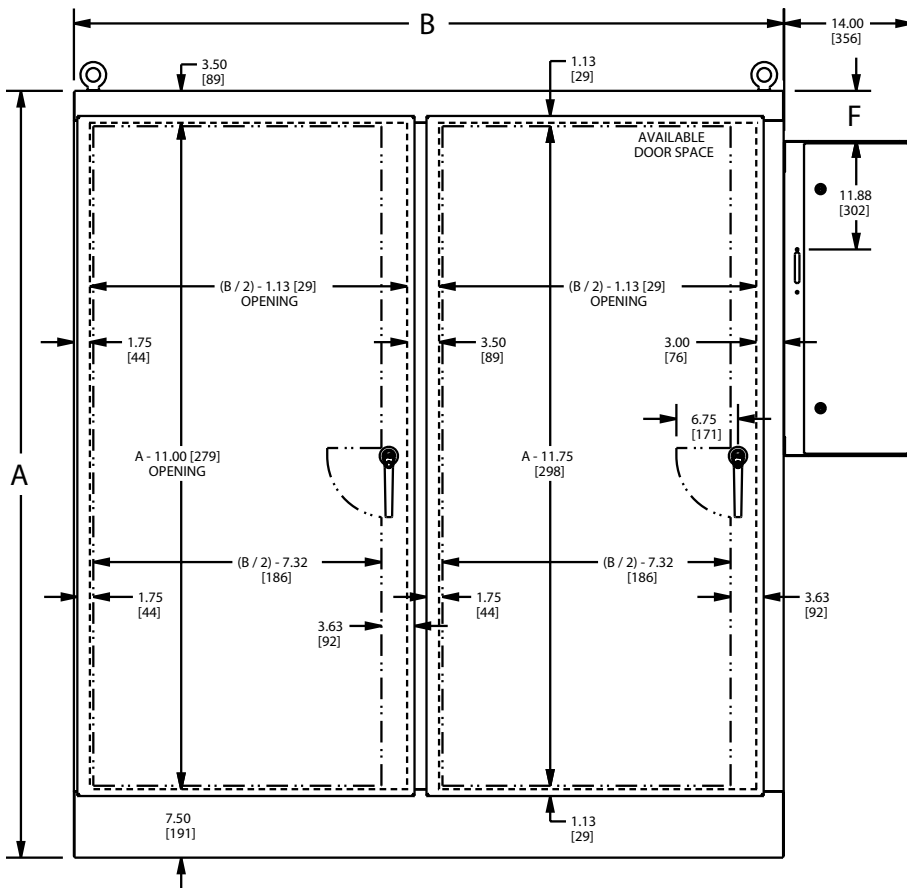
**XD HEAVY DUTY FREE-STANDING ENCLOSURES
WITH EXTERNAL DISCONNECT INSTALLED**

TECHNICAL DATA

TWO-DOOR ENCLOSURE



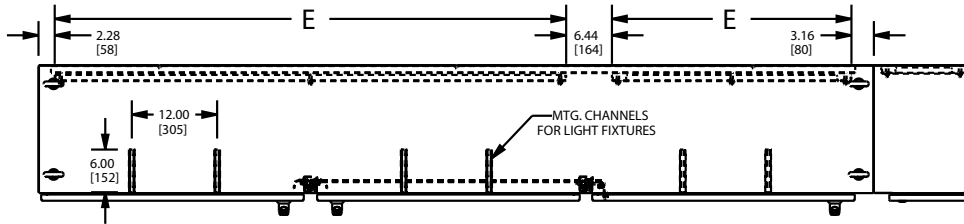
STANDARD DISCONNECTS:
 F = 0.00 [0] when A = 72.00 [1829]
 F = 5.50 [138] when A = 84.00 [2134]
 F = 8.50 [216] when A = 90.00 [2286]



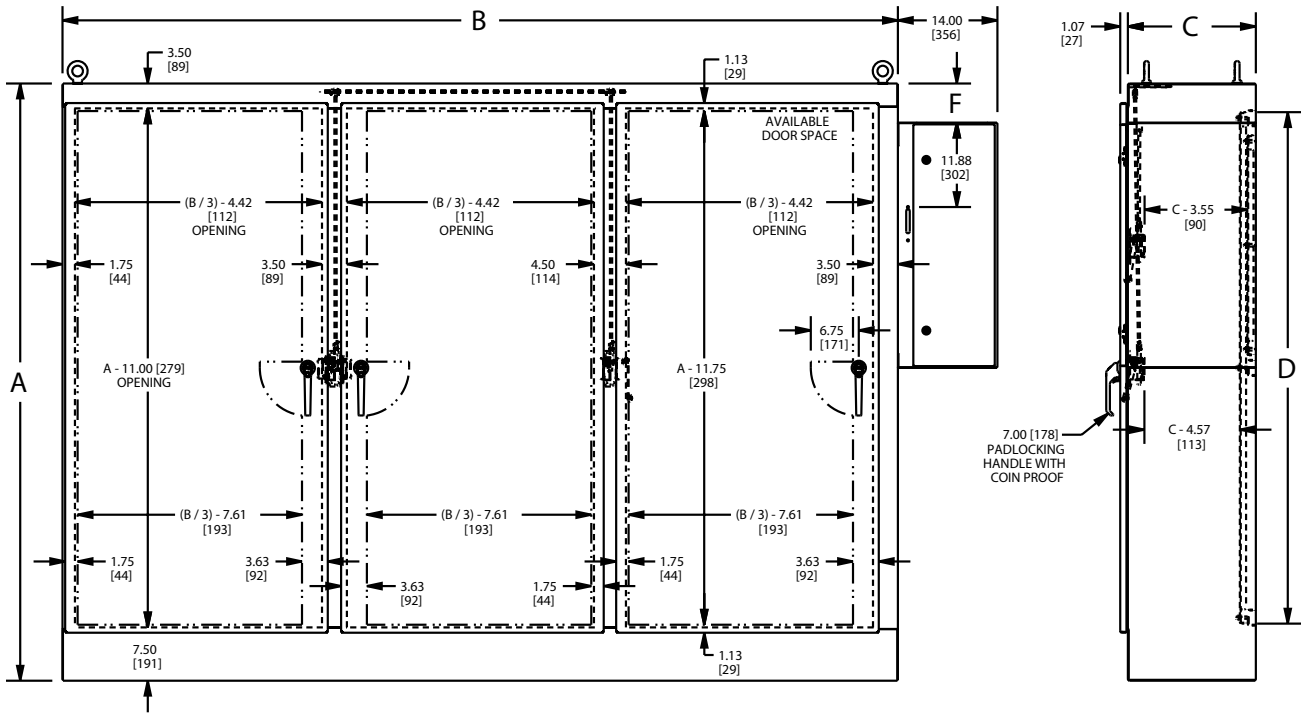
XD HEAVY DUTY FREE-STANDING ENCLOSURES WITH EXTERNAL DISCONNECT INSTALLED

TECHNICAL DATA

THREE-DOOR ENCLOSURE



STANDARD DISCONNECTS:
 F = 0.00 [0] when A = 72.00 [1829]
 F = 5.50 [138] when A = 84.00 [2134]
 F = 8.50 [216] when A = 90.00 [2286]



Heavy Duty Free-Standing Stainless Steel Enclosures For Flange-Mounted Disconnects

Application -

Designed to house electrical equipment and provide protection from dirt, dust, oil and water and to house most standard type disconnects. For installation information, consult our Installation Manual at www.saginawcontrol.com.

Construction -

- 0.125" stainless steel Type 304.
- Seams continuously welded and ground smooth.
- Flange trough collar around all sides of door opening.
- Body stiffeners in large enclosures for extra rigidity.
- Heavy duty lifting eyes anchor into reinforced top.
- Removable center posts permit easy sub-panel installation.
- Stainless Steel concealed hinges.
- Black zinc die cast coinproof/padlocking handle on main door with black zinc die cast padlocking handle on slave doors.
- 3-point latching mechanism.
- Panel supports.
- Large removable print pockets.
- Oil-resistant gasket.
- Removable sub-panels mount on collar studs.
- Master door is far right-hand door on all enclosures.
- Defeater on master door requires a screwdriver to open.
- Mechanical interlock activated by master door prevents slave doors from being opened first. Doors can be closed in any order.
- Ground stud on door.

Disconnect switch (or circuit breaker) and operating mechanism are not furnished with enclosure.

Finish -

#4 brush finish on all exterior surfaces.
Sub-panels are powder coated white.

IS5 - Industry Standards -

NEMA Type 3R, 12 & Type 13
UL Listed Type 3R & 12
CSA Type 3R & 12
IEC 60529 IP 55

IS6 - Industry Standards -

NEMA Type 3R, 4, 4X, 12 & Type 13
UL Listed Type 3R, 4, 4X & 12
CSA Type 3R, 4, 4X & 12
IEC 60529 IP 66

***Special Instructions apply for IS3, IS4 and IS6 to maintain the environmental rating of Type 3R for these parts. See the Special Instructions on the Industry Standards page in the Technical Information Section.

HEAVY DUTY FREE-STANDING ENCLOSURES FOR FLANGE-MOUNTED DISCONNECTS FOUR-DOOR STAINLESS STEEL ENCLOSURES

ENCLOSURE PRODUCT CODE S2						SUB-PANEL (P3)			
Catalog No.	Height (A)	Width (B)	Depth (C)	Industry Standard	List Price	Catalog No.	Panel Height (D)	Panel Width (E)	List Price
SCE-84XM4EW18SS	84.00	157.50	18.00	IS5	25,852.40	SCE-76P76**(2)	72.00	72.00	Included
SCE-84XM4EW24SS	84.00	157.50	24.00	IS6	27,014.22	SCE-76P76**(2)	72.00	72.00	Included
SCE-90XM4EW18SS	90.00	157.50	18.00	IS5	26,944.43	SCE-82P76**(2)	78.00	72.00	Included
SCE-90XM4EW24SS	90.00	157.50	24.00	IS6	27,982.42	SCE-82P76**(2)	78.00	72.00	Included

FIVE-DOOR STAINLESS ENCLOSURES

ENCLOSURE PRODUCT CODE S2						SUB-PANEL (P3)			
Catalog No.	Height (A)	Width (B)	Depth (C)	Industry Standard	List Price	Catalog No.	Panel Height (D)	Panel Width (E)	List Price
SCE-84XM5EW18SS	84.00	196.75	18.00	IS5	32,254.81	SCE-76P76**(2) & SCE-76P37**	72.00	72.00	Included
SCE-84XM5EW24SS	84.00	196.75	24.00	IS6	33,634.14	SCE-76P76**(2) & SCE-76P37**	72.00	72.00	Included
SCE-90XM5EW18SS	90.00	196.75	18.00	IS5	33,542.74	SCE-82P76**(2) & SCE-82P37**	78.00	72.00	Included
SCE-90XM5EW24SS	90.00	196.75	24.00	IS5	34,842.54	SCE-82P76**(2) & SCE-82P37**	78.00	72.00	Included

SIX-DOOR STAINLESS ENCLOSURES

ENCLOSURE PRODUCT CODE S2						SUB-PANEL (P3)			
Catalog No.	Height (A)	Width (B)	Depth (C)	Industry Standard	List Price	Catalog No.	Panel Height (D)	Panel Width (E)	List Price
SCE-84XM6EW24SS	84.00	235.00	24.00	IS5	40,104.23	SCE-76P76**(3)	72.00	72.00	Included
SCE-90XM6EW24SS	90.00	235.00	24.00	IS5	41,652.77	SCE-82P76**(3)	78.00	72.00	Included

Available within 10 working days if not in stock

Available Now



**Sub-panel included with enclosure. Replacement sub-panels can be ordered. Prices found in the accessory section.

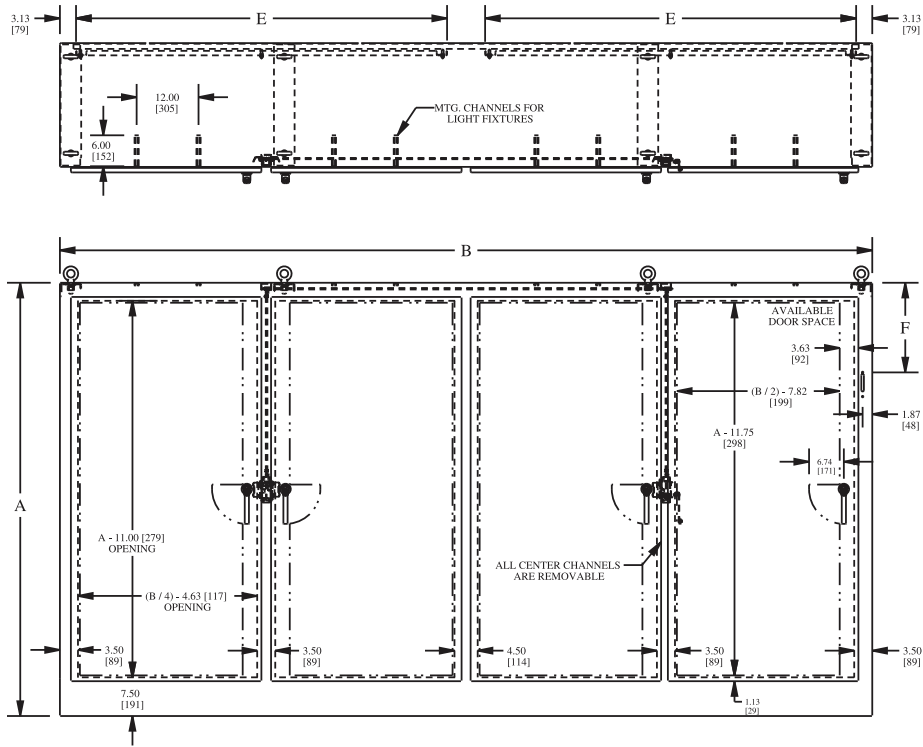
Phone (989) 799-6871
Fax (989) 799-4524



FREE-STANDING STAINLESS STEEL ENCLOSURES FOR FLANGE-MOUNTED DISCONNECTS

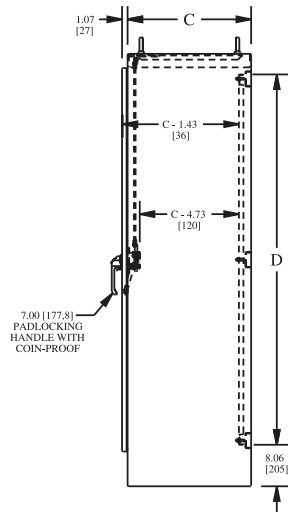
TECHNICAL DATA

FOUR-DOOR ENCLOSURE



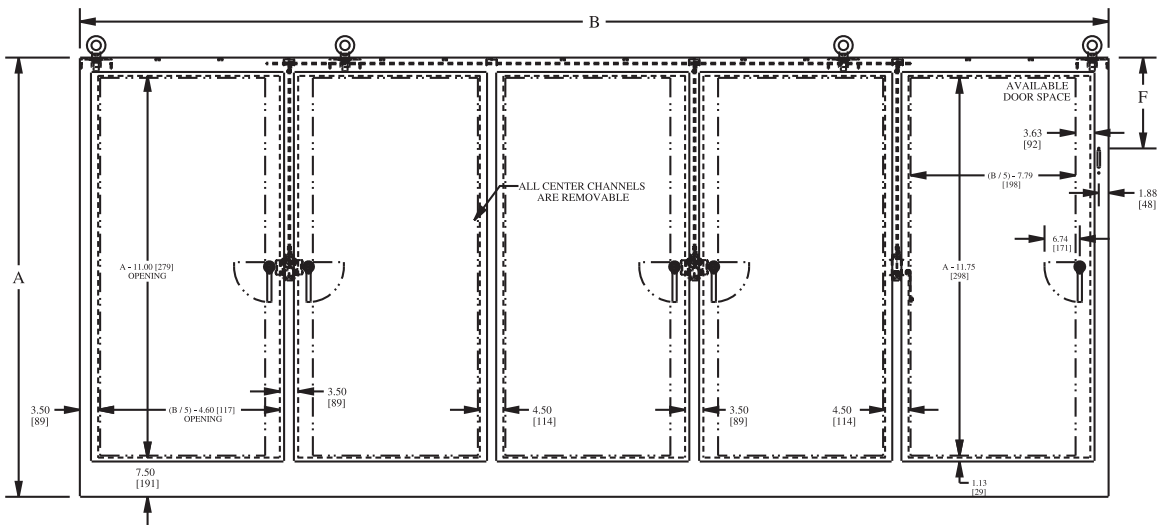
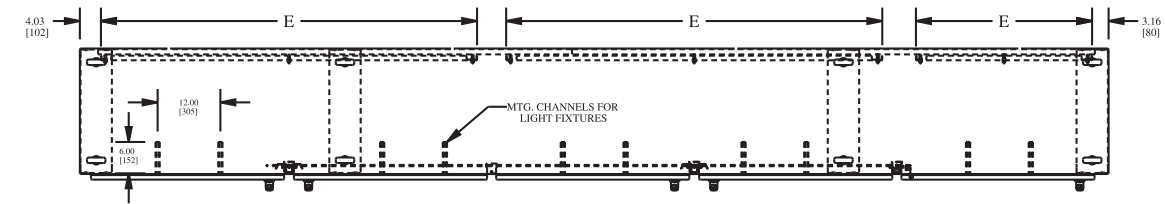
STANDARD DISCONNECTS:
F = 11.88 [301.7] when A = 72.00 [1828.8]
F = 17.38 [441.4] when A = 84.00 [2133.6]
F = 20.38 [517.6] when A = 90.00 [228.6]

U TYPE (Universal) DISCONNECTS:
F = 17.63 [447.8]



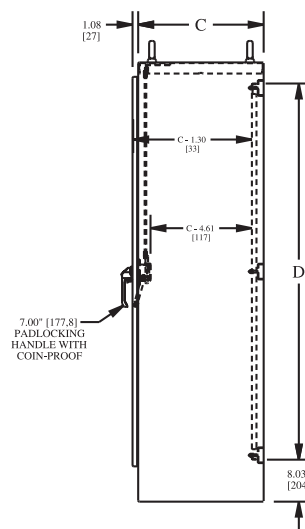
FREE-STANDING STAINLESS STEEL ENCLOSURES FOR FLANGE-MOUNTED DISCONNECTS TECHNICAL DATA

FIVE-DOOR ENCLOSURE



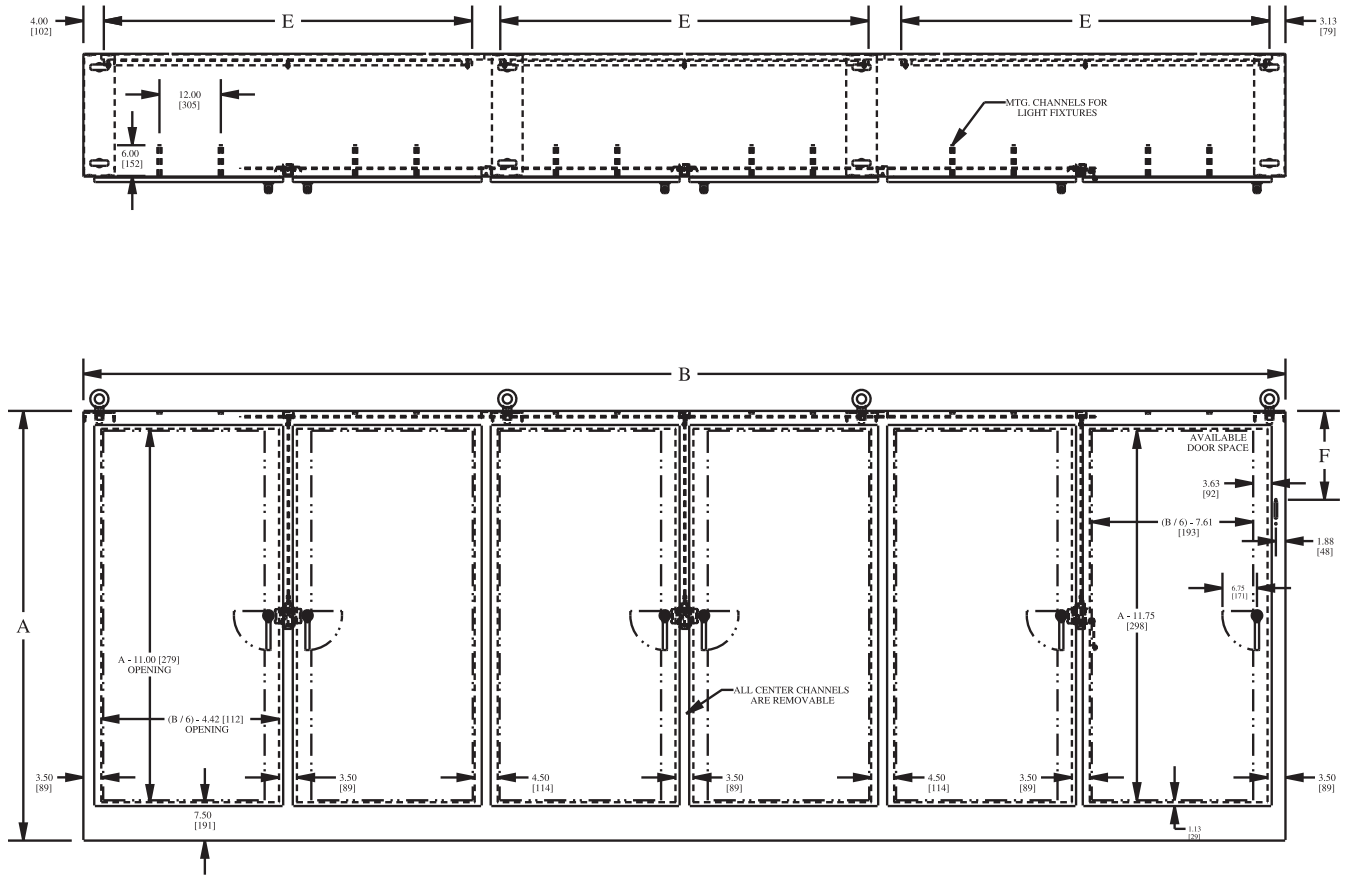
STANDARD DISCONNECTS:
 F = 11.88 [301,7] when A = 72.00 [1828,8]
 F = 17.38 [441,4] when A = 84.00 [2133,6]
 F = 20.38 [517,6] when A = 90.00 [228,6]

U TYPE (Universal) DISCONNECTS:
 F = 17.63 [447,8]



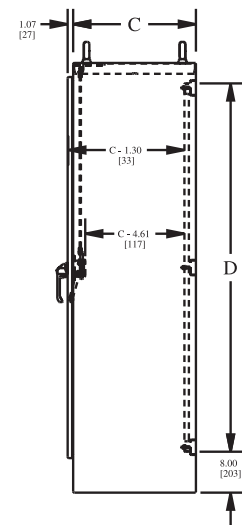
FREE-STANDING STAINLESS STEEL ENCLOSURES FOR FLANGE-MOUNTED DISCONNECTS TECHNICAL DATA

SIX-DOOR ENCLOSURE



STANDARD DISCONNECTS:
 $F = 11.88$ [301,7] when $A = 72.00$ [1828,8]
 $F = 17.38$ [441,4] when $A = 84.00$ [2133,6]
 $F = 20.38$ [517,6] when $A = 90.00$ [228,6]

U TYPE (Universal) DISCONNECTS:
 $F = 17.63$ [447,8]



Stainless Steel Desk Consoles

Application -

Intended for indoor use to provide a degree of protection to personnel against access to hazardous parts also to provide a degree of protection for the equipment inside the enclosure against ingress of solid foreign objects and falling dirt, to provide a degree of protection with respect to harmful effects on the equipment due to the ingress of water, splashing water. Designed for use in a standing or sitting position with single and dual access and top that opens for easy accessibility. For installation information, consult our Installation Manual at www.saginawcontrol.com.

Construction -

- 0.075" stainless steel Type 304 & 316/316L.
- Seams continuously welded and ground smooth.
- 25 Degree Sloped top.
- Door props on sloped door to hold in the open position.
- Oil and water resistant gasket.
- Flange trough collar around all sides of door opening.
- Concealed hinge.
- Removable doors.
- Removable print pocket.
- Ground studs on door and body.
- Rubber pads with provision for leveling pads on bottom of enclosure.
- Black, quarter turn latches on top door.
- Keylocking black 3-point flush swing handle in front door of single access, front and rear doors on dual access.
- Optional tamper-resistant inserts or padlocking handles are available.
- Mounting studs welded on interior back for mounting optional sub-panels on single access console.
- Mounting channels welded on sides of interior body for mounting optional sub-panels on dual access console.
- Mounting hardware included for (1) optional sub-panel.

Finish -

#4 brushed finish on all exterior surfaces. Optional sub-panels are powder coated white.

IS1 - Industry Standards -

NEMA Type 12 & Type 13
UL Listed Type 12
CSA Type 12
IEC 60529 IP55

IS5 - Industry Standards -

NEMA Type 4, 4X, 12 & Type 13
UL Listed Type 4, 4X & 12
CSA Type 4, 4X & 12
IEC 60529 IP66

304 STAINLESS STEEL DESK CONSOLES

ENCLOSURE PRODUCT CODE S10						SUB-PANEL (P3)			
Catalog No.	Height (A)	Width (B)	Depth (C)	Industry Standard	List Price	Catalog No.	Panel Height (D)	Panel Width (E)	List Price
Single Access Single Door									
SCE-402516SDCSS	40.25	25.25	15.50	IS5	3,749.87	SCE-30P24	27.00	21.00	63.29
SCE-403716SDCSS	40.25	37.25	15.50	IS5	4,262.27	SCE-36P30	33.00	27.00	101.27
SCE-462519SDCSS	46.25	25.25	18.50	IS5	5,166.34	SCE-36P24	33.00	21.00	75.96
SCE-463719SDCSS	46.25	37.25	18.50	IS1	5,734.38	SCE-36P36	33.00	33.00	118.99
Dual Access Single Door									
SCE-462519DCSS	46.00	25.25	18.50	IS5	5,503.92	SCE-36P24	33.00	21.00	75.96
SCE-463719DCSS	46.25	37.25	18.50	IS1	6,056.70	SCE-36P36	33.00	33.00	118.99
Single Access Two Door									
SCE-464919SDCSS	46.25	49.25	18.50	IS1	6,632.48	SCE-48P36	45.00	33.00	154.46
SCE-466019SDCSS	46.25	59.88	18.50	IS1	8,586.44	SCE-60PC36	55.63	33.00	181.41
Dual Access Overlapping Two Door									
SCE-464919DCSS	46.25	49.25	18.50	IS1	6,975.12	SCE-48P36	45.00	33.00	154.46
SCE-466019DCSS	46.25	59.88	18.50	IS1	9,271.50	SCE-60PC36	55.63	33.00	181.41
Dual Access Two Door with Center Channel									
SCE-464919DCCSS	46.25	49.25	18.50	IS5	7,791.16	SCE-48P36	45.00	33.00	154.46
SCE-466019DCCSS	46.25	59.88	18.50	IS5	10,009.00	SCE-60PC36	55.63	33.00	181.41

316 STAINLESS STEEL DESK CONSOLES

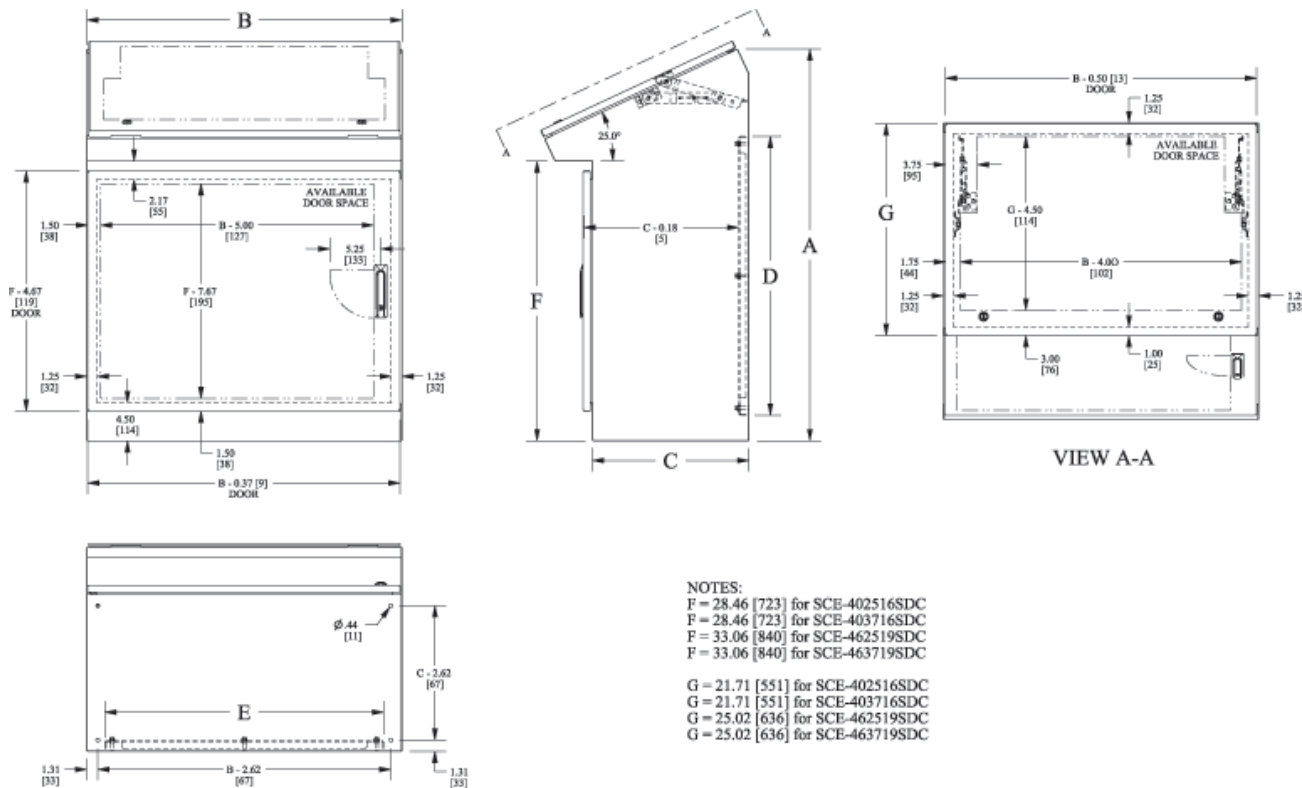
ENCLOSURE PRODUCT CODE S7						SUB-PANEL (P3)			
Catalog No.	Height (A)	Width (B)	Depth (C)	Industry Standard	List Price	Catalog No.	Panel Height (D)	Panel Width (E)	List Price
Single Access Single Door									
SCE-402516SDCSS6	40.25	25.25	15.50	IS5	3,899.86	SCE-30P24	27.00	21.00	63.29
SCE-403716SDCSS6	40.25	37.25	15.50	IS5	4,432.76	SCE-36P30	33.00	27.00	101.27
SCE-462519SDCSS6	46.25	25.25	18.50	IS5	5,372.98	SCE-36P24	33.00	21.00	75.96
SCE-463719SDCSS6	46.25	37.25	18.50	IS1	5,963.76	SCE-36P36	33.00	33.00	118.99
Dual Access Single Door									
SCE-462519DCSS6	46.00	25.25	18.50	IS5	5,724.08	SCE-36P24	33.00	21.00	75.96
SCE-463719DCSS6	46.25	37.25	18.50	IS1	6,298.97	SCE-36P36	33.00	33.00	118.99
Single Access Two Door									
SCE-464919SDCSS6	46.25	49.25	18.50	IS1	6,897.78	SCE-48P36	45.00	33.00	154.46
SCE-466019SDCSS6	46.25	59.88	18.50	IS1	8,929.90	SCE-60PC36	55.63	33.00	181.41
Dual Access Overlapping Two Door									
SCE-464919DCSS6	46.25	49.25	18.50	IS1	7,254.13	SCE-48P36	45.00	33.00	154.46
SCE-466019DCSS6	46.25	59.88	18.50	IS1	9,642.36	SCE-60PC36	55.63	33.00	181.41
Dual Access Two Door with Center Channel									
SCE-464919DCCSS6	46.25	49.25	18.50	IS5	8,102.81	SCE-48P36	45.00	33.00	154.46
SCE-466019DCCSS6	46.25	59.88	18.50	IS5	10,409.36	SCE-60PC36	55.63	33.00	181.41



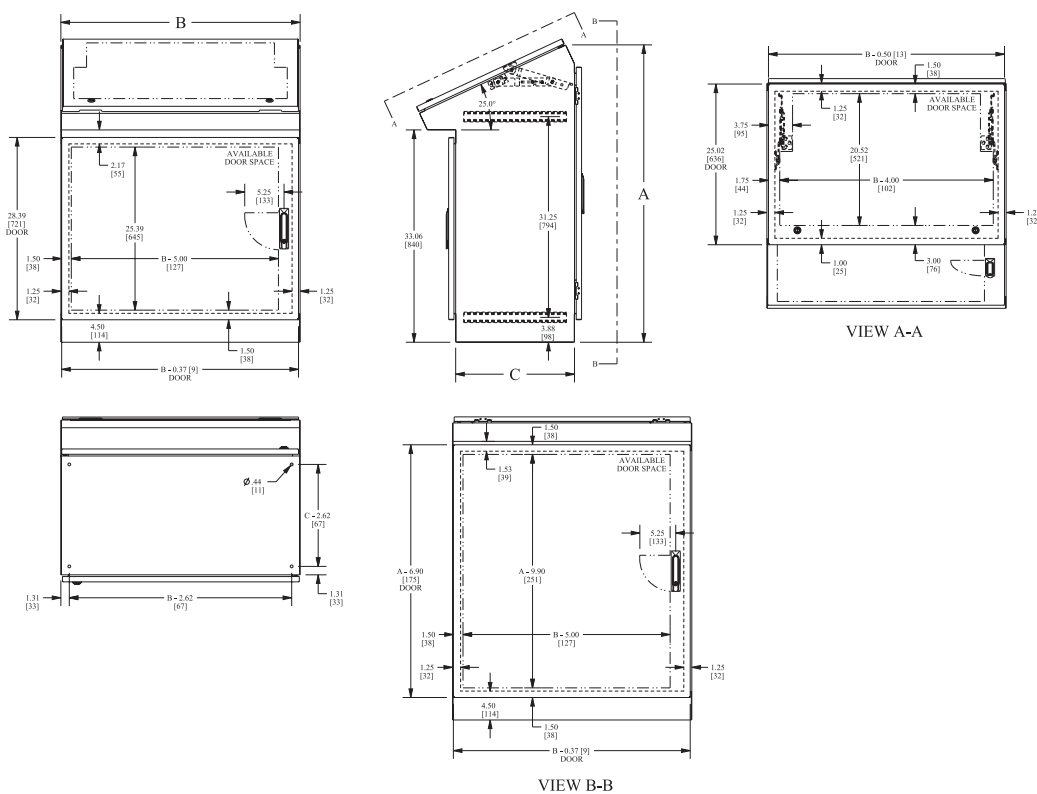
STAINLESS STEEL DESK CONSOLES

TECHNICAL DATA

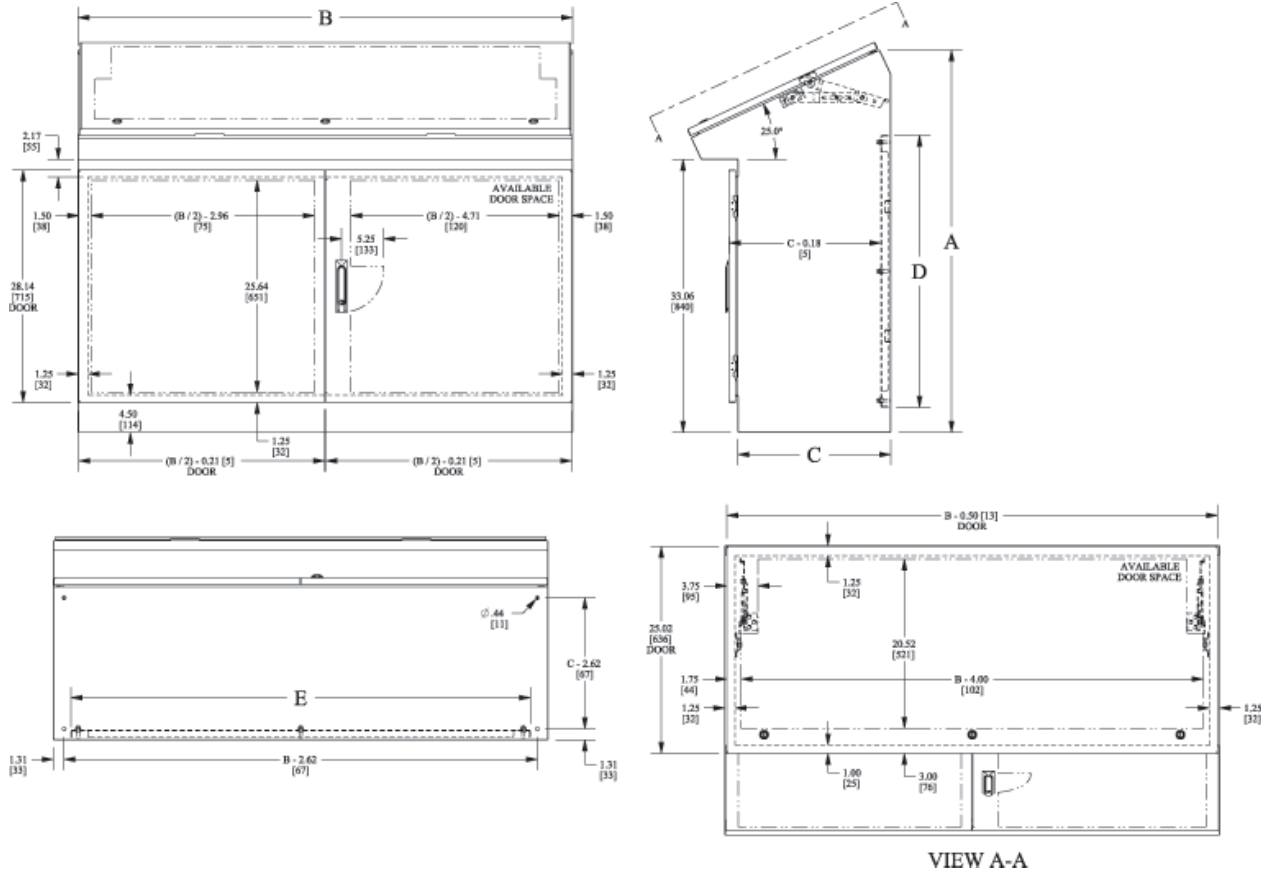
SINGLE ACCESS SINGLE DOOR



DUAL ACCESS SINGLE DOOR

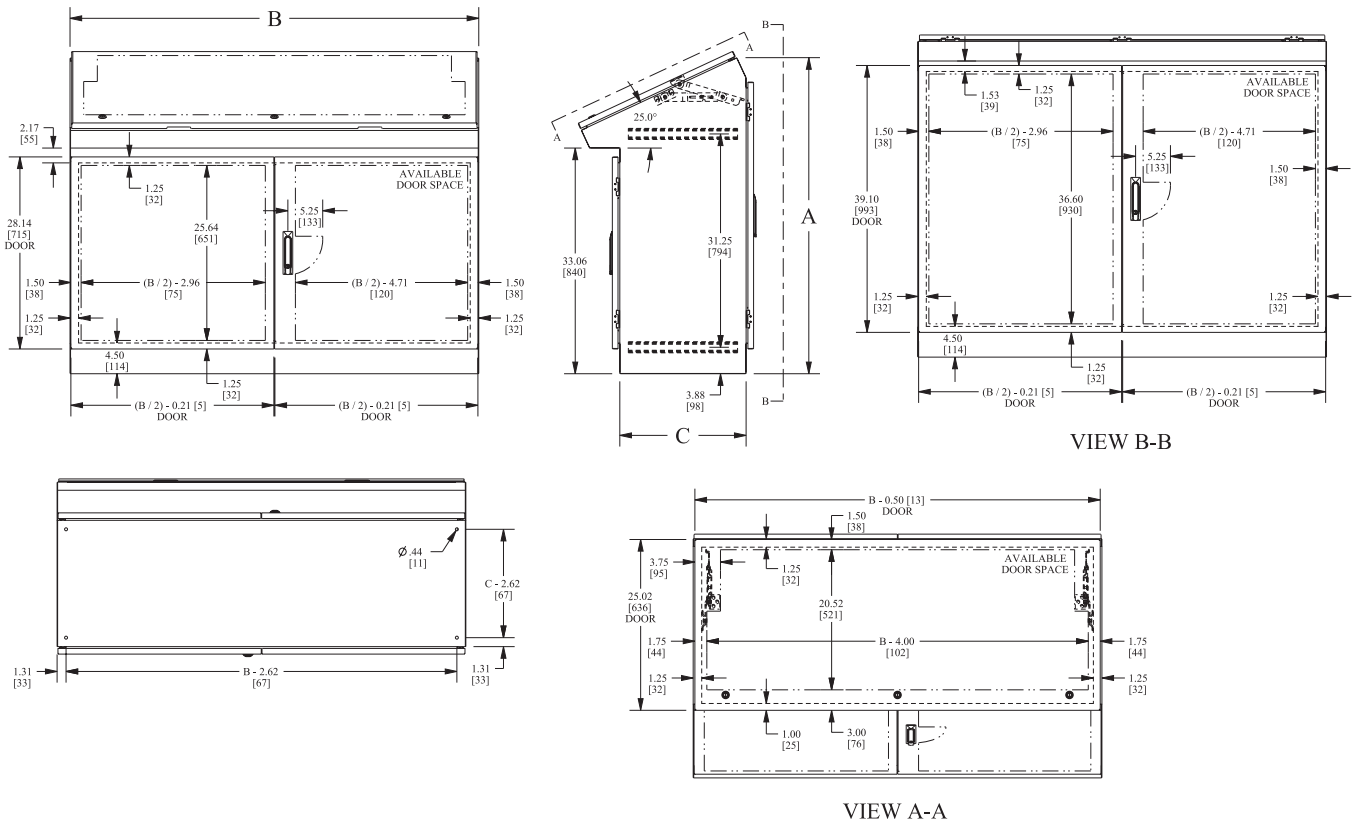


SINGLE ACCESS TWO DOOR



VIEW A-A

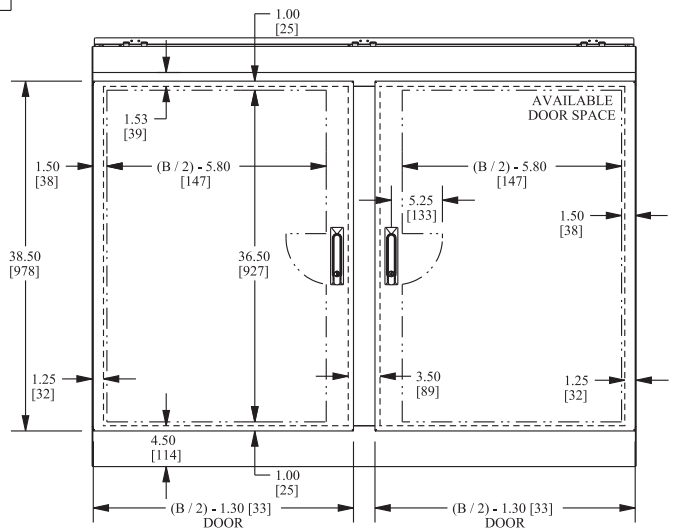
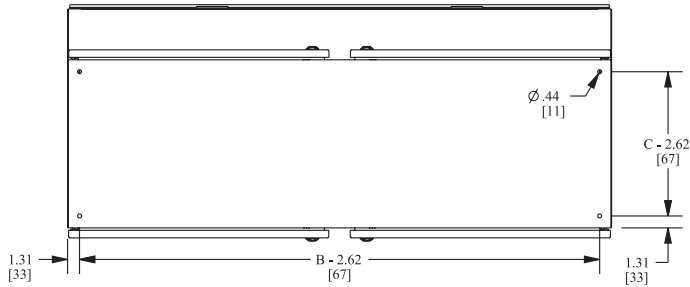
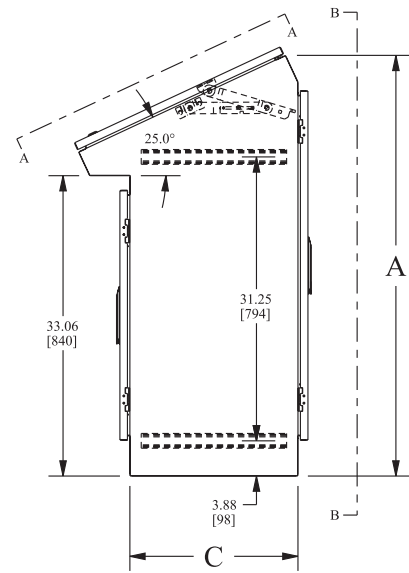
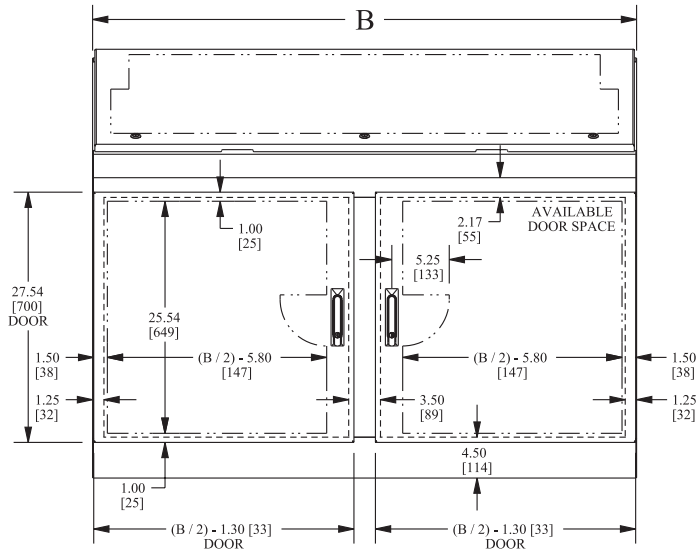
DUAL ACCESS OVERLAPPING TWO DOOR



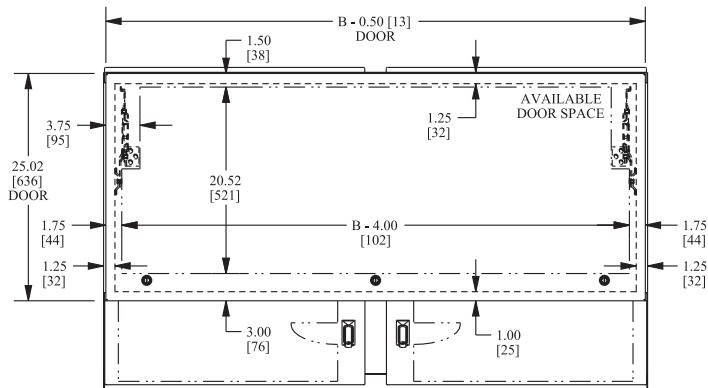
VIEW B-B

VIEW A-A

DUAL ACCESS TWO DOOR WITH CENTER CHANNEL



VIEW B-B



VIEW A-A

Skirt Panels

Application -

Designed for use with standard floor stand kits, to restrict access or conceal the area under the enclosure. Louvered skirts available to conceal transformers or other devices in this area while allowing air circulation. Heavy gauge construction. Each skirt panel will fit a range of enclosure widths. Installed by drilling holes in floor stand kit (not included). Skirt Kit includes two panels and mounting hardware. For technical information, consult our Installation Manual at www.saginawcontrol.com

Material -

- Carbon Steel, Powder Coated ANSI-61 Gray
- "SS" - Type 304 Stainless Steel, #4 Brushed Finish on all exterior surfaces

Industry Standards - (IS17)

NEMA Not Applicable
 UL Not Applicable
 CSA N/A



Catalog No.	Height (A)	Width (B)	Min Enclosure Width	Max Enclosure Width	Product Code	List Price
SCE-SK123644	12.00	35.75	36.00	44.00	P2	180.84
SCE-SK124856	12.00	47.75	48.00	56.00	P2	207.30
SCE-SK126068	12.00	59.75	60.00	68.00	P2	215.40
SCE-SK127280	12.00	71.75	72.00	80.00	P2	249.96
SCE-SK153644	15.00	35.75	36.00	44.00	P2	250.50
SCE-SK154856	15.00	47.75	48.00	56.00	P2	284.52
SCE-SK156068	15.00	59.75	60.00	68.00	P2	293.70
SCE-SK157280	15.00	71.75	72.00	80.00	P2	336.90

Louvered

SCE-SKL123644	12.00	35.75	36.00	44.00	P2	230.84
SCE-SKL124856	12.00	47.75	48.00	56.00	P2	257.30
SCE-SKL126068	12.00	59.75	60.00	68.00	P2	265.40
SCE-SKL127280	12.00	71.75	72.00	80.00	P2	299.96
SCE-SKL153644	15.00	35.75	36.00	44.00	P2	300.50
SCE-SKL154856	15.00	47.75	48.00	56.00	P2	334.52
SCE-SKL156068	15.00	59.75	60.00	68.00	P2	343.70
SCE-SKL157280	15.00	71.75	72.00	80.00	P2	386.90

Stainless Steel

SCE-SK123644SS	12.00	35.75	36.00	44.00	P2	339.60
SCE-SK124856SS	12.00	47.75	48.00	56.00	P2	405.75
SCE-SK126068SS	12.00	59.75	60.00	68.00	P2	426.00
SCE-SK127280SS	12.00	71.75	72.00	80.00	P2	512.40
SCE-SK153644SS	15.00	35.75	36.00	44.00	P2	513.75
SCE-SK154856SS	15.00	47.75	48.00	56.00	P2	598.80
SCE-SK156068SS	15.00	59.75	60.00	68.00	P2	621.75
SCE-SK157280SS	15.00	71.75	72.00	80.00	P2	729.75

Louvered

SCE-SKL123644SS	12.00	35.75	36.00	44.00	P2	389.60
SCE-SKL124856SS	12.00	47.75	48.00	56.00	P2	455.75
SCE-SKL126068SS	12.00	59.75	60.00	68.00	P2	476.00
SCE-SKL127280SS	12.00	71.75	72.00	80.00	P2	562.40
SCE-SKL153644SS	15.00	35.75	36.00	44.00	P2	563.75
SCE-SKL154856SS	15.00	47.75	48.00	56.00	P2	648.80
SCE-SKL156068SS	15.00	59.75	60.00	68.00	P2	671.75
SCE-SKL157280SS	15.00	71.75	72.00	80.00	P2	779.75

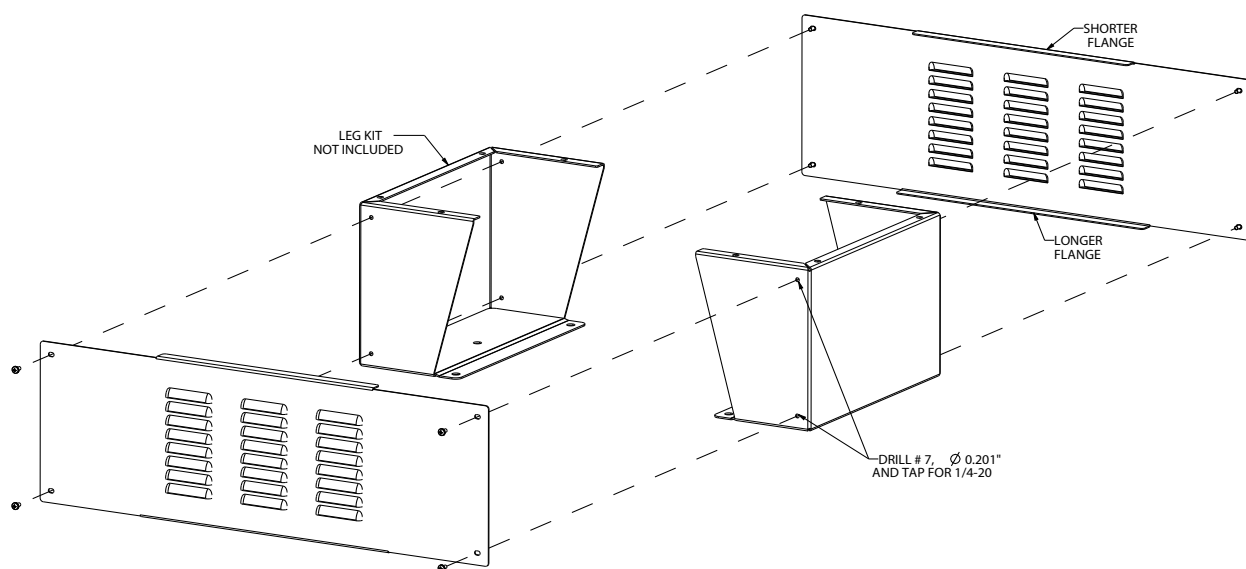
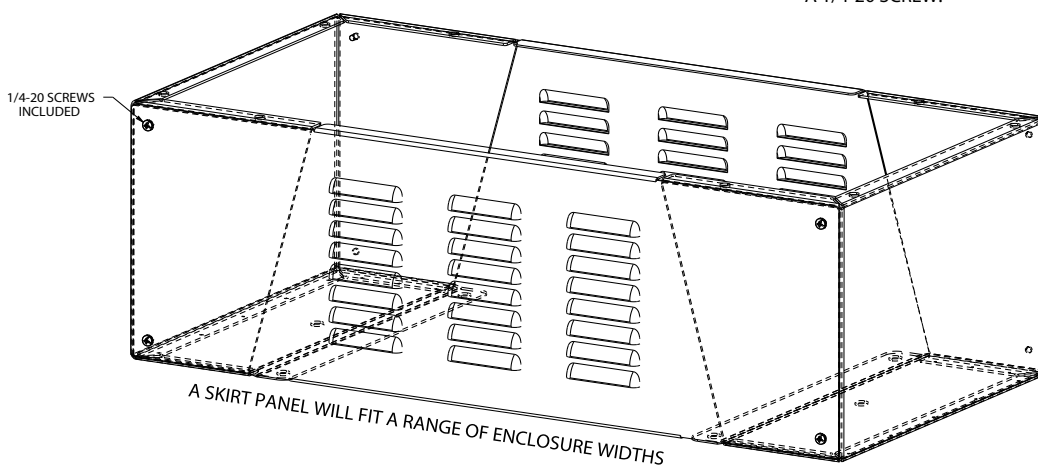
Available Now

Phone (989) 799-6871
 Fax (989) 799-4524



SKIRT PANEL INSTALLATION INFORMATION

1. INSTALL LEG KIT ON ENCLOSURE.
2. CENTER SKIRT PANEL BETWEEN LEGS WITH THE SHORTER FLANGE ON TOP.
3. USING THE SKIRT PANEL AS A TEMPLATE, DRILL A # 7 HOLE, $\varnothing 0.201"$ AND TAP FOR A 1/4-20 SCREW.



ENVIRO-THERM[®] THERMAL MANAGEMENT

Air Conditioners

Enviro-Therm[®] Air Conditioners are designed with an internal closed loop system to provide protection from dust, oil and water. For indoor and outdoor application. Rugged, energy efficient, and reliable cooling system. For more details and Installation Information, consult our Installation Manual at www.saginawcontrol.com.

Construction -

- Heavy gauge steel/stainless steel
- Internal components are corrosion resistant
- Coils are designed as filterless units, fin spacing and hydrophobic Nano coating to help reduce chance of clogging
- Washable, Reusable 8 layer aluminum mesh filters included
- Captive screw fastened filter cover
- Compressor Heater
- Enclosure Heater for low ambient temperatures
- Easy Mounting Flange hangers for installation included
- High temp alarm
- High performance ball bearing fans
- Door activated switch wiring provisions
- Cage clamp terminal connector

Electrical -

- cULus Listed
- CE
- Surge protected and EMI compliant - IEC61000 and CE requirement

Finish -

Powder coated steel cover RAL 7035 River Texture over Aluzinc coated steel.
SS units: #4 brushed finish 304 Stainless Steel cover and frame.

IS19 - Industry Standards -

UL Recognized Type 3, 3R, 4 & 12
IEC 60529 IP56

IS20 - Industry Standards -

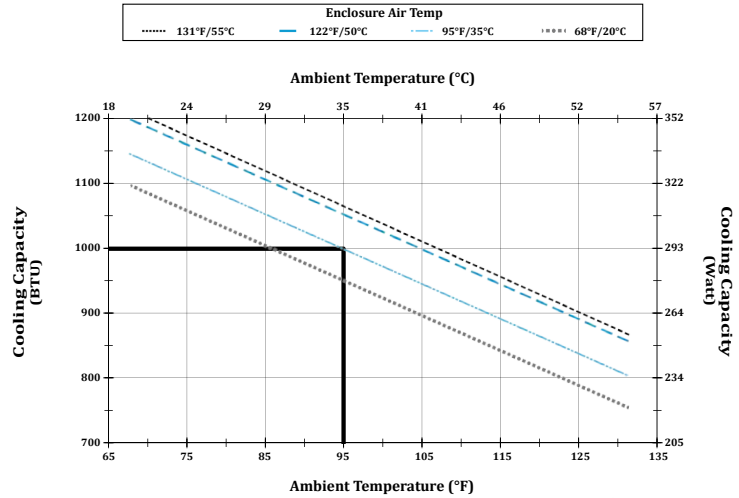
UL Recognized Type 3, 3R, 4, 4X & 12
IEC 60529 IP56



AIR CONDITIONER PRODUCT CODE P1								
Catalog No.	BTU 95°F @ 95°F	Enclosure Heating Capacity (W)	HZ	Voltage	Line Amps	Startup Amps	Industry Standard	List Price
SCE-AC1000B120V	1000	150 W	60	120V	2.4	8.00	IS19	2,551.50
SCE-AC1000B230V	1000	150 W	50/60	230V	1.5	8.00	IS19	2,551.50

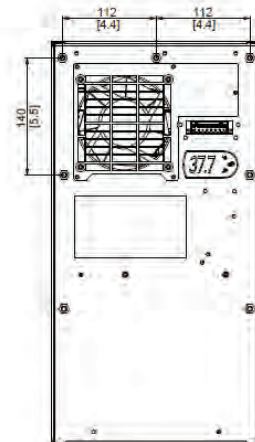
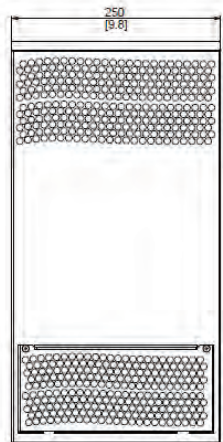
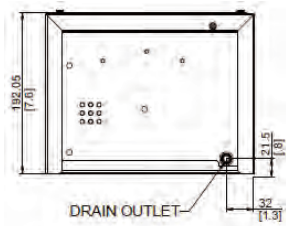
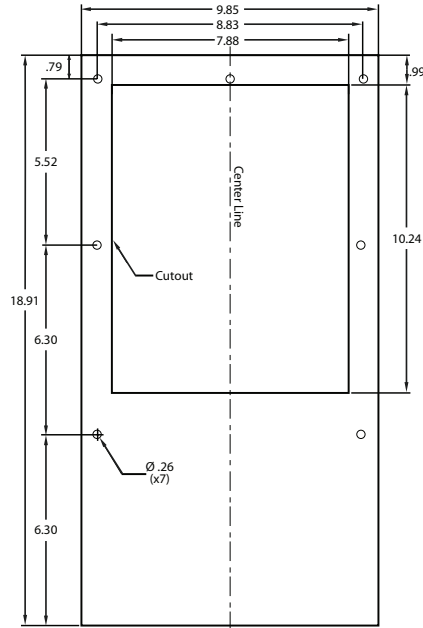
Stainless Steel

SCE-AC1000B120VSS	1000	150 W	60	120V	2.4	8.00	IS20	3,746.25
SCE-AC1000B230VSS	1000	150 W	50/60	230V	1.5	8.00	IS20	3,746.25



Expected In Stock August 15, 2016

ENVIRO-THERM® AIR CONDITIONERS TECHNICAL DATA



ENVIRO-THERM[®] THERMAL MANAGEMENT

Air Conditioners

Enviro-Therm[®] Air Conditioners are designed with an internal closed loop system to provide protection from dust, oil and water. For indoor and outdoor application. Rugged, energy efficient, and reliable cooling system. For more details and Installation Information, consult our Installation Manual at www.saginawcontrol.com.

Construction -

- Heavy gauge steel/stainless steel
- Internal components are corrosion resistant
- Coils are designed as filterless units, fin spacing and hydrophobic Nano coating to help reduce chance of clogging
- Washable, Reusable 8 layer aluminum mesh filters included
- Captive screw fastened filter cover
- Compressor Heater
- Enclosure Heater for low ambient temperatures
- Easy Mounting Flange hangers for installation included
- High temp alarm
- High performance ball bearing fans
- Door activated switch wiring provisions
- Cage clamp terminal connector

Electrical -

- cULus Listed
- CE
- Surge protected and EMI compliant - IEC61000 and CE requirement

Finish -

Powder coated steel cover RAL 7035 River Texture over Aluzinc coated steel.
SS units: #4 brushed finish 304 Stainless Steel cover and frame.

IS19 - Industry Standards -

UL Recognized Type 3, 3R, 4 & 12
IEC 60529 IP56

IS20 - Industry Standards -

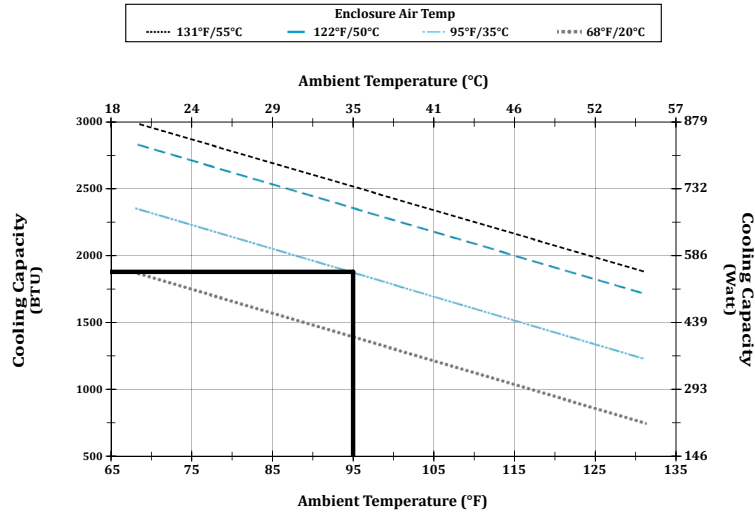
UL Recognized Type 3, 3R, 4, 4X & 12
IEC 60529 IP56



AIR CONDITIONER PRODUCT CODE P1								
Catalog No.	BTU 95°F @ 95°F	Enclosure Heating Capacity (W)	HZ	Voltage	Line Amps	Startup Amps	Industry Standard	List Price
SCE-AC1870B120V	1870	400 W	50/60	120V	5.60	20.00	IS19	2,768.75
SCE-AC1870B230V	1870	400 W	50/60	230V	2.80	10.00	IS19	2,393.75
SCE-AC1870B460V	1870	400 W	50/60	460V	1.40	5.00	IS19	2,928.13

Stainless Steel

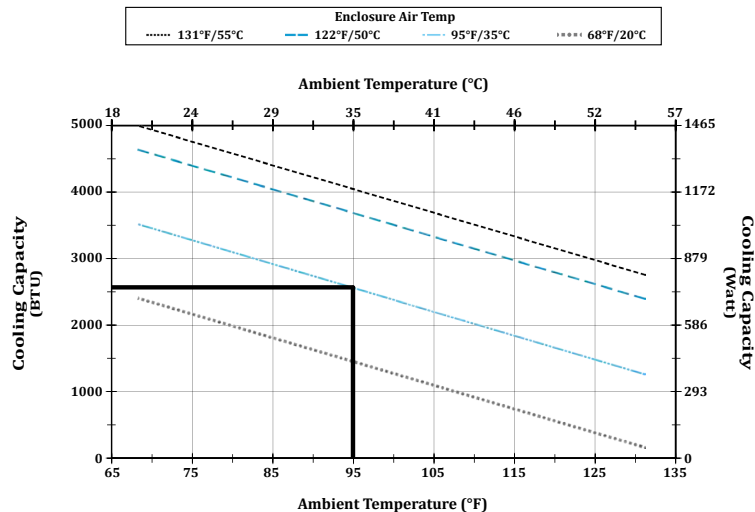
SCE-AC1870B120VSS	1870	400 W	50/60	120V	5.60	20.00	IS20	4,068.75
SCE-AC1870B230VSS	1870	400 W	50/60	230V	2.80	10.00	IS20	3,906.25
SCE-AC1870B460VSS	1870	400 W	50/60	460V	1.40	5.00	IS20	4,231.25



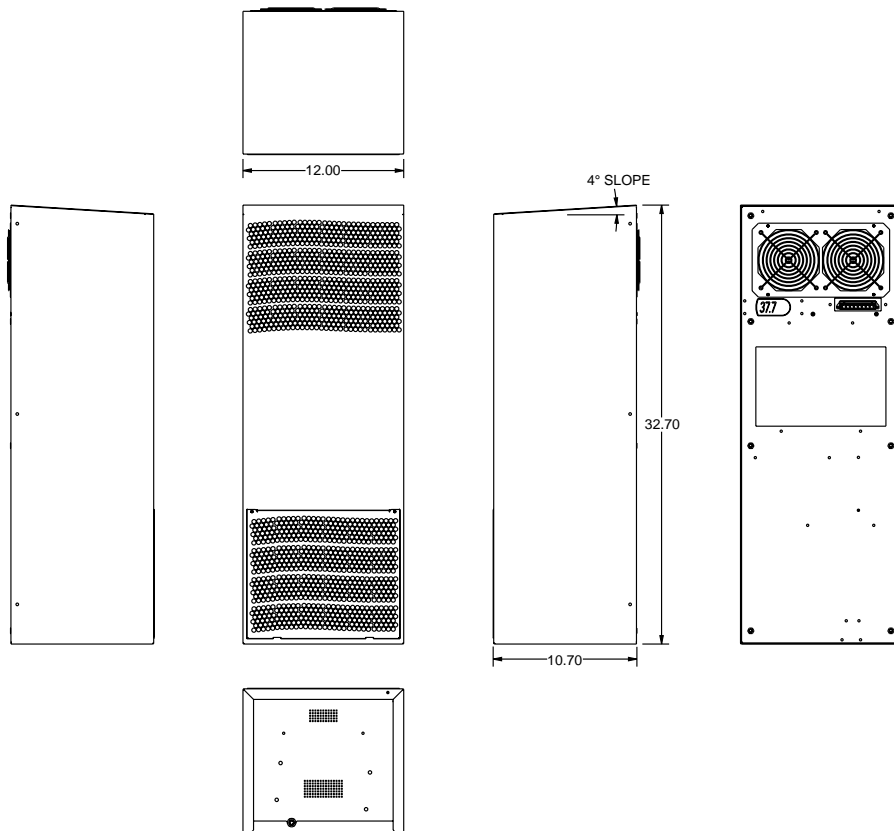
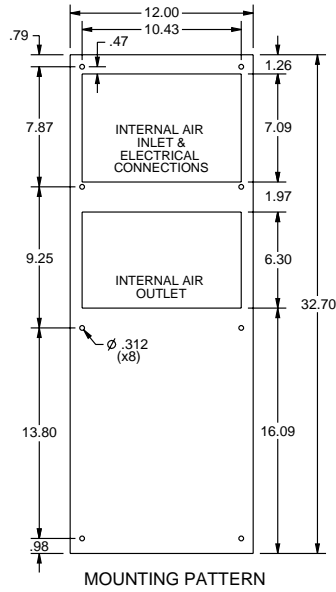
AIR CONDITIONER PRODUCT CODE P1								
Catalog No.	BTU 95°F @ 95°F	Enclosure Heating Capacity (W)	HZ	Voltage	Line Amps	Startup Amps	Industry Standard	List Price
SCE-AC2550B120V	2550	400 W	50/60	120V	7.40	20.00	IS19	2,890.63
SCE-AC2550B230V	2550	400 W	50/60	230V	3.70	10.00	IS19	2,740.63
SCE-AC2550B460V	2550	400 W	50/60	460V	1.90	5.00	IS19	3,053.13

Stainless Steel

SCE-AC2550B120VSS	2550	400 W	50/60	120V	7.40	20.00	IS20	4,193.75
SCE-AC2550B230VSS	2550	400 W	50/60	230V	3.70	10.00	IS20	4,037.50
SCE-AC2550B460VSS	2550	400 W	50/60	460V	1.90	5.00	IS20	4,359.38



ENVIRO-THERM® AIR CONDITIONERS TECHNICAL DATA



ENVIRO-THERM[®] THERMAL MANAGEMENT

Air Conditioners

Enviro-Therm[®] Air Conditioners are designed with an internal closed loop system to provide protection from dust, oil and water. For indoor and outdoor application. Rugged, energy efficient, and reliable cooling system. For more details and Installation Information, consult our Installation Manual at www.saginawcontrol.com.

Construction -

- Heavy gauge steel/stainless steel
- Internal components are corrosion resistant
- Coils are designed as filterless units, fin spacing and hydrophobic Nano coating to help reduce chance of clogging
- Washable, Reusable 8 layer aluminum mesh filters included
- Captive screw fastened filter cover
- Compressor Heater
- Enclosure Heater for low ambient temperatures
- Easy Mounting Flange hangers for installation included
- High temp alarm
- High performance ball bearing fans
- Door activated switch wiring provisions
- Cage clamp terminal connector

Electrical -

- cULus Listed
- CE
- Surge protected and EMI compliant - IEC61000 and CE requirement

Finish -

Powder coated steel cover RAL 7035 River Texture over Aluzinc coated steel.
SS units: #4 brushed finish 304 Stainless Steel cover and frame.

IS19 - Industry Standards -

UL Recognized Type 3, 3R, 4 & 12
IEC 60529 IP56

IS20 - Industry Standards -

UL Recognized Type 3, 3R, 4, 4X & 12
IEC 60529 IP56

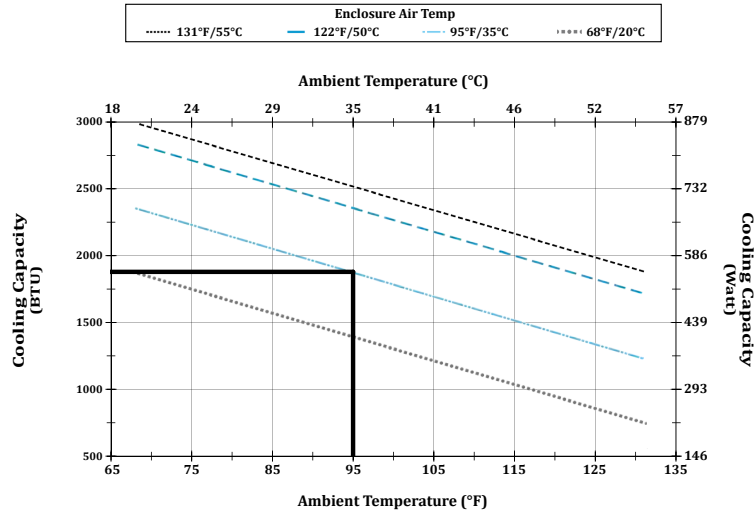


AIR CONDITIONER PRODUCT CODE P1

Catalog No.	BTU 95°F @ 95°F	Enclosure Heating		Voltage	Line Amps	Startup Amps	Industry Standard	List Price
		Capacity (W)	HZ					
SCE-AC3400B120V	3400	400 W	50/60	120V	9.40	30.00	IS19	3,506.25
SCE-AC3400B230V	3400	400 W	50/60	230V	4.70	15.00	IS19	3,340.63
SCE-AC3400B460V	3400	400 W	50/60	460V	2.40	7.50	IS19	3,703.13

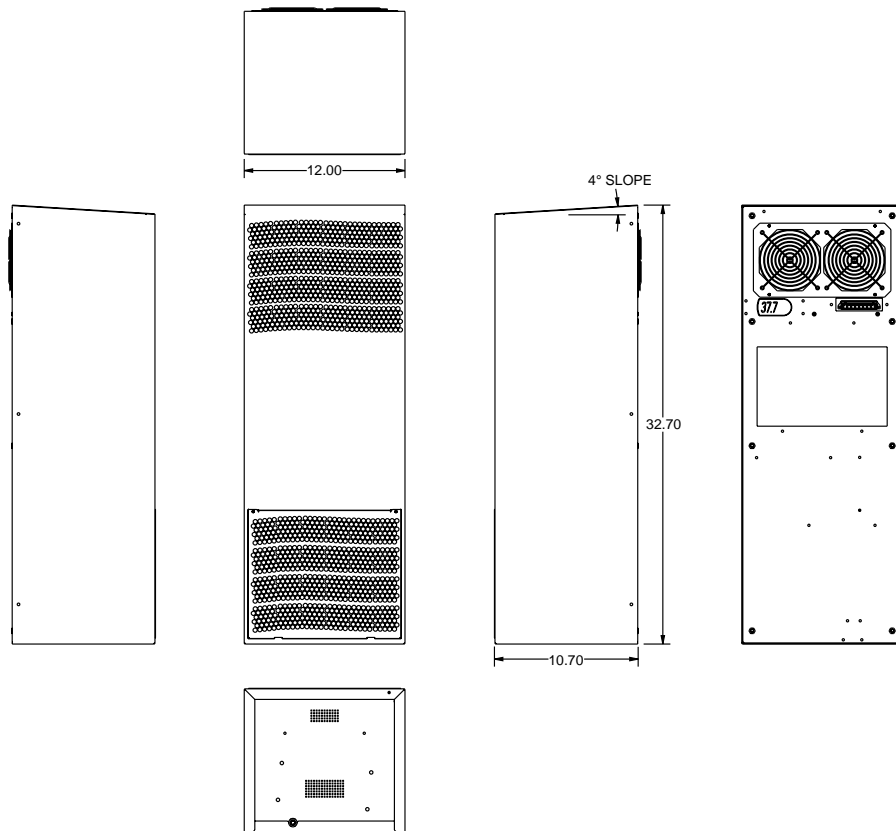
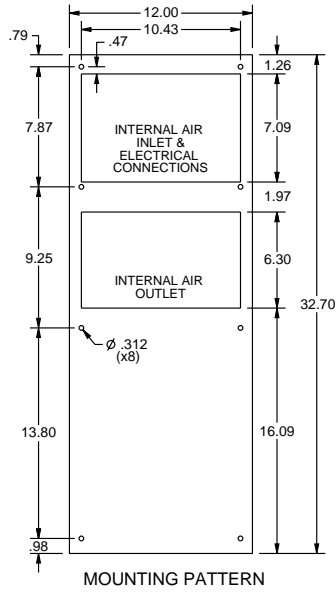
Stainless Steel

SCE-AC3400B120VSS	3400	400 W	50/60	120V	9.40	30.00	IS20	4,965.63
SCE-AC3400B230VSS	3400	400 W	50/60	230V	4.70	15.00	IS20	4,787.50
SCE-AC3400B460VSS	3400	400 W	50/60	460V	2.40	7.50	IS20	5,162.50



ENVIRO-THERM® AIR CONDITIONERS

TECHNICAL DATA



ENVIRO-THERM[®] THERMAL MANAGEMENT

Air Conditioners

Enviro-Therm[®] Air Conditioners are designed with an internal closed loop system to provide protection from dust, oil and water. For indoor and outdoor application. Rugged, energy efficient, and reliable cooling system. For more details and Installation Information, consult our Installation Manual at www.saginawcontrol.com.

Construction -

- Heavy gauge steel/stainless steel
- Internal components are corrosion resistant
- Coils are designed as filterless units, fin spacing and hydrophobic Nano coating to help reduce chance of clogging
- Washable, Reusable 8 layer aluminum mesh filters included
- Captive screw fastened filter cover
- Compressor Heater
- Enclosure Heater for low ambient temperatures
- Easy Mounting Flange hangers for installation included
- High temp alarm
- High performance ball bearing fans
- Door activated switch wiring provisions
- Cage clamp terminal connector

Electrical -

- cULus Listed
- CE
- Surge protected and EMI compliant - IEC61000 and CE requirement

Finish -

Powder coated steel cover RAL 7035 River Texture over Aluzinc coated steel.
SS units: #4 brushed finish 304 Stainless Steel cover and frame.

IS19 - Industry Standards -

UL Recognized Type 3, 3R, 4 & 12
IEC 60529 IP56

IS20 - Industry Standards -

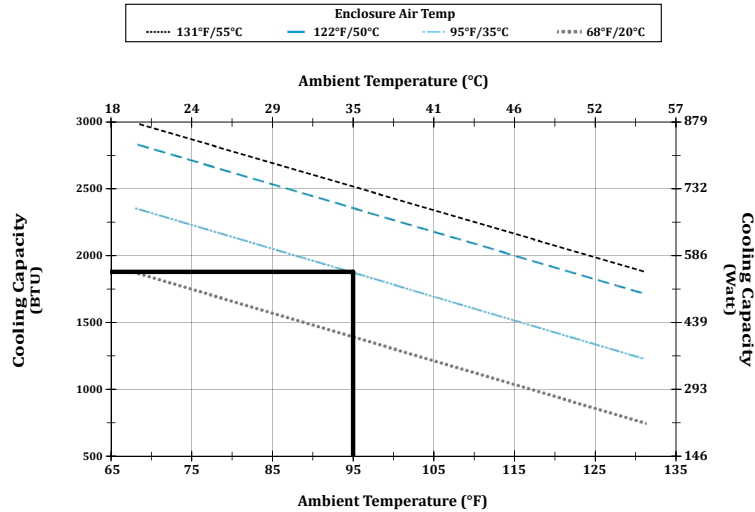
UL Recognized Type 3, 3R, 4, 4X & 12
IEC 60529 IP56



AIR CONDITIONER PRODUCT CODE P1								
Catalog No.	BTU 95°F @ 95°F	Enclosure Heating Capacity (W)	Enclosure Heating HZ	Voltage	Line Amps	Startup Amps	Industry Standard	List Price
SCE-AC5100B120V	5100	1000 W	50/60	120V	12.80	32.00	IS19	3,903.13
SCE-AC5100B230V	5100	1000 W	50/60	230V	6.40	16.00	IS19	3,690.63
SCE-AC5100B460V	5100	1000 W	50/60	460V	3.20	8.00	IS19	4,118.75

Stainless Steel

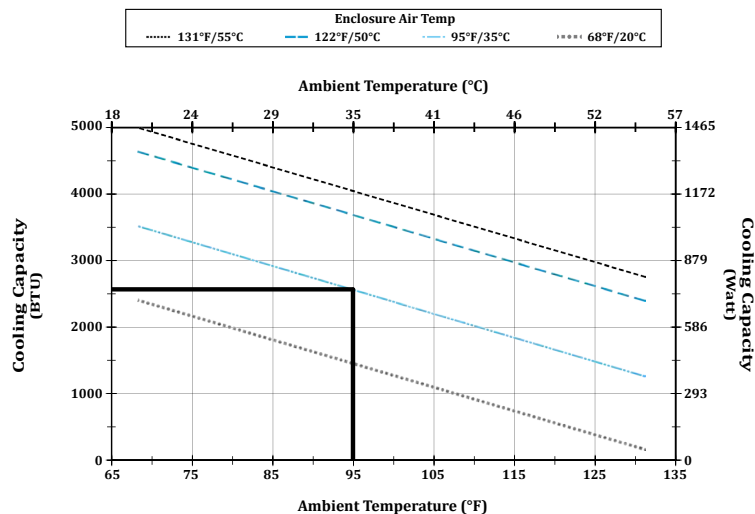
SCE-AC5100B120VSS	5100	1000 W	50/60	120V	12.80	32.00	IS20	5,509.38
SCE-AC5100B230VSS	5100	1000 W	50/60	230V	6.40	16.00	IS20	5,278.13
SCE-AC5100B460VSS	5100	1000 W	50/60	460V	3.20	8.00	IS20	5,718.75



AIR CONDITIONER PRODUCT CODE P1								
Catalog No.	BTU 95°F @ 95°F	Enclosure Heating Capacity (W)	Enclosure Heating HZ	Voltage	Line Amps	Startup Amps	Industry Standard	List Price
SCE-AC6800B120V	6800	1000 W	50/60	120V	15.80	60.00	IS19	4,781.25
SCE-AC6800B230V	6800	1000 W	50/60	230V	7.90	30.00	IS19	4,396.88
SCE-AC6800B460V3	6800	1000 W	50/60	380 / 460V (3~)	4.00	15.00	IS19	4,668.75

Stainless Steel

SCE-AC6800B120VSS	6800	1000 W	50/60	120V	15.80	60.00	IS20	6,290.63
SCE-AC6800B230VSS	6800	1000 W	50/60	230V	7.90	30.00	IS20	5,934.38
SCE-AC6800B460V3SS	6800	1000 W	50/60	380 / 460V (3~)	4.00	15.00	IS20	6,231.25



ENVIRO-THERM® THERMAL MANAGEMENT

Air Conditioners

Enviro-Therm® Air Conditioners are designed with an internal closed loop system to provide protection from dust, oil and water. For indoor and outdoor application. Rugged, energy efficient, and reliable cooling system. For more details and Installation Information, consult our Installation Manual at www.saginawcontrol.com.

Construction -

- Heavy gauge steel/stainless steel
- Internal components are corrosion resistant
- Coils are designed as filterless units, fin spacing and hydrophobic Nano coating to help reduce chance of clogging
- Washable, Reusable 8 layer aluminum mesh filters included
- Captive screw fastened filter cover
- Compressor Heater
- Enclosure Heater for low ambient temperatures
- Easy Mounting Flange hangers for installation included
- High temp alarm
- High performance ball bearing fans
- Door activated switch wiring provisions
- Cage clamp terminal connector

Electrical -

- cULus Listed
- CE
- Surge protected and EMI compliant - IEC61000 and CE requirement

Finish -

Powder coated steel cover RAL 7035 River Texture over Aluzinc coated steel.
SS units: #4 brushed finish 304 Stainless Steel cover and frame.

IS19 - Industry Standards -

UL Recognized Type 3, 3R, 4 & 12
IEC 60529 IP56

IS20 - Industry Standards -

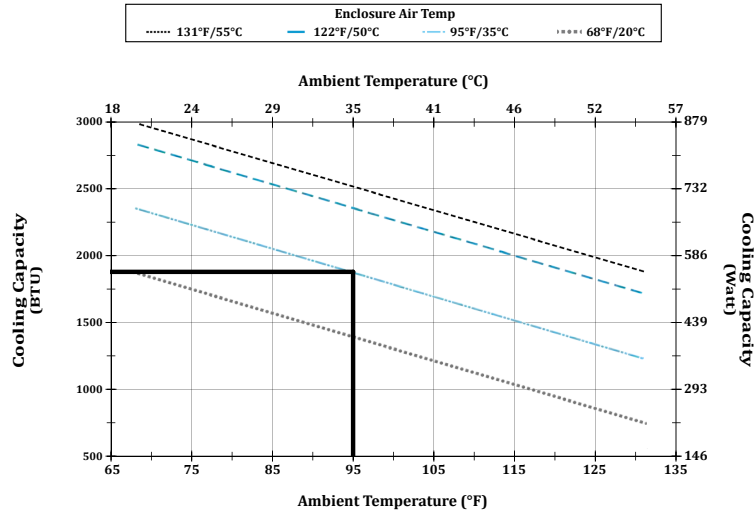
UL Recognized Type 3, 3R, 4, 4X & 12
IEC 60529 IP56



AIR CONDITIONER PRODUCT CODE P1								
Catalog No.	BTU 95°F @ 95°F	Enclosure Heating Capacity (W)	Enclosure Heating HZ	Voltage	Line Amps	Startup Amps	Industry Standard	List Price
SCE-AC8500B120V	8500	1500 W	50/60	120V	16.80	45.00	IS19	5,265.63
SCE-AC8500B230V	8500	1500 W	50/60	230V	8.40	22.50	IS19	5,000.00
SCE-AC8500B460V	8500	1500 W	50/60	460V	4.20	11.20	IS19	5,368.75

Stainless Steel

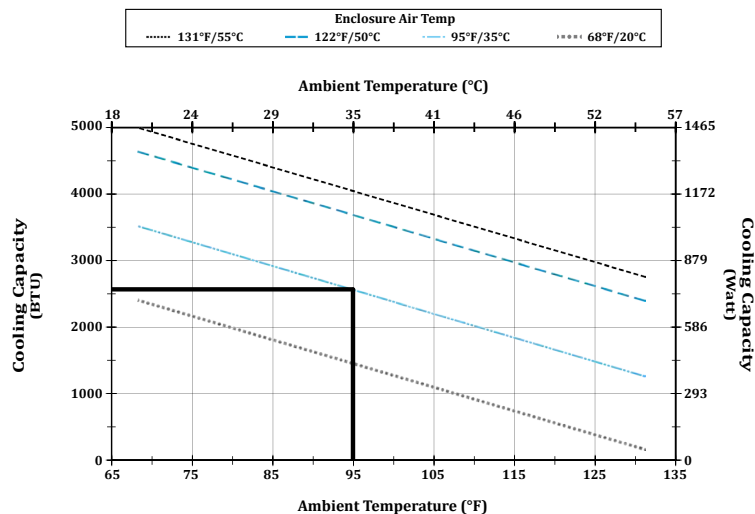
SCE-AC8500B120VSS	8500	1500 W	50/60	120V	16.80	45.00	IS20	7,312.50
SCE-AC8500B230VSS	8500	1500 W	50/60	230V	8.40	22.50	IS20	7,018.75
SCE-AC8500B460VSS	8500	1500 W	50/60	460V	4.20	11.20	IS20	7,496.88



AIR CONDITIONER PRODUCT CODE P1								
Catalog No.	BTU 95°F @ 95°F	Enclosure Heating Capacity (W)	Enclosure Heating HZ	Voltage	Line Amps	Startup Amps	Industry Standard	List Price
SCE-AC10200B230V	10200	1500 W	50/60	230V	7.00	60.00	IS19	5,831.25
SCE-AC10200B460V3	10200	1500 W	50/60	380 / 460V (3~)	3.50	30.00	IS19	6,462.50

Stainless Steel

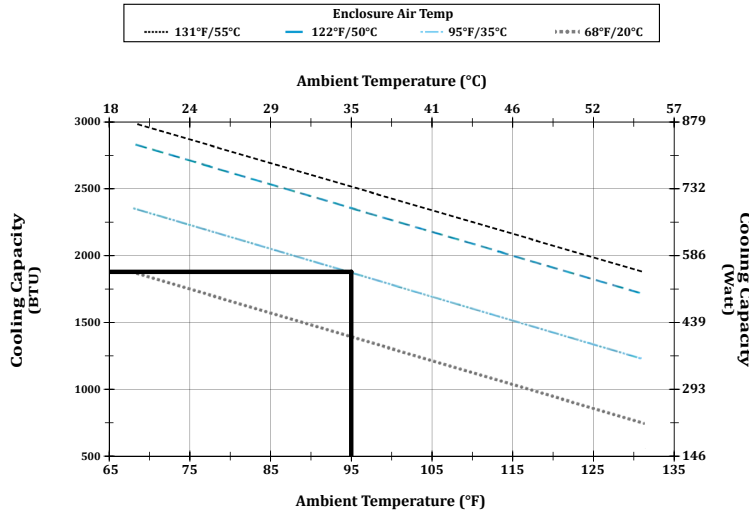
SCE-AC10200B230VSS	10200	1500 W	50/60	230V	7.00	60.00	IS20	8,265.63
SCE-AC10200B460V3SS	10200	1500 W	50/60	380 / 460V (3~)	3.50	30.00	IS20	8,925.00



AIR CONDITIONER PRODUCT CODE P1								
Catalog No.	BTU 95°F @ 95°F	Enclosure Heating Capacity (W)	Enclosure Heating HZ	Voltage	Line Amps	Startup Amps	Industry Standard	List Price
SCE-AC13650B230V	13650	2000 W	50/60	230V	8.30	50.00	IS19	6,268.75
SCE-AC13650B460V3	13650	2000 W	50/60	460V (3~)	5.60	25.00	IS19	7,309.38

Stainless Steel

SCE-AC13650B230VSS	13650	2000 W	50/60	230V	8.30	50.00	IS20	9,059.38
SCE-AC13650B460V3SS	13650	2000 W	50/60	460V (3~)	5.60	25.00	IS20	10,168.75



ENVIRO-THERM® THERMAL MANAGEMENT

Air Conditioners

Enviro-Therm® Air Conditioners are designed with an internal closed loop system to provide protection from dust, oil and water. For indoor and outdoor application. Rugged, energy efficient, and reliable cooling system. For more details and Installation Information, consult our Installation Manual at www.saginawcontrol.com.

Construction -

- Heavy gauge steel/stainless steel
- Internal components are corrosion resistant
- Coils are designed as filterless units, fin spacing and hydrophobic Nano coating to help reduce chance of clogging
- Washable, Reusable 8 layer aluminum mesh filters included
- Captive screw fastened filter cover
- Compressor Heater
- Enclosure Heater for low ambient temperatures
- Easy Mounting Flange hangers for installation included
- High temp alarm
- High performance ball bearing fans
- Door activated switch wiring provisions
- Cage clamp terminal connector

Electrical -

- cULus
- CE
- Surge protected and EMI compliant - IEC61000 and CE requirement

Finish -

Powder coated steel cover RAL 7035 River Texture over Aluzinc coated steel.
 SS units: #4 brushed finish 304 Stainless Steel cover and frame.

IS19 - Industry Standards -

UL Recognized Type 3, 3R, 4 & 12
 IEC 60529 IP56

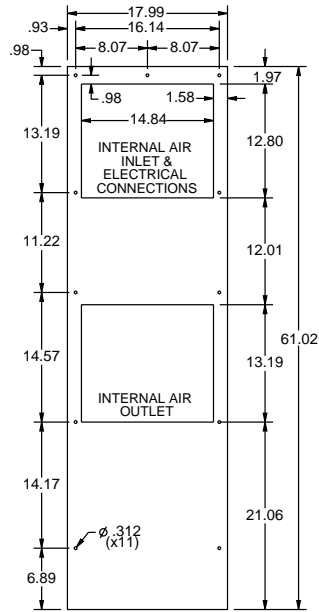
IS20 - Industry Standards -

UL Recognized Type 3, 3R, 4, 4X & 12
 IEC 60529 IP56

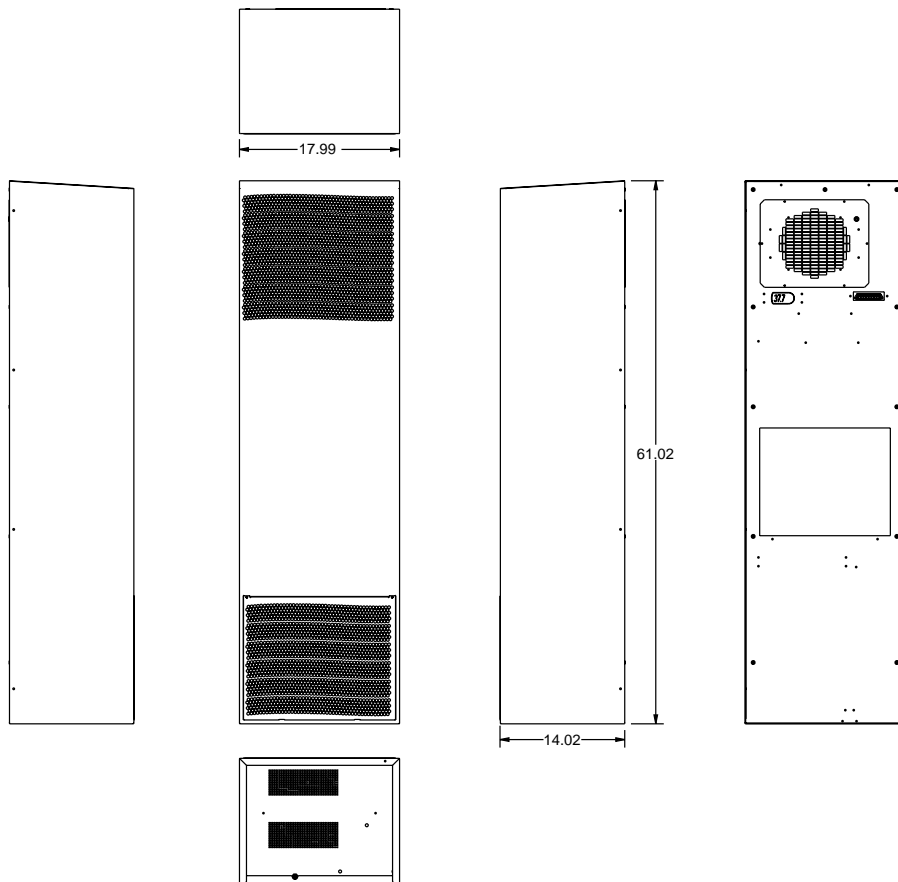


ENVIRO-THERM® AIR CONDITIONERS

TECHNICAL DATA



MOUNTING PATTERN



ENVIRO-THERM® AIR CONDITIONERS

Powder coated steel cover RAL 7035 River Texture over Aluzinc coated steel

Type 4X units have #4 brushed finish 304 Stainless Steel cover and frame

Internal components are corrosion resistant

Closed Loop Cooling System

Hermitically sealed Reciprocating Compressor on units up to 5,100 BTU/hr

Hermitically sealed Rotary Compressor on units greater than 5,100 BTU/hr

Specially designed Active Condensate System using PTC heater element

Coils are designed as filterless units, fin spacing and Hydrophobic Nano Coating to help reduce chance of clogging

Washable, Reusable 8 layer aluminum mesh filters included

Captive screw fastened filter cover

Integrated compressor heater for low ambient temperatures and up to 2000 watts of enclosure heat

R134a Refrigerant – Chlorine-free and harmless to the environment

Easy Mounting Flange hangers for installation included

Digital Touchpad Programmable Controller, viewable and accessible from inside enclosure

Controller preset 95°F to cool – adjustable 68°F to 122°F

Preset at 41°F to heat – adjustable -4°F to 122°F

Temperature differential hysteresis 5.4°F

High temp alarm preset 131°F

High performance ball bearing fans

Door activated switch wiring provisions provided for easy installation

Cage clamp terminal connector

Enviro-Therm® Heat Exchangers

Enviro-Therm® Heat Exchangers are designed for High-Efficiency and High-Performance Air-to-Air Heat Transfer. Designed with an internal closed loop system to provide protection from dust, oil and water. For indoor and outdoor application. Rugged, energy efficient, and reliable cooling system. For more details and Installation Information, consult our Installation Manual at www.saginawcontrol.com.

Construction -

- Powder coated steel Cover RAL 7035 River Texture over Aluzinc coated steel
- Aluzinc coated steel internal parts
- Counter-flow core
- Filter-less design – low maintenance Counterflow heat exchangers are finless, reducing the chances of clogging, and are easy to clean
- Threaded mounting studs provided for simple installation
- Digital Touchpad Programmable Controller
- Controller preset 95°F to cool – adjustable 68°F to 122°F
- Temperature differential hysteresis 5.4°F
- High temp alarm preset 131°F
- High performance ball bearing fans
- Door activated switch wiring provisions provided for easy installation
- Cage clamp terminal connector
- Two-year warranty

Electrical -

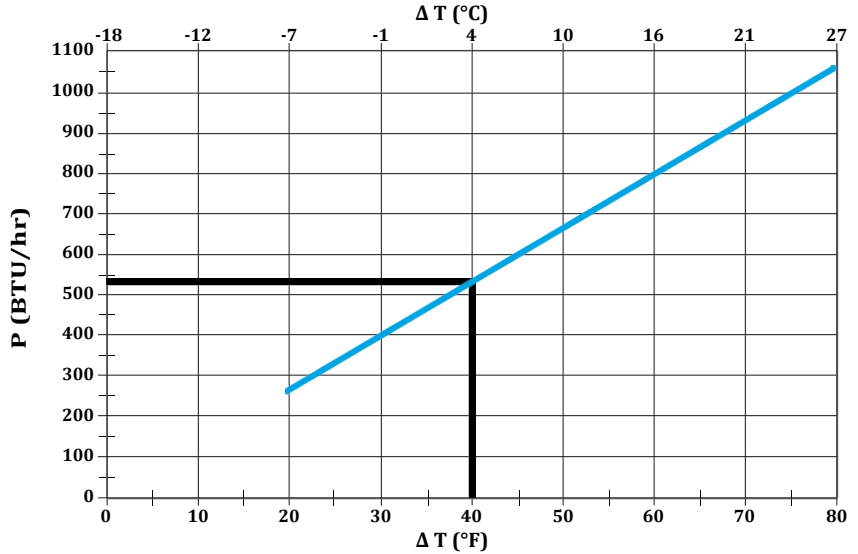
- Frequency: 50/60 Hz
- cULus Listed
- CE
- Surge protected and EMI compliant - IEC61000 and CE requirement

IS22 - Industry Standards -

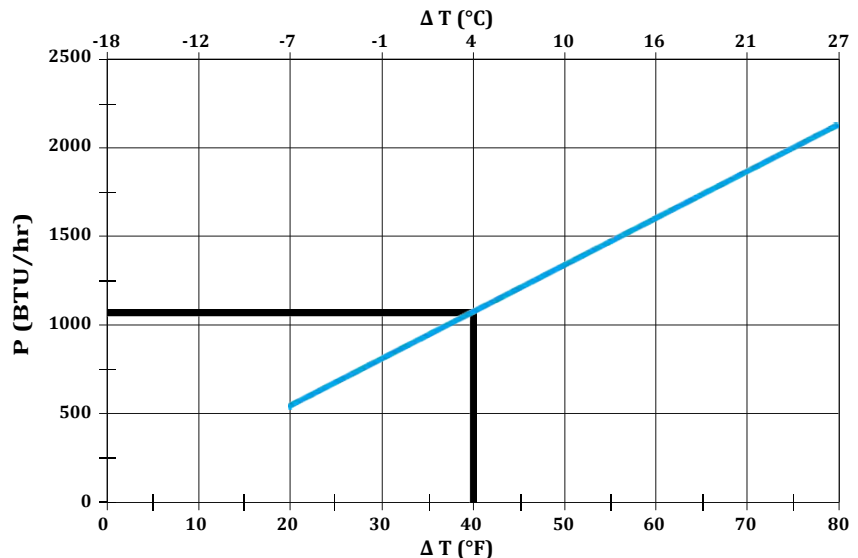
UL Recognized Type 3R & 12
IEC 60529 IP54



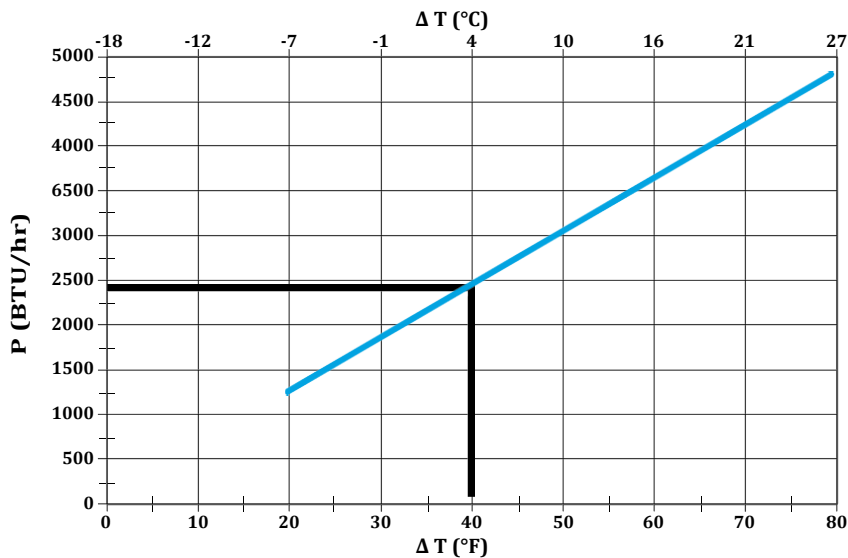
Catalog No.	Height (A)	Width (B)	Depth (C)	Cooling Capacity	Voltage	Line Amps	Startup Amps	List Price
SCE-HE04W120V	20.00	7.50	5.95	4 (W/F°)	115V	0.48	0.70	1162.50



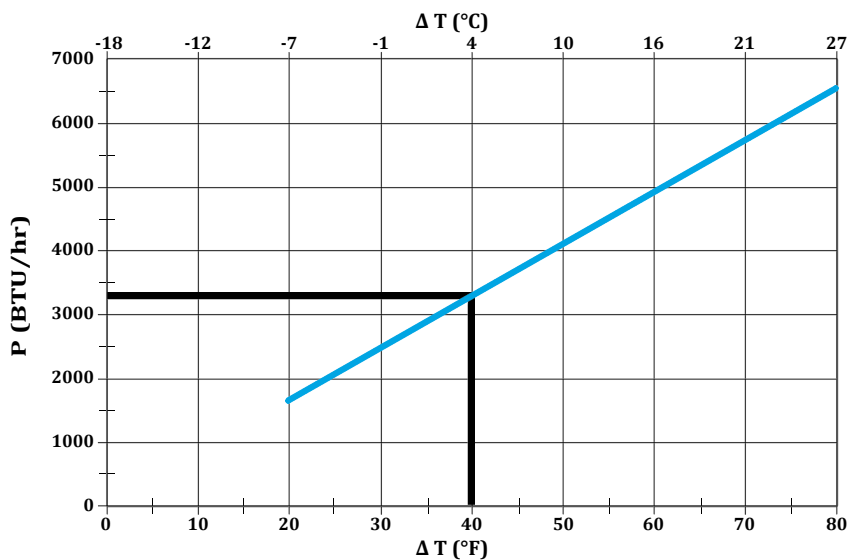
Catalog No.	Height (A)	Width (B)	Depth (C)	Cooling Capacity	Voltage	Line Amps	Startup Amps	List Price
SCE-HE08W120V	29.50	10.00	5.95	8 (W/F°)	115V	0.48	0.70	1525.00



Catalog No.	Height (A)	Width (B)	Depth (C)	Cooling Capacity	Voltage	Line Amps	Startup Amps	List Price
SCE-HE18W120V	29.66	10.24	5.95	18 (W/F°)	115V	1.40	1.60	1731.25



Catalog No.	Height (A)	Width (B)	Depth (C)	Cooling Capacity	Voltage	Line Amps	Startup Amps	List Price
SCE-HE24W120V	47.16	10.24	5.95	24 (W/F°)	115V	1.80	2.20	1987.50



Enviro-Therm® Heat Exchangers

Enviro-Therm® Heat Exchangers are designed for High-Efficiency and High-Performance Air-to-Air Heat Transfer. Designed with an internal closed loop system to provide protection from dust, oil and water. For indoor and outdoor application. Rugged, energy efficient, and reliable cooling system. For more details and Installation Information, consult our Installation Manual at www.saginawcontrol.com.

Construction -

- Powder coated steel Cover RAL 7035 River Texture over Aluzinc coated steel
- Aluzinc coated steel internal parts
- Counter-flow Core
- Filter-less design, low maintenance Counterflow heat exchangers are finless, reducing the chances of clogging, and easy to clean
- Threaded mounting studs provided for simple installation
- Digital Touchpad Programmable Controller
- Controller preset 95°F to cool – adjustable 68°F to 122°F
- Temperature differential hysteresis 5.4°F
- High temp alarm preset 131°F
- High performance ball bearing fans
- Door activated switch wiring provisions provided for easy installation
- Cage clamp terminal connector
- Two-year warranty

Electrical -

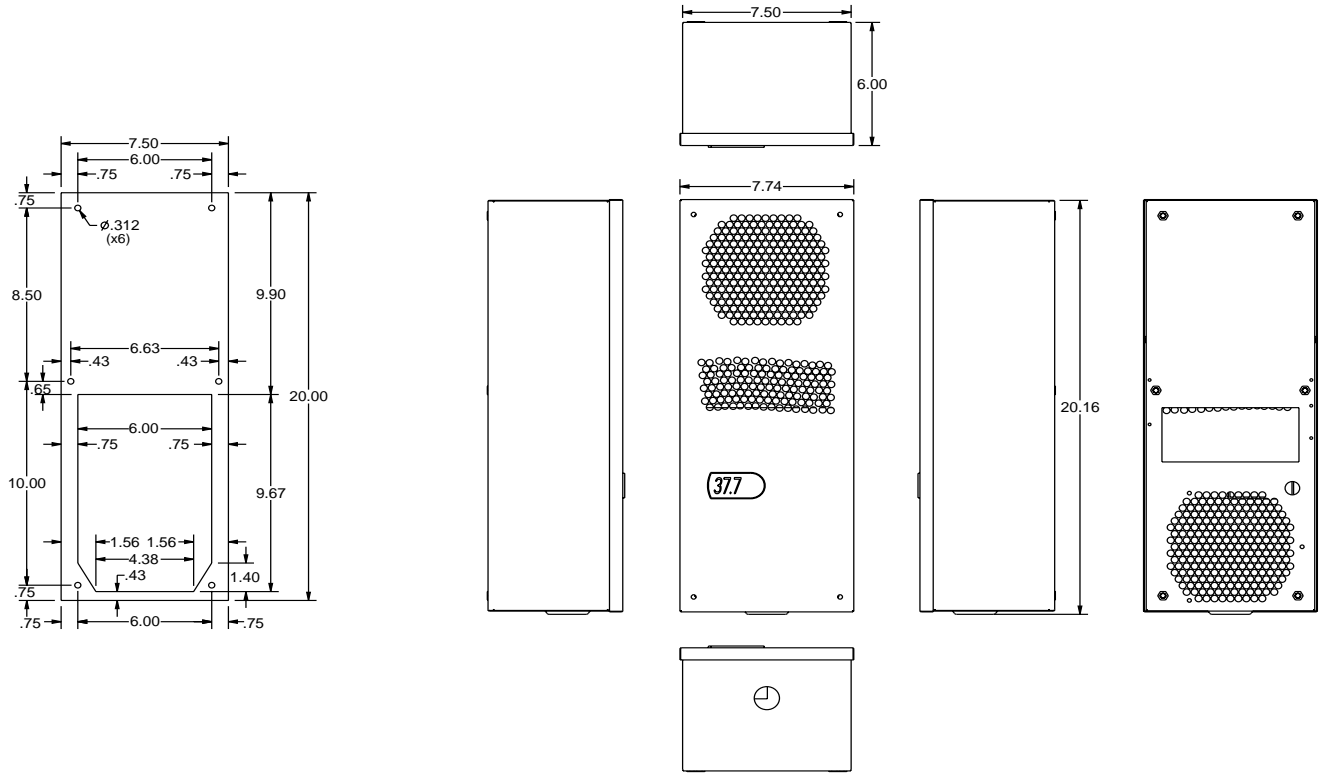
- Frequency: 50/60 Hz
- cULus Listed
- CE
- Surge protected and EMI compliant - IEC61000 and CE requirement

IS22 - Industry Standards -
 UL Recognized Type 3R & 12
 IEC 60529 IP54

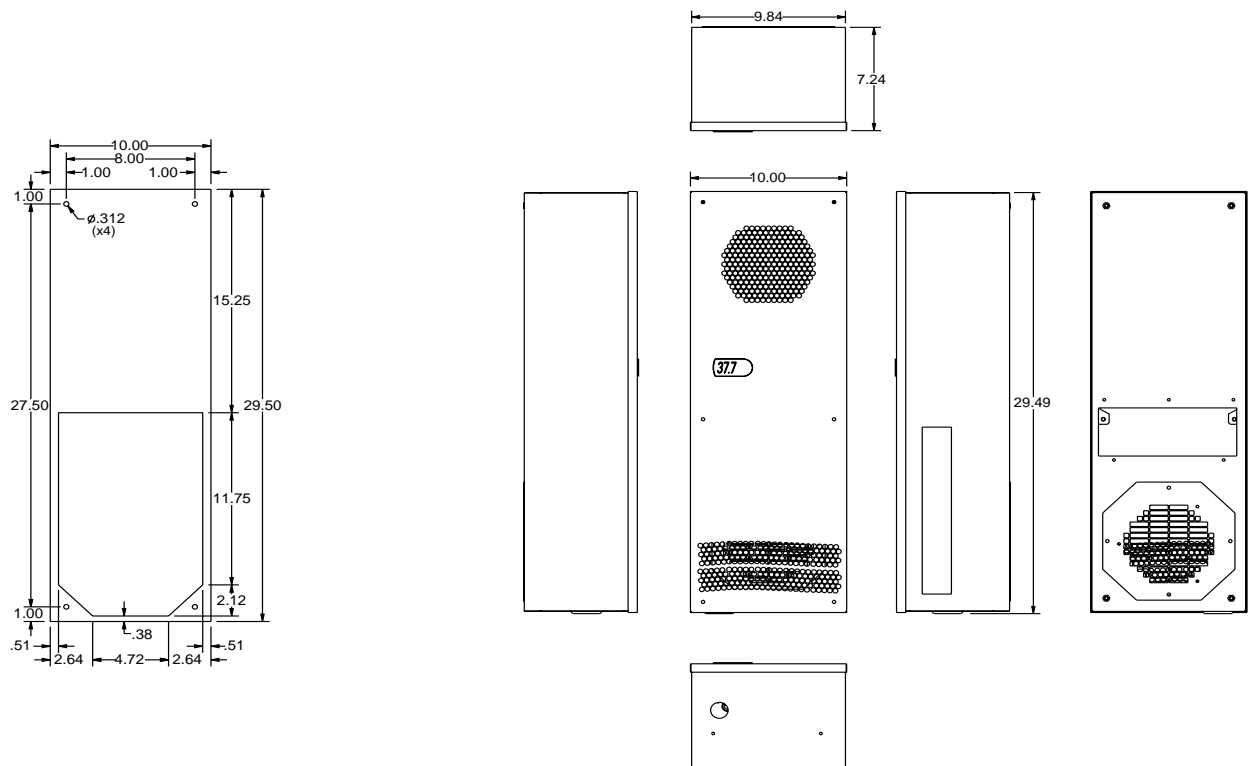


ENVIRO-THERM® HEAT EXCHANGERS TECHNICAL DATA

SCE-HE04W120V

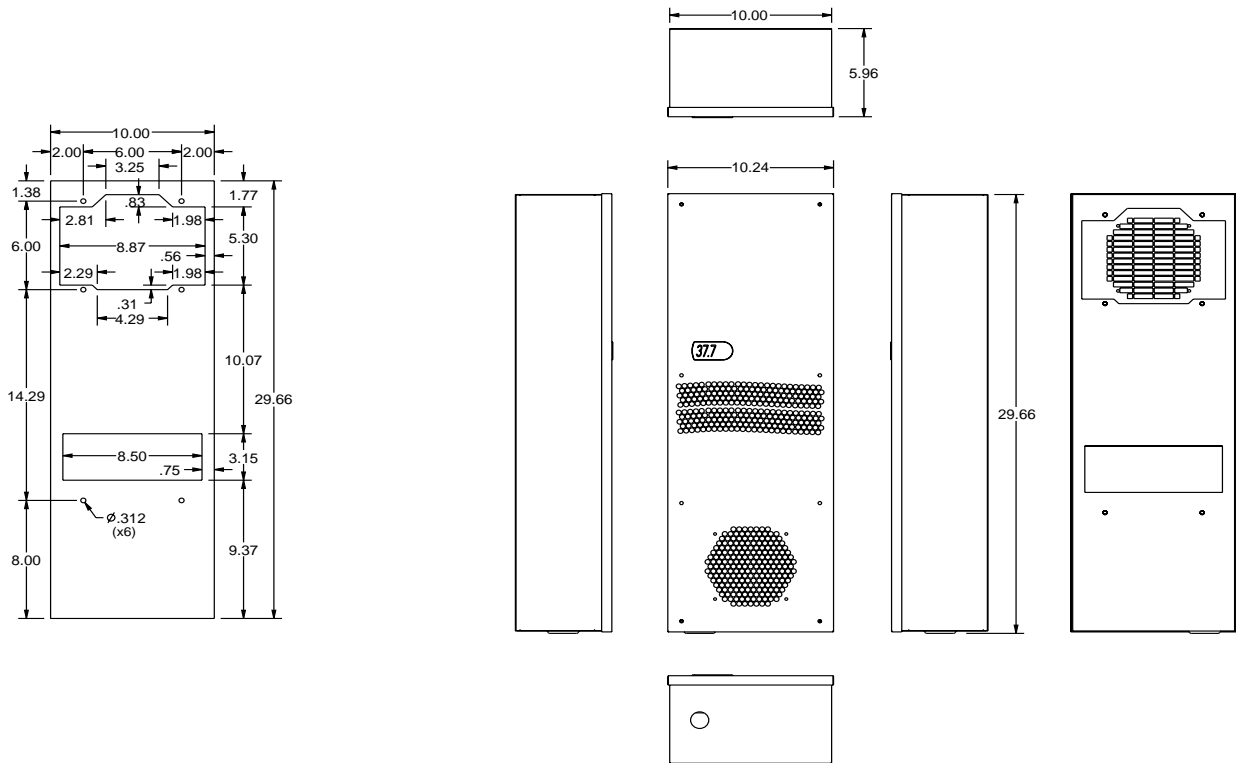


SCE-HE08W120V

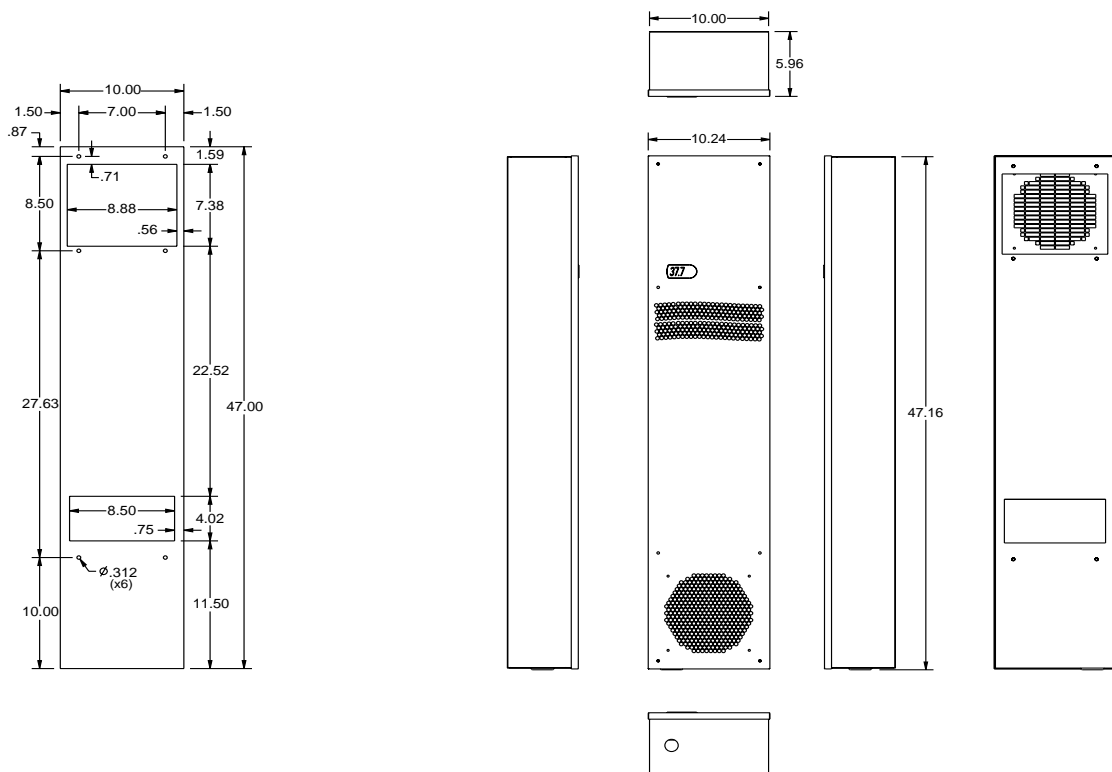


ENVIRO-THERM® HEAT EXCHANGERS TECHNICAL DATA

SCE-HE18W120V



SCE-HE24W120V



THERMAL MANAGEMENT

Breather Vent

Designed for indoor or outdoor applications to handle the large negative pressure differential caused in a tightly sealed enclosure in extreme weather conditions or wash down applications that draw water into the enclosure. Adding a Breather Vent will equalize this pressure differential. Installed on the side of your enclosure as a breather or installed on the bottom as a drain and vent.

Breather vents are made of corrosion and UV resistant Polycarbonate material.

UL Recognized 1, 3, 3R, 3RX & 12

Touch Safe Heater

PTC (Positive Temperature Coefficient)
Din rail clip design for 35mm Din Rail. Designed for protection from low temperatures, condensation and corrosion. Touch Safe with 2 screw terminal for standard AWG 14 wire. 110 - 240V AC or DC. For installation information, consult our Installation Manual at www.saginawcontrol.com.

IS24 - Industry Standards
UL Component Recognized

Fan Heater

Compact design that heats up dynamically and is quiet during operation. Din rail clip design for 15mm, 35mm and C-Din Rail. 14" heater cable, 10" Fan cable. 100 - 240 V 50/60 HZ Heater and 24V Integrated fan.

IS24 - Industry Standards
UL Component Recognized

Changeover Thermostat

Designed to regulate air temperature in enclosures, can operate with heaters, fans or warning lights. Used to switch from heating to cooling. Switches one common contact immediately from one state (NC) to the other (NO) and vice versa. Has a set point range of 32°F to 140°F.

IS24 - Industry Standards
UL Component Recognized

Catalog No.	Height (A)	Width (B)	Depth (C)	Product Code	List Price
SCE-BVK	2.75	2.00	1.50	P2	20.75



Available Now

Catalog No.	Watts	Max Current	Height	Width	Depth	Product Code	List Price
SCE-TSH25	25	2.5 A	4.92	1.61	1.61	P1	153.33
SCE-TSH50	50	3.5 A	4.92	1.61	1.61	P1	175.24
SCE-TSH75	75	4.0 A	5.51	2.76	2.48	P1	224.52
SCE-TSH100	100	5.0 A	5.51	2.76	2.48	P1	268.33
SCE-TSH150	150	9.5 A	8.66	2.76	2.48	P1	361.43



Available Now

Catalog No.	Watts	Max Current	Height	Width	Depth	Product Code	List Price
SCE-H350	350	3.0 A	3.10	2.10	3.30	P1	44.00



Available Now

Catalog No.	Used With	Height (A)	Width (B)	Depth (C)	Contact	Product Code	List Price
SCE-CTEM	Heater & Fan	2.36	1.54	2.10	NC & NO	P1	88.74



Available Now

GENERAL ACCESSORIES

Hole Seal

Designed to seal 2 inch square opening against dust, dirt, oil, and water. Hole seals are made of corrosion and UV resistant Polycarbonate material, supplied with adhesive gasket backing for quick, simple installation.

IS20 - Industry Standard
 UL recognized 3, 3R, 4, 4X & 12
 IEC 60529 IP56



Available Now

Catalog No.	Height (A)	Width (B)	Depth (C)	For Hole Dimension	Product Code	List Price
SCE-HS2S	3.00	3.00	0.19	2 inch Square	P2	5.66

LED Strip Light

Application -

LED Strip Lights have a compact design to provide interior lighting for smaller enclosures.

Construction -

- Magnets provided for quick installation to any surface inside the enclosure, also provided with clips that can be mechanically fastened.
- Wire connector for direct power supply wiring.
- Feed in / Feed out Push Fit Connector on each end of fixture.
- Daisy chain multiple lights continuously up to 16 lights AC or 8 lights DC.
- Combined AC and DV voltage range in one light 24 VDC to 265 VAC 50/60 HZ.
- ON/OFF switch or motion sensor available.
- 6500K Cool White
- 400 Lumens

IS24 - Industry Standards -
 UL Component Recognized



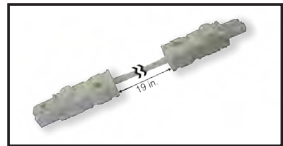
Available Now

Catalog No.	Description	Height (A)	Width (B)	Depth (C)	Volt AC/DC	Product Code	List Price
SCE-SLMS	LED Strip Light - Motion Sensor	13.80	1.38	1.25	24 - 265	P2	200.00
SCE-SLOF	LED Strip Light - On/Off Switch	13.80	1.38	1.25	24 - 265	P2	162.79

Catalog No.	Description	Length	Product Code	List Price
SCE-SLCC	LED Strip Light Connection Cord	118 Inch	P2	32.87
SCE-SLDCC	LED Strip Light Daisy Chain Cord	19 Inch	P2	36.98



SCE-SLCC



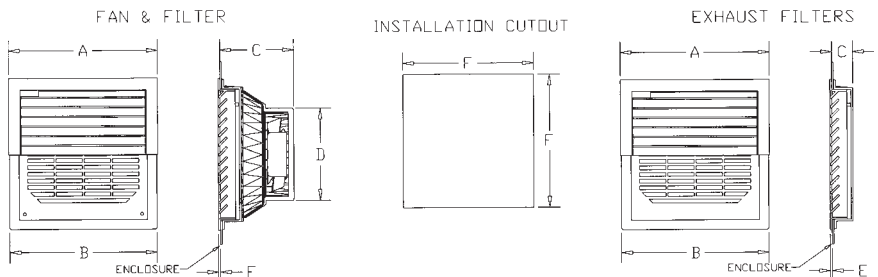
SCE-SLDCC

Type 12 Fans & Filters

Easy to install snap fit design for use in enclosures that require cooling but have limited space in Type 1 & 12 applications. Housing and grille are made of black heat resistant (ABS-FR), self-extinguishing material. Includes Type 12 Filter. Fans are available 115, 230 or 460 volt AC, 60/50 Hertz (Hz) single phase.

UL Recognized Type 12

Catalog No.	Height (A)	Width (B)	Depth (C)	CFM 50/60 Hz	Product Code	Cutout Size (F)	List Price
SCE-N12FA10HF	12.80	12.80	6.24	483/547	P2	11.45 sq.	485.72
SCE-N12FA10HF-230	12.80	12.80	6.24	483/547	P2	11.45 sq.	485.72
SCE-N12FA10HF-460	12.80	12.80	6.24	483/547	P2	11.45 sq.	620.34



Available Now

WORK STATION ACCESSORIES

Work Station Plinth Base

Designed to install under an enclosure to provide space for cables to enter from below and raise the enclosure up off the floor. Plinth bases are stackable to acquire desired height off the floor. Made of heavy gauge steel and finished with black textured powder coat. "SS" parts are made of type 304 stainless steel with #4 brushed finish.

SERVICE PARTS

Replacement LED Bulbs

Replacement bulbs for the LED light fixtures.

Touch Up Pens

Touch up paint pen for small scuffs and scratches.

Defeater Kit

This Defeater Kit is required for use with the Mechanical Defeater when using Siemens and ABB Flange Mounted Disconnect.

Replacement Hinge Pin

Hinge pins for standard SCE small and large concealed hinges.

Bolt Packs

Standard Bolt Packs for wall-mounting, subpanels, and grounding for standard SCE enclosures.

Gasket

Mullion gasket for center channel of multidoor enclosures.

Catalog No.	Height (A)	Width (B)	Depth (C)	Product Code	List Price
SCE-P2424WS	4.00	24.25	24.25	P2	169.92
SCE-P2432WS	4.00	32.25	24.25	P2	198.24
SCE-P2626WS	4.00	26.00	26.00	P2	184.08
Stainless Steel					
SCE-P2424SSWS	4.00	24.25	24.25	P2	515.13
SCE-P2432SSWS	4.00	32.25	24.25	P2	588.72
SCE-P2626SSWS	4.00	26.00	26.00	P2	552.24

Catalog No.	Used in Light Fixture	Product Code	List Price
SCE-LEDB18	SCE-LF18 & SCE-LF18NO	P2	55.41
SCE-LEDB24	SCE-LF24 & SCE-LF24NO	P2	60.41
SCE-LEDB18DC	SCE-LF1824VDC	P2	70.33

Catalog No.	Color	Product Code	List Price
SCE-PEN05	White	P2	10.42
SCE-PEN09	ANSI-61 Gray	P2	10.42
SCE-PEN7032	RAL 7032 Gray	P2	10.42

Catalog No.	Description	Product Code	List Price
SCE-125738	Mechanical Defeater Kit	P2	9.60

Catalog No.	Description	Quantity Per Package	Product Code	List Price
SCE-101226	Small Hinge Pin	20	P2	26.80
SCE-101221	Larged Hinge Pin	20	P2	26.80

Catalog No.	Description	Quantity Per Package	Product Code	List Price
SCE-102298	Subpanel Bolt Pack, 3/8-16	4	P2	4.98
SCE-102302	Subpanel Bolt Pack, 10-32	4	P2	2.50
SCE-102225	Subpanel Bolt Pack, 1/4-20	8	P2	2.50
SCE-102023	Side Mount Subpanel Bolt Pack, 3/8-16	6	P2	16.00

Catalog No.	Description	Quantity Per Package	Product Code	List Price
SCE-100669	4.5" Center Mullion Gasket	2	P2	17.12
SCE-100663	3.5" Center Mullion Gasket	2	P2	13.04

BULK PARTS

Oil Tight Hole Seals - Bulk Package

Extra push button holes can be sealed against dust, dirt, oil, and water with a SCE hole seal. Seals will cover most pushbutton hole sizes. Hole seals come with oil-resistant gasket, #10-32 x 3/8" stud, zinc plated wing nut and plated steel back plate. Available with ANSI-61 gray powder coated finish.

IS20 - Industry Standard

UL recognized 3, 3R, 4, 4X & 12
IEC 60529 IP56

Hole Seals - Bulk Package

Extra pushbutton holes can be sealed against dust, dirt, oil and water. Hole seals are made of corrosion and UV resistant fiberglass, and supplied with gasket and backing nut.

UL recognized 3, 4, 4X, 12, 6P
IEC tested to IP66 and IP68

Mini Quarter Turn Lever Knob - Bulk Package

Black Keylocking Lever Knob for Miniature Quarter Turns.

(No cam included)

Lifting Lugs - Bulk Package

Lifting lugs are designed to be mounted to the left and right side of a standard wall-mount type enclosure for easy handling of fully wired enclosures. Mounting hardware is included. UL Recognized sealing washers supplied to maintain UL ratings of Type 3R, 4, 4X and 12.

Catalog No.	Description	Diameter Inches	Diameter MM	Max. Hole Diameter Inches	Max. Hole Diameter MM	Quantity Per Kit	Product Code	List Price
SCE-ASPB-09-25	Steel	1.75	44	1.25	30	25	V1	72.60
SCE-ASPBG-09-25	Steel	1.22	31	.875	22	25	V1	102.60



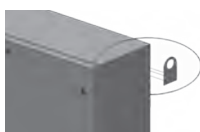
Catalog No.	Outside Diameter	Min. Hole Size	Max. Hole Size	Quantity Per Kit	Product Code
SCE-HPSERIES2-25	1.50	1.00	1.28	25	V1



Catalog No.	Qty. Per Kit	Product Code	List Price
SCE-MINQLB-25	25	V1	571.20



Catalog No.	Description	Quantity Per Kit	Product Code	List Price
SCE-LLB5-25	Steel, Zinc Plated	50	V1	457.78



GENERAL ACCESSORIES

Folding Shelf

Folding shelves can be installed on the inside or outside of large enclosures. They are designed to support test equipment and programmers. Locks in the horizontal position. When not in use, shelf can be folded down. Made of heavy gauge steel and powder coated. For installation information, consult our Installation Manual at www.saginawcontrol.com.

Provided with UL Recognized sealing washer to maintain Environmental Rating of the enclosure.

Mechanical Interlock

For use on two-door enclosures with SCE concealed hinges and with both doors hinged on the left.

Oil Tight Hole Seals

Extra push button holes can be sealed against dust, dirt, oil, and water with a SCE hole seal. Seals will cover most pushbutton hole sizes. Hole seals come with oil-resistant gasket, #10-32 x 3/8" stud, zinc plated wing nut and plated steel back plate.

IS20 - Industry Standard

UL recognized 3, 3R, 4, 4X & 12 IEC 60529 IP56

Accessory Columns and Bases

Designed to allow enclosures to be floor mounted. Columns can be mounted to either size base. Columns have flanges at each end and a gasketed access plate. Bases are to be bolted to the floor. Gasket and mounting hardware included. For technical information, consult the Installation Manual at www.saginawcontrol.com. "SS" parts are stainless steel Type 304 with #4 brush finish.

Catalog No.	Height	Width	Finish	Product Code	List Price
SCE-FS1212-09	12.00	12.00	ANSI-61 Gray	P2	146.53
SCE-FS1818-09	18.00	18.00	ANSI-61 Gray	P2	183.79

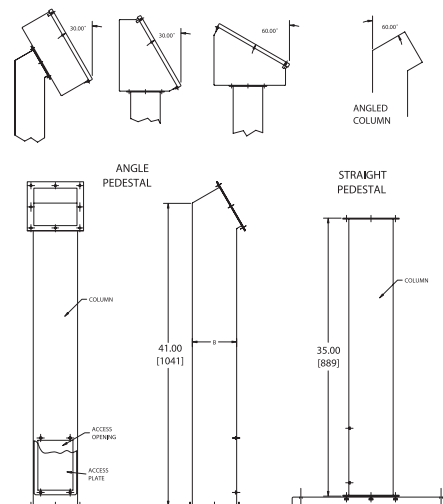


Catalog No.	Quantity Per Kit	Product Code	List Price
SCE-103758	1	P2	143.31

Catalog No.	Description	Diameter Inch	Diameter mm	Max. Hole Diameter Inch	Max. Hole Diameter mm	Quantity Per Kit	Product Code	List Price
SCE-ASPB-RAL7035	Steel - RAL7035 Gray	1.75	44	1.25	30	1	P2	5.13
SCE-ASPBG-RAL7035	Steel - RAL7035 Gray	1.22	31	.875	22	1	P2	3.63
SCE-ASPB-05	Steel - SCE-05 White	1.75	44	1.25	30	1	P2	5.13
SCE-ASPBG-05	Steel - SCE-05 White	1.22	31	.875	22	1	P2	3.63



Catalog No.	Description	Depth	Width	Product Code	List Price
SCE-44PBCOLSS	Angled Column, Stainless Steel	4.00	4.00	P2	624.00
SCE-66PBCOLSS	Angled Column, Stainless Steel	6.00	6.00	P2	654.00



DOOR HARDWARE

Nema 1 Latch

Keylocking door latch for use with Nema-1 Enclosures with Knockouts.

(Cam included)

PROTECTIVE ACCESS ENCLOSURES

Hinged Access Enclosure

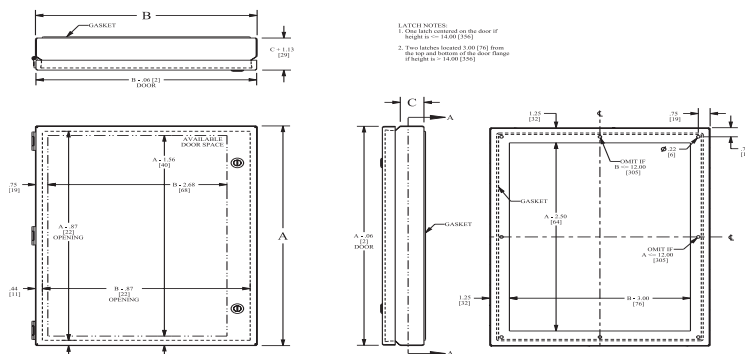
Designed to house electrical controls, instruments and components used in an indoor or outdoor environment to provide a degree of protection for the equipment inside the enclosure against ingress of solid foreign objects (falling dirt); and provide a degree of protection with respect to the harmful effects on the equipment due to the ingress of water (rain, sleet, snow).

IS2 - Industry Standards -
 NEMA Type 4, 12 & Type 13
 UL Listed Type 4 & 12
 CSA Type 4 & 12
 IEC 60529 IP66

Catalog No.	Qty. Per Kit	Finish	Product Code	List Price
SCE-L	1	Chrome	P2	11.41



Catalog No.	Height (A)	Width (B)	Depth (C)	Industry Standard	Finish	Product Code	List Price
SCE-HA1010-05	10.00	10.00	1.50	IS2	SCE-05 White	P6	247.95
SCE-HA1212-05	12.00	12.00	1.50	IS2	SCE-05 White	P6	268.92

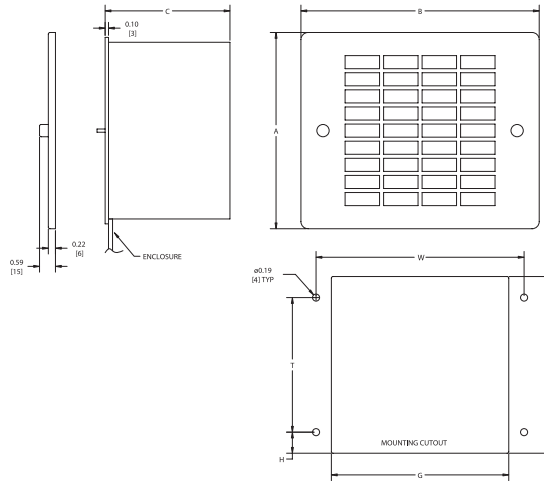


THERMAL MANAGEMENT

Fan Package

Designed for use in enclosures that require cooling but have limited space. Consists of a washable aluminum filter, steel air plenum, removable stainless steel grille, single phase fan, and approximately 14 inches of lead wire. Grille has captivated thumb nuts for easy access to the filter from the outside. Fans are available in 24 V DC. Air plenum is ANSI-61 gray powder coated. For installation information, please consult our Installation Manual at www.saginawcontrol.com. UL listed motor.

Catalog No.	Height (A)	Width (B)	Depth (C)	Cutout Size (F)	Cutout Size (G)	Mounting Dimensions (H)	Mounting Dimensions (T)	CFM	Mounting Dimensions (W)	Product Code	List Price
SCE-FA66-24VDC	7.61	8.88	3.75	7.16	7.16	1.33	4.50		7.88	P2	334.52



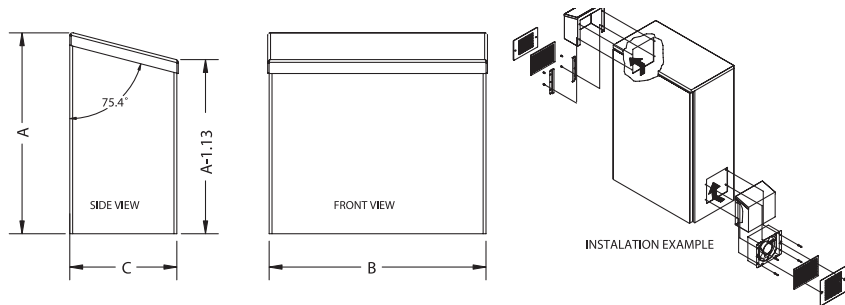
Rain Hood

Designed for use with standard fan and filter kits to prevent rain, sleet, snow, dropping water or fluids from being drawn into the enclosure. Made of heavy gauge galvanized steel and powder coated. UL Recognized. For installation information, please consult our Installation Manual at www.saginawcontrol.com.

Note: Fan and Filter Kit are sold separately.

UL Recognized Type 3R

Catalog No.	Height (A)	Width (B)	Depth (C)	Finish	Product Code	List Price
SCE-RH66-05	8.46	9.24	4.56	SCE-05 White	P2	42.60
SCE-RH1010-05	12.34	13.12	4.50	SCE-05 White	P2	47.93



MOUNTING PANELS

Sub-Panels

Construction -

Sub-panels are constructed from carbon steel. Size determines steel thickness.

Finish -

Powder coated white.

Options -

Configuration A - Add (SS) to the end of the sub-panel part number. (Example: SCE-12P10SS). Sub-panels are made of 316/316L stainless steel.

Configuration B & C - Add (SS) to the end of the sub-panel part number for 304 stainless steel (Example: SCE-30P30SS). Add (SS6) to the end of the sub-panel part number for 316/316L stainless steel (Example: SCE-30P30SS6).

Stainless Steel Sub-Panels

Construction -

Sub-panels are constructed from stainless steel. Size determines steel thickness.

Finish -

Configuration A - (Example: SCE-12P10SS) Sub-panels are made of 316/316L stainless steel with #4 brushed finish.

Configuration B & C - (Example: SCE-30P30SS) Sub-panels are made of 304 stainless steel with #4 brushed finish.

Options -

Configuration B & C - Add (6) to the end of the sub-panel part number for 316/316L stainless steel (Example: SCE-30P30SS6).

Available within 10 working days if not in stock

Catalog No.	Height (A)	Width (B)	Configuration	Edge Flanges	Product Code	List Price
SCE-10P6	8.75	4.88	A	Flat	P3	4.89
SCE-14P6	12.75	4.88	A	Flat	P3	5.98
SCE-16PB12	14.75	10.88	A	Flat	P3	13.84
SCE-36P52	32.00	48.00	C	Four	P3	161.54
SCE-42P52	38.00	48.00	C	Four	P3	209.39
SCE-48P37	44.00	34.00	C	Four	P3	148.54
SCE-48P76	44.00	72.00	C	Four	P3	351.48
SCE-60P76	56.00	72.00	C	Four	P3	411.28
SCE-60P42	57.00	39.00	C	Four	P3	265.85
SCE-72P48	68.00	44.00	C	Four	P3	348.54

Catalog No.	Height (A)	Width (B)	Configuration	Edge Flanges	Product Code	List Price
SCE-6P4SS	4.88	2.88	A	Flat	P3	7.54
SCE-6P6SS	4.88	4.88	A	Flat	P3	9.01
SCE-8P6SS	6.75	4.88	A	Flat	P3	10.43
SCE-10P8SS	8.75	6.88	A	Flat	P3	14.27
SCE-10P10SS	8.75	8.88	A	Flat	P3	16.81
SCE-12P10SS	10.75	8.88	A	Flat	P3	19.31
SCE-12P12SS	10.75	10.88	A	Flat	P3	22.72
SCE-14P12SS	12.75	10.88	A	Flat	P3	25.34
SCE-16P12SS	13.00	9.00	B	Flat	P3	37.03
SCE-16P16SS	13.00	13.00	B	Flat	P3	68.73
SCE-16P14SS	14.75	12.88	A	Flat	P3	49.87
SCE-20P16SS	17.00	13.00	B	Flat	P3	75.91
SCE-20P20SS	17.00	17.00	B	Flat	P3	88.62
SCE-24P16SS	21.00	13.00	C	Two	P3	82.28
SCE-24P20SS	21.00	17.00	C	Two	P3	110.77
SCE-24P24SS	21.00	21.00	C	Four	P3	132.93
SCE-30P24SS	27.00	21.00	C	Four	P3	158.23
SCE-30P30SS	27.00	27.00	C	Four	P3	208.88
SCE-36P16SS	33.00	13.00	C	Four	P3	132.93
SCE-36P24SS	33.00	21.00	C	Four	P3	189.91
SCE-36P30SS	33.00	27.00	C	Four	P3	253.19
SCE-36P36SS	33.00	33.00	C	Four	P3	297.46
SCE-42P30SS	39.00	27.00	C	Four	P3	291.16
SCE-42P36SS	39.00	33.00	C	Four	P3	341.81
SCE-48P24SS	45.00	21.00	C	Four	P3	246.85
SCE-48P36SS	45.00	33.00	C	Four	P3	386.16
SCE-60P30SS	57.00	27.00	C	Four	P3	398.79
SCE-60P36SS	57.00	33.00	C	Four	P3	474.74

Enviroline® Junction Enclosure (ELJ) Sub-Panels

Designed to be used with Enviroline® Series Junction Enclosures. Made of heavy gauge steel and powder coated white. GALV panels made of galvanealed steel.

Dead Front Panel For Two Door Enclosures with Center Channel

Designed for installation into Enviroline® Series two-door enclosures with center channel, to be installed in the front of an enclosure and to swing out of the enclosure. Kit consists of heavy gauge brackets, hinges, and mounting hardware. Installed by detaching door hinge from enclosure and installing swing out panel kit to the existing holes. Hinge is supplied with the enclosure. Made of steel and powder coated white. Kit contains one panel and all hardware for one dead front behind one door.

Provided with UL Recognized sealing washer to maintain Environmental Rating of the enclosure.

FREE-STANDING ENCLOSURE ACCESSORIES

Panels (Full & Half Length) For Single-Door Enclosures

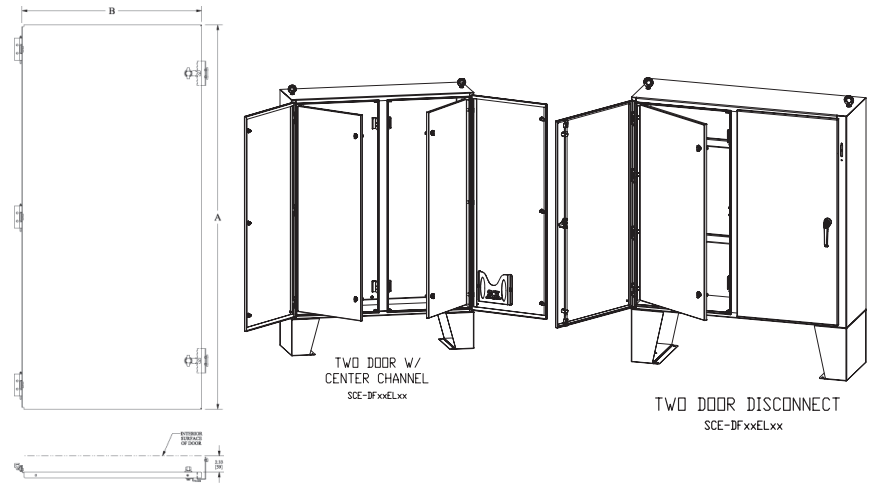
Panels for single-door enclosures can be positioned anywhere along the horizontal mounting channels. Half-length panels can be located in the upper or lower portion of the enclosure. Mounting hardware is included. Made of heavy gauge steel and powder coated white. GALV panels made of galvanized steel.

Panels (Full & Half Length) For Two-Door Enclosures

Panels for two-door enclosures can be positioned anywhere along the horizontal mounting channels. Half-length panels can be located in the upper or lower portion of the enclosure. Mounting hardware is included. Made of heavy gauge steel and powder coated white. GALV panels made of galvanized steel.

Catalog No.	Height (A)	Width (B)	Product Code	List Price
SCE-6P6JGALV	5.00	5.00	P3	3.62
SCE-8P6JGALV	7.00	5.00	P3	4.17
SCE-10P8JGALV	9.00	7.00	P3	5.70
SCE-12P12JGALV	11.00	11.00	P3	9.08
SCE-20P16JGALV	19.00	15.00	P3	48.11

Catalog No.	Height	Width	Qty. Per Kit	Product Code	List Price
SCE-DF48EL48	44.00	19.88	1	P2	261.30



Catalog No.	Panel Height	Panel Width	Enclosure Height	Enclosure Width	Product Code	List Price
Full Panel						
SCE-72P30F1GALV	60.00	26.00	72.00	30.00	P3	260.11
SCE-72P36F1GALV	60.00	32.00	72.00	36.00	P3	303.77

Catalog No.	Panel Height	Panel Width	Enclosure Height	Enclosure Width	Product Code	List Price
Full Panel						
SCE-72P60F1GALV	60.00	56.00	72.00	60.00	P3	532.07
SCE-72P72F1GALV	60.00	68.00	72.00	72.00	P3	612.37
SCE-90P72F1GALV	78.00	68.00	90.00	72.00	P3	790.56