

# MOUNTING PANELS

## SUB-PANELS

### Construction

Sub-panels are constructed from carbon steel. Size determines steel thickness.

### Options

Configuration A - Add (SS) to the end of the sub-panel part number. (Example: SCE-12P10SS). Sub-panels are made of 316/316L stainless steel.

Configuration B & C - Add (SS) to the end of the sub-panel part number for 304 stainless steel (Example: SCE-30P30SS). Add (SS6) to the end of the sub-panel part number for 316/316L stainless steel (Example: SCE-30P30SS6).

### Finish

Powder Coated White.

Catalog No.	Height (A)	Width (B)	Configuration	Edge Flanges	Product Code
<a href="#">SCE-6P4</a>	5.00	3.00	A	Flat	P3
<a href="#">SCE-6P6</a>	5.00	5.00	A	Flat	P3
<a href="#">SCE-8P6</a>	7.00	5.00	A	Flat	P3
<a href="#">SCE-8P8</a>	7.00	7.00	A	Flat	P3
<a href="#">SCE-10P6</a>	9.00	5.00	A	Flat	P3
<a href="#">SCE-10P8</a>	9.00	7.00	A	Flat	P3
<a href="#">SCE-10P10</a>	9.00	9.00	A	Flat	P3
<a href="#">SCE-12P6</a>	11.00	5.00	A	Flat	P3
<a href="#">SCE-12P10</a>	11.00	9.00	A	Flat	P3
<a href="#">SCE-12DLP12</a>	9.00	9.00	B	Flat	P3
<a href="#">SCE-12P12</a>	11.00	11.00	A	Flat	P3
<a href="#">SCE-12P24</a>	9.00	21.00	C	Four	P3
<a href="#">SCE-14P6</a>	13.00	5.00	A	Flat	P3
<a href="#">SCE-14P8</a>	13.00	7.00	A	Flat	P3
<a href="#">SCE-14P12</a>	13.00	11.00	A	Flat	P3
<a href="#">SCE-16P10</a>	15.00	9.00	A	Flat	P3
<a href="#">SCE-16P12</a>	13.00	9.00	B	Flat	P3
<a href="#">SCE-16P12</a>	15.00	11.00	A	Flat	P3
<a href="#">SCE-16DLP14</a>	13.00	11.00	B	Flat	P3
<a href="#">SCE-16P14</a>	15.00	13.00	A	Flat	P3
<a href="#">SCE-16P16</a>	13.00	13.00	B	Flat	P3
<a href="#">SCE-18P16PC</a>	16.88	14.88	A	Flat	P3
<a href="#">SCE-20P12</a>	17.00	9.00	B	Flat	P3
<a href="#">SCE-20P16</a>	17.00	13.00	B	Flat	P3
<a href="#">SCE-20P16J</a>	19.00	15.00	A	Flat	P3
<a href="#">SCE-20P18HMI</a>	19.00	17.00	A	Flat	P3
<a href="#">SCE-20P20</a>	17.00	17.00	B	Flat	P3
<a href="#">SCE-20P20J</a>	19.00	19.00	A	Flat	P3
<a href="#">SCE-24P16</a>	21.00	13.00	C	Four	P3
<a href="#">SCE-24P20</a>	21.00	17.00	C	Four	P3
<a href="#">SCE-24P24</a>	21.00	21.00	C	Four	P3
<a href="#">SCE-24P24PC</a>	22.75	22.75	A	Flat	P3
<a href="#">SCE-30P16</a>	27.00	13.00	C	Four	P3
<a href="#">SCE-30P20</a>	27.00	17.00	C	Four	P3
<a href="#">SCE-30P24</a>	27.00	21.00	C	Four	P3
<a href="#">SCE-30P30</a>	27.00	27.00	C	Four	P3
<a href="#">SCE-36P16</a>	33.00	13.00	C	Four	P3
<a href="#">SCE-36P24</a>	33.00	21.00	C	Four	P3
<a href="#">SCE-36P30</a>	33.00	27.00	C	Four	P3
<a href="#">SCE-36P36</a>	33.00	33.00	C	Four	P3
<a href="#">SCE-36P52</a>	32.00	48.00	C	Four	P3
<a href="#">SCE-40P24</a>	37.00	21.00	C	Four	P3
<a href="#">SCE-42P24</a>	39.00	21.00	C	Four	P3
<a href="#">SCE-42P30</a>	39.00	27.00	C	Four	P3
<a href="#">SCE-42P36</a>	39.00	33.00	C	Four	P3
<a href="#">SCE-42P42</a>	39.00	39.00	C	Four	P3
<a href="#">SCE-42P52</a>	38.00	48.00	C	Four	P3
<a href="#">SCE-48P24</a>	45.00	21.00	C	Four	P3
<a href="#">SCE-48P30</a>	45.00	27.00	C	Four	P3
<a href="#">SCE-48P36</a>	45.00	33.00	C	Four	P3
<a href="#">SCE-48P37</a>	44.00	34.00	C	Four	P3
<a href="#">SCE-48P42</a>	45.00	39.00	C	Four	P3
<a href="#">SCE-48P48</a>	44.00	44.00	C	Four	P3
<a href="#">SCE-48P76</a>	44.00	72.00	C	Four	P3
<a href="#">SCE-60P24</a>	57.00	21.00	C	Four	P3
<a href="#">SCE-60P30</a>	57.00	27.00	C	Four	P3
<a href="#">SCE-60P36</a>	57.00	33.00	C	Four	P3
<a href="#">SCE-60PC36</a>	55.63	33.00	C	Four	P3
<a href="#">SCE-60P42</a>	57.00	39.00	C	Four	P3
<a href="#">SCE-60BFP42</a>	56.00	38.00	C	Four	P3
<a href="#">SCE-60P48</a>	56.00	44.00	C	Four	P3

# MOUNTING PANELS

## SUB-PANELS

### Construction

Sub-panels are constructed from carbon steel. Size determines steel thickness.

### Options

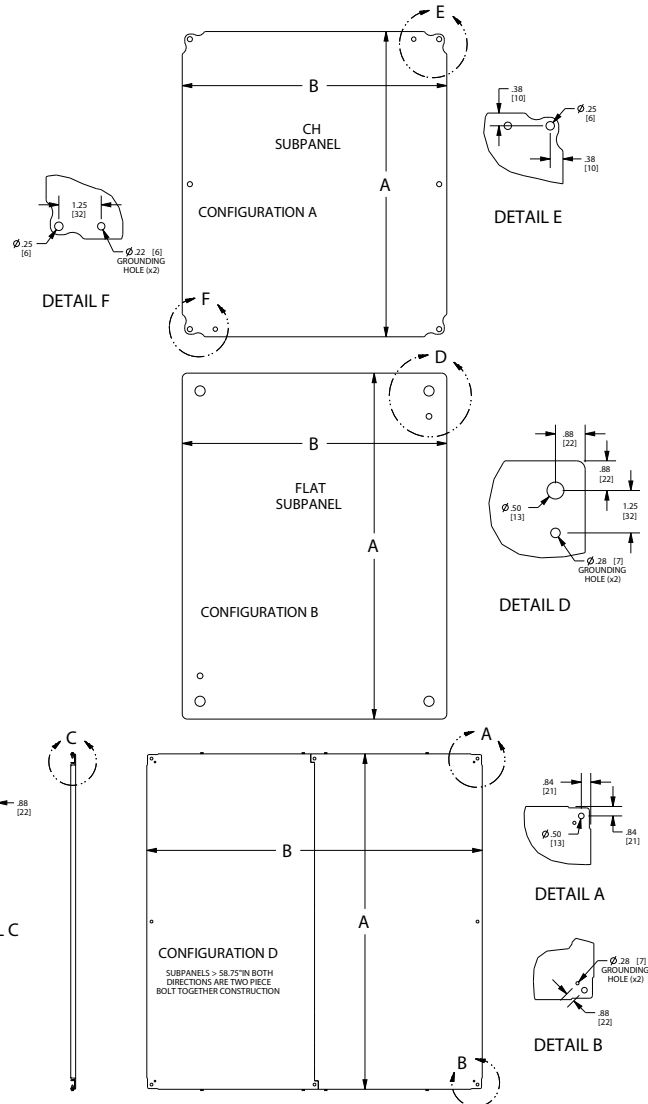
Configuration A - Add (SS) to the end of the sub-panel part number. (Example: SCE-12P10SS). Sub-panels are made of 316/316L stainless steel.

Configuration B & C - Add (SS) to the end of the sub-panel part number for 304 stainless steel (Example: SCE-30P30SS). Add (SS6) to the end of the sub-panel part number for 316/316L stainless steel (Example: SCE-30P30SS6).

### Finish

Powder Coated White.

Catalog No.	Height (A)	Width (B)	Configuration	Edge Flanges	Product Code
<a href="#">SCE-60P60</a>	56.00	56.00	C	Four	P3
<a href="#">SCE-60P76</a>	56.00	72.00	C	Four	P3
<a href="#">SCE-64P25</a>	60.00	21.75	C	Four	P3
<a href="#">SCE-64P31</a>	60.00	27.75	C	Four	P3
<a href="#">SCE-64P37</a>	60.00	33.75	C	Four	P3
<a href="#">SCE-64P52</a>	60.00	48.00	C	Four	P3
<a href="#">SCE-64P64</a>	60.00	60.00	C	Four	P3
<a href="#">SCE-64P76</a>	60.00	72.00	C	Four	P3
<a href="#">SCE-72P30</a>	69.00	27.00	C	Four	P3
<a href="#">SCE-72P36</a>	69.00	33.00	C	Four	P3
<a href="#">SCE-72P48</a>	68.00	44.00	C	Four	P3
<a href="#">SCE-72P60</a>	68.00	56.00	C	Four	P3
<a href="#">SCE-72P72</a>	68.00	68.00	C	Four	P3
<a href="#">SCE-76P37</a>	72.00	33.75	C	Four	P3
<a href="#">SCE-76P76</a>	72.00	72.00	C	Four	P3
<a href="#">SCE-82P37</a>	78.00	33.75	C	Four	P3
<a href="#">SCE-82P76</a>	78.00	72.00	C	Four	P3



# MOUNTING PANELS

## STAINLESS STEEL SUB-PANELS

### Construction

Sub-panels are constructed from stainless steel. Size determines steel thickness.

### Finish

Configuration A - (Example: SCE-12P10SS). Sub-panels are made of 316/316L stainless steel with #4 brushed finish.

Configuration B & C - (Example: SCE-30P30SS) Sub-panels are made of 304 stainless steel with #4 brushed finish.

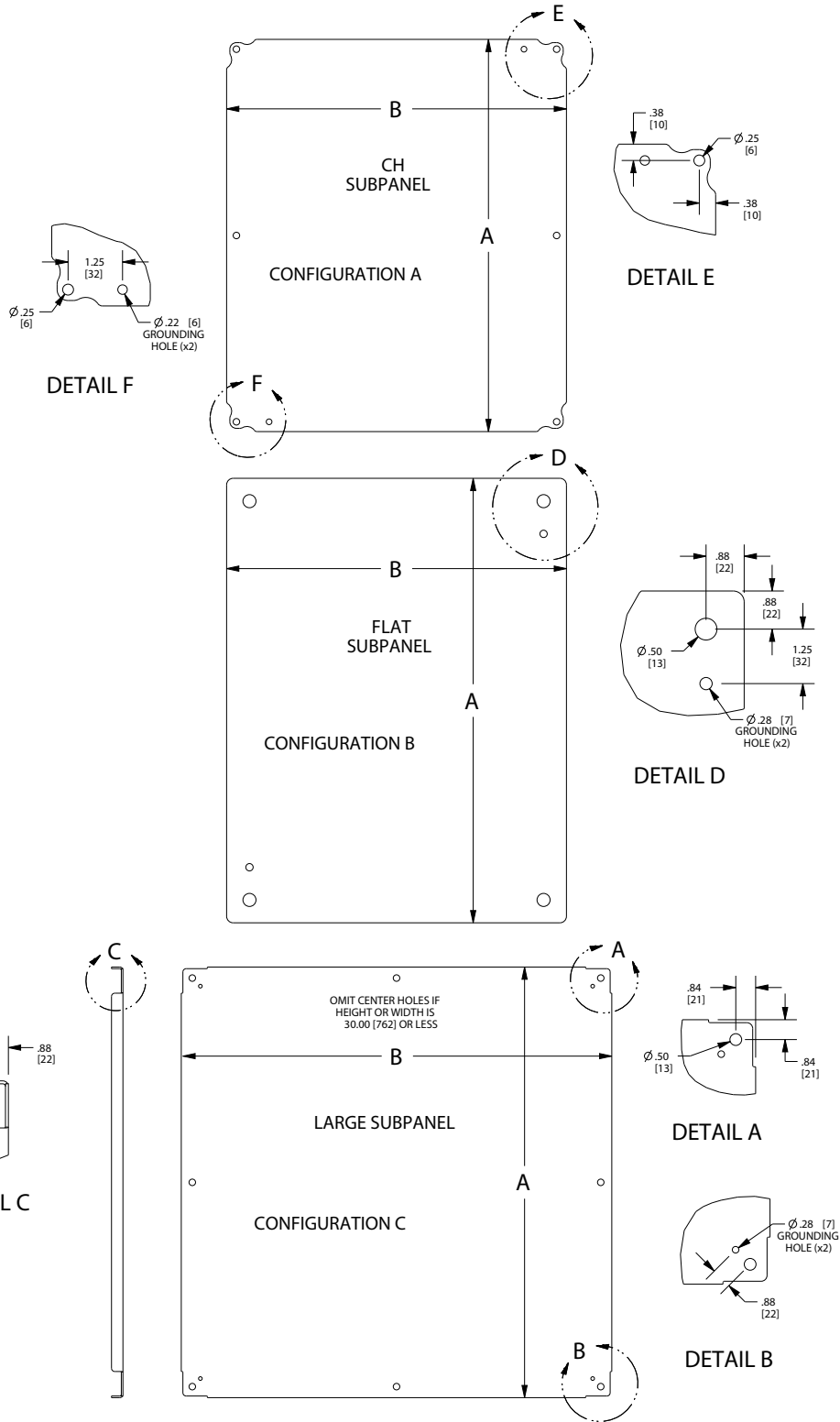
### Options

Configuration B & C - Add (6) to the end of the sub-panel part number for 316/316L stainless steel (Example: SCE-30P30SS6).

Catalog No.	Height (A)	Width (B)	Configuration	Edge Flanges	Product Code
<a href="#">SCE-6P4SS</a>	5.00	3.00	A	Flat	P3
<a href="#">SCE-6P6SS</a>	5.00	5.00	A	Flat	P3
<a href="#">SCE-8P6SS</a>	7.00	5.00	A	Flat	P3
<a href="#">SCE-10P8SS</a>	9.00	7.00	A	Flat	P3
<a href="#">SCE-10P10SS</a>	9.00	9.00	A	Flat	P3
<a href="#">SCE-12P10SS</a>	11.00	9.00	A	Flat	P3
<a href="#">SCE-12P12SS</a>	11.00	11.00	A	Flat	P3
<a href="#">SCE-14P12SS</a>	13.00	11.00	A	Flat	P3
<a href="#">SCE-16P12SS</a>	13.00	9.00	A	Flat	P3
<a href="#">SCE-16P14SS</a>	15.00	13.00	A	Flat	P3
<a href="#">SCE-16P16SS</a>	13.00	13.00	B	Flat	P3
<a href="#">SCE-20P16SS</a>	17.00	13.00	B	Flat	P3
<a href="#">SCE-20P20SS</a>	17.00	17.00	B	Flat	P3
<a href="#">SCE-24P16SS</a>	21.00	13.00	C	Four	P3
<a href="#">SCE-24P20SS</a>	21.00	17.00	C	Four	P3
<a href="#">SCE-24P24SS</a>	21.00	21.00	C	Four	P3
<a href="#">SCE-30P24SS</a>	27.00	21.00	C	Four	P3
<a href="#">SCE-30P30SS</a>	27.00	27.00	C	Four	P3
<a href="#">SCE-36P16SS</a>	33.00	13.00	C	Four	P3
<a href="#">SCE-36P24SS</a>	33.00	21.00	C	Four	P3
<a href="#">SCE-36P30SS</a>	33.00	27.00	C	Four	P3
<a href="#">SCE-36P36SS</a>	33.00	33.00	C	Four	P3
<a href="#">SCE-42P30SS</a>	39.00	27.00	C	Four	P3
<a href="#">SCE-42P36SS</a>	39.00	33.00	C	Four	P3
<a href="#">SCE-48P24SS</a>	45.00	21.00	C	Four	P3
<a href="#">SCE-48P36SS</a>	45.00	33.00	C	Four	P3
<a href="#">SCE-60P30SS</a>	57.00	27.00	C	Four	P3
<a href="#">SCE-60P36SS</a>	57.00	33.00	C	Four	P3

# MOUNTING PANELS

## TECHNICAL DATA



# MOUNTING PANELS

## GALVANIZED SUB-PANELS

### Construction

Sub-panels are constructed from galvanized or galvanized steel for direct bonding of electrical components. Size determines steel thickness.

### Finish

Configuration A & B - (Example: SCE-12P10GALV). Sub-panels are made of galvanized steel.

Configuration C & D - (Example: SCE-30P30GALV) Sub-panels are made of galvanized steel.

Catalog No.	Height (A)	Width (B)	Configuration	Edge Flanges	Product Code
<a href="#">SCE-6P4GALV</a>	5.00	3.00	A	Flat	P3
<a href="#">SCE-6P6GALV</a>	5.00	5.00	A	Flat	P3
<a href="#">SCE-8P6GALV</a>	7.00	5.00	A	Flat	P3
<a href="#">SCE-8P8GALV</a>	7.00	7.00	A	Flat	P3
<a href="#">SCE-10P8GALV</a>	9.00	7.00	A	Flat	P3
<a href="#">SCE-10P10GALV</a>	9.00	9.00	A	Flat	P3
<a href="#">SCE-12DLP12GALV</a>	9.00	9.00	B	Flat	P3
<a href="#">SCE-12P6GALV</a>	11.00	5.00	A	Flat	P3
<a href="#">SCE-12P10GALV</a>	11.00	9.00	A	Flat	P3
<a href="#">SCE-12P12GALV</a>	11.00	11.00	A	Flat	P3
<a href="#">SCE-12P24GALV</a>	9.00	21.00	C	Four	P3
<a href="#">SCE-14P8GALV</a>	13.00	7.00	A	Flat	P3
<a href="#">SCE-14P12GALV</a>	13.00	11.00	A	Flat	P3
<a href="#">SCE-16P10GALV</a>	15.00	9.00	A	Flat	P3
<a href="#">SCE-16P12GALV</a>	13.00	9.00	B	Flat	P3
<a href="#">SCE-16DLP14GALV</a>	13.00	11.00	B	Flat	P3
<a href="#">SCE-16P14GALV</a>	15.00	13.00	A	Flat	P3
<a href="#">SCE-16P16GALV</a>	13.00	13.00	B	Flat	P3
<a href="#">SCE-20P12GALV</a>	17.00	9.00	B	Flat	P3
<a href="#">SCE-20P16GALV</a>	17.00	13.00	B	Flat	P3
<a href="#">SCE-20P16JGALV</a>	19.00	15.00	A	Flat	P3
<a href="#">SCE-20P18HMIGALV</a>	19.00	17.00	A	Flat	P3
<a href="#">SCE-20P20GALV</a>	17.00	17.00	B	Flat	P3
<a href="#">SCE-24P16GALV</a>	21.00	13.00	C	Four	P3
<a href="#">SCE-24P20GALV</a>	21.00	17.00	C	Four	P3
<a href="#">SCE-24P24GALV</a>	21.00	21.00	C	Four	P3
<a href="#">SCE-30P16GALV</a>	27.00	13.00	C	Four	P3
<a href="#">SCE-30P20GALV</a>	27.00	17.00	C	Four	P3
<a href="#">SCE-30P24GALV</a>	27.00	21.00	C	Four	P3
<a href="#">SCE-30P30GALV</a>	27.00	27.00	C	Four	P3
<a href="#">SCE-36P16GALV</a>	33.00	13.00	C	Four	P3
<a href="#">SCE-36P24GALV</a>	33.00	21.00	C	Four	P3
<a href="#">SCE-36P30GALV</a>	33.00	27.00	C	Four	P3
<a href="#">SCE-36P36GALV</a>	33.00	33.00	C	Four	P3
<a href="#">SCE-40P24GALV</a>	37.00	21.00	C	Four	P3
<a href="#">SCE-42P24GALV</a>	39.00	21.00	C	Four	P3
<a href="#">SCE-42P30GALV</a>	39.00	27.00	C	Four	P3
<a href="#">SCE-42P36GALV</a>	39.00	33.00	C	Four	P3
<a href="#">SCE-42P42GALV</a>	39.00	39.00	C	Four	P3
<a href="#">SCE-48P24GALV</a>	45.00	21.00	C	Four	P3
<a href="#">SCE-48P30GALV</a>	45.00	27.00	C	Four	P3
<a href="#">SCE-48P36GALV</a>	45.00	33.00	C	Four	P3
<a href="#">SCE-48P42GALV</a>	45.00	39.00	C	Four	P3
<a href="#">SCE-48P48GALV</a>	44.00	44.00	C	Four	P3
<a href="#">SCE-60P24GALV</a>	57.00	21.00	C	Four	P3
<a href="#">SCE-60P30GALV</a>	57.00	27.00	C	Four	P3
<a href="#">SCE-60P36GALV</a>	57.00	33.00	C	Four	P3
<a href="#">SCE-60BFP42GALV</a>	56.00	38.00	C	Four	P3
<a href="#">SCE-60P48GALV</a>	56.00	44.00	C	Four	P3
<a href="#">SCE-60P60GALV</a>	56.00	56.00	D	Four	P3
<a href="#">SCE-64P25GALV</a>	60.00	21.75	C	Four	P3

# MOUNTING PANELS

## TECHNICAL DATA

### GALVANIZED SUB-PANELS

#### Construction

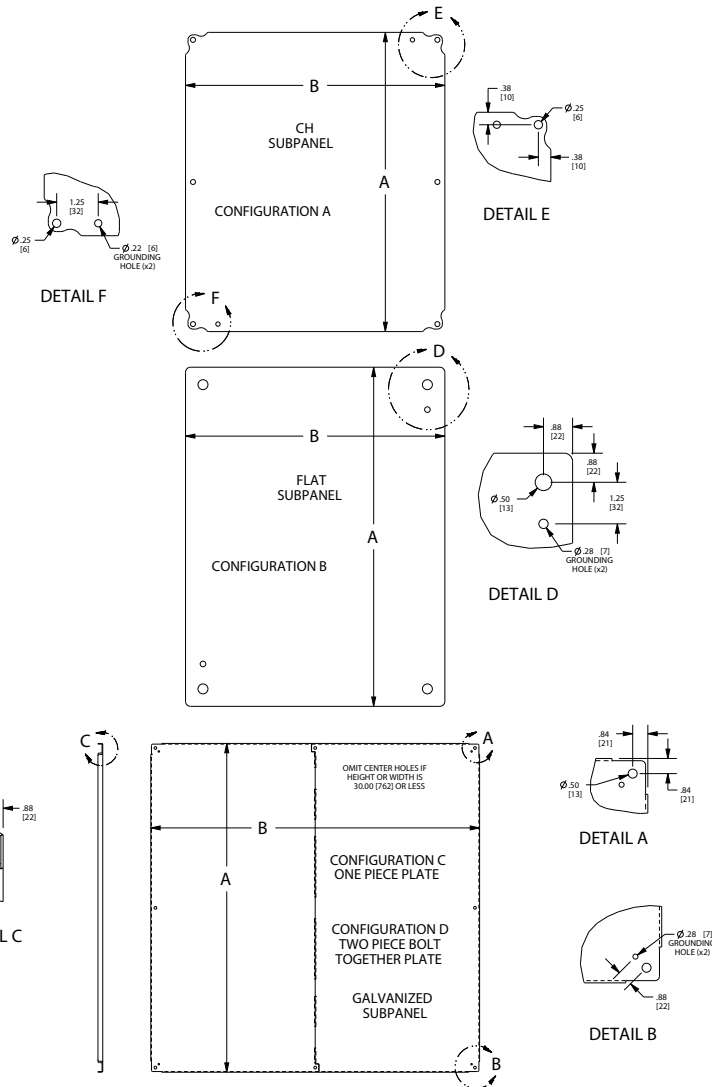
Sub-panels are constructed from galvanized or galvanized steel for direct bonding of electrical components. Size determines steel thickness.

#### Finish

Configuration A & B - (Example: SCE-12P10GALV). Sub-panels are made of galvanized steel.

Configuration C & D - (Example: SCE-30P30GALV) Sub-panels are made of galvanized steel.

Catalog No.	Height (A)	Width (B)	Configuration	Edge Flanges	Product Code
<a href="#">SCE-64P31GALV</a>	60.00	27.75	C	Four	P3
<a href="#">SCE-64P37GALV</a>	60.00	33.75	C	Four	P3
<a href="#">SCE-64P52GALV</a>	60.00	48.00	C	Four	P3
<a href="#">SCE-64P64GALV</a>	60.00	60.00	D	Four	P3
<a href="#">SCE-64P76GALV</a>	60.00	72.00	D	Four	P3
<a href="#">SCE-72P30GALV</a>	69.00	27.00	C	Four	P3
<a href="#">SCE-72P36GALV</a>	69.00	33.00	C	Four	P3
<a href="#">SCE-72P60GALV</a>	68.00	56.00	C	Four	P3
<a href="#">SCE-72P72GALV</a>	68.00	68.00	D	Four	P3
<a href="#">SCE-76P37GALV</a>	72.00	33.75	C	Four	P3
<a href="#">SCE-76P76GALV</a>	72.00	72.00	D	Four	P3
<a href="#">SCE-82P37GALV</a>	78.00	33.75	C	Four	P3
<a href="#">SCE-82P76GALV</a>	78.00	72.00	D	Four	P3



# MOUNTING PANELS

## ALUMINUM SUB-PANELS FOR FIBERGLASS ENCLOSURES

Designed to mount in the back of an enclosure. Made of marine grade aluminum.

Catalog No.	Height (A)	Width (B)	Edge Flanges	Product Code
<a href="#">SCE-6P4AL</a>	5.00	3.00	Flat	F2
<a href="#">SCE-6P6AL</a>	5.00	5.00	Flat	F2
<a href="#">SCE-8P6AL</a>	7.00	5.00	Flat	F2
<a href="#">SCE-8P8AL</a>	7.00	7.00	Flat	F2
<a href="#">SCE-10P8AL</a>	9.00	7.00	Flat	F2
<a href="#">SCE-12P10AL</a>	11.00	9.00	Flat	F2
<a href="#">SCE-12P12AL</a>	11.00	11.00	Flat	F2
<a href="#">SCE-14P8AL</a>	13.00	7.00	Flat	F2
<a href="#">SCE-14P12AL</a>	13.00	11.00	Flat	F2
<a href="#">SCE-16P10AL</a>	13.00	8.50	Flat	F2
<a href="#">SCE-16P14AL</a>	15.00	13.00	Flat	F2
<a href="#">SCE-18P16AL</a>	16.88	14.88	Flat	F2
<a href="#">SCE-20P16AL</a>	17.00	13.00	Flat	F2
<a href="#">SCE-20PJ16AL</a>	18.88	14.88	Flat	F2
<a href="#">SCE-24P12AL</a>	21.00	9.00	Flat	F2
<a href="#">SCE-24P20AL</a>	21.00	17.00	Four	F2
<a href="#">SCE-24P24PCAL</a>	22.75	22.75	Flat	F2
<a href="#">SCE-30P20AL</a>	27.00	17.00	Four	F2
<a href="#">SCE-30P24AL</a>	27.00	21.00	Four	F2
<a href="#">SCE-36P30AL</a>	33.00	27.00	Four	F2

## ELJ CONSOLET SUB-PANELS

Designed to be used with ELJ Consolets. Made of heavy gauge steel and powder coated white.

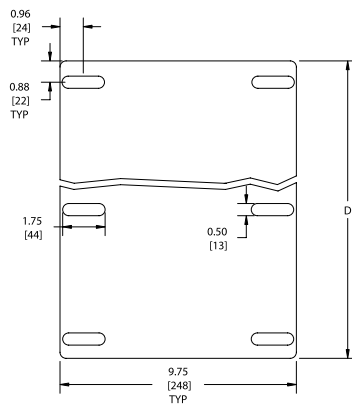
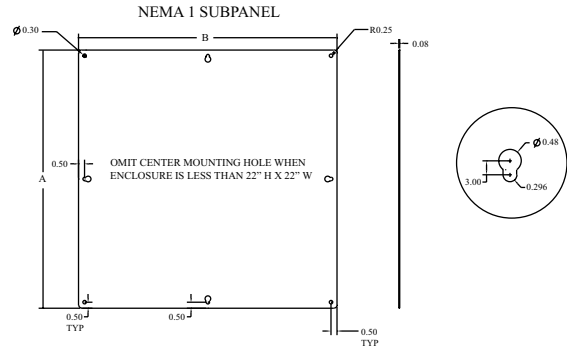
Catalog No.	Height (A)	Width (B)	Configuration	Edge Flanges	Product Code
<a href="#">SCE-8P8C</a>	6.00	6.75	A	Flat	P3
<a href="#">SCE-8P12C</a>	6.00	10.75	A	Flat	P3
<a href="#">SCE-8P16C</a>	6.00	14.75	A	Flat	P3
<a href="#">SCE-8P20C</a>	6.00	18.75	A	Flat	P3
<a href="#">SCE-12P12C</a>	9.50	10.75	A	Flat	P3
<a href="#">SCE-12P16C</a>	9.50	14.75	A	Flat	P3
<a href="#">SCE-12P20C</a>	9.50	18.75	A	Flat	P3
<a href="#">SCE-12P24C</a>	9.50	22.75	A	Flat	P3
<a href="#">SCE-16P20C</a>	12.88	18.75	A	Flat	P3
<a href="#">SCE-16P24C</a>	12.88	22.75	A	Flat	P3
<a href="#">SCE-16P30C</a>	12.88	28.75	A	Flat	P3
<a href="#">SCE-20P20C</a>	16.38	18.75	A	Flat	P3
<a href="#">SCE-20P24C</a>	16.38	22.75	A	Flat	P3
<a href="#">SCE-20P30C</a>	16.38	28.75	A	Flat	P3

# MOUNTING PANELS

## TYPE I SUB-PANELS

Designed to be used with Nema 1 enclosures. Made of heavy gauge steel and powder coated white.

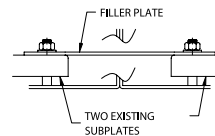
Catalog No.	Height (A)	Width (B)	Product Code
<a href="#">SCE-6N6MP</a>	4.00	4.00	N1
<a href="#">SCE-8N6MP</a>	6.00	4.00	N1
<a href="#">SCE-8N8MP</a>	6.00	6.00	N1
<a href="#">SCE-10N8MP</a>	8.00	6.00	N1
<a href="#">SCE-10N10MP</a>	8.00	8.00	N1
<a href="#">SCE-12N10MP</a>	10.00	8.00	N1
<a href="#">SCE-12N12MP</a>	10.00	10.00	N1
<a href="#">SCE-14N12MP</a>	12.00	10.00	N1
<a href="#">SCE-16N12MP</a>	14.00	10.00	N1
<a href="#">SCE-16N16MP</a>	14.00	14.00	N1
<a href="#">SCE-20N16MP</a>	18.00	14.00	N1
<a href="#">SCE-20N20MP</a>	18.00	18.00	N1
<a href="#">SCE-24N16MP</a>	22.00	14.00	N1
<a href="#">SCE-24N20MP</a>	22.00	18.00	N1
<a href="#">SCE-24N24MP</a>	22.00	22.00	N1
<a href="#">SCE-30N24MP</a>	28.00	22.00	N1
<a href="#">SCE-30N30MP</a>	28.00	28.00	N1
<a href="#">SCE-36N24MP</a>	34.00	22.00	N1
<a href="#">SCE-36N30MP</a>	34.00	28.00	N1



## FILLER PLATES

Designed to provide additional mounting surface between sub-panels in a large enclosure or between sub-panels or sections of a modular enclosure. Slotted mounting holes allow flexible installation. Panels are powder coated white.

Catalog No.	Height (D)	Width	Enclosure Height	Product Code
<a href="#">SCE-72FP</a>	60.00	9.75	72.00	P3
<a href="#">SCE-84FP</a>	72.00	9.75	84.00	P3
<a href="#">SCE-90FP</a>	78.00	9.75	90.00	P3



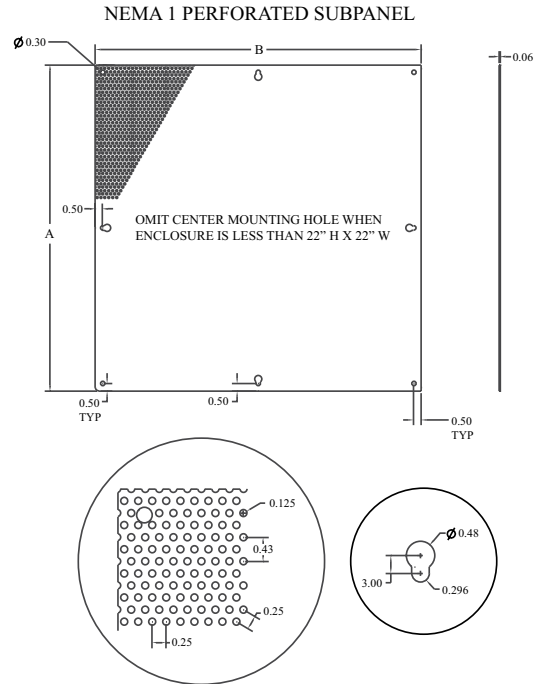


# MOUNTING PANELS

## PERFORATED SUB-PANELS

Perforated Sub-panels have 0.13 mounting holes with 0.25 staggered patterns for the installation of lightweight control components with #8 self threading screws, for use in small and medium size Type 1 enclosures.

Catalog No.	Height (A)	Width (B)	Product Code
<a href="#">SCE-6N6MPP</a>	4.00	4.00	N1
<a href="#">SCE-8N6MPP</a>	6.00	4.00	N1
<a href="#">SCE-8N8MPP</a>	6.00	6.00	N1
<a href="#">SCE-10N8MPP</a>	8.00	6.00	N1
<a href="#">SCE-10N10MPP</a>	8.00	8.00	N1
<a href="#">SCE-12N10MPP</a>	10.00	8.00	N1
<a href="#">SCE-12N12MPP</a>	10.00	10.00	N1
<a href="#">SCE-14N12MPP</a>	12.00	10.00	N1
<a href="#">SCE-16N12MPP</a>	14.00	10.00	N1
<a href="#">SCE-16N16MPP</a>	14.00	14.00	N1
<a href="#">SCE-20N16MPP</a>	18.00	14.00	N1
<a href="#">SCE-20N20MPP</a>	18.00	18.00	N1
<a href="#">SCE-24N16MPP</a>	22.00	14.00	N1
<a href="#">SCE-24N20MPP</a>	22.00	18.00	N1
<a href="#">SCE-24N24MPP</a>	22.00	22.00	N1
<a href="#">SCE-30N24MPP</a>	28.00	22.00	N1
<a href="#">SCE-30N30MPP</a>	28.00	28.00	N1
<a href="#">SCE-36N24MPP</a>	34.00	22.00	N1
<a href="#">SCE-36N30MPP</a>	34.00	28.00	N1



## INDIVIDUAL PANEL SUPPORTS

Individual Panel Supports are available for mounting sub-panels. Packaged in sets with all mounting hardware included. Made of heavy gauge steel and plated. For technical information, consult our Installation Manual at [www.saginawcontrol.com](http://www.saginawcontrol.com).

Catalog No.	Notes	Product Code
<a href="#">SCE-FSPS4</a>	Set of 4	P2
<a href="#">SCE-FSPS6</a>	Set of 6	P2
<a href="#">SCE-FSPS8</a>	Set of 8	P2



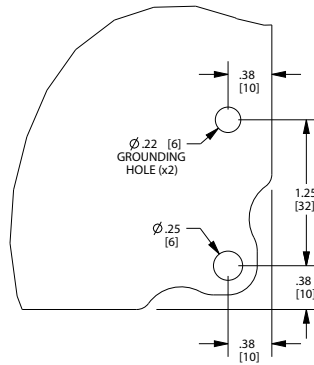
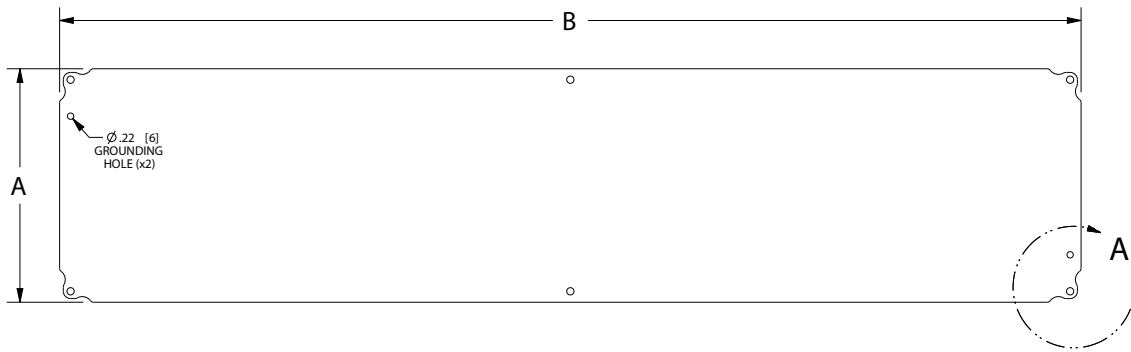
# MOUNTING PANELS

## TECHNICAL DATA

### ENVIROLINE® TROUGH ENCLOSURE (ELJ) SUB-PANELS

Catalog No.	Height (A)	Width (B)	Product Code
SCE-9P12L	8.00	11.00	P3
<a href="#">SCE-9P18L</a>	8.00	17.00	P3
<a href="#">SCE-9P24L</a>	8.00	23.00	P3
<a href="#">SCE-9P30L</a>	8.00	29.00	P3
<a href="#">SCE-9P36L</a>	8.00	35.00	P3

Designed to be used with Enviroline® Series Trough Enclosures. Made of heavy gauge steel and powder coated white..



DETAIL A

**MOUNTING HOLE NOTES:**  
Omit center hole top and bottom when sub-panel width is < 15.00 [381]

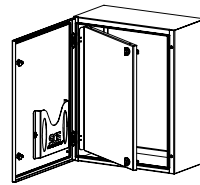
# MOUNTING PANELS

## DEAD FRONT PANEL FOR WALL-MOUNT ENCLOSURES

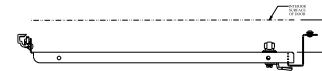
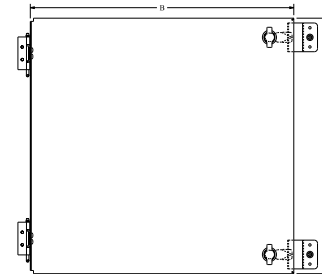
Catalog No.	Height	Width	Product Code
<a href="#">SCE-DF20EL16LP</a>	16.00	12.63	P2
<a href="#">SCE-DF20EL20LP</a>	16.00	16.63	P2
<a href="#">SCE-DF24EL20LP</a>	20.00	16.63	P2
<a href="#">SCE-DF24EL24LP</a>	20.00	20.63	P2
<a href="#">SCE-DF30EL20LP</a>	26.00	16.63	P2
<a href="#">SCE-DF30EL24LP</a>	26.00	20.63	P2
<a href="#">SCE-DF30EL30LP</a>	26.00	26.63	P2
<a href="#">SCE-DF36EL20LP</a>	32.00	17.63	P2
<a href="#">SCE-DF36EL24LP</a>	32.00	20.63	P2
<a href="#">SCE-DF36EL30LP</a>	32.00	26.63	P2
<a href="#">SCE-DF36EL36LP</a>	32.00	32.63	P2
<a href="#">SCE-DF42EL24LP</a>	38.00	20.63	P2
<a href="#">SCE-DF42EL30LP</a>	38.00	26.63	P2
<a href="#">SCE-DF42EL36LP</a>	38.00	32.63	P2
<a href="#">SCE-DF48EL24LP</a>	44.00	20.63	P2
<a href="#">SCE-DF48EL36LP</a>	44.00	32.63	P2
<a href="#">SCE-DF60EL36LP</a>	56.00	32.63	P2
<a href="#">SCE-DF72EL36LP</a>	68.00	32.63	P2

Designed for use in Wall Mount Enclosures with SCE concealed hinges, to be installed in the front of an enclosure and to swing out of the enclosure. Kit consists of heavy gauge brackets, hinges, and mounting hardware. Installed by detaching door hinge from enclosure and installing swing out panel kit to the existing holes. Hinge supplied with the enclosure. Made of steel and powder coated white.

Provided with UL Recognized sealing washer to maintain Environmental Rating of the enclosure.



WALL MOUNT  
SCE-DFxxELxxLP

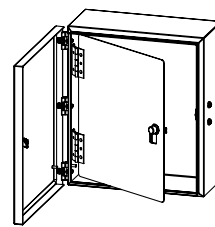
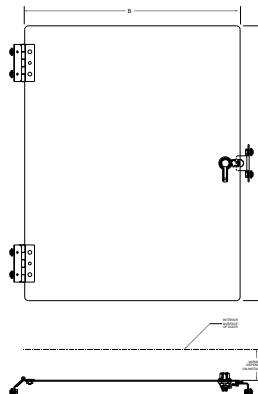


## DEAD FRONT PANEL FOR CHNF & ELJ ENCLOSURES

Catalog No.	Height	Width	Product Code
<a href="#">SCE-DFJ1008</a>	8.50	6.50	P2
<a href="#">SCE-DFJ1210</a>	10.50	8.50	P2
<a href="#">SCE-DFJ1212</a>	10.50	10.50	P2
<a href="#">SCE-DFJ1412</a>	12.50	10.50	P2
<a href="#">SCE-DFJ1614</a>	14.50	12.50	P2
<a href="#">SCE-DFJ2016</a>	18.50	14.50	P2

Designed for installation into Envirolite® Series junction enclosures and continuous hinged junction enclosures, to be installed in the front of an enclosure and to swing out of the enclosure. Kit consists of heavy gauge brackets, hinges, and mounting hardware. Installed by drilling hole in the side of the enclosure. Made of steel and powder coated white.

Provided with UL Recognized sealing washer to maintain Environmental Rating of the enclosure.



CHNF / ELJ  
SCE-DF Jxx

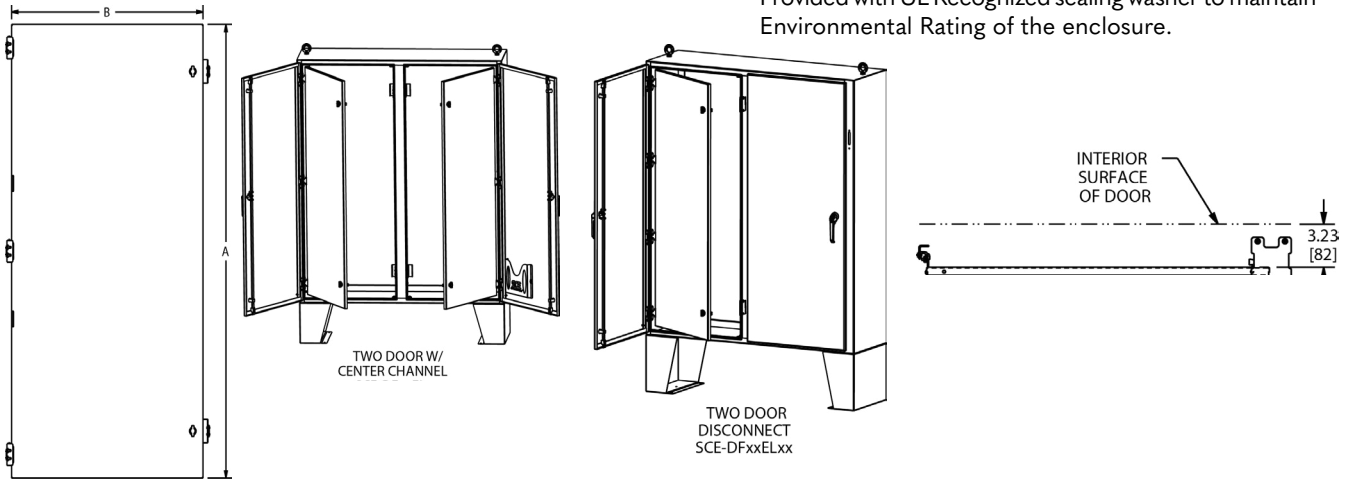
# MOUNTING PANELS

## DEAD FRONT PANEL FOR TWO-DOOR ENCLOSURES WITH CENTER CHANNEL

Catalog No.	Height	Width	Qty Per Kit	Product Code
<a href="#">SCE-DF48EL48</a>	44.00	19.88	1	P2
<a href="#">SCE-DF60EL48</a>	60.00	20.00	1	P2
<a href="#">SCE-DF60EL60</a>	56.00	25.88	1	P2
<a href="#">SCE-DF72EL60</a>	68.00	25.88	1	P2
<a href="#">SCE-DF72EL72</a>	68.00	31.88	1	P2

Designed for installation into Enviroline® Series two-door enclosures with center channel, to be installed in the front of an enclosure and to swing out of the enclosure. Kit consists of heavy gauge brackets, hinges, and mounting hardware. Installed by detaching door hinge from enclosure and installing swing out panel kit to the existing holes. Hinge is supplied with the enclosure. Made of steel and powder coated white. Kit contains one panel and all hardware for one dead front behind one door.

Provided with UL Recognized sealing washer to maintain Environmental Rating of the enclosure.

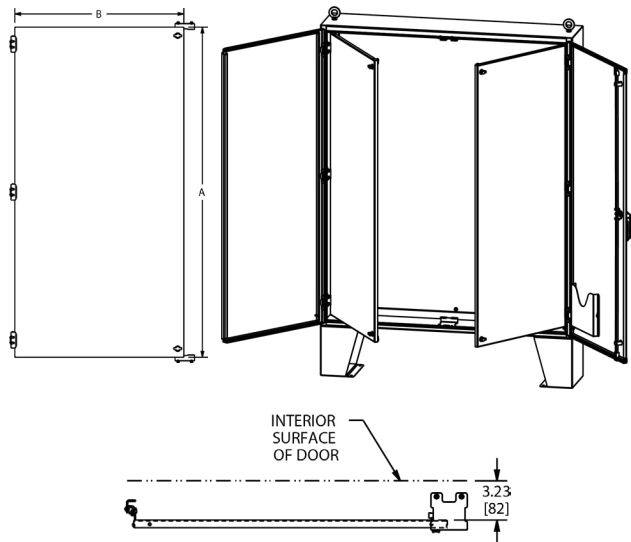


## DEAD FRONT PANEL FOR TWO-DOOR ENCLOSURES WITH OVERLAPPING DOORS

Catalog No.	Height	Width	Qty Per Kit	Product Code
<a href="#">SCE-DF6048</a>	56.00	22.13	1	P2
<a href="#">SCE-DF6060</a>	55.50	28.13	1	P2
<a href="#">SCE-DF7260</a>	67.50	28.13	1	P2
<a href="#">SCE-DF7272</a>	68.00	34.13	1	P2

Designed for installation into two-door enclosures with overlapping doors, to be installed in the front of an enclosure and to swing out of the enclosure. Kit consists of heavy gauge brackets, hinges, and mounting hardware. Installed by detaching door hinge from enclosure and installing swing out panel kit to the existing holes. Hinge is supplied with the enclosure. Made of steel and powder coated white. Kit contains one panel and all hardware for one dead front behind one door.

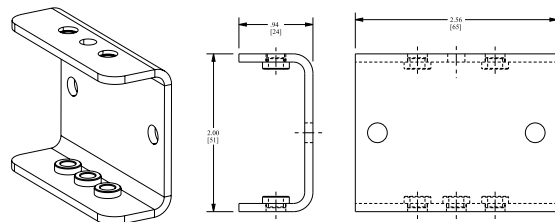
Provided with UL Recognized sealing washer to maintain Environmental Rating of the enclosure.



## DEAD FRONT EXTENSION BRACKETS FOR WALL MOUNT ENCLOSURES

Catalog No.	Description	Product Code
<a href="#">SCE-115259</a>	For use with Wall mount Enclosures with SCE concealed hinges	P2

Designed to increase the distance from the door to the dead front. Brackets can be used when additional space is required when mounting parts to the dead front. Five brackets provided per kit.



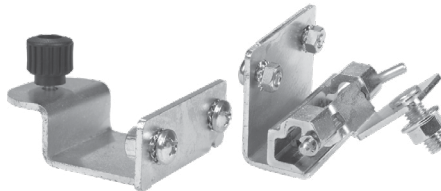
# MOUNTING PANELS

## SWING OUT PANEL KITS FOR TYPE 4 & 12 ENCLOSURES

Designed to allow a standard sub-panel to be installed in the front of an enclosure and to swing out of the enclosure. Kits consist of heavy gauge brackets and hinges. Installed by drilling small hole in the side of the enclosure and bolting the bracket in place. Sealing washers are provided to insure that the enclosure will meet original standards after installation. For use in any Type 4 & 12 LP style wall mount enclosure where A x B dimensions are 12" x 12" or larger.

Provided with UL Recognized sealing washer to maintain Environmental Rating of the enclosure.

Catalog No.	Description	Product Code
<a href="#">SCE-NADFK</a>	Swing Panel Kit (used with panels 30 inches and under)	P2
<a href="#">SCE-NADFK-3</a>	Swing Panel Kit (used with panels over 30 inches)	P2
<a href="#">SCE-NADFKSS</a>	Swing Panel Kit - Stainless Steel	P2

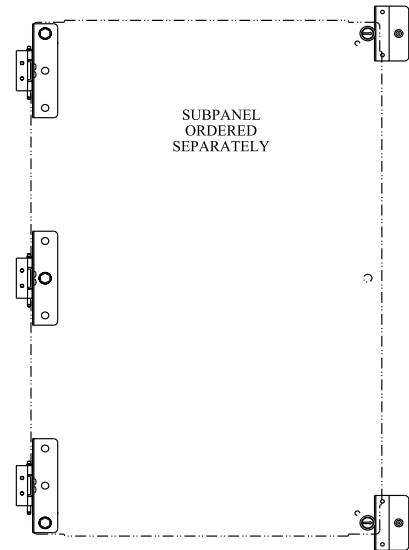


## SWING OUT PANEL KITS FOR ENVIROLINE®, WALL-MOUNT, 3R HINGED ENCLOSURES

Designed to allow a standard sub-panel to be installed in the front of an enclosure and to swing out of the enclosure. Kit consists of heavy gauge brackets, hinges, and mounting hardware. Installed by detaching door hinge from enclosure and installing swing out panel kit to the existing holes and hinge supplied with the enclosure. Made of steel and zinc plated.

Provided with UL Recognized sealing washer to maintain Environmental Rating of the enclosure.

Catalog No.	Enclosure Height	Product Code
<a href="#">SCE-ELSP</a>	12 to 16	P2
<a href="#">SCE-ELSP3</a>	20 to 60	P2



## SWING OUT PANEL KITS FOR POLYCARBONATE ENCLOSURES

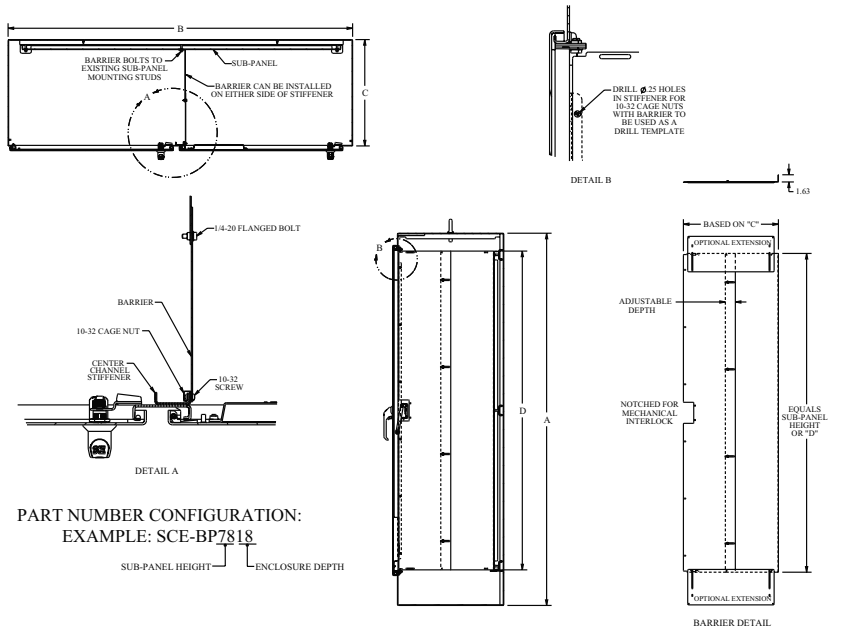
Designed to allow a standard sub-panel to be installed in the front of an enclosure and to swing out of the enclosure. Kits consist of polycarbonate hinged mounting brackets. Installed on internal enclosure channels and adjustable to depth of enclosure.

Catalog No.	Qty Per Kit	Product Code
<a href="#">SCE-PCSP</a>	4	F1



# MOUNTING PANELS

Catalog No.	Height (A)	Width (B)	Use with Subpanel Height	Use with Enclosure Depth	Product Code
<a href="#">SCE-BP5612</a>	55.94	10.44	56	12	P2
<a href="#">SCE-BP5618</a>	55.94	16.44	56	18	P2
<a href="#">SCE-BP5624</a>	55.94	22.44	56	24	P2
<a href="#">SCE-BP6018</a>	59.94	16.44	60	18	P2
<a href="#">SCE-BP6024</a>	59.94	22.44	60	24	P2
<a href="#">SCE-BP6812</a>	67.94	10.44	68	12	P2
<a href="#">SCE-BP6818</a>	67.94	16.44	68	18	P2
<a href="#">SCE-BP6824</a>	67.94	22.44	68	24	P2
<a href="#">SCE-BP7218</a>	71.94	16.44	72	18	P2
<a href="#">SCE-BP7224</a>	71.94	22.44	72	24	P2
<a href="#">SCE-BP7818</a>	77.94	16.44	78	18	P2
<a href="#">SCE-BP7824</a>	77.94	22.44	78	24	P2



## BARRIER PLATES

Designed to be installed on the back panel of enclosures to provide protection against Arc Flash, the height of the sub-plate, and allowing separation of the high voltage and low voltage within the enclosure. Made of heavy gauge carbon steel and powder coated white. Mounting hardware included.

## BARRIER EXTENSION FOR BARRIER PLATES

Catalog No.	For Use With	Product Code
<a href="#">SCE-BPEX18</a>	18 Inch Wide Barrier Plates	P2
<a href="#">SCE-BPEX24</a>	24 Inch Wide Barrier Plates	P2

Designed to be used with the Barrier Plates to extend the barrier, closing up the space between barrier plate and top or bottom of enclosure. Made of heavy gauge carbon steel and powder coated white.