

MOUNTING OPTIONS

EL FLUSH MOUNT FRAME

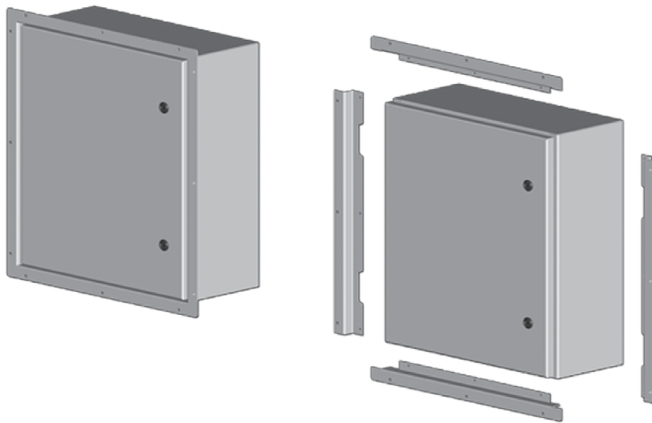
Flush Mount Frames are designed for use with the Enviroline® Series Wall-Mount Enclosures, quickly converting the wall-mount enclosure to a flush mount enclosure.

Two part numbers are required to complete the assembly: one part number for the height of the enclosure and one part number for the width of the enclosure.

All kits are provided with hardware to assemble the frame to the enclosure and maintain the environmental rating of the enclosure. For technical information, consult our Installation Manual at www.saginawcontrol.com.

Frame is made of heavy gauge steel and finished with ANSI-61 gray powder coat.

“SS” parts are made of heavy gauge Type 316/316L stainless steel with #4 brushed finish.



Catalog No.	Enclosure Height	Enclosure Width	Product Code
SCE-ELFM12H	12.00		P2
SCE-ELFM16H	16.00		P2
SCE-ELFM20H	20.00		P2
SCE-ELFM24H	24.00		P2
SCE-ELFM30H	30.00		P2
SCE-ELFM36H	36.00		P2
SCE-ELFM12HSS	12.00		P2
SCE-ELFM16HSS	16.00		P2
SCE-ELFM20HSS	20.00		P2
SCE-ELFM24HSS	24.00		P2
SCE-ELFM30HSS	30.00		P2
SCE-ELFM36HSS	36.00		P2
SCE-ELFM12W		12.00	P2
SCE-ELFM16W		16.00	P2
SCE-ELFM20W		20.00	P2
SCE-ELFM24W		24.00	P2
SCE-ELFM30W		30.00	P2
SCE-ELFM36W		36.00	P2
SCE-ELFM12WSS		12.00	P2
SCE-ELFM16WSS		16.00	P2
SCE-ELFM20WSS		20.00	P2
SCE-ELFM24WSS		24.00	P2
SCE-ELFM30WSS		30.00	P2
SCE-ELFM36WSS		36.00	P2

WALL MOUNT STANDOFFS

Wall mount standoffs are intended to provide space between a wall-mount enclosure and the wall for better wash down accessibility that is required in some applications. Provided with silicone seals to maintain seal between the standoff and the mounting surfaces. Maintains Type 4X rating. Four standoffs and eight silicone seals per kit.



Catalog No.	Length	Product Code
SCE-WMS1SS	1.00	P2
SCE-WMS2SS	2.00	P2
SCE-WMS3SS	3.00	P2
SCE-WMS4SS	4.00	P2

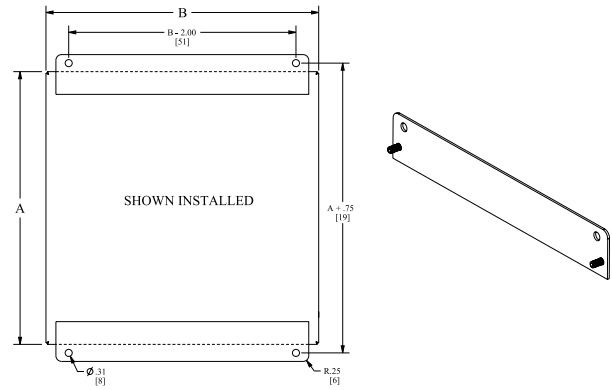
MOUNTING OPTIONS

TYPE I MOUNTING STRAPS

Catalog No.	For Use With	Product Code
SCE-NMST6	6 Inch Wide NEMA 1 Enclosure	P2
SCE-NMST8	8 Inch Wide NEMA 1 Enclosure	P2
SCE-NMST10	10 Inch Wide NEMA 1 Enclosure	P2
SCE-NMST12	12 Inch Wide NEMA 1 Enclosure	P2
SCE-NMST16	16 Inch Wide NEMA 1 Enclosure	P2
SCE-NMST20	20 Inch Wide NEMA 1 Enclosure	P2
SCE-NMST24	24 Inch Wide NEMA 1 Enclosure	P2

Designed to install on wall-mount Type 1 enclosures. Two mounting straps per kit. Made of heavy gauge carbon steel, powder coated ANSI-61 gray. Hardware is included to fasten mounting strap kit to the enclosure. For installation information, consult our Installation Manual at www.saginawcontrol.com.

Provided with UL Recognized sealing washer to maintain Environmental Rating of the enclosure.

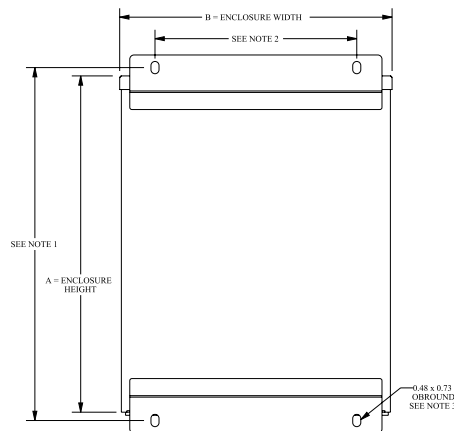


Catalog No.	For Use With	Product Code
SCE-MST4	4 Inch Wide 3R Enclosure	P2
SCE-MST6	6 Inch Wide 3R Enclosure	P2
SCE-MST8	8 Inch Wide 3R Enclosure	P2
SCE-MST10	10 Inch Wide 3R Enclosure	P2
SCE-MST12	12 Inch Wide 3R Enclosure	P2
SCE-MST16	16 Inch Wide 3R Enclosure	P2
SCE-MST20	20 Inch Wide 3R Enclosure	P2
SCE-MST24	24 Inch Wide 3R Enclosure	P2

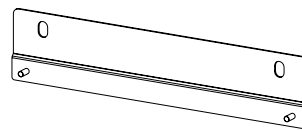
TYPE 3R MOUNTING STRAPS

Designed to install on wall-mount Type 3R enclosures. Two mounting straps per kit. Made of heavy gauge carbon steel, powder coated ANSI-61 gray. Hardware is included to fasten mounting strap kit to the enclosure. For installation information, consult our Installation Manual at www.saginawcontrol.com.

Provided with UL Recognized sealing washer to maintain Environmental Rating of the enclosure.



- NOTES:
1. A + 1.00 FOR HINGED COVER ENCLOSURES
A + 1.43 FOR SCREW COVER ENCLOSURES
 2. B - 4.00 FOR ENCLOSURES ≥ 12" WIDE
B - 2.00 FOR ENCLOSURES < 12" WIDE
 3. 0.28 x 0.50 FOR ENCLOSURES < 12" WIDE



MOUNTING STRAPS FOR VENTED 3R ENCLOSURES

Catalog No.	For Use With	Product Code
SCE-VRMS24	24 Inch Wide Vented 3R Enclosure	P2
SCE-VRMS36	36 Inch Wide Vented 3R Enclosure	P2

Designed to install on wall-mount Vented 3R enclosures. Two mounting straps per kit. Made of heavy gauge carbon steel, powder coated white. Hardware is included to fasten mounting strap kit to the enclosure.

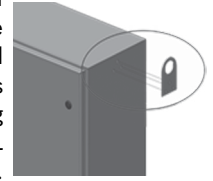
Provided with UL Recognized sealing washer to maintain Environmental Rating of the enclosure.

MOUNTING OPTIONS

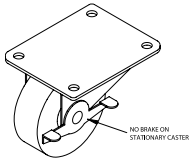
LIFTING LUGS

Catalog No.	Description	Qty Per Kit	Product Code
SCE-LLB5	Steel, Zinc Plated	2	P2
SCE-LLB5SS	316 Stainless Steel, #4 Brush Finish	2	P2
SCE-LLB7	For Use with Vented 3R Enclosures Steel, Powder Coated White	2	P2
Bulk Parts			
SCE-LLB5-25	Steel Zinc Plated	25 sets of 2	V1

Lifting lugs are designed to be mounted to the left and right side of a standard wall-mount type enclosure for easy handling of fully wired enclosures. Mounting hardware is included. UL Recognized sealing washers supplied to maintain UL ratings of Type 3R, 4, 4X and 12.



CASTERS



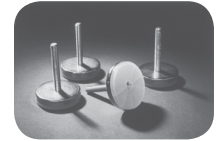
Set of 4 casters. Swivel casters have ball bearing pivots and brakes. Load rating 250 lbs for each caster. For technical information, consult our Installation Manual at www.saginawcontrol.com.

Catalog No.	Description	Size of Wheel	Product Code
SCE-CAKR	Set of 4 - 2 Rigid, 2 Swivel	3"	P2
SCE-CAKS	Set of 4 Swivel Casters	3"	P2
SCE-CAKR4	Set of 4 - 2 Rigid, 2 Swivel	4"	P2
SCE-CAKS4	Set of 4 Swivel Casters	4"	P2

LEVELING PADS

Catalog No.	Qty Per Kit	Thread Size	Height	Product Code
SCE-LPD2	4	3/8 - 16	2.00	P2

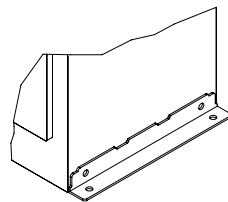
Designed to attach to the bottom of the enclosure to allow for adjustments for uneven floors. Pads are zinc plated with a plastic base.



ANGLE IRON MOUNTING FEET

Designed for use with free-standing type enclosures when the enclosure must be secured to a concrete floor or base. Two angle iron-mounting feet per kit. Made of heavy gauge carbon steel powder coated ANSI-61 gray. Hardware is included to fasten mounting foot kit to the enclosure.

Provided with UL Recognized sealing washer to maintain Environmental Rating of the enclosure.

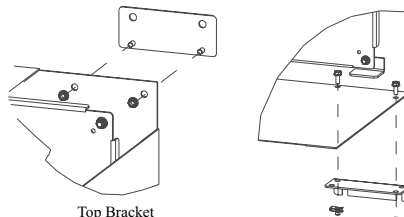


Catalog No.	Used on Enclosure Depth	Product Code
SCE-XMAIMF16	16"	P2
SCE-XMAIMF18	18"	P2
SCE-XMAIMF20	20"	P2
SCE-XMAIMF24	24"	P2

Catalog No.	Description	Qty Per Kit	Product Code
SCE-HDWMK	Mounting Kit for use with Multi-Door Free-Standing / Wall-Mount Enclosures	4	P2
SCE-HDWMKSS	Mounting Kit for use with Multi-Door Free-Standing / Wall-Mount Enclosures	4	P2

HEAVY DUTY MOUNTING KIT FOR FREE-STANDING/WALL-MOUNT ENCLOSURES

Designed for use on SCE Multi-Door Free-Standing/Wall-Mount enclosures. Four mounting feet per kit, made of heavy gauge stainless steel with a black textured finish. Hardware is included to fasten mounting kit to the enclosure.



MOUNTING OPTIONS

MOUNTING FOOT KIT

Made for use with all SCE Envirolite® Series enclosures and two-door wall-mount enclosures. Chemical and Corrosion resistant Polyamide material for use in type 3, 3R, 4, 4X and 12 enclosures.

Catalog No.	Fasteners	Qty Per Kit	NEMA Rating	Product Code
SCE-ELMFK4	Stainless Steel	4	4 & 12	P2
SCE-ELMFK6	Stainless Steel	6	4 & 12	P2
Bulk Parts				
SCE-ELMFK4-25	Stainless Steel	25 sets of 4	4 & 12	V1



Catalog No.	Fasteners	Qty Per Kit	NEMA Rating	Product Code
SCE-ELMFK4SS6-OS	Stainless Steel Type 316	4	4, 4X & 12	P2

S.S. MOUNTING FOOT KIT

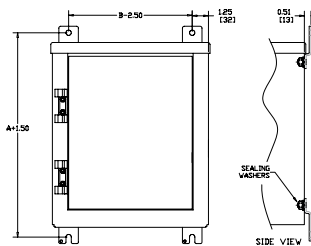
Made for use with all SCE Envirolite® Series enclosures and two-door wall-mount enclosures. Made of heavy gauge stainless steel type 316/316L with stainless steel stud. Available in kits of four.

TYPE 3R MOUNTING FOOT KIT

Designed for use on large wall-mount type 3R enclosures. Four mounting feet per kit, made of heavy gauge carbon steel and powder coated ANSI-61 gray. Hardware is included to fasten mounting foot kit to the enclosure.

Provided with UL Recognized sealing washer to maintain Environmental Rating of the enclosure.

Catalog No.	Height (A)	Width (B)	Depth (C)	Product Code
SCE-N3RMFK4	3.25	2.00	0.51	P2



ENVIROLITE® JUNCTION ENCLOSURE (ELJ MOUNTING) FOOT KIT

Made for use with all SCE Envirolite® Series junction enclosures. Chemical and Corrosion resistant Polyamide material rated for type 3, 3R, 4, 4X and 12 with stainless steel fasteners. Four mounting feet per kit. Hardware is included to fasten mounting foot kit to the enclosure.

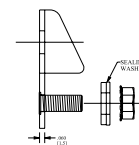
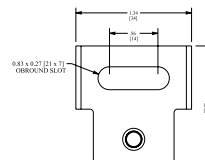
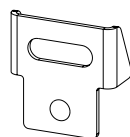
Catalog No.	Height (A)	Width (B)	Qty Per Kit	Product Code
SCE-ELJMFK	2.13	1.25	4	P2



S.S. ENVIROLITE® JUNCTION ENCLOSURE (ELJ MOUNTING) FOOT KIT

Made for use with all SCE Envirolite® Series junction enclosures. Four mounting feet per kit, made from type 304 stainless steel. Hardware is included to fasten the mounting foot kit to the enclosure.

Catalog No.	Height (A)	Width (B)	Qty Per Kit	Product Code
SCE-ELJMFKSS-OS	2.13	1.25	4	P2



MOUNTING OPTIONS

FLOOR STAND KIT

Can be installed on most wall-mounted enclosures with a width of 20 inches or more. Can also be installed on SCE free-standing enclosures. Kits include two stands. This configuration can be ordered in special sizes. Consult a factory representative for price and delivery. For specifications, consult our Installation Manual at www.saginawcontrol.com.

Made of carbon steel and finished with ANSI-61 recoatable gray finish. "LG" parts finished RAL 7035 Gray.

Catalog No.	Height (A)	Width (B)	Finish	Product Code
SCE-FK0418	4.00	18.00	ANSI-61 Gray	P2
SCE-FK0608	6.00	8.00	ANSI-61 Gray	P2
SCE-FK0610	6.00	10.00	ANSI-61 Gray	P2
SCE-FK0612	6.00	12.00	ANSI-61 Gray	P2
SCE-FK0614	6.00	14.00	ANSI-61 Gray	P2
SCE-FK0616	6.00	16.00	ANSI-61 Gray	P2
SCE-FK0618	6.00	18.00	ANSI-61 Gray	P2
SCE-FK0620	6.00	20.00	ANSI-61 Gray	P2
SCE-FK0624	6.00	24.00	ANSI-61 Gray	P2
SCE-FK0636	6.00	36.00	ANSI-61 Gray	P2
SCE-FK1208	12.00	8.00	ANSI-61 Gray	P2
SCE-FK1210	12.00	10.00	ANSI-61 Gray	P2
SCE-FK1212	12.00	12.00	ANSI-61 Gray	P2
SCE-FK1214	12.00	14.00	ANSI-61 Gray	P2
SCE-FK1216	12.00	16.00	ANSI-61 Gray	P2
SCE-FK1218	12.00	18.00	ANSI-61 Gray	P2
SCE-FK1220	12.00	20.00	ANSI-61 Gray	P2
SCE-FK1224	12.00	24.00	ANSI-61 Gray	P2
SCE-FK1512	15.00	12.00	ANSI-61 Gray	P2
SCE-FK1516	15.00	16.00	ANSI-61 Gray	P2
SCE-FK1518	15.00	18.00	ANSI-61 Gray	P2
SCE-FK1524	15.00	24.00	ANSI-61 Gray	P2
SCE-FK1808	18.00	8.00	ANSI-61 Gray	P2
SCE-FK1810	18.00	10.00	ANSI-61 Gray	P2
SCE-FK1812	18.00	12.00	ANSI-61 Gray	P2
SCE-FK1816	18.00	16.00	ANSI-61 Gray	P2
SCE-FK1818	18.00	18.00	ANSI-61 Gray	P2
SCE-FK1824	18.00	24.00	ANSI-61 Gray	P2
SCE-FK2408	24.00	8.00	ANSI-61 Gray	P2
SCE-FK2410	24.00	10.00	ANSI-61 Gray	P2
SCE-FK2412	24.00	12.00	ANSI-61 Gray	P2
SCE-FK2416	24.00	16.00	ANSI-61 Gray	P2
SCE-FK0418LG	4.00	18.00	RAL 7035 Gray	P2
SCE-FK0608LG	6.00	8.00	RAL 7035 Gray	P2
SCE-FK0610LG	6.00	10.00	RAL 7035 Gray	P2
SCE-FK0612LG	6.00	12.00	RAL 7035 Gray	P2
SCE-FK0618LG	6.00	18.00	RAL 7035 Gray	P2
SCE-FK0624LG	6.00	24.00	RAL 7035 Gray	P2
SCE-FK1208LG	12.00	8.00	RAL 7035 Gray	P2
SCE-FK1210LG	12.00	10.00	RAL 7035 Gray	P2
SCE-FK1212LG	12.00	12.00	RAL 7035 Gray	P2
SCE-FK1216LG	12.00	16.00	RAL 7035 Gray	P2
SCE-FK1218LG	12.00	18.00	RAL 7035 Gray	P2
SCE-FK1220LG	12.00	20.00	RAL 7035 Gray	P2
SCE-FK1224LG	12.00	24.00	RAL 7035 Gray	P2
SCE-FK1512LG	15.00	12.00	RAL 7035 Gray	P2
SCE-FK1516LG	15.00	16.00	RAL 7035 Gray	P2
SCE-FK1518LG	15.00	18.00	RAL 7035 Gray	P2
SCE-FK1524LG	15.00	24.00	RAL 7035 Gray	P2
SCE-FK1808LG	18.00	8.00	RAL 7035 Gray	P2
SCE-FK1810LG	18.00	10.00	RAL 7035 Gray	P2
SCE-FK1812LG	18.00	12.00	RAL 7035 Gray	P2
SCE-FK1816LG	18.00	16.00	RAL 7035 Gray	P2
SCE-FK1824LG	18.00	24.00	RAL 7035 Gray	P2
SCE-FK2412LG	24.00	12.00	RAL 7035 Gray	P2
SCE-FK1214-05	12.00	14.00	SCE-05 White	P2
SCE-FK1216-05	12.00	16.00	SCE-05 White	P2