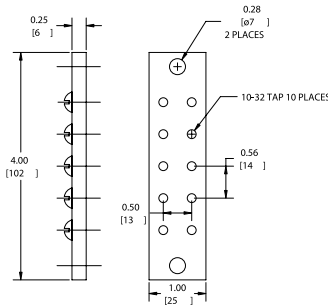
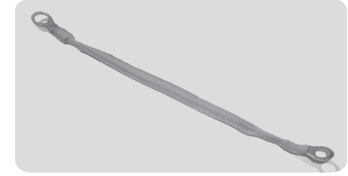


GENERAL ACCESSORIES

GROUNDING STRAPS

Catalog No.	Approx Wire Size (AWG)	Length Between Ring Terminals (CTOC)	Ring Terminal Hole Size	Product Code
SCE-GS808	#8	8.00	0.330	P2

Grounding straps can be used to provide electrical continuity between metal parts which must be electrically connected. Consists of braided copper with a ring terminal at both ends. Braid is insulated with green and yellow striped plastic.



GROUNDING BARS

Catalog No.	Height (A)	Width (B)	Depth (C)	Product Code
SCE-GB10	1.00	4.00	0.25	P2

Designed to provide a grounding area for controls and equipment. Has ten 10-32 tapped conductor holes and two mounting holes. Made of copper.

DOOR STOP KIT

Catalog No.	Finish	Product Code
SCE-DSTOPK	Zink Plated	P2

For use on most SCE Type 4, 4X and 12 enclosures to lock door in the open position. Door opening must be at least 12 inches and must open horizontally. Designed to be installed at the bottom of the door opening. For installation information, consult our Installation Manual at www.saginawcontrol.com.

Provided with UL Recognized sealing washer to maintain Environmental Rating of the enclosure.



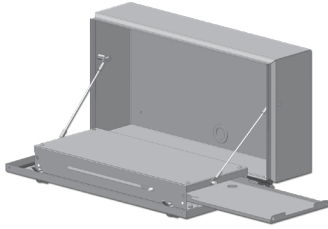
CABLE DOOR STOP

Catalog No.	Length	Product Code
SCE-CBL15	15.00	P2
SCE-CBL20	20.00	P2

Cable door stops designed for use with Consolet Enclosures to limit door travel on upward or downward traveling doors.

GENERAL ACCESSORIES

KEYBOARD KIT



Catalog No.	Height (A)	Width (B)	Depth (C)	Product Code
SCE-24KB	12.25	24.00	6.00	P2

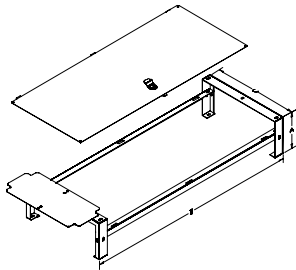
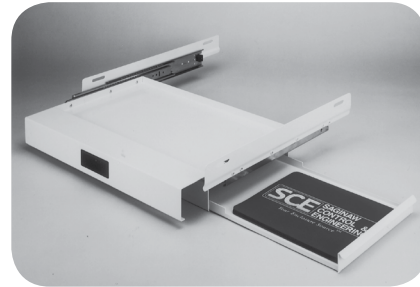
Designed to house a keyboard input. Mounted on the outside of an enclosure. Enviroline® type construction with ELJ hinge and mini quarter turn lever knobs. Mouse drawer. Made of heavy gauge steel and powder coated ANSI-61 gray. For installation information, consult our Installation Manual at www.saginawcontrol.com.

Provided with UL Recognized sealing washer to maintain Environmental Rating of the enclosure.

PULLOUT KEYBOARD DRAWER

Catalog No.	Height (A)	Width (B)	Depth (C)	Enclosure Depth	Product Code
SCE-KBS	3.00	20.00	14.00	24.25	P2
SCE-KBS32	3.00	20.00	14.00	32.25	P2

Designed to hold a keyboard and mouse on a separate pullout shelf. Mounts between mounting channels. Made of heavy gauge steel with a white powder coat finish. A mouse pad is included.



REMOVABLE WIRE COVER

Catalog No.	Height (A)	Width (B)	Depth (C)	Enclosure Depth	Product Code
SCE-14RMW	6.00	35.00	14.00	18.00	P2
SCE-20RMW	6.00	35.00	20.00	24.00	P2

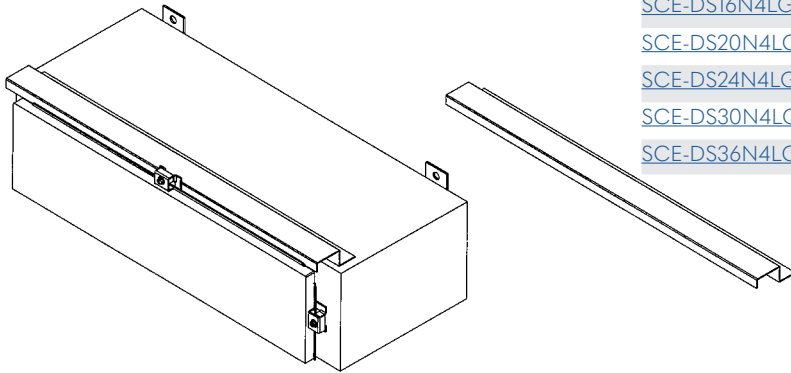
Designed to provide a “false” bottom in an enclosure with a bottom flange larger than 7 inches. Cover is bolted to a frame made of heavy gauge steel. Opens with a finger pull latch. A plate is provided to connect wire covers for a continuous bottom. Made of steel and powder coated white. For installation information, consult our Installation Manual at www.saginawcontrol.com.

GENERAL ACCESSORIES

DRIP SHIELD KIT FOR TYPE I2 & 4 ENCLOSURES

Protects door against dripping water and settling dust. Stainless steel screws and sealing washers are supplied with each kit. Made of steel and powder coated.

Provided with UL Recognized sealing washer to maintain Environmental Rating of the enclosure.



Catalog No.	Fits Enclosure Width (B)	Finish	Product Code
SCE-DS12N4	12.00	ANSI-61 Gray	P2
SCE-DS16N4	16.00	ANSI-61 Gray	P2
SCE-DS20N4	20.00	ANSI-61 Gray	P2
SCE-DS24N4	24.00	ANSI-61 Gray	P2
SCE-DS30N4	30.00	ANSI-61 Gray	P2
SCE-DS36N4	36.00	ANSI-61 Gray	P2
SCE-DS42N4	42.00	ANSI-61 Gray	P2
SCE-DS48N4	48.00	ANSI-61 Gray	P2
SCE-DS60N4	60.00	ANSI-61 Gray	P2
SCE-DS72N4	72.00	ANSI-61 Gray	P2
SCE-DS12N4LG	12.00	RAL 7035 Gray	P2
SCE-DS16N4LG	16.00	RAL 7035 Gray	P2
SCE-DS20N4LG	20.00	RAL 7035 Gray	P2
SCE-DS24N4LG	24.00	RAL 7035 Gray	P2
SCE-DS30N4LG	30.00	RAL 7035 Gray	P2
SCE-DS36N4LG	36.00	RAL 7035 Gray	P2

STAINLESS STEEL DRIP SHIELD KIT FOR TYPE 4X ENCLOSURES

Protects door against dripping water and settling dust. Furnished with stainless steel screws and sealing washers. Kit made of stainless steel Type 304.

Provided with UL Recognized sealing washer to maintain Environmental Rating of the enclosure.

Catalog No.	Fits Enclosure Width (B)	Product Code
304 Stainless Steel		
SCE-DS12SS	12.00	P2
SCE-DS16SS	16.00	P2
SCE-DS20SS	20.00	P2
SCE-DS24SS	24.00	P2
SCE-DS30SS	30.00	P2
SCE-DS36SS	36.00	P2
SCE-DS42SS	42.00	P2
SCE-DS48SS	48.00	P2
SCE-DS60SS	60.00	P2
SCE-DS72SS	72.00	P2
316 Stainless Steel		
SCE-DS12SS6	12.00	P2
SCE-DS16SS6	16.00	P2
SCE-DS20SS6	20.00	P2
SCE-DS24SS6	24.00	P2
SCE-DS30SS6	30.00	P2
SCE-DS36SS6	36.00	P2
SCE-DS42SS6	42.00	P2
SCE-DS48SS6	48.00	P2
SCE-DS60SS6	60.00	P2
SCE-DS72SS6	72.00	P2

GENERAL ACCESSORIES

Catalog No.	Height	Width	Finish	Product Code
SCE-FS1212	12.00	12.00	SCE-05 White	P2
SCE-FS1212LG	12.00	12.00	RAL 7035 Gray	P2
SCE-FS1218	12.00	18.00	SCE-05 White	P2
SCE-FS1818	18.00	18.00	SCE-05 White	P2
SCE-FS2424	24.00	24.00	SCE-05 White	P2
SCE-FS1212-09	12.00	12.00	ANSI-61 Gray	P2
SCE-FS1818-09	18.00	18.00	ANSI-61 Gray	P2
SCE-FS2424-09	24.00	24.00	ANSI-61 Gray	P2
Stainless Steel				
SCE-FS1212SS	12.00	12.00	#4 Brushed Finish	P2
SCE-FS1818SS	18.00	18.00	#4 Brushed Finish	P2
SCE-FS2424SS	24.00	24.00	#4 Brushed Finish	P2

FOLDING SHELF

Folding shelves can be installed on the inside or outside of large enclosures. They are designed to support test equipment and programmers. Locks in the horizontal position. When not in use, shelf can be folded down. Made of heavy gauge steel and powder coated. "SS" parts are stainless steel Type 304 with #4 brush finish. For installation information, consult our Installation Manual at www.saginawcontrol.com.



Provided with UL Recognized sealing washer to maintain Environmental Rating of the enclosure.

ACCESSORY COLUMNS AND BASES

Catalog No.	Description	Depth	Width	Product Code
SCE-18SBASE	Pedestal Base	18.00	18.00	P2
SCE-24SBASE	Pedestal Base	24.00	24.00	P2
SCE-44CCOL	Straight Column	4.00	4.00	P2
SCE-44PBCOL	Angled Column	4.00	4.00	P2
SCE-66CCOL	Straight Column	6.00	6.00	P2
SCE-66PBCOL	Angled Column	6.00	6.00	P2

Stainless Steel				
SCE-18SBASESS	Pedestal Base, Stainless Steel	18.00	18.00	P2
SCE-24SBASESS	Pedestal Base, Stainless Steel	24.00	24.00	P2
SCE-44CCOLSS	Straight Column, Stainless Steel	4.00	4.00	P2
SCE-44PBCOLSS	Angled Column, Stainless Steel	4.00	4.00	P2
SCE-66CCOLSS	Straight Column, Stainless Steel	6.00	6.00	P2
SCE-66PBCOLSS	Angled Column, Stainless Steel	6.00	6.00	P2

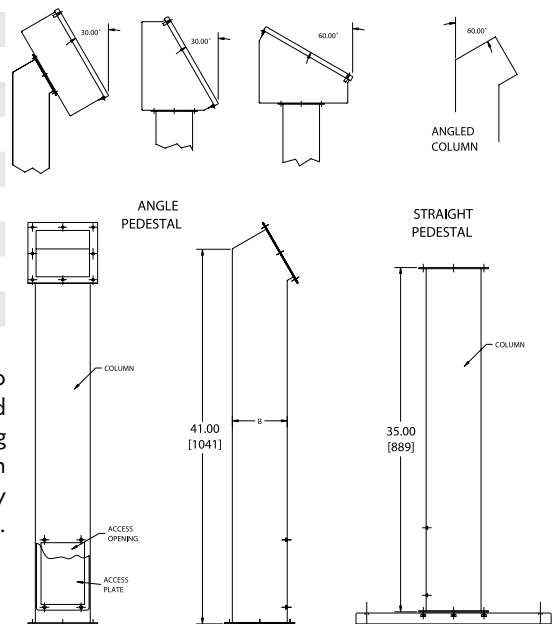
Designed to allow enclosures to be floor mounted. Columns can be mounted to either size base. Columns have flanges at each end and a gasketed access plate. Bases are to be bolted to the floor. Gasket and mounting hardware included. For technical information, consult the Installation Manual at www.saginawcontrol.com. Pedestals and bases are ANSI-61 gray powder coated. "SS" parts are stainless steel Type 304 with #4 brush finish.

SCE-SA451A



SCE-SATFS

SCE-44CCOL



GENERAL ACCESSORIES

Application

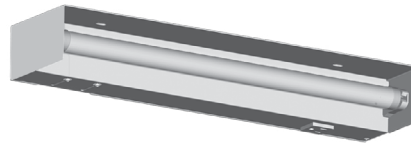
LED light fixture is designed to provide interior lighting for an enclosure. Can be mounted to light channels in the top of an enclosure or on the front flange of most enclosures.

Construction

- Door activated adjustable switch, switch can be removed and relocated.
- Terminal block on each end of fixture, making it easy to wire and daisy chain multiple lights continuously.
- LED bulb with PVC frosted white protective light diffuser included.
- Housing made from steel and powder coated white.
- Units with convenience receptacle outlet are 120 VAC with ground 50/60 Hz. Without convenience receptacle outlet 100 to 240 VAC 50/60 Hz.
- 4000K Frosted White
- 18 inch 750 Lumens
- 24 inch 900 Lumens
- 18 inch 24VDC 500 Lumens

LED LIGHT FIXTURE

Catalog No.		Height (A)	Width (B)	Depth (C)	AMP	VAC	Hz	Product Code
SCE-LF18		2.75	18.18	4.00	0.105	100-125	50/60	P2
SCE-LF24		2.75	24.18	4.00	0.105	100-125	50/60	P2
SCE-LF18NO	(No Outlet)	2.75	18.18	4.00	0.105	100-240	50/60	P2
SCE-LF24NO	(No Outlet)	2.75	24.18	4.00	0.105	100-240	50/60	P2
SCE-LF1824VDC	(No Outlet)	2.75	18.18	4.00	0.3	24VDC	-----	P2



IS24 Industry Standards

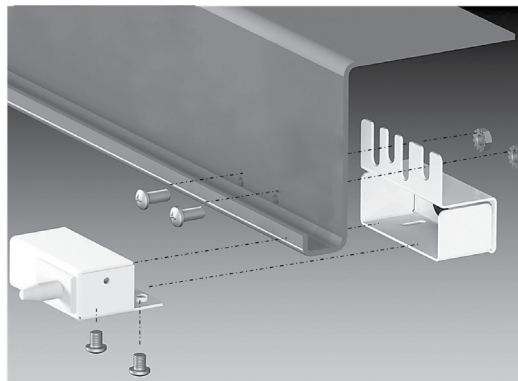
UL Component Recognized
Replacement Bulb see page 442

LIGHT SWITCH MOUNTING BRACKET

Designed to remote mount the door activated light switch when space is limited. Light Switch Mounting Bracket may be used with SCE-LF18, SCE-LF18NO, SCE-LF24 & SCE-LF24NO. For installation information, consult our Installation Manual at www.saginawcontrol.com.

IS24 - Industry Standards -
UL Component Recognized

Catalog No.	Height (A)	Width (B)	Depth (C)	Product Code
SCE-LSMB	2.00	2.68	1.00	P2



FULL LIGHT SWITCH ASSEMBLY

Designed to remote mount the light switch when space is limited.

Catalog No.	Product Code
SCE-LSA	P2



GENERAL ACCESSORIES

LED STRIP LIGHT

Catalog No.	Description	Height (A)	Width (B)	Depth (C)	Volt AC/DC	Hz	Product Code
SCE-SLMS	w/ Motion Sensor	13.80	1.38	1.25	24-265	50/60	P2
SCE-SLOF	w/ On/Off Switch	13.80	1.38	1.25	24-265	50/60	P2



Application
LED Strip Lights have a compact design to provide interior lighting for smaller enclosures.

- Construction**
- Magnets provided for quick installation to any surface inside the enclosure, also provided with clips that can be mechanically fastened.
 - Wire connector for direct power supply wiring.
 - Feed in / Feed out Push Fit Connector on each end of fixture.
 - Daisy chain multiple lights continuously up to 16 lights AC or 8 lights DC.
 - Combined AC and DV voltage range in one light 24 VDC to 265 VAC 50/60 Hz.
 - ON/OFF switch or motion sensor available.
 - 6500K Cool White
 - 400 Lumens

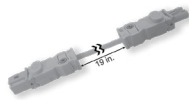
IS24 Industry Standards

UL Component Recognized

Catalog No.	Description	Length	Product Code
SCE-SLCC	LED Strip Light Connection Cord	118 inch	P2
SCE-SLDCC	LED Strip Light Daisy Chain Cord	19 inch	P2



SCE-SLCC



SCE-SLDCC

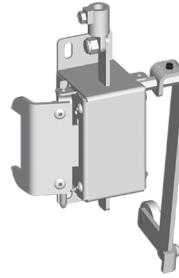
GENERAL ACCESSORIES

MECHANICAL INTERLOCK

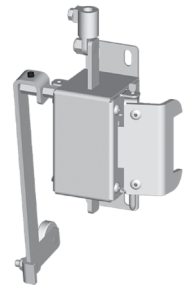
Catalog No.	Description	Qty Per Kit	Product Code
SCE-104941	Interlock for Left Door as Main	1	P2
SCE-105604	Interlock for Right Door as Main	1	P2

Designed for use with Enviroline® two-door enclosures to interlock the master door to the slave door.

*For use on enclosures greater than 30" in height with a center channel.



SCE-104941



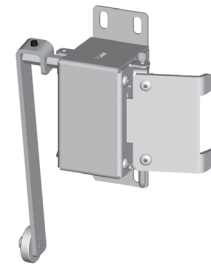
SCE-105604

MECHANICAL INTERLOCK

Catalog No.	Qty Per Kit	Product Code
SCE-103758	1	P2

Designed for use with two-door enclosures with SCE concealed hinges and with both doors hinged on the left to interlock the master door to the slave door.

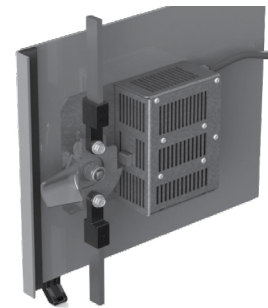
*For use on enclosures greater than 30" in height with a center channel.



ELECTRICAL INTERLOCK

Catalog No.	AMPS	Hz	Volt	Product Code
SCE-E115I	0.2/0.1	50/60	115/230 AC	P2
SCE-E24I	0.06/0.05	50/60	24 DC	P2
SCE-E460I	0.6		400/480 AC	P2

Designed to provide a safety lockout on an enclosure when the circuits are energized. UL recognized. Works with SCE hardware. For installation information, consult our Installation Manual at www.saginawcontrol.com.



ELECTRICAL INTERLOCK DEFEATER

Catalog No.	AMPS	Hz	Volt	Product Code
SCE-EKDF	10	60	120	P2

Designed to provide a key operated momentary contact switch with the contacts normally closed. Turning the key disengages the circuit to the electrical interlock, allowing access to the enclosure. May be used with SCE-E1151 Electrical Interlock.

- 4 amp, 125 vac
- 4 amp, 25 vdc
- 2 amp, 250 vac

IS24 - Industry Standards -
UL Component Recognized

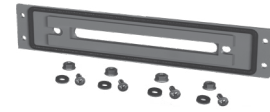


DISCONNECT ADAPTER KIT

Patent Pending 16/102,913

Catalog No.	Description	Product Code
SCE-UA400V	"U" Style to 400 Amp Style	P2
SCE-UAV	"U" Style to V Style	P2

Designed to convert a SCE - (U) style enclosure to a (V) style. Will accept the following: Allen-Bradley 1494V; Culter-Hammer C361/C371; General Electric Type TDA; ITE Max-Flex FHOH; Square D Class 9422. For Installation information consult our Installation Manual at www.saginawcontrol.com. Made of heavy gauge steel and powder coated ANSI-61 gray. Includes SCE-MDV Mechanical Defeater Kit



[SCE-UA400V](#)



[SCE-UAV](#)

BLANK DISCONNECT COVER PLATE

Catalog No.	Description	Product Code
SCE-ABDCP	Carbon Steel for Allen-Bradley F/D Cutout	P2
SCE-DCP	Carbon Steel for Standard SCE Cutout	P2
SCE-DCPSS	Stainless Steel for Standard SCE Cutout	P2

Designed to cover disconnect cutouts in the flange of the enclosure and has an oil-resistant gasket to seal against oil, dust, dirt, and water. Made of heavy gauge steel and powder coated ANSI-61 gray. Stainless plate is made of Type 304 stainless with #4 brushed finish.

GENERAL ACCESSORIES

OIL TIGHT HOLE SEALS

Catalog No.	Description	Diameter Inch	Diameter mm	Max. Hole Diameter Inch	Max. Hole Diameter mm	Qty Per Kit	Product Code
SCE-ASPB-09	Steel - ANSI-61 Gray	1.75	44	1.25	30	1	P2
SCE-ASPBG-09	Steel - ANSI-61 Gray	1.22	31	0.875	22	1	P2
SCE-ASPB-RAL7035	Steel - RAL 7035 Gray	1.75	44	1.25	30	1	P2
SCE-ASPBG-RAL7035	Steel - RAL 7035 Gray	1.22	31	0.875	22	1	P2
SCE-ASPB-05	Steel - SCE-05 White	1.75	44	1.25	30	1	P2
SCE-ASPBG-05	Steel - SCE-05 White	1.22	31	0.875	22	1	P2
SCE-ASPB-SS	Stainless Steel	1.75	44	1.25	30	1	P2
SCE-ASPBG-SS	Stainless Steel	1.22	31	0.875	22	1	P2

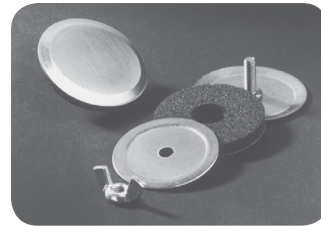
Bulk Parts - 25 Kits per Package

SCE-ASPB-09-25	Steel - ANSI-61 Gray	1.75	44	1.25	30	25	V1
SCE-ASPBG-09-25	Steel - ANSI-61 Gray	1.22	31	0.875	22	25	V1

Extra push button holes can be sealed against dust, dirt, oil, and water with a SCE hole seal. Seals will cover most pushbutton hole sizes. Hole seals come with oil-resistant gasket, #10-32 x 3/8" stud, zinc plated wing nut and plated steel back plate. Available in stainless steel or powder coated finish.

IS20 - Industry Standard

UL Recognized 3, 3R, 4, 4X & 12
IEC 60529 IP56



HOLE SEALS

Catalog No.	Outside Diameter	Min. Hole Size	Max. Hole Size	Product Code
SCE-HPSERIES1	1.00	0.50	0.81	P2
SCE-HPSERIES15	1.20	0.88	0.88	P2
SCE-HPSERIES2	1.50	1.00	1.28	P2
SCE-HPSERIES3	2.00	1.38	1.75	P2
SCE-HPSERIES4	2.75	2.00	2.56	P2
SCE-HPSERIES2-25	1.50	1.00	1.28	V1

Extra pushbutton holes can be sealed against dust, dirt, oil and water. Hole seals are made of corrosion and UV resistant fiberglass, and supplied with gasket and backing nut.

UL recognized 3R, 4, 4X, 12, 6P
IEC tested to IP66 and IP68



HOLE SEAL

Catalog No.	Height (A)	Width (B)	Depth (C)	For Hole Dimensin	Product Code
SCE-HS2S	3.00	3.00	0.19	2 inch Square	P2

Designed to seal 2 inch square opening against dust, dirt, oil, and water. Hole seals are made of corrosion and UV resistant Polycarbonate material, supplied with adhesive gasket backing for quick, simple installation.

IS20 - Industry Standard

UL Recognized 3, 3R, 4, 4X & 12
IEC 60529 IP56

