

# 304 STAINLESS STEEL ENVIROLINE® SERIES ENCLOSURES

## Application

Designed to house electrical and electronic controls, instruments and components in areas which may be regularly hosed down or are in very wet conditions. Provides a degree of protection from dust, dirt, oil, and water. For outdoor application a drip shield is recommended. For installation information, consult our Installation Manual at [www.saginawcontrol.com](http://www.saginawcontrol.com).

## Construction

- 0.075" stainless steel Type 304.
- Seams continuously welded and ground smooth.
- Flange trough collar around all sides of door opening.
- Pour in place oil and water resistant gasket.
- Collar studs provided for mounting optional sub-panels.
- Stainless steel concealed hinges.
- Removable and interchangeable doors.
- Black quarter turn latches.
- Latches are opened or closed with a screwdriver (optional tamper-resistant inserts are available).
- Mounting holes in back of enclosure.
- Mounting hardware, sealing washers and hole plugs included.
- Removable print pocket furnished if height and width of enclosure is greater than 12".
- Ground studs on door and body.

## Finish

#4 brushed finish on all exterior surfaces. Optional sub-panels powder coated white.

## Options

- Optional mounting feet available.
- Door hardware available.

## IS6 Industry Standards

NEMA Type 3R, 4, 4X, 12 & Type 13

UL Listed Type 3R, 4, 4X & 12

CSA Type 3R, 4, 4X & 12

IEC 60529 IP66

\*\*\*To maintain Type 3R listing, Drainage is required. Install equally rated drainage device or drill a 1/8 to 1/4 inch hole in the bottom center of the enclosure, approximately 1 inch from the right, and 1 inch from the left for drainage, use listed rain-tight or wet location hubs. Drip shield over the door is recommended for all outdoor applications.

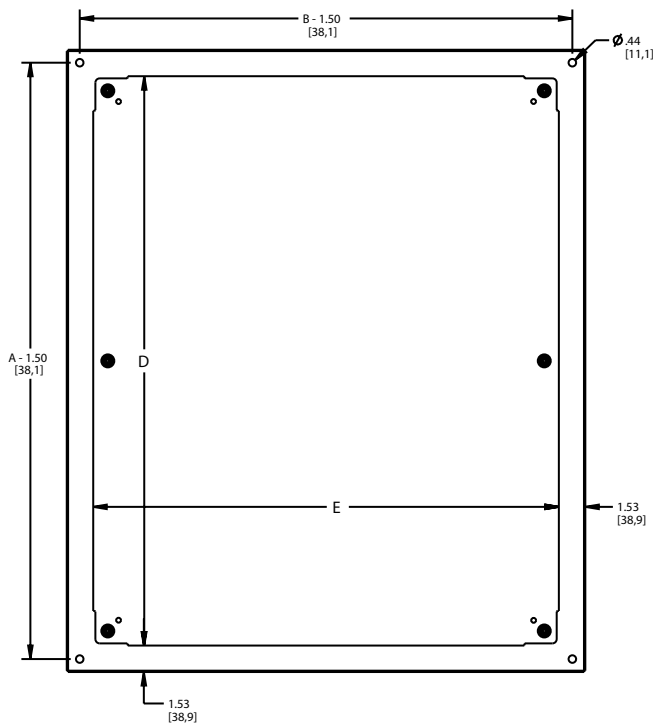
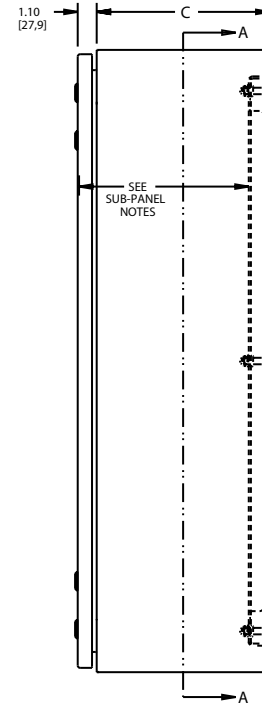
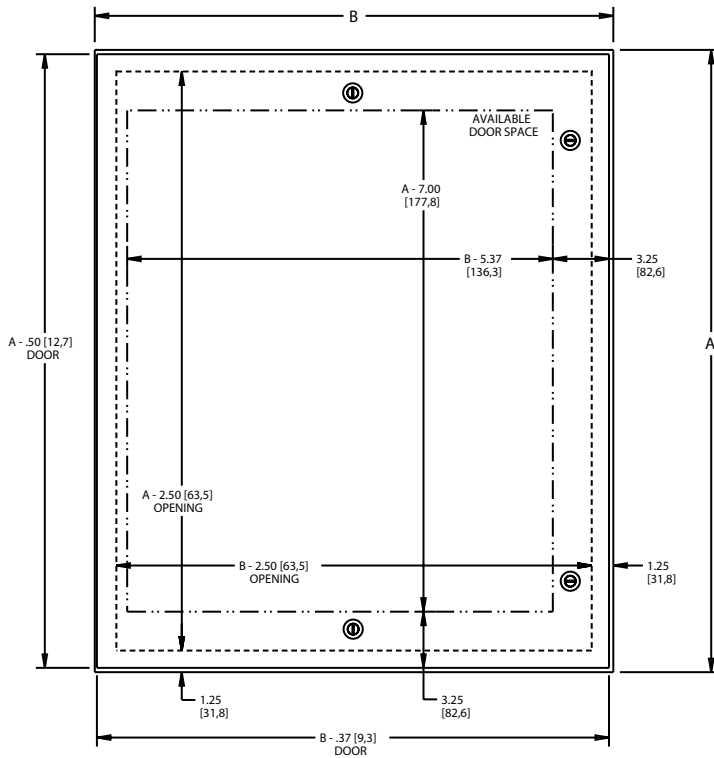


274

Enclosure Product Code S5

Sub-Panel (P3)

Catalog No.	Height (A)	Width (B)	Depth (C)	Industry Standard	Catalog No.	Panel Height (D)	Panel Width (E)
<a href="#">SCE-12EL1206SSLP</a>	12.00	12.00	6.00	IS6	<a href="#">SCE-12DLP12</a>	9.00	9.00
<a href="#">SCE-12EL2406SSLP</a>	12.00	24.00	6.00	IS6	<a href="#">SCE-12P24</a>	9.00	21.00
<a href="#">SCE-16EL1206SSLP</a>	16.00	12.00	6.00	IS6	<a href="#">SCE-16P12</a>	13.00	9.00
<a href="#">SCE-16EL1208SSLP</a>	16.00	12.00	8.00	IS6	<a href="#">SCE-16P12</a>	13.00	9.00
<a href="#">SCE-16EL1606SSLP</a>	16.00	16.00	6.00	IS6	<a href="#">SCE-16P16</a>	13.00	13.00
<a href="#">SCE-16EL1608SSLP</a>	16.00	16.00	8.00	IS6	<a href="#">SCE-16P16</a>	13.00	13.00
<a href="#">SCE-16EL2008SSLP</a>	16.00	20.00	8.00	IS6	<a href="#">SCE-20P16</a>	17.00	13.00
<a href="#">SCE-20EL1606SSLP</a>	20.00	16.00	6.00	IS6	<a href="#">SCE-20P16</a>	17.00	13.00
<a href="#">SCE-20EL1608SSLP</a>	20.00	16.00	8.00	IS6	<a href="#">SCE-20P16</a>	17.00	13.00
<a href="#">SCE-20EL1610SSLP</a>	20.00	16.00	10.00	IS6	<a href="#">SCE-20P16</a>	17.00	13.00
<a href="#">SCE-20EL2006SSLP</a>	20.00	20.00	6.00	IS6	<a href="#">SCE-20P20</a>	17.00	17.00
<a href="#">SCE-20EL2008SSLP</a>	20.00	20.00	8.00	IS6	<a href="#">SCE-20P20</a>	17.00	17.00
<a href="#">SCE-20EL2010SSLP</a>	20.00	20.00	10.00	IS6	<a href="#">SCE-20P20</a>	17.00	17.00
<a href="#">SCE-20EL2012SSLP</a>	20.00	20.00	12.00	IS6	<a href="#">SCE-20P20</a>	17.00	17.00
<a href="#">SCE-24EL2408SSLP</a>	24.00	24.00	8.00	IS6	<a href="#">SCE-24P20</a>	21.00	17.00
<a href="#">SCE-24EL1608SSLP</a>	24.00	16.00	8.00	IS6	<a href="#">SCE-24P16</a>	21.00	13.00
<a href="#">SCE-24EL2006SSLP</a>	24.00	20.00	6.00	IS6	<a href="#">SCE-24P20</a>	21.00	17.00
<a href="#">SCE-24EL2008SSLP</a>	24.00	20.00	8.00	IS6	<a href="#">SCE-24P20</a>	21.00	17.00
<a href="#">SCE-24EL2010SSLP</a>	24.00	20.00	10.00	IS6	<a href="#">SCE-24P20</a>	21.00	17.00
<a href="#">SCE-24EL2012SSLP</a>	24.00	20.00	12.00	IS6	<a href="#">SCE-24P20</a>	21.00	17.00
<a href="#">SCE-24EL2408SSLP</a>	24.00	24.00	8.00	IS6	<a href="#">SCE-24P24</a>	21.00	21.00
<a href="#">SCE-24EL2410SSLP</a>	24.00	24.00	10.00	IS6	<a href="#">SCE-24P24</a>	21.00	21.00
<a href="#">SCE-24EL2412SSLP</a>	24.00	24.00	12.00	IS6	<a href="#">SCE-24P24</a>	21.00	21.00
<a href="#">SCE-24EL2416SSLP</a>	24.00	24.00	16.00	IS6	<a href="#">SCE-24P24</a>	21.00	21.00
<a href="#">SCE-24EL3008SSLP</a>	24.00	30.00	8.00	IS6	<a href="#">SCE-30P24</a>	27.00	21.00
<a href="#">SCE-24EL3010SSLP</a>	24.00	30.00	10.00	IS6	<a href="#">SCE-30P24</a>	27.00	21.00
<a href="#">SCE-30EL1606SSLP</a>	30.00	16.00	6.00	IS6	<a href="#">SCE-30P16</a>	27.00	13.00
<a href="#">SCE-30EL2008SSLP</a>	30.00	20.00	8.00	IS6	<a href="#">SCE-30P20</a>	27.00	17.00
<a href="#">SCE-30EL2010SSLP</a>	30.00	20.00	10.00	IS6	<a href="#">SCE-30P20</a>	27.00	17.00
<a href="#">SCE-30EL2408SSLP</a>	30.00	24.00	8.00	IS6	<a href="#">SCE-30P24</a>	27.00	21.00
<a href="#">SCE-30EL2410SSLP</a>	30.00	24.00	10.00	IS6	<a href="#">SCE-30P24</a>	27.00	21.00
<a href="#">SCE-30EL2412SSLP</a>	30.00	24.00	12.00	IS6	<a href="#">SCE-30P24</a>	27.00	21.00
<a href="#">SCE-30EL2416SSLP</a>	30.00	24.00	16.00	IS6	<a href="#">SCE-30P24</a>	27.00	21.00
<a href="#">SCE-30EL3008SSLP</a>	30.00	30.00	8.00	IS6	<a href="#">SCE-30P30</a>	27.00	27.00
<a href="#">SCE-30EL3010SSLP</a>	30.00	30.00	10.00	IS6	<a href="#">SCE-30P30</a>	27.00	27.00
<a href="#">SCE-30EL3012SSLP</a>	30.00	30.00	12.00	IS6	<a href="#">SCE-30P30</a>	27.00	27.00
<a href="#">SCE-30EL3608SSLP</a>	30.00	36.00	8.00	IS6	<a href="#">SCE-36P30</a>	33.00	27.00
<a href="#">SCE-36EL2408SSLP</a>	36.00	24.00	8.00	IS6	<a href="#">SCE-36P24</a>	33.00	21.00
<a href="#">SCE-36EL2410SSLP</a>	36.00	24.00	10.00	IS6	<a href="#">SCE-36P24</a>	33.00	21.00
<a href="#">SCE-36EL3008SSLP</a>	36.00	30.00	8.00	IS6	<a href="#">SCE-36P30</a>	33.00	27.00
<a href="#">SCE-36EL3010SSLP</a>	36.00	30.00	10.00	IS6	<a href="#">SCE-36P30</a>	33.00	27.00
<a href="#">SCE-36EL3012SSLP</a>	36.00	30.00	12.00	IS6	<a href="#">SCE-36P30</a>	33.00	27.00
<a href="#">SCE-36EL3016SSLP</a>	36.00	30.00	16.00	IS6	<a href="#">SCE-36P30</a>	33.00	27.00
<a href="#">SCE-36EL3608SSLP</a>	36.00	36.00	8.00	IS6	<a href="#">SCE-36P36</a>	33.00	33.00
<a href="#">SCE-36EL3612SSLP</a>	36.00	36.00	12.00	IS6	<a href="#">SCE-36P36</a>	33.00	33.00
<a href="#">SCE-42EL2410SSLP</a>	42.00	24.00	10.00	IS6	<a href="#">SCE-42P24</a>	39.00	21.00
<a href="#">SCE-42EL3010SSLP</a>	42.00	30.00	10.00	IS6	<a href="#">SCE-42P30</a>	39.00	27.00
<a href="#">SCE-42EL3012SSLP</a>	42.00	30.00	12.00	IS6	<a href="#">SCE-42P30</a>	39.00	27.00
<a href="#">SCE-42EL3612SSLP</a>	42.00	36.00	12.00	IS6	<a href="#">SCE-42P36</a>	39.00	33.00
<a href="#">SCE-42EL3616SSLP</a>	42.00	36.00	16.00	IS6	<a href="#">SCE-42P36</a>	39.00	33.00
<a href="#">SCE-48EL2412SSLP</a>	48.00	24.00	12.00	IS6	<a href="#">SCE-48P24</a>	45.00	21.00
<a href="#">SCE-48EL3612SSLP</a>	48.00	36.00	12.00	IS6	<a href="#">SCE-48P36</a>	45.00	33.00
<a href="#">SCE-48EL3616SSLP</a>	48.00	36.00	16.00	IS6	<a href="#">SCE-48P36</a>	45.00	33.00
<a href="#">SCE-60EL3612SSLP</a>	60.00	36.00	12.00	IS6	<a href="#">SCE-60P36</a>	57.00	33.00
<a href="#">SCE-60EL3616SSLP</a>	60.00	36.00	16.00	IS6	<a href="#">SCE-60P36</a>	57.00	33.00
<a href="#">SCE-60EL3624SSLP</a>	60.00	36.00	24.00	IS6	<a href="#">SCE-60P36</a>	57.00	33.00
<a href="#">SCE-72EL3016SSLP</a>	72.00	30.00	16.00	IS6	<a href="#">SCE-72P30</a>	69.00	27.00
<a href="#">SCE-72EL3612SSLP</a>	72.00	36.00	12.00	IS6	<a href="#">SCE-72P36</a>	69.00	33.00
<a href="#">SCE-72EL3616SSLP</a>	72.00	36.00	16.00	IS6	<a href="#">SCE-72P36</a>	69.00	33.00



SECTION A-A

**SUB-PANEL NOTES:**

Dimensions are from the inside of the door  
 $C + 0.32$  [8,1] for flat sub-panels  
 $C - 0.18$  [4,5] for bent sub-panels

**LATCH NOTES:**

Enclosures  $< 24.00$ " [609,6] in height require only one latch centered on door.  
 Enclosures  $\geq 24.00$ " [609,6] and  $< 40.00$ " [1016] in height require two latches on door.  
 Enclosures  $\geq 40.00$ " [1016] require three latches on door.  
 Omit center latch top and bottom of door when door width is  $\leq 30.00$ " [762]