

Stainless Steel Desk Consoles

Application -

Intended for indoor use to provide a degree of protection to personnel against access to hazardous parts also to provide a degree of protection for the equipment inside the enclosure against ingress of solid foreign objects and falling dirt, to provide a degree of protection with respect to harmful effects on the equipment due to the ingress of water, splashing water. Designed for use in a standing or sitting position with single and dual access and top that opens for easy accessibility. For installation information, consult our Installation Manual at www.saginawcontrol.com.

Construction -

- 0.075" stainless steel Type 304 & 316/316L.
- Seams continuously welded and ground smooth.
- 25 Degree Sloped top.
- Door props on sloped door to hold in the open position.
- Oil and water resistant gasket.
- Flange trough collar around all sides of door opening.
- Concealed hinge.
- Removable doors.
- Removable print pocket.
- Ground studs on door and body.
- Rubber pads with provision for leveling pads on bottom of enclosure.
- Black, quarter turn latches on top door.
- Keylocking black 3-point flush swing handle in front door of single access, front and rear doors on dual access.
- Optional tamper-resistant inserts or padlocking handles are available.
- Mounting studs welded on interior back for mounting optional sub-panels on single access console.
- Mounting channels welded on sides of interior body for mounting optional sub-panels on dual access console.
- Mounting hardware included for (1) optional sub-panel.

Finish -

#4 brushed finish on all exterior surfaces. Optional sub-panels are powder coated white.

IS1 - Industry Standards -

NEMA Type 12 & Type 13
UL Listed Type 12
CSA Type 12
IEC 60529 IP55

IS5 - Industry Standards -

NEMA Type 4, 4X, 12 & Type 13
UL Listed Type 4, 4X & 12
CSA Type 4, 4X & 12
IEC 60529 IP66

304 STAINLESS STEEL DESK CONSOLES

ENCLOSURE PRODUCT CODE S10						SUB-PANEL (P3)			
Catalog No.	Height (A)	Width (B)	Depth (C)	Industry Standard	List Price	Catalog No.	Panel Height (D)	Panel Width (E)	List Price
Single Access Single Door									
SCE-402516SDCSS	40.25	25.25	15.50	IS5	3,749.87	SCE-30P24	27.00	21.00	63.29
SCE-403716SDCSS	40.25	37.25	15.50	IS5	4,262.27	SCE-36P30	33.00	27.00	101.27
SCE-462519SDCSS	46.25	25.25	18.50	IS5	5,166.34	SCE-36P24	33.00	21.00	75.96
SCE-463719SDCSS	46.25	37.25	18.50	IS1	5,734.38	SCE-36P36	33.00	33.00	118.99
Dual Access Single Door									
SCE-462519DCSS	46.00	25.25	18.50	IS5	5,503.92	SCE-36P24	33.00	21.00	75.96
SCE-463719DCSS	46.25	37.25	18.50	IS1	6,056.70	SCE-36P36	33.00	33.00	118.99
Single Access Two Door									
SCE-464919SDCSS	46.25	49.25	18.50	IS1	6,632.48	SCE-48P36	45.00	33.00	154.46
SCE-466019SDCSS	46.25	59.88	18.50	IS1	8,586.44	SCE-60PC36	55.63	33.00	181.41
Dual Access Overlapping Two Door									
SCE-464919DCSS	46.25	49.25	18.50	IS1	6,975.12	SCE-48P36	45.00	33.00	154.46
SCE-466019DCSS	46.25	59.88	18.50	IS1	9,271.50	SCE-60PC36	55.63	33.00	181.41
Dual Access Two Door with Center Channel									
SCE-464919DCCSS	46.25	49.25	18.50	IS5	7,791.16	SCE-48P36	45.00	33.00	154.46
SCE-466019DCCSS	46.25	59.88	18.50	IS5	10,009.00	SCE-60PC36	55.63	33.00	181.41

316 STAINLESS STEEL DESK CONSOLES

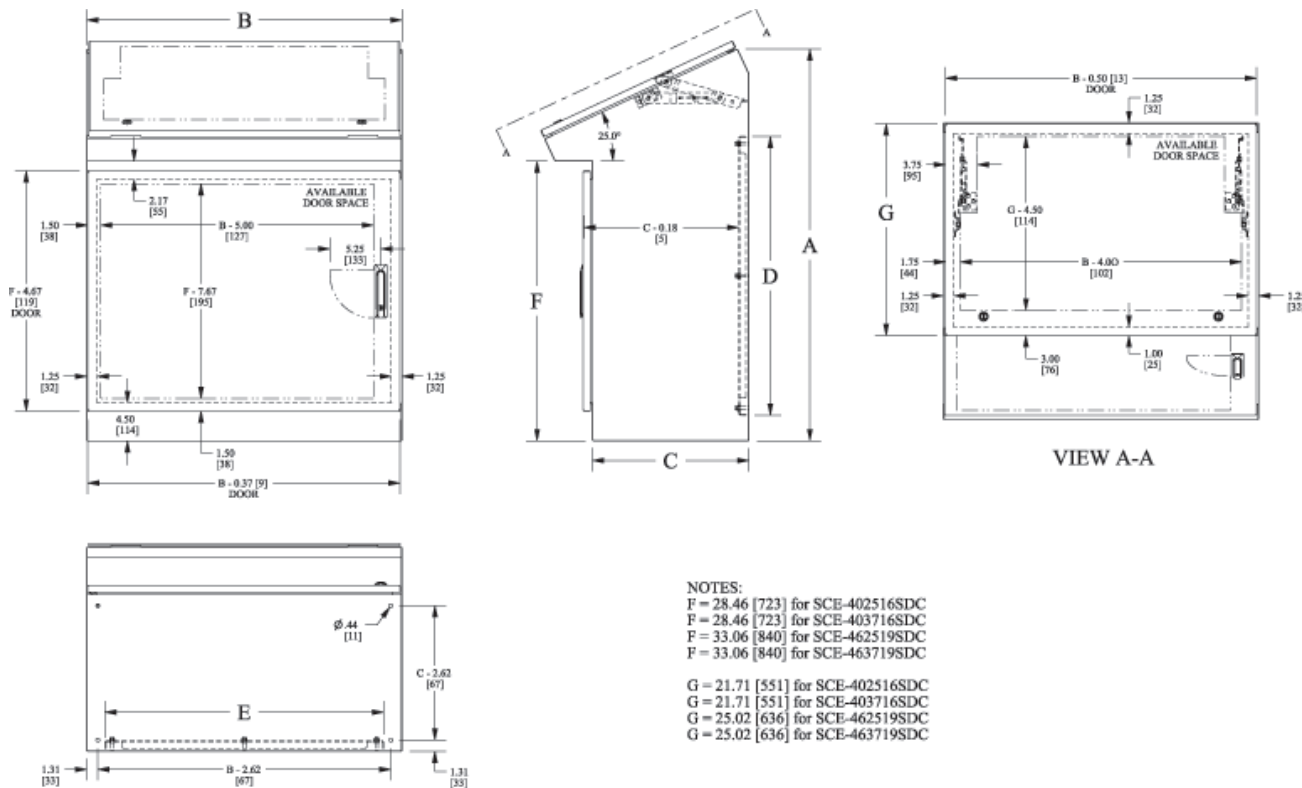
ENCLOSURE PRODUCT CODE S7						SUB-PANEL (P3)			
Catalog No.	Height (A)	Width (B)	Depth (C)	Industry Standard	List Price	Catalog No.	Panel Height (D)	Panel Width (E)	List Price
Single Access Single Door									
SCE-402516SDCSS6	40.25	25.25	15.50	IS5	3,899.86	SCE-30P24	27.00	21.00	63.29
SCE-403716SDCSS6	40.25	37.25	15.50	IS5	4,432.76	SCE-36P30	33.00	27.00	101.27
SCE-462519SDCSS6	46.25	25.25	18.50	IS5	5,372.98	SCE-36P24	33.00	21.00	75.96
SCE-463719SDCSS6	46.25	37.25	18.50	IS1	5,963.76	SCE-36P36	33.00	33.00	118.99
Dual Access Single Door									
SCE-462519DCSS6	46.00	25.25	18.50	IS5	5,724.08	SCE-36P24	33.00	21.00	75.96
SCE-463719DCSS6	46.25	37.25	18.50	IS1	6,298.97	SCE-36P36	33.00	33.00	118.99
Single Access Two Door									
SCE-464919SDCSS6	46.25	49.25	18.50	IS1	6,897.78	SCE-48P36	45.00	33.00	154.46
SCE-466019SDCSS6	46.25	59.88	18.50	IS1	8,929.90	SCE-60PC36	55.63	33.00	181.41
Dual Access Overlapping Two Door									
SCE-464919DCSS6	46.25	49.25	18.50	IS1	7,254.13	SCE-48P36	45.00	33.00	154.46
SCE-466019DCSS6	46.25	59.88	18.50	IS1	9,642.36	SCE-60PC36	55.63	33.00	181.41
Dual Access Two Door with Center Channel									
SCE-464919DCCSS6	46.25	49.25	18.50	IS5	8,102.81	SCE-48P36	45.00	33.00	154.46
SCE-466019DCCSS6	46.25	59.88	18.50	IS5	10,409.36	SCE-60PC36	55.63	33.00	181.41



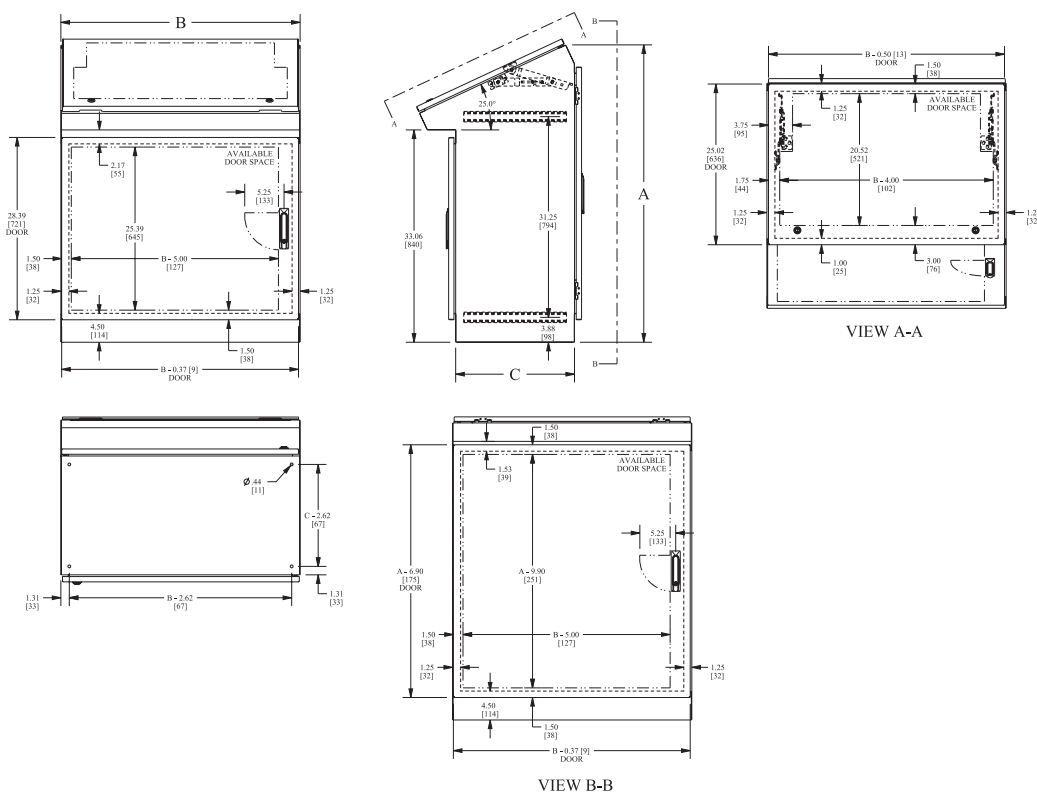
STAINLESS STEEL DESK CONSOLES

TECHNICAL DATA

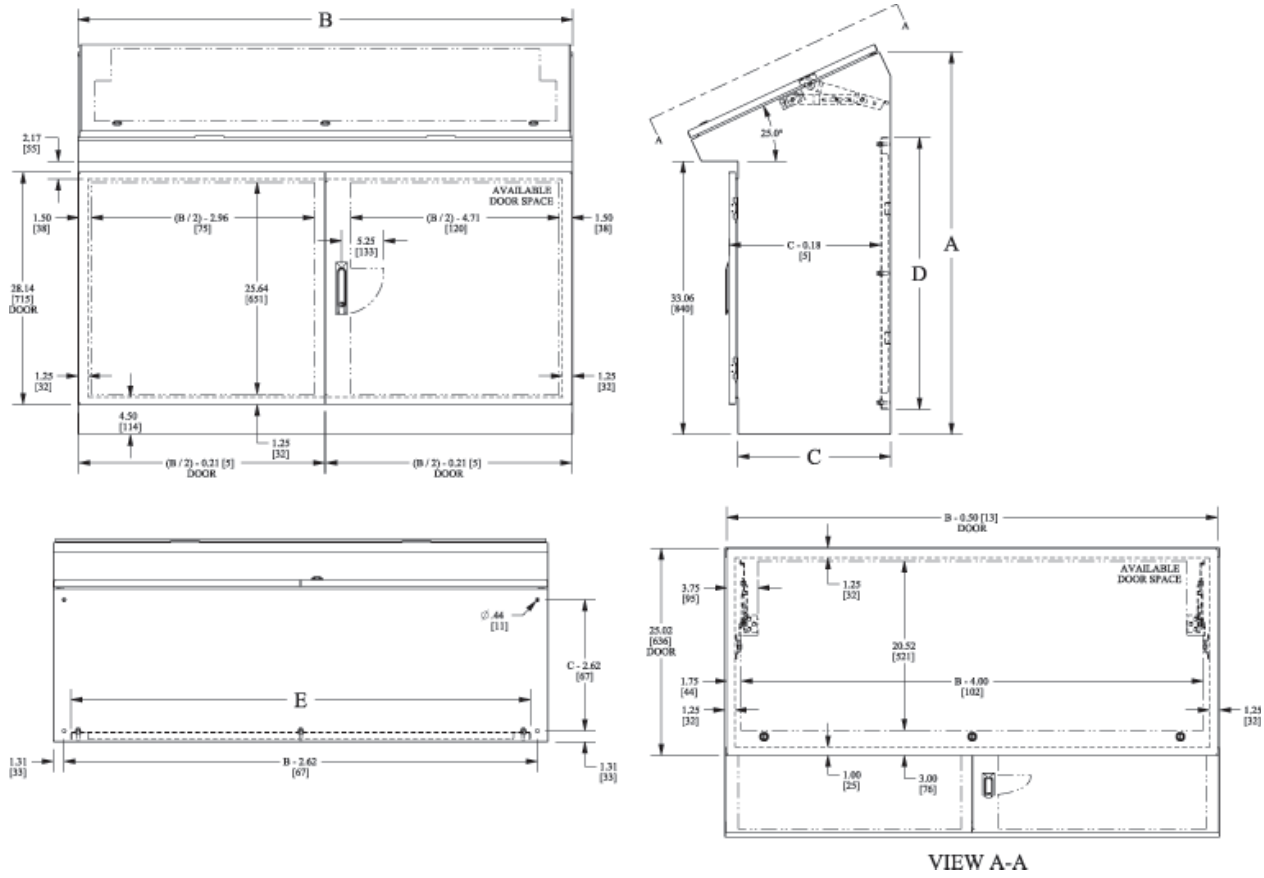
SINGLE ACCESS SINGLE DOOR



DUAL ACCESS SINGLE DOOR

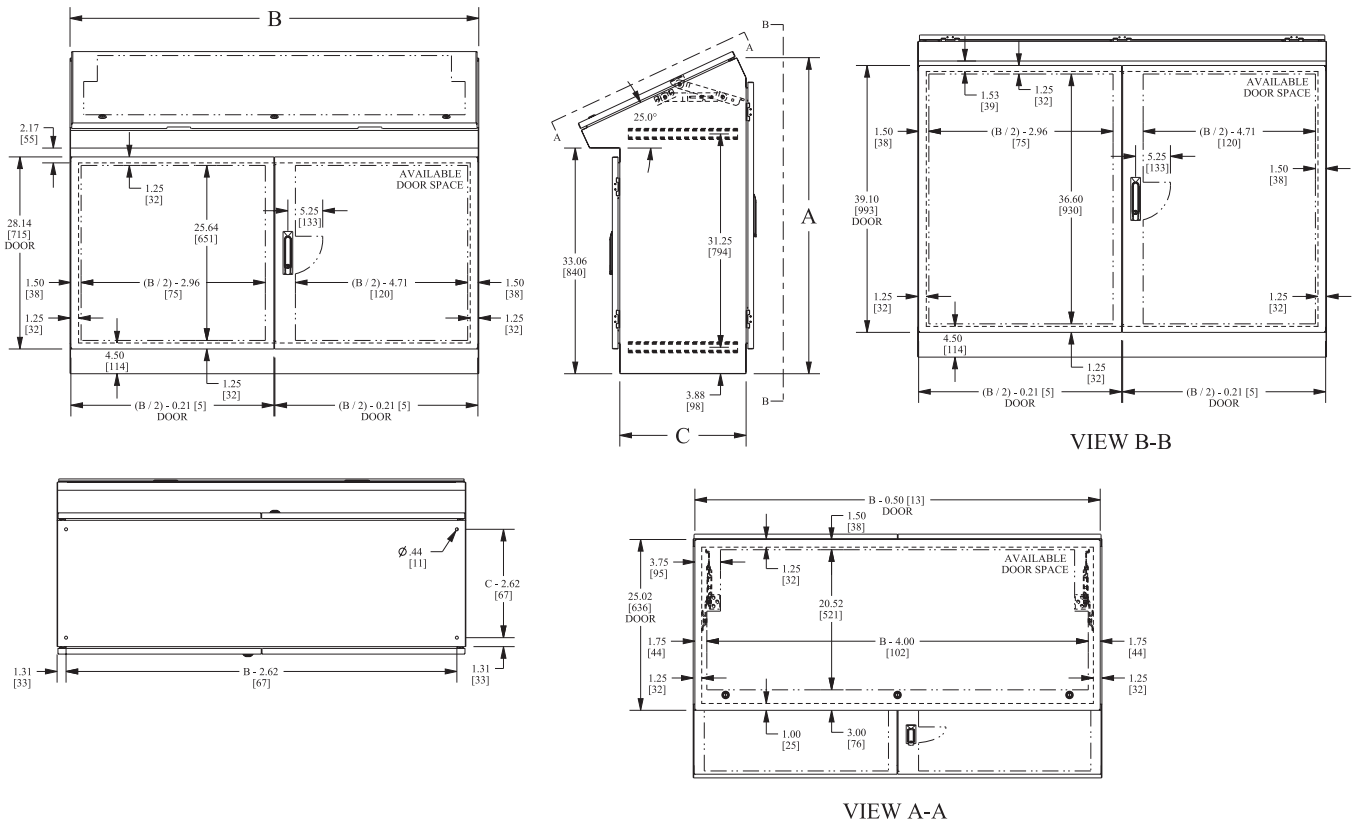


SINGLE ACCESS TWO DOOR



VIEW A-A

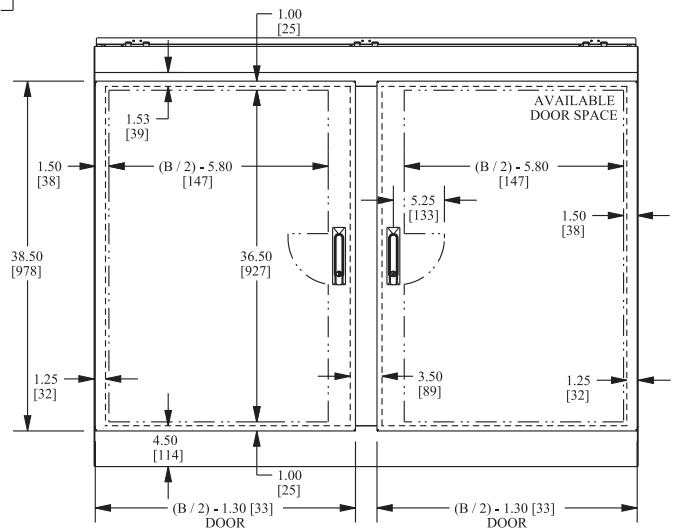
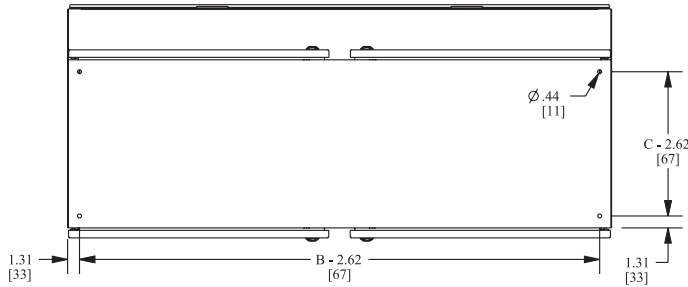
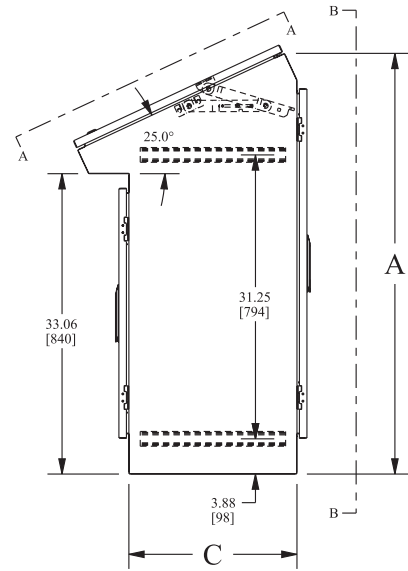
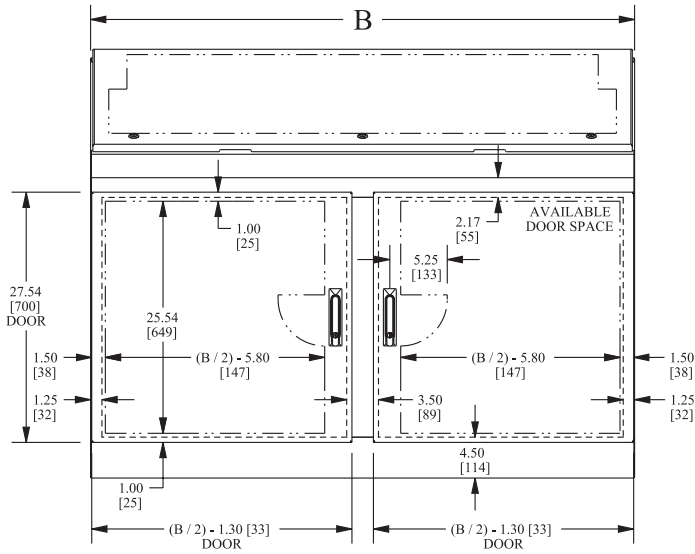
DUAL ACCESS OVERLAPPING TWO DOOR



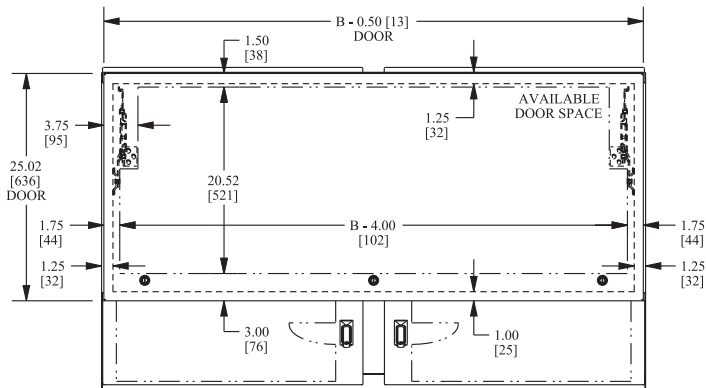
VIEW B-B

VIEW A-A

DUAL ACCESS TWO DOOR WITH CENTER CHANNEL



VIEW B-B



VIEW A-A