

ALL-ROUND FLASHING LIGHTS 30 J PMF 2030



Secure 360° alarm for large distances (indoors or outdoors)

- Extremely reliable and durable due to the use of state-of-the-art electronic components – no replacement of mechanical or electrical wearing parts necessary.
- Reliable performance even under the toughest working and production conditions, e.g. possible voltage fluctuations, high ambient temperatures up to +55 °C, high relative humidity up to 90 %.
- Mounting-friendly; large variety of mounting methods.
- Bracket-mounting using solid stainless steel bracket or direct mounting with enclosed flat seal.
- Maximum flash energy 30 joules.
- Good light bundling is achieved in the horizontal plane thanks to the lens in the form of a fresnel lens and the special xenon flash tube.
- Very good perceptibility over great distances; low power consumption.




protection system



operating temperature



PRODUCT PMF 2030

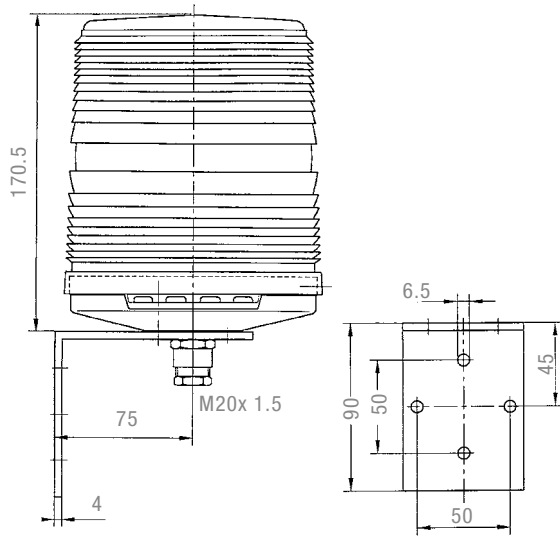
PRODUCT		PMF 2030			
DATA					
Rated voltage		230 V			
Operating range		AC 50 60 Hz			
Operating range		195–253 V			
Nominal current consumption	@ 30 J	1 Hz: 450 mA	0.75 Hz: 380 mA	0.5 Hz: 310 mA	0.1 Hz: 150 mA
	@ 20 J	1 Hz: 400 mA	0.75 Hz: 340 mA	0.5 Hz: 290 mA	0.1 Hz: 140 mA
Light source		xenon flash tube			
Flash rate		1 Hz = 60 flashes/min, see flash frequency table			
Flash energy		max. 30 J, switchable to 20 J			
Light intensity (DIN 5037) ¹		1,500 cd			
Max. viewing distance		898 m			
Beam angle		vertical approx. 16 °, horizontal 360 °			
Operating temperature		–40 °C ... +55 °C			
Storage temperature		–40 °C ... +70 °C			
Relative humidity		90 %			
Protection system (EN 60529)		IP 55 (vertical mounting)			
Service life of the light source		light emission still 70 % after 8,000,000 flashes			
Material	lens	 polycarbonate (PC), fresnel characteristic			
	housing	bracket mounting: polycarbonate (PC) / direct mounting: acrylonitrile butadiene styrene (ABS)			
Cable entry	bracket mounting	M20x 1.5			
Connecting terminal		single wire 0.5–2.5 mm ² , fine wire 0.5–1.5 mm ² , with cable end sleeves DIN 46228/1			
Weight	bracket mounting	1.25 kg			
	direct mounting	0.75 kg			

¹ with a clear lens

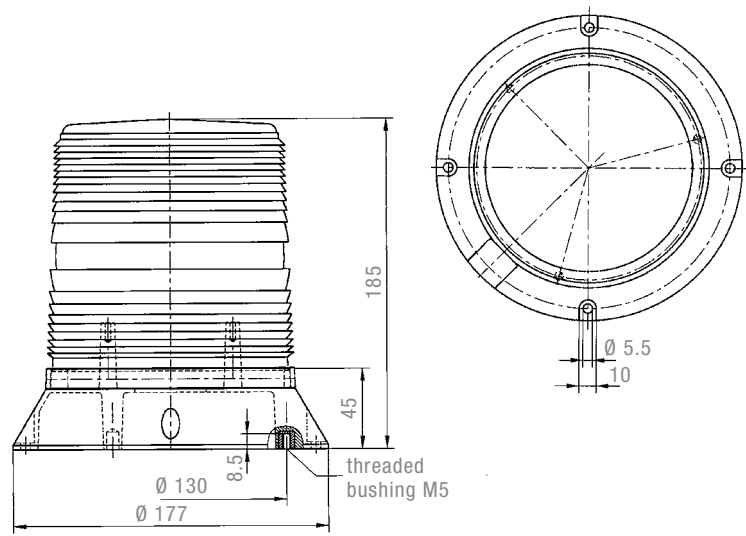
FLASH FREQUENCIES											
S1				Flash energy	Flash rate	S1				Flash energy	Flash rate
1	2	3	4			1	2	3	4		
OFF	OFF	OFF	OFF	30 J	1 Hz	OFF	OFF	ON	OFF	20 J	1 Hz
ON	OFF	OFF	OFF		0.75 Hz	ON	OFF	ON	OFF		0.75 Hz
OFF	ON	OFF	OFF		0.5 Hz	OFF	ON	ON	OFF		0.5 Hz
ON	ON	OFF	OFF		0.1 Hz	ON	ON	ON	OFF		0.1 Hz

DIMENSIONS

bracket mounting

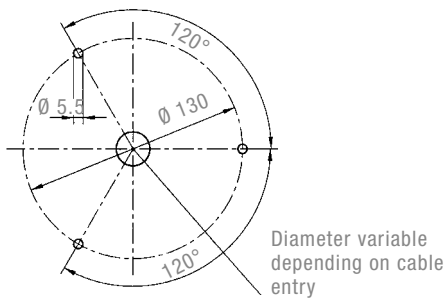


direct mounting

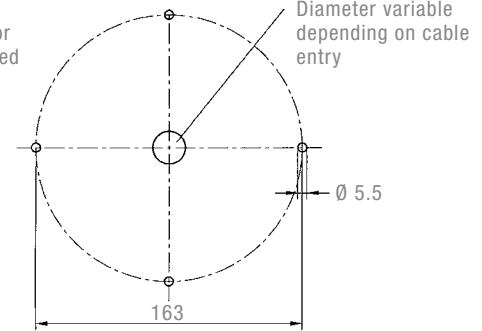




Drilling template 1 for M5 threaded bushing

Drilling template 2



Two different drilling templates are available for fixing the light (direct mounting). M5x 8 threaded bushes are set into the base of the light for fixing according to drilling template 1. Drilling template 2 allows the light to be fixed using 4 through bolts or similar from above.

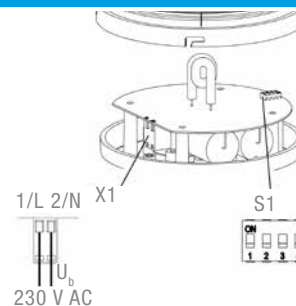


ARTICLE NO.	PMF 2030 direct mounting	PMF 2030 bracket mounting
LENS COLOUR	230 V AC	230 V AC
	21010104000	21010104010
	21010105000	21010105010

Article numbers for other colours and voltages on request.

OPTIONS/ACCESSORIES

CONNECTION DIAGRAM



CONFORMITY TO STANDARDS

The visual characteristics of flashing lights conform to the European standard DIN EN 842; “Machine safety – visual alarm signals”. Requirements contained in the DIN EN 981 standard; “Machine safety – system of acoustic and visual alarm and information signals”, can be fulfilled. The colours “red” for the emergency signal and “yellow” for the warning signal conform to the requirements of IEC 73 / DIN EN 60073 / VDE 0199; “Coding of display devices and control elements using colours and supplementary means”.

References to visual alarm devices can be found in the following standards:
 EN 60825-1 Radiation safety of laser devices, identical to IEC 825 and DIN-VDE 0837
 DIN EN 54 Fire alarm systems
 DIN 54113-2 Radiation protection regulations for the technical operation of X-ray equipment up to 500 kV