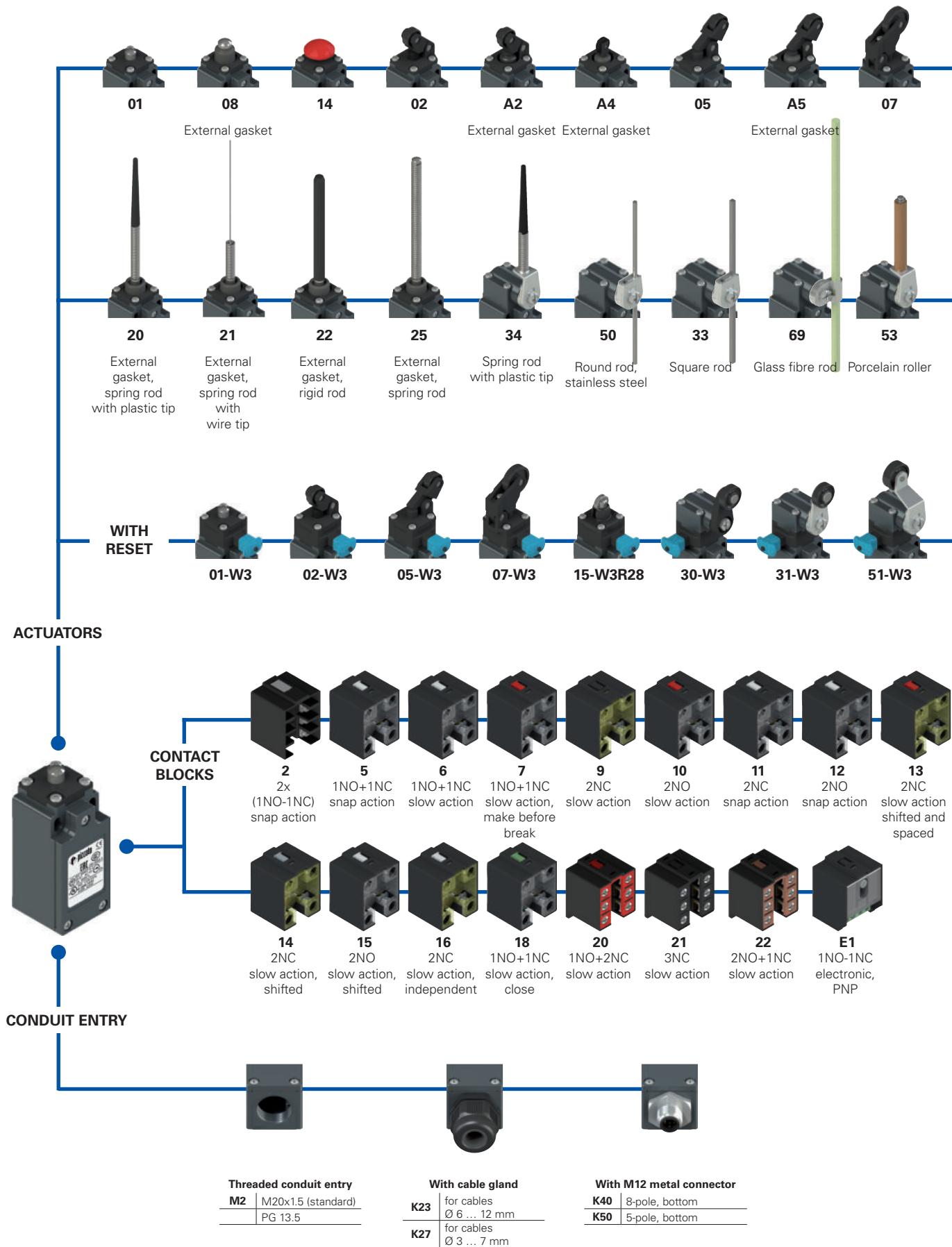
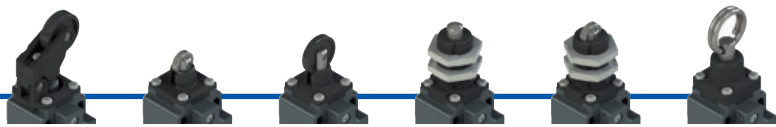


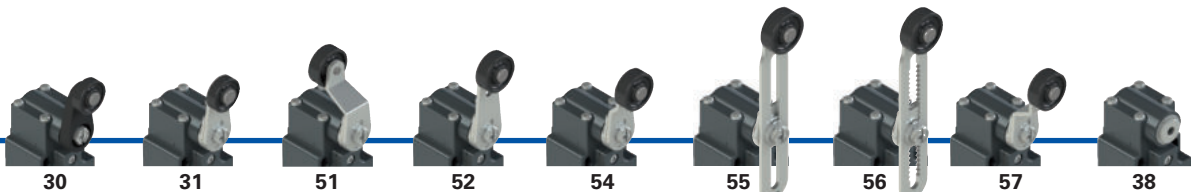
Selection diagram



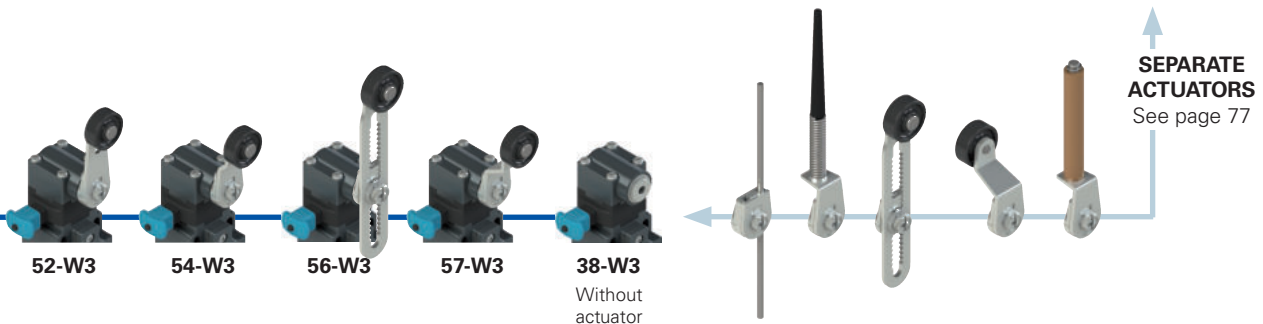
● Product options  
→ Sold separately as accessory



**A7** External gasket  
**15-R28** Roller Ø 12 mm, stainless steel  
**16** Roller Ø 20 mm  
**12** Roller Ø 12 mm, stainless steel  
**13** Roller Ø 12 mm, stainless steel  
**76** Rope switch for signalling



**30** **31** **51** **52** **54** **55** Adjustable lever **56** Adjustable safety lever **57** **38** Without actuator



### Code structure

**Attention!** The feasibility of a code number does not mean the effective availability of a product. Please contact our sales office.

article options options  
**FM 502-W3GM2K50R23T6**

<b>Housing</b>		<b>Ambient temperature</b>	
<b>FM</b>	metal, one conduit entry		-25°C ... +80°C (standard)
<b>Contact block</b>		<b>T6</b>	-40°C ... +80°C
<b>5</b>	1NO+1NC, snap action	<b>Pre-installed cable glands or connectors</b>	
<b>6</b>	1NO+1NC, slow action		no cable gland or connector (standard)
<b>7</b>	1NO+1NC, slow action, make before break	<b>K23</b>	cable gland for cables Ø 6 ... 12 mm
...	.....	<b>K50</b>	M12 metal connector, 5-pole
<b>Actuators</b>		For the complete list of possible combinations please contact our technical department.	
<b>01</b>	short plunger	<b>Threaded conduit entry</b>	<b>Rollers</b>
<b>02</b>	roller lever	<b>M2</b>	M20x1.5 (standard)
<b>05</b>	angled lever with roller		PG 13.5
...	.....	<b>R28</b>	standard roller
<b>Reset</b>		<b>R23</b>	stainless steel Ø 12 mm (for actuators A4, 15)
	without reset (standard)	<b>R24</b>	stainless steel Ø 14 mm (for actuators A2, 02, A5, 05, 30, 31, 51, 52, 54, 55, 56, 57)
<b>W3</b>	simultaneous reset	<b>R25</b>	stainless steel Ø 20 mm (for actuators 30, 31, 51, 52, 54, 55, 56, 57)
<b>W4</b>	simultaneous reset, increased force	<b>R26</b>	technopolymer, Ø 35 mm (for actuators 30, 31, 51, 52, 54, 55, 56, 57)
<b>Contact type</b>		<b>R5</b>	rubber, Ø 40 mm (for actuators 30, 31, 51, 52, 54, 55, 56, 57)
	silver contacts (standard)	<b>R27</b>	rubber, Ø 50 mm (for actuators 51, 52, 54, 55, 56, 57)
<b>G</b>	silver contacts, 1 µm gold coating		rubber, Ø 50 mm (for actuators 55, 56, 57)
<b>G1</b>	silver contacts, 2.5 µm gold coating (except contact blocks 2, 20, 21, 22)		



### Main features

- Metal housing, one conduit entry
- Protection degree IP67
- 17 contact blocks available
- 43 actuators available
- Versions with M12 connector
- Versions with gold-plated silver contacts

### Technical data

#### Housing

Metal housing, powder-coated  
 One threaded conduit entry: M20x1.5 (standard)  
 Protection degree acc. to EN 60529: IP67 with cable gland of equal or higher protection degree

#### General data

Ambient temperature: -25°C ... +80°C (standard)  
 -40°C ... +80°C (T6 option)  
 Max. actuation frequency: 3600 operating cycles/hour  
 Mechanical endurance: 20 million operating cycles  
 Mounting position: any  
 Safety parameter  $B_{10D}$ : 40,000,000 for NC contacts  
 Mechanical interlock, not coded: type 1 acc. to EN ISO 14119  
 Tightening torques for installation: see page 227  
 Wire cross-sections and wire stripping lengths: see page 243

#### In compliance with standards:

IEC 60947-5-1, EN 60947-5-1, EN 60947-1, EN 50047, IEC 60204-1, EN 60204-1, EN ISO 14119, EN ISO 12100, IEC 60529, EN 60529, EN 50581, UL 508, CSA 22.2 No.14.

#### Approvals:

IEC 60947-5-1, UL 508, CSA 22.2 No.14, GB/T14048.5-2017.

#### Compliance with the requirements of:

Low Voltage Directive 2014/35/EU, EMC Directive 2014/30/EU, RoHS Directive 2011/65/EU.

#### Positive contact opening in compliance with standards:

IEC 60947-5-1, EN 60947-5-1.

### Quality marks:



IMQ approval: EG610  
 UL approval: E131787  
 CCC approval: 2007010305229998  
 EAC approval: RU C-IT.YT03.B.00035/19

### Installation for safety applications:

Use only switches marked with the symbol  $\ominus$  next to the product code. Always connect the safety circuit to the **NC contacts** (normally closed contacts: 11-12, 21-22 or 31-32) as required by **EN ISO 14119, paragraph 5.4** for specific interlock applications and **EN ISO 13849-2 tables D3** (well-tried components) and **D.8** (fault exclusions) for safety applications in general. Actuate the switch **at least up to the positive opening travel** shown in the travel diagrams on page 228. Actuate the switch **at least with the positive opening force**, reported in brackets below each article, next to the actuating force value.

**⚠ If not expressly indicated in this chapter, for correct installation and utilization of all articles see the instructions given on pages 223 to 236.**

	Electrical data	Utilization category
without connector	Thermal current ( $I_{th}$ ): 10 A Rated insulation voltage ( $U_i$ ): 500 Vac 600 Vdc 400 Vac 500 Vdc (contact blocks 2, 11, 12, 20, 21, 22) Rated impulse withstand voltage ( $U_{imp}$ ): 6 kV 4 kV (contact blocks 20, 21, 22) Conditional short circuit current: 1000 A acc. to EN 60947-5-1 Protection against short circuits: type aM fuse 10 A 500 V Pollution degree: 3	Alternating current: AC15 (50÷60 Hz) $U_e$ (V) 250 400 500 $I_e$ (A) 6 4 1 Direct current: DC13 $U_e$ (V) 24 125 250 $I_e$ (A) 3 0.55 0.3
with M12 connector, 5-pole	Thermal current ( $I_{th}$ ): 4 A Rated insulation voltage ( $U_i$ ): 250 Vac 300 Vdc Protection against short circuits: type gG fuse 4 A 500 V Pollution degree: 3	Alternating current: AC15 (50÷60 Hz) $U_e$ (V) 24 120 250 $I_e$ (A) 4 4 4 Direct current: DC13 $U_e$ (V) 24 125 250 $I_e$ (A) 3 0.55 0.3
with M12 connector, 8-pole	Thermal current ( $I_{th}$ ): 2 A Rated insulation voltage ( $U_i$ ): 30 Vac 36 Vdc Protection against short circuits: type gG fuse 2 A 500 V Pollution degree: 3	Alternating current: AC15 (50÷60 Hz) $U_e$ (V) 24 $I_e$ (A) 2 Direct current: DC13 $U_e$ (V) 24 $I_e$ (A) 2



### Features approved by IMQ

Rated insulation voltage ( $U_i$ ): 500 Vac  
 400 Vac (for contact blocks 2, 11, 12, 20, 21, 22, 33, 34)

Conventional free air thermal current ( $I_{th}$ ): 10 A

Protection against short circuits: type aM fuse 10 A 500 V

Rated impulse withstand voltage ( $U_{imp}$ ): 6 kV  
 4 kV (for contact blocks 20, 21, 22, 33, 34)

Protection degree of the housing: IP67

MV terminals (screw terminals)

Pollution degree: 3

Utilization category: AC15

Operating voltage ( $U_o$ ): 400 Vac (50 Hz)

Operating current ( $I_o$ ): 3 A

Forms of the contact element: Za, Zb, Za+Za, Y+Y, X+X, Y+Y+X, Y+Y+Y, Y+X+X

Positive opening of contacts on contact blocks 5, 6, 7, 9, 11, 13, 14, 16, 18, 20, 21, 22, 33, 34

In compliance with standards: EN 60947-1, EN 60947-5-1, fundamental requirements of the Low Voltage Directive 2014/35/EU.

Please contact our technical department for the list of approved products.

### Features approved by UL

Electrical Ratings: Q300 pilot duty (69 VA, 125-250 V dc)  
 A600 pilot duty (720 VA, 120-600 V ac)

Environmental Ratings: Types 1, 4X, 12, 13

For all contact blocks except 2 and 3 use 60 or 75°C copper (Cu) conductors, rigid or flexible, wire size 12, 14 AWG. Tightening torque for terminal screws of 7.1 lb in (0.8 Nm).

For contact blocks 2 and 3 use 60 or 75°C copper (Cu) conductors, rigid or flexible, wire size 14 AWG. Tightening torque for terminal screws of 12 lb in (1.4 Nm).

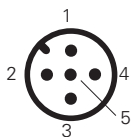
Please contact our technical department for the list of approved products.

### Wiring diagram for M12 connectors

Contact block 2 2x(1NO-1NC)	Contact block 5 1NO+1NC	Contact block 6 1NO+1NC	Contact block 7 1NO+1NC	Contact block 9 2NC	Contact block 10 2NO	Contact block 11 2NC	Contact block 12 2NO	Contact block 13 2NC	
M12 connector, 8-pole	M12 connector, 5-pole	M12 connector, 5-pole	M12 connector, 5-pole	M12 connector, 5-pole	M12 connector, 5-pole	M12 connector, 5-pole	M12 connector, 5-pole	M12 connector, 5-pole	
Contacts	Pin no.	Contacts	Pin no.	Contacts	Pin no.	Contacts	Pin no.	Contacts	Pin no.
NO	3-4	NC	1-2	NC	1-2	NC	1-2	NO	1-2
NC	5-6	NO	3-4	NO	3-4	NO	3-4	NC	3-4
NC	7-8	ground	5	ground	5	ground	5	ground	5
NO	1-2							NC (1°)	1-2
								NO	3-4
								ground	5

Contact block 14 2NC	Contact block 15 2NO	Contact block 16 2NC	Contact block 18 1NO+1NC	Contact block 20 1NO+2NC	Contact block 21 3NC	Contact block 22 2NO+1NC	Contact block 33 1NO+1NC	Contact block 34 2NC	
M12 connector, 5-pole	M12 connector, 5-pole	M12 connector, 5-pole	M12 connector, 5-pole	M12 connector, 8-pole	M12 connector, 8-pole	M12 connector, 8-pole	M12 connector, 5-pole	M12 connector, 5-pole	
Contacts	Pin no.	Contacts	Pin no.	Contacts	Pin no.	Contacts	Pin no.	Contacts	Pin no.
NC (1°)	1-2	NO (1°)	1-2	NC, lever to the right	1-2	NC	3-4	NC	1-2
NC (2°)	3-4	NO (2°)	3-4	NC, lever to the left	3-4	NC	5-6	NO	3-4
ground	5	ground	5	ground	5	NO	7-8	ground	5
				ground	1	NC	7-8	ground	5
				ground	1	NO	5-6	ground	5
				ground	1	NO	7-8	ground	5

Contact block E1  
PNP



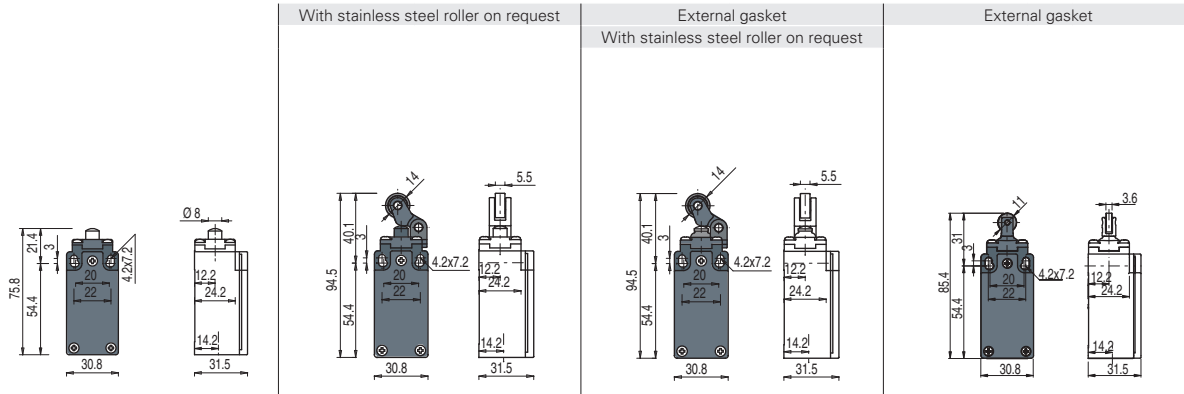
M12 connector, 5-pole

Contacts	Pin no.
+	1
-	3
NC	2
NO	4
ground	5

# FM series position switches

- Contact type
- R** = snap action
  - L** = slow action
  - LO** = slow action make before break
  - LS** = slow action shifted
  - LV** = slow action shifted and spaced
  - LI** = slow action independent
  - LA** = slow action close
  - ⚡** = electronic PNP

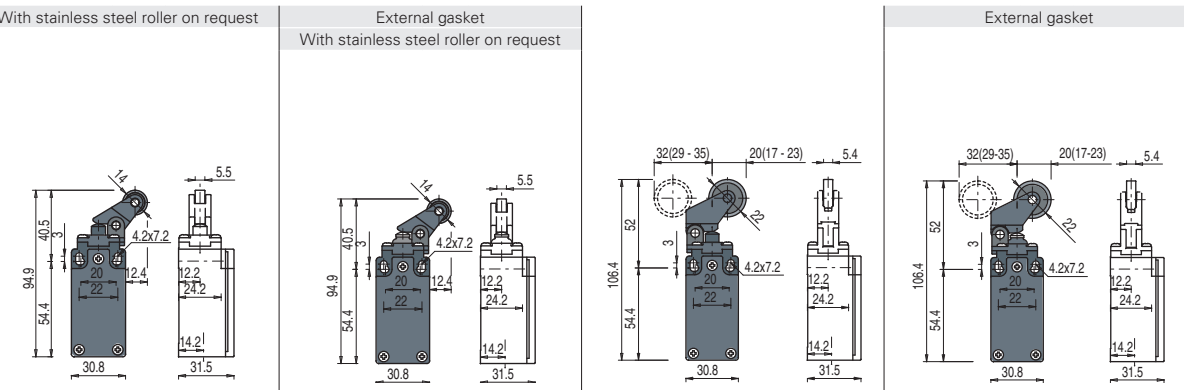
Contact block



	With stainless steel roller on request	External gasket	External gasket	External gasket
2 <b>R</b>	FM 201-M2 2x(1NO-1NC)	FM 202-M2 2x(1NO-1NC)	FM 2A2-M2 2x(1NO-1NC)	FM 2A4-M2 2x(1NO-1NC)
5 <b>R</b>	FM 501-M2 ⊕ 1NO+1NC	FM 502-M2 ⊕ 1NO+1NC	FM 5A2-M2 ⊕ 1NO+1NC	FM 5A4-M2 ⊕ 1NO+1NC
6 <b>L</b>	FM 601-M2 ⊕ 1NO+1NC	FM 602-M2 ⊕ 1NO+1NC	FM 6A2-M2 ⊕ 1NO+1NC	FM 6A4-M2 ⊕ 1NO+1NC
7 <b>LO</b>	FM 701-M2 ⊕ 1NO+1NC	FM 702-M2 ⊕ 1NO+1NC	FM 7A2-M2 ⊕ 1NO+1NC	FM 7A4-M2 ⊕ 1NO+1NC
9 <b>L</b>	FM 901-M2 ⊕ 2NC	FM 902-M2 ⊕ 2NC	FM 9A2-M2 ⊕ 2NC	FM 9A4-M2 ⊕ 2NC
10 <b>L</b>	FM 1001-M2 2NO	FM 1002-M2 2NO	FM 10A2-M2 2NO	FM 10A4-M2 2NO
11 <b>R</b>	FM 1101-M2 ⊕ 2NC	FM 1102-M2 ⊕ 2NC	FM 11A2-M2 ⊕ 2NC	FM 11A4-M2 ⊕ 2NC
12 <b>R</b>	FM 1201-M2 2NO	FM 1202-M2 2NO	FM 12A2-M2 2NO	FM 12A4-M2 2NO
13 <b>LV</b>	FM 1301-M2 ⊕ 2NC	FM 1302-M2 ⊕ 2NC	FM 13A2-M2 ⊕ 2NC	FM 13A4-M2 ⊕ 2NC
14 <b>LS</b>	FM 1401-M2 ⊕ 2NC	FM 1402-M2 ⊕ 2NC	FM 14A2-M2 ⊕ 2NC	FM 14A4-M2 ⊕ 2NC
15 <b>LS</b>	FM 1501-M2 2NO	FM 1502-M2 2NO	FM 15A2-M2 2NO	FM 15A4-M2 2NO
18 <b>LA</b>	FM 1801-M2 ⊕ 1NO+1NC	FM 1802-M2 ⊕ 1NO+1NC	FM 18A2-M2 ⊕ 1NO+1NC	FM 18A4-M2 ⊕ 1NO+1NC
20 <b>L</b>	FM 2001-M2 ⊕ 1NO+2NC	FM 2002-M2 ⊕ 1NO+2NC	FM 20A2-M2 ⊕ 1NO+2NC	FM 20A4-M2 ⊕ 1NO+2NC
21 <b>L</b>	FM 2101-M2 ⊕ 3NC	FM 2102-M2 ⊕ 3NC	FM 21A2-M2 ⊕ 3NC	FM 21A4-M2 ⊕ 3NC
22 <b>L</b>	FM 2201-M2 ⊕ 2NO+1NC	FM 2202-M2 ⊕ 2NO+1NC	FM 22A2-M2 ⊕ 2NO+1NC	FM 22A4-M2 ⊕ 2NO+1NC
E1 <b>⚡</b>	FM E101-M2 1NO-1NC	FM E102-M2 1NO-1NC	FM E1A2-M2 1NO-1NC	FM E1A4-M2 1NO-1NC
Max. speed	page 227 - type 4	page 227 - type 3	page 227 - type 3	page 227 - type 5
Actuating force	8 N (25 N ⊕)	6 N (25 N ⊕)	4.3 N (25 N ⊕)	4.3 N (25 N ⊕)
Travel diagrams	page 228 - group 1	page 228 - group 2	page 228 - group 2	page 228 - group 1

- Contact type
- R** = snap action
  - L** = slow action
  - LO** = slow action make before break
  - LS** = slow action shifted
  - LV** = slow action shifted and spaced
  - LI** = slow action independent
  - LA** = slow action close
  - ⚡** = electronic PNP

Contact block



	With stainless steel roller on request	External gasket	External gasket	External gasket
2 <b>R</b>	FM 205-M2 2x(1NO-1NC)	FM 2A5-M2 2x(1NO-1NC)	FM 207-M2 2x(1NO-1NC)	FM 2A7-M2 2x(1NO-1NC)
5 <b>R</b>	FM 505-M2 ⊕ 1NO+1NC	FM 5A5-M2 ⊕ 1NO+1NC	FM 507-M2 ⊕ 1NO+1NC	FM 5A7-M2 ⊕ 1NO+1NC
6 <b>L</b>	FM 605-M2 ⊕ 1NO+1NC	FM 6A5-M2 ⊕ 1NO+1NC	FM 607-M2 ⊕ 1NO+1NC	FM 6A7-M2 ⊕ 1NO+1NC
7 <b>LO</b>	FM 705-M2 ⊕ 1NO+1NC	FM 7A5-M2 ⊕ 1NO+1NC	FM 707-M2 ⊕ 1NO+1NC	FM 7A7-M2 ⊕ 1NO+1NC
9 <b>L</b>	FM 905-M2 ⊕ 2NC	FM 9A5-M2 ⊕ 2NC	FM 907-M2 ⊕ 2NC	FM 9A7-M2 ⊕ 2NC
10 <b>L</b>	FM 1005-M2 2NO	FM 10A5-M2 2NO	FM 1007-M2 2NO	FM 10A7-M2 2NO
11 <b>R</b>	FM 1105-M2 ⊕ 2NC	FM 11A5-M2 ⊕ 2NC	FM 1107-M2 ⊕ 2NC	FM 11A7-M2 ⊕ 2NC
12 <b>R</b>	FM 1205-M2 2NO	FM 12A5-M2 2NO	FM 1207-M2 2NO	FM 12A7-M2 2NO
13 <b>LV</b>	FM 1305-M2 ⊕ 2NC	FM 13A5-M2 ⊕ 2NC	FM 1307-M2 ⊕ 2NC	FM 13A7-M2 ⊕ 2NC
14 <b>LS</b>	FM 1405-M2 ⊕ 2NC	FM 14A5-M2 ⊕ 2NC	FM 1407-M2 ⊕ 2NC	FM 14A7-M2 ⊕ 2NC
15 <b>LS</b>	FM 1505-M2 2NO	FM 15A5-M2 2NO	FM 1507-M2 2NO	FM 15A7-M2 2NO
18 <b>LA</b>	FM 1805-M2 ⊕ 1NO+1NC	FM 18A5-M2 ⊕ 1NO+1NC	FM 1807-M2 ⊕ 1NO+1NC	FM 18A7-M2 ⊕ 1NO+1NC
20 <b>L</b>	FM 2005-M2 ⊕ 1NO+2NC	FM 20A5-M2 ⊕ 1NO+2NC	FM 2007-M2 ⊕ 1NO+2NC	FM 20A7-M2 ⊕ 1NO+2NC
21 <b>L</b>	FM 2105-M2 ⊕ 3NC	FM 21A5-M2 ⊕ 3NC	FM 2107-M2 ⊕ 3NC	FM 21A7-M2 ⊕ 3NC
22 <b>L</b>	FM 2205-M2 ⊕ 2NO+1NC	FM 22A5-M2 ⊕ 2NO+1NC	FM 2207-M2 ⊕ 2NO+1NC	FM 22A7-M2 ⊕ 2NO+1NC
E1 <b>⚡</b>	FM E105-M2 1NO-1NC	FM E1A5-M2 1NO-1NC	FM E107-M2 1NO-1NC	FM E1A7-M2 1NO-1NC
Max. speed	page 227 - type 3	page 227 - type 3	page 227 - type 3	page 227 - type 3
Actuating force	6 N (25 N ⊕)	4.3 N (25 N ⊕)	4 N (25 N ⊕)	3 N (25 N ⊕)
Travel diagrams	page 228 - group 2	page 228 - group 2	page 228 - group 3	page 228 - group 3

All values in the drawings are in mm

Accessories See page 207

→ The 2D and 3D files are available at [www.pizzato.com](http://www.pizzato.com)



		External gasket							
Contact type									
Contact block									
2	<b>R</b>	FM 208-M2	2x(1NO-1NC)	FM 212-M2	2x(1NO-1NC)	FM 213-M2	2x(1NO-1NC)	FM 214-M2	2x(1NO-1NC)
5	<b>R</b>	FM 508-M2	1NO+1NC	FM 512-M2	1NO+1NC	FM 513-M2	1NO+1NC	FM 514-M2	1NO+1NC
6	<b>L</b>	FM 608-M2	1NO+1NC	FM 612-M2	1NO+1NC	FM 613-M2	1NO+1NC	FM 614-M2	1NO+1NC
7	<b>LO</b>	FM 708-M2	1NO+1NC	FM 712-M2	1NO+1NC	FM 713-M2	1NO+1NC	FM 714-M2	1NO+1NC
9	<b>L</b>	FM 908-M2	2NC	FM 912-M2	2NC	FM 913-M2	2NC	FM 914-M2	2NC
10	<b>L</b>	FM 1008-M2	2NO	FM 1012-M2	2NO	FM 1013-M2	2NO	FM 1014-M2	2NO
11	<b>R</b>	FM 1108-M2	2NC	FM 1112-M2	2NC	FM 1113-M2	2NC	FM 1114-M2	2NC
12	<b>R</b>	FM 1208-M2	2NO	FM 1212-M2	2NO	FM 1213-M2	2NO	FM 1214-M2	2NO
13	<b>LV</b>	FM 1308-M2	2NC	FM 1312-M2	2NC	FM 1313-M2	2NC	FM 1314-M2	2NC
14	<b>LS</b>	FM 1408-M2	2NC	FM 1412-M2	2NC	FM 1413-M2	2NC	FM 1414-M2	2NC
15	<b>LS</b>	FM 1508-M2	2NO	FM 1512-M2	2NO	FM 1513-M2	2NO	FM 1514-M2	2NO
18	<b>LA</b>	FM 1808-M2	1NO+1NC	FM 1812-M2	1NO+1NC	FM 1813-M2	1NO+1NC	FM 1814-M2	1NO+1NC
20	<b>L</b>	FM 2008-M2	1NO+2NC	FM 2012-M2	1NO+2NC	FM 2013-M2	1NO+2NC	FM 2014-M2	1NO+2NC
21	<b>L</b>	FM 2108-M2	3NC	FM 2112-M2	3NC	FM 2113-M2	3NC	FM 2114-M2	3NC
22	<b>L</b>	FM 2208-M2	2NO+1NC	FM 2212-M2	2NO+1NC	FM 2213-M2	2NO+1NC	FM 2214-M2	2NO+1NC
E1		FM E108-M2	1NO-1NC	FM E112-M2	1NO-1NC	FM E113-M2	1NO-1NC	FM E114-M2	1NO-1NC
Max. speed		page 227 - type 4		page 227 - type 4		page 227 - type 2		page 227 - type 4	
Actuating force		8 N (25 N ⊕)		8 N (25 N ⊕)		8 N (25 N ⊕)		8 N (25 N ⊕)	
Travel diagrams		page 228 - group 1		page 228 - group 1		page 228 - group 1		page 228 - group 1	

				External gasket Spring rod		External gasket Spring rod			
Contact type									
Contact block									
2	<b>R</b>	FM 215-M2R28	2x(1NO-1NC)	FM 216-M2	2x(1NO-1NC)	FM 220-M2	2x(1NO-1NC)	FM 221-M2	2x(1NO-1NC)
5	<b>R</b>	FM 515-M2R28	1NO+1NC	FM 516-M2	1NO+1NC	FM 520-M2	1NO+1NC	FM 521-M2	1NO+1NC
6	<b>L</b>	FM 615-M2R28	1NO+1NC	FM 616-M2	1NO+1NC	/	/	/	/
7	<b>LO</b>	FM 715-M2R28	1NO+1NC	FM 716-M2	1NO+1NC	/	/	/	/
9	<b>L</b>	FM 915-M2R28	2NC	FM 916-M2	2NC	/	/	/	/
10	<b>L</b>	FM 1015-M2R28	2NO	FM 1016-M2	2NO	FM 1020-M2	2NO	FM 1021-M2	2NO
11	<b>R</b>	FM 1115-M2R28	2NC	FM 1116-M2	2NC	/	/	/	/
12	<b>R</b>	FM 1215-M2R28	2NO	FM 1216-M2	2NO	FM 1220-M2	2NO	FM 1221-M2	2NO
13	<b>LV</b>	FM 1315-M2R28	2NC	FM 1316-M2	2NC	/	/	/	/
14	<b>LS</b>	FM 1415-M2R28	2NC	FM 1416-M2	2NC	/	/	/	/
15	<b>LS</b>	FM 1515-M2R28	2NO	FM 1516-M2	2NO	/	/	/	/
18	<b>LA</b>	FM 1815-M2R28	1NO+1NC	FM 1816-M2	1NO+1NC	FM 1820-M2	1NO+1NC	FM 1821-M2	1NO+1NC
20	<b>L</b>	FM 2015-M2R28	1NO+2NC	FM 2016-M2	1NO+2NC	FM 2020-M2	1NO+2NC	FM 2021-M2	1NO+2NC
21	<b>L</b>	FM 2115-M2R28	3NC	FM 2116-M2	3NC	FM 2120-M2	3NC	FM 2121-M2	3NC
22	<b>L</b>	FM 2215-M2R28	2NO+1NC	FM 2216-M2	2NO+1NC	FM 2220-M2	2NO+1NC	FM 2221-M2	2NO+1NC
E1		FM E115-M2R28	1NO-1NC	FM E116-M2	1NO-1NC	FM E120-M2	1NO-1NC	FM E121-M2	1NO-1NC
Max. speed		page 227 - type 2		page 227 - type 2		1 m/s		1 m/s	
Actuating force		8 N (25 N ⊕)		8 N (25 N ⊕)		0.07 Nm		0.07 Nm	
Travel diagrams		page 228 - group 1		page 228 - group 1		page 228 - group 4		page 228 - group 4	

All values in the drawings are in mm

Accessories See page 207

→ The 2D and 3D files are available at [www.pizzato.com](http://www.pizzato.com)

# FM series position switches

- Contact type
- R** = snap action
  - L** = slow action
  - LO** = slow action make before break
  - LS** = slow action shifted
  - LV** = slow action shifted and spaced
  - LI** = slow action independent
  - LA** = slow action close
  - PNP** = electronic PNP

Contact block

	External gasket Rigid rod		External gasket Spring rod		With Ø 20 mm stainless steel roller on request		Other rollers available. See page 78		
2	<b>R</b>	FM 222-M2	2x(1NO-1NC)	FM 225-M2	2x(1NO-1NC)	FM 230-M2	2x(1NO-1NC)	FM 231-M2	2x(1NO-1NC)
5	<b>R</b>	/	/	FM 525-M2	1NO+1NC	FM 530-M2	1NO+1NC	FM 531-M2	1NO+1NC
6	<b>L</b>	/	/	/	/	FM 630-M2	1NO+1NC	FM 631-M2	1NO+1NC
7	<b>LO</b>	/	/	/	/	FM 730-M2	1NO+1NC	FM 731-M2	1NO+1NC
9	<b>L</b>	/	/	/	/	FM 930-M2	2NC	FM 931-M2	2NC
10	<b>L</b>	FM 1022-M2	2NO	FM 1025-M2	2NO	FM 1030-M2	2NO	FM 1031-M2	2NO
11	<b>R</b>	/	/	/	/	FM 1130-M2	2NC	FM 1131-M2	2NC
12	<b>R</b>	FM 1222-M2	2NO	FM 1225-M2	2NO	FM 1230-M2	2NO	FM 1231-M2	2NO
13	<b>LV</b>	/	/	/	/	FM 1330-M2	2NC	FM 1331-M2	2NC
14	<b>LS</b>	/	/	/	/	FM 1430-M2	2NC	FM 1431-M2	2NC
15	<b>LS</b>	/	/	/	/	FM 1530-M2	2NO	FM 1531-M2	2NO
16	<b>LI</b>	/	/	/	/	FM 1630-M2	2NC	FM 1631-M2	2NC
18	<b>LA</b>	FM 1822-M2	1NO+1NC	FM 1825-M2	1NO+1NC	FM 1830-M2	1NO+1NC	FM 1831-M2	1NO+1NC
20	<b>L</b>	FM 2022-M2	1NO+2NC	FM 2025-M2	1NO+2NC	FM 2030-M2	1NO+2NC	FM 2031-M2	1NO+2NC
21	<b>L</b>	FM 2122-M2	3NC	FM 2125-M2	3NC	FM 2130-M2	3NC	FM 2131-M2	3NC
22	<b>L</b>	FM 2222-M2	2NO+1NC	FM 2225-M2	2NO+1NC	FM 2230-M2	2NO+1NC	FM 2231-M2	2NO+1NC
E1	<b>PNP</b>	FM E122-M2	1NO-1NC	FM E125-M2	1NO-1NC	FM E130-M2	1NO-1NC	FM E131-M2	1NO-1NC
Max. speed	1 m/s		1 m/s		page 227 - type 1		page 227 - type 1		
Actuating force	0.12 Nm (0.25 Nm ⊕)		0.12 Nm		0.06 Nm (0.25 Nm ⊕)		0.06 Nm (0.25 Nm ⊕)		
Travel diagrams	page 228 - group 4		page 228 - group 4		page 228 - group 5		page 228 - group 5		

- Contact type
- R** = snap action
  - L** = slow action
  - LO** = slow action make before break
  - LS** = slow action shifted
  - LV** = slow action shifted and spaced
  - LI** = slow action independent
  - LA** = slow action close
  - PNP** = electronic PNP

Contact block

	Square rod, 3x3 mm		Spring rod		Round rod, Ø 3 mm, stainless steel		Other rollers available. See page 78		
2	<b>R</b>	FM 233-M2	2x(1NO-1NC)	FM 234-M2	2x(1NO-1NC)	FM 250-M2	2x(1NO-1NC)	FM 251-M2	2x(1NO-1NC)
5	<b>R</b>	FM 533-M2	1NO+1NC	FM 534-M2	1NO+1NC	FM 550-M2	1NO+1NC	FM 551-M2	1NO+1NC
6	<b>L</b>	FM 633-M2	1NO+1NC	FM 634-M2	1NO+1NC	FM 650-M2	1NO+1NC	FM 651-M2	1NO+1NC
7	<b>LO</b>	FM 733-M2	1NO+1NC	FM 734-M2	1NO+1NC	FM 750-M2	1NO+1NC	FM 751-M2	1NO+1NC
9	<b>L</b>	FM 933-M2	2NC	FM 934-M2	2NC	FM 950-M2	2NC	FM 951-M2	2NC
10	<b>L</b>	FM 1033-M2	2NO	FM 1034-M2	2NO	FM 1050-M2	2NO	FM 1051-M2	2NO
11	<b>R</b>	FM 1133-M2	2NC	FM 1134-M2	2NC	FM 1150-M2	2NC	FM 1151-M2	2NC
12	<b>R</b>	FM 1233-M2	2NO	FM 1234-M2	2NO	FM 1250-M2	2NO	FM 1251-M2	2NO
13	<b>LV</b>	FM 1333-M2	2NC	FM 1343-M2	2NC	FM 1350-M2	2NC	FM 1351-M2	2NC
14	<b>LS</b>	FM 1433-M2	2NC	FM 1434-M2	2NC	FM 1450-M2	2NC	FM 1451-M2	2NC
15	<b>LS</b>	FM 1533-M2	2NO	FM 1534-M2	2NO	FM 1550-M2	2NO	FM 1551-M2	2NO
16	<b>LI</b>	FM 1633-M2	2NC	FM 1634-M2	2NC	FM 1650-M2	2NC	FM 1651-M2	2NC
18	<b>LA</b>	FM 1833-M2	1NO+1NC	FM 1834-M2	1NO+1NC	FM 1850-M2	1NO+1NC	FM 1851-M2	1NO+1NC
20	<b>L</b>	FM 2033-M2	1NO+2NC	FM 2034-M2	1NO+2NC	FM 2050-M2	1NO+2NC	FM 2051-M2	1NO+2NC
21	<b>L</b>	FM 2133-M2	3NC	FM 2134-M2	3NC	FM 2150-M2	3NC	FM 2151-M2	3NC
22	<b>L</b>	FM 2233-M2	2NO+1NC	FM 2234-M2	2NO+1NC	FM 2250-M2	2NO+1NC	FM 2251-M2	2NO+1NC
E1	<b>PNP</b>	FM E133-M2	1NO-1NC	FM E134-M2	1NO-1NC	FM E150-M2	1NO-1NC	FM E151-M2	1NO-1NC
Max. speed	1.5 m/s		1.5 m/s		1.5 m/s		page 227 - type 1		
Actuating force	0.06 Nm		0.06 Nm		0.06 Nm		0.06 Nm (0.25 Nm ⊕)		
Travel diagrams	page 228 - group 5		page 228 - group 5		page 228 - group 5		page 228 - group 5		

All values in the drawings are in mm

Accessories See page 207

→ The 2D and 3D files are available at [www.pizzato.com](http://www.pizzato.com)

Contact type		Other rollers available. See page 78	Porcelain roller	Other rollers available. See page 78	Other rollers available. See page 78
<b>R</b>	= snap action				
<b>L</b>	= slow action				
<b>LO</b>	= slow action make before break				
<b>LS</b>	= slow action shifted				
<b>LV</b>	= slow action shifted and spaced				
<b>LI</b>	= slow action independent				
<b>LA</b>	= slow action close				
<b>⏏</b>	= electronic PNP				
Contact block		Other rollers available. See page 78	Porcelain roller	Other rollers available. See page 78	Other rollers available. See page 78
2	<b>R</b> FM 252-M2 2x(1NO-1NC)	FM 253-E0M2 2x(1NO-1NC)	FM 254-M2 2x(1NO-1NC)	FM 255-M2 2x(1NO-1NC)	
5	<b>R</b> FM 552-M2 1NO+1NC	FM 553-E0M2V9 1NO+1NC	FM 554-M2 1NO+1NC	FM 555-M2 1NO+1NC	
6	<b>L</b> FM 652-M2 1NO+1NC	FM 653-E0M2V9 1NO+1NC	FM 654-M2 1NO+1NC	FM 655-M2 1NO+1NC	
7	<b>LO</b> FM 752-M2 1NO+1NC	FM 753-E0M2V9 1NO+1NC	FM 754-M2 1NO+1NC	FM 755-M2 1NO+1NC	
9	<b>L</b> FM 952-M2 2NC	FM 953-E0M2V9 2NC	FM 954-M2 2NC	FM 955-M2 2NC	
10	<b>L</b> FM 1052-M2 2NO	FM 1053-E0M2V9 2NO	FM 1054-M2 2NO	FM 1055-M2 2NO	
11	<b>R</b> FM 1152-M2 2NC	/	FM 1154-M2 2NC	FM 1155-M2 2NC	
12	<b>R</b> FM 1252-M2 2NO	FM 1253-E0M2V9 2NO	FM 1254-M2 2NO	FM 1255-M2 2NO	
13	<b>LV</b> FM 1352-M2 2NC	FM 1353-E0M2V9 2NC	FM 1354-M2 2NC	FM 1355-M2 2NC	
14	<b>LS</b> FM 1452-M2 2NC	FM 1453-E0M2V9 2NC	FM 1454-M2 2NC	FM 1455-M2 2NC	
15	<b>LS</b> FM 1552-M2 2NO	FM 1553-E0M2V9 2NO	FM 1554-M2 2NO	FM 1555-M2 2NO	
16	<b>LI</b> FM 1652-M2 2NC	/	FM 1654-M2 2NC	FM 1655-M2 2NC	
18	<b>LA</b> FM 1852-M2 1NO+1NC	FM 1853-E0M2V9 1NO+1NC	FM 1854-M2 1NO+1NC	FM 1855-M2 1NO+1NC	
20	<b>L</b> FM 2052-M2 1NO+2NC	FM 2053-E0M2V9 1NO+2NC	FM 2054-M2 1NO+2NC	FM 2055-M2 1NO+2NC	
21	<b>L</b> FM 2152-M2 3NC	FM 2153-E0M2V9 3NC	FM 2154-M2 3NC	FM 2155-M2 3NC	
22	<b>L</b> FM 2252-M2 2NO+1NC	FM 2253-E0M2V9 2NO+1NC	FM 2254-M2 2NO+1NC	FM 2255-M2 2NO+1NC	
E1	<b>⏏</b> FM E152-M2 1NO-1NC	FM E153-E0M2V9 1NO-1NC	FM E154-M2 1NO-1NC	FM E155-M2 1NO-1NC	
Max. speed	page 227 - type 1	0.5 m/s	page 227 - type 1	page 227 - type 1	
Actuating force	0.06 Nm (0.25 Nm $\rightarrow$ )	0.03 Nm (0.25 Nm $\rightarrow$ )	0.06 Nm (0.25 Nm $\rightarrow$ )	0.06 Nm (0.25 Nm $\rightarrow$ )	
Travel diagrams	page 228 - group 5	page 228 - group 6	page 228 - group 5	page 228 - group 5	

Contact type		Other rollers available. See page 78	Other rollers available. See page 78	Glass fibre rod	Rope switch for signalling
<b>R</b>	= snap action				
<b>L</b>	= slow action				
<b>LO</b>	= slow action make before break				
<b>LS</b>	= slow action shifted				
<b>LV</b>	= slow action shifted and spaced				
<b>LI</b>	= slow action independent				
<b>LA</b>	= slow action close				
<b>⏏</b>	= electronic PNP				
Contact block		Other rollers available. See page 78	Other rollers available. See page 78	Glass fibre rod	Rope switch for signalling
2	<b>R</b> FM 256-M2 2x(1NO-1NC)	FM 257-M2 2x(1NO-1NC)	FM 269-M2 2x(1NO-1NC)	FM 276-M2 2x(1NO-1NC)	
5	<b>R</b> FM 556-M2 1NO+1NC	FM 557-M2 1NO+1NC	FM 569-M2 1NO+1NC	FM 576-M2 1NO+1NC	
6	<b>L</b> FM 656-M2 1NO+1NC	FM 657-M2 1NO+1NC	FM 669-M2 1NO+1NC	FM 676-M2 1NO+1NC	
7	<b>LO</b> FM 756-M2 1NO+1NC	FM 757-M2 1NO+1NC	FM 769-M2 1NO+1NC	FM 776-M2 1NO+1NC	
9	<b>L</b> FM 956-M2 2NC	FM 957-M2 2NC	FM 969-M2 2NC	FM 976-M2 2NO	
10	<b>L</b> FM 1056-M2 2NO	FM 1057-M2 2NO	FM 1069-M2 2NO	FM 1076-M2 2NC	
11	<b>R</b> FM 1156-M2 2NC	FM 1157-M2 2NC	FM 1169-M2 2NC	FM 1176-M2 2NO	
12	<b>R</b> FM 1256-M2 2NO	FM 1257-M2 2NO	FM 1269-M2 2NO	FM 1276-M2 2NC	
13	<b>LV</b> FM 1356-M2 2NC	FM 1357-M2 2NC	FM 1369-M2 2NC	FM 1376-M2 2NO	
14	<b>LS</b> FM 1456-M2 2NC	FM 1457-M2 2NC	FM 1469-M2 2NC	FM 1476-M2 2NO	
15	<b>LS</b> FM 1556-M2 2NO	FM 1557-M2 2NO	FM 1569-M2 2NO	FM 1576-M2 2NC	
16	<b>LI</b> FM 1656-M2 2NC	FM 1657-M2 2NC	FM 1669-M2 2NC	/	
18	<b>LA</b> FM 1856-M2 1NO+1NC	FM 1857-M2 1NO+1NC	FM 1869-M2 1NO+1NC	FM 1876-M2 1NO+1NC	
20	<b>L</b> FM 2056-M2 1NO+2NC	FM 2057-M2 1NO+2NC	FM 2069-M2 1NO+2NC	FM 2076-M2 2NO+1NC	
21	<b>L</b> FM 2156-M2 3NC	FM 2157-M2 3NC	FM 2169-M2 3NC	FM 2176-M2 3NO	
22	<b>L</b> FM 2256-M2 2NO+1NC	FM 2257-M2 2NO+1NC	FM 2269-M2 2NO+1NC	FM 2276-M2 1NO+2NC	
E1	<b>⏏</b> FM E156-M2 1NO-1NC	FM E157-M2 1NO-1NC	FM E169-M2 1NO-1NC	/	
Max. speed	page 227 - type 1	page 227 - type 1	1.5 m/s	0.5 m/s	
Actuating force	0.06 Nm (0.25 Nm $\rightarrow$ )	0.06 N (0.25 N $\rightarrow$ )	0.06 Nm	initial 20 N - final 40 N	
Travel diagrams	page 228 - group 5	page 228 - group 5	page 228 - group 5	page 228 - group 7	

(1) Positive opening only with actuator set to max. See page 78.  
All values in the drawings are in mm



## FM series position switches with reset



The majority of switches can be equipped with a reset device (option W3) which enables the simultaneous actuation of actuator and contact block. The device is a module that is mounted between the body and the head of the switch that can be rotated independently from the head. The reset device has the following advantages:

- can be integrated into the majority of standard actuator heads;
- contact blocks with snap action are no more necessary because the tripping movement is executed by the reset device itself;
- can be rotated independently from the head ensuring maximum flexibility during installation;
- can be delivered with two different actuating forces: standard and increased for vibration applications;
- mechanical endurance: 1 million operating cycles.

Contact type  
**R** = snap action  
**L** = slow action

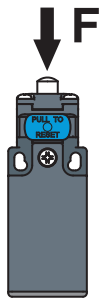
		With stainless steel roller on request	With stainless steel roller on request	With stainless steel roller on request
Contact block				
2	<b>R</b> FM 201-W3M2 2x(1NO-1NC)	FM 202-W3M2 2x(1NO-1NC)	FM 205-W3M2 2x(1NO-1NC)	FM 207-W3M2 2x(1NO-1NC)
6	<b>L</b> FM 601-W3M2 1NO+1NC	FM 602-W3M2 1NO+1NC	FM 605-W3M2 1NO+1NC	FM 607-W3M2 1NO+1NC
9	<b>L</b> FM 901-W3M2 2NC	FM 902-W3M2 2NC	FM 905-W3M2 2NC	FM 907-W3M2 2NC
10	<b>L</b> FM 1001-W3M2 2NO	FM 1002-W3M2 2NO	FM 1005-W3M2 2NO	FM 1007-W3M2 2NO
20	<b>L</b> FM 2001-W3M2 1NO+2NC	FM 2002-W3M2 1NO+2NC	FM 2005-W3M2 1NO+2NC	FM 2007-W3M2 1NO+2NC
21	<b>L</b> FM 2101-W3M2 3NC	FM 2102-W3M2 3NC	FM 2105-W3M2 3NC	FM 2107-W3M2 3NC
22	<b>L</b> FM 2201-W3M2 2NO+1NC	FM 2202-W3M2 2NO+1NC	FM 2205-W3M2 2NO+1NC	FM 2207-W3M2 2NO+1NC
Max. speed	page 227 - type 4	page 227 - type 3	page 227 - type 3	page 227 - type 3
Actuating force	4.5 N (25 N ⊕)	4 N (25 N ⊕)	4 N (25 N ⊕)	2.5 N (25 N ⊕)
Travel diagrams	page 229 - group 1	page 229 - group 2	page 229 - group 2	page 229 - group 3

Contact type  
**R** = snap action  
**L** = slow action

		With Ø 20 mm stainless steel roller on request	Other rollers available. See page 78	Other rollers available. See page 78
Contact block				
2	<b>R</b> FM 215-W3M2R28 2x(1NO-1NC)	FM 230-W3M2 2x(1NO-1NC)	FM 231-W3M2 2x(1NO-1NC)	FM 251-W3M2 2x(1NO-1NC)
6	<b>L</b> FM 615-W3M2R28 1NO+1NC	FM 630-W3M2 1NO+1NC	FM 631-W3M2 1NO+1NC	FM 651-W3M2 1NO+1NC
9	<b>L</b> FM 915-W3M2R28 2NC	FM 930-W3M2 2NC	FM 931-W3M2 2NC	FM 951-W3M2 2NC
10	<b>L</b> FM 1015-W3M2R28 2NO	FM 1030-W3M2 2NO	FM 1031-W3M2 2NO	FM 1051-W3M2 2NO
20	<b>L</b> FM 2015-W3M2R28 1NO+2NC	FM 2030-W3M2 1NO+2NC	FM 2031-W3M2 1NO+2NC	FM 2051-W3M2 1NO+2NC
21	<b>L</b> FM 2115-W3M2R28 3NC	FM 2130-W3M2 3NC	FM 2131-W3M2 3NC	FM 2151-W3M2 3NC
22	<b>L</b> FM 2215-W3M2R28 2NO+1NC	FM 2230-W3M2 2NO+1NC	FM 2231-W3M2 2NO+1NC	FM 2251-W3M2 2NO+1NC
Max. speed	page 227 - type 2	page 227 - type 1	page 227 - type 1	page 227 - type 1
Actuating force	4.5 N (25 N ⊕)	0.07 Nm (0.25 Nm ⊕)	0.07 Nm (0.25 Nm ⊕)	0.07 Nm (0.25 Nm ⊕)
Travel diagrams	page 229 - group 1	page 229 - group 4	page 229 - group 4	page 229 - group 4

		Other rollers available. See page 78		Other rollers available. See page 78		Other rollers available. See page 78		Other rollers available. See page 78	
Contact type									
<b>R</b> = snap action									
<b>L</b> = slow action									
Contact block									
2	<b>R</b>	FM 252-W3M2	2x(1NO-1NC)	FM 254-W3M2	2x(1NO-1NC)	FM 256-W3M2	2x(1NO-1NC)	FM 257-W3M2	2x(1NO-1NC)
6	<b>L</b>	FM 652-W3M2	1NO+1NC	FM 654-W3M2	1NO+1NC	FM 656-W3M2	1NO+1NC	FM 657-W3M2	1NO+1NC
9	<b>L</b>	FM 952-W3M2	2NC	FM 954-W3M2	2NC	FM 956-W3M2	2NC	FM 957-W3M2	2NC
10	<b>L</b>	FM 1052-W3M2	2NO	FM 1054-W3M2	2NO	FM 1056-W3M2	2NO	FM 1057-W3M2	2NO
20	<b>L</b>	FM 2052-W3M2	1NO+2NC	FM 2054-W3M2	1NO+2NC	FM 2056-W3M2	1NO+2NC	FM 2057-W3M2	1NO+2NC
21	<b>L</b>	FM 2152-W3M2	3NC	FM 2154-W3M2	3NC	FM 2156-W3M2	3NC	FM 2157-W3M2	3NC
22	<b>L</b>	FM 2252-W3M2	2NO+1NC	FM 2254-W3M2	2NO+1NC	FM 2256-W3M2	2NO+1NC	FM 2257-W3M2	2NO+1NC
Max. speed		page 227 - type 1		page 227 - type 1		page 227 - type 1		page 227 - type 1	
Actuating force		0.07 Nm (0.25 Nm $\rightarrow$ )		0.07 Nm (0.25 Nm $\rightarrow$ )		0.07 Nm (0.25 Nm $\rightarrow$ )		0.07 Nm (0.25 Nm $\rightarrow$ )	
Travel diagrams		page 229 - group 4		page 229 - group 4		page 229 - group 4		page 229 - group 4	

### Increased actuating force



The switch can be delivered with increased actuating force (option W4). Ideal for vibration applications.

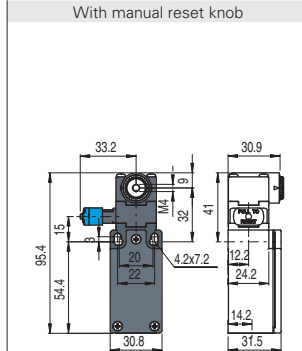
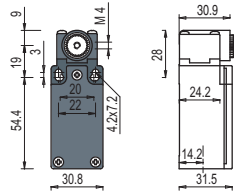
Actuators	Actuating force
01, 14, 15, 16	7 N
02, 05	6 N
07	3.5 N
30 ... 57	0.08 Nm

To order the switch with reset and increased actuating force, replace the -W3 option with -W4 in the order code.

Example: FM 601-W3M2  $\rightarrow$  FM 601-W4M2

## Position switches with swivelling lever without actuator

- Contact type
- R** = snap action
  - L** = slow action
  - LO** = slow action make before break
  - LS** = slow action shifted
  - LV** = slow action shifted and spaced
  - LI** = slow action independent
  - LA** = slow action close
  - ⏏** = electronic PNP



### IMPORTANT

**For safety applications:** join only switches and actuators marked with symbol ⊕ next to the product code. For more information about safety applications see details on page 223.

Contact block	Symbol	Product Code	Contact Configuration	Product Code	Contact Configuration
2	<b>R</b>	FM 238-M2	2x(1NO-1NC)	FM 238-W3M2	2x(1NO-1NC)
5	<b>R</b>	FM 538-M2	⊕ 1NO+1NC	/	/
6	<b>L</b>	FM 638-M2	⊕ 1NO+1NC	FM 638-W3M2	⊕ 1NO+1NC
7	<b>LO</b>	FM 738-M2	⊕ 1NO+1NC	/	/
9	<b>L</b>	FM 938-M2	⊕ 2NC	FM 938-W3M2	⊕ 2NC
10	<b>L</b>	FM 1038-M2	2NO	FM 1038-W3M2	2NO
11	<b>R</b>	FM 1138-M2	⊕ 2NC	/	/
12	<b>R</b>	FM 1238-M2	2NO	/	/
13	<b>LV</b>	FM 1338-M2	⊕ 2NC	/	/
14	<b>LS</b>	FM 1438-M2	⊕ 2NC	/	/
15	<b>LS</b>	FM 1538-M2	2NO	/	/
16	<b>LI</b>	FM 1638-M2	⊕ 2NC	/	/
18	<b>LA</b>	FM 1838-M2	⊕ 1NO+1NC	/	/
20	<b>L</b>	FM 2038-M2	⊕ 1NO+2NC	FM 2038-W3M2	⊕ 1NO+2NC
21	<b>L</b>	FM 2138-M2	⊕ 3NC	FM 2138-W3M2	⊕ 3NC
22	<b>L</b>	FM 2238-M2	⊕ 2NO+1NC	FM 2238-W3M2	⊕ 2NO+1NC
E1	<b>⏏</b>	FM E138-M2	1NO-1NC	/	/
Actuating force		0.06 Nm (0.25 Nm ⊕)		0.07 Nm (0.25 Nm ⊕)	
Travel diagrams		page 228 - group 5		page 229 - group 4	

## Separate actuators

**IMPORTANT:** These separate actuators can be used only with items of the FR, FM, FX, FZ and FK series.

Technopolymer roller Ø 18 mm	Technopolymer roller Ø 18 mm	Adjustable square rod, 3x3x125 mm	Spring rod with plastic tip	Adjustable round rod Ø 3x125 mm	Technopolymer roller Ø 20 mm	
VF LE30 ⊕	VF LE31 ⊕	VF LE33	VF LE34	VF LE50	VF LE51 ⊕	
Technopolymer roller Ø 20 mm	Porcelain roller	Technopolymer roller Ø 20 mm	Adjustable actuator with technopolymer roller	Adjustable safety actuator with technopolymer roller	Technopolymer roller Ø 20 mm	Adjustable glass fibre rod
VF LE52 ⊕	VF LE53 ⊕ (2)	VF LE54 ⊕	VF LE55 ⊕ (1)	VF LE56 ⊕	VF LE57 ⊕	VF LE69

All values in the drawings are in mm

Accessories See page 207

→ The 2D and 3D files are available at [www.pizzato.com](http://www.pizzato.com)



### Special separate actuators

**IMPORTANT:** These separate actuators can be used only with items of the FR, FM, FX, FZ and FK series.

Stainless steel rollers, Ø 20 mm

VF LE31-R24 (2)	VF LE51-R24 (2)	VF LE52-R24 (2)	VF LE54-R24 (2)	VF LE55-R24 (2) (1)	VF LE56-R24 (2)	VF LE57-R24 (2)

Technopolymer rollers, Ø 35 mm

VF LE31-R25 (4)	VF LE51-R25 (4)	VF LE52-R25 (4)	VF LE54-R25 (4)	VF LE55-R25 (1)	VF LE56-R25 (2)	VF LE57-R25 (2)

Rubber rollers, Ø 40 mm

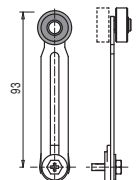
VF LE31-R5 (4)	VF LE51-R5 (4)	VF LE52-R5 (2)	VF LE54-R5 (4)	VF LE55-R5 (1)	VF LE56-R5 (2)	VF LE57-R5 (4)

Rubber rollers, Ø 50 mm

VF LE51-R26 (4)	VF LE52-R26 (4)	VF LE54-R26 (4)	VF LE55-R26 (1)	VF LE56-R26 (2)	VF LE57-R26 (4)

Protruding rubber rollers, Ø 50 mm

VF LE55-R27 (1)	VF LE56-R27 (2)



- (1) Actuator VF LE55 can only be used in safety applications if adjusted to its max. length, as shown in the figure to the right. If an adjustable lever is required for safety applications, use the VF LE56 adjustable safety lever.
- (2) The position switch obtained by assembling switch FM •38-M2 (e.g. FM 538-M2, FM 638-M2, ...) with actuator VF L53 will not present the same travel diagrams and actuating forces as switch FM •53-E0M2V9 (e.g. FM 553-E0M2V9, FM 653-E0M2V9, ...).
- (4) The actuator cannot be rotated to the inside because it will hit the switch head upon actuation.

All values in the drawings are in mm

Accessories See page 207

→ The 2D and 3D files are available at [www.pizzato.com](http://www.pizzato.com)