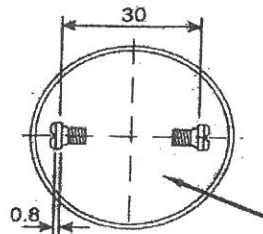
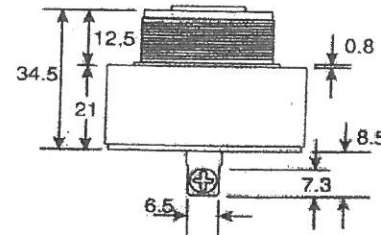
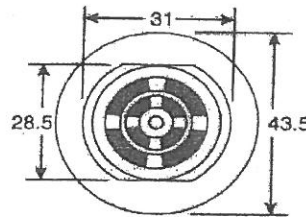


SCOPE: This specification applies to Piezo Buzzer TRIP-650-12SAD

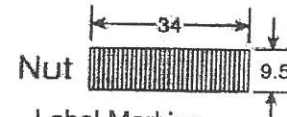
SPECIFICATIONS:

No.	Item	Unit	Specification	Condition
1	Frequency	Hz	2900 +/- 500	
2	Operating Voltage Range	VDC	1.0 ~ 16	
3	Rated Voltage	VDC	12	
4	Max rated current	mA	30	
5	Sound Pressure Level	dBA	95	30 cm @ rated Voltage
5	Tone		Continuous	
7	Operating Temp	C	-20 ~ +60	
8	Housing Material		ABS	
9	Terminal		Screw	
10	Weight	g	35	

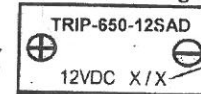
APPEARANCE DRAWING:



BOTTOM VIEW



Label Marking



Date Code Marking
 - 6 / F 1
 Year | Month
 6 = 2006 F = Jun.

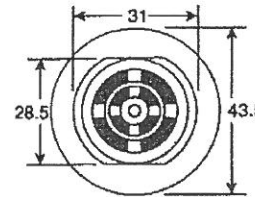
SCOPE. This specification applies to Piezo Element **TRIP-650-24SAD**

SPECIFICATIONS.

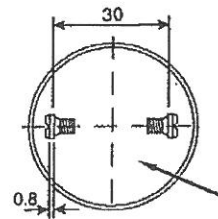
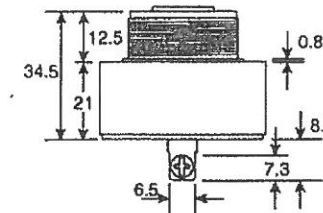
No.	Item	Unit	Specification
1	Operating Voltage	VDC	1.0 ~ 28.0
2	Rated Voltage	VDC	24
3	Current Consumption @24 VDC	mA	MAX 15.0
4	Sound Pressure	dB	Min 95 @ 30cm
5	Resonant Frequency	Hz	2900 +/- 500
6	Tone		Continuous
7	Operating Temperature	C	-20 to +60
8	Storage Temperature	C	-30 to + 70
9	Terminal		Plate
10	Material		ABS
11	Environmental		RoHS
12	Weight	g	35

DIMENSIONS.

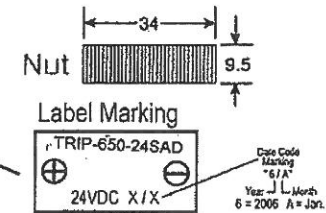
TOP VIEW



SIDE VIEW



BOTTOM VIEW

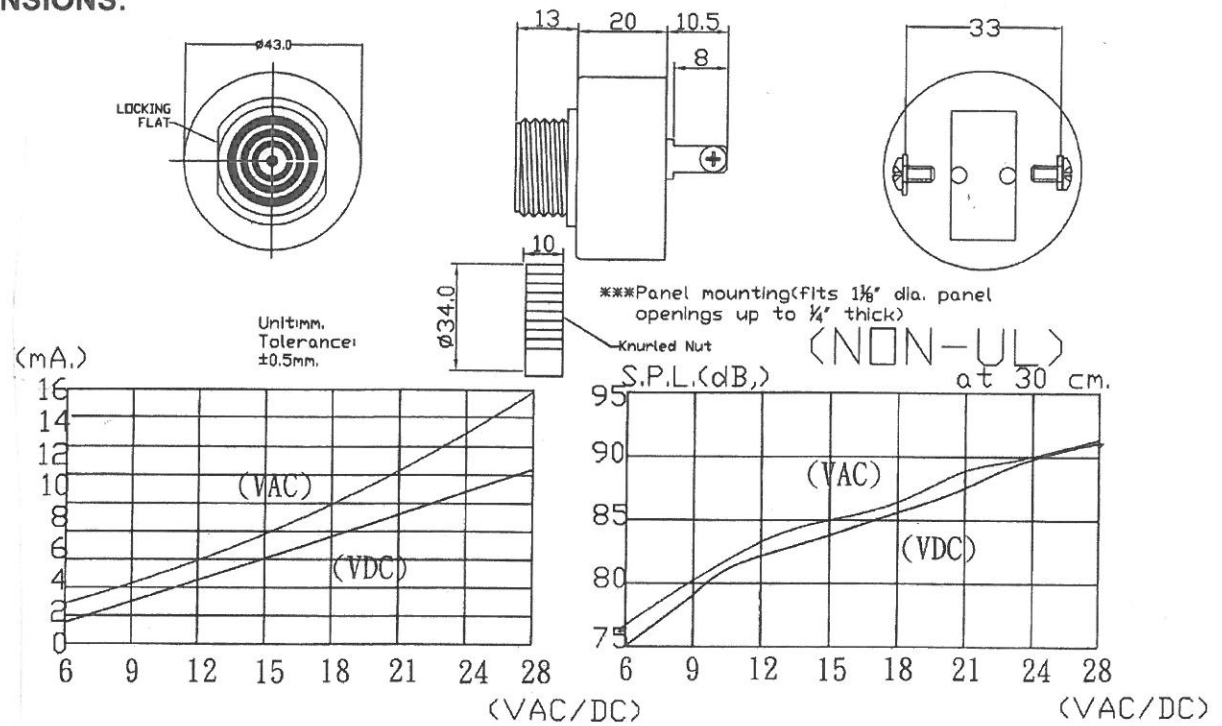


SCOPE This specification applies to Piezo Buzzer, TRIP-650SAN

SPECIFICATIONS:

No.	Item	Unit	Specification	Condition
1	Oscillating frequency	Hz	2900 +/- 500	
2	Operating voltage	VDC	6 ~ 28	
4	Sound pressure level	dB	92dB (28VDC) 75dB (6VDC)	@ 30cm
6	Tone		Continuous	
7	Operating Temp	C	-20 ~ +60	
8	Storage Temperature	C	-30 ~ +70	
9	Weight	g	33.8	
10	Environmental		RoHS	

DIMENSIONS:

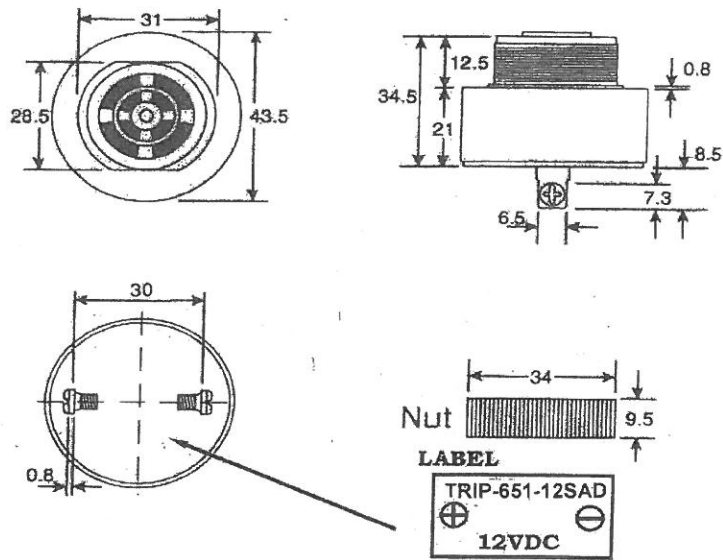


SCOPE: This specification applies to Piezo Buzzer TRIP-651-12SAD

SPECIFICATIONS:

No.	Item	Unit	Specification	Condition
1	Frequency	Hz	2900 +/- 500	
2	Operating Voltage Range	VDC	4.0 ~ 16	
3	Rated Voltage	VDC	12	
4	Max rated current	mA	20	
5	Sound Pressure Level	dB(A)	90	30 cm @ rated Voltage
5	Tone		Fast Pulse	
7	Operating Temp	C	-20 ~ +60	
8	Housing Material		ABS	
9	Terminal		Screw	
10	Weight	g	35	

APPEARANCE DRAWING:



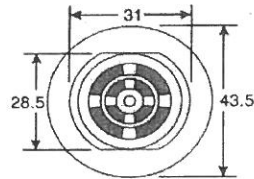
SCOPE. This specification applies to Piezo Element TRIP-651-24SAD

SPECIFICATION.

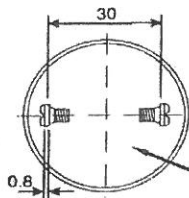
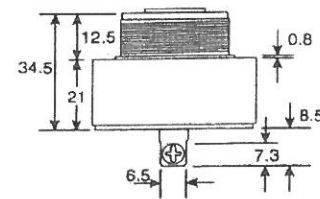
No.	Item	Unit	Specification
1	Operating Voltage	VDC	4.0 ~ 28.0
2	Rated Voltage	VDC	24
3	Current Consumption	mA	Max. 22
4	Sound Pressure	dB	Min 80 @ 30cm
5	Resonant Frequency	Hz	2900 +/- 500
6	Tone		Fast Pulse
7	Operating Temperature	C	-20 to +60
8	Storage Temperature	C	-30 to + 70
9	Terminal		Plate
10	Material		ABS
11	Environmental		RoHS
12	Weight	g	40

DIMENSIONS.

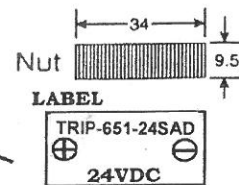
TOP VIEW



SIDE VIEW



BOTTOM VIEW

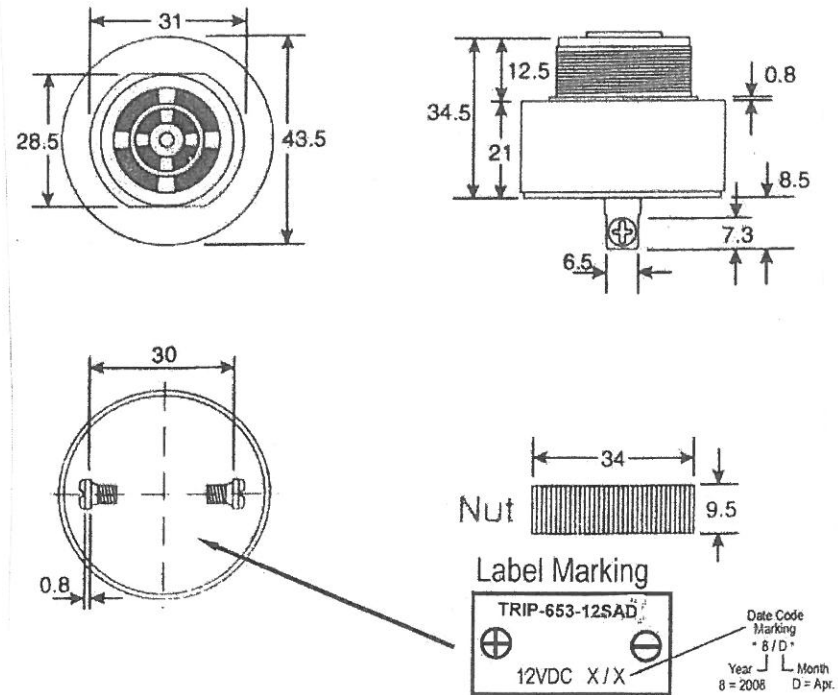


SCOPE: This specification applies to Panel Mt Piezo Buzzer TRIP-653-12SAD

SPECIFICATIONS:

No.	Item	Unit	Specification	Condition
1	Operating Voltage Range	VDC	4.0 ~ 16.0	
2	Rated Voltage	VDC	12	
3	Max rated current	mA	20.0	
4	Sound Pressure Level	dBA	90	30 cm @ rated Voltage
5	Frequency	Hz	2900 +/- 500	
6	Tone		Slow Pulse	
7	Operating Temp	C	-20 ~ +60	
8	Terminal		Screw	
9	Case material		ABS	
10	Weight	g	35	

APPEARANCE DRAWING:

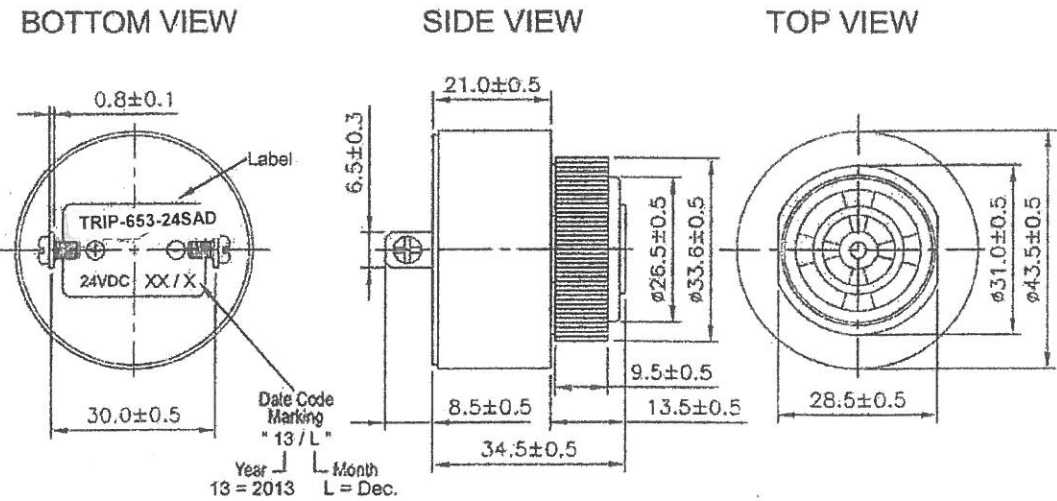


SCOPE. This specification applies to Piezo Element TRIP-653-24SAD

1. SPECIFICATIONS.

No.	Item	Unit	Specification
1	Operating Voltage	VDC	4.0 ~ 28
2	Rated Voltage	VDC	24
3	Current Consumption	mA	Max .25
4	Sound Pressure	dB	Min 80 @ 30cm
5	Resonant Frequency	Hz	2900 +/- 500
6	Tone		Slow Pulse
7	Operating Temperature	C	-20 to +60
8	Storage Temperature	C	-30 to + 80
9	Terminal		Plate
10	Material		ABS
11	Environmental		RoHS
12	Weight	g	35

2. DIMENSIONS.

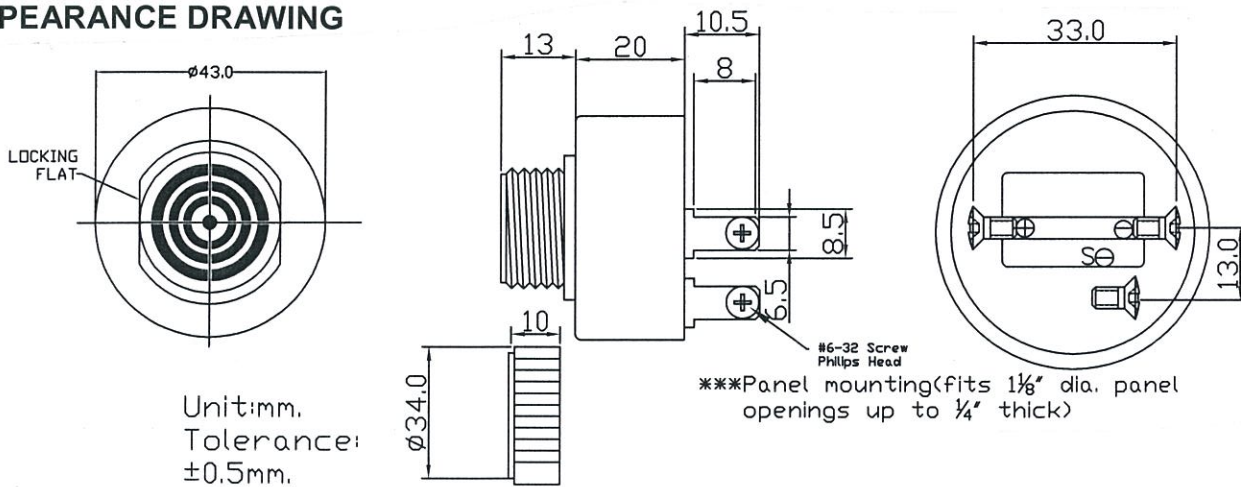


SCOPE: This specification applies to Piezo Buzzer, **TRIP-655SA**

SPECIFICATIONS

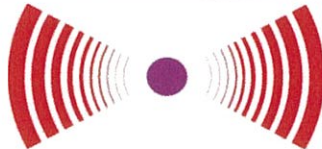
No.	Item	Unit	Specification	Condition
1	Oscillating frequency	Hz	2900 +/- 500	
2	Operating voltage	VDC	6 ~ 28	
3	Current consumption	mA	12	@ 12VDC
4	Sound pressure level	dB	Min 95	@ 30cm
5	Rated Voltage	VDC	12	
6	Tone		Continuous & Fast	
7	Operating Temp	C	-20 ~ +60	
8	Storage Temperature	C	-30 ~ +70	
9	Weight	g	36	
10	Environmental		RoHS	

APPEARANCE DRAWING



Unit:mm.
Tolerance:
 ± 0.5 mm.

Transducers USA
Confidential and Proprietary



Transducers USA
1400 Howard Street
Elk Grove, IL 60007
Toll Free: 888-921-6400 FAX: 847-956-1950
www.tusainc.com info@tusainc.com

All dimensions are in MM unless otherwise specified

Drawing Number:

TRIP-655SA

Panel Mount Piezo Buzzer

Date:

1/23/2006

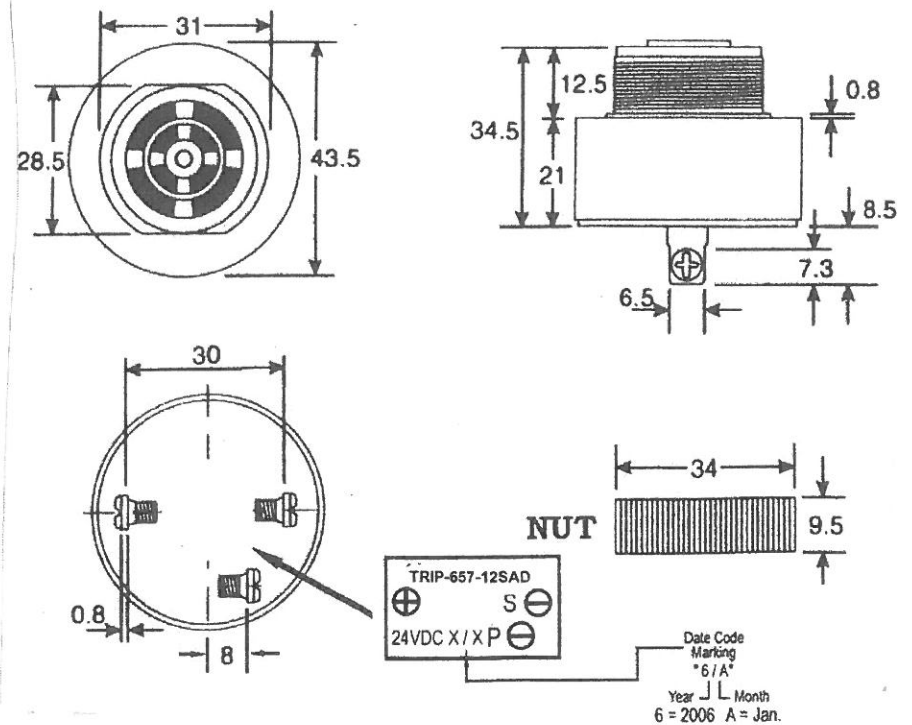
THE INFORMATION DISCLOSED HEREIN WAS ORIGINATED BY AND IS THE PROPERTY OF TRANSDUCERS USA, INC. AND EXCEPT FOR USE EXPRESSLY GRANTED TO THE UNITED STATES GOVERNMENT, TRANSDUCERS USA, INC. RESERVES ALL PATENT PROPRIETARY DESIGN, USE, SALE, MANUFACTURING AND PRODUCTION RIGHTS THERETO. THIS DOES NOT APPLY TO VENDOR

SCOPE: This specification applies to Piezo Buzzer, TRIP-657-12SAD

SPECIFICATIONS

No.	Item	Unit	Specification	Condition
1	Operating Voltage	VDC	4.0 ~ 16.0	
2	Rated Voltage	VDC	12	
3	Max Rated Current	mA	25.0 / 20.0	Value applying at rated voltage
4	Sound Pressure Level	dB	95 / 90	at 30cm Rated Voltage 12VDC
5	Resonant Frequency	Hz	2900 +/- 500	Value applying at rated voltage
6	Tone		Dual Continuous / Slow	
7	Operating Temp	C	-20 to + 60	
8	Housing		ABS	
9	Terminal		Screw type	
10	Weight Max	g	35	

APPEARANCE DRAWING

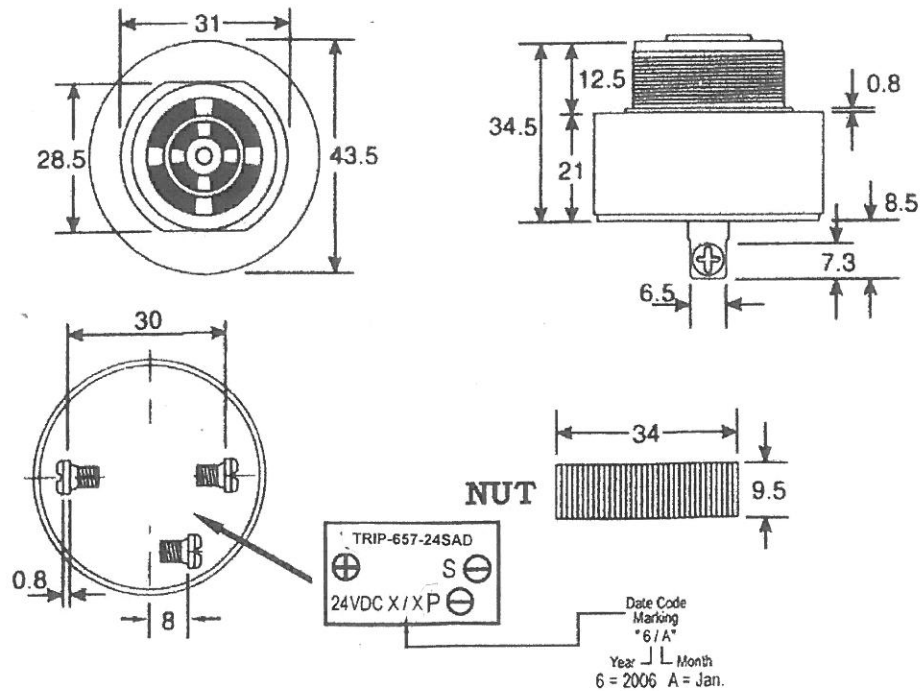


SCOPE This specification applies to Piezo Buzzer, TRIP-657-24SAD

SPECIFICATIONS

No.	Item	Unit	Specification	Condition
1	Operating Voltage	VDC	4 ~ 28	
2	Rated Voltage	VDC	24	
3	Max Rated Current	mA	30.0 / 20.0	Value applying at rated voltage
4	Sound Pressure Level	dB	85 / 80	at 30cm Rated Voltage 24VDC
5	Resonant Frequency	Hz	2900 +/- 500	Value applying at rated voltage
6	Tone		Dual Continuous / Slow	
7	Operating Temp	C	-20 to + 60	
8	Housing		ABS	
9	Terminal		Screw type	
10	Weight Max	g	35	

APPEARANCE DRAWING

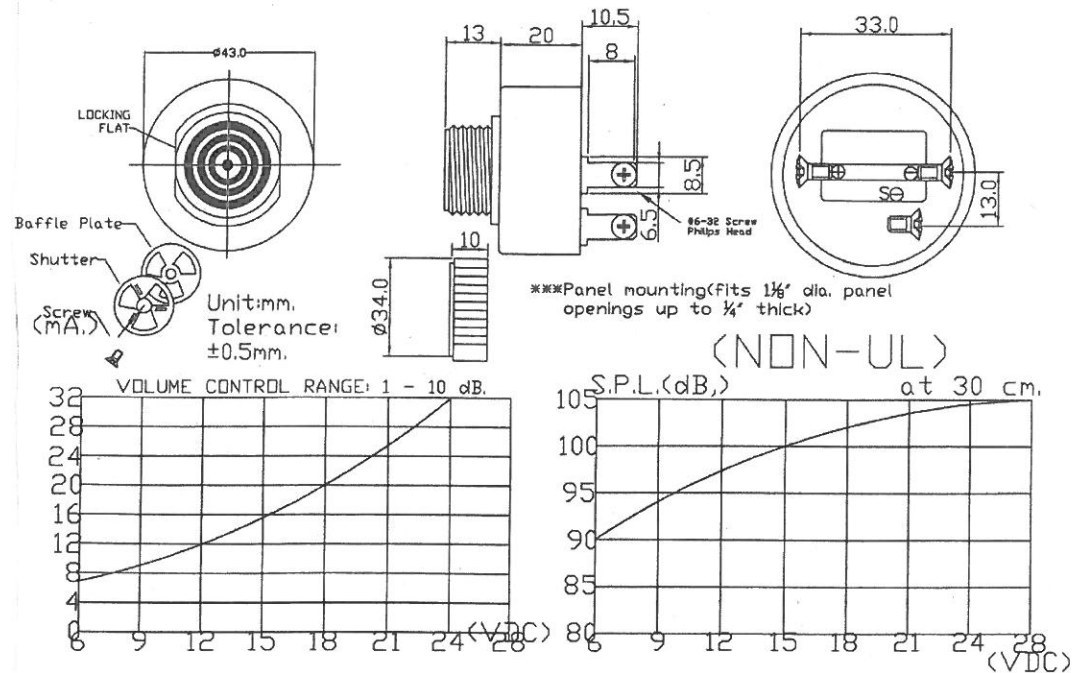


SCOPE This specification applies to Piezo Buzzer, TRIP-657SAS

SPECIFICATIONS:

No.	Item	Unit	Specification
1	Sound Pressure @30cm	dB	98
2	Rated voltage	VDC	24
3	Operating Voltage	VDC	6 ~ 28
4	Oscillating Frequency	Hz	2800 +/- 500
5	Max current @ 24VDC	mA	26
6	Tone		Continuous / Slow Pulse
7	Operating Temperature	C	-20 to +60
8	Storage Temperature	C	-30 to + 70
9	Material		ABS
10	Environmental		RoHS
11	Weight	g	40

DIMENSIONS / SOUND CHART:

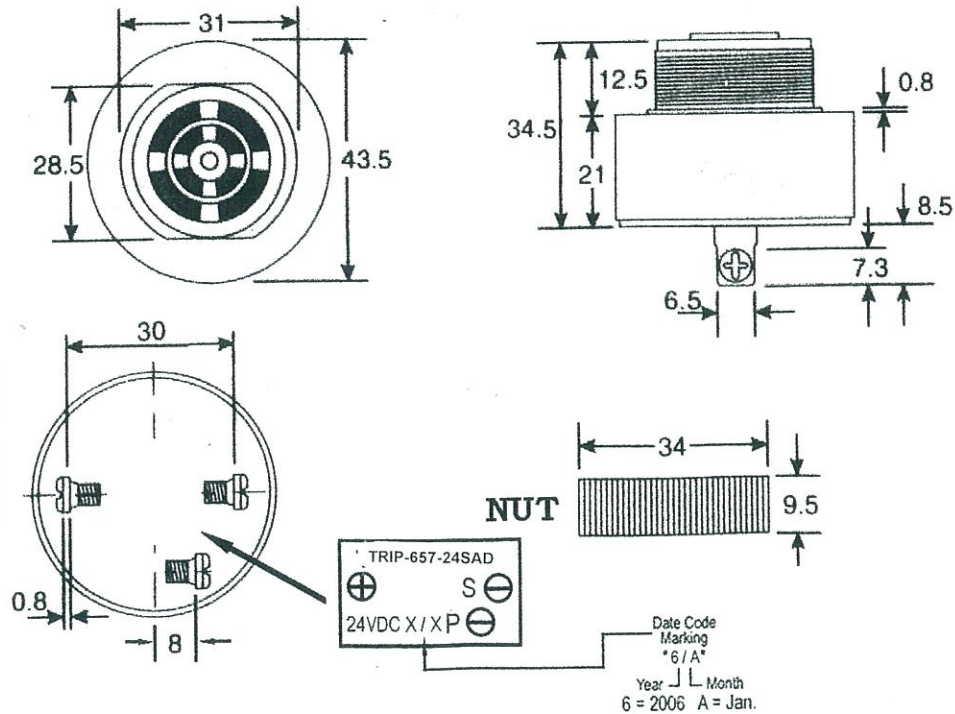


SCOPE: This specification applies Piezo Element **TRIP-657-24SAD**

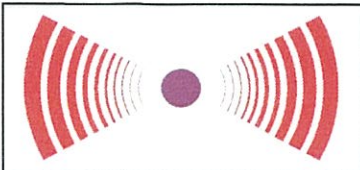
SPECIFICATIONS.

No.	Item	Unit	Specification	Condition
1	Operating Voltage Range	VDC	4.0 ~ 28	
2	Rated Voltage	VDC	24	
3	Max Operating current	mA	30.0 / 20.0	Value applying rated voltage
4	Sound Pressure Level	dBA	Min 85 / 80	30cm at rated voltage
5	Resonant Frequency	Hz	2900 +/-500	
6	Tone		Dual Continuous / Slow	
7	Operating Temp	C	-20 ~ +60	
8	Housing		ABS	
9	Terminal		Screw	
10	Weight	g	35	

DIMENSIONS.



Transducers USA
Confidential and Proprietary



Transducers USA
1400 Howard Street
Elk Grove, IL 60007
Toll Free: 888-921-6400 FAX: 847-956-1950
www.tusainc.com info@tusainc.com

All dimensions are in MM unless otherwise specified

Drawing Number:

TRIP-657-24SAD

Piezo Buzzer
1 of 2

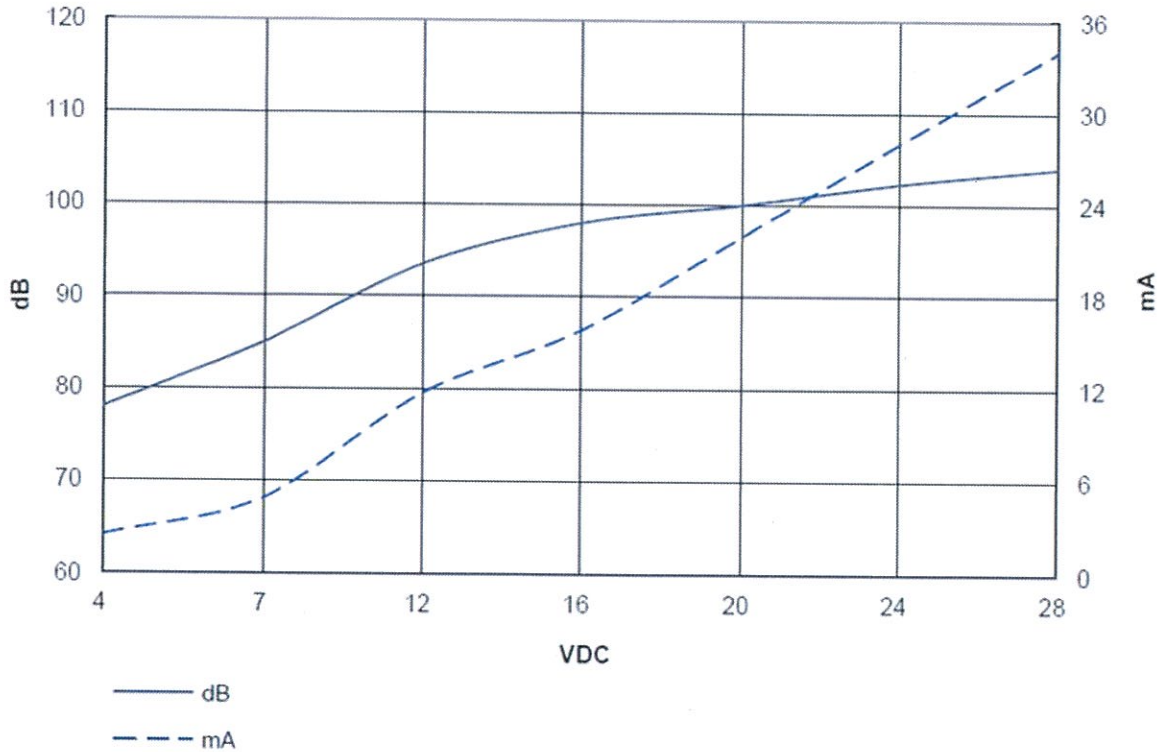
Date:

12/17/2015

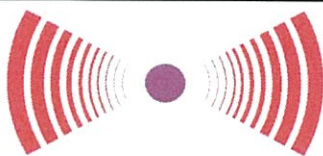
THE INFORMATION DISCLOSED HEREIN WAS ORIGINATED BY AND IS THE PROPERTY OF TRANSDUCERS USA, INC. AND EXCEPT FOR USE EXPRESSLY GRANTED TO THE UNITED STATES GOVERNMENT, TRANSDUCERS USA, INC. RESERVES ALL PATENT PROPRIETARY DESIGN, USE, SALE, MANUFACTURING AND PRODUCTION RIGHTS THERETO. THIS DOES NOT APPLY TO VENDOR

SOUND CURVE

Single Tone



Transducers USA
Confidential and Proprietary



Transducers USA
1400 Howard Street
Elk Grove, IL 60007
Toll Free: 888-921-6400 FAX: 847-956-1950
www.tusainc.com info@tusainc.com

All dimensions are in MM unless otherwise specified

Drawing Number:

TRIP-657-24SAD

**Piezo Buzzer
2 of 2**

Date:

12/17/2015

THE INFORMATION DISCLOSED HEREIN WAS ORIGINATED BY AND IS THE PROPERTY OF TRANSDUCERS USA, INC. AND EXCEPT FOR USE EXPRESSLY GRANTED TO THE UNITED STATES GOVERNMENT, TRANSDUCERS USA, INC. RESERVES ALL PATENT PROPRIETARY DESIGN, USE, SALE, MANUFACTURING AND PRODUCTION RIGHTS THERETO. THIS DOES NOT APPLY TO VENDOR