

# PF 65.000 | PFA 60.000

## ECOOL FILTERFAN | EXHAUST FILTER 480–505 m³/h



- installation size 6, air flow rate up to 505 m³/h
- three performance classes, cut-out compatible
- system of protection IP 54 and IP 55, NEMA type 12
- UL, cUL approval
- UV-resistance (IP 55 version)
- cut-out compatible with installation size 6 from the 3rd Generation and with cooling unit DTFI 9021

PRODUCT		PF 65.000		
ARTICLE NO.	IP 54	11665102055	11665152055	Unit
ARTICLE NO.	IP 55	11665103055	11665153055	

DATA				
Rated voltage ±10 %		AC 50   60 Hz		
		230	115	V
Unimpeded airflow	IP 54	480   480		m³/h
	IP 55	505   505		
Airflow rate in comb. with exhaust filter	IP 54	370   370		
	IP 55	380   380		
Power consumption		80   100	75   90	W
Current consumption		0.35   0.45	0.66   0.8	A
Noise level according to EN ISO 3741		54   52		dB (A)
Weight		3.2		kg
Type of connection		spring-type terminal		
Fuse		6		A
System of protection according to EN 60529 / UL 50	IP 54	NEMA type 12 - standard filter		
	IP 55	NEMA type 12 - fluted filter		
Filtration efficiency	IP 54	91		%
	IP 55			
Filter mat quality class according to EN 779	IP 54	G 4		
	IP 55			
Duty cycle		100		%
Bearing type		ball bearing		
Service life L <sub>10</sub> (+ 40 °C) <sup>1</sup>		40000		h
Temperature range		-40 ... +55   -40 ... +131		°C   °F
Design (housing and protection against accidental contact)	IP 54	made of injection-moulded thermoplastic, self-extinguishing, UL 94 V0		
	IP 55	additional: UV-resistant		
Colour		RAL 7035   different colours available on request		

ACCESSORIES		ARTICLE NUMBER
Exhaust filter	gray	11760002055
Exhaust filter	black	11760002050
Spare filter mats	5 pieces	18611600033
Thermostat		17121000000
Hygrostat		17207000000
Rainhood in stainless steel		18102000020

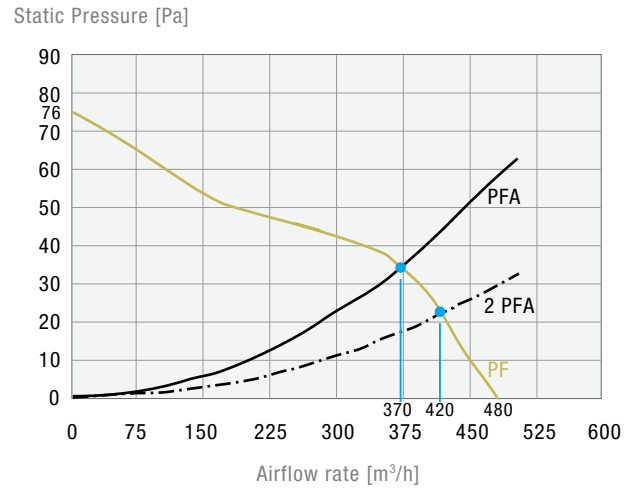
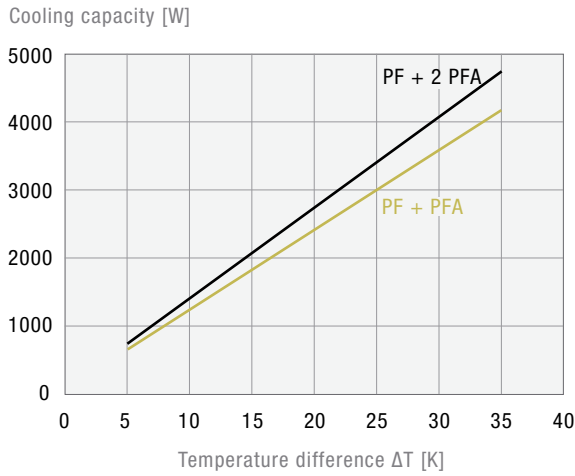
For additional models, options and voltages visit [www.pfannenber.com](http://www.pfannenber.com) or contact us directly.

<sup>1</sup> fan failure is defined as being when the current and speed deviate or the operating noises are out of the ordinary

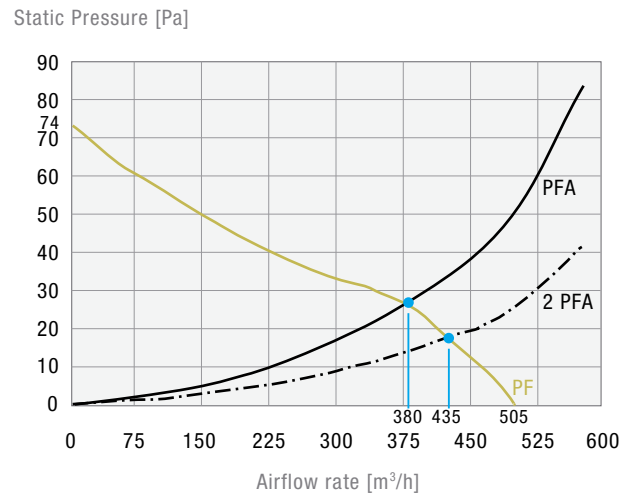
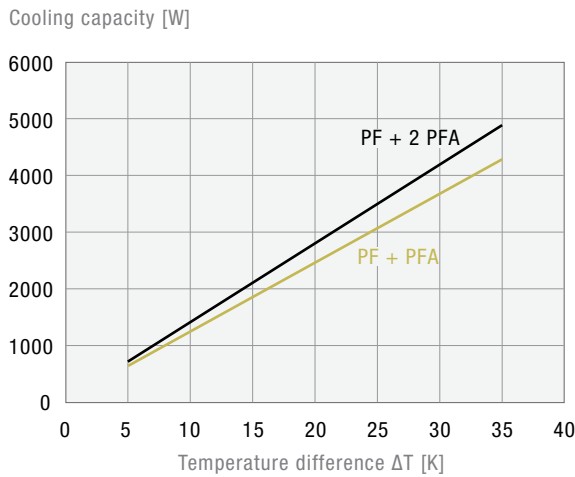
Cooling capacity performance curves

Static pressure performance curve

**PF 65.000 IP 54**

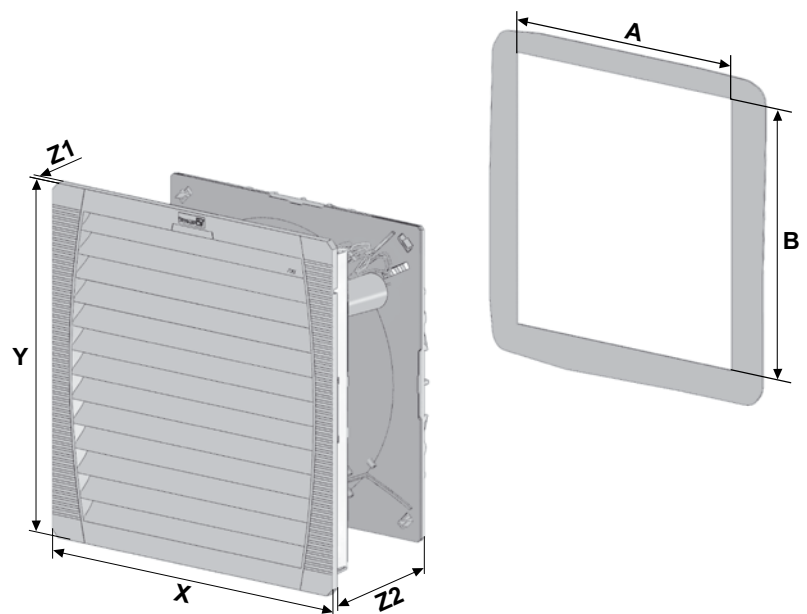


**PF 65.000 IP 55**



Dimensions

mm	PF 65.000	PFA 60.000
X	320	320
Y	320	320
Z1	7	7
Z2	150	39
A <sup>1</sup>	291	291
B <sup>1</sup>	291	291



<sup>1</sup> for material thicknesses up to 2 mm  
+ 1 mm for thickness of material > 2 mm ≤ 3 mm