

PWS Series Air/Water Heat Exchangers

Installation, Operation and Service Manual

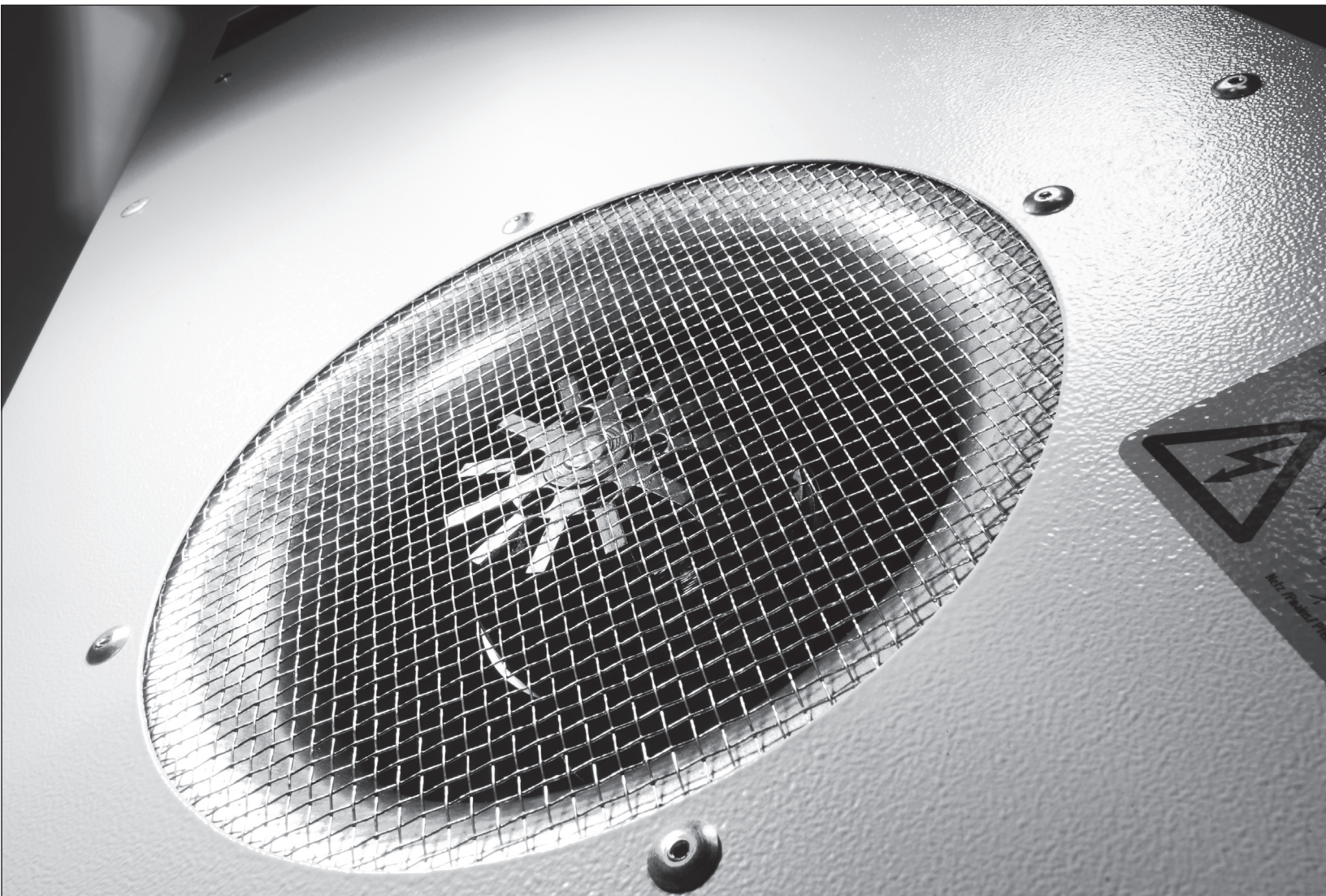


TABLE OF CONTENTS

SECTION 1: HOW TO USE THIS MANUAL1

SECTION 2: RECEIVING INSPECTION2

2.1 Unpacking2

2.2 Included Items2

2.3 Review of ID Plate2

SECTION 3: HANDLING3

3.1 Transporting3

3.2 Storage3

SECTION 4: INSTALLATION3

4.1 Pre-installation testing3

4.2 Installation onto the electrical panel3

4.3 Power connection4

4.4 Cooling Water Connection4

4.5 Condensation Water Connection4

4.6 Door Contact5

SECTION 5: OPERATING CONDITIONS6

5.1 Requirements6

5.2 Theory of Operation6

SECTION 6: UNIT START-UP7

6.1 General7

6.2 Setting the Operating Parameters7

**6.2.1 Units with Water (Solenoid) Valve
and Thermostat7**

6.2.2 Units without Water Valve and Thermostat ..7

SECTION 7: MAINTENANCE8

SECTION 8: TROUBLESHOOTING8

SECTION 9: DESIGN DATA8

9.1 Water Quality Notes8

9.2 SCCR Determination10

SECTION 10: WARRANTY INFORMATION 12

SECTION 1: HOW TO USE THIS MANUAL

This manual contains information on the installation and operation of PWS Series bolt-on cooling units intended to be door and side mounted on electrical panels.

These devices are designed to dissipate heat from sealed electrical panel enclosures and housings. The temperature of the cooling liquid supplied to the air/water heat exchanger must be at least 10° C colder than the heat exchanger inlet air temperature in order to ensure that the unit function correctly.

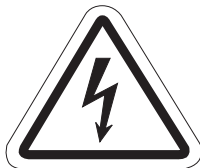
Conventions used:

Hint: A hint contains additional information on the action or instruction being described

WARNING!

If the information following this is not strictly followed there is a danger to health or life.

WARNING!



If the information following this is not strictly followed there is a danger to health or life due to electrical shock.

The technical data specific to each cooling unit, including installation connections and operational data, are contained on a separate data sheet supplied with each unit.

SECTION 2: RECEIVING INSPECTION

2.1 Unpacking

Prior to and during unpacking the cooling unit, visually inspect it to determine if any damage has occurred during shipping. Make sure that it does not contain any loose components. Before discarding any packaging materials: Look for loose parts, dented or scratched panels or fluids.

If any damage is noted it shall be reported immediately to the delivering carrier and a claim should be filed with them. Pfannenbergl cannot accept responsibility for freight damage that may occur; we will assist you in any way possible if the need arises to file a claim.

In case of a warranty claim, the following information is required: exact details of the fault (including photographs, if possible), the cooling unit part number and serial number are required.

2.2 Included Items

The following items should be included:
 Cooling unit
 Mounting cutout
 Manual
 Technical Data Sheet

PWS Series accessory pack typically includes:

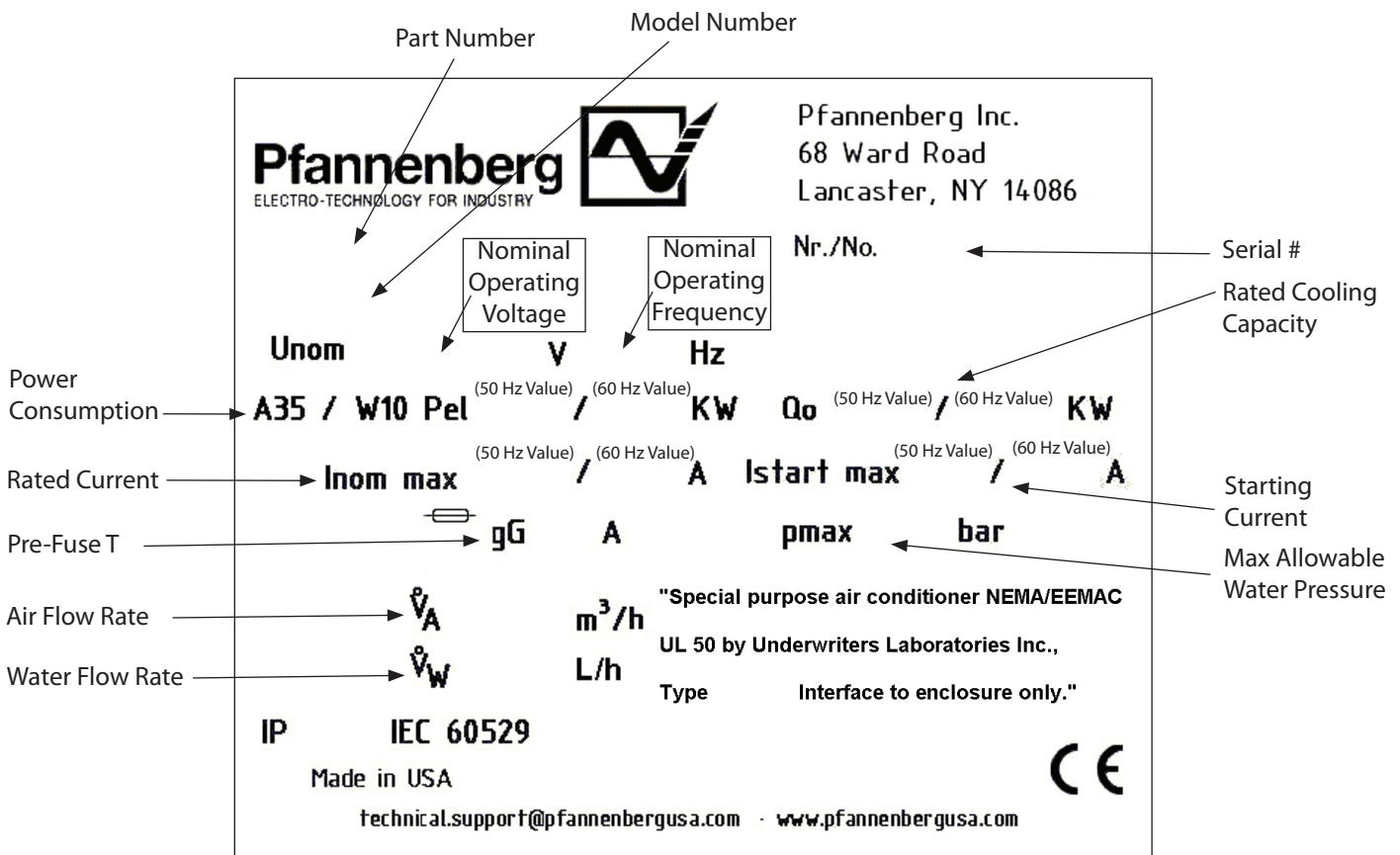
- Sealing strips
- Threaded mounting studs
- Mounting bolts, nuts and washers
- Condensate hose (PWS 7k series only)
- Door contact connector/jumper

2.3 Review of ID Plate

The ID plate is located on the left side of the cooling unit. The technical data specific to the cooling unit is located *on the ID plate as shown below*.

⚠ WARNING!

Burrs caused by production may be present on the metal edges of the cooling unit. Always wear protective gloves when carrying out installation or maintenance work.



SECTION 3: HANDLING

3.1 Transporting

The cooling unit shall only be moved in the fully assembled condition.

If the cooling unit is being shipped with an electrical panel enclosure it shall be packed separately from the electrical enclosure.

3.2 Storage

The cooling unit shall not be exposed to temperatures exceeding +70°C.

If the device is stored or transported at temperatures below freezing, the water circuit must be completely emptied using compressed air.

⚠ WARNING!

Failure to observe these requirements will void the warranty.

SECTION 4: INSTALLATION

4.1 Pre-installation testing

Before mounting the cooling unit to the electrical panel enclosure it should be tested to verify function.

Note: All devices are checked for leaks before leaving the factory.

We recommend installing a door contact switch to turn the device off when the electrical panel enclosure door is opened.

4.2 Installation onto the electrical panel

Before connecting the cooling unit to the power supply, verify that the following are correct:

Voltage must be within $\pm 10\%$ of the value listed on the ID plate.

Voltage frequency must be within ± 3 Hz of the value listed on the ID plate

Ambient temperature must be below +55°C (for options see "setting the operating parameters" section)

Place the drilling template supplied with the cooling unit onto the applicable mounting surface of the electrical panel enclosure.

⚠ WARNING!

Metal chips from drilling and cutting the openings may damage the electrical panel enclosure. Take precautions required to prevent chips and debris from getting into the enclosure.

⚠ WARNING!

Watch out for sharp edges created when drilling and/or cutting the enclosure.

Drill holes in the electrical panel enclosure to match the unit and cut out air flow openings.

Install the two supplied stud bolts (in the accessory pack) into the top two mounting hole locations of the cooling unit.

⚠ WARNING!

Please note the information on the “Thread Reach for Set Screw” label attached to the cooling unit. If the noted installed thread depth is exceeded the cooling unit may be damaged.

Install the cooling unit mounting insulation strips (in the accessory pack) to the cooling unit as noted on the individual cooling unit information sheet. Make sure that the insulation strips are correctly attached and placed correctly on the cooling unit. The correct fitting and location of the insulation strips is required for the proper operation of the cooling unit.

Attach the cooling unit to the electrical panel enclosure by use of the stud bolts inserted as described above.

⚠ WARNING!

Do not move the cooling unit by the piping. Doing so will damage the cooling unit and void the warranty.

The cooling unit is then completely attached to the electrical panel enclosure from inside the enclosure by use of the screws and washers supplied in the accessory pack.

Tighten the fasteners until the cooling unit insulation strips are compressed to a thickness of 2 mm (approximately .080”)

Install Drain hose barb (provided in accessory bag for PWS 3k series only) then attach the condensate drainage hose to the drain.

Reinstall the cover using the original mounting screws.

4.3 Power connection

⚠ WARNING!



Make sure that the main power supply to the cooling unit is turned off while making the power connections.

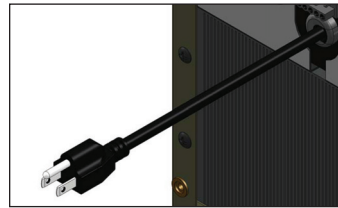
The cooling unit power supply shall be fused as indicated on the unit ID plate by means of a series connected power line connection.

All power connections and / or repairs, if or when required, shall only be carried out by authorized, trained electricians.

Power supply connection

PWS 7K series provide a molded cord suitable for the rated voltage of the unit.

PWS 3k series have hard wire terminal



(PWS 7K series only)

Both the main power supply voltage and frequency shall correspond to the nominal values shown on the cooling unit ID plate.

Connect the main power supply to the cooling unit as indicated by the label located on the cooling unit and on the individual cooling unit data sheet.

⚠ WARNING!

During installation, service technician must verify and mark voltage as connected on service cover warning sticker.

4.4 Cooling Water Connection

PWS 7K series uses Teflon[®]tape and brass fittings. Use flexible pressure-resistant (>10bar) hose for the cooling water connection and secure properly with clamps.

PWS 3K series has multiple options for connections, a barb is provided for use with flexible pressure-resistant hose and clamp.

Observe flow direction (labels on the device located next to the water connections) Check for leaks. Protect the water circuit against contamination and excessive pressure (please refer to the “Water Quality Notes” section. The maximum permissible operating pressure is 10 Bar.

SECTION 4: INSTALLATION CON'T

4.5 Condensation Water Connection

Drainage hose must be secured in place with clamps. To ensure reliable drainage of condensation water, please note the following:

The drain hose shall not be kinked. Hose cross-section must not be constricted in any way. The drainage hose must slope in the right direction.

To avoid excessive condensation water amounts, please note the following:

Adjust the cooling water temperature to the cooling performance required.

Only use the device on sealed electrical panels and housings.

Set the desired temperature only as low as is really necessary (to avoid the cooled air from dropping below the dewpoint).

4.6 Door Contact

To avoid an increased production of condensate and for safety reasons a door limit switch should be connected to the terminals provided.

WARNING!

No external voltage may be applied to the door contact circuit or damage to the cooling unit may result.

In order to prevent any interference from outside signals, it is recommended that a shielded cable with a twisted pair leads be used for the connection. The cable shielding can be connected on one side to the PE (ground) connection point provided on the cooling unit.

If the use of a shielded cable is not possible, the cable that is used must not be routed in the immediate vicinity of potential sources of interference such as power supply lines, components with a relatively high electromagnetic emission (EMI), etc.

If no door contact switch is used, the connecting terminals must be jumpered for the cooling unit to operate.

SECTION 5: OPERATING CONDITIONS

5.1 Requirements

Before connecting the cooling unit to the power supply, verify that the following are correct. Voltage must be within $\pm 10\%$ of the value listed on the ID plate.

Voltage frequency must be within ± 3 Hz of the value listed on the ID plate

Ambient temperature must be below $+55^{\circ}\text{C}$ (for options see Section 6.5)

Make sure that the airflow inside of the electrical panel enclosure is not restricted by internal components.

⚠ WARNING!

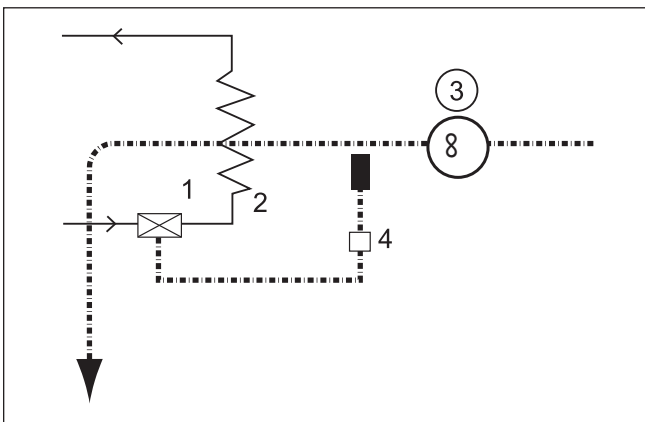
If the cooling unit is being mounted on the door of the electrical panel enclosure, it must be confirmed that the door hinges can support the additional weight of the cooling unit and that the electrical panel enclosure is securely fastened so that the panel enclosure will not topple over.

5.2 Theory of Operation

The cooling units are available in two options:

- A.) With Water (solenoid) Valve and Thermostat
- B.) Without Water Valve and Thermostat

A.) With Water (solenoid) Valve and Thermostat



- 1 Water Valve (solenoid)
- 2 Heat Exchanger (condensor)
- 3 Fan
- 4 Thermostat with Temperature Sensor

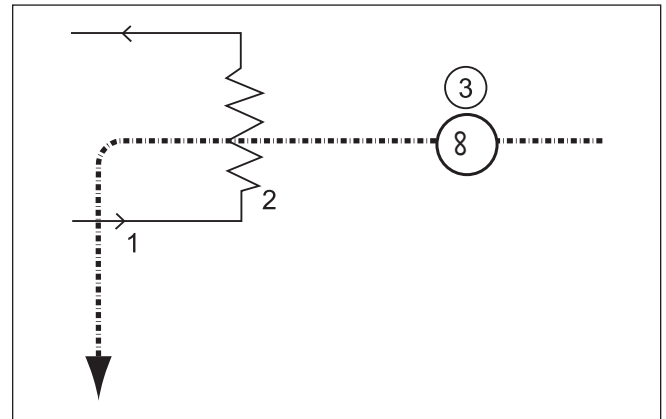
The water valve (1) controls if water is allowed to flow through the cooling unit.

As the water flows through the heat exchanger (2) it absorbs the heat from air in the electrical panel enclosure while also dehumidifying it. This process lowers the temperature of the air in the electrical panel enclosure.

This is accomplished by the fan (3) pulling in the hot air from the electrical panel enclosure and pushing it through the heat exchanger (2) and back into the electrical panel enclosure at a lower temperature.

The cooling unit (with water valve and thermostat) is electronically controlled. To accomplish this a temperature sensor monitors the temperature inside the electrical panel enclosure and regulates the function of the water valve.

B.) Without Water Valve and Thermostat



- 1 Water Inlet
- 2 Heat Exchanger (condensor)
- 3 Fan

The flow of water through the unit is regulated by a control system provided by the user outside of the cooling unit.

As the water flows through the heat exchanger (2) it absorbs the heat from air in the electrical panel enclosure while also dehumidifying it. This process lowers the temperature of the air in the electrical panel enclosure.

This is accomplished by the fan (3) pulling in the hot air from the electrical panel enclosure and pushing it through the heat exchanger (2) and back into the electrical panel enclosure at a lower temperature.

SECTION 6: UNIT START-UP

6.1 General

The cooling unit is equipped with an temperature control system. The temperature of the air pulled in from the electrical panel enclosure into the cooling unit is measured by a temperature sensor.

! WARNING!

Ambient conditions and temperatures in the electrical panel must be in accordance with the values indicated in the cooling unit information sheet.

! WARNING!

Unit must be operated with the cover installed. Unit can not cool properly when cover is not in place.

6.2 Setting the Operating Parameters

6.2.1 Units with Water (Solenoid) Valve and Thermostat

The cooling unit fan runs continuously.

The solenoid valve controls cooling water flow according to the internal temperature setting in the switch cabinet.

The desired internal temperature of the switch cabinet is set using the thermostat. Factory setting is at 35°C / 95°F. Adjustment range min. 8°C / 46.4°F - max. 50°C / 122°F.

Electrical panel enclosure internal temperature > the desired value set using the thermostat

Solenoid valve open Coolant flows.

Electrical panel enclosure internal temperature < the desired value set using the thermostat .

Solenoid valve shut coolant does not flow.

If door contact is opened then the unit cycles off.

Temperature Monitoring

If the internal temperature of the electrical panel enclosure deviates more than 10° C from the desired value set (factory setting 35°C / 95°F) using the

thermostat then the zero potential two-way switch is triggered.

This switch is wired to the terminal strip.

Wiring diagram
(Technical sheet)
(Wiring diagram on device)

6.2.2 Units without Water Valve and Thermostat

The cooling unit fan runs continuously.

The cooling water flow is controlled centralized water flow control supplied by the customer.

The door contact cycles the unit on / off. The door contact output notifies of an open door condition.

SECTION 7: MAINTENANCE

Pfannenbergl air/water heat exchangers are maintenance-free.

Use of a water filter is essential if the cooling water is contaminated. Please refer to the "Water Quality Notes" section.

Check the condensation water drainage equipment at regular intervals.

SECTION 8: TROUBLESHOOTING

Condensation water drainage out of the electrical panel enclosure must be ensured when the device is installed.

To prevent frost damage the temperature in the water circuit must not fall below the minimum permissible water temperature of +1°C anywhere in the system.

If the device is stored or transported at temperatures below freezing the water circuit must be completely emptied using compressed air.

SECTION 9: DESIGN DATA

Please refer to the cooling unit individual technical data sheets for the following:

Dimensional Data
Mounting Cutout
Circuit Diagrams

9.1 Water Quality Notes

The following guidelines must be complied with to ensure safe and reliable operation of air/water heat exchangers.

Cooling water should not contain any sedimentation, should be of low hardness (low carbon hardness in particular), especially for re-cooling. However, it should not be so soft that it corrodes material/s used in the exchanger.

When recycling cooling water the saline content due to evaporation of larger quantities of water must not be too high (increasing concentrations of dissolved substances increase electrical conductivity, resulting in the water becoming more corrosive).

Constantly remove some enriched water and replace it with an equal amount of fresh water.

Water containing gypsum is unsuitable for cooling, as it tends to cause scale deposits, which are very hard to remove.

Cooling water should be iron- and manganese-free (deposits leading to piping blockage may otherwise result). Organic substances (sludge and microbiological contaminants) should only be present in the water in very small amounts.

Common contamination forms and remedies

Water Contamination	Remedy
Mechanical contamination	Filter water using - Sieve filters - Gravel filters - Cartridge filters -Pre-coated filters
Excessive hardness	Soften water using ion exchange
Moderate mechanical contaminant and hardness promoting substance content	Treat water using stabilisers or dispersants
Moderate chemical contaminant content	Treat water using passivation media and / or inhibitors
Biological contamination - sludge bacteria, algae	Treat water with biocides

The characteristics of any additives or system water ought not to deviate greatly from the hydrological data given below.

Hydrological Data		Model: Standard	Device Model: VA
pH value		7 - 8.5	6 - 9
Carboxylic Acid	°dH	> 3 < 8	1 - 12
Free carbonic acid	mg/dm ³	8 - 15	1 - 100
Associated carbonic acid	mg/dm ³	8 - 15	not present
Corrosive carbonic acid	mg/dm ³	0	0 - 400
Sulphides		not present	not present
Oxygen	mg/dm ³	< 10	< 10
Chloride ions	mg/dm ³	< 50	< 200
Sulphate ions	mg/dm ³	< 250	< 500
Nitrates and nitrites	mg/dm ³	< 10	< 100
CSB	mg/dm ³	< 7	< 40
Ammonia	mg/dm ³	< 5	< 20
Iron	mg/dm ³	< 0.2	not present
Manganese	mg/dm ³	< 0.2	not present
Conductivity	mS/cm	< 2200	< 4000
Evaporation residue	mg/dm ³	< 500	< 2000
Potassium permanganate consumption	mg/dm ³	< 25	< 40
Suspended matter	mg/dm ³	< 3 > 3	< 15 split-stream cleansing recommended > 15 constant cleaning recommended

9.2 SCCR Determination

Article 409 of the 2005 National Electric Code (NFPA 70) requires Industrial Control Panels (electrical panel enclosures) to be marked with a short circuit current rating. As specified in the National Electric Code, the Standard for Industrial Control Equipment, UL508A-2001, Supplement SB, provides an accepted method for determining the short circuit current rating of the control panel. The link to spreadsheets provide guidance for industrial control panel manufacturers who purchase the discreet components and assemble combination

motor controllers within their panels to achieve a combination short circuit rating that is higher than the lowest rated individual component.

Using the technical data sheet and the information on the cooling unit ID plate, identify the full load current conditions for the appropriate voltage. The installation of the cooling unit should be calculated as a dedicated branch circuit for determining the SCCR value. All selections should be evaluated based on the current UL standards for UL508a.

Table 1

Room cooling units rated-Load Current, Amperage																	
Single Phase ³								3 Phase ³				50 KA		100 KA		200 KA	
110 - 120 V		200 - 208 V		220 - 240 V		254 - 277 V		440 - 480 V		Peak Let-thru Current ²	Max Fuse ¹	$I_p \times 10^3$	Max Fuse ¹	$I_p \times 10^3$	Max Fuse ¹	$I_p \times 10^3$	
9.9	16.0	5.4	8.8	5.0	8.0	6.65	Less	1.8	Less	1000	15	50 KA		n/a		n/a	
16.1	34.0	8.9	18.6	8.1	17.0	---	---	---	---	2000	30	50 KA	15	100 KA		n/a	
---	---	---	---	---	---	---	---	Over	1.8	5000	15	50 KA	30	100 KA	30	200 KA	

¹ Maximum CC class Fuse size that can achieve this branch circuit SCCR value. Smaller values may be used and still achieve equal rating.
² Circuit capacity amperes based on UL 484 table 52.1
³ Individual units running amperes can be obtained on each unit's technical data sheet.

Example 2: DTS 35xx 460V units has a 5KA IR value based on UL 484 table 52.1 (see Table 1) and the amp draw of the unit. If a 15amp Class CC current limiting feeder circuit is used in combination with the DTS35xx 460V unit, the maximum allowable I_{peak} of the 15 amp Class CC fuse at an available RMS fault current of 200 kA is 1700 amps (figure 2). This value does not exceed the allowable I_{peak} of this unit based on UL SCCR value of Table 52.1. Therefore, the individual branch circuit SCCR value of this series combination can support 200 kA IR. (See figure 1.)

Figure 2

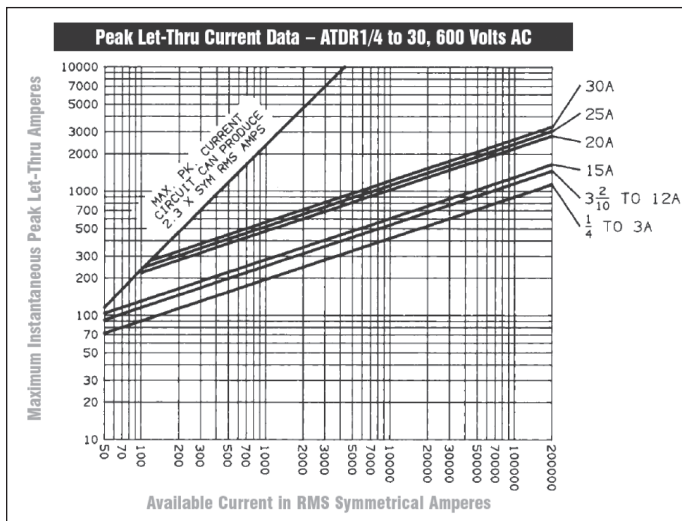
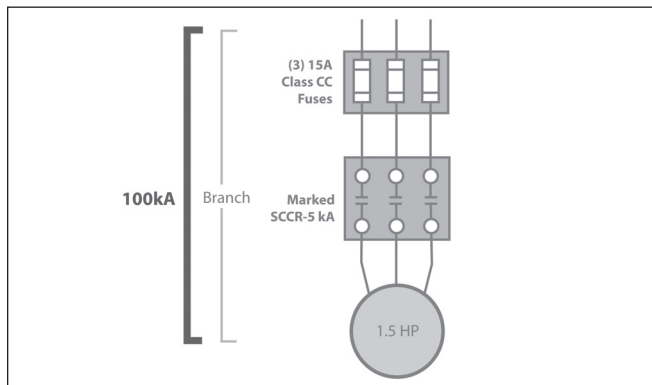


Figure 1**Option 1: UL 508a reference SB4.2**

According to UL508A Supplement SB, if a panel contains no current-limiting devices, its SCCR depends on the “weakest” or lowest rated component or combination within the panel. However, Supplement SB also states that if current-limiting fuses are used in the feeder circuit, and if the highest instantaneous current reached during the first half cycle of a fault is less than or equal to the lowest rated SCCR in any branch circuit, the SCCR of the current limiting fuse can be applied to the combination.

When the specified branch circuit protection related to the high fault short circuit current rating is a Class CC,G,J,L,RK1, RK5 or T fuse, a fuse of a different class is able to be used at the same high fault rating where the peak let through current and I^2t of the new fuse is not greater than that of the specified fuse.

Option 2: UL 508a reference SB4.3

An alternate method of achieving a high short circuit rating is by applying a power transformer with an isolated secondary winding, the short circuit current rating on the line side of the transformer shall be one of the following:

For a power transformer rated not more than 10 kVA, and where the short circuit current rating of all components in the secondary circuit are not less than 5kA, the short circuit current rating of the primary overcurrent protective device is able to be assigned to the line side of the power transformer circuit.

For a power transformer rated not more than 5kVA and a 120V maximum secondary voltage, and where the short circuit current rating of all components in the secondary circuit are not less than 2kA, the short circuit rating of the primary overcurrent protective device is able to be assigned to the line side of the power transformer circuit.

Option 3: UL 508a reference SB4.2

The combinations listed in the linked spreadsheets (www.ul.com/control/equipment/shortcircuit.html) may be applied in a manufacturer’s Listed industrial control panel without further evaluation or specific documentation in the manufacturer’s UL Procedure pages.

The spreadsheets cover the application of individual components, including a disconnecting means, an over current protective device, motor controller and motor overload protection, as a combination motor controller having specified ratings, including a short-circuit current rating (SCCR). Each of the individual components is Listed or Recognized to the requirements in the applicable component Standard.

The specified ratings for the combination motor controller may be applied to the end-product equipment only when all of the specific components listed are provided in the end-product equipment and installed according to any applicable conditions of acceptability.

Components other than those identified in the combination motor controller and connected in the power circuit of the combination motor controller will require additional evaluation.

SECTION 10: WARRANTY INFORMATION

(WARRANTY IS VALID FOR 1 YEAR)

Warranty becomes null and void:

In case of improper usage of the unit, noncompliance with operating conditions or nonobservance of instructions the warranty becomes null and void.

If operated in rooms in which corrosives or acids are present in the atmosphere.

In case of damage caused by contaminated or jammed air filters.

If a non-authorized person interrupts the cooling circulation, modifies the unit or changes the serial number.

In case of damage caused by transport or by accidents.

For the exchange of parts by non-authorized companies.

In order to maintain your warranty rights please observe the following when returning the unit.

Enclose an exact description of the fault in the shipping package.

Enclose proof of delivery (delivery note or copy of invoice).

Return the unit together with all accessories; use the original packaging or packaging of equivalent quality, send the unit freight prepaid and covered by an adequate transport insurance.



Pfannenberg Incorporated
68 Ward Road, Lancaster, New York 14086
Phone: 716-685-6866
Fax: 716-681-1521
email: sales@pfannenbergusa.com
www.pfannenbergusa.com



8 8 5 4 0 8 0 1 0